

Motorcycle Pads Products Range

| Part Number | SCOOTER | | ROAD / OFF ROAD | | OFF ROAD | | ROAD | | RACING | |
|-------------|---------|------|-----------------|-------|-------------|----------------|-------|------|--------|---|
| | ORG. | ORG. | SINT. | SINT. | ORG. SILOX. | SINT. RAC. AC. | CP211 | XRAC | | |
| FDB88 | | | | ✓ | | | | | | |
| FDB108 | | | | ✓ | | | ✓ | | | |
| FDB119 | | | | ✓ | | | | | | |
| FDB132 | | | | ✓ | | | | | | |
| FDB134 | | | | ✓ | | | | | | |
| FDB148 | | | | ✓ | | | ✓ | | | |
| FDB150 | | | | ✓ | | | | | | |
| FDB151 | | | | ✓ | | | ✓ | | | |
| FDB155 | | | | ✓ | | | | | | |
| FDB177 | | | | ✓ | | | | | | |
| FDB178 | | | | ✓ | | | | | | |
| FDB181 | | | | ⚠ | | | | | | |
| FDB182 | | | | ✓ | | | | | | |
| FDB183 | | | | ✓ | | | | | | |
| FDB184 | | | | ✓ | | | | | | |
| FDB185 | | | | ✓ | | | | | | |
| FDB204 | | | | ✓ | | | | | | |
| FDB205 | | | | ✓ | | | | | | |
| FDB207 | ✓ | | ✓ | ✓ | ✗ | | ✓ | | | |
| FDB213 | | | | ✓ | | | | | | |
| FDB217 | | | | ✓ | | | | | | |
| FDB218 | | | | ✓ | | | ⚠ | | | |
| FDB220 | | | | ✓ | | | ✓ | | | |
| FDB244 | | | | ✓ | | | ✓ | | | |
| FDB247 | | | | ✓ | | | | | | |
| FDB250 | ✓ | | ✓ | ✓ | | | | | | |
| FDB277 | | | | ✓ | | | | | | |
| FDB298 | | | | ✓ | | | | | | |
| FDB299 | | | | ✓ | | | | | | |
| FDB310 | | | | ✓ | | | | | | |
| FDB311 | | | | ✓ | | | | | | |
| FDB312 | | | | ✓ | | | ✓ | | | |
| FDB313 | ✓ | | ✓ | ✓ | | | ✓ | | | |
| FDB314 | | | | ✓ | | | ✓ | | | |
| FDB333 | | | | ✓ | | | | | | |
| FDB334 | | | | ✓ | | | | | | |
| FDB335 | | | | ✓ | | | | | | |
| FDB337 | | | | ✓ | | | ✓ | | | |
| FDB338 | | | | ✓ | | | ✓ | | | |
| FDB339 | | | | ✓ | | | ✓ | | | |
| FDB342 | | | | ✓ | | | ⚠ | | | |
| FDB352 | | | | ✓ | | | ✓ | | | |
| FDB381 | | | | ✓ | | | ✓ | | | |
| FDB382 | | | | ✓ | | | ✓ | | | |
| FDB383 | ✓ | | ✓ | ✓ | | | ✓ | | | |
| FDB384 | | | | ✓ | | | | | | |
| FDB386 | | | | ✓ | | | ✓ | | | |
| FDB389 | | | | ✓ | | | ✓ | | | |
| FDB390 | | | | ✓ | | | | | | |
| FDB404 | | | | ✓ | | | | | | |
| FDB411 | | | | ✓ | | | | | | |
| FDB436 | | | | ✓ | | | | | | |
| FDB437 | | | | ✓ | | | | | | |
| FDB438 | ✓ | | ✓ | ✓ | | | | | | |
| FDB449 | | | | ✓ | | | ✓ | | | |
| FDB452 | | | | ✓ | | | ✓ | | | |
| FDB462 | | | | ✓ | | | ✓ | | | |
| FDB475 | ✓ | | | | | | | | | |
| FDB481 | | | | ✓ | | | ✓ | | | |
| FDB485 | | | | ✓ | | | | | | |
| FDB494 | | | | ✓ | | | | | | |
| FDB495 | | | | ✓ | | | ✓ | | | |
| FDB496 | | | | ✓ | | | ✓ | | | |
| FDB497 | ✓ | | ✓ | ✓ | | | ✓ | | | |
| FDB498 | | | | ✓ | | | ✓ | | | ✓ |
| FDB499 | | | | ✓ | | | | | | |

| Part Number | SCOOTER | | ROAD / OFF ROAD | | OFF ROAD | | ROAD | | RACING | |
|-------------|---------|------|-----------------|-------|-------------|----------------|-------|------|--------|--|
| | ORG. | ORG. | SINT. | SINT. | ORG. SILOX. | SINT. RAC. AC. | CP211 | XRAC | | |
| FDB508 | | | | ✓ | | | | | | |
| FDB529 | | | | ✓ | | | | | | |
| FDB531 | | | | ✓ | | | | | | |
| FDB533 | | | | ✓ | | | | | ✓ | |
| FDB538 | | | | ✓ | | | ⚠ | | | |
| FDB539 | | | | ✓ | | | ✓ | | | |
| FDB557 | | | | ✓ | | | ✓ | | ✓ | |
| FDB569 | | | | ✓ | | | ✓ | | | |
| FDB570 | | | | ✓ | | | ✓ | | ✓ | |
| FDB574 | | | | ✓ | | | ✓ | | ✓ | |
| FDB583 | | | | ✓ | | | | | | |
| FDB591 | | | | ✓ | | | | | | |
| FDB592 | | | | ✓ | | | | | | |
| FDB605 | | | | ✓ | | | ✓ | | ✓ | |
| FDB606 | | | | ✓ | | | | | | |
| FDB607 | | | | ✓ | | | | | | |
| FDB624 | | ✓ | | | | | | | | |
| FDB625 | | ✓ | | | | | | | | |
| FDB631 | | ✓ | | ✓ | | | ✓ | | | |
| FDB636 | | ✓ | | ✓ | | | | | | |
| FDB637 | | ✓ | | ✓ | | | ✓ | | | |
| FDB659 | | ✓ | | ✓ | | | ✓ | | | |
| FDB661 | | ✓ | | ✓ | | | | | | |
| FDB662 | | ✓ | | ✓ | | | ⚠ | | | |
| FDB663 | | ✓ | | ✓ | | | ✓ | | | |
| FDB664 | | ✓ | | ✓ | | | ✓ | | | |
| FDB665 | | ✓ | | ✓ | | | ✓ | | | |
| FDB666 | | ✓ | | ✓ | | | ✓ | | | |
| FDB672 | | ✓ | | | | | | | | |
| FDB673 | | ✓ | | ✓ | | | | | | |
| FDB677 | | ✓ | | ✓ | | | | | | |
| FDB680 | | ✓ | | ✓ | | | ✓ | | | |
| FDB694 | | ✓ | | ✓ | | | ✓ | | | |
| FDB695 | | ✓ | | ✗ | | | | | | |
| FDB696 | | ⚠ | | | | | | | | |
| FDB697 | | ✓ | | | | | | | | |
| FDB698 | | ✓ | | ✓ | | | | | | |
| FDB706 | | ✓ | | ✓ | | | | | | |
| FDB731 | | ✓ | | ✓ | | | | | | |
| FDB736 | | ✓ | | | | | ✓ | | | |
| FDB737 | | ✓ | | ✓ | | | | | | |
| FDB741 | | ✓ | | ✓ | | | | | | |
| FDB754 | | ✓ | | ✓ | | | ✓ | | | |
| FDB781 | | ✓ | | ✓ | | | ✓ | | | |
| FDB782 | | ✓ | | ✓ | | | | | | |
| FDB783 | | ✓ | | | | | | | | |
| FDB784 | | ✓ | | | | | | | | |
| FDB828 | | ✓ | | ✓ | | | ✓ | | | |
| FDB847 | | ✓ | | ✓ | | | | | | |
| FDB858 | | ✓ | | ✓ | | | ✓ | | | |
| FDB864 | | ✓ | | ✓ | | | | | | |
| FDB865 | | ⚠ | | | | | | | | |
| FDB873 | | ✓ | | ✓ | | | ✓ | | ✓ | |
| FDB887 | | ✓ | | ✓ | | | | | | |
| FDB889 | | ✓ | | ✓ | | | ✓ | | | |
| FDB892 | | ✓ | | ✓ | | | ✓ | | | |
| FDB2001 | | ✓ | | ✓ | | | ✓ | | | |
| FDB2002 | | ✓ | | ✓ | | | ✓ | | | |
| FDB2003 | ✓ | | | ✓ | | | ✓ | | | |
| FDB2005 | | ✓ | | ✓ | | | ✓ | | | |
| FDB2006 | | ✓ | | ✓ | | | ✓ | | | |
| FDB2007 | | ⚠ | | ✓ | | | | | ✓ | |
| FDB2008 | | ✓ | | ✓ | | | | | | |
| FDB2012 | | ⚠ | | ✓ | | | ✓ | | | |
| FDB2013 | | ✓ | | ✓ | | | | | | |
| FDB2014 | | ✓ | | ✓ | | | | | | |

| Part Number | SCOOTER | | ROAD / OFF ROAD | | OFF ROAD | | ROAD | | RACING | |
|-------------|---------|------|-----------------|-------|-------------|----------------|-------|------|--------|--|
| | ORG. | ORG. | SINT. | SINT. | ORG. SILOX. | SINT. RAC. AC. | CP211 | XRAC | | |
| FDB2015 | | | | ✓ | | | | | | |
| FDB2016 | | | | ✓ | | | | | | |
| FDB2017 | | | | ✓ | | | | | | |
| FDB2018 | | | | ✓ | | | ✓ | | | |
| FDB2033 | | | | ✓ | | | | | | |
| FDB2034 | | | | ✉ | | | | | | |
| FDB2036 | | | | ✓ | | | ✓ | | ✉ | |
| FDB2037 | ✓ | | | | | | | | | |
| FDB2039 | | | | ✓ | | | ✓ | | | |
| FDB2040 | | | | ✓ | | | ✓ | | | |
| FDB2041 | | | | ✓ | | | | | | |
| FDB2042 | | | | ✓ | | | ✓ | | ✓ | |
| FDB2048 | | | | ✓ | | | ✓ | | ✓ | |
| FDB2049 | | | | ✓ | | | ✓ | | ✓ | |
| FDB2050 | | | | ✓ | | | ✓ | | ✓ | |
| FDB2054 | | | | ✓ | | | | | | |
| FDB2055 | | | | ✓ | | | | | | |
| FDB2056 | | ✓ | | | | | | | | |
| FDB2057 | | ✓ | | | | | | | | |
| FDB2058 | | ✓ | | ✓ | | | | | | |
| FDB2060 | | ✓ | | ✓ | | | | | | |
| FDB2062 | | ✓ | | ✓ | | | | | | |
| FDB2073 | | ✓ | | ✓ | | | ✓ | | | |
| FDB2074 | | ✓ | | ✓ | | | ✓ | | | |
| FDB2075 | | ✓ | | ✓ | | | ✓ | | | |
| FDB2079 | | ✓ | | ✓ | | | ✓ | | ✓ | |
| FDB2080 | | | | ✓ | | | | | | |
| FDB2081 | | ✓ | | | | | | | | |
| FDB2083 | | ✓ | | ✓ | | | ✓ | | | |
| FDB2084 | | ✓ | | ✓ | | | ✓ | | | |
| FDB2085 | 4 | ✓ | | ✓ | | | ✓ | | | |
| FDB2086 | | ✓ | | ✓ | | | | | | |
| FDB2087 | | ✓ | | ✓ | | | | | | |
| FDB2090 | | ✓ | | ✓ | | | | | | |
| FDB2091 | | ✓ | | ✓ | | | | | | |
| FDB2095 | | ✓ | | ✓ | | | | | | |
| FDB2096 | | ✓ | | ✓ | | | | | | |
| FDB2097 | | ✓ | | ✓ | | | ✓ | | | |
| FDB2098 | | ✓ | | ✓ | | | ✓ | | | |
| FDB2099 | | ✓ | | ✓ | | | | | | |
| FDB2100 | | ✓ | | ✓ | | | | | | |
| FDB2101 | | ✓ | | ✓ | | | | | | |
| FDB2102 | | ✓ | | ✓ | | | ✓ | | | |
| FDB2103 | | ✓ | | ✓ | | | | | | |
| FDB2105 | | ✓ | | ✓ | | | | | | |
| FDB2106 | | ✓ | | ✓ | | | | | | |
| FDB2107 | | ✓ | | ✓ | | | | | | |
| FDB2108 | | ✓ | | ✓ | | | | | | |
| FDB2109 | | ✓ | | ✓ | | | ✓ | | | |
| FDB2110 | | ✓ | | ✓ | | | ✓ | | | |
| FDB2111 | | ✓ | | ✓ | | | ✓ | | | |
| FDB2113 | | ✓ | | ✓ | | | ✓ | | | |
| FDB2114 | | ✓ | | ✓ | | | ✓ | | ✓ | |
| FDB2115 | | ✓ | | ✓ | | | | | | |
| FDB2119 | | ✓ | | ✓ | | | ✓ | | | |
| FDB2120 | 4 | | | ✓ | | | ✓ | | ✓ | |
| FDB2121 | | | | ✓ | | | | | | |
| FDB2122 | | | | ✉ | | | | | | |
| FDB2123 | | | | ✓ | | | | | ✓ | |
| FDB2124 | | ✓ | | ✓ | | | ✓ | | | |
| FDB2125 | | ✓ | | ✓ | | | ✓ | | | |
| FDB2126 | | ✓ | | ✓ | | | ✓ | | | |
| FDB2127 | | | | ✓ | | | | | | |
| FDB2128 | | ✓ | | ✓ | | | | | | |
| FDB2129 | | ⚠ | | ⚠ | | | | | | |
| FDB2130 | | ✓ | | ✓ | | | | | | |

Motorcycle Pads Products Range

| Part Number | SCOOTER | | ROAD / OFF ROAD | | OFF ROAD | | ROAD | | RACING | |
|-------------|---------|------|-----------------|-------|-------------|----------------|------|--|--------|--|
| | ORG. | ORG. | SINT. | SINT. | ORG. SILOX. | SINT. RAC. AC. | | | | |
| | PADS | AG | P | SG | ST | CP211 | XRAC | | | |
| FDB2132 | | ✓ | | | ⚠ | | | | | |
| FDB2133 | | ✓ | | | ✓ | | | | | |
| FDB2136 | | | | | ✓ | | | | | |
| FDB2139 | | | ✓ | | ✓ | | | | | |
| FDB2140 | | ✓ | | | | | | | | |
| FDB2141 | 4 | ✓ | | | ✓ | | | | | |
| FDB2142 | | ✓ | | | | ✓ | | | | |
| FDB2143 | | | | | ✓ | | | | | |
| FDB2144 | | | ✓ | | | ✓ | | | ✓ | |
| FDB2145 | | | | | | ✓ | | | ✓ | |
| FDB2146 | | | ✓ | | | | | | | |
| FDB2147 | | ✓ | | | | | | | | |
| FDB2148 | | ✓ | | | ✓ | | | | | |
| FDB2149 | | | | | ✓ | | | | | |
| FDB2150 | | | | | | ✓ | | | | |
| FDB2153 | 4 | | ✓ | | | | | | | |
| FDB2154 | 4 | | ✓ | | | | | | | |
| FDB2156 | | | ✓ | | ⚠ | | | | | |
| FDB2157 | | | | | ✓ | | | | | |
| FDB2158 | | | | | ✓ | | | | | |
| FDB2162 | | | ✓ | | ✓ | | | | | |
| FDB2163 | | | | | ✓ | | | | | |
| FDB2164 | 4 | | | | ✓ | | | | ✓ | |
| FDB2165 | | | ✓ | | ✓ | | | | | |
| FDB2166 | 4 | | | | | | | | ✓ | |
| FDB2167 | | | | | | | | | ✓ | |
| FDB2168 | | | | | | | | | ✓ | |
| FDB2169 | | ✓ | ✓ | | | | | | | |
| FDB2170 | | | ✓ | | | | | | | |
| FDB2171 | | | ✓ | | | | | | | |
| FDB2173 | | | | | ✓ | | | | | |
| FDB2175 | | | | | ✓ | | | | | |
| FDB2176 | | | | | ✓ | | | | | |
| FDB2177 | | | | | | | | | | |
| FDB2178 | | | | | ✓ | | | | ✓ | |
| FDB2179 | | | ✓ | | ✓ | | | | | |
| FDB2180 | | | ✓ | | ✓ | | | | | |
| FDB2181 | | | | | ✓ | | | | ✓ | |
| FDB2182 | | | | | ✓ | | | | | |
| FDB2183 | | | | | ✓ | | | | | |
| FDB2184 | | | ✓ | | ✓ | | | | | |
| FDB2185 | | | ✓ | | | | | | | |
| FDB2186 | | ✓ | | | | | | | | |
| FDB2187 | | ✓ | | | | | | | | |
| FDB2188 | | | | | ✓ | | | | | |
| FDB2189 | | | | | ✓ | | | | | |
| FDB2190 | | ✓ | | | | | | | | |
| FDB2191 | | ✓ | | | | | | | | |
| FDB2192 | | ✓ | | | | | | | | |
| FDB2193 | | | | | ✓ | | | | | |
| FDB2194 | | | ⚠ | | | | | | | |
| FDB2195 | | | | | ✓ | | | | | |
| FDB2196 | | ✓ | | | ✓ | | | | | |
| FDB2197 | | | | | ✓ | | | | | |
| FDB2198 | | | | | ✓ | | | | | |
| FDB2200 | | | ✓ | | | | | | | |
| FDB2201 | | | | | ✓ | | | | | |
| FDB2202 | | | ✓ | | ✓ | | | | | |
| FDB2203 | 4 | | | | | | | | ✓ | |
| FDB2204 | | | | | | | | | ✓ | |
| FDB2205 | | | | | | | | | ✓ | |
| FDB2206 | | | ✓ | | | | | | | |
| FDB2207 | | ✓ | | | | | | | | |
| FDB2208 | | ✓ | | | | | | | | |
| FDB2209 | | | | | | | | | ✓ | |
| FDB2210 | | | ✓ | | ✓ | | | | | |

| Part Number | SCOOTER | | ROAD / OFF ROAD | | OFF ROAD | | ROAD | | RACING | |
|-------------|---------|------|-----------------|-------|-------------|----------------|------|---|--------|---|
| | ORG. | ORG. | SINT. | SINT. | ORG. SILOX. | SINT. RAC. AC. | | | | |
| | PADS | AG | P | SG | ST | CP211 | XRAC | | | |
| FDB2211 | | ✓ | | | | | | | | |
| FDB2212 | | ✓ | | | | | | | | |
| FDB2213 | | | ✓ | | | | | ✓ | | |
| FDB2214 | | | | | ⚠ | | | | | |
| FDB2215 | 4 | | | | | | | | | ✓ |
| FDB2216 | | | ✓ | | | | | ✓ | | |
| FDB2217 | 4 | | | | | | | ✓ | | ✓ |
| FDB2218 | | | | | | | | ✗ | | ✓ |
| FDB2219 | | | | | ✓ | | | | | |
| FDB2220 | 4 | | | | | | | ✓ | | ✓ |
| FDB2221 | | | ✓ | | | | | ✓ | | |
| FDB2224 | | | ✓ | | | | | | | |
| FDB2225 | | ✓ | | | | | | | | |
| FDB2226 | | ✓ | | | | | | | | |
| FDB2228 | | | | | | | | | | ✓ |
| FDB2230 | | | | | ✓ | | | | | |
| FDB2231 | | | | | ✓ | | | | | |
| FDB2232 | | | | | ✓ | | | | | |
| FDB2233 | | | | | ✓ | | | | | |
| FDB2235 | | | | | ✓ | | | | | |
| FDB2236 | | | | | ✓ | | | | | |
| FDB2238 | | ✓ | ✓ | | | | | | | |
| FDB2240 | 4 | | | | | | | ✓ | | ✉ |
| FDB2242 | | ✓ | ✓ | | | | | | | |
| FDB2243 | | | ⚠ | | ✓ | | | | | |
| FDB2244 | 4 | | | | | | | ✓ | | ✉ |
| FDB2245 | | | | | | | | ✓ | | |
| FDB2248 | | ✓ | | | | | | | | |
| FDB2250 | | | | | | | | ✓ | | |
| FDB2251 | | | | | | | | ✓ | | |
| FDB2252 | | | | | | | | ✓ | | ✓ |
| FDB2253 | | | | | | | | ✓ | | |
| FDB2254 | | ✓ | | | | | | | | |
| FDB2255 | 4 | | | | | | | ✓ | | ✓ |
| FDB2256 | | ✓ | | | | | | | | |
| FDB2257 | | | | | ✓ | | | | | |
| FDB2258 | | | | | | | | ✓ | | |
| FDB2259 | 4 | | | | | | | ✓ | | |
| FDB2260 | | | | | | | | ✓ | | |
| FDB2262 | | | | | ✓ | | | | | |
| FDB2263 | | | | | ✓ | | | | | |
| FDB2264 | | ✓ | | | | | | | | |
| FDB2265 | | | | | | | | ✓ | | |
| FDB2266 | | | | | | | | ✓ | | |
| FDB2267 | | | | | ✓ | | | | | |
| FDB2268 | | | ✓ | | | | | | | |
| FDB2270 | | | ✓ | | | | | | | |
| FDB2271 | | | | | | | | | | |
| FDB2272 | | | | | | | | | | |
| FDB2273 | | | | | | | | | | |
| FDB2274 | | | | | | | | | | |
| FDB2275 | | | | | | | | | | |
| FDB2276 | | | | | | | | | | |
| FRP213 | | | ✓ | | | | | | | |
| FRP405 | | ✓ | ✓ | | ✓ | | | ✓ | | |
| FRP408 | | | ✓ | | | | | ✓ | | ✓ |
| FRP410 | | | ✓ | | | | | | | |
| FRP415 | | | ✓ | | | | | | | |
| FRP416 | | | ✓ | | | | | | | |

- ✓ Available
- ✗ Not Available
- ✉ In Introduction
- ⚠ Exhausting
- ✉ Make to order

ORG. = Organic
 SINT. = Sintered
 SINT. AC = Sintered Array Cooling
 ORG. SILOX = Organic Siloxane
 SINT. RAC. AC = Sintered Racing Array Cooling

Equivalent Ferodo Pad Shapes

| Part Number | Pads/Set | DIMENSIONS | ALSO AVAILABLE | | | | |
|-------------|----------|---|----------------|--------|---------|--------|-------------------|
| | | Length x Height x Thickness (mm) | Shape | Th. mm | Shape | Th. mm | Notes |
| FDB108 | | 56.0 x 55.0 x 9.0 mm | FDB148 | 7.6 | | | |
| FDB148 | | 56.0 x 55.0 x 7.6 mm | FDB108 | 9.0 | | | |
| FDB244 | | 90.0 x 49.0 x 10.5 mm | FDB538 | 9.0 | FDB665 | 11.0 | |
| FDB382 | | 81.0 x 42.0 x 7.3 mm | FDB2086 | 8.3 | FDB2119 | 9.0 | |
| FDB383 | | 71.0 x 36.0 x 9.4 mm | FDB475 | 8.0 | | | |
| FDB452 | | 88.1 x 46.1 x 8.5 mm | FDB663 | 9.8 | | | |
| FDB462 | | 81.2 x 42.0 x 8.0 mm | FDB2113 | 9.5 | | | |
| FDB475 | | 71.0 x 36.0 x 8.0 mm | FDB383 | 9.4 | | | |
| FDB531 | | 86.0 x 40.0 x 10.6 mm | FDB2258 | 8.9 | | | |
| FDB538 | | 90.0 x 49.0 x 9.0 mm | FDB244 | 10.5 | FDB665 | 11.0 | |
| FDB539 | | 75.1 x 36.1 x 9.7 mm | FDB672 | 9.1 | FDB783 | 7.6 | |
| FDB570 | | 102.0 x 39.0 x 8.3 mm | FDB664 | 9.8 | FDB2225 | 10.0 | |
| FDB637 | | 75.0 x 54.0 x 10.9 mm | FDB666 | 10.9 | | | |
| FDB659 | | 62.1 x 40.9 x 9.4 mm | FDB2270 | 7.1 | | | |
| FDB663 | | 88.1 x 46.1 x 9.8 mm | FDB452 | 8.5 | | | |
| FDB664 | | 102.1 x 39.1 x 9.8 mm | FDB570 | 8.3 | FDB2225 | 10.0 | |
| FDB665 | | 90.0 x 49.0 x 11.5 mm | FDB244 | 10.0 | FDB538 | 9.0 | |
| FDB666 | | 75.0 x 55.0 x 10.9 mm | FDB637 | 10.9 | | | |
| FDB672 | | 75.1 x 36.1 x 9.1 mm | FDB539 | 9.7 | FDB783 | 7.6 | |
| FDB677 | | 94.0 x 42.0 x 7.5 mm / 77.0 x 42.0 x 7.5 mm | FDB2106 | 7.6 | | | |
| FDB783 | | 75.1 x 36.1 x 7.6 mm | FDB539 | 9.7 | FDB672 | 9.1 | |
| FDB873 | | 90.0 x 52.0 x 8.0 mm | FDB2144 | 9.9 | | | |
| FDB2007 | | 78.0 x 41.0 x 8.7 mm | FDB2123 | 10.0 | | | |
| FDB2040 | | 69.4 x 51.1 x 7.9 mm | FDB2041 | 11.0 | | | |
| FDB2041 | | 69.4 x 51.1 x 11.0 mm | FDB2040 | 7.9 | | | |
| FDB2042 | | 75.2 x 55.2 x 9.4 mm | FDB2099 | 7.6 | | | |
| FDB2075 | | 115.6 x 41.0 x 9.4 mm | FDB2098 | 8.3 | | | |
| FDB2079 | | 74.0 x 55.1 x 9.0 mm | FDB2114 | 7.1 | | | |
| FDB2086 | | 81.4 x 42.2 x 8.3 mm | FDB382 | 7.5 | FDB2119 | 9.0 | |
| FDB2098 | | 115.6 x 41.0 x 8.3 mm | FDB2075 | 9.4 | | | |
| FDB2099 | | 75.2 x 55.2 x 7.6 mm | FDB2042 | 9.4 | | | |
| FDB2106 | | 94.6 x 42.0 x 7.6 mm / 77.1 x 42.1 x 7.6 mm | FDB677 | 7.5 | | | |
| FDB2113 | | 81.2 x 42.0 x 9.5 mm | FDB462 | 8.0 | | | |
| FDB2114 | | 74.0 x 55.1 x 7.1 mm | FDB2079 | 9.0 | | | |
| FDB2119 | | 81.3 x 42.1 x 9.4 mm | FDB382 | 7.5 | FDB2086 | 8.0 | |
| FDB2120 | 4 Pads | 35.2 x 39.7 x 7.6 mm | FDB2215 | 8.5 | | | |
| FDB2123 | | 77.8 x 40.8 x 10.0 mm | FDB2007 | 8.3 | | | |
| FDB2144 | | 90.0 x 52.0 x 9.9 mm | FDB873 | 8.0 | | | |
| FDB2164 | 4 Pads | 39.0 x 49.9 x 7.9 mm | FDB2203 | 9.3 | | | |
| FDB2178 | | 71.7 x 50.3 x 7.8 mm | FDB2204 | 9.3 | | | |
| FDB2181 | | 74.6 x 47.4 x 8.0 mm | FDB2205 | 9.0 | | | |
| FDB2196 | | 118.1 x 45.4 x 8.4 mm | FDB2211 | 9.0 | | | |
| FDB2203 | 4 Pads | 39.0 x 49.9 x 9.3 mm | FDB2164 | 7.9 | | | |
| FDB2204 | | 71.7 x 50.3 x 9.3 mm | FDB2178 | 7.8 | | | |
| FDB2205 | | 74.6 x 47.4 x 9.0 mm | FDB2181 | 8.0 | | | |
| FDB2211 | | 118.1 x 45.4 x 9.0 mm | FDB2196 | 8.4 | | | |
| FDB2215 | 4 Pads | 35.2 x 39.7 x 8.5 mm | FDB2120 | 7.6 | | | |
| FDB2218 | | 102.2 x 42.0 x 8.6 mm | FDB2260 | 7.5 | | | |
| FDB2258 | | 86.0 x 40.0 x 8.9 mm | FDB531 | 10.6 | | | |
| FDB2260 | | 102.2 x 42.0 x 7.5 mm | FDB2218 | 8.6 | | | |
| FDB2270 | | 62.1 x 40.9 x 7.1 mm | FDB659 | 9.4 | | | |
| FRP405 | | 36.1 x 45.1 x 6.0 mm | FDB2107 | | | | Replacing FDB2107 |



FERODO™

MOTORCYCLE PADS



Motorcycle Applications

FERODO®

MOTORCYCLE PADS



CC FROM → TO



NOTES



NOTES

ACCOSSATO

| | | | | | |
|---------------------------|-----|------|---|--------|--------|
| 50 CROSS | 50 | 2000 | → | FSB898 | FSB898 |
| 50 CROSS MINI | 50 | 1982 | → | FSB907 | FSB907 |
| 50 ENDURO | 50 | 2000 | → | FSB898 | FSB898 |
| 50 ENDURO CODICE | 50 | 1989 | → | FDB207 | FDB697 |
| CE 50 | 50 | 1987 | → | FDB207 | FDB697 |
| CR 50 CROSS COMPETIZIONE | 50 | 1984 | → | FSB898 | FSB898 |
| CR 50 ENDURO | 50 | 1984 | → | FSB898 | FSB898 |
| CR 50 ENDURO COMPETIZIONE | 50 | 1984 | → | FSB898 | FSB898 |
| 80 CROSS | 80 | 2000 | → | FSB898 | FSB898 |
| CE 80 | 80 | 1987 | → | FDB207 | FDB207 |
| CE 80 CROSS H 20 | 80 | 1984 | → | FSB904 | FSB898 |
| CE 80 ENDURO H 20 | 80 | 1984 | → | FSB904 | FSB898 |
| KR 80 | 80 | 1987 | → | FDB207 | FDB697 |
| CE 125 CROSS H 20 | 125 | 1984 | → | FSB904 | FSB898 |
| CE 125 ENDURO H 20 | 125 | 1984 | → | FSB904 | FSB898 |

ADLY

| | | | | | |
|------------------------|-----|------|---|--------|--------|
| Cat 50 | 50 | 1998 | → | FDB313 | FSB731 |
| Fox 50 / SILVER FOX 50 | 50 | 2000 | → | FDB383 | FSB731 |
| G-Shock 50 | 50 | 1998 | → | FDB313 | FSB731 |
| Jet 50 | 50 | 1996 | → | FDB636 | FSB731 |
| Pista 50 | 50 | 1996 | → | FDB636 | FSB731 |
| Predator 50 | 50 | 2000 | → | FDB636 | FSB731 |
| Super Sonic 50 | 50 | 2000 | → | FDB313 | FSB731 |
| Thunderbike 50 | 50 | 1997 | → | FDB313 | FSB731 |
| Cat 100 | 100 | 1998 | → | FDB313 | FSB731 |
| G-Shock 100 | 100 | 1998 | → | FDB313 | FSB731 |
| Jet 100 | 100 | 1996 | → | FDB636 | FSB731 |
| Predator 100 | 100 | 2000 | → | FDB636 | FSB731 |
| Cat 125 | 125 | 1998 | → | FDB313 | FSB731 |

AJP

| | | | | | |
|-------------------------|-----|------|--------|---------|---------|
| PR3 125 Enduro | 125 | 2008 | → 2011 | FDB2106 | FDB2109 |
| PR3 125 Enduro Pro | 125 | 2008 | → 2011 | FDB2106 | FDB2109 |
| PR3 125 Supermoto | 125 | 2008 | → 2011 | FDB2106 | FDB2109 |
| PR3 125 Supermoto Pro | 125 | 2010 | → 2011 | FDB2106 | FDB2109 |
| PR4 Enduro 125 | 125 | 2010 | → 2011 | FDB2106 | FDB384 |
| PR4 Enduro Pro 125 | 125 | 2010 | → 2011 | FDB2106 | FDB384 |
| PR4 Supermoto 125 | 125 | 2010 | → 2011 | FDB2106 | FDB384 |
| PR4 Supermoto Pro 125 | 125 | 2010 | → 2011 | FDB2106 | FDB384 |
| PR3 200 Enduro | 200 | 2008 | → 2011 | FDB2106 | FDB2109 |
| PR3 200 Enduro Pro | 200 | 2010 | → 2011 | FDB2106 | FDB2109 |
| PR3 200 M/X | 200 | 2010 | → 2011 | FDB2106 | FDB2109 |
| PR3 200 M/X Pro | 200 | 2010 | → 2011 | FDB2106 | FDB2109 |
| PR3 200 Supermotard Pro | 200 | 2010 | → 2011 | FDB2106 | FDB2109 |
| PR3 200 Supermoto | 200 | 2008 | → 2011 | FDB2106 | FDB2109 |
| PR4 200 Supermoto | 200 | 2010 | → 2011 | FDB2106 | FDB384 |
| PR4 200 Supermoto Pro | 200 | 2010 | → 2011 | FDB2106 | FDB384 |
| PR4 Enduro 200 | 200 | 2010 | → 2011 | FDB2106 | FDB384 |
| PR4 Enduro Pro 200 | 200 | 2010 | → 2011 | FDB2106 | FDB384 |
| PR5 250 Enduro | 250 | 2009 | → | FDB892 | FDB539 |
| PR5 250 Enduro | 250 | 2010 | → 2011 | FDB2242 | FDB539 |
| PR5 250 Supermoto | 250 | 2009 | → | FDB892 | FDB539 |
| PR5 250 Supermoto | 250 | 2010 | → 2011 | FDB2242 | FDB539 |

ALFER

| | | | | | |
|---------------|-----|------|--------|---------|---------|
| MC 80 | 80 | 1988 | → | FDB207 | FDB2107 |
| MC 80 CROSS | 80 | 1989 | → | FDB207 | FDB207 |
| MC 125 | 125 | 1987 | → | FDB207 | FDB207 |
| MC 125 | 125 | 1988 | → | FDB498 | FDB207 |
| AR 250 | 250 | 1992 | → | FDB499 | FDB314 |
| AR 250 | 250 | 1993 | → | FDB2018 | FDB314 |
| GR 250 ENDURO | 250 | 1985 | → 1987 | FDB207 | FDB207 |
| GR 250 ENDURO | 250 | 1988 | → | FDB498 | FDB207 |
| MC 250 | 250 | 1985 | → 1986 | FDB207 | |
| MC 250 | 250 | 1987 | → | FDB207 | FDB207 |
| MC 250 | 250 | 1988 | → | FDB498 | FDB207 |

* It is recommended that in those applications where sintered pads are supplied as Original Equipment, replacement pads should also be of sintered composition.

** To avoid brake imbalance sintered pads fitted in rear calipers should only be used in combination with front calipers containing sintered pads.

1000



CC FROM → TO



NOTES



NOTES

...ALFER

| | | | | | |
|--------------------|-----|------|--------|---------|---------|
| NO LIMITS 250 | 250 | 1995 | → | FDB2018 | FDB2005 |
| VR 250 | 250 | 1994 | → | FDB2018 | FDB314 |
| VR 250 ENDURO | 250 | 1995 | → | FDB2018 | FDB2005 |
| VR 250 MOTOCROSS | 250 | 1995 | → | FDB2018 | FDB2005 |
| VR 250 SUPERMOTARD | 250 | 1999 | → | FDB2018 | FDB2005 |
| GR 300 ENDURO | 300 | 1985 | → 1987 | FDB207 | FDB207 |
| GR 300 ENDURO | 300 | 1989 | → | FDB499 | FDB498 |
| TX 300 | 300 | 1990 | → | FDB2107 | FDB207 |

ANCILLOTTI

| | | | | | |
|------------|-----|------|---|--------|--------|
| PS 80 MX | 80 | 1983 | → | FSB898 | FSB898 |
| PST 125 MX | 125 | 1983 | → | FSB898 | FSB898 |
| PSV 250 MX | 250 | 1983 | → | FSB898 | FSB901 |

APRILIA

| | | | | | |
|---------------------------------|-----|------|--------|---------|---------|
| AF1 50 AE all models | 50 | 1987 | → | FDB697 | FDB694 |
| AF1 50 EUROPA | 50 | 1991 | → | FDB697 | FDB694 |
| AF1 50 FUTURA | 50 | 1990 | → | FDB697 | FDB694 |
| AMICO 50 | 50 | 1990 | → 1991 | FSB788 | FSB788 |
| AMICO 50 all models | 50 | 1992 | → | FDB680 | FSB788 |
| AREA 51 50 | 50 | 1998 | → | FDB680 | FDB680 |
| CLASSIC 50 | 50 | 1992 | → | FDB677 | FSB900 |
| ET 50 | 50 | 1984 | → 1986 | FSB907 | FSB803 |
| ET 50 AE | 50 | 1987 | → | FDB697 | FDB694 |
| ETX 50 | 50 | 1986 | → | FDB697 | FSB803 |
| GULLIVER 50 | 50 | 1995 | → 1998 | FDB680 | FSB788 |
| HABANA 50 all models | 50 | 1998 | → | FDB680 | FSB956 |
| MOJITO CUSTOM 50 | 50 | 2004 | → | FDB680 | |
| MX 50 | 50 | 2000 | → | FSB898 | FSB898 |
| MX 50 | 50 | 2003 | → | FDB677 | FDB694 |
| RALLY 50 | 50 | 1995 | → | FDB680 | FSB788 |
| RALLY 50 liquid cooled | 50 | 1996 | → | FDB680 | FDB680 |
| RC 50 | 50 | 2000 | → | FSB907 | FSB907 |
| RC 50 SPECIAL | 50 | 2000 | → | FSB898 | FSB898 |
| RED ROSE 50 | 50 | 1988 | → 1991 | FDB697 | FSB907 |
| RED ROSE 50 | 50 | 1992 | → | FDB697 | FSB900 |
| RS 50 | 50 | 1993 | → 1998 | FDB207 | FDB694 |
| RS 50 | 50 | 1999 | → 2003 | FDB677 | FDB694 |
| RS 50 / TUONO 50 | 50 | 2004 | → 2006 | FDB677 | FDB694 |
| RS 50 / TUONO 50 | 50 | 2006 | → 2008 | FDB2074 | FRP405 |
| RS4 50 (Rear AJP caliper) | 50 | 2011 | → | FDB2201 | FDB384 |
| RS4 50 (Rear JJ caliper) | 50 | 2011 | → | FDB2201 | FDB313 |
| RX 50 | 50 | 1990 | → 1991 | FDB697 | FDB694 |
| RX 50 | 50 | 1992 | → 1995 | FDB677 | FDB624 |
| RX 50 | 50 | 1996 | → 1998 | FDB207 | FDB624 |
| RX 50 RACING | 50 | 2004 | → | FDB677 | FDB694 |
| SCARABEO 50 | 50 | 1994 | → 1995 | FSB939 | FSB788 |
| SCARABEO 50 / 50 Street 4T-2T | 50 | 1996 | → | FDB680 | FSB788 |
| SCARABEO 50 2T Street / 4T 4V | 50 | 2010 | → | FDB731 | FSB953 |
| SCARABEO 50 DELUXE | 50 | 1998 | → | FDB680 | FDB680 |
| SONIC 50 GP | 50 | 1997 | → | FDB680 | FSB788 |
| SONIC 50 SPICE | 50 | 1997 | → | FDB680 | FSB788 |
| SR 50 2000 | 50 | 2000 | → | FDB680 | FDB2090 |
| SR 50 all models | 50 | 1993 | → 1996 | FDB889 | FSB788 |
| SR 50 FACTORY | 50 | 2004 | → | FDB680 | FDB2090 |
| SR 50 R | 50 | 2008 | → | FDB2090 | FDB2090 |
| SR 50 STEALTH - RACING | 50 | 1997 | → 1999 | FDB680 | FDB680 |
| SR 50 WWW - NETSCAPER | 50 | 1997 | → 2001 | FDB680 | FDB680 |
| SX 50 | 50 | 2007 | → | FDB677 | FDB694 |
| SX 50 | 50 | 2008 | → | FDB677 | FRP405 |
| TUAREG 50 | 50 | 1984 | → 1986 | FSB907 | FSB803 |
| TUAREG 50 | 50 | 1986 | → | FDB697 | FSB803 |
| TUAREG 50 | 50 | 1987 | → | FDB697 | FDB624 |
| TUAREG 50 HPC SYSTEM | 50 | 1987 | → | FDB438 | FDB207 |
| TUAREG 50 RALLY | 50 | 1990 | → | FDB697 | FDB694 |
| SCARABEO 70 | 70 | 1994 | → | FDB680 | FSB788 |
| CLASSIC 80 | 80 | 1993 | → | FDB697 | FSB900 |
| SCARABEO 100 (Minarelli engine) | 100 | 2000 | → | FDB2095 | FSB733 |
| SCARABEO 100 (Yamaha engine) | 100 | 2000 | → | FDB2095 | FSB947 |

* It is recommended that in those applications where sintered pads are supplied as Original Equipment, replacement pads should also be of sintered composition.

** To avoid brake imbalance sintered pads fitted in rear calipers should only be used in combination with front calipers containing sintered pads.



CC

FROM → TO



NOTES



NOTES

APRILIA

| | | | | |
|--|-----|-------------|---------|---------|
| SCARABEO 100 4T / Net | 100 | 2001 → | FDB2095 | FSB954 |
| AF1 125 | 125 | 1987 → | FDB499 | FDB207 |
| AF1 125 EUROPA | 125 | 1990 → 1991 | FDB498 | FDB207 |
| AF1 125 FUTURA | 125 | 1990 → 1991 | FDB498 | FDB207 |
| AF1 125 REPLICIA | 125 | 1989 → 1991 | FDB498 | FDB207 |
| AF1 125 SINTESI | 125 | 1989 → 1991 | FDB498 | FDB207 |
| ASR 125 | 125 | 1986 → | FDB695 | FDB207 |
| ATLANTIC (ARECIFE) 125 | 125 | 2003 → | FDB2105 | FDB2090 |
| CLASSIC 125 | 125 | 1996 → | FDB706 | FDB207 |
| ETX 125 | 125 | 1984 → | FDB695 | FSB876 |
| ETX 125 | 125 | 1985 → 1986 | FDB207 | FSB909 |
| ETX 125 | 125 | 1986 → 1997 | FDB438 | FSB909 |
| ETX 125 | 125 | 1998 → | FDB677 | FDB828 |
| HABANA 125 all models | 125 | 1999 → | FDB2095 | FSB954 |
| LEONARDO 125 | 125 | 1995 → 1996 | FDB207 | FDB680 |
| LEONARDO 125 | 125 | 1997 → 1998 | FDB2081 | FDB680 |
| LEONARDO 125 | 125 | 1999 → | FDB2095 | FDB2095 |
| MOJITO CUSTOM 125 | 125 | 2004 → | FDB680 | |
| MX 125 | 125 | 1983 → | FSB898 | FSB901 |
| MX 125 | 125 | 2004 → | FDB2018 | FDB828 |
| PEGASO 125 | 125 | 1989 → | FDB706 | FDB828 |
| PEGASO 125 KAT | 125 | 1994 → | FDB677 | FDB828 |
| RED ROSE 125 | 125 | 1989 → 1989 | FDB438 | FSB876 |
| RED ROSE 125 | 125 | 1990 → | FDB706 | FSB876 |
| RS 125 | 125 | 2006 → | FDB2216 | FDB2090 |
| RS 125 / TUONO 125 | 125 | 2004 → | FDB498 | FDB207 |
| RS 125 2T RADIAL CALIPER | 125 | 2006 → 2012 | FDB2216 | FDB2090 |
| RS 125 EXTREMA - REPLICIA | 125 | 1993 → 1997 | FDB498 | FDB207 |
| RS 125 EXTREMA - REPLICIA | 125 | 1998 → 1999 | FDB2006 | FDB207 |
| RS 125 EXTREMA - REPLICIA | 125 | 2000 → 2003 | FDB498 | FDB207 |
| RS4 125 4T (Rear AJP caliper) | 125 | 2011 → | FDB2201 | FDB384 |
| RS4 125 4T (Rear JJ caliper) | 125 | 2011 → | FDB2201 | FDB313 |
| RX 125 | 125 | 1986 → | FDB438 | FSB909 |
| RX 125 | 125 | 1990 → | FDB706 | FDB828 |
| RX 125 | 125 | 1991 → | FDB706 | FDB828 |
| RX 125 | 125 | 1992 → 1994 | FDB677 | FDB828 |
| RX 125 | 125 | 1995 → | FDB2018 | FDB828 |
| RX 125 | 125 | 2000 → | FSB898 | FSB901 |
| RX 125 (AJP Calipers Front & Rear) | 125 | 2008 → 2012 | FDB2018 | FDB384 |
| RX 125 (Brembo Front & Gremica Rear caliper) | 125 | 2008 → 2012 | FDB2018 | FDB314 |
| RX 125 (Rimoldi wheels) | 125 | 1984 → 1985 | FSB898 | FSB833 |
| SCARABEO 125 | 125 | 1998 → 2006 | FDB438 | FDB2090 |
| SCARABEO 125 Street | 125 | 2007 → | FDB2105 | FDB2090 |
| SPORT PRO 125 | 125 | 1993 → 2003 | FDB498 | FDB207 |
| SPORTCITY 125 ie | 125 | 2004 → | FDB438 | FDB2090 |
| SPORTCITY ONE 125 | 125 | 2010 → | FDB2142 | FSB953 |
| SR 125 | 125 | 1999 → | FDB2095 | FSB954 |
| ST 125 | 125 | 1987 → | FDB204 | FSB876 |
| STX 125 | 125 | 1984 → | FDB695 | FSB876 |
| STX 125 | 125 | 1986 → | FDB204 | FSB876 |
| SX 125 | 125 | 2008 → | FDB2018 | FDB828 |
| TREND GO WEST 125 | 125 | 1987 → | FDB438 | FSB909 |
| TUAREG 125 | 125 | 1984 → | FSB904 | FSB909 |
| TUAREG 125 | 125 | 1986 → | FDB438 | FDB207 |
| TUAREG 125 | 125 | 1987 → | FDB438 | FDB207 |
| TUAREG 125 RALLY | 125 | 1986 → | FDB438 | FSB909 |
| TUAREG 125 RALLY | 125 | 1989 → 1990 | FDB706 | FDB828 |
| TUAREG 125 RALLY | 125 | 1991 → | FDB673 | FDB828 |
| TUAREG 125 RALLY (Mozzi Rimoldi) | 125 | 1986 → | FDB438 | FSB834 |
| TUAREG 125 WIND | 125 | 1990 → | FDB529 | FDB207 |
| TX 125 | 125 | 1985 → | FSB898 | FSB898 |
| TX 125 M | 125 | 1986 → | FRP405 | FSB898 |
| LEONARDO 150 | 150 | 1997 → 1998 | FDB2081 | FDB680 |
| LEONARDO 150 | 150 | 1999 → | FDB2095 | FDB2095 |
| SCARABEO 150 | 150 | 1998 → | FDB438 | FDB2090 |
| SR 150 | 150 | 1999 → | FDB2095 | FSB954 |
| ATLANTIC (ARECIFE) 200 | 200 | 2003 → 2007 | FDB2105 | FDB2090 |
| CLIMBER 200 | 200 | 1993 → | FDB207 | FDB207 |
| SCARABEO 200 | 200 | 2001 → 2007 | FDB438 | FDB2090 |
| SCARABEO 200 | 200 | 2009 → | FDB2105 | FDB2090 |
| SCARABEO 200 / Class | 200 | 2008 → | FDB2105 | FDB2090 |
| SPORTCITY 200 | 200 | 2004 → | FDB438 | FDB2090 |

* It is recommended that in those applications where sintered pads are supplied as Original Equipment, replacement pads should also be of sintered composition.

** To avoid brake imbalance sintered pads fitted in rear calipers should only be used in combination with front calipers containing sintered pads.

1002



CC

FROM → TO



NOTES



NOTES

...APRILIA

| | | | | |
|------------------------------------|-----|------------------|---------|---------|
| CLIMBER 240 | 240 | 1989 → 1990 | FDB697 | FDB694 |
| TRX 240 M | 240 | 1989 → | FDB697 | FDB697 |
| TX 240 | 240 | 1985 → | FSB898 | FSB898 |
| AF1 250 REPLICA | 250 | 1990 → | FDB498 | FDB108 |
| ATLANTIC 250 | 250 | 2008 → | FDB2105 | FDB2090 |
| LEONARDO 250 | 250 | 1999 → | FDB438 | FDB2090 |
| MX 250 | 250 | 1983 → | FDB207 | FSB901 |
| MX 250 | 250 | 1984 → | FSB904 | FSB904 |
| MX 250 | 250 | 2000 → | FSB901 | FSB901 |
| RS 250 | 250 | 1995 → 1996 (x2) | FRP408 | FDB207 |
| RS 250 | 250 | 1997 → (x2) | FRP408 | FDB680 |
| RS 250 | 250 | 1998 → (x2) | FDB2042 | FDB207 |
| RX 250 | 250 | 1983 → | FDB207 | FSB833 |
| RX 250 | 250 | 1984 → | FSB904 | FSB904 |
| RX 250 | 250 | 1986 → | FDB207 | FSB909 |
| RX 250 | 250 | 2000 → | FSB901 | FSB901 |
| SCARABEO 250 ie | 250 | 2007 → | FDB2105 | FDB2090 |
| SPORTCITY 250 ie | 250 | 2007 → (x2) | FDB438 | FDB2090 |
| TUAREG 250 | 250 | 1984 → | | FSB911 |
| TUAREG 250 RALLY | 250 | 1986 → | FDB438 | FSB909 |
| TUAREG 250 RALLY (Mozzi Rimoldi) | 250 | 1986 → | FDB438 | FSB834 |
| CLIMBER 275 | 275 | 1989 → 1992 | FDB697 | FDB694 |
| CLIMBER 280 | 280 | 1993 → | FDB2107 | FDB2107 |
| ATLANTIC 300 | 300 | 2010 → | FDB2105 | FDB2090 |
| LEONARDO 300 | 300 | 2004 → | FDB438 | FDB2090 |
| SCARABEO 300 Class / Special | 300 | 2010 → | FDB2105 | FDB2090 |
| SPORTCITY 300 / Cube Black line | 300 | 2008 → (x2) | FDB438 | FDB2090 |
| TX 300 | 300 | 1985 → | FSB898 | FSB898 |
| TX 300 | 300 | 1986 → | FRP405 | FSB898 |
| TX 300 M | 300 | 1986 → | FRP405 | FSB898 |
| TX 311 M | 312 | 1987 → | FRP405 | FSB898 |
| TX 312 M | 312 | 1988 → | FRP405 | FRP405 |
| TXR 312 M | 312 | 1988 → | FRP405 | FRP405 |
| TRIAL 320 | 320 | 1981 → | FSB898 | FSB898 |
| ETX 350 | 350 | 1986 → | FDB438 | FDB207 |
| ETX 350 AE | 350 | 1987 → | FDB438 | FDB207 |
| TUAREG 350 | 350 | 1987 → | FDB438 | FDB207 |
| TUAREG 350 WIND | 350 | 1987 → 1988 | FDB438 | FDB207 |
| TUAREG 350 WIND | 350 | 1989 → | FDB499 | FDB314 |
| TUAREG 350 WIND | 350 | 1990 → | FDB529 | FDB314 |
| ATLANTIC Sprint 400 | 400 | 2007 → | FDB2105 | FDB2090 |
| SCARABEO 400 ie | 400 | 2007 → (x2) | FDB438 | FDB2090 |
| MXV 450 | 450 | 2008 → | FDB892 | FDB2139 |
| RXV 450 / Rally / Merriman Replica | 450 | 2005 → | FDB892 | FDB2162 |
| SX 450 | 450 | 2008 → | FDB2123 | FDB2162 |
| SXV 450 | 450 | 2005 → 2007 | FDB2245 | FDB2162 |
| SXV VD8 450/550 Replica | 450 | 2007 → | FDB2007 | FDB2162 |
| ATLANTIC (ARECIFE) 500 (left) | 500 | 2001 → | FDB438 | |
| ATLANTIC (ARECIFE) 500 (right) | 500 | 2001 → | FDB2146 | FDB2090 |
| ATLANTIC Sprint 500 | 500 | 2007 → | FDB2105 | FDB2090 |
| SCARABEO 500 | 500 | 2003 → (x2) | FDB2060 | FDB2090 |
| SCARABEO 500 | 500 | 2008 → (x2) | FDB438 | FDB2090 |
| SCARABEO 500 Class | 500 | 2010 → (x2) | FDB438 | FDB2090 |
| RXV 550 | 550 | 2005 → | FDB892 | FDB2162 |
| SX 550 | 550 | 2008 → | FDB2123 | FDB2162 |
| SXV 550 | 550 | 2005 → | FDB2245 | FDB2162 |
| ETX 600 | 600 | 1986 → | FDB438 | FDB207 |
| PEGASO 600 | 600 | 1990 → | FDB2006 | FDB828 |
| TUAREG 600 WIND | 600 | 1989 → (x2) | FDB314 | FDB314 |
| TUAREG 600 WIND | 600 | 1990 → | FDB529 | FDB828 |
| TUAREG 600 WIND PARIS-DAKAR | 600 | 1989 → | FDB529 | FDB828 |
| TUAREG 600 WIND. | 600 | 1989 → | FDB529 | FDB828 |
| MOTO 650 6.5 | 650 | 1995 → 1999 | FDB2006 | FDB828 |
| PEGASO 650 | 650 | 1991 → 1995 | FDB782 | FDB828 |
| PEGASO 650 | 650 | 1996 → 2000 | FDB2006 | FDB828 |
| PEGASO 650 TRAIL | 650 | 2007 → | FDB2006 | FDB2005 |
| PEGASO 650 / I.E. | 650 | 2001 → 2004 | FDB2006 | FDB2005 |
| PEGASO 650 Factory | 650 | 2008 → | FDB2245 | FDB2005 |
| PEGASO 650 STRADA | 650 | 2004 → | FDB2042 | FDB2005 |
| STARCK 650 | 650 | 1996 → | FDB2006 | FDB828 |
| SL 750 SHIVER ABS / GT | 750 | 2008 → (x2) | FDB2216 | FDB2005 |
| SMV 750 Dorsoduro (NO ABS/ABS) | 750 | 2008 → (x2) | FDB2216 | FDB2005 |

* It is recommended that in those applications where sintered pads are supplied as Original Equipment, replacement pads should also be of sintered composition.

** To avoid brake imbalance sintered pads fitted in rear calipers should only be used in combination with front calipers containing sintered pads.



CC FROM → TO



NOTES



NOTES

...APRILIA

| | | | | | | |
|---|------|------|---|-----------|---------|---------|
| SMV 750 Dorsoduro FACTORY | 750 | 2010 | → | (x2) | FDB2099 | FDB2005 |
| NA 850 MANA ABS / GT | 850 | 2008 | → | (x2) | FDB2216 | FDB2060 |
| SRV 850 ABS ATC | 850 | 2013 | → | (x2) | FDB2018 | FDB2142 |
| ETV 1000 CAPONORD / RALLY RAID | 1000 | 2001 | → | (x2) | FDB2006 | FDB2074 |
| RST FUTURA 1000 | 1000 | 2001 | → | | FDB2042 | FDB2018 |
| RSV 1000 MILLE | 1000 | 1997 | → | 2000 (x2) | FDB2042 | FDB2074 |
| RSV 1000 MILLE | 1000 | 2001 | → | (x2) | FDB2120 | FDB2074 |
| RSV 1000 MILLE R | 1000 | 2001 | → | 2003 (x2) | FDB2120 | FDB2074 |
| RSV 1000 MILLE R / FACTORY / TUONO RACING | 1000 | 2004 | → | (x2) | FDB2120 | FDB2074 |
| RSV 1000 MILLE R / SP | 1000 | 2000 | → | (x2) | FDB2042 | FDB2074 |
| RSV 1000 TUONO | 1000 | 2004 | → | (x2) | FDB2042 | FDB2074 |
| RSV4 Factory /APRC SE /R | 1000 | 2008 | → | (x2) | FDB2260 | FDB2074 |
| RSV4 Factory /APRC SE /R (Racing version pad) | 1000 | 2008 | → | (x2) | FDB2218 | FDB2074 |
| RSV4 Factory APRC ABS (Racing version pad) | 1000 | 2013 | → | (x2) | FDB2218 | FDB2074 |
| RSV4 Factory APRC ABS (Road version pad) | 1000 | 2013 | → | (x2) | FDB2260 | FDB2074 |
| RSV4 R APRC ABS (Racing version pad) | 1000 | 2013 | → | (x2) | FDB2218 | FDB2074 |
| RSV4 R APRC ABS (Road version pad) | 1000 | 2013 | → | (x2) | FDB2260 | FDB2074 |
| SL 1000 FALCO | 1000 | 2000 | → | (x2) | FDB2042 | FDB2074 |
| TUONO V4 R | 1000 | 2011 | → | (x2) | FDB2099 | FDB2074 |
| TUONO V4 R APRC | 1000 | 2013 | → | (x2) | FDB2099 | FDB2074 |
| CAPONORD 1200 | 1200 | 2013 | → | (x2) | FDB2265 | FDB2005 |
| DORSODURO 1200 / ABS / ATC | 1200 | 2011 | → | (x2) | FDB2099 | FDB2005 |

ASPES

| | | | | | | |
|-----------------|-----|--|---|--|--------|--------|
| CS 50 NAVAHO | 50 | | → | | FSB907 | FSB907 |
| CS 75 50 NAVAHO | 50 | | → | | FSB898 | FSB901 |
| CM1 80 | 80 | | → | | FSB898 | FSB898 |
| DUMA 125 | 125 | | → | | FDB205 | FSB901 |
| HUPI 125 | 125 | | → | | FSB898 | FSB901 |
| JUMA 125 | 125 | | → | | FSB898 | FSB901 |

ATALA

| | | | | | | |
|---------------|----|------|---|--|--------|--------|
| BYTE 50 | 50 | 1996 | → | | FDB680 | FSB792 |
| CAROSSELLO 50 | 50 | 1997 | → | | FDB680 | FSB788 |
| HACKER 50 | 50 | 1996 | → | | FDB680 | FSB777 |
| HACKER 50 | 50 | 2000 | → | | FDB680 | FSB792 |
| SCHEGGIA 50 | 50 | 1998 | → | | FDB680 | FSB777 |

ATK (USA)

| | | | | | | |
|----------------------|-----|------|---|------|---------|---------|
| all models 1984-85 | | 1984 | → | 1985 | FDB207 | FSB816 |
| all models 1986 | | 1986 | → | | FDB207 | FDB213 |
| all models 1987 | | 1987 | → | | FDB207 | FRP405 |
| all models 1988 | | 1988 | → | | FDB498 | FDB213 |
| all models 1989-93 | | 1989 | → | 1993 | FDB498 | FDB697 |
| all models 1994-95 | | 1994 | → | 1995 | FDB497 | FDB497 |
| all models 1996-01 | | 1996 | → | 2001 | FDB2018 | FDB2005 |
| 500 / 600 Dirt Track | 500 | 1998 | → | 1999 | FRP408 | FDB2005 |
| 560 | 560 | 1984 | → | 1985 | FDB207 | |
| 560 | 560 | 1986 | → | 1987 | FDB207 | FDB213 |

BENELLI

| | | | | | | |
|--|----|------|---|------|--------|--------|
| 491 50 GT | 50 | 1997 | → | | FDB680 | FSB788 |
| 491 50 SPORT - RACING | 50 | 1997 | → | | FDB680 | FDB680 |
| BOBO 50 | 50 | 1978 | → | | FSB902 | FSB902 |
| CITY BIKE 50 | 50 | | → | | FSB877 | FSB877 |
| DEVIL 50 | 50 | 1992 | → | | FDB498 | FDB436 |
| EXPORT 3 V 50 | 50 | 1979 | → | | FSB902 | FSB902 |
| G 2 50 | 50 | 1979 | → | | FSB902 | FSB902 |
| G 2 50 ELLE | 50 | 1979 | → | | FSB908 | FSB908 |
| K2 50 all models | 50 | 1998 | → | 2001 | FDB680 | FSB788 |
| MASTER 4 50 | 50 | 1995 | → | | FDB436 | |
| MOTORELLA 50 | 50 | 1979 | → | | FSB902 | FSB902 |
| NAKED 50 | 50 | 1998 | → | | FDB680 | |
| PEPE 50/50 LX/Classic (7 Spoke Cast Wheel) | 50 | 1999 | → | 2013 | FDB680 | FSB788 |
| S 50 | 50 | 1981 | → | 1987 | FSB877 | FSB837 |

* It is recommended that in those applications where sintered pads are supplied as Original Equipment, replacement pads should also be of sintered composition.

** To avoid brake imbalance sintered pads fitted in rear calipers should only be used in combination with front calipers containing sintered pads.



CC FROM → TO



NOTES



NOTES

...BENELLI

| | | | | | | | |
|--|------|------|-------------|--|---------|--|---------|
| S 50 (tutti i modelli) | 50 | 1987 | → | | FSB877 | | FSB837 |
| S 50 LUSO | 50 | 1981 | → 1987 | | FSB877 | | FSB837 |
| SCOOTY 50 | 50 | | → | | FSB877 | | FSB877 |
| SPRING 50 | 50 | 1992 | → | | FDB498 | | FDB436 |
| DEVIL 80 | 80 | 1995 | → | | FDB498 | | FDB436 |
| K2 100 BIPOSTO | 100 | 1999 | → | | FDB680 | | FSB947 |
| 125 | 125 | 1976 | → | | FDB207 | | FSB818 |
| 125 2 C | 125 | 1976 | → 1978 | | FDB207 | | FSB818 |
| 125 2C Dual brakes | 125 | 2000 | → | | FDB207 | | FSB818 |
| 125 2T - 2 CSE | 125 | 1976 | → 1978 | | FDB207 | | FSB818 |
| 125 JARNO | 125 | 1989 | → | | FDB498 | | FDB2081 |
| 666 125 | 125 | 1998 | → | | FDB2042 | | FDB680 |
| ADIVA 125 | 125 | 1999 | → | | FDB680 | | FDB2115 |
| S 125 SCOOTER | 125 | | → | | FSB856 | | FSB856 |
| VELVET 125 | 125 | 1999 | → 2008 | | FDB680 | | FDB680 |
| Velvet 125 (13 Front Wheel/Touring) | 125 | 2008 | → 2012 | | FDB677 | | FDB2090 |
| ADIVA 150 | 150 | 1999 | → | | FDB680 | | FDB2115 |
| VELVET 150 | 150 | 1999 | → 2008 | | FDB680 | | FDB680 |
| Velvet 150 (13 Front Wheel/Touring) | 150 | 2008 | → 2012 | | FDB677 | | FDB2090 |
| 250 4 | 250 | 1976 | → | | FDB207 | | FSB818 |
| 250 C | 250 | 1976 | → 1978 | | FDB207 | | FSB818 |
| 250 TS | 250 | 1976 | → 1978 | | FDB207 | | FSB818 |
| BX Motard (250cc) | 250 | 2012 | → | | FDB2018 | | FDB207 |
| Caffe Nero 250 Left | 250 | 2008 | → 2011 | | FDB2087 | | FDB2148 |
| CAFFENERO 250 (right) | 250 | 2008 | → 2011 | | FDB497 | | |
| VELVET 250 | 250 | 1999 | → | | FDB677 | | FDB2090 |
| 254 | 254 | 1979 | → | | FDB213 | | FSB818 |
| 350 | 350 | 1983 | → (x2) | | FDB207 | | FDB207 |
| 350 4 CIL. | 350 | 1978 | → | | FDB207 | | FSB818 |
| 350 SPORT | 350 | 1978 | → | | FDB207 | | FDB108 |
| 350 SPORT II | 350 | 1978 | → | | FDB207 | | FDB108 |
| 350 T | 350 | 1978 | → | | FDB207 | | FDB108 |
| BX 449 Motard | 449 | 2010 | → | | FDB2120 | | FDB2005 |
| BX Cross (449cc) | 449 | 2007 | → 2012 | | FDB2018 | | FDB2005 |
| 500 | 500 | 1978 | → | | FDB207 | | FDB108 |
| 500 LS | 500 | 1978 | → | | FDB207 | | FDB108 |
| 500 QUATTRO | 500 | 1976 | → | | FDB207 | | FSB818 |
| BX Enduro (505cc) | 505 | 2008 | → 2012 | | FDB2018 | | FDB2005 |
| BX 570 Motard | 570 | 2008 | → 2010 | | FDB2120 | | FDB2005 |
| 650 | 650 | 1982 | → | | FDB207 | | FDB108 |
| 650 SPORT | 650 | 1978 | → | | FDB207 | | FDB108 |
| 650 T | 650 | 1978 | → | | FDB207 | | FDB108 |
| 2 UE 750 | 750 | 2009 | → 2010 (x2) | | FDB2042 | | FDB2074 |
| 750 SEI | 750 | 1976 | → (x2) | | FDB108 | | |
| Cafe Racer 899 | 899 | 2010 | → 2012 (x2) | | FDB2120 | | FDB2074 |
| Century Racer 899 | 899 | 2011 | → 2012 (x2) | | FDB2120 | | FDB2074 |
| TORNADO NAKED TRE 899 / S | 899 | 2007 | → 2011 (x2) | | FDB2042 | | FDB2074 |
| TRE 899 K | 899 | 2007 | → 2012 (x2) | | FDB2042 | | FDB2074 |
| 900 SEI | 900 | 1978 | → (x2) | | FDB108 | | FDB204 |
| 900 TORNADO | 900 | 2000 | → (x2) | | FDB2042 | | FDB2074 |
| TORNADO TRE 900 / RS / Naked Sport Evo | 900 | 2002 | → (x2) | | FDB2120 | | FDB2074 |
| TNT 1130 Cafe Racer | 1130 | | → 2005 (x2) | | FDB2042 | | FDB2074 |
| TNT 1130 Cafe Racers | 1130 | 2006 | → 2012 (x2) | | FDB2120 | | FDB2074 |
| TNT 1130 Titanium | 1130 | 2005 | → (x2) | | FDB2042 | | FDB2074 |
| TNT 1130 Titanium | 1130 | 2006 | → (x2) | | FDB2120 | | FDB2074 |
| TNT R 160 | 1130 | 2010 | → (x2) | | FDB2120 | | FDB2074 |
| Tornado Naked Tre TNT 1130 | 1130 | 2006 | → 2007 (x2) | | FDB2042 | | FDB2074 |
| Tornado TRE 1130 (Radial caliper) | 1130 | 2006 | → 2010 (x2) | | FDB2120 | | FDB2074 |
| TRE-K 1130 | 1130 | 2006 | → 2012 (x2) | | FDB2042 | | FDB2074 |
| TRE-K 1130 Amazonas | 1130 | 2007 | → 2012 (x2) | | FDB2042 | | FDB2074 |

BETA

| | | | | | | | |
|----------------------|----|------|--------|--|--------|--|--------|
| ALP 50 | 50 | 1991 | → | | FDB436 | | FDB697 |
| ANDY 50 alloy wheels | 50 | 1978 | → | | FSB902 | | FSB902 |
| ANDY 50 spoke wheels | 50 | 1978 | → | | FSB902 | | FSB902 |
| ARK 50 all models | 50 | 1996 | → | | FDB680 | | FDB680 |
| B12 50 | 50 | 1973 | → | | FSB902 | | FSB902 |
| CH 50 | 50 | 1996 | → | | FDB680 | | FSB788 |
| CHRONO 50 | 50 | 1992 | → 1994 | | FDB697 | | FSB788 |
| CHRONO 50 | 50 | 1994 | → | | FDB697 | | FSB788 |
| CHRONO 50 13 | 50 | 1994 | → | | FDB680 | | FSB788 |

* It is recommended that in those applications where sintered pads are supplied as Original Equipment, replacement pads should also be of sintered composition.

** To avoid brake imbalance sintered pads fitted in rear calipers should only be used in combination with front calipers containing sintered pads.



CC

FROM → TO



NOTES



NOTES

...BETA

| | | | | |
|---------------------------------------|-----|-------------|---------|---------|
| CHRONO 50 502 | 50 | 1997 → | FDB680 | FSB788 |
| EIKON 50 | 50 | 1999 → | FRP405 | FRP405 |
| FOUR 50 AE | 50 | 1987 → | FDB436 | FSB907 |
| FOUR 50 S | 50 | 1987 → | FDB436 | FSB907 |
| FOUR TWIN 50 | 50 | 1988 → | FDB436 | FSB907 |
| KR 50 | 50 | 1987 → | FDB697 | FDB624 |
| KR 50 ADVENTURE | 50 | 1987 → | FDB697 | FDB624 |
| M4 50 | 50 | 1983 → | | FSB907 |
| M6 50 | 50 | 1983 → | | FSB907 |
| MINICROSS 50 PRO RACE 12/10 | 50 | 2004 → 2006 | FDB2127 | FDB2127 |
| Minitrial 50 | 50 | 2009 → 2012 | FDB2127 | |
| MIO 50 | 50 | 1979 → | FSB902 | FSB902 |
| MS 50 | 50 | 1980 → | FDB213 | FSB907 |
| MX 50 ENDURO | 50 | 1992 → | FDB2107 | FDB2107 |
| MX4 50 Special | 50 | 1970 → | FSB907 | FSB907 |
| MX6 50 | 50 | 1982 → | FSB898 | FSB898 |
| MX6 50 EXPORT | 50 | 1977 → | FSB897 | FSB897 |
| Pro Race 50 | 50 | 2005 → | FRP405 | FDB2127 |
| PULMAN 50 | 50 | 1970 → | FSB910 | FSB910 |
| QUADRA 50 | 50 | 1995 → | FDB680 | FSB788 |
| R 150 (Minicross /4T/49cc) | 50 | 2010 → 2012 | FDB312 | FDB694 |
| REV 50 | 50 | 2000 → | FRP405 | FRP405 |
| RR 50 all models | 50 | 1999 → | FDB706 | FRP405 |
| RR 50 Enduro | 50 | 2004 → 2007 | FDB677 | FDB2206 |
| RR 50 Enduro | 50 | 2008 → 2012 | FDB677 | FDB2162 |
| RR 50 Enduro Factory | 50 | 2012 → | FDB677 | FDB2162 |
| RR 50 Enduro Racing | 50 | 2009 → 2011 | FDB677 | FDB2162 |
| RR 50 Enduro Standard | 50 | 2009 → 2012 | FRP405 | FDB2162 |
| RR 50 Motard (Spoke Wheel) | 50 | 2009 → 2012 | FDB677 | FDB2206 |
| RR 50 Motard Skull | 50 | 2011 → | FDB677 | FDB2162 |
| RR 50 Motard Standard | 50 | 2009 → 2012 | FRP405 | FDB2162 |
| RR 50 PRO RACE | 50 | 1998 → | FDB706 | FRP405 |
| RR 50 Standard | 50 | 2005 → 2008 | FDB677 | FRP405 |
| RR Motard 50 Track (Cast Wheels) | 50 | 2008 → 2012 | FDB677 | FDB2162 |
| RX 50 | 50 | 1984 → | FDB695 | FSB768 |
| SCRAMBLER 50 4 M | 50 | 1982 → | FSB907 | FSB907 |
| SQUIRREL 50 | 50 | 1983 → | FDB213 | FSB907 |
| SUPERMOTARD 50 | 50 | 2000 → | FRP405 | FRP405 |
| SUPERTRIAL 50 | 50 | 1992 → | FRP405 | FRP405 |
| TECHNO 50 | 50 | 1996 → | FRP405 | FRP405 |
| TEMPO 50 | 50 | 1993 → | FDB697 | FSB788 |
| TR 50 | 50 | 1980 → 1986 | FSB907 | FSB897 |
| TR 50 | 50 | 1987 → 1988 | FSB898 | FSB898 |
| TR 50 (SPAIN) | 50 | 1989 → | FRP405 | FSB898 |
| EVO 80 | 80 | 2009 → 2012 | FDB2109 | FDB2267 |
| EVO 80 Junior | 80 | 2009 → 2012 | FRP405 | FRP405 |
| REV 80 | 80 | 2000 → 2007 | FRP405 | FRP405 |
| REV 80 | 80 | 2008 → | FDB2109 | FDB697 |
| TR 80 | 80 | 1980 → | FSB907 | FSB897 |
| 125 6V | 125 | 1974 → | FSB901 | FSB901 |
| 125 SCRAMBLER | 125 | 1982 → | FSB901 | FSB876 |
| ALP 125 4T | 125 | 1999 → 2003 | FRP405 | FRP405 |
| ALP 125 4T | 125 | 2005 → 2012 | FDB677 | FDB2206 |
| CR 125 | 125 | 1982 → | FSB901 | FSB901 |
| CR 125 | 125 | 2000 → | FSB897 | FSB901 |
| CUSTOM 125 | 125 | 1982 → | FDB205 | FSB876 |
| EIKON 125 | 125 | 1999 → | FDB2081 | FDB2090 |
| EVO 125 2T | 125 | 2009 → 2011 | FDB2109 | FDB2127 |
| EVO 125 2T | 125 | 2012 → | FDB2109 | FDB2267 |
| JONATHAN 125 | 125 | 1999 → 2001 | FRP408 | FDB2005 |
| JONATHAN 125 | 125 | 2002 → 2005 | FRP408 | FDB828 |
| KR 125 | 125 | 1986 → | FDB207 | |
| KR 125 AFRIKA | 125 | 1987 → | FDB207 | |
| R-125 (Pit Bike) / R125 Minimotard 4T | 125 | 2008 → | FDB636 | FRP405 |
| RC 125 | 125 | 1976 → | FSB897 | FSB901 |
| RC 125 (liquid cooled) | 125 | 1981 → | FSB901 | FSB901 |
| RC 125 EXPORT ASPIRATO | 125 | 1980 → | FSB901 | FSB901 |
| RE 125 4T Enduro | 125 | 2009 → 2010 | FDB677 | FDB2162 |
| RE 125 4T Enduro | 125 | 2010 → 2012 | FRP405 | FDB2162 |
| Rev 3 125 | 125 | 2000 → 2005 | FDB2109 | FDB2109 |
| Rev 3 125 | 125 | 2006 → 2008 | FDB2109 | |
| RR 125 4T Enduro (A/C) | 125 | 2009 → 2011 | FDB677 | FDB2162 |

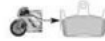
* It is recommended that in those applications where sintered pads are supplied as Original Equipment, replacement pads should also be of sintered composition.

** To avoid brake imbalance sintered pads fitted in rear calipers should only be used in combination with front calipers containing sintered pads.

1006



CC FROM → TO



NOTES



NOTES

...BETA

| | | | | | |
|--------------------------------------|-----|------|--------|---------|---------|
| RR 125 4T Enduro (L/C) | 125 | 2011 | → | FDB677 | FDB2162 |
| RR 125 4T Motard (A/C - Spoke Wheel) | 125 | 2008 | → 2012 | FDB677 | FDB2162 |
| RR 125 4T Motard (L/C - Cast Wheel) | 125 | 2011 | → 2012 | FDB677 | FDB2162 |
| RX 125 | 125 | 1983 | → | FDB695 | FSB898 |
| RX 125 | 125 | 1984 | → | FDB695 | FSB768 |
| TR 125 | 125 | 1980 | → 1985 | FSB898 | FSB898 |
| TR 32 125 | 125 | 1986 | → | FDB436 | FSB898 |
| TR 33 125 | 125 | 1987 | → | FDB436 | FSB898 |
| TR 34 125 | 125 | 1988 | → | FDB436 | FDB697 |
| TR 35 125 | 125 | 1990 | → | FRP405 | FRP405 |
| TRIAL 125 | 125 | 1997 | → | FRP405 | |
| Urban 125 | 125 | 2008 | → 2012 | FDB677 | FDB2206 |
| Urban 125 Special | 125 | 2009 | → 2012 | FDB677 | FDB2162 |
| EIKON 150 | 150 | 1999 | → | FDB2081 | FDB2090 |
| ALP 200 4T | 200 | 2005 | → 2012 | FDB677 | FDB2206 |
| ALP 200 4T | 200 | 2000 | → 2003 | FRP405 | FRP405 |
| EVO 200 2T | 200 | 2009 | → 2012 | FDB2109 | FDB2267 |
| Rev 3 200 | 200 | 2006 | → 2008 | FDB2109 | |
| URBAN 200 | 200 | 2008 | → 2012 | FDB677 | FDB2206 |
| Urban 200 Special | 200 | 2009 | → 2012 | FDB677 | FDB2162 |
| ALP 240 | 240 | 1991 | → 1995 | FDB436 | |
| ALP 240 | 240 | 1996 | → | FRP405 | FDB207 |
| SUPERTRIAL 240 | 240 | 1992 | → | FRP405 | |
| TR 240 | 240 | 1980 | → 1983 | FSB898 | FSB898 |
| TR 32 240 | 240 | 1984 | → 1985 | FSB898 | FSB898 |
| TR 32 240 (mozzo ant autocentrante) | 240 | 1984 | → 1985 | FSB899 | FSB898 |
| TR 33 240 | 240 | 1986 | → 1988 | FDB436 | FSB898 |
| TR 33 TREKKING 240 | 240 | 1988 | → | FDB436 | FSB905 |
| TREKKING 240 | 240 | 1987 | → | FSB898 | FSB898 |
| ALP 250 | 250 | 1997 | → | FRP405 | FRP405 |
| CR - RV 250 | 250 | 1981 | → | FSB901 | FSB852 |
| CR 250 | 250 | 1983 | → | FDB207 | FSB901 |
| CUSTOM 250 | 250 | 1982 | → | FDB205 | FSB876 |
| Evo 250 (2T) | 250 | 2009 | → 2012 | FDB2109 | FDB2267 |
| Evo 250 (4T) | 250 | 2009 | → 2012 | FDB2109 | FDB2267 |
| GS - RV 250 | 250 | 2000 | → | FSB901 | FSB901 |
| KR 250 AFRIKA | 250 | 1986 | → | FDB207 | |
| KR 250 RALLY | 250 | 1987 | → | FDB207 | |
| REV 3 250 | 250 | 2000 | → 2004 | FDB2109 | FDB2109 |
| Rev 3 250 | 250 | 2005 | → 2008 | FDB2109 | |
| REV 3 250 / Long Range | 250 | 2008 | → | FDB2109 | FDB889 |
| REV 4T 250 | 250 | 2007 | → 2008 | FDB2109 | FDB697 |
| RR 250 4T Enduro | 250 | 2005 | → 2007 | FDB892 | FDB2162 |
| TECHNO 250 | 250 | 1996 | → | FRP405 | FRP405 |
| TR 34 250 | 250 | 1986 | → 1988 | FDB436 | FDB697 |
| TR 34 250 (SPAIN) | 250 | 1989 | → | FDB436 | FDB436 |
| TR 34 250 PROFESSIONAL | 250 | 1989 | → | FDB436 | FDB697 |
| TR 35 250 | 250 | 1990 | → 1991 | FRP405 | FRP405 |
| ALP 260 | 260 | 1990 | → | FDB436 | |
| SYNT 260 | 260 | 1992 | → | FDB2107 | |
| TR 34 260 | 260 | 1987 | → 1988 | FDB436 | FDB697 |
| TR 35 260 | 260 | 1989 | → 1991 | FDB436 | |
| ZERO 260 GARA - TECHNO - SYNT | 260 | 1993 | → | FDB2107 | |
| ZERO 260 SYNT | 260 | 1989 | → 1992 | FDB2107 | |
| Rev 3 270 | 270 | 2005 | → 2008 | FDB2109 | |
| EVO 290 2T | 290 | 2009 | → | FDB2109 | FDB2127 |
| EVO 300 2T/4T | 300 | 2009 | → 2012 | FDB2109 | FDB2267 |
| ALP 4.0 350 | 350 | 2004 | → | FDB677 | FDB828 |
| ALP 4.0 350 4T | 350 | 2005 | → 2012 | FDB677 | FDB2206 |
| CR - RV 350 | 350 | 1980 | → | FSB901 | FSB852 |
| EURO / JONATHAN 350 | 350 | 2003 | → 2006 | FRP408 | FDB383 |
| EURO 350 | 350 | 1999 | → 2001 | FRP408 | FDB2005 |
| EURO 350 | 350 | 2002 | → | FRP408 | FDB828 |
| GS -RV 350 | 350 | 1980 | → | FSB901 | FSB852 |
| M4 Supermotard | 350 | 2006 | → 2012 | FDB2185 | FDB2206 |
| M4 Supermotard 350 | 350 | 2004 | → 2006 | FDB2185 | FDB828 |
| RR 350 4T Enduro | 350 | 2011 | → | FDB892 | FDB2162 |
| RR 350 4T Enduro | 350 | 2012 | → | FDB892 | FDB2162 |
| RR 400 4T Enduro | 400 | 2005 | → | FDB892 | FDB2162 |
| RR 450 4T Cross Country | 450 | 2012 | → | FDB892 | FDB2162 |
| RR 450 4T Enduro | 450 | 2005 | → 2013 | FDB892 | FDB2162 |
| GS - RV 500 | 500 | 1984 | → | FDB207 | FSB852 |

* It is recommended that in those applications where sintered pads are supplied as Original Equipment, replacement pads should also be of sintered composition.

** To avoid brake imbalance sintered pads fitted in rear calipers should only be used in combination with front calipers containing sintered pads.



CC FROM -> TO



NOTES



NOTES

...BETA

| | | | | | | |
|------------------|-----|------|--------|--|---------------|----------------|
| RR 498 4T Enduro | 500 | 2012 | - | | FDB892 | FDB2162 |
| RR 520 4T Enduro | 520 | 2010 | - 2011 | | FDB892 | FDB2162 |
| RR Enduro 525 4T | 525 | 2005 | - 2009 | | FDB892 | FDB2162 |

BIMOTA

| | | | | | | |
|-------------------------------------|------|------|--------|------|----------------|----------------|
| YB 7 400 | 400 | 1989 | - | (x2) | FRP408 | FDB207 |
| V DUE 500 | 500 | 1997 | - | (x2) | FRP408 | FDB207 |
| BELLARIA 600 SPORT | 600 | 1991 | - | (x2) | FRP408 | FDB108 |
| YB 9 600 SRI | 600 | 1997 | - | (x2) | FRP408 | FDB207 |
| SUPERMONO 650 | 650 | 1997 | - | (x2) | FRP408 | FDB207 |
| SB 7 750 | 750 | 1996 | - | (x2) | FRP408 | FDB207 |
| YB 4 750 | 750 | 1989 | - | (x2) | FRP408 | FDB207 |
| TESI 851 1D | 851 | 1991 | - | (x2) | FRP408 | FDB108 |
| DB 1 - 2 900 | 900 | 1992 | - | (x2) | FRP408 | FDB207 |
| MANTRA 900 | 900 | 1997 | - | (x2) | FRP408 | FDB207 |
| DB 2 SR 904 | 904 | 1994 | - 2000 | (x2) | FRP408 | FDB207 |
| DB 4 904 | 904 | 1998 | - 1999 | (x2) | FRP408 | FDB207 |
| TESI 906 1D | 906 | 1991 | - | (x2) | FRP408 | FDB108 |
| DB6 Delirio (992cc) Ducati engine | 992 | 2007 | - | (x2) | FDB2120 | FDB2074 |
| SB8K Gobert (Suzuki Engine) (996cc) | 996 | 2006 | - | (x2) | FDB2042 | FDB207 |
| 1000 all models ->1988 | 1000 | 2000 | - | (x2) | FDB108 | FDB108 |
| DB5 (All models) | 1000 | 2006 | - 2007 | (x2) | FDB2120 | FDB2074 |
| SB 3 1000 | 1000 | 1983 | - | (x2) | FDB108 | FDB108 |
| SB 8 1000 R | 1000 | 1998 | - | (x2) | FDB2042 | FDB207 |
| YB 10 1000 BIPOSTO | 1000 | 1992 | - | (x2) | FRP408 | FDB207 |
| YB 11 1000 | 1000 | 1997 | - | (x2) | FRP408 | FDB207 |
| YB 6 1000 | 1000 | 1989 | - | (x2) | FRP408 | FDB207 |
| YB 8 1000 E | 1000 | 1990 | - | (x2) | FRP408 | FDB207 |
| YB 8 1000 E.I. FURANO | 1000 | 1990 | - | (x2) | FRP408 | FDB207 |
| YB 8 FURANO 1000 | 1000 | 1992 | - | (x2) | FRP408 | FDB207 |
| YB 10 DIECI 1002 | 1002 | 1991 | - | (x2) | FRP408 | FDB108 |
| DB5R | 1078 | 2006 | - 2007 | (x2) | FDB2120 | FDB2074 |
| DB5R/S (1078cc) | 1078 | 2008 | - 2009 | (x2) | FDB2120 | FDB207 |
| DB6 (1078cc) | 1078 | 2008 | - 2009 | (x2) | FDB2120 | FDB207 |
| DB6 Elirio | 1078 | 2006 | - | (x2) | FDB2120 | FDB2074 |
| DB6/R (1078cc) | 1078 | 2008 | - 2009 | (x2) | FDB2120 | FDB207 |
| Tesi-3D (1078cc) | 1078 | 2009 | - | (x2) | FDB2120 | FDB207 |
| DB7 (1098cc) | 1098 | 2008 | - | (x2) | FDB2120 | FDB2074 |
| DB7 Oronero Millenovantotto | 1098 | 2009 | - | (x2) | FDB2260 | FDB2074 |
| DB7 Oronero Millenovantotto | 1098 | 2009 | - | (x2) | FDB2218 | FDB2074 |
| DB7 (1099cc) | 1099 | 2009 | - | (x2) | FDB2260 | FDB207 |
| DB6 (1100cc) | 1100 | 2008 | - | (x2) | FDB2120 | FDB2074 |
| DB6R Delirio (1100cc) | 1100 | 2008 | - | (x2) | FDB2120 | FDB2074 |
| SB 6 1100 | 1100 | 1997 | - | (x2) | FRP408 | FDB207 |
| TEST 3D 1100 | 1100 | 2009 | - | (x2) | FDB2120 | FDB2074 |
| DB8 (1198cc) | 1198 | 2010 | - | (x2) | FDB2260 | FDB2074 |

BMW

| | | | | | | |
|-------------------------------|-----|------|--------|------|----------------|----------------|
| C1 125 Scooter | 125 | 2000 | - 2003 | | FDB2006 | FDB2005 |
| C1 200 Scooter | 200 | 2001 | - 2003 | | FDB2006 | FDB2005 |
| G450 X | 450 | 2008 | - | | FDB2018 | FDB2165 |
| R 45 450 | 450 | 1978 | - 1981 | (x2) | FDB108 | FSB700 |
| R 45 450 | 450 | 1981 | - 1985 | (x2) | FDB108 | FSB701 |
| R 50/5 500 | 500 | 1969 | - 1975 | | FSB806 | FSB700 |
| C 600 SPORT | 600 | 2012 | - | (x2) | FDB2006 | FDB2006 |
| R 60/5 600 | 600 | 2000 | - | | FSB806 | FSB700 |
| R 60/6 600 | 600 | 2000 | - | | FSB806 | FSB700 |
| R 60/7 600 | 600 | 1976 | - 1978 | | FDB155 | FSB700 |
| C 650 GT | 650 | 2012 | - | (x2) | FDB2006 | FDB2006 |
| F 650 / 650 ST | 650 | 1994 | - 2000 | | FDB2006 | FDB2005 |
| F 650 GS / CS | 650 | 2001 | - | | FDB2006 | FDB2005 |
| F 650 SCARVER | 650 | 2002 | - | | FDB2006 | FDB2005 |
| G 650 X Challenge / X Country | 650 | 2007 | - | | FDB2006 | FDB2005 |
| G 650 X Moto | 650 | 2008 | - | | FDB2042 | FDB2005 |
| G650 GS | 650 | 2011 | - | | FDB2006 | FDB2005 |
| R 65 650 | 650 | 1981 | - 1989 | (x2) | FDB108 | FDB108 |
| R 65 650 | 650 | 1989 | - 2000 | (x2) | FDB108 | FSB701 |
| R 65 650 | 650 | 2000 | - | | FDB108 | FSB700 |
| R 65 650 GS | 650 | 1987 | - 1988 | | FDB108 | FSB701 |

* It is recommended that in those applications where sintered pads are supplied as Original Equipment, replacement pads should also be of sintered composition.

** To avoid brake imbalance sintered pads fitted in rear calipers should only be used in combination with front calipers containing sintered pads.

1008



CC

FROM → TO



NOTES



NOTES

...BMW

| | | | | | |
|----------------------|------|-------------|------|---------|---------|
| K 1200 GT | 1200 | 2003 → 2007 | (x2) | FDB2125 | FDB108 |
| K 1200 GT | 1200 | 2007 → | (x2) | FDB2125 | FDB2039 |
| K 1200 LT | 1200 | 1999 → 2001 | (x2) | FDB2050 | FDB2102 |
| K 1200 LT | 1200 | 2001 → | (x2) | FDB2125 | FDB2102 |
| K 1200 RS | 1200 | 1997 → 2001 | (x2) | FDB2050 | FDB108 |
| K 1200 RS | 1200 | 2002 → | (x2) | FDB2125 | FDB108 |
| K 1200 RT | 1200 | 2008 → | (x2) | FDB2124 | FDB2039 |
| K 1200 S / R | 1200 | 2004 → | (x2) | FDB2125 | FDB2039 |
| K 1200 ST | 1200 | 1999 → 2001 | (x2) | FDB2050 | FDB736 |
| R 1200 C | 1200 | 1997 → 2000 | (x2) | FDB2050 | FDB2039 |
| R 1200 C CLASSIC | 1200 | 2003 → | (x2) | FDB2124 | FDB2039 |
| R 1200 C MONTAUK | 1200 | 2004 → | (x2) | FDB2124 | FDB2039 |
| R 1200 CL | 1200 | 2003 → | (x2) | FDB2124 | FDB2102 |
| R 1200 GS | 1200 | 2013 → | (x2) | FDB2265 | FDB2039 |
| R 1200 GS /Adventure | 1200 | 2004 → | (x2) | FDB2125 | FDB2039 |
| R 1200 GS ADVENTURE | 1200 | 2014 → | (x2) | FDB2265 | FDB2039 |
| R 1200 R | 1200 | 2007 → | (x2) | FDB2124 | FDB2039 |
| R 1200 RT | 1200 | 2014 → | (x2) | FDB2265 | FDB2006 |
| R 1200 S / ST / RT | 1200 | 2007 → | (x2) | FDB2125 | FDB2039 |
| K 1300 GT | 1300 | 2009 → | (x2) | FDB2124 | FDB2039 |
| K 1300 R | 1300 | 2009 → | (x2) | FDB2124 | FDB2039 |
| K 1300 S | 1300 | 2009 → | (x2) | FDB2125 | FDB2039 |
| K 1600 GT/ GTL/GTL E | 1600 | 2011 → | (x2) | FDB2124 | FDB2006 |

BRANDY-BRAS

| | | | | | |
|-----------|----|---|--|--|--------|
| BRANDY 50 | 50 | → | | | FSB731 |
| BRANDY 90 | 90 | → | | | FSB731 |

BS VILLA

| | | | | | |
|-------|----|--------|--|--------|--------|
| AX 50 | 50 | 1993 → | | FDB636 | FSB788 |
| GZ 50 | 50 | 1993 → | | FDB636 | FSB788 |
| ZX 50 | 50 | 1993 → | | FDB625 | FSB714 |

BSA

| | | | | | |
|----------------|-----|---|--|--------|--------|
| A 7 - A 10 125 | 125 | → | | | FSB924 |
| BANTAM D1 125 | 125 | → | | FSB917 | FSB917 |
| BANTAM D7 175 | 175 | → | | FSB916 | FSB916 |
| C15 250 | 250 | → | | FSB918 | FSB918 |

BUELL

| | | | | | |
|-----------------------------|------|-------------|------|---------|--------|
| all models | | 1994 → 1997 | (x2) | FDB847 | FDB314 |
| all models | | 1998 → 2002 | (x2) | FDB2036 | FDB531 |
| Blast 500 | 500 | 2000 → 2001 | (x2) | FDB664 | FDB531 |
| XB9R | 984 | 2002 → | | FDB2145 | FDB531 |
| XB9S / Lightning City XB9SX | 984 | 2003 → | | FDB2145 | FDB531 |
| XB9SCG | 984 | 2008 → | | FDB2240 | |
| 1125R / CR | 1125 | 2008 → | | FDB2240 | |
| ULYSSES XB12XT | 1200 | 2006 → | | FDB2145 | FDB531 |
| XB12 SX Lightning City X | 1200 | 2010 → | | FDB2240 | FDB531 |
| XB12R Firebolt | 1200 | 2004 → | | FDB2145 | FDB531 |
| XB12S Lightning | 1200 | 2004 → 2008 | | FDB2145 | FDB531 |
| XB12S Lightning | 1200 | 2009 → | | FDB2240 | FDB531 |
| XB12SCG Lightning Low | 1200 | 2006 → 2008 | | FDB2145 | FDB531 |
| XB12SCG Lightning Low | 1200 | 2009 → | | FDB2240 | FDB531 |
| XB12SS Lightning Long | 1200 | 2006 → 2008 | | FDB2145 | FDB531 |
| XB12SS Lightning Long | 1200 | 2009 → | | FDB2240 | FDB531 |

BULTACO

| | | | | | |
|-------------------|-----|--------|--|--------|---------|
| LOBITO 50 | 50 | 1998 → | | FDB706 | FRP405 |
| LOBITO 75 | 75 | 1999 → | | FDB706 | FDB2107 |
| LOBITO 125 | 125 | → | | FSB807 | FSB807 |
| PURSANG MK6 125 | 125 | → | | FSB807 | |
| PURSANG MK7/8 125 | 125 | → | | FSB807 | FSB857 |
| PURSANG MK9 125 | 125 | → | | FSB807 | FSB807 |

* It is recommended that in those applications where sintered pads are supplied as Original Equipment, replacement pads should also be of sintered composition.

** To avoid brake imbalance sintered pads fitted in rear calipers should only be used in combination with front calipers containing sintered pads.



CC FROM → TO



NOTES



NOTES

...BULTACO

| | | | | | | |
|-------------------------|-----|--------|--|--------|--|--------|
| SHERPA 125 | 125 | → | | FSB807 | | FSB857 |
| TRIAL 125 | 125 | → | | FSB807 | | FSB807 |
| SHERPA 150 | 150 | → | | FSB807 | | FSB857 |
| SHERPA 151 | 151 | → | | FSB807 | | FSB857 |
| PURSANG MK6 175 | 175 | → | | FSB807 | | |
| PURSANG MK6 200 | 200 | → | | FSB807 | | |
| PURSANG MK9 200 | 200 | → | | FSB807 | | FSB807 |
| FRONTERA 250 all models | 250 | → | | FSB857 | | FSB857 |
| LOBITO 250 | 250 | → | | FSB807 | | FSB807 |
| PURSANG MK10 250 | 250 | → | | FSB807 | | FSB857 |
| PURSANG MK11 250 | 250 | → | | FSB807 | | FSB857 |
| PURSANG MK12 250 | 250 | → | | FSB807 | | FSB857 |
| PURSANG MK6 250 | 250 | → | | FSB807 | | |
| PURSANG MK7/8 250 | 250 | → | | FSB807 | | FSB857 |
| PURSANG MK9 250 | 250 | → | | FSB857 | | FSB857 |
| SHERCO 250 | 250 | 1999 → | | FRP405 | | FRP405 |
| SHERPA 250 A | 250 | → | | FSB807 | | FSB807 |
| SHERPA 250 I | 250 | → | | FSB807 | | FSB807 |
| SHERPA 250 N | 250 | → | | FSB807 | | FSB807 |
| TRIAL 250 | 250 | → | | FSB807 | | FSB807 |
| FRONTERA 350 all models | 350 | → | | FSB857 | | FSB857 |
| PURSANG MK6 350 | 350 | → | | FSB807 | | |
| SHERPA 350 A | 350 | → | | FSB807 | | FSB807 |
| SHERPA 350 I | 350 | → | | FSB807 | | FSB807 |
| SHERPA 350 N | 350 | → | | FSB807 | | FSB807 |
| TRIAL 350 | 350 | → | | FSB807 | | FSB807 |
| PURSANG MK7/8 360 | 360 | → | | FSB807 | | FSB857 |
| PURSANG MK10 370 | 370 | → | | FSB857 | | FSB857 |
| PURSANG MK11 370 | 370 | → | | FSB857 | | FSB857 |
| PURSANG MK12 370 | 370 | → | | FSB857 | | FSB857 |
| PURSANG MK9 370 | 370 | → | | FSB857 | | FSB857 |

CAGIVA

| | | | | | | |
|------------------------------|-----|-------------|------|---------|--|---------|
| BLUES 50 | 50 | 1989 → | | FDB438 | | FDB694 |
| CITY 50 | 50 | 1992 → 1994 | | FDB625 | | FSB788 |
| CITY 50 | 50 | 1995 → | | FDB2190 | | FSB788 |
| COCIS 50 | 50 | 1988 → | | FDB207 | | FDB694 |
| COCIS 50 | 50 | 1989 → | | FDB207 | | FDB207 |
| CORSA 50 | 50 | 1998 → | | FRP405 | | |
| CUCCILO 50 | 50 | 1997 → | | FDB207 | | |
| LUCKY EXPLORER 50 | 50 | 1988 → | | FDB207 | | FDB694 |
| MANTIS 50 | 50 | 1998 → | | FRP405 | | FSB777 |
| MITO 50 | 50 | 1998 → | | FDB438 | | FRP405 |
| NUVOLA 50 | 50 | 2000 → | | FDB680 | | |
| PASSING 50 | 50 | 1995 → | | FDB2190 | | |
| PROGRESS 50 | 50 | 1997 → | | FRP405 | | FSB777 |
| STELLA 50 | 50 | 1997 → | | FDB2190 | | FDB2190 |
| SUPERCITY 50 | 50 | 1993 → | | FDB529 | | FDB207 |
| W4 PRO ACTION 50 | 50 | 1994 → | | FDB207 | | FDB694 |
| WMX 50 | 50 | 1989 → | | FDB499 | | FDB828 |
| COCIS 80 | 80 | 1989 → | | FDB207 | | FDB694 |
| SUPERCITY 80 | 80 | 1994 → | | FDB529 | | FDB207 |
| W4 PRO ACTION 80 | 80 | 1994 → | | FDB207 | | FDB694 |
| N 90 ENDURO | 90 | 1990 → | | FDB499 | | FDB828 |
| ALETTA 125 ELECTRA | 125 | 1984 → | | FDB694 | | FSB846 |
| ALETTA 125 ELECTRA | 125 | 1988 → | | FDB694 | | FSB901 |
| ALETTA 125 ELECTRA | 125 | 2000 → | | FDB694 | | FSB844 |
| ALETTA 125 ELECTRA CLASSIC | 125 | 1987 → | | FDB694 | | FDB694 |
| ALETTA 125 ORO S2 | 125 | 1986 → | (x2) | FDB694 | | FDB694 |
| BLUES 125 | 125 | 1988 → 1992 | | FDB438 | | FDB207 |
| BLUES 125 | 125 | 1993 → | | FDB438 | | FDB694 |
| CRUISER 125 | 125 | 1987 → | | FDB499 | | FDB694 |
| DAKAR 125 | 125 | 1985 → | | FDB694 | | FSB848 |
| ELEFANT 125 | 125 | 1984 → | | FDB694 | | FSB846 |
| ELEFANT 125 | 125 | 1985 → 1986 | | FDB694 | | FSB848 |
| ELEFANT 125 | 125 | 1987 → | | FDB207 | | FSB848 |
| ELEFANT 125 | 125 | 2000 → | | FDB694 | | FSB844 |
| FRECCIA 125 | 125 | 1987 → | | FDB499 | | FDB207 |
| FRECCIA 125 C10 | 125 | 1988 → | | FDB529 | | FDB207 |
| FRECCIA 125 C10 ANNIVERSARIO | 125 | 1989 → | | FDB529 | | FDB207 |
| FRECCIA 125 C10 R | 125 | 1988 → | | FDB529 | | FDB207 |

* It is recommended that in those applications where sintered pads are supplied as Original Equipment, replacement pads should also be of sintered composition.

** To avoid brake imbalance sintered pads fitted in rear calipers should only be used in combination with front calipers containing sintered pads.



CC FROM → TO



NOTES



NOTES

...CAGIVA

| | | | | | | |
|--------------------------------------|-----|------|---|------|---------|--------|
| FRECCIA 125 C12 R | 125 | 1989 | → | 1990 | FDB529 | FDB207 |
| FRECCIA 125 C12 R | 125 | 1991 | → | | FDB529 | FDB207 |
| FRECCIA 125 C9 | 125 | 1988 | → | | FDB499 | FDB207 |
| GP 125 S ALETTA ORO | 125 | 1985 | → | (x2) | FDB694 | FDB694 |
| K7 125 ENDURO | 125 | 1991 | → | | FDB529 | FDB207 |
| MITO 125 | 125 | 1991 | → | 1992 | FDB529 | FDB207 |
| MITO 125 | 125 | 1993 | → | | FRP408 | FDB207 |
| MITO 2 125 PRODUCTION RACER / Trofeo | 125 | 1994 | → | | FRP408 | FDB207 |
| MITO 525SP | 125 | 2007 | → | (x2) | FRP408 | FDB207 |
| N 125 | 125 | 1991 | → | | FDB529 | FDB694 |
| NUVOLA 125 | 125 | 2000 | → | | FDB680 | |
| PASSING 125 | 125 | 1993 | → | 1997 | FDB2190 | FSB704 |
| PLANET 125 | 125 | 1998 | → | | FRP408 | FDB207 |
| RAPTOR 125 | 125 | 2003 | → | | FRP408 | FDB207 |
| ROADSTER 125 | 125 | 1994 | → | | FDB438 | |
| SST 125 | 125 | 1981 | → | | FDB694 | FSB901 |
| SST 125 LOW RIDER | 125 | 1983 | → | | FDB694 | FSB858 |
| SST 125 spoke wheel | 125 | | → | | FDB694 | FSB858 |
| SUPERCITY 125 | 125 | 1994 | → | | FDB529 | FDB207 |
| SXT 125 | 125 | 1982 | → | | FDB694 | FSB898 |
| TAMANACO 125 | 125 | 1989 | → | | FDB529 | FDB694 |
| W8 125 PRO ACTION | 125 | 1992 | → | 1995 | FDB529 | FDB207 |
| W8 125 PRO ACTION | 125 | 1996 | → | | FDB529 | FDB694 |
| WMX 125 | 125 | 2000 | → | | FSB898 | FSB898 |
| WMX 125 (mozzi Rimoldi) | 125 | 1984 | → | | FSB833 | FSB898 |
| WMX 125 /3 | 125 | 2000 | → | | FSB898 | FSB898 |
| WMX 125 CROSS | 125 | 1986 | → | | FDB207 | FSB841 |
| WMX 125 CROSS | 125 | 1987 | → | | FDB499 | FSB841 |
| WR 125 | 125 | 1993 | → | | FDB497 | FDB250 |
| WRX 125 | 125 | 1982 | → | | FSB898 | FSB898 |
| WRX 125 /1 | 125 | 1983 | → | | FSB898 | FSB898 |
| WSXT 125 ALETTA ROSSA | 125 | 1983 | → | | FDB694 | FSB844 |
| XRX 125 | 125 | 1980 | → | | FSB898 | FSB898 |
| XSST 125 | 125 | 1981 | → | | FDB694 | FSB858 |
| XSST 125 | 125 | 2000 | → | | FDB694 | FSB858 |
| XSST 125 ruota integrale | 125 | 1978 | → | | | FSB901 |
| XWMX 125 | 125 | 1981 | → | | FSB898 | FSB898 |
| ELEFANT 200 | 200 | 1985 | → | | FDB694 | FSB848 |
| ELEFANT 200 | 200 | 1988 | → | | FDB694 | FSB848 |
| ELEFANT 200 A.E. | 200 | 1986 | → | | FDB694 | FSB848 |
| ROADSTER 200 | 200 | 1996 | → | | FDB438 | |
| ALA BLU 250 | 250 | 1983 | → | | FDB207 | FSB849 |
| ALA ROSSA 250 | 250 | 1983 | → | | FDB207 | FSB849 |
| ALA VERDE 250 | 250 | 1983 | → | | FDB207 | FSB853 |
| MXR 250 | 250 | 2000 | → | | FSB901 | FSB901 |
| RX 250 | 250 | 2000 | → | | FSB901 | FSB901 |
| SST 250 | 250 | 1979 | → | 1980 | FSB849 | FSB858 |
| SST 250 | 250 | 1980 | → | | FDB207 | FSB849 |
| SST 250 | 250 | 2000 | → | | FSB849 | FSB859 |
| SSX 250 | 250 | 1982 | → | | FDB207 | FSB853 |
| ST 250 | 250 | 1982 | → | | FDB207 | FSB853 |
| SX 250 | 250 | 1982 | → | | FDB207 | FSB849 |
| SX 250 | 250 | 2000 | → | | FSB849 | FSB849 |
| WMX 250 | 250 | 2000 | → | | FDB207 | FSB898 |
| WMX 250 /1 | 250 | 1983 | → | | FDB207 | FSB898 |
| WMX 250 CROSS | 250 | 1987 | → | | FDB499 | FSB841 |
| WRX 250 | 250 | 1983 | → | | FDB207 | FSB898 |
| WRX 250 | 250 | 2000 | → | | FSB898 | FSB898 |
| ALA AZZURRA 350 | 350 | 1983 | → | | FDB207 | FSB853 |
| ALA AZZURRA 350 GT | 350 | 1987 | → | (x2) | FDB207 | FDB592 |
| ALA BLU 350 | 350 | 1983 | → | | FDB207 | FSB849 |
| ALA ROSSA 350 | 350 | 1983 | → | | FDB207 | FSB849 |
| ALA ROSSA 350 | 350 | 1988 | → | | FDB207 | FSB849 |
| ALA VERDE 350 | 350 | 1983 | → | | FDB207 | FSB853 |
| DG 350 TRIAL | 350 | 1983 | → | | FSB826 | FSB826 |
| ELEFANT 350 | 350 | 1985 | → | | FDB592 | FDB207 |
| SST 350 | 350 | 1981 | → | | FDB207 | FSB849 |
| SST 350 | 350 | 2000 | → | | FSB849 | FSB849 |
| SX 350 | 350 | 1979 | → | 1982 | FSB849 | FSB849 |
| SX 350 | 350 | 1982 | → | | FDB207 | FSB853 |
| SX 350 | 350 | 2000 | → | | FSB849 | FSB849 |
| T4 350 R - ER | 350 | 1987 | → | | FDB207 | FSB848 |

* It is recommended that in those applications where sintered pads are supplied as Original Equipment, replacement pads should also be of sintered composition.

** To avoid brake imbalance sintered pads fitted in rear calipers should only be used in combination with front calipers containing sintered pads.



CC FROM → TO



NOTES



NOTES

...CAGIVA

| | | | | | |
|---------------------------|------|------|-------------|---------|---------|
| W 12 350 | 350 | 1992 | → | FDB529 | FDB207 |
| MXR 400 | 400 | 2000 | → | FSB901 | FSB901 |
| CANYON 500 | 500 | 1995 | → | FDB497 | FDB631 |
| MXR 500 | 500 | 2000 | → | FSB901 | FSB901 |
| T4 500 E - ER | 500 | 1987 | → | FDB207 | FSB848 |
| WMX 500 | 500 | 1984 | → | FDB207 | FSB845 |
| CANYON 600 | 600 | 1996 | → 1997 | FDB663 | FDB631 |
| RIVER 600 | 600 | 1994 | → | FRP408 | FDB207 |
| ALA AZZURRA 650 | 650 | 1984 | → (x2) | FDB207 | FDB207 |
| ALA AZZURRA 650 GT | 650 | 1987 | → (x2) | FDB438 | FDB207 |
| ELEFANT 650 | 650 | 1985 | → | FDB592 | FDB207 |
| RAPTOR 650 / 650 i.e. | 650 | 2001 | → (x2) | FDB2042 | FDB2074 |
| V RAPTOR 650 | 650 | 2001 | → (x2) | FDB2042 | FDB2074 |
| W 16 650 | 650 | 1993 | → | FDB529 | FDB207 |
| DAKAR 750 | 750 | 1987 | → | FDB592 | FDB207 |
| ELEFANT 750 | 750 | 1987 | → | FDB592 | FDB207 |
| ELEFANT 750 | 750 | 1988 | → 1989 | FDB592 | FDB529 |
| ELEFANT 750 | 750 | 1994 | → | FDB663 | FDB2018 |
| ELEFANT 750 BIFARO | 750 | 1990 | → | FDB499 | FDB706 |
| 900 CAT | 900 | 1993 | → (x2) | FDB570 | FDB664 |
| CANYON 900 I.E. | 900 | 1997 | → | FDB663 | FDB631 |
| ELEFANT 900 I.E.- GT - AC | 900 | 1991 | → | FDB663 | FDB631 |
| GRAN CANYON 900 | 900 | 1999 | → (x2) | FDB570 | FDB631 |
| ELEFANT 906 | 906 | 1990 | → | FDB663 | FDB631 |
| NAVIGATOR / NAVIGATOR T | 1000 | 2000 | → 2005 (x2) | FDB570 | FDB631 |
| NAVIGATOR 1000 | 1000 | 2001 | → (x2) | FDB664 | FDB631 |
| RAPTOR 1000 | 1000 | 2000 | → (x2) | FDB2042 | FDB2074 |
| RAPTOR V 1000 | 1000 | 2001 | → (x2) | FDB2042 | FDB2074 |
| RAPTOR X3 1000 | 1000 | 2003 | → (x2) | FDB2120 | FDB2074 |
| RAPTOR XTRA 1000 | 1000 | 2003 | → (x2) | FDB2042 | FDB2074 |

CANNONDALE

| | | | | | |
|------------------------------|-----|------|--------|--------|--------|
| MX 400 | 400 | 2000 | → 2002 | FDB892 | FDB659 |
| 440 (All Enduro / MX Models) | 440 | 2003 | → | FDB892 | FDB659 |
| S 440 SUPERMOTO | 440 | 2003 | → | FDB892 | FDB659 |

CASAL

| | | | | | |
|---------------------------|----|--|---|--------|--------|
| 50 CICLOMOTORI (diam.110) | 50 | | → | FSB860 | FSB860 |
| 50 CICLOMOTORI (diam.140) | 50 | | → | FSB861 | FSB861 |
| RZ 50 | 50 | | → | FDB213 | |

CCM

| | | | | | |
|---------------------|-----|------|---|---------|---------|
| 604 E 600 SPORT | 600 | 1999 | → | FDB2018 | FDB2005 |
| 604 E 600 SUPERMOTO | 600 | 1999 | → | FDB2018 | FDB2005 |
| C 25 600 | 600 | 1996 | → | FDB2018 | FDB2005 |
| 604 RS ROADSTER | 604 | 2000 | → | FDB2018 | FDB2005 |

CFMOTO

| | | | | | |
|---------------------|-----|------|--------|--------|--------|
| CF 150 Leader | 150 | 2010 | → 2012 | | FSB721 |
| CF 250 T - 5 Custom | 250 | 2011 | → 2012 | FDB781 | FDB383 |

CIMATTI

| | | | | | |
|-----------|----|------|---|--------|--|
| Gringo 50 | 50 | | → | FDB213 | |
| Gringo 50 | 50 | 1985 | → | FDB436 | |

CPI

| | | | | | |
|-------------------------|----|------|--------|---------|---------|
| GTR 50 | 50 | 2003 | → | FDB2074 | FDB2057 |
| HUSSAR 50 | 50 | 2001 | → 2002 | FDB313 | FSB731 |
| OLIVER / TNT / STUNT 50 | 50 | 2006 | → | FDB2062 | |
| OLIVER 50 | 50 | 2003 | → 2005 | FDB2191 | FSB731 |
| POPCORN 50 | 50 | 2003 | → | FDB2191 | FSB732 |
| SUPERCROSS 50 | 50 | 2003 | → | FDB2107 | FDB2107 |

* It is recommended that in those applications where sintered pads are supplied as Original Equipment, replacement pads should also be of sintered composition.

** To avoid brake imbalance sintered pads fitted in rear calipers should only be used in combination with front calipers containing sintered pads.



CC FROM → TO



NOTES



NOTES

...CPI

| | | | | | |
|-------------------------|-----|------|--------|---------|---------|
| SUPERMOTO 50 | 50 | 2003 | → | FDB2107 | FDB2107 |
| GTS 50 / 125 / 200 | 125 | 2002 | → 2003 | FDB2106 | FDB2057 |
| HUSSAR 50 / 125 / 150 | 125 | 2003 | → | FDB2191 | FSB731 |
| X-LARGE 125 / 150 / 200 | 125 | 2002 | → | FDB2074 | FDB2074 |

CZ

| | | | | | |
|--------------------------------|-----|------|---|--------|--------|
| adaptable to front 85x20 drums | | | → | FSB936 | |
| JAWA 125 | 125 | 1975 | → | FSB855 | FSB854 |
| JAWA 125 | 125 | 2000 | → | FSB854 | FSB854 |
| JAWA 175 | 175 | 1975 | → | FSB855 | FSB854 |
| JAWA 175 | 175 | 2000 | → | FSB854 | FSB854 |
| CZ 180 | 180 | 1993 | → | FDB207 | |
| JAWA 250 | 250 | 1975 | → | FSB855 | FSB854 |
| JAWA 250 | 250 | 2000 | → | FSB854 | FSB854 |
| JAWA 350 | 350 | 1975 | → | FSB855 | FSB854 |
| JAWA 350 | 350 | 2000 | → | FSB854 | FSB854 |

DAELIM

| | | | | | |
|---------------------|-----|------|--------|--------|--------|
| "S" FIVE / "E" FIVE | 50 | 2001 | → | FDB250 | |
| CORDI 50 | 50 | 2004 | → | FDB250 | |
| GZ 50 MESSAGE | 50 | 2001 | → 2003 | FDB250 | |
| TAPO 50 | 50 | 1999 | → 2003 | FDB250 | |
| VIVO 50 | 50 | 1999 | → | FDB250 | |
| ALTINO 100 | 100 | 1999 | → | FDB250 | |
| DELFINO 100 | 100 | 1999 | → 2000 | FDB250 | |
| DELFINO 100 | 100 | 2001 | → 2003 | FDB250 | |
| CITY ACE 110 | 110 | 2003 | → | FDB312 | |
| ALTINO 125 | 125 | 2001 | → | FDB250 | |
| HISTORY 125 | 125 | 2001 | → | FDB250 | FDB250 |
| NS 125 | 125 | 2001 | → | FDB250 | FDB250 |
| OTELLO / NS 125 | 125 | 1999 | → | FDB250 | FSB964 |
| ROADWIN 125 | 125 | 2004 | → | FDB664 | FDB631 |
| ROCKET 125 | 125 | 1999 | → 2001 | FDB664 | FSB964 |
| VL 125 DAYSTAR | 125 | 2003 | → | FDB664 | |
| VS 125 | 125 | 1995 | → 1998 | FDB250 | |
| VS 125 CUSTOM | 125 | 2001 | → | FDB664 | FSB964 |
| VT 125 MAGNA | 125 | 1997 | → | FDB664 | |

DERBI

| | | | | | |
|----------------------------|----|------|--------|---------|---------|
| all models 50 | 50 | 1983 | → | FSB808 | FSB808 |
| all models 50 | 50 | 1988 | → | FSB811 | FSB811 |
| all models 50 | 50 | 2000 | → | FSB809 | FSB809 |
| all models 50 (disc brake) | 50 | 1983 | → | FDB2107 | FSB808 |
| AVENTURA 50 | 50 | 1996 | → | FDB2107 | FSB867 |
| BOX 50 | 50 | 1994 | → | FSB867 | FSB867 |
| COPPA 50 FDT | 50 | 1986 | → | FDB2107 | FSB867 |
| COPPA 50 FDX | 50 | 1987 | → | FDB2107 | FSB867 |
| DS 50 WORLD CHAMPION | 50 | 1988 | → | FDB2107 | FSB867 |
| FD 50 JUMBO | 50 | 1985 | → | FDB2107 | FSB867 |
| FDS 50 | 50 | 1986 | → | FRP405 | FSB810 |
| FENIX 50 | 50 | 1994 | → | FRP405 | FSB867 |
| FURAX 50 | 50 | 1996 | → | FDB2107 | FSB867 |
| FY 50 JUMBO | 50 | 1984 | → | | FSB867 |
| GP1 50 | 50 | 2002 | → 2006 | FRP405 | |
| GP1 50 OPEN | 50 | 2007 | → | FDB2106 | FRP405 |
| GPR 50 | 50 | 2010 | → | FDB2201 | FDB384 |
| GPR 50 NAKED | 50 | 2004 | → 2006 | FDB2074 | FDB539 |
| GPR 50 R/REPLICA | 50 | 1997 | → 2005 | FDB706 | FRP405 |
| GPR 50 Race Replica | 50 | 2008 | → 2009 | FDB2074 | FRP405 |
| GPR 50 SPORT | 50 | 1996 | → | FDB697 | FDB694 |
| HUNTER 50 | 50 | 1995 | → | FRP405 | FSB777 |
| PADDOCK 50 ST | 50 | 1996 | → | FRP405 | FSB777 |
| PREDATOR 50 | 50 | 1998 | → | FDB2107 | FDB2107 |
| PREDATOR 50 0.2 | 50 | 1999 | → | FDB2107 | FSB777 |
| PROGRESS 50 | 50 | 1997 | → | FRP405 | FSB777 |
| RECORD 50 | 50 | 1998 | → | FDB2107 | FSB777 |
| RUNNER 50 2T Blacksoul | 50 | 2011 | → | FDB497 | FDB680 |

* It is recommended that in those applications where sintered pads are supplied as Original Equipment, replacement pads should also be of sintered composition.

** To avoid brake imbalance sintered pads fitted in rear calipers should only be used in combination with front calipers containing sintered pads.



CC FROM → TO



NOTES



NOTES

...DERBI

| | | | | | | |
|--|-----|------|--------|------|---------|---------|
| SABANA 50 | 50 | 1990 | → | | FDB2107 | FDB2107 |
| SENDA 50 | 50 | 1994 | → | | FRP405 | FDB2107 |
| SENDA DRD Evo 50 | 50 | 2008 | → | | FDB2074 | FDB384 |
| SENDA DRD PRO 50 | 50 | 2005 | → 2007 | | FDB2074 | FRP405 |
| SENDA DRD Pro 50 SM | 50 | 2008 | → | | FDB2074 | FDB2128 |
| SENDA DRD Racing 50 | 50 | 2011 | → | | FDB497 | FDB731 |
| SENDA DRD RACING R 50 | 50 | 2005 | → | | FDB2106 | FRP405 |
| SENDA DRD X-Treme 50 SM | 50 | 2011 | → | | FDB731 | FDB731 |
| SENDA DRS 50 Racing | 50 | 2008 | → | (x2) | FRP405 | FRP405 |
| SPORT EDITION 50 | 50 | 1995 | → | | FRP405 | |
| SUPER MOTARD 50 | 50 | 2001 | → | | FRP405 | FRP405 |
| URBAN 50 | 50 | 1994 | → | | FSB867 | FSB867 |
| VAMOS 50 | 50 | 1994 | → | | FDB2107 | FSB777 |
| VAMOS 50 R | 50 | 1995 | → | | FDB889 | FSB777 |
| VAMOS 50 R | 50 | 1996 | → | | FDB2107 | FSB867 |
| VARIANT 50 SPORT R | 50 | 1994 | → | | FDB2107 | FSB867 |
| COPPA 75 SPORT | 75 | 1985 | → | | FDB2107 | |
| GPR 75 SPORT | 75 | 1990 | → | | FDB697 | FDB694 |
| TT8 75 | 75 | 1984 | → | | FDB207 | FSB867 |
| TT8 75 | 75 | 2000 | → | | FSB810 | FSB810 |
| TT8 75 (camme 10mm) | 75 | 2000 | → | | FSB867 | FSB867 |
| YUMBO 75 RD-2 FDS | 75 | 1987 | → | | FDB2107 | FSB867 |
| GPR 80 CUP | 80 | 2004 | → 2007 | | FDB2074 | FDB539 |
| GPR 80 CUP Criterium Derbi Malossi | 80 | 2008 | → | | FDB2074 | FRP405 |
| BOULEVARD 125 / 150 | 125 | 2003 | → | | FDB2128 | |
| CROSS CITY 125 | 125 | 2008 | → | | FDB2106 | FDB2128 |
| Cross City 125 | 125 | 2009 | → 2013 | | FDB2242 | |
| GPR 125 | 125 | 2010 | → | | FDB2201 | FDB384 |
| GPR 125 / NUDE (Radial Caliper) | 125 | 2004 | → 2009 | | FDB2201 | FRP405 |
| Mulhacen 125 (4T) From ref no.: 7N001791 | 125 | 2007 | → 2010 | | FDB2242 | |
| MULHACEN CAFE' 125 | 125 | 2008 | → | | FDB2074 | FDB384 |
| SENDA 125 R 4T | 125 | 2005 | → | | FDB2106 | FRP405 |
| SENDA BAJA 125 SM | 125 | 2008 | → | | FDB2106 | FDB2128 |
| SENDA DRD 125 | 125 | 2010 | → | | FDB2074 | FDB384 |
| SONAR 125 | 125 | 2011 | → | | FDB680 | |
| TERRA 125 | 125 | 2007 | → 2008 | | FDB2242 | FDB384 |
| TERRA 125 ADVENTURE | 125 | 2008 | → 2009 | | FDB2242 | FDB2128 |
| TERRA 125 ADVENTURE | 125 | 2010 | → 2013 | | FDB2242 | FDB384 |
| TT8 125 | 125 | 1984 | → | | FSB867 | FSB867 |
| TT8 125 | 125 | 2000 | → | | FSB810 | FSB810 |
| TT8 125 (camme 10 mm) | 125 | 2000 | → | | FSB867 | FSB867 |
| FUOCO 500 ie | 500 | 2011 | → | (x2) | FDB497 | FDB2128 |
| MULHACEN CAFE' 659 Angel Nieto Lim. Ed. | 659 | 2008 | → | | FDB2120 | FDB2074 |
| GP800 | 800 | 2010 | → 2010 | (x2) | FDB2018 | FDB2142 |
| GP800 | 800 | 2011 | → | (x2) | FDB2018 | FDB2128 |

DUCATI

| | | | | | | |
|-------------------------|-----|------|--------|------|---------|--------|
| 502 SINGLE | 50 | 1993 | → 1999 | (x2) | FRP408 | FDB207 |
| 502 SUPERMONO | 50 | 1993 | → 1999 | (x2) | FRP408 | FDB207 |
| 250 | 250 | 2000 | → | | | FSB818 |
| 250 DESMO | 250 | 2000 | → | | FDB148 | FSB876 |
| 350 | 350 | 2000 | → | | | FSB818 |
| 350 DESMO | 350 | 2000 | → | | FDB148 | FSB876 |
| 350 F3 | 350 | 1986 | → | (x2) | FDB207 | FDB207 |
| 350 INDIANA | 350 | 1987 | → | | FDB592 | FDB207 |
| 350 S-GTL | 350 | 1975 | → | | FDB207 | FDB207 |
| 350 SPORT GTV-SL-XL | 350 | 1975 | → | (x2) | FDB207 | FDB207 |
| 400 DESMO F3 | 400 | 1987 | → | (x2) | FDB207 | FDB207 |
| 400 MONSTER | 400 | 1995 | → 1997 | | FRP408 | FDB207 |
| 400 MONSTER (JAPAN) | 400 | 2000 | → | | FDB2042 | FDB207 |
| SS 400 JUNIOR | 400 | 1992 | → | (x2) | FRP408 | FDB207 |
| SS 400 NUDA | 400 | 1992 | → | (x2) | FRP408 | FDB207 |
| 450 | 450 | 2000 | → | | | FSB818 |
| 500 GTL SPORT DESMO | 500 | 1975 | → | | FDB207 | FDB207 |
| 500 GTV | 500 | 1977 | → | (x2) | FDB207 | FDB207 |
| 500 PANTAH | 500 | 1977 | → | (x2) | FDB207 | FDB207 |
| S 500 | 500 | 1975 | → | | FDB207 | FDB207 |
| 550 SUPERMONO | 550 | 1993 | → 1999 | (x2) | FRP408 | FDB207 |
| 600 SL | 600 | 1976 | → | (x2) | FDB148 | FDB148 |
| 600 SUPERSPORT CARENATA | 600 | 1994 | → 1999 | (x2) | FRP408 | FDB207 |
| 600 SUPERSPORT NUDA | 600 | 1994 | → 1999 | (x2) | FRP408 | FDB207 |

* It is recommended that in those applications where sintered pads are supplied as Original Equipment, replacement pads should also be of sintered composition.

** To avoid brake imbalance sintered pads fitted in rear calipers should only be used in combination with front calipers containing sintered pads.



CC

FROM → TO



NOTES



NOTES

...DUCATI

| | | | | | | |
|--|-----|------|---|-----------|---------|---------|
| 600 TL PANTAH | 600 | 1976 | → | (x2) | FDB148 | FDB148 |
| M 600 MONSTER | 600 | 1993 | → | 1999 | FRP408 | FDB207 |
| M 600 MONSTER | 600 | 2000 | → | | FDB2042 | FDB207 |
| M 600 MONSTER | 600 | 2001 | → | 2002 | FDB2042 | FDB2074 |
| M 620 MONSTER | 620 | 2002 | → | 2003 | FDB2042 | FDB2074 |
| M 620 MONSTER DARK (single/twin disc) | 620 | 2003 | → | | FDB2042 | FDB207 |
| MULTISTRADA 620 (twin disc) | 620 | 2005 | → | 2006 (x2) | FDB2018 | FDB207 |
| MULTISTRADA 620 DARK (single disc) | 620 | 2005 | → | 2006 | FDB2042 | FDB2074 |
| MULTISTRADA DARK 620 | 620 | 2003 | → | 2005 (x2) | FDB2018 | FDB207 |
| SPORT 620 | 620 | 2003 | → | | FDB2042 | FDB2074 |
| 650 DESMO | 650 | 1987 | → | (x2) | FDB108 | FDB207 |
| 650 INDIANA | 650 | 1986 | → | 1987 (x2) | FDB207 | FDB207 |
| 650 INDIANA | 650 | 1987 | → | | FDB592 | FDB207 |
| MONSTER 695 | 695 | 2006 | → | 2008 (x2) | FDB2018 | FDB2074 |
| MONSTER 696 | 696 | 2008 | → | 2013 (x2) | FDB2042 | FDB2074 |
| 748 / 748R / 748S | 748 | 2001 | → | (x2) | FDB2120 | FDB2074 |
| 748 BIPOSTO | 748 | 1995 | → | 1997 (x2) | FRP408 | FDB207 |
| 748 BIPOSTO | 748 | 1998 | → | (x2) | FDB2042 | FDB207 |
| 748 RACING CLIENTI | 748 | 1995 | → | 1997 (x2) | FDB2007 | FDB207 |
| 748 RACING CLIENTI | 748 | 1998 | → | (x2) | FDB2042 | FDB207 |
| 748 SPS | 748 | 1998 | → | (x2) | FDB2042 | FDB2074 |
| 749 / 749R / 749S / 749 DARK | 749 | 2003 | → | (x2) | FDB2120 | FDB2074 |
| 750 ENDURANCE | 750 | 1987 | → | (x2) | FRP408 | FDB108 |
| 750 F1 DESMO | 750 | 1986 | → | (x2) | FDB108 | FDB207 |
| 750 LAGUNA SECA | 750 | 1987 | → | (x2) | FRP408 | FDB108 |
| 750 PASO | 750 | 1987 | → | (x2) | FDB108 | FDB108 |
| 750 SPORT | 750 | 1989 | → | 2000 (x2) | FDB108 | FDB108 |
| 750 SPORT | 750 | 2001 | → | 2002 (x2) | FDB2042 | FDB2074 |
| 750 SUPERSPORT | 750 | 1976 | → | 1991 (x2) | FDB108 | FDB108 |
| 750 SUPERSPORT | 750 | 1992 | → | 1997 (x2) | FRP408 | FDB207 |
| 750 SUPERSPORT | 750 | 1998 | → | 2002 (x2) | FDB2042 | FDB2074 |
| M 750 MONSTER | 750 | 1996 | → | 1999 (x2) | FRP408 | FDB207 |
| M 750 MONSTER | 750 | 2000 | → | (x2) | FDB2042 | FDB207 |
| M 750 MONSTER | 750 | 2001 | → | 2002 (x2) | FDB2042 | FDB2074 |
| SS 750 CARENATA | 750 | 1993 | → | 1998 (x2) | FRP408 | FDB207 |
| SS 750 NUDA | 750 | 1992 | → | 1998 (x2) | FRP408 | FDB207 |
| HYPERMOTARD 796 | 796 | 2010 | → | (x2) | FDB2042 | FDB2074 |
| MONSTER 796 (ABS Std) | 796 | 2011 | → | 2013 (x2) | FDB2042 | FDB2074 |
| 800 SUPERSPORT | 800 | 2003 | → | (x2) | FDB2042 | FDB2074 |
| MONSTER 800 | 800 | 2003 | → | 2006 (x2) | FDB2042 | FDB207 |
| MONSTER S2R 800 | 800 | 2007 | → | (x2) | FDB2018 | FDB207 |
| HYPERMOTARD SP 821 (ABS Std) | 821 | 2013 | → | (x2) | FDB2265 | FDB2074 |
| HYPERSTRADA 821 (ABS Std) | 821 | 2013 | → | (x2) | FDB2265 | FDB2074 |
| 848 | 848 | 2008 | → | (x2) | FDB2042 | FDB2074 |
| Superbike 848 EVO (Racing version pad) | 848 | 2011 | → | (x2) | FDB2218 | FDB2074 |
| Superbike 848 EVO (Road version pad) | 848 | 2011 | → | (x2) | FDB2260 | FDB2074 |
| Streetfighter 848 | 849 | 2014 | → | (x2) | FDB2042 | FDB2074 |
| 850 GT - GTS | 850 | 1977 | → | 1980 (x2) | FDB342 | |
| 851 all models | 851 | 1988 | → | 1992 (x2) | FRP408 | FDB207 |
| 880 RACING | 880 | 1994 | → | 1995 (x2) | FDB2007 | FDB207 |
| 888 all models | 888 | 1992 | → | 1995 (x2) | FRP408 | FDB207 |
| 899 Panigale (ABS Std) | 898 | 2014 | → | (x2) | FDB2265 | FDB2074 |
| 900 all models | 900 | 1992 | → | 1998 (x2) | FRP408 | FDB207 |
| 900 I.E. PASO | 900 | 1992 | → | 1998 (x2) | FRP408 | FDB207 |
| 900 SUPERMONO DESMO 4 | 900 | 1993 | → | 1995 (x2) | FRP408 | FDB207 |
| FE 900 SUPERSPORT | 900 | 1998 | → | (x2) | FDB2042 | FDB2074 |
| M 900 MONSTER | 900 | 1993 | → | 1999 (x2) | FRP408 | FDB207 |
| M 900 MONSTER | 900 | 2001 | → | (x2) | FDB2042 | FDB2074 |
| M 900 MONSTER I.E. | 900 | 2000 | → | (x2) | FDB2042 | FDB207 |
| 906 PASO | 906 | 1989 | → | 1990 (x2) | FDB108 | FDB108 |
| 916 RACING CLIENTI | 916 | 1995 | → | 1998 (x2) | FDB2007 | FDB207 |
| 916 ST2 | 916 | 2001 | → | 2002 (x2) | FDB2042 | FDB2074 |
| 916 STRADA | 916 | 1998 | → | (x2) | FDB2042 | FDB2074 |
| 916 STRADA / SENNA / SP / SPS | 916 | 1994 | → | 1997 (x2) | FRP408 | FDB207 |
| 916 SUPERSPORT 4 | 916 | 1998 | → | (x2) | FDB2042 | FDB2074 |
| M 916 MONSTER S4 | 916 | 2001 | → | 2002 (x2) | FDB2042 | FDB207 |
| 944 ST2 | 944 | 1997 | → | 2002 (x2) | FDB2042 | FDB2074 |
| 944 ST4 | 944 | 1999 | → | (x2) | FDB2042 | FDB2074 |
| 944 SUPERSPORT 2 | 944 | 1998 | → | 2002 (x2) | FDB2042 | FDB2074 |
| ST3 992 | 992 | 2004 | → | (x2) | FDB2042 | FDB2074 |
| 996 BIPOSTO | 996 | 1999 | → | (x2) | FDB2042 | FDB207 |
| 996 R TESTA STRETTA | 996 | 2001 | → | (x2) | FDB2120 | FDB2074 |

* It is recommended that in those applications where sintered pads are supplied as Original Equipment, replacement pads should also be of sintered composition.

** To avoid brake imbalance sintered pads fitted in rear calipers should only be used in combination with front calipers containing sintered pads.

1016



CC FROM → TO



NOTES



NOTES

...DUCATI

| | | | | | | |
|---|------|------|--------|------|---------|---------|
| 996 SPS / S | 996 | 1998 | → | (x2) | FDB2042 | FDB2074 |
| ST4 / ST4 ABS 996 | 996 | 2001 | → | (x2) | FDB2042 | FDB2074 |
| 998 BIPOSTO | 998 | 2002 | → | (x2) | FDB2042 | FDB2074 |
| 998 R | 998 | 2002 | → | (x2) | FDB2120 | FDB207 |
| 998 S | 998 | 2002 | → | (x2) | FDB2042 | FDB207 |
| 998 SFE | 998 | 2003 | → | (x2) | FDB2120 | FDB207 |
| 999 R / S | 999 | 2003 | → | (x2) | FDB2120 | FDB2074 |
| 1000 all models | 1000 | 1984 | → | (x2) | FDB108 | FDB108 |
| Desmosedici RR (Lim. Ed.) (Road version pad) | 1000 | 2008 | → | (x2) | FDB2260 | FDB2074 |
| Desmosedici RR (Lim. Ed.) (Racing version pad) | 1000 | 2008 | → | (x2) | FDB2218 | FDB2074 |
| GT 1000 | 1000 | 2006 | → 2007 | (x2) | FDB2006 | FDB2074 |
| HYPERMOTARD 1000 | 1000 | 2006 | → | (x2) | FDB2120 | FDB2074 |
| MONSTER 1000 | 1000 | 2003 | → 2006 | (x2) | FDB2042 | FDB207 |
| MONSTER S2R 1000 | 1000 | 2007 | → | (x2) | FDB2042 | FDB207 |
| MONSTER S2R 1000 | 1000 | 2008 | → | (x2) | FDB2042 | FDB2074 |
| MONSTER S4R /S4RS 1000 | 1000 | 2006 | → 2007 | (x2) | FDB2120 | FDB207 |
| MONSTER S4R /S4RS 1000 | 1000 | 2008 | → | (x2) | FDB2042 | FDB2074 |
| MONSTER S4R S Testastretta/tricolore | 1000 | 2008 | → | (x2) | FDB2120 | FDB207 |
| MULTISTRADA 1000 / 1000 DS / 1000S DS | 1000 | 2003 | → 2006 | (x2) | FDB2042 | FDB2074 |
| PAUL SMART 1000 Limited Edition | 1000 | 2007 | → | (x2) | FDB2006 | FDB2074 |
| SPORT 1000 | 1000 | 2006 | → | (x2) | FDB2006 | FDB2074 |
| Sportclassic GT 1000 / SPORT 1000S / Touring | 1000 | 2008 | → | (x2) | FDB2006 | FDB2005 |
| SUPERSPORT 1000 DS | 1000 | 2003 | → | (x2) | FDB2042 | FDB2074 |
| 1098 /1098 S / 1098 R Bayliss Lim. Ed. (Racing version pad) | 1098 | 2007 | → | (x2) | FDB2218 | FDB2074 |
| 1098 /1098 S / 1098 R Bayliss Lim. Ed. (Road version pad) | 1098 | 2007 | → | (x2) | FDB2260 | FDB2074 |
| STREETFIGHTER S (Racing version pad) | 1099 | 2011 | → | (x2) | FDB2218 | FDB2074 |
| STREETFIGHTER S (Road version pad) | 1099 | 2011 | → | (x2) | FDB2260 | FDB2074 |
| HYPERMOTARD 1100 | 1100 | 2007 | → | (x2) | FDB2042 | FDB2074 |
| HYPERMOTARD 1100 EVO | 1100 | 2010 | → | (x2) | FDB2042 | FDB2074 |
| HYPERMOTARD 1100 SP / EVO SP / Corse ed. (Racing version pad) | 1100 | 2010 | → | (x2) | FDB2218 | FDB2074 |
| HYPERMOTARD 1100 SP / EVO SP / Corse ed. (Road version pad) | 1100 | 2010 | → | (x2) | FDB2260 | FDB2074 |
| HYPERMOTARD 1100S (Racing version pad) | 1100 | 2007 | → | (x2) | FDB2218 | FDB2074 |
| HYPERMOTARD 1100S (Road version pad) | 1100 | 2007 | → | (x2) | FDB2260 | FDB2074 |
| MONSTER 1100 / 1100 S | 1100 | 2009 | → | (x2) | FDB2042 | FDB2074 |
| MULTISTRADA 1100 / 1100 S / S Touring / S Sport | 1100 | 2007 | → | (x2) | FDB2042 | FDB2074 |
| Streetfighter / S (Racing version pad) | 1100 | 2010 | → | (x2) | FDB2218 | FDB2074 |
| Streetfighter / S (Road version pad) | 1100 | 2010 | → | (x2) | FDB2260 | FDB2074 |
| 1199 Panigale (ABS Std) (Racing version pad) | 1198 | 2014 | → | (x2) | FDB2218 | FDB2074 |
| 1199 Panigale (ABS Std) (Road version pad) | 1198 | 2014 | → | (x2) | FDB2260 | FDB2074 |
| 1199 Panigale R (ABS Std) (Racing version pad) | 1198 | 2014 | → | (x2) | FDB2218 | FDB2074 |
| 1199 Panigale R (ABS Std) (Road version pad) | 1198 | 2014 | → | (x2) | FDB2260 | FDB2074 |
| 1199 Panigale S (ABS Std) (Racing version pad) | 1198 | 2012 | → | (x2) | FDB2218 | FDB2074 |
| 1199 Panigale S (ABS Std) (Road version pad) | 1198 | 2012 | → | (x2) | FDB2260 | FDB2074 |
| DIAVEL CARBON 1200 (ABS Std) (Racing version pad) | 1198 | 2014 | → | (x2) | FDB2218 | FDB2006 |
| DIAVEL CARBON 1200 (ABS Std) (Road version pad) | 1198 | 2014 | → | (x2) | FDB2260 | FDB2006 |
| DIAVEL DARK 1200 (ABS Std) (Racing version pad) | 1198 | 2014 | → | (x2) | FDB2218 | FDB2006 |
| DIAVEL DARK 1200 (ABS Std) (Road version pad) | 1198 | 2014 | → | (x2) | FDB2260 | FDB2006 |
| DIAVEL STRADA 1200 (ABS Std) (Racing version pad) | 1198 | 2014 | → | (x2) | FDB2218 | FDB2006 |
| DIAVEL STRADA 1200 (ABS Std) (Road version pad) | 1198 | 2014 | → | (x2) | FDB2260 | FDB2006 |
| MULTISTRADA 1200 | 1198 | 2014 | → | (x2) | FDB2042 | FDB2074 |
| MULTISTRADA 1200S Granturismo (ABS Std) | 1198 | 2014 | → | (x2) | FDB2042 | FDB2074 |
| MULTISTRADA 1200S Pikes peak (ABS Std) | 1198 | 2014 | → | (x2) | FDB2042 | FDB2074 |
| MULTISTRADA 1200S Touring (ABS Std) | 1198 | 2010 | → | (x2) | FDB2042 | FDB2074 |
| SUPERBIKE 1198 / S / S Corse / R / SP (Racing version pad) | 1198 | 2009 | → | (x2) | FDB2218 | FDB2074 |
| SUPERBIKE 1198 / S / S Corse / R / SP (Road version pad) | 1198 | 2009 | → | (x2) | FDB2260 | FDB2074 |
| 1199 Panigale Superleggera (Racing version pad) | 1199 | 2014 | → | (x2) | FDB2218 | FDB2074 |
| 1199 Panigale Superleggera (Road version pad) | 1199 | 2014 | → | (x2) | FDB2260 | FDB2074 |
| DIAVEL 1200 (ABS Std) (Racing version pad) | 1200 | 2011 | → | (x2) | FDB2218 | FDB2006 |
| DIAVEL 1200 (ABS Std) (Road version pad) | 1200 | 2011 | → | (x2) | FDB2260 | FDB2006 |
| MONSTER 1200 | 1200 | 2014 | → | (x2) | FDB2265 | FDB2074 |
| MONSTER 1200S (Racing version pad) | 1200 | 2014 | → | (x2) | FDB2218 | FDB2074 |
| MONSTER 1200S (Road version pad) | 1200 | 2014 | → | (x2) | FDB2260 | FDB2074 |

FANTIC

| | | | | | | |
|-----------------------------|----|------|---|--|--------|--------|
| BIG WEEL 50 | 50 | 1994 | → | | FDB636 | FDB828 |
| CABALLERO 50 RC | 50 | 1990 | → | | FDB207 | FDB694 |
| CABALLERO 50 REG. SUPER 6 M | 50 | 2000 | → | | FSB897 | FSB897 |
| CASA 50 | 50 | 1975 | → | | FSB898 | FSB898 |
| COMPETIZIONE 50 | 50 | 1975 | → | | FSB898 | FSB898 |
| ENDURO 50 | 50 | 1983 | → | | FSB897 | FSB897 |
| ENDURO 50 COMPETITION | 50 | 2000 | → | | FSB898 | FSB898 |

* It is recommended that in those applications where sintered pads are supplied as Original Equipment, replacement pads should also be of sintered composition.

** To avoid brake imbalance sintered pads fitted in rear calipers should only be used in combination with front calipers containing sintered pads.



CC FROM → TO



NOTES



NOTES

...FANTIC

| | | | | | |
|---|-----|------|--------|---------|--------|
| ENDURO 50 REPLICA | 50 | 1980 | - | FSB898 | FSB898 |
| FAST 50 | 50 | 1988 | - | FDB697 | FSB898 |
| GRAN TURISMO 50 FOUR (FM. 200) | 50 | 2000 | - | FSB898 | FSB898 |
| GRINTA 50 | 50 | 1995 | - | FDB636 | FDB828 |
| ISSIMO 50 | 50 | 1984 | - | FSB877 | FSB877 |
| ISSIMO 50 (alloy wheels) | 50 | - | - | FSB877 | FSB877 |
| ISSIMO 50 (spoke wheels) | 50 | - | - | FSB902 | FSB902 |
| KOALA 50 | 50 | 1987 | - | FDB694 | FDB694 |
| LEADER 50 | 50 | 1995 | - | FDB636 | FDB828 |
| OASIS 50 .1 | 50 | 1986 | - | FDB697 | FDB624 |
| OASIS 50 .1 E.S. | 50 | 1987 | - | FDB697 | FDB624 |
| OASIS 50 .1 K.S. | 50 | 1987 | - | FDB697 | FSB803 |
| OASIS 50 .1 KICK | 50 | 1987 | - | FDB697 | FSB900 |
| OASIS 50 .1 RALLY | 50 | 1986 | - | FDB697 | FSB803 |
| PONY 50 | 50 | 1993 | - | FSB731 | FSB731 |
| PONY 50 SR | 50 | 1993 | - | FDB636 | FSB731 |
| QUEENIE 50 | 50 | 1995 | - | FDB636 | FSB731 |
| R 6 50 SUPER | 50 | - | - | FSB897 | FSB897 |
| RAIDER 50 | 50 | 1981 | - | FDB731 | FSB803 |
| RAIDER 50 .1 | 50 | 1986 | - | FDB731 | FSB803 |
| REPLICA 50 | 50 | 2000 | - | FSB898 | FSB898 |
| SPRINTER 50 | 50 | 1984 | - | FSB910 | FSB910 |
| SPRINTER 50 3V. R (FM. 248) | 50 | 1983 | - | FSB910 | FSB910 |
| STRADA 50 (FM. 240) | 50 | 1982 | - | FDB731 | FSB898 |
| STRADA 50 SUPER SIX | 50 | 1973 | - | FDB213 | FSB898 |
| TRAILMATIC 50 (FM. 283) | 50 | 1983 | - | FSB803 | FSB803 |
| TRIAL 50 .1 (FM.268) | 50 | 1986 | - | FDB436 | FSB803 |
| TRIAL 50 .1 H2O | 50 | 1987 | - | FDB436 | FSB900 |
| TRIAL 50 .5 | 50 | 1989 | - | FRP405 | FRP405 |
| TRIAL 50 .7 | 50 | 1990 | - | FRP405 | FRP405 |
| TRIAL 50 .9 | 50 | 1991 | - | FRP405 | FRP405 |
| TRIAL 50 I SERIE (mozzi centrali) | 50 | 2000 | - | FSB907 | FSB897 |
| TRIAL 50 II mozzi conici | 50 | 1983 | - | FSB803 | FSB803 |
| TRIAL 50 JUNIOR | 50 | 1987 | - | FSB803 | FSB887 |
| CROSS 80 COMPETITION | 80 | 1981 | - | FSB898 | FSB901 |
| CROSS 80 COMPETITION | 80 | 2000 | - | FSB898 | FSB898 |
| ENDURO 80 | 80 | 1980 | - | FSB898 | FSB901 |
| TRIAL 80 | 80 | 2000 | - | FSB897 | FSB897 |
| CROSS 125 COMPETITION | 125 | 1980 | - | FSB898 | FSB901 |
| ENDURO 125 | 125 | 1980 | - | FSB898 | FSB901 |
| RAIDER 125 | 125 | 1983 | - | FDB694 | FSB899 |
| RAIDER 125 LC | 125 | 1983 | - | FDB694 | FSB899 |
| REGOLARITA' 125 | 125 | 1981 | - | FSB898 | FSB901 |
| RSX 125 | 125 | 1981 | - | FSB847 | FSB847 |
| SPORT 125 | 125 | 2000 | - | FDB696 | FSB876 |
| SPORT 125 HP1 (FM.265) | 125 | 1985 | - | FDB624 | FSB781 |
| SPORT 125 MK II | 125 | 2000 | - | FDB696 | FSB876 |
| SPORT 125 MK II (f.a.tel.1706338) | 125 | 1985 | - | FDB696 | FSB781 |
| STRADA 125 (FM. 4000-A) | 125 | 1983 | - | FDB696 | FSB876 |
| TR 125 CR (2T) Cross Competizione | 125 | 2013 | - | FDB2242 | |
| TR 125 MR (2T) Motard Competizione | 125 | 2013 | - | FDB2242 | |
| TRIAL 125 .1 Progress 1 | 125 | 1986 | - 1986 | FDB436 | FSB898 |
| TRIAL 125 .1 Progress 2 | 125 | 1986 | - | FDB436 | FSB898 |
| TRIAL 125 .3 PROFESSIONAL (FM 361) | 125 | 1987 | - | FDB436 | FDB436 |
| TRIAL 125 .5 | 125 | 1989 | - | FRP405 | FRP405 |
| TRIAL 125 .9 | 125 | 1991 | - | FRP405 | FRP405 |
| TRIAL 125 7 DAYS mozzi conici | 125 | - | - | FSB898 | FSB898 |
| TRIAL 125 7 DAYS(mozzi centrali) | 125 | - | - | FSB897 | FSB847 |
| TRIAL 125 I SERIE. (TEL. grig. m. cen) | 125 | - | - | FSB907 | FSB897 |
| TRIAL 125 II SERIE (tel.rosso m.cen) | 125 | - | - | FSB897 | FSB897 |
| TRIAL 125 III SERIE (mozzi conici) | 125 | - | - | FSB898 | FSB898 |
| TRIAL 125 PROFESSIONAL (FM.237) | 125 | 1983 | - | FSB898 | FSB898 |
| TZ 125 CS (2T) Caballero Cross | 125 | 2011 | - 2012 | FDB2242 | |
| TZ 125 ES (2T) Regolarita Scuderia | 125 | 2011 | - 2012 | FDB2242 | |
| TZ 125 SM (2T) Caballero Motard | 125 | 2011 | - 2012 | FDB2242 | |
| TZ 170 E (125 E / 4T) Regolarita Casa | 170 | 2011 | - 2013 | FDB2242 | |
| TZ 170 ER (125 ER / 4T) Caballero Regolarita Competizione | 170 | 2011 | - 2013 | FDB2242 | |
| TZ 170 SM (125 SM/ 4T) Motard Casa | 170 | 2011 | - 2013 | FDB2242 | |
| TX 180 E (49cc/2T) Regolarita Casa 50E | 180 | 2012 | - 2013 | FDB2242 | |
| TX 180 ER (49cc/2T) Regolarita Competizione 50ER | 180 | 2012 | - 2013 | FDB2242 | |
| TX 180 ES (49cc/2T) Regolarita Scuderia 50ES | 180 | 2012 | - 2013 | FDB2242 | |
| TX 180 MR (49cc/2T) Motard Competizione 50MR | 180 | 2012 | - 2013 | FDB2242 | |

* It is recommended that in those applications where sintered pads are supplied as Original Equipment, replacement pads should also be of sintered composition.

** To avoid brake imbalance sintered pads fitted in rear calipers should only be used in combination with front calipers containing sintered pads.



CC FROM → TO



NOTES



NOTES

...FANTIC

| | | | | | | | |
|---|-----|------|---|------|---------|---------|--|
| TX 180 SM (49cc/2T) Motard Casa 50M | 180 | 2012 | → | 2013 | FDB2242 | | |
| TRIAL 200 Progress 1 | 200 | 1986 | → | | FDB436 | FSB898 | |
| TZ 200 ER (200 ER / 4T) Caballero Regularita Competizione | 200 | 2011 | → | 2013 | FDB2242 | | |
| TZ 200 MR (200 MR / 4T) Motard | 200 | 2011 | → | 2013 | FDB2242 | | |
| TRIAL 201 Progress2 | 201 | 1986 | → | | FDB436 | FSB898 | |
| TRIAL 240 (FM 363) | 240 | 1987 | → | | FDB436 | FDB436 | |
| TRIAL 240 SEVEN DAYS (FM. 289) | 240 | 1986 | → | | FSB899 | FSB898 | |
| TRIAL 241 PROFESSIONAL | 241 | 1986 | → | | FDB436 | FSB898 | |
| TRIAL 249 | 249 | 1990 | → | | FRP405 | FRP405 | |
| COACH 250 | 250 | 1991 | → | | FRP405 | FSB898 | |
| K-ROO 250 | 250 | 1991 | → | | FRP405 | FRP405 | |
| K-ROO 250 | 250 | 1993 | → | | FDB2107 | FDB2107 | |
| RAIDER 250 (FM. 259) | 250 | 1985 | → | | FDB438 | FSB759 | |
| TF 250 ES (4T) | 250 | 2011 | → | 2013 | FDB2242 | | |
| TR 250 ES (2T) Enduro Six Day | 250 | 2013 | → | | FDB2242 | | |
| TR 300 ES (2T) Enduro Six Day | 300 | 2013 | → | | FDB2242 | | |
| TRIAL 300 (FM. 403) | 300 | 1984 | → | | FSB899 | FSB898 | |
| TZ 300 ES Regularita Scuderia | 300 | 2011 | → | 2012 | FDB2242 | | |
| TRIAL 301 Progress 1 (FM. 266) | 301 | 1985 | → | | FDB436 | FSB898 | |
| TRIAL 301 Progress 2 | 301 | 1986 | → | | FDB436 | FSB898 | |
| TRIAL 303 (FM 364) | 303 | 1987 | → | | FDB436 | FDB436 | |
| TRIAL 305 | 305 | 1989 | → | | FRP405 | FRP405 | |
| TRIAL 307 | 307 | 1990 | → | 1991 | FRP405 | FRP405 | |
| TRIAL 200 (FM. 350) | 350 | 1978 | → | | FSB898 | FSB898 | |
| TRIAL 240 (FM. 450) | 450 | 2000 | → | | FSB898 | FSB898 | |

FB MINARELLI

| | | | | | | | |
|-------------------|----|------|---|--|---------|--------|--|
| RIEJU MARATHON 50 | 50 | 1974 | → | | FSB832 | FSB832 | |
| MR 80 | 80 | | → | | FDB2107 | FSB827 | |

GARELLI

| | | | | | | | |
|-------------------------------------|-----|------|---|-----------|---------|--------|--|
| BASIC 50 (alloy wheel fondermonte) | 50 | | → | | FSB877 | FSB877 | |
| BASIC 50 (alloy wheels grimeca) | 50 | | → | | FSB908 | FSB908 | |
| BASIC 50 (spoke wheel) | 50 | | → | | FSB902 | FSB902 | |
| BIG WHEEL 50 | 50 | 1993 | → | 1994 | FDB636 | FDB828 | |
| BIP RACING 50 | 50 | 1994 | → | | FDB636 | | |
| CICLONE 50 I SERIE (spoke wheel) | 50 | | → | | FSB907 | FSB907 | |
| CICLONE 50 II SERIE (alloy wheels) | 50 | | → | | FSB907 | FSB907 | |
| CICLONE 50 N DE LUXE SELF MIX L.C | 50 | | → | | FDB213 | FSB907 | |
| CICLONE 50 N/N DE LUXE SELF MIX L | 50 | | → | | FSB907 | FSB907 | |
| EUREKA 50 | 50 | | → | | FSB902 | FSB902 | |
| FORMUNO 50 (from frame n° 2701552) | 50 | 1987 | → | | FSB906 | FSB908 | |
| FORMUNO 50 (up to frame n° 2701551) | 50 | 1987 | → | | FSB903 | FSB908 | |
| FORMUNO 50 F1 RAID | 50 | 1987 | → | | | FSB908 | |
| GRAN TURISMO 50 (alloy wheel) | 50 | | → | | FSB907 | FSB907 | |
| GRINTA | 50 | 1995 | → | | FDB636 | FSB732 | |
| GULP 50 | 50 | | → | | FSB902 | FSB902 | |
| JUNIOR 50 TURISMO (spoke wheel) | 50 | | → | | FSB910 | FSB910 | |
| KL 50 SV | 50 | | → | | FSB907 | FSB907 | |
| KRS 50 | 50 | 2002 | → | | FDB2190 | FSB777 | |
| NOI 50 (alloy wheels fondermonte) | 50 | | → | | FSB877 | FSB877 | |
| NOI 50 (alloy wheels grimeca) | 50 | | → | | FSB908 | FSB908 | |
| NOI 50 (spoke wheel) | 50 | | → | | FSB902 | FSB902 | |
| NOI 50 MATIC | 50 | | → | | FSB902 | FSB902 | |
| PONY 50 | 50 | 1992 | → | | FSB732 | FSB732 | |
| PONY 50 SR | 50 | 1992 | → | 1995 | FDB636 | FSB732 | |
| QUEENIE | 50 | 1995 | → | | FDB636 | FSB732 | |
| SAHEL 50 | 50 | 1991 | → | | FDB697 | FRP405 | |
| SUPER VIP 50 | 50 | | → | | FSB902 | FSB902 | |
| TEAM MATIC 50 | 50 | 1988 | → | | FSB870 | FSB908 | |
| TIGER 50 XLE | 50 | 1986 | → | | FDB697 | FDB436 | |
| URKA 50 | 50 | 1991 | → | | FDB207 | | |
| VIP 50 (alloy wheels grimeca) | 50 | | → | | FSB908 | FSB908 | |
| VIP 50 (spoke wheel) | 50 | | → | | FSB902 | FSB902 | |
| VIP 50 alloy wheels (fondermonte) | 50 | | → | | FSB877 | FSB877 | |
| SAHEL 80 | 80 | 1989 | → | | FDB697 | FRP405 | |
| FREELAND 125 | 125 | 2002 | → | | FDB2190 | FSB777 | |
| GTA 125 | 125 | 1986 | → | 2000 (x2) | FDB694 | FDB694 | |
| GTA 125 | 125 | 1986 | → | 1986 (x2) | FDB694 | FSB781 | |

* It is recommended that in those applications where sintered pads are supplied as Original Equipment, replacement pads should also be of sintered composition.

** To avoid brake imbalance sintered pads fitted in rear calipers should only be used in combination with front calipers containing sintered pads.



CC FROM → TO



NOTES



NOTES

...GARELLI

| | | | | | | |
|------------------|-----|------|--------|---------|--|--------|
| JOKER 125 | 125 | 2002 | → | FDB2190 | | |
| TIGER 125 XLE | 125 | 1986 | → 1986 | FDB438 | | FDB624 |
| TIGER 125 XR | 125 | | → | FDB207 | | FSB911 |
| TIGER 125 XRD | 125 | | → | FDB207 | | FSB911 |
| TSR 125 | 125 | | → | FDB696 | | FSB876 |
| TSR 125 SELF MIX | 125 | | → | FDB205 | | FSB876 |
| FREELAND 150 | 150 | 2002 | → | FDB2190 | | FSB777 |
| JOKER 150 | 150 | 2002 | → | FDB2190 | | |
| TRIAL 320 | 320 | 1986 | → | FRP405 | | FSB898 |
| TRIAL 320 | 320 | 2000 | → | FSB898 | | FSB898 |

GASGAS

| | | | | | | |
|---------------------------------|-----|------|--------|---------|--|---------|
| EC BOY 50 | 50 | 2001 | → | FDB2103 | | FDB2103 |
| EC ROOKIE 50 | 50 | 2001 | → | FDB438 | | FDB2103 |
| TXT 50 BOY | 50 | 2004 | → | FDB2107 | | FDB2107 |
| ENDURCROSS 80 | 80 | 1994 | → | FDB2018 | | FDB314 |
| CROSS 125 | 125 | 1994 | → | FDB2018 | | FDB438 |
| DELTA 125 | 125 | 1991 | → | FDB2107 | | |
| EC / MC 125 | 125 | 1996 | → 1999 | FDB2018 | | FDB2005 |
| EC / MC 125 | 125 | 2000 | → | FDB892 | | FDB539 |
| ENDURCROSS 125 | 125 | 1994 | → | FDB2018 | | FDB314 |
| JT 12 125 | 125 | 1995 | → | FDB2107 | | FDB2107 |
| PAMPERA 125 | 125 | 1996 | → | FDB2107 | | FDB2107 |
| TRIAL 125 | 125 | 1991 | → | FDB2107 | | |
| TT 125 | 125 | 1995 | → | FDB2018 | | FDB2107 |
| TT 125 ENDURCROSS | 125 | 1993 | → | FDB2018 | | FDB438 |
| TXT 125 | 125 | 2001 | → 2003 | FDB2103 | | FDB2103 |
| TXT 125 / 200 / 250 / 280 / 300 | 125 | 2004 | → | FDB2109 | | FDB2127 |
| JTR 140 CONTACT | 140 | 1996 | → | FDB2107 | | FDB2107 |
| JT 16 150 | 150 | 1995 | → | FDB2107 | | FDB2107 |
| JT 160 | 160 | 1995 | → | FDB2107 | | FDB2107 |
| EC 200 | 200 | 2001 | → | FDB892 | | FDB539 |
| TXT 200 | 200 | 2000 | → 2003 | FDB2103 | | FDB2103 |
| TXT 249 | 249 | 2001 | → 2003 | FDB2103 | | FDB2103 |
| CROSS 250 | 250 | 1995 | → | FDB2018 | | FDB314 |
| EC / MC 250 | 250 | 1996 | → 1999 | FDB2018 | | FDB2005 |
| EC / MC 250 | 250 | 2000 | → | FDB892 | | FDB539 |
| ENDURCROSS 250 | 250 | 1995 | → | FDB2018 | | |
| JT 25 250 | 250 | 1991 | → | FDB2107 | | FDB2107 |
| JT 250 CONTACT | 250 | 1994 | → | FDB2107 | | FDB2107 |
| JTR 250 CONTACT | 250 | 1996 | → | FDB2107 | | FDB2107 |
| PAMPERA 250 | 250 | 1996 | → 2001 | FRP405 | | FRP405 |
| PAMPERA 250 | 250 | 2002 | → | FDB677 | | FDB2103 |
| T 25 250 CONTACT | 250 | 1993 | → | FDB2107 | | FDB2107 |
| TT 250 | 250 | 1995 | → | FDB2018 | | FDB2005 |
| TXT 250 | 250 | 2000 | → | FDB2103 | | FDB2103 |
| JTR 270 CONTACT | 270 | 1996 | → | FDB2107 | | FDB2107 |
| TX 270 | 270 | 2000 | → 1999 | FRP405 | | FRP405 |
| TXT 280 | 280 | 2000 | → | FDB2103 | | FDB2103 |
| EC / MC 300 | 300 | 1996 | → 1999 | FDB2018 | | FDB2005 |
| EC / MC 300 | 300 | 2000 | → | FDB892 | | FDB539 |
| JT 32 320 | 320 | 1991 | → | FDB2107 | | FDB2107 |
| TXT 321 | 321 | 2000 | → | FDB2103 | | FDB2103 |
| HALLEY 325 PCX | 325 | 1987 | → | FDB436 | | FDB436 |
| TRIAL 327 | 327 | 1989 | → | FDB2107 | | FDB2107 |
| GASGAS 350 | 350 | | → | FDB2107 | | FDB2107 |
| JT 350 | 350 | 1995 | → | FDB2107 | | FDB2107 |
| JTR 370 CONTACT | 370 | 1996 | → | FDB2107 | | FDB2107 |
| EC 400 | 400 | 2001 | → | FDB892 | | FDB539 |
| FSE 450 | 450 | 2004 | → | FDB892 | | FDB539 |
| FSE 450 SM | 450 | 2003 | → | FRP408 | | FDB539 |

GILERA

| | | | | | | |
|-----------|----|------|---|--------|--|---------|
| 503 50 | 50 | 1991 | → | FDB436 | | FDB436 |
| BULLIT 50 | 50 | 1990 | → | FDB436 | | FSB829 |
| CB 1 50 | 50 | | → | FSB902 | | FSB889 |
| CBA 50 | 50 | | → | FSB902 | | FSB889 |
| CBA 50 | 50 | 1986 | → | FSB902 | | FSB889 |
| DNA 50 | 50 | 2001 | → | FDB677 | | FDB2057 |

* It is recommended that in those applications where sintered pads are supplied as Original Equipment, replacement pads should also be of sintered composition.

** To avoid brake imbalance sintered pads fitted in rear calipers should only be used in combination with front calipers containing sintered pads.

1020



CC FROM → TO



NOTES



NOTES

...GILERA

| | CC | FROM → TO | | NOTES | | NOTES |
|-----------------------------------|-----|------------------|---------|-------|---------|-------|
| EAGLET 50 | 50 | 1996 → | FDB697 | | FDB828 | |
| EASY MOVING 50 | 50 | 1995 → 1996 | FDB680 | | FSB895 | |
| ECO 50 | 50 | → | FSB902 | | FSB889 | |
| GSM 50 / H @ K 50 | 50 | 2000 → 2003 | FRP405 | | FRP405 | |
| ICE 50 | 50 | 2001 → 2003 | FDB680 | | | |
| NRG 50 | 50 | 1995 → 2003 | FDB680 | | FSB895 | |
| R1 50 | 50 | 1990 → 1998 | | | FSB834 | |
| RALLY 50 | 50 | 1987 → 1990 | | | FSB844 | |
| RC 50 TOP RALLY | 50 | 1990 → 1995 | FDB828 | | FDB828 | |
| RCR 50 | 50 | 2005 → | FRP405 | | FRP405 | |
| RUNNER 50 | 50 | 1997 → 1998 | FDB680 | | FSB938 | |
| RUNNER 50 SP / SKP | 50 | 1999 → 2005 | FDB680 | | FDB2057 | |
| RUNNER 50 SP / SKP | 50 | 2006 → | FDB2142 | | FDB2057 | |
| SMT 50 | 50 | 2005 → | FRP405 | | FRP405 | |
| STALKER 50 | 50 | 1997 → | FDB680 | | FDB2057 | |
| STORM 50 | 50 | 1994 → 1995 | FDB680 | | FSB895 | |
| TREND 50 | 50 | 1989 → 1992 | FSB910 | | FSB889 | |
| TYPHOON 50 | 50 | 1993 → 1995 | FDB680 | | FSB895 | |
| TYPHOON 50 | 50 | 1996 → | FDB680 | | FSB940 | |
| TG1 80 | 80 | → | FDB205 | | FSB901 | |
| TG2 80 | 80 | → | FDB205 | | FSB901 | |
| TG3 80 | 80 | → | FDB205 | | FSB901 | |
| TYPHOON 80 | 80 | 1995 → | FDB680 | | FSB895 | |
| GIUBILEO 98 | 98 | → | FSB847 | | FSB897 | |
| GIUBILEO 124 | 124 | → | FSB847 | | FSB897 | |
| APACHE 125 | 125 | 1991 → | FDB499 | | FDB383 | |
| ARCORE 125 | 125 | → | FSB901 | | FSB897 | |
| ARIZONA 125 | 125 | 1983 → | FDB207 | | FSB838 | |
| ARIZONA HAWK 125 | 125 | 1986 → | FDB438 | | FSB838 | |
| CMM APTS 125 | 125 | 1987 → | FDB438 | | FDB207 | |
| CRONO 125 | 125 | 1991 → | FDB498 | | FDB207 | |
| CX 125 | 125 | 1991 → | FDB498 | | FDB207 | |
| E1 125 | 125 | → | FSB898 | | FSB901 | |
| E1 125 COMPETIZIONE | 125 | → | FSB898 | | FSB901 | |
| ER 125 | 125 | 1987 → | FDB438 | | FSB838 | |
| FAST BIKE 125 | 125 | 1987 → | FDB438 | | FDB207 | |
| GFR 125 | 125 | 1993 → | FDB498 | | FDB207 | |
| GR1 125 | 125 | → | FDB205 | | FSB901 | |
| HX 125 LC | 125 | 1983 → | FDB207 | | FSB911 | |
| KK 125 APTS | 125 | 1987 → | FDB438 | | FDB207 | |
| KZ 125 | 125 | 1986 → | FDB438 | | FDB207 | |
| KZ 125 ENDURANCE | 125 | 1988 → | FDB438 | | FDB207 | |
| MX 1 125 | 125 | 1988 → | FDB498 | | FDB207 | |
| MX R 125 | 125 | 1990 → | FDB498 | | FDB207 | |
| R1 125 S | 125 | 1988 → | FDB438 | | FDB207 | |
| RC 125 RALLY | 125 | 1987 → | FDB438 | | FSB838 | |
| RC 125 TOP RALLY | 125 | 1989 → | FDB499 | | FDB383 | |
| RRT 125 NEBRASKA | 125 | 1987 → | FDB438 | | FSB838 | |
| RRT 125 NEBRASKA (tubeless tires) | 125 | 1987 → 2000 (x2) | FDB438 | | FSB844 | |
| RRT 125 NEBRASKA (tubeless tires) | 125 | 1987 → 2000 | FDB438 | | FSB838 | |
| RTX 125 | 125 | → | FDB438 | | FSB838 | |
| RUNNER 125 | 125 | 2000 → | FDB677 | | FSB954 | |
| RUNNER 125 FX - SP | 125 | 2000 → | FDB677 | | FDB2057 | |
| RUNNER 125 VX 4T | 125 | 2001 → | FDB677 | | FDB2115 | |
| RV 125 | 125 | 1983 → | FDB696 | | FSB876 | |
| RV 125 ES | 125 | 1987 → | FDB438 | | FSB876 | |
| RX 125 | 125 | 1984 → | FDB207 | | FSB838 | |
| SP 01 125 | 125 | 1989 → | FDB498 | | FDB207 | |
| SP 02 125 | 125 | 1990 → | FDB498 | | FDB207 | |
| TG1 125 | 125 | → | FDB205 | | FSB876 | |
| TG2 125 | 125 | → | FDB205 | | FSB876 | |
| TG3 125 | 125 | → | FDB205 | | FSB876 | |
| TYPHOON 125 | 125 | 1995 → | FDB680 | | FSB938 | |
| TYPHOON 125 XR KAT | 125 | 2000 → | FDB680 | | FSB938 | |
| XR1 125 | 125 | 1988 → | FDB438 | | FDB207 | |
| XR2 125 | 125 | 1989 → | FDB438 | | FDB207 | |
| ARCORE 150 | 150 | → | | | FSB901 | |
| RUNNER 180 | 180 | 2000 → | FDB677 | | FSB954 | |
| RUNNER 180 FXR - SP | 180 | 1999 → | FDB677 | | FDB2057 | |
| RUNNER 180 VXR 4T | 180 | 2001 → | FDB677 | | FDB2115 | |
| ARIZONA HAWK 200 | 200 | 1986 → | FDB438 | | FSB838 | |
| ER 200 | 200 | 1987 → | FDB438 | | FSB838 | |

* It is recommended that in those applications where sintered pads are supplied as Original Equipment, replacement pads should also be of sintered composition.

** To avoid brake imbalance sintered pads fitted in rear calipers should only be used in combination with front calipers containing sintered pads.



CC FROM → TO



NOTES



NOTES

...GILERA

| | | | | | |
|----------------------|-----|------|--------|--------------|---------|
| FAST BIKE 200 | 200 | 1987 | → | FDB438 | FDB207 |
| RTX 200 | 200 | 1986 | → | FDB438 | FSB838 |
| RUNNER 200 VXR | 200 | 2004 | → | FDB677 | FDB2115 |
| RV 200 | 200 | 1985 | → | FDB696 | FDB207 |
| RV 200 ES | 200 | 1987 | → | FDB438 | FDB207 |
| RX 200 | 200 | 1985 | → | FDB207 | FSB838 |
| RX 200 ARIZONA | 200 | 1985 | → | FDB207 | FSB838 |
| T4 200 | 200 | | → | FDB205 | FSB876 |
| T4C 200 | 200 | | → | FDB205 | FSB876 |
| T4S 200 | 200 | | → | FDB205 | FSB876 |
| HX 250 LC | 250 | 1983 | → | FDB207 | FSB834 |
| NEXUS 250 IE | 250 | 2007 | → | FDB2142 | FDB2142 |
| NGR 250 | 250 | 1985 | → | (x2) FDB694 | FDB207 |
| RC 250 RALLY | 250 | 1987 | → | FDB438 | FDB207 |
| RX 250 ARIZONA RALLY | 250 | 1986 | → | FDB207 | FSB834 |
| NEXUS 300 | 300 | 2009 | → | FDB2186 | FDB2186 |
| DAKOTA 350 | 350 | 1986 | → | FDB438 | FSB759 |
| ER 350 | 350 | 1987 | → | FDB438 | FSB759 |
| XRT 350 | 350 | 1990 | → | FDB438 | FDB207 |
| DAKOTA 500 | 500 | 1987 | → | FDB438 | |
| ER 500 | 500 | 1987 | → | FDB438 | FSB759 |
| FUOCO 500 | 500 | 2009 | → | (x2) FDB2057 | FDB2186 |
| NEXUS 500 | 500 | 2004 | → | (x2) FDB2018 | FDB2074 |
| SATURNO 500 PIUMA | 500 | 1990 | → | FRP408 | FDB207 |
| RC 600 | 600 | 1989 | → 1990 | FDB499 | FDB383 |
| RC 600 | 600 | 1991 | → | FDB529 | FDB383 |
| RC 600 NORD WEST | 600 | 1991 | → | FDB529 | FDB383 |
| RC 600 R | 600 | 1991 | → | FDB529 | FDB383 |
| RC 600 TOP RALLY | 600 | 1990 | → | FDB499 | FDB383 |
| XRT 600 | 600 | 1988 | → | FDB438 | FDB207 |
| GP800 | 800 | 2008 | → | FDB2018 | FDB625 |

GREKAV

| | | | | | |
|----------|----|--|---|---------|--|
| EIKE 505 | 50 | | → | FDB2154 | |
|----------|----|--|---|---------|--|

HARLEY DAVIDSON

| | | | | | |
|-----------------------------------|------|------|--------|--------------|---------|
| All Touring Models | | 2008 | → | FDB2210 | FDB2210 |
| XL 833 N Iron 883 | 883 | 2012 | → | FDB2179 | FDB2180 |
| XL 883 | 883 | 2004 | → 2008 | FDB2179 | FDB2180 |
| XL 883 C CUSTOM | 883 | 2000 | → 2003 | FDB2097 | FDB2097 |
| XL 883 C CUSTOM | 883 | 2004 | → 2008 | FDB2179 | FDB2180 |
| XL 883 EVO | 883 | 1986 | → 1987 | FDB352 | FDB335 |
| XL 883 EVO | 883 | 1987 | → 1999 | FDB352 | FDB2001 |
| XL 883 L Sportster LOW / SuperLOW | 883 | 2005 | → | FDB2179 | FDB2180 |
| XL 883 N Iron | 883 | 2010 | → | FDB2179 | FDB2180 |
| XL 883 R ROADSTER | 883 | 2002 | → 2003 | FDB2097 | FDB2097 |
| XL 883 R ROADSTER | 883 | 2005 | → 2007 | FDB2179 | FDB2180 |
| XLH 883 | 883 | 2000 | → 2003 | FDB2097 | FDB2097 |
| XLX | 883 | 1983 | → | FDB333 | FDB335 |
| XLX | 883 | 1984 | → 1985 | FDB352 | FDB335 |
| XLCH 1000 Sportster® | 1000 | 1978 | → 1979 | FDB333 | FDB334 |
| XLCR 1000 Cafe Racer | 1000 | 1977 | → 1978 | FDB333 | FDB334 |
| XLH 1000 Sportster® | 1000 | 1978 | → 1981 | FDB333 | FDB334 |
| XLH 1000 Sportster® | 1000 | 1982 | → 1983 | FDB333 | FDB335 |
| XLH 1000 Sportster® | 1000 | 1984 | → 1985 | FDB352 | FDB335 |
| XLS 1000 Roadster® | 1000 | 1979 | → 1981 | FDB333 | FDB334 |
| XLS 1000 Roadster® | 1000 | 1982 | → 1983 | FDB333 | FDB335 |
| XLS 1000 Roadster® | 1000 | 1984 | → 1985 | FDB352 | FDB335 |
| XR 1000 | 1000 | 1983 | → 1985 | FDB352 | FDB335 |
| XL 1100 EVO | 1100 | 1986 | → | FDB352 | FDB335 |
| XL 1200 C CUSTOM | 1200 | 2000 | → 2003 | FDB2097 | FDB2097 |
| XL 1200 C Sporster CUSTOM | 1200 | 2004 | → | FDB2179 | FDB2180 |
| XL 1200 EVO | 1200 | | → 1999 | FDB352 | FDB2001 |
| XL 1200 L LOW | 1200 | 2006 | → 2008 | FDB2179 | FDB2180 |
| XL 1200 N Sportster NIGHTSTER | 1200 | 2007 | → | FDB2179 | FDB2180 |
| XL 1200 R ROADSTER | 1200 | 2004 | → 2008 | FDB2179 | FDB2180 |
| XL 1200 S SPORT | 1200 | 2000 | → 2003 | FDB2097 | FDB2097 |
| XL 1200 X Forty Eight | 1200 | 2010 | → | (x2) FDB2179 | FDB2180 |
| XLH 1200 | 1200 | 2000 | → 2003 | FDB2097 | FDB2097 |

* It is recommended that in those applications where sintered pads are supplied as Original Equipment, replacement pads should also be of sintered composition.

** To avoid brake imbalance sintered pads fitted in rear calipers should only be used in combination with front calipers containing sintered pads.



CC FROM → TO



NOTES



NOTES

...HARLEY DAVIDSON

| | | | | | |
|-----------------------------------|------|-------------|------|---------|---------|
| XR 1200 | 1200 | 2008 → 2010 | (x2) | FDB2114 | FDB2180 |
| XR 1200 X | 1200 | 2010 → | (x2) | FDB2114 | FDB2180 |
| VRSCD X night Rod Special | 1250 | 2010 → | (x2) | FDB2210 | FDB2210 |
| VRSCF V-Rod Muscle | 1250 | 2010 → | (x2) | FDB2210 | FDB2210 |
| FL / FLH Electra Glide® (4-speed) | 1340 | 1972 → | | FDB185 | |
| FL / FLH Electra Glide® (4-speed) | 1340 | 1973 → 1980 | | FDB185 | FDB185 |
| FL / FLH Electra Glide® (4-speed) | 1340 | 1981 → 1984 | | FDB185 | |
| FLHR Road King® (all models) | 1340 | 1994 → 1999 | | FDB352 | FDB485 |
| FLHR Road King® (all models) | 1340 | 2000 → 2007 | | FDB2097 | FDB2097 |
| FLHS Electra Glide® Sport | 1340 | → 1993 | | FDB352 | FDB485 |
| FLHS Electra Glide® Sport | 1340 | 1977 → | | FDB185 | FDB185 |
| FLHT Electra Glide® (all models) | 1340 | 1983 → | | FDB334 | |
| FLHT Electra Glide® (all models) | 1340 | 1984 → 1985 | | FDB352 | |
| FLHT Electra Glide® (all models) | 1340 | 1986 → 1999 | | FDB352 | FDB485 |
| FLHT Electra Glide® (all models) | 1340 | 2000 → 2007 | | FDB2097 | FDB2097 |
| FLST Heritage Softail® | 1340 | → | | FDB352 | FDB335 |
| FLST Heritage Softail® | 1340 | → 1990 | | FDB352 | FDB2001 |
| FLSTC Heritage Softail® Classic | 1340 | → 1999 | | FDB352 | FDB2001 |
| FLSTC Heritage Softail® Classic | 1340 | 2000 → 2007 | | FDB2097 | FDB2202 |
| FLSTF Fat Boy® | 1340 | 1990 → 1999 | | FDB352 | FDB2001 |
| FLSTF Fat Boy® | 1340 | 2000 → 2007 | | FDB2097 | FDB2202 |
| FLSTN Heritage Softail® | 1340 | 1993 → 1996 | | FDB352 | FDB2001 |
| FLSTS / FLSTSI Springer Softail® | 1340 | 2000 → 2005 | | FDB352 | FDB2097 |
| FLSTS Heritage Springer® Softail® | 1340 | 1997 → 1999 | | FDB352 | FDB2001 |
| FLT Tour Glide® (all models) | 1340 | 1980 → 1983 | | FDB334 | |
| FLT Tour Glide® (all models) | 1340 | 1984 → 1985 | | FDB352 | |
| FLT Tour Glide® (all models) | 1340 | 1986 → 1999 | | FDB352 | FDB485 |
| FLTR Road Glide® (all models) | 1340 | 1998 → 1999 | | FDB352 | FDB485 |
| FLTR Road Glide® (all models) | 1340 | 2000 → 2004 | | FDB2097 | FDB2097 |
| FLTR Road Glide® (all models) | 1340 | 2005 → 2006 | | FDB2202 | FDB2202 |
| FX Super Glide® | 1340 | 1973 → | | FDB185 | FDB185 |
| FX Super Glide® | 1340 | 1974 → 1977 | | | FDB185 |
| FX Super Glide® | 1340 | 1978 → 1981 | | FDB333 | FDB185 |
| FXB Sturgis® Belt | 1340 | 1977 → 1981 | | FDB333 | FDB185 |
| FXB Sturgis® Belt | 1340 | 1982 → | | FDB333 | FDB335 |
| FXD Dyna Super Glide® | 1340 | 1995 → 1999 | | FDB352 | FDB2001 |
| FXD Dyna Super Glide® | 1340 | 2000 → 2007 | | FDB2097 | FDB2097 |
| FXDB Dyna Street Bob | 1340 | 1991 → 1992 | | FDB352 | FDB2001 |
| FXDC Dyna Super Glide® Custom | 1340 | 1991 → 1992 | | FDB352 | FDB2001 |
| FXDC Dyna Super Glide® Custom | 1340 | 2008 → | | FDB2250 | FDB2251 |
| FXDG Dyna Glide Sturgis® | 1340 | 1991 → | | FDB352 | FDB2001 |
| FXDL Dyna Low Rider® | 1340 | 1993 → 1999 | | FDB352 | FDB2001 |
| FXDL Dyna Low Rider® | 1340 | 2000 → 2007 | | FDB2097 | FDB2097 |
| FXDL Dyna Low Rider® | 1340 | 2008 → 2008 | | FDB2250 | FDB2251 |
| FXDS-Conv. / Dyna Convertible | 1340 | → | | FDB2097 | FDB2097 |
| FXDS-Conv. / Dyna Convertible | 1340 | 1994 → 1999 | | FDB352 | FDB2001 |
| FXDWG Dyna Wide Glide® | 1340 | 1993 → 1999 | | FDB352 | FDB2001 |
| FXDWG Dyna Wide Glide® | 1340 | 2000 → 2007 | | FDB2097 | FDB2097 |
| FXDWG Dyna Wide Glide® | 1340 | 2008 → | | FDB2250 | FDB2251 |
| FXDX Dyna Super Glide® Sport | 1340 | 1995 → 1999 | | FDB352 | FDB2001 |
| FXDX Dyna Super Glide® Sport | 1340 | 2000 → 2005 | | FDB2097 | FDB2097 |
| FXDXT Super Glide® T - Sport | 1340 | 2001 → 2003 | | FDB2097 | FDB2097 |
| FXE Super Glide® | 1340 | 1973 → | | FDB185 | FDB185 |
| FXE Super Glide® | 1340 | 1974 → 1977 | | | FDB185 |
| FXE Super Glide® | 1340 | 1978 → 1981 | | FDB333 | FDB185 |
| FXE Super Glide® | 1340 | 1982 → 1983 | | FDB333 | FDB335 |
| FXE Super Glide® | 1340 | 1984 → 1985 | | FDB352 | FDB335 |
| FXEF Super Glide® | 1340 | 1978 → 1981 | | FDB333 | FDB185 |
| FXEF Super Glide® | 1340 | 1984 → 1985 | | FDB352 | FDB335 |
| FXLR Low Rider® Custom | 1340 | → 2000 | | FDB352 | FDB335 |
| FXLR Low Rider® Custom | 1340 | → 1994 | | FDB352 | FDB2001 |
| FXR Super Glide® | 1340 | → 1994 | | FDB352 | FDB2001 |
| FXR Super Glide® | 1340 | 1986 → | | FDB352 | FDB335 |
| FXR Super Glide® II | 1340 | 1982 → 1983 | | FDB333 | FDB335 |
| FXRD Sport Glide® Grand Touring | 1340 | 1986 → | | FDB352 | FDB335 |
| FXRS Low Glide | 1340 | → 1992 | | FDB352 | FDB2001 |
| FXRS Low Glide | 1340 | 1984 → | | FDB352 | FDB335 |
| FXRS Super Glide® II | 1340 | 1982 → 1983 | | FDB333 | FDB335 |
| FXRT Sport Glide® | 1340 | → 1992 | | FDB352 | FDB2001 |
| FXRT Sport Glide® | 1340 | 1983 → | | FDB333 | FDB335 |
| FXRT Sport Glide® | 1340 | 1984 → | | FDB352 | FDB335 |
| FXS Black Line | 1340 | 2012 → | | FDB2250 | FDB2251 |

* It is recommended that in those applications where sintered pads are supplied as Original Equipment, replacement pads should also be of sintered composition.

** To avoid brake imbalance sintered pads fitted in rear calipers should only be used in combination with front calipers containing sintered pads.



CC

FROM → TO



NOTES



NOTES

...HARLEY DAVIDSON

| | | | | |
|----------------------------------|------|-------------|---------|---------|
| FXS Sturgis® | 1340 | 1977 → 1981 | FDB333 | FDB185 |
| FXS Sturgis® | 1340 | 1982 → | FDB333 | FDB335 |
| FXSB Low Rider® | 1340 | 1983 → | FDB333 | FDB335 |
| FXSB Low Rider® | 1340 | 1984 → 1985 | FDB352 | FDB335 |
| FXST Softail® | 1340 | → 1990 | FDB352 | FDB2001 |
| FXST Softail® | 1340 | 1984 → | FDB352 | FDB335 |
| FXST Softail® Standard | 1340 | 1999 → | FDB352 | FDB2001 |
| FXST Softail® Standard | 1340 | 2000 → 2005 | FDB2097 | FDB2097 |
| FXST Softail® Standard | 1340 | 2006 → 2007 | FDB2097 | FDB2202 |
| FXSTB Night Train® | 1340 | → 1999 | FDB352 | FDB2001 |
| FXSTB Night Train® | 1340 | 2000 → 2005 | FDB2097 | FDB2097 |
| FXSTB Night Train® | 1340 | 2006 → 2007 | FDB2097 | FDB2202 |
| FXSTB Night Train® | 1340 | 2008 → | FDB2250 | FDB2251 |
| FXSTC Softail® Custom | 1340 | → 1999 | FDB352 | FDB2001 |
| FXSTC Softail® Custom | 1340 | 1986 → | FDB352 | FDB335 |
| FXSTC Softail® Custom | 1340 | 2007 → | FDB2097 | FDB2097 |
| FXSTC Softail® Custom | 1340 | 2008 → | FDB2250 | FDB2251 |
| FXSTD Softail® Duece® | 1340 | 2000 → 2007 | FDB2097 | FDB2202 |
| FXSTS / FXSTSI Springer Softail® | 1340 | 2000 → 2005 | FDB352 | FDB2097 |
| FXSTS / FXSTSI Springer Softail® | 1340 | 2006 → | FDB352 | FDB2202 |
| FXSTS Springer Softail® | 1340 | → 1999 | FDB352 | FDB2001 |
| FXSTSB Bad Boy | 1340 | 1995 → 1997 | FDB352 | FDB2001 |
| FXWG Wide Glide® | 1340 | 1980 → 1981 | FDB333 | FDB185 |
| FXWG Wide Glide® | 1340 | 1982 → 1983 | FDB333 | FDB335 |
| FXWG Wide Glide® | 1340 | 1984 → 1986 | FDB352 | FDB335 |
| VRSC V-Rod® (All Models) | 1340 | 2000 → 2005 | FDB2097 | FDB2097 |
| VRSC V-Rod® (All Models) | 1340 | 2006 → 2008 | FDB2210 | FDB2210 |
| FLHR Road King® (all models) | 1450 | 2008 → | FDB2210 | FDB2210 |
| FLHT Electra Glide® (all models) | 1450 | 2008 → | FDB2210 | FDB2210 |
| FLHX Street Glide® | 1450 | 2006 → 2007 | FDB2097 | FDB2097 |
| FLHX Street Glide® | 1450 | 2008 → | FDB2210 | FDB2210 |
| FLST Heritage Softail® | 1450 | 2006 → | FDB2097 | FDB2202 |
| FLSTC Heritage Softail® Classic | 1450 | 2008 → 2010 | FDB2250 | FDB2251 |
| FLSTF Fat Boy® /Fat Boy® Special | 1450 | 2008 → | FDB2250 | FDB2251 |
| FLSTN Softail® Deluxe | 1450 | 2005 → 2007 | FDB2097 | FDB2097 |
| FLSTN Softail® Deluxe | 1450 | 2008 → | FDB2250 | FDB2251 |
| FLSTSB Crossbones® | 1450 | 2008 → | FDB352 | FDB2251 |
| FLSTSC Springer® Classic | 1450 | 2005 → | FDB352 | FDB2097 |
| FLSTSC Springer® Classic | 1450 | 2006 → 2007 | FDB352 | FDB2202 |
| FLTR Road Glide® (all models) | 1450 | 2007 → 2008 | FDB2250 | FDB2251 |
| FLTR Road Glide® (all models) | 1450 | 2008 → | FDB2210 | FDB2210 |
| FXCW Rocker® | 1450 | 2008 → | FDB2250 | FDB2251 |
| FXCWC Rocker® C | 1450 | 2008 → 2010 | FDB2250 | FDB2251 |
| FXD Dyna Super Glide® | 1450 | 2008 → | FDB2250 | FDB2251 |
| FXDB Dyna Street Bob | 1450 | 2005 → 2007 | FDB2097 | FDB2097 |
| FXDB Dyna Street Bob | 1450 | 2008 → | FDB2250 | FDB2251 |
| FXDC Dyna Super Glide® Custom | 1450 | 2005 → 2007 | FDB2097 | FDB2097 |
| FLST SB Softail Cross Bones | 1584 | 2010 → | | FDB2251 |
| FXCWC Softail Rocker C | 1584 | 2010 → | FDB2250 | FDB2251 |
| FXDF Fatbob® | 1584 | 2008 → (x2) | FDB2250 | FDB2251 |
| FLD Switch Back | 1690 | 2012 → | FDB2250 | FDB2251 |
| FLHTC Electra Glide Classic | 1690 | 2010 → (x2) | FDB2210 | FDB2210 |
| FLHTK Electra Glide Ultra Ltd. | 1690 | 2010 → (x2) | FDB2210 | |

HERCULES

| | | | | |
|-------------|----|---|--------|--|
| Lotus 80 SA | 80 | → | FDB213 | |
| Lotus 80 SW | 80 | → | FDB207 | |

HERCULES (SACHS)

| | | | | |
|------------------------------|----|--------|--------|--------|
| CHOPPER 50 | 50 | → (x2) | FDB213 | |
| GIPSY 50 | 50 | 1993 → | FDB680 | FSB704 |
| LIMBO 50 | 50 | 1993 → | FSB703 | FSB704 |
| RX - 9 / RX - 9 50 AIRCOOLED | 50 | → | FDB213 | |
| SAMBA SR 50 | 50 | 1993 → | FSB704 | FSB704 |
| SUPRA 50 4 GP | 50 | → | FDB213 | |
| ULTRA 50 RS | 50 | → | FDB213 | |
| ULTRA 50 RS 40 | 50 | → | FDB213 | |
| SAMBA SR 80 | 80 | 1993 → | FDB672 | FSB704 |
| ULTRA 80 RS | 80 | → | FDB213 | |

* It is recommended that in those applications where sintered pads are supplied as Original Equipment, replacement pads should also be of sintered composition.

** To avoid brake imbalance sintered pads fitted in rear calipers should only be used in combination with front calipers containing sintered pads.



CC FROM → TO



NOTES



NOTES

...HERCULES (SACHS)

| | | | | | |
|----------------|-----|------|------|--------|--------|
| ULTRA 80 RS AC | 80 | → | (x2) | FDB213 | |
| SAMBA SR 125 | 125 | 1993 | → | FDB672 | FSB704 |
| ULTRA 125 RS | 125 | → | | FDB213 | |

HERO

| | | | | | |
|-----------------|-----|------|--------|---------|--|
| Karizma ZMR 230 | 320 | 2011 | → 2012 | FDB2169 | |
|-----------------|-----|------|--------|---------|--|

HONDA

| | | | | | |
|---------------------------|----|------|--------|---------|---------|
| C 50 Z2 ZZ ZA | 50 | 1975 | → 1993 | FSB704 | FSB704 |
| CAMINO 50 all models | 50 | 1980 | → | FSB712 | FSB712 |
| CB 50 J all models | 50 | 1981 | → | FSB704 | FSB704 |
| CF 50 CHALY | 50 | 1979 | → | FSB704 | FSB704 |
| CR 50 R | 50 | 1986 | → | FDB382 | |
| CR 50 RE - RF | 50 | 1984 | → | FSB714 | FSB714 |
| CRE 50 Baja | 50 | 2011 | → | FDB497 | FDB828 |
| CRE 50 SIX Comp. | 50 | 2007 | → 2012 | FDB2268 | FDB2162 |
| CRE 50 Six Racing | 50 | 2011 | → | FDB892 | FDB2162 |
| CRF 50R | 50 | 2004 | → | FSB702 | FSB702 |
| CRM 50 | 50 | 1988 | → 1992 | FDB250 | FSB756 |
| CRM 50 | 50 | 1993 | → 1996 | FDB250 | FDB539 |
| CRM 50 Derapage | 50 | 2011 | → | FDB497 | FDB828 |
| CRM 50 Derapage Comp. | 50 | 2007 | → 2012 | FDB2268 | FDB2162 |
| DAX 50 | 50 | 1993 | → 1996 | FSB704 | FSB704 |
| G-DASH 50 | 50 | 1989 | → 1992 | FDB250 | FSB714 |
| GP 50 DIO | 50 | 1991 | → 1995 | FDB625 | FSB714 |
| HM 50 CRE | 50 | 2006 | → | FDB677 | FDB2128 |
| LIFE DIO 50 | 50 | 1994 | → | FSB714 | FSB714 |
| MB 50 | 50 | 1982 | → | FDB250 | FSB705 |
| MBX 50 SD - SF | 50 | 1983 | → | FDB312 | FSB705 |
| MONKEY 50 | 50 | 1988 | → | | FSB704 |
| MT 50 | 50 | 1980 | → | FSB705 | FSB705 |
| MTX 50 S | 50 | 1983 | → | FSB705 | FSB705 |
| MXR 50 | 50 | → | | FDB250 | FSB705 |
| NB 50 | 50 | 1985 | → | FSB702 | FSB703 |
| NB 50 DELUX | 50 | 1982 | → | FSB702 | FSB703 |
| NB 50 MELODY | 50 | 1982 | → | FSB702 | FSB703 |
| NB 50 MSB | 50 | 1982 | → | FSB702 | FSB703 |
| NC 50 A | 50 | 1982 | → | FSB702 | FSB702 |
| NC 50 B | 50 | 1982 | → | FSB702 | FSB702 |
| NC 50 C | 50 | 1982 | → | FSB702 | FSB702 |
| NC 50 EXPRESS 2 | 50 | 1982 | → | FSB702 | FSB702 |
| NC 50 EXPRESS 3 | 50 | 1982 | → | FSB702 | FSB702 |
| NC 50 KI | 50 | 1979 | → | FSB702 | FSB702 |
| NC 50 Z EXPRESS | 50 | 1979 | → | FSB702 | FSB702 |
| ND 50 | 50 | 1982 | → | FSB702 | FSB703 |
| ND 50 MELODY 2 all models | 50 | 1982 | → | FSB702 | FSB703 |
| NE 50 VISION | 50 | 1985 | → | FSB702 | FSB703 |
| NH 50 LEAD | 50 | 1988 | → 1992 | FDB2192 | FSB703 |
| NH 50 LEAD | 50 | 1993 | → 1994 | FSB704 | FSB703 |
| NH 50 LEAD | 50 | 1994 | → | FDB672 | FSB703 |
| NH 50 LEAD | 50 | 2000 | → | FSB704 | FSB703 |
| NP 50 D MELODY MINI | 50 | 1983 | → | FSB702 | FSB703 |
| NSC 50 | 50 | 2012 | → | FDB2256 | FSB963 |
| NSR 50 | 50 | 1993 | → 1994 | FDB312 | FSB705 |
| NSR 50 | 50 | 1994 | → 2000 | FDB631 | FSB705 |
| NSR 50 (Spain) | 50 | → | | FDB312 | FDB539 |
| NU 50 MC RUNAWAY | 50 | 1982 | → | FSB714 | FSB703 |
| NV 50 MSD STREA | 50 | 1984 | → | FSB703 | FSB703 |
| NX 50 A | 50 | 1982 | → | FSB702 | FSB703 |
| NX 50 B | 50 | 1982 | → | FSB702 | FSB703 |
| NX 50 MB CAREN | 50 | 1982 | → | FSB702 | FSB703 |
| OR 50 | 50 | 1993 | → | FSB702 | FSB703 |
| PA 50 all models | 50 | 1980 | → | FSB712 | FSB712 |
| PC 50 KI | 50 | 1979 | → | FSB702 | FSB702 |
| PF 50 M | 50 | 1975 | → | FSB712 | FSB712 |
| PK 50 WALLAROO DX - STD | 50 | 1990 | → 2001 | FSB714 | FSB704 |
| PX 50 all models | 50 | 1982 | → 1983 | FSB712 | FSB703 |
| PX 50 E | 50 | 1984 | → | FSB712 | FSB752 |
| PXR 50 ALL MODELS | 50 | 1985 | → 1995 | FSB758 | FSB754 |

* It is recommended that in those applications where sintered pads are supplied as Original Equipment, replacement pads should also be of sintered composition.

** To avoid brake imbalance sintered pads fitted in rear calipers should only be used in combination with front calipers containing sintered pads.



CC

FROM → TO



NOTES



NOTES

...HONDA

| | | | | |
|------------------------|----|-------------|-------------|---------|
| QA 50 K1/3 | 50 | 1987 → 1990 | FSB704 | FSB704 |
| QR 50 | 50 | 1993 → | FSB702 | FSB714 |
| QR 50 ED | 50 | 1982 → 1990 | FSB702 | FSB703 |
| SA 50 ELITE LX | 50 | 1988 → 1990 | FSB702 | FSB703 |
| SA 50 J VISION MET-IN | 50 | 1988 → 1990 | FSB714 | FSB714 |
| SAA 50 VISION | 50 | 1993 → | FSB714 | FSB714 |
| SFX 50 | 50 | 1995 → | FDB680 | FSB704 |
| SH 50 CITY EXPRESS | 50 | 1984 → 1996 | FSB704 | FSB715 |
| SH 50 SCOOPY | 50 | 1988 → 1994 | FSB715 | FSB715 |
| SH 50 SCOOPY / FIFTY | 50 | 1997 → 2003 | FDB680 | FSB704 |
| SJ 50 BALI | 50 | 1993 → 1999 | FDB2060 | FSB704 |
| SKY 50 | 50 | 1997 → | FDB680 | FSB704 |
| SKY 50 VETRO | 50 | 2000 → | FDB680 | FSB704 |
| SR 50 DIO | 50 | 1990 → | FDB625 | FSB714 |
| SR 50 LIFE DIO | 50 | 1994 → | FDB625 | FSB714 |
| SS 50 ZB2 | 50 | 1977 → 1980 | | FSB704 |
| SS 50 ZK2 | 50 | 1975 → 1977 | FSB704 | FSB704 |
| ST 50 | 50 | 1978 → 1993 | FSB704 | FSB704 |
| ST 50 DAX | 50 | 1993 → 1996 | FSB704 | FSB704 |
| SUPER DIO 50 SR | 50 | 1991 → 1992 | FDB625 | FSB714 |
| SUPER DIO 50 ZX | 50 | 1992 → | FDB625 | FSB714 |
| SXR 50 | 50 | 1997 → 1999 | FDB680 | |
| TLM 50 F | 50 | 1985 → | FSB714 | FSB714 |
| VT 50 SHADOW | 50 | 1998 → | | FSB704 |
| X8R 50 S | 50 | 1998 → | FDB680 | FDB2101 |
| X8R 50 X | 50 | 1998 → | FDB680 | FDB2101 |
| XL 50 | 50 | → | FSB705 | FSB705 |
| XR 50 DIO BAJA | 50 | 1994 → | FDB625 | FSB714 |
| XR 50 R | 50 | 2000 → | FSB702 | FSB702 |
| YUPY 50 | 50 | 1992 → | FDB625 | |
| Z 50 all models | 50 | 1979 → 1991 | FSB702 | FSB702 |
| ZX 50 LIFE DIO | 50 | 1994 → | FDB625 | FSB714 |
| ZX DIO 50 | 50 | 1995 → | FDB625 | FSB714 |
| CR 60 R | 60 | 1986 → | FSB714 | FSB714 |
| CR 60 RG | 60 | 1986 → | FSB714 | FSB714 |
| C 70 all models | 70 | 1975 → | FSB704 | FSB704 |
| CF 70 C | 70 | 1978 → 1979 | FSB704 | FSB704 |
| CF 70 K2 | 70 | 1978 → 1980 | FSB704 | FSB704 |
| CRF 70F | 70 | 2004 → | FSB714 | FSB714 |
| DAX ST 70 | 70 | 1978 → 1980 | FSB704 | FSB704 |
| XR 70 RV | 70 | 1997 → 2003 | FSB714 | FSB714 |
| CRM 75 | 75 | 1990 → 1994 | FDB495 | FDB539 |
| CRM 75 R | 75 | 1990 → 1994 | FDB495 | FDB539 |
| NF 75 | 75 | 1979 → | FSB704 | FSB704 |
| NS-1 75 | 75 | 1992 → | FDB2087 | FDB783 |
| NSR 75 / FII | 75 | 1988 → 2000 | FDB312 | FSB705 |
| SA 75 VISION | 75 | 1988 → | FSB704 | FSB714 |
| SH 75 SCOOPY | 75 | 1988 → 1995 | FSB704 | FSB715 |
| XR 75 K4 | 75 | 1975 → 1979 | FSB705 | FSB705 |
| XR 75 K5 | 75 | 1979 → | FSB704 | FSB705 |
| YUPY 75 | 75 | 1991 → | FDB539 | FSB704 |
| CH 80 ELITE | 80 | 1985 → 1990 | FSB704 | FSB714 |
| CR 80 R | 80 | 1987 → 1991 | FDB250 | FSB756 |
| CR 80 R | 80 | 1992 → 2006 | FDB250 | FDB539 |
| CR 80 R | 80 | 2007 → | FDB661 | FDB539 |
| CR 80 R2F | 80 | 1985 → | FSB705 | FSB756 |
| CR 80 RA - RB | 80 | 1980 → 1981 | FSB705 | FSB705 |
| CR 80 RC | 80 | 1982 → | FSB705 | FSB714 |
| CR 80 RD - RE - RF | 80 | 1983 → 1984 | FSB714 | FSB714 |
| CR 80 RG | 80 | 1986 → | FDB382 | FSB756 |
| CRM 80 | 80 | 1988 → 1992 | FDB250 | FSB756 |
| CRM 80 | 80 | 1993 → | FDB250 | FDB539 |
| MB 80 | 80 | 1980 → | FDB313 | FSB756 |
| MBX 80 | 80 | 1982 → | FDB312 | FSB705 |
| MBX 80 (ESPANA) | 80 | 1984 → | FDB312 | FSB704 |
| MBX 80 DX | 80 | 1982 → | FDB312 | FSB705 |
| MBX 80 FWD | 80 | 1983 → | (x2) FDB250 | FSB705 |
| MBX 80 VOLLUERKLEIDUNG | 80 | 1985 → | FDB312 | FSB705 |
| MCX 80 all models | 80 | 1982 → 1984 | FDB313 | FSB705 |
| MT 80 all models | 80 | 1980 → 1984 | FSB705 | FSB705 |
| MTX 80 all models | 80 | 1982 → 1984 | FSB705 | FSB705 |
| NH 80 LEAD | 80 | 1988 → | FDB2192 | FSB703 |

* It is recommended that in those applications where sintered pads are supplied as Original Equipment, replacement pads should also be of sintered composition.

** To avoid brake imbalance sintered pads fitted in rear calipers should only be used in combination with front calipers containing sintered pads.



CC

FROM → TO



NOTES



NOTES

...HONDA

| | | | | |
|---------------------------------------|-----|-------------|---------|---------|
| NH 80 LEAD | 80 | 2000 → | FSB704 | FSB703 |
| NH 80 LEAD AERO | 80 | 1983 → 1984 | FSB704 | FSB703 |
| NH 80 LEAD M D AERO | 80 | 1983 → 1986 | FSB704 | FSB703 |
| NH 80 LEAD SCOOTER | 80 | 1985 → | | FSB703 |
| NH 80 LEAD SCOOTER | 80 | 1986 → 1987 | | FSB703 |
| NSR 80 R | 80 | 1987 → 1992 | FDB312 | FDB539 |
| NSR 80 R | 80 | 1993 → 1998 | FDB631 | FDB539 |
| SH 80 | 80 | 1984 → | FSB704 | FSB715 |
| SH 80 SCOOPY | 80 | 1988 → | FSB704 | FSB715 |
| XR 80 A - B - Z | 80 | 1980 → 1984 | FSB705 | FSB705 |
| XR 80 R | 80 | 1985 → | FSB714 | FSB714 |
| XR 80 RJ | 80 | 1989 → | FSB705 | FSB705 |
| CR 85 R/RB | 85 | 2003 → 2007 | FDB661 | FDB539 |
| C 90 | 90 | 1993 → | FSB705 | FSB705 |
| C 90 C - E - G - M - FG | 90 | 1975 → | FSB704 | FSB704 |
| C 90 Z2 - ZZ | 90 | 1975 → 1991 | FSB704 | FSB704 |
| EZ 90 CUB | 90 | 1990 → | FSB704 | FSB704 |
| VT 90 SHADOW | 90 | 1998 → | | FSB704 |
| YUPY 90 (NH 90) | 90 | 1990 → | FDB672 | FSB705 |
| CB 100 N | 100 | 1978 → | FDB485 | FSB705 |
| CRF 100R | 100 | 2004 → | FSB714 | FSB714 |
| H 100 A - SD | 100 | 1982 → | FSB704 | FSB704 |
| LEAD 100 | 100 | → | FDB382 | |
| LEAD 100 | 100 | → | FDB2119 | FSB963 |
| SH 100 Scoopy | 100 | 1996 → 2001 | FDB680 | FSB704 |
| SJ 100 BALI - EX | 100 | 1998 → 1999 | FDB2060 | FSB704 |
| SUPRA 100 | 100 | 1999 → | FDB631 | FSB704 |
| SUPRA 100 | 100 | 2000 → | FSB704 | FSB704 |
| XL 100 all models | 100 | 1978 → | FSB705 | FSB705 |
| XR 100 R | 100 | 1985 → 2003 | FSB714 | FSB714 |
| CT 110 K/M/P | 110 | 1989 → 2003 | FSB704 | FSB705 |
| CT 110 P | 110 | 1989 → 2004 | FSB705 | FSB705 |
| CT 110 X | 110 | 2004 → | FSB705 | FSB963 |
| NSC 110 | 110 | 2011 → | FDB2256 | FSB963 |
| SCV 110 | 110 | 2010 → 2011 | FDB2256 | FSB963 |
| 125 DYLAN | 125 | 2002 → | FDB2119 | FSB963 |
| 125 PANTHEON | 125 | 1998 → 1999 | FDB2073 | FSB946 |
| 125 PANTHEON | 125 | 2000 → | FDB2075 | FSB946 |
| @ 125 NES | 125 | 2000 → | FDB2119 | FSB963 |
| @ 125 NES | 125 | 2001 → | FDB382 | FSB963 |
| ANF 125 INNOVA | 125 | 2003 → 2011 | FDB2169 | FSB704 |
| CA 125 REBEL | 125 | 1995 → 1997 | FDB497 | FSB709 |
| CA 125 REBEL | 125 | 1998 → | FDB2060 | FSB709 |
| CB 125 J | 125 | 1979 → | FDB485 | FSB705 |
| CB 125 K1 - K5 | 125 | 1972 → 1976 | | FSB706 |
| CB 125 K6 - S2 | 125 | 1976 → 1977 | | FSB706 |
| CB 125 RS | 125 | 1983 → | FDB250 | FSB706 |
| CB 125 T | 125 | 1978 → | FDB485 | FSB706 |
| CB 125 T2 - TA - TB | 125 | 1979 → | FDB485 | FSB706 |
| CB 125 TDC - TDE - TDJ | 125 | 1983 → 1989 | FDB244 | FSB706 |
| CB 125 TT | 125 | 1990 → | FDB663 | FSB706 |
| CBF 125 | 125 | 2011 → | FDB497 | |
| CBF 125 M | 125 | 2009 → 2012 | FDB2169 | FSB963 |
| CBR 125 R (5 Bolt Front Disc Fitting) | 125 | 2011 → 2013 | FDB2169 | FDB2275 |
| CBR 125 R (6 Bolt Front Disc Fixing) | 125 | 2004 → 2010 | FDB2169 | FDB2143 |
| CBR 150 R | 125 | 2000 → 2003 | FDB2169 | FDB2143 |
| CD 125 CD | 125 | 1982 → | FSB707 | FSB706 |
| CD 125 TC | 125 | 1982 → | FSB707 | FSB706 |
| CG 125 | 125 | 1985 → | FSB713 | FSB704 |
| CG 125 all models | 125 | 1977 → 1984 | FSB704 | FSB704 |
| CH 125 SPACY | 125 | 1983 → 1997 | FSB704 | FSB704 |
| CH 125 SPACY | 125 | 1998 → | FDB312 | FSB704 |
| CLR 125 CITY FLY | 125 | 2000 → | FDB438 | FSB705 |
| CM 125 L | 125 | 1982 → | FSB707 | FSB706 |
| CR 125 | 125 | 2002 → | FDB892 | FDB2139 |
| CR 125 M2 - 3 - 4 | 125 | 1976 → 1978 | FSB705 | FSB705 |
| CR 125 RA | 125 | 1979 → 1981 | FSB747 | FSB713 |
| CR 125 RB | 125 | 1979 → 1981 | FSB747 | FSB713 |
| CR 125 RC | 125 | 1982 → 1983 | FSB745 | FSB745 |
| CR 125 RD | 125 | 1983 → 1984 | FSB745 | FSB746 |
| CR 125 RE | 125 | 1984 → 1985 | FDB382 | FSB746 |
| CR 125 RG | 125 | 1986 → | FDB382 | FSB757 |

* It is recommended that in those applications where sintered pads are supplied as Original Equipment, replacement pads should also be of sintered composition.

** To avoid brake imbalance sintered pads fitted in rear calipers should only be used in combination with front calipers containing sintered pads.



CC

FROM → TO



NOTES



NOTES

...HONDA

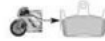
| | | | | |
|---------------------------------|-----|------------------|---------|---------|
| CR 125 RH - J - K - L | 125 | 1987 → 1994 | FDB495 | FDB539 |
| CR 125 RS | 125 | 1979 → 1981 | FSB747 | FSB713 |
| CR 125 RW - RX - RY - R1 | 125 | 1996 → 2001 | FDB892 | FDB539 |
| CR 125 RZ | 125 | 1979 → 1981 | FSB747 | FSB713 |
| CRE 125 2T /Six Comp | 125 | 2002 → | FDB892 | FDB2139 |
| CRE 125 4T Six Racing | 125 | 2011 → | FDB892 | FDB2162 |
| CRE 125 SIX Comp. | 125 | 2010 → 2011 | FDB2268 | FDB2162 |
| CRE Baja HM 125 4T | 125 | 2011 → | FDB497 | FDB828 |
| CRE Baja RR HM 125 2T | 125 | 2011 → | FDB2242 | |
| CRE Baja RR HM 125 4T | 125 | 2011 → | FDB2167 | FDB828 |
| CRM 125 | 125 | 1990 → 1999 | FDB495 | FDB539 |
| CRM 125 (Italy) | 125 | 1990 → 1999 | FDB438 | FRP416 |
| CRM 125 2T Derapage Comp. | 125 | 2011 → 2012 | FDB2268 | FDB2162 |
| CRM 125 4T Derapage Comp. | 125 | 2011 → 2012 | FDB2268 | FDB2162 |
| CRM 125 Derapage HM 125 4T | 125 | 2011 → | FDB497 | FDB828 |
| CT 125 M2 | 125 | 1976 → 1978 | FSB705 | FSB705 |
| CT 125 M3 | 125 | 1976 → 1978 | FSB705 | FSB705 |
| CT 125 M4 | 125 | 1976 → 1978 | FSB705 | FSB705 |
| FES 125 PANTHEON | 125 | 2007 → | FDB2075 | FDB531 |
| FS 125 Sonic | 125 | 2003 → 2004 | FDB312 | FDB2169 |
| MBX 125 RWB | 125 | 1984 → 1986 | FDB312 | FSB746 |
| MTX 125 R | 125 | 1987 → 1988 | FDB438 | FSB704 |
| MTX 125 R2F | 125 | 1985 → 1995 | FDB382 | FSB705 |
| MTX 125 RF | 125 | 1985 → 1995 | FDB382 | FSB705 |
| MTX 125 RII | 125 | 1989 → | FDB438 | FSB704 |
| MTX 125 RWD | 125 | 1983 → 1984 | FSB705 | FSB705 |
| MTX 125 RWF | 125 | 1985 → 1995 | FDB382 | FSB705 |
| NH 125 H | 125 | 1983 → | FSB704 | FSB704 |
| NH 125 LEAD | 125 | 1983 → 1987 | FSB704 | FSB704 |
| NH 125 LEAD | 125 | 1988 → | | FSB704 |
| NS 125 F all models | 125 | 1985 → 1990 | FDB438 | FSB704 |
| NSR 125 | 125 | 1988 → 1989 | FDB438 | FSB704 |
| NSR 125 R - F | 125 | 1989 → 1992 | FDB438 | FRP416 |
| NSR 125 RAIDEN | 125 | 1990 → 1992 | FDB438 | FRP416 |
| NX 125 | 125 | 1988 → | FSB713 | FSB705 |
| NX 125 (ITALY) | 125 | 1990 → | FDB438 | FSB704 |
| NX 125 TRANSCITY | 125 | 1989 → 1997 | FDB495 | FSB705 |
| PCX 125 | 125 | 2010 → | FDB2256 | FSB963 |
| PS 125 i | 125 | 2007 → | FDB2119 | FSB963 |
| RS 125 R | 125 | 1988 → | FDB452 | |
| RS 125 R | 125 | 1991 → 1994 (x2) | FDB570 | FDB2192 |
| RS 125 R | 125 | 1995 → (x2) | FDB858 | FDB250 |
| S-WING 125 | 125 | 2009 → | FDB2211 | FDB2212 |
| Satelis 125 | 125 | 2013 → | FDB2256 | |
| SH 125 & 125i (Rear Drum Model) | 125 | 2000 → 2009 | FDB2119 | FSB963 |
| SH 125i | 125 | 2009 → 2012 | FDB2211 | FDB2212 |
| SH 125i | 125 | 2013 → | FDB570 | FDB2212 |
| TL 125 | 125 | 1976 → | FSB705 | FSB705 |
| TUR/ML 125 (Brasil) | 125 | → | FDB625 | |
| VT 125 SHADOW | 125 | 1999 → | FDB631 | FSB709 |
| XL 125 K3 | 125 | 1979 → | FSB704 | FSB705 |
| XL 125 L PARIS DAKAR | 125 | 1989 → | FDB438 | FSB705 |
| XL 125 PARIS DAKAR | 125 | 1989 → | FDB438 | FSB705 |
| XL 125 R | 125 | 1985 → 1986 | FDB382 | FSB705 |
| XL 125 R | 125 | 1987 → 1988 | FDB438 | FSB705 |
| XL 125 R - S | 125 | 1984 → | FSB704 | FSB704 |
| XL 125 R PARIS DAKAR | 125 | 1984 → | FDB382 | FSB705 |
| XL 125 RC | 125 | 1979 → 1983 | FSB705 | FSB705 |
| XL 125 SA - B - C - Z - K2 | 125 | 1979 → 1983 | FSB705 | FSB705 |
| XL 125 VARADERO | 125 | 2001 → | FDB631 | FDB2143 |
| XLR 125 | 125 | 1993 → | FDB892 | FDB539 |
| 150 PANTHEON | 150 | 1998 → 1999 | FDB2073 | FSB946 |
| 150 PANTHEON | 150 | 2000 → 2002 | FDB2075 | FSB946 |
| 150 PANTHEON | 150 | 2003 → | FDB2075 | FDB531 |
| @ 150 NES | 150 | 2000 → | FDB2119 | FSB963 |
| CRF 150 | 150 | 2003 → 2007 | FDB892 | FSB705 |
| CRF 150 RB | 150 | 2008 → | FDB661 | FDB2139 |
| NSR 150 | 150 | 2001 → 2003 | FDB631 | FDB497 |
| NX 150 (Brasil) | 150 | → | FDB892 | |
| PS 150i | 150 | 2008 → | FDB2119 | FSB963 |
| S-WING 150 | 150 | 2008 → | FDB2211 | FDB2212 |
| SH 150 | 150 | 2000 → 2008 | FDB2119 | FSB963 |

* It is recommended that in those applications where sintered pads are supplied as Original Equipment, replacement pads should also be of sintered composition.

** To avoid brake imbalance sintered pads fitted in rear calipers should only be used in combination with front calipers containing sintered pads.



CC FROM → TO



NOTES



NOTES

...HONDA

| | | | | | |
|-------------------------|-----|------|-------------|---------|---------|
| SH 150 | 150 | 2008 | → | FDB2211 | FDB2212 |
| SH 150i ABS | 150 | 2013 | → | FDB570 | FDB2212 |
| CB 175 all models | 175 | 1974 | → 1976 | | FSB749 |
| CD 175 all models | 175 | 1971 | → 1978 | FSB760 | |
| CD 185 T | 185 | 1978 | → 1980 | FSB707 | FSB706 |
| XL 185 SA | 185 | 1980 | → 1984 | FSB705 | FSB705 |
| XL 185 SB | 185 | 1980 | → 1984 | FSB705 | FSB705 |
| XL 185 SZ | 185 | 1980 | → 1984 | FSB705 | FSB705 |
| CB 200 B - T | 200 | 1977 | → 1979 | | FSB749 |
| CD 200 T | 200 | 1979 | → 1980 | FSB707 | FSB706 |
| CM 200 TA - TB | 200 | 1980 | → 1981 | FSB707 | FSB706 |
| CT 200 E - K | 200 | 1984 | → 1989 | FSB704 | FSB705 |
| CT 200 P | 200 | 1993 | → 1999 | FSB705 | FSB705 |
| CTX 200 | 200 | 2003 | → 2004 | FDB892 | FSB705 |
| MTX 200 R | 200 | 1987 | → | FDB438 | FSB704 |
| MTX 200 RW | 200 | 1985 | → 1986 | FDB382 | FSB705 |
| MTX 200 RWD | 200 | 1983 | → 1984 | FSB705 | FSB705 |
| NX 200 (Brasil) | 200 | | → | FDB892 | |
| STRADA 200 (Brasil) | 200 | | → | FDB625 | |
| TA 200 | 200 | 2003 | → 2004 | FDB2087 | FDB2087 |
| TL 200 J | 200 | | → | FSB705 | FSB705 |
| TL 200 X | 200 | | → | FSB705 | FSB705 |
| TLR 200 EF | 200 | 1984 | → | FSB714 | FSB714 |
| TRZ 200 (4W) | 200 | 1990 | → | FSB945 | FSB760 |
| XL 200 R | 200 | 1983 | → 1984 | FSB705 | FSB705 |
| XL 200 R | 200 | 1985 | → | FDB438 | FSB704 |
| XLR 200 R | 200 | 1993 | → | FDB892 | FDB539 |
| XR 200 (Brasil) | 200 | | → | FDB892 | |
| XR 200 A - RB - RC - RD | 200 | 1981 | → 1983 | FSB705 | FSB705 |
| XR 200 R | 200 | 1984 | → 1991 | FSB705 | FSB705 |
| CRF 230 F | 230 | 2003 | → 2007 | FDB892 | FSB705 |
| CRF 230 F | 230 | 2008 | → | FDB892 | FDB539 |
| EASY 230 Enduro /SM | 230 | 2008 | → | FDB892 | FDB539 |
| SL 230 | 230 | 1997 | → | FDB892 | |
| AX 1 250 | 250 | 1988 | → | FDB495 | |
| CB 250 | 250 | 1988 | → 1991 | FDB452 | FSB708 |
| CB 250 B4 | 250 | 1973 | → 1975 | FSB943 | FSB742 |
| CB 250 FT HORNET | 250 | 1996 | → 2001 | FDB533 | FDB531 |
| CB 250 G - G5 | 250 | 1975 | → | FDB119 | FSB742 |
| CB 250 K3 - K4 - K5 | 250 | 1973 | → 1975 | FSB943 | FSB742 |
| CB 250 N | 250 | 1978 | → 1982 | FDB183 | FSB708 |
| CB 250 NA - NB | 250 | 1978 | → 1982 | FDB183 | FSB708 |
| CB 250 NIGHT HAWK | 250 | 1991 | → 2001 | FDB570 | FSB706 |
| CB 250 REBEL | 250 | 1986 | → | FDB312 | |
| CB 250 RSA - RSD - RSE | 250 | 1981 | → 1984 | FDB183 | FSB749 |
| CB 250 T-DREAM | 250 | 1978 | → 1982 | FDB183 | FSB708 |
| CB 250 T-SUPERDREAM | 250 | 1978 | → 1982 | FDB183 | FSB708 |
| CBR 250 F | 250 | 2004 | → | FDB462 | |
| CBR 250 R | 250 | 2011 | → | FDB570 | |
| CBR 250 R - RR | 250 | 1990 | → 1994 (x2) | FDB533 | FDB531 |
| CBR 250 R ABS | 250 | 2011 | → | FDB2196 | FDB754 |
| CBR 250 R HURRICANE | 250 | 1986 | → 1988 (x2) | FDB462 | FDB531 |
| CBX 250 F | 250 | 1995 | → | FDB570 | |
| CD 250 | 250 | 1988 | → 1992 (x2) | FDB663 | FSB706 |
| CH 250 ELITE | 250 | 1985 | → 1986 | FDB382 | FSB748 |
| CH 250 ELITE | 250 | 1985 | → 1990 | FSB713 | FSB713 |
| CH 250 SPACY | 250 | 1985 | → 1986 | FDB382 | FSB748 |
| CJ 250 I | 250 | 1977 | → | FDB119 | FSB742 |
| CL 250 SC | 250 | 1981 | → | FSB707 | FSB749 |
| CM 250 C | 250 | 1982 | → | FSB707 | FSB706 |
| CM 250 TB | 250 | 1981 | → | FDB183 | FSB708 |
| CMX 250 C REBEL | 250 | 1996 | → 2000 | FDB497 | FSB709 |
| CN 250 | 250 | 1988 | → 1989 | FDB382 | FSB762 |
| CN 250 | 250 | 1990 | → 1992 | FDB538 | FSB762 |
| CN 250 | 250 | 1993 | → 2000 | FDB538 | FSB713 |
| CN 250 ELITE | 250 | 1985 | → 1986 | FDB382 | FSB748 |
| CN 250 ELITE | 250 | 1987 | → 1990 | FSB713 | FSB713 |
| CN 250 HELIX | 250 | 1986 | → 1987 | FDB244 | FSB732 |
| CN 250 HELIX-FUSION | 250 | 1992 | → | FDB382 | FSB748 |
| CR 250 | 250 | 1986 | → | FDB382 | FSB757 |
| CR 250 | 250 | 2002 | → | FDB892 | FDB2139 |
| CR 250 R | 250 | 1987 | → 1994 | FDB495 | FDB539 |

HONDA

* It is recommended that in those applications where sintered pads are supplied as Original Equipment, replacement pads should also be of sintered composition.

** To avoid brake imbalance sintered pads fitted in rear calipers should only be used in combination with front calipers containing sintered pads.



CC

FROM → TO



NOTES



NOTES

...HONDA

| | | | | | | | |
|------------------------|-----|------|-------------|--|----------------|--|----------------|
| CR 250 R | 250 | 1996 | → | | FDB892 | | FDB539 |
| CR 250 RA | 250 | 1979 | → 1980 | | FSB747 | | FSB743 |
| CR 250 RB | 250 | 1981 | → | | FSB744 | | FSB713 |
| CR 250 RC | 250 | 1982 | → | | FSB745 | | FSB713 |
| CR 250 RD | 250 | 1983 | → | | FSB745 | | FSB746 |
| CR 250 RE | 250 | 1984 | → 1985 | | FDB382 | | FSB746 |
| CR 250 RS | 250 | 2000 | → | | FSB744 | | FSB750 |
| CR 250 RZ | 250 | 1979 | → 1980 | | FSB747 | | FSB743 |
| CRE 250 / CRE F250 X/R | 250 | 2002 | → | | FDB892 | | FDB2139 |
| CRF 250 LD | 250 | 2013 | → | | FDB2242 | | FDB2275 |
| CRF 250 X / R | 250 | 2004 | → | | FDB892 | | FDB2139 |
| CRF250R | 250 | 2014 | → | | FDB892 | | FDB2139 |
| CRM 250 R | 250 | 1989 | → 1990 | | FDB495 | | FDB539 |
| CRM 250 R | 250 | 1991 | → | | FDB892 | | FDB539 |
| FE 250 FORESIGHT | 250 | 1997 | → 1998 | | FDB2073 | | FSB946 |
| FE 250 FORESIGHT | 250 | 1999 | → | | FDB2075 | | FDB531 |
| FORZA 250 | 250 | 2000 | → 2004 | | FDB2075 | | FDB754 |
| FORZA 250 / X | 250 | 2005 | → | | FDB2211 | | FDB2212 |
| FTR 250 | 250 | 1986 | → | | FDB382 | | FDB382 |
| JADE 250 | 250 | 1991 | → (x2) | | FDB570 | | FDB531 |
| JAZZ 250 | 250 | 2001 | → | | FDB2073 | | FDB2130 |
| MVX 250 F | 250 | 1988 | → | | FDB310 | | FSB749 |
| NS 250 RF | 250 | 1984 | → 1986 (x2) | | FDB244 | | FDB244 |
| NSR 250 | 250 | 1986 | → | | FDB462 | | FDB244 |
| NSR 250 R | 250 | 1986 | → 1987 (x2) | | FDB462 | | FDB244 |
| NSR 250 R - SP | 250 | 1988 | → 1993 | | FDB533 | | FDB531 |
| NSR 250 R SE-SP | 250 | 1994 | → | | FDB858 | | FDB496 |
| NX 250 | 250 | 1988 | → 1990 | | FDB495 | | FSB740 |
| NX 250 DOMINATOR | 250 | 1988 | → 1990 | | FDB495 | | FSB740 |
| NX 250 DOMINATOR | 250 | 1993 | → | | FDB892 | | FSB740 |
| RS 250 | 250 | 1993 | → 1994 (x2) | | FDB858 | | FDB2192 |
| RS 250 R | 250 | 1991 | → (x2) | | FDB533 | | FDB531 |
| RS 250 R | 250 | 1995 | → (x2) | | FDB2008 | | FDB250 |
| RTL 250 SG | 250 | 1986 | → | | FSB705 | | FSB705 |
| RX 250 RE | 250 | 1984 | → | | FDB382 | | FSB705 |
| TL 250 F | 250 | 1985 | → | | FSB705 | | FSB705 |
| TL 250 KI | 250 | 1979 | → | | FSB705 | | FSB705 |
| TSR 250 | 250 | 1999 | → | | FRP408 | | |
| VT 250 CR MAGNA | 250 | 1994 | → (x2) | | FDB570 | | |
| VT 250 F INTEGRA | 250 | 1987 | → | | FDB462 | | FSB749 |
| VT 250 F2 | 250 | 1982 | → | | FDB538 | | FSB749 |
| VT 250 F2 | 250 | 1983 | → 1984 | | FDB310 | | FSB749 |
| VT 250 FZ | 250 | 1982 | → 1987 | | FDB310 | | FSB749 |
| VT 250 SPADA | 250 | 1988 | → | | FDB570 | | FDB531 |
| VTR 250 | 250 | 1998 | → | | FDB570 | | FDB531 |
| VTR 250 INTERCEPTOR | 250 | 1988 | → | | FDB310 | | FSB749 |
| VTZ 250 | 250 | 1988 | → | | FDB452 | | FSB749 |
| VTZ 250 XELVIS | 250 | 1992 | → | | FDB570 | | FDB606 |
| XL 250 | 250 | 1990 | → | | FDB495 | | FDB539 |
| XL 250 | 250 | 1991 | → | | FDB495 | | FSB740 |
| XL 250 DEGREE | 250 | 1991 | → | | FDB892 | | FSB740 |
| XL 250 K3 - K4 | 250 | 1978 | → 1979 | | FSB942 | | FSB707 |
| XL 250 RC - RH | 250 | 1982 | → | | FSB713 | | FSB740 |
| XL 250 S | 250 | 1982 | → 1990 | | FSB707 | | FSB709 |
| XL 250 S - SZ - SA | 250 | 1978 | → 1981 | | FSB707 | | FSB740 |
| XLR 250 R | 250 | 1985 | → 1988 | | FDB382 | | FSB704 |
| XLR 250 R | 250 | 1991 | → | | FDB892 | | FDB539 |
| XLR 250 R BAJA | 250 | 1988 | → 1990 | | FDB495 | | FDB539 |
| XLR 250 R BAJA | 250 | 1991 | → | | FDB892 | | FDB539 |
| XLX 250 | 250 | 1984 | → | | FSB713 | | FSB740 |
| XR 250 L | 250 | 1991 | → 1995 | | FDB892 | | FDB539 |
| XR 250 R | 250 | 1988 | → 1993 | | FDB495 | | FDB539 |
| XR 250 R | 250 | 1994 | → | | FDB892 | | FDB539 |
| XR 250 RB - RD | 250 | 1981 | → 1983 | | FSB744 | | FSB740 |
| XR 250 RE - RH | 250 | 1984 | → 1987 | | FDB382 | | FSB740 |
| XR 250 Z - SZ - SA | 250 | 1979 | → 1980 | | FSB707 | | FSB740 |
| CRE 260 | 260 | 1990 | → | | FDB495 | | FDB539 |
| CBR300R | 300 | 2014 | → | | FDB664 | | FDB754 |
| CRE F300 X | 300 | 2008 | → | | FDB892 | | FDB2139 |
| SH 300 i / ABS | 300 | 2007 | → | | FDB2196 | | FDB2212 |
| CB 350 K4 | 350 | | → | | FSB943 | | FSB742 |
| CB 350 SG | 350 | 1986 | → (x2) | | FDB462 | | FSB708 |

* It is recommended that in those applications where sintered pads are supplied as Original Equipment, replacement pads should also be of sintered composition.

** To avoid brake imbalance sintered pads fitted in rear calipers should only be used in combination with front calipers containing sintered pads.

1030



CC FROM → TO



NOTES



NOTES

...HONDA

| | | | | | | |
|---|-----|-------------|------|---------|--|---------|
| NX 350 SAHARA (Brasil) | 350 | → | | FDB892 | | |
| XL 350 R | 350 | 1985 → 1986 | | FDB382 | | FSB740 |
| XL 350 RD | 350 | 1983 → | | FSB746 | | FSB705 |
| XLX 350 | 350 | 1989 → | | FDB382 | | |
| XR 350 RE - RD | 350 | 1984 → | | FDB382 | | FSB705 |
| CB 360 G5 all models | 360 | 1975 → | | FSB943 | | FSB742 |
| CJ 360 T all models | 360 | 1978 → | | FDB119 | | FSB742 |
| CB 400 A - HAWK | 400 | 1978 → | | FDB183 | | FSB708 |
| CB 400 F - F1 - F2 | 400 | 1975 → 1979 | | FDB119 | | FSB742 |
| CB 400 FK (CB-1) | 400 | 1990 → | (x2) | FDB570 | | FDB531 |
| CB 400 N - NA - NB | 400 | 1978 → 1982 | (x2) | FDB182 | | FSB708 |
| CB 400 N/F | 400 | 1983 → | | FDB538 | | FSB708 |
| CB 400 SUPER FOUR | 400 | 1992 → | (x2) | FDB570 | | FDB531 |
| CB 400 SUPER FOUR (SF) | 400 | 1999 → 2003 | (x2) | FDB2079 | | FDB2111 |
| CB 400 SUPER FOUR S | 400 | 1997 → 1998 | (x2) | FDB2099 | | FDB531 |
| CB-1 400 F | 400 | 1989 → | | FDB570 | | FDB531 |
| CBR 400 R HURRICANE | 400 | 1986 → | (x2) | FDB462 | | FDB244 |
| CBR 400 R R | 400 | 1988 → 1993 | (x2) | FDB570 | | FDB531 |
| CBX 400 C | 400 | 1983 → | | FDB538 | | FDB244 |
| CM 400 A | 400 | 1978 → 1981 | (x2) | FDB182 | | FSB708 |
| CM 400 AA | 400 | 1978 → 1981 | (x2) | FDB182 | | FSB708 |
| CM 400 AB-TA | 400 | 1978 → 1981 | (x2) | FDB182 | | FSB708 |
| CM 400 T | 400 | 1978 → 1981 | (x2) | FDB182 | | FSB708 |
| CM 400 TB | 400 | 1978 → | (x2) | FDB182 | | FSB708 |
| CM 400 TC | 400 | 1978 → 1981 | (x2) | FDB182 | | FSB708 |
| CM 400 TZ | 400 | 1978 → | (x2) | FDB182 | | FSB708 |
| FL 400 R PILOT (4W) | 400 | 1989 → 1990 | | FSB925 | | FDB695 |
| FT 400 | 400 | 1982 → | | FDB244 | | FDB244 |
| NS 400 RF - RG | 400 | 1985 → | (x2) | FDB538 | | FDB244 |
| NTV 400 BROS | 400 | 1988 → | | FDB533 | | FDB531 |
| NV 400 CUSTOM | 400 | 1988 → | | FDB663 | | FDB665 |
| NV 400 SP CUSTOM | 400 | 1988 → | | | | FDB244 |
| RVF 400 | 400 | 1994 → | (x2) | FDB858 | | FDB496 |
| SILVERWING 400 | 400 | 2006 → | | FDB2098 | | FDB664 |
| SW-T 400 | 400 | 2009 → | | FDB2196 | | FDB2212 |
| TRANSALP 400 | 400 | 1992 → | | FDB452 | | FDB531 |
| VF 400 F INTEGRA | 400 | 1982 → | | FDB538 | | FDB244 |
| VFR 400 R | 400 | 1986 → 1987 | (x2) | FDB462 | | FDB244 |
| VFR 400 R | 400 | 1987 → 1989 | (x2) | FDB462 | | FDB531 |
| VTR 400 R (NC 30) | 400 | 1989 → 1991 | (x2) | FDB533 | | FDB496 |
| XR 400 R (All Models) | 400 | 1996 → | | FDB892 | | FDB539 |
| XR 400 SUPERMOTARD | 400 | 2000 → | | FDB892 | | FDB539 |
| XR 440 R (DALL'ARA) | 440 | 1999 → | | FDB892 | | FDB539 |
| CB 450 N | 450 | 1985 → | (x2) | FDB183 | | FSB708 |
| CBX 450 S | 450 | 1987 → | (x2) | FDB462 | | FSB708 |
| CMX 450 CG REBEL | 450 | 1986 → 1988 | | FDB244 | | FSB708 |
| CR 450 RB - RS | 450 | 1981 → | | FSB744 | | FSB750 |
| CRE F450 R | 450 | 2011 → | | FDB892 | | FDB2139 |
| CRE F450 X/R | 450 | 2008 → | | FDB892 | | FDB2139 |
| CRF 450 R | 450 | 2002 → | | FDB892 | | FDB2139 |
| CRF 450 Rally | 450 | 2013 → | | FDB892 | | |
| CRF 450 SUPERMOTARD | 450 | 2002 → | | FDB892 | | FDB2139 |
| CRM F 450 / R / X / RR (Magura 4 pistons) | 450 | 2008 → | | FDB2244 | | FDB2139 |
| CR 480 RC | 480 | 1982 → | | FSB744 | | FSB814 |
| CR 480 RD | 480 | 1983 → | | FSB745 | | FSB746 |
| CB 500 K1 - K2 - T | 500 | 1975 → 1977 | | FDB119 | | FSB711 |
| CB 500 R | 500 | 2013 → | | FDB570 | | FDB531 |
| CB 500 R/T | 500 | 1994 → 1996 | | FDB570 | | FSB711 |
| CB 500 S | 500 | 1999 → 2003 | (x2) | FDB2006 | | FDB2005 |
| CB 500 V | 500 | 1997 → 2003 | | FDB2006 | | FDB2005 |
| CB 500 X | 500 | 2013 → | | FDB570 | | FDB531 |
| CBF 500 | 500 | 2004 → | | FDB664 | | FDB754 |
| CBF 500 ABS | 500 | 2004 → 2007 | | FDB2196 | | FDB754 |
| CBR 500 | 500 | 1987 → 1990 | (x2) | FDB462 | | FDB665 |
| CBR 500 R | 500 | 2013 → | | FDB570 | | FDB531 |
| CR 500 | 500 | 1986 → | | FDB382 | | FSB757 |
| CR 500 R | 500 | 1987 → 1992 | | FDB495 | | FDB539 |
| CR 500 R | 500 | 1993 → 1994 | | FDB892 | | FDB539 |
| CR 500 R | 500 | 1995 → 2001 | | FDB892 | | FDB539 |
| CR 500 RE - G - H - J | 500 | 1984 → 1985 | | FDB382 | | FSB746 |
| CRE F500 X | 500 | 2009 → | | FDB892 | | FDB2139 |
| CX 500 CA - CB | 500 | 1979 → 1981 | (x2) | FDB182 | | FSB711 |

* It is recommended that in those applications where sintered pads are supplied as Original Equipment, replacement pads should also be of sintered composition.

** To avoid brake imbalance sintered pads fitted in rear calipers should only be used in combination with front calipers containing sintered pads.



CC

FROM → TO



NOTES



NOTES

...HONDA

| | | | | | | |
|--|-----|------|---|-----------|---------|---------|
| CX 500 CC - EC | 500 | 1982 | → | (x2) | FDB244 | FDB244 |
| CX 500 T (TURBO) | 500 | 1983 | → | (x2) | FDB244 | FDB244 |
| FT 500 - C | 500 | 1982 | → | | FDB244 | FDB244 |
| GL 500 DC | 500 | 1982 | → | (x2) | FDB244 | FSB711 |
| GL 500 SILVER WING INTERSTATE | 500 | 1982 | → | (x2) | FDB244 | FSB711 |
| NX 500 | 500 | 1997 | → | 1999 | FDB2006 | FDB2005 |
| NX 500 DOMINATOR | 500 | 1988 | → | 1996 | FDB663 | FDB531 |
| VF 500 FE - F2E | 500 | 1984 | → | (x2) | FDB244 | FDB665 |
| VF 500 FF - F2F | 500 | 1984 | → | (x2) | FDB244 | FDB665 |
| VT 500 CD - FT | 500 | 1982 | → | | FDB244 | FSB708 |
| VT 500 ED - EF - C | 500 | 1983 | → | | FDB310 | FSB708 |
| XBR 500 S - F - G - H | 500 | 1985 | → | | FDB244 | FSB755 |
| XL 500 R - RC | 500 | 1982 | → | | FSB751 | FSB709 |
| XL 500 R PARIS DAKAR | 500 | 1983 | → | | FSB751 | FSB709 |
| XL 500 SA - SB | 500 | 1980 | → | | FSB743 | FSB749 |
| XL 500 SZ | 500 | 1980 | → | | FSB707 | FSB709 |
| XR 500 R | 500 | 1983 | → | 1984 | FDB382 | FSB709 |
| XR 500 R | 500 | 1984 | → | | FDB382 | FSB705 |
| XR 500 R - RB | 500 | 1981 | → | 1983 | FSB744 | FSB709 |
| XR 500 SA - SZ | 500 | 1979 | → | 1980 | FSB747 | FSB709 |
| CB 550 F - F1 - F2 | 550 | 1978 | → | | FDB119 | FSB741 |
| CB 550 K3 | 550 | 1978 | → | | FDB119 | FSB741 |
| CBX 550 FC - FD - F2C - F2D | 550 | 1982 | → | 1984 (x2) | FDB310 | FDB310 |
| CB 600 HORNET | 600 | 1998 | → | 1999 (x2) | FDB570 | FDB754 |
| CB 600 HORNET (Japan) | 600 | 1998 | → | | FDB2114 | FDB754 |
| CB 600 HORNET / S | 600 | 2000 | → | 2006 (x2) | FDB570 | FDB754 |
| CB 600 HORNET ABS | 600 | 2007 | → | (x2) | FDB2196 | FDB754 |
| CBF 600 4/A4 / HORNET / Travel | 600 | 2004 | → | (x2) | FDB570 | FDB754 |
| CBF 600 N / S / ABS | 600 | 2008 | → | (x2) | FDB2196 | FDB754 |
| CBF 600 S/ABS | 600 | 2011 | → | (x2) | FDB664 | FDB754 |
| CBR 600 F | 600 | 2007 | → | (x2) | FDB2079 | FDB754 |
| CBR 600 F (Japan) | 600 | 1999 | → | 2004 (x2) | FDB2114 | FDB754 |
| CBR 600 F / ABS | 600 | 2011 | → | (x2) | FDB664 | FDB2221 |
| CBR 600 F/R HURRICANE | 600 | 1987 | → | 1990 (x2) | FDB462 | FDB665 |
| CBR 600 F1 / F2 / FS1 / FS2 Sport | 600 | 2001 | → | 2002 (x2) | FDB2079 | FDB754 |
| CBR 600 F2 | 600 | 1991 | → | 1994 (x2) | FDB2113 | FDB754 |
| CBR 600 F3 | 600 | 1995 | → | 1998 (x2) | FDB664 | FDB754 |
| CBR 600 F4 / F4i Sport | 600 | 1999 | → | 2004 (x2) | FDB2079 | FDB754 |
| CBR 600 FX / FY | 600 | 1999 | → | 2000 (x2) | FDB2079 | FDB754 |
| CBR 600 RR | 600 | 2003 | → | 2004 (x2) | FDB2079 | FDB754 |
| CBR 600 RR | 600 | 2005 | → | 2006 (x2) | FDB2181 | FDB754 |
| CBR 600 RR - Racing Applications | 600 | 2005 | → | (x2) | FDB2205 | FDB754 |
| CBR 600 RR / Lim. Ed. / Fireblade Repsol | 600 | 2007 | → | (x2) | FDB2181 | FDB2221 |
| NTV 600 BROSS | 600 | 1988 | → | 1992 | FDB533 | FDB531 |
| NTV 600 REVERE - HAWK | 600 | 1990 | → | 1992 | FDB570 | FDB531 |
| NV 600 C | 600 | 1988 | → | | FDB663 | FSB711 |
| SILVER WING 600 | 600 | 2001 | → | | FDB2075 | FDB664 |
| SILVER WING 600 (hand brake) | 600 | 2001 | → | | FDB250 | |
| SW-T 600 ABS | 600 | 2011 | → | | FDB2196 | FDB570 |
| VLX 600 SHADOW | 600 | 1988 | → | 1991 (x2) | FDB663 | FSB711 |
| VT 600 C SHADOW | 600 | 1988 | → | 1993 | FDB663 | FSB711 |
| VT 600 C SHADOW | 600 | 1994 | → | 2003 | FDB570 | FSB711 |
| XL 600 LD - PARIS DAKAR | 600 | 1983 | → | 1984 | FDB382 | FSB709 |
| XL 600 LM-RM-R-V-L | 600 | 1985 | → | 1990 | FDB244 | FSB709 |
| XL 600 R - RD - RE | 600 | 1983 | → | 1984 | FDB382 | FSB709 |
| XL 600 V TRANSALP | 600 | 1987 | → | 1990 | FDB244 | FSB709 |
| XL 600 V TRANSALP | 600 | 1991 | → | 1993 | FDB663 | FDB531 |
| XL 600 V TRANSALP | 600 | 1994 | → | 1996 | FDB570 | FDB531 |
| XL 600 V TRANSALP | 600 | 1997 | → | 1999 (x2) | FDB892 | FDB531 |
| XR 600 L - R | 600 | 1994 | → | 2002 | FDB892 | FDB539 |
| XR 600 R | 600 | 1985 | → | 1987 | FDB382 | FSB705 |
| XR 600 R | 600 | 1988 | → | 1990 | FDB495 | FSB705 |
| XR 600 R | 600 | 1991 | → | 1993 | FDB495 | FDB539 |
| CB 650 | 650 | | → | | FDB310 | FDB310 |
| CB 650 A - Z | 650 | 1979 | → | 1981 | FDB183 | FSB710 |
| CB 650 B | 650 | 1979 | → | 1981 (x2) | FDB183 | FSB710 |
| CB 650 SCC NIGHTHAWK | 650 | 1982 | → | (x2) | | FSB710 |
| CB 650 SCD | 650 | 1983 | → | (x2) | FDB244 | FSB711 |
| CB650F | 650 | 2014 | → | (x2) | FDB664 | FDB754 |
| CBR650F | 650 | 2014 | → | (x2) | FDB664 | FDB754 |
| CBX 650 ED | 650 | 1983 | → | (x2) | FDB244 | FSB711 |
| CX 650 EC - T | 650 | 1983 | → | (x2) | FDB244 | FDB244 |

* It is recommended that in those applications where sintered pads are supplied as Original Equipment, replacement pads should also be of sintered composition.

** To avoid brake imbalance sintered pads fitted in rear calipers should only be used in combination with front calipers containing sintered pads.



CC

FROM → TO



NOTES



NOTES

...HONDA

| | | | | | | | |
|--|-----|------|---|-----------|---------|--|---------|
| CX 650 ED | 650 | 1982 | → | | FDB244 | | FSB711 |
| CX 650 TD (TURBO) E | 650 | 1983 | → | (x2) | FDB244 | | FDB244 |
| FMX 650 | 650 | 2005 | → | 2006 | FDB664 | | FDB754 |
| FMX 650 | 650 | 2007 | → | | FDB664 | | FDB531 |
| GL 650 D2TE | 650 | 1983 | → | (x2) | FDB244 | | FSB711 |
| GL 650 DD - ID | 650 | 1983 | → | (x2) | FDB244 | | FSB711 |
| NT 650 DEAUVILLE | 650 | 2002 | → | (x2) | FDB2098 | | FDB2098 |
| NT 650 HAWK GT | 650 | 1988 | → | 1990 (x2) | FDB570 | | FDB531 |
| NT 650 V DEAUVILLE | 650 | 1998 | → | 2001 (x2) | FDB2006 | | FDB531 |
| NTV 650 | 650 | 1994 | → | 1997 (x2) | FDB570 | | FDB531 |
| NTV 650 BROS - I | 650 | 1990 | → | 1993 (x2) | FDB533 | | FDB531 |
| NTV 650 REVERSE | 650 | 1988 | → | 1993 | FDB570 | | FDB531 |
| NX 650 DOMINATOR | 650 | 1993 | → | 1994 | FDB452 | | FDB531 |
| NX 650 DOMINATOR | 650 | 1995 | → | 1997 | FDB892 | | FDB531 |
| NX 650 DOMINATOR | 650 | 1998 | → | 2002 | FDB2006 | | FDB2005 |
| NX 650 DOMINATOR J - K | 650 | 1988 | → | 1992 | FDB663 | | FDB531 |
| SLR 650 | 650 | 1997 | → | 1998 | FDB2006 | | FDB2005 |
| VIGOR 650 | 650 | 1999 | → | 2002 | FDB2006 | | FDB2005 |
| XL 650 V TRANSALP | 650 | 2000 | → | (x2) | FDB892 | | FDB531 |
| XR 650 L | 650 | 1993 | → | 1995 | FDB495 | | FDB539 |
| XR 650 L | 650 | 1996 | → | | FDB892 | | FDB539 |
| XR 650 R | 650 | 1999 | → | | FDB892 | | FDB539 |
| XRV 650 AFRICA TWIN | 650 | 1988 | → | 1989 | FDB663 | | FDB531 |
| DEAUVILLE TRAVEL | 680 | 2007 | → | (x2) | FDB2196 | | FDB2073 |
| DN-01 Sports Cruiser | 680 | 2009 | → | (x2) | FDB2196 | | FDB570 |
| NT 700 DEAUVILLE 680 / ABS | 680 | 2006 | → | | FDB2196 | | FDB2098 |
| TRANSALP 680 | 680 | 2008 | → | (x2) | FDB2196 | | FDB754 |
| CB 700 SC NIGHT HAWK | 700 | 1984 | → | (x2) | FDB244 | | FSB761 |
| CTX700 | 700 | 2014 | → | | FDB664 | | FDB754 |
| CTX700N | 700 | 2014 | → | | FDB664 | | FDB754 |
| NC 700 D Integra | 700 | 2012 | → | | FDB2196 | | FDB754 |
| NC 700 S,X (manual gearbox - No ABS) | 700 | 2012 | → | | FDB664 | | FDB531 |
| NC 700 SA,XA (manual gearbox - ABS) | 700 | 2012 | → | | FDB2196 | | FDB754 |
| NC 700 SD,XD (automatic gearbox - ABS) | 700 | 2012 | → | | FDB2196 | | FDB754 |
| VF 700 C MAGNA | 700 | 1984 | → | (x2) | FDB244 | | FSB711 |
| VF 700 C MAGNA | 700 | 1985 | → | (x2) | FDB244 | | FSB761 |
| VF 700 F INTERCEPTOR | 700 | 1984 | → | 1985 (x2) | FDB244 | | FDB538 |
| VF 700 S SABRE | 700 | 1984 | → | (x2) | FDB244 | | FSB711 |
| VFR 700 F INTERCEPTOR | 700 | 1988 | → | (x2) | FDB570 | | FDB570 |
| VFR 700 F/F2 INTERCEPTOR | 700 | 1986 | → | 1987 (x2) | FDB452 | | FDB538 |
| VT 700 C SHADOW | 700 | 1984 | → | 1985 (x2) | | | FSB711 |
| VT 700 C SHADOW | 700 | 1986 | → | (x2) | FDB244 | | FSB761 |
| VT 700 C SHADOW | 700 | 1987 | → | (x2) | FDB244 | | FSB761 |
| 750 BLACK SPIRIT | 750 | 2011 | → | | FDB664 | | |
| 750 BLACK WIDOW | 750 | 2001 | → | | FDB664 | | FSB761 |
| B 750 EC - ED | 750 | 1982 | → | (x2) | FDB244 | | FDB244 |
| B 750 F2 - F2D | 750 | 1982 | → | (x2) | FDB244 | | FDB244 |
| CB 750 F - F1 | 750 | 1976 | → | 1978 | FDB119 | | FDB134 |
| CB 750 F2 - F3 | 750 | 1977 | → | (x2) | FDB182 | | FDB182 |
| CB 750 FA - FB - F2C | 750 | 1980 | → | (x2) | FDB182 | | |
| CB 750 FZ | 750 | 1979 | → | (x2) | FDB182 | | FDB182 |
| CB 750 K | 750 | 1982 | → | (x2) | FDB244 | | FDB244 |
| CB 750 K1 - K6 | 750 | 1971 | → | 1977 | | | FSB710 |
| CB 750 K7 - K8 | 750 | 1978 | → | | FDB119 | | FSB710 |
| CB 750 KZ | 750 | 1980 | → | (x2) | FDB183 | | FSB710 |
| CB 750 N SEVEN FIFTY | 750 | 1992 | → | 2002 (x2) | FDB570 | | FDB754 |
| CB 750 NIGHTHAWK | 750 | 1991 | → | (x2) | FDB664 | | FSB711 |
| CB 750 SC NIGHTHAWK | 750 | 1982 | → | 1983 (x2) | FDB244 | | FSB710 |
| CBR 750 F | 750 | 1988 | → | (x2) | FDB570 | | FDB570 |
| CBR 750 F HURRICANE | 750 | 1987 | → | 1988 (x2) | FDB663 | | FDB538 |
| CBR 750 SUPER AERO | 750 | 1988 | → | 1989 (x2) | FDB663 | | FDB858 |
| CBX 750 FE | 750 | 1983 | → | 1984 (x2) | FDB244 | | FDB665 |
| MAGNA 750 | 750 | 1993 | → | | FDB570 | | FSB761 |
| NC750S | 750 | 2014 | → | | FDB664 | | FDB754 |
| NC750X | 750 | 2014 | → | | FDB664 | | FDB754 |
| NR 750 | 750 | 1992 | → | (x2) | FDB533 | | FDB496 |
| RVF 750 RR (RC 45) | 750 | 1994 | → | (x2) | FDB858 | | FDB496 |
| SHADOW ABS 750 | 750 | 2010 | → | | FDB2196 | | |
| VF 750 C | 750 | 1993 | → | (x2) | FDB570 | | FSB711 |
| VF 750 C-SC-CC-F-FC | 750 | 1983 | → | (x2) | FDB244 | | FSB711 |
| VF 750 CH | 750 | 1987 | → | 1989 (x2) | FDB538 | | FSB711 |
| VF 750 F-FD-FE-MAGNA-SABRE-INT | 750 | 1982 | → | (x2) | FDB244 | | FDB665 |

* It is recommended that in those applications where sintered pads are supplied as Original Equipment, replacement pads should also be of sintered composition.

** To avoid brake imbalance sintered pads fitted in rear calipers should only be used in combination with front calipers containing sintered pads.



CC

FROM → TO



NOTES



NOTES

...HONDA

| | | | | | | | |
|---|------|------|--------|------|---------|--|---------|
| VFR 750 C V45 MAGNA | 750 | 1988 | → | | FDB538 | | FSB761 |
| VFR 750 F | 750 | 1990 | → 1993 | (x2) | FDB570 | | FDB664 |
| VFR 750 F | 750 | 1994 | → 1997 | (x2) | FDB570 | | FDB664 |
| VFR 750 F INTERCEPTOR | 750 | 1986 | → 1987 | (x2) | FDB663 | | FDB665 |
| VFR 750 F INTERCEPTOR | 750 | 1988 | → 1989 | (x2) | FDB664 | | FDB664 |
| VFR 750 R (RC-30) | 750 | 1988 | → 1993 | (x2) | FDB533 | | FDB496 |
| VT 750 AMERICAN CLASSIC EDITION | 750 | 1998 | → | | FDB570 | | FSB761 |
| VT 750 C / C2 SHADOW / SHADOW SPIRIT | 750 | 1997 | → | | FDB570 | | FSB761 |
| VT 750 C SHADOW | 750 | 1983 | → 1985 | | FDB244 | | FSB711 |
| VT 750 C SHADOW | 750 | 1986 | → 1996 | | FDB244 | | FSB761 |
| VT 750 DCI | 750 | 2001 | → 2003 | | FDB570 | | FSB761 |
| VT 750 S | 750 | 2012 | → | | FDB664 | | |
| XLV 750 R - RD - RF | 750 | 1984 | → 1988 | | FDB244 | | FSB755 |
| XRV 750 R AFRICA TWIN | 750 | 1990 | → 1993 | (x2) | FDB462 | | FDB531 |
| XRV 750 R AFRICA TWIN | 750 | 1994 | → 2003 | (x2) | FDB892 | | FDB531 |
| CROSSRUNNER | 780 | 2011 | → | (x2) | FDB2196 | | FDB570 |
| PC 800 PACIFIC COAST | 800 | 1989 | → 1997 | (x2) | FDB570 | | FSB761 |
| VFR 800 | 800 | 2006 | → | (x2) | FDB2196 | | FDB2098 |
| VFR 800 FI | 800 | 1998 | → | (x2) | FDB2098 | | FDB2098 |
| VFR 800 FI INTERCEPTOR / INTERCEPTOR ABS | 800 | 2002 | → 2005 | (x2) | FDB2098 | | FDB2098 |
| VFR 800 XC (Crossrunner) | 800 | 2012 | → | (x2) | | | FDB2253 |
| VFR800F | 800 | 2014 | → | (x2) | FDB2181 | | FDB570 |
| VT 800 C | 800 | 1988 | → | | FDB244 | | FSB761 |
| CB 900 F - FZ - FA | 900 | 1979 | → 1981 | (x2) | FDB182 | | FDB182 |
| CB 900 F2B - FB | 900 | 1982 | → 1983 | (x2) | FDB244 | | FDB244 |
| CB 900 FD - FC - F2C - F2D | 900 | 1983 | → 1985 | (x2) | FDB244 | | FDB244 |
| CB 900 HORNET | 900 | 2002 | → | (x2) | FDB533 | | FDB754 |
| CBR 900 RR-FIREBLADE | 900 | 1992 | → 1995 | (x2) | FDB533 | | FDB754 |
| CBR 900 RR-FIREBLADE | 900 | 1998 | → 1999 | (x2) | FDB2079 | | FDB754 |
| CBR 900 RR-FIREBLADE | 900 | 2000 | → 2003 | (x2) | FDB2079 | | FDB754 |
| CBR 900 RR-FIREBLADE (Japan) | 900 | 1998 | → 2003 | (x2) | FDB2114 | | FDB754 |
| CBR 929 RR-FIREBLADE | 929 | 2000 | → 2001 | (x2) | FDB2079 | | FDB754 |
| VFR 950 F CARAT | 950 | 1992 | → | (x2) | FDB570 | | FDB664 |
| CB 1000 R (No ABS) | 1000 | 2009 | → | (x2) | FDB2181 | | FDB2253 |
| CB 1000 SF | 1000 | 1993 | → 1997 | (x2) | FDB533 | | FDB754 |
| CB 1000 SUPERFOUR (BIG FOUR) | 1000 | 1992 | → | (x2) | FDB570 | | FDB664 |
| CBF 1000 | 1000 | 2006 | → | (x2) | FDB570 | | FDB754 |
| CBF 1000 / Special Ed. (ABS System) | 1000 | 2006 | → | (x2) | FDB2196 | | FDB2196 |
| CBF 1000 / ST | 1000 | 2011 | → | (x2) | FDB2196 | | FDB754 |
| CBR 1000 BIG ONE | 1000 | 1993 | → 1997 | (x2) | FDB533 | | FDB754 |
| CBR 1000 F | 1000 | 1987 | → 1988 | (x2) | FDB452 | | FDB538 |
| CBR 1000 F | 1000 | 1989 | → 1992 | (x2) | FDB570 | | FDB570 |
| CBR 1000 F-FP | 1000 | 1993 | → 1999 | (x2) | FDB2002 | | FDB2002 |
| CBR 1000 FIREBLADE | 1000 | 2004 | → 2005 | (x2) | FDB2181 | | FDB754 |
| CBR 1000 FIREBLADE - Racing Applications | 1000 | 2004 | → 2005 | (x2) | FDB2205 | | FDB754 |
| CBR 1000 FIREBLADE RR / Hansspree Ed. | 1000 | 2006 | → | (x2) | FDB2181 | | FDB2221 |
| CBR 1000 R HURRICANE | 1000 | 1987 | → 1988 | (x2) | FDB452 | | FDB538 |
| CBR 1000RR Fireblade | 1000 | 2014 | → | (x2) | FDB2181 | | FDB2221 |
| CBR1000RR Fireblade SP (Racing version pad) | 1000 | 2014 | → | (x2) | FDB2218 | | FDB2221 |
| CBR1000RR Fireblade SP (Road version pad) | 1000 | 2014 | → | (x2) | FDB2260 | | FDB2221 |
| CBX 1000 | 1000 | 1977 | → 1980 | (x2) | FDB182 | | FDB182 |
| CBX 1000 B - C | 1000 | 1981 | → 1982 | (x2) | FDB244 | | FDB244 |
| GL 1000 | 1000 | 1981 | → | (x2) | FDB182 | | FDB182 |
| GL 1000 K1 - 2 - 3 | 1000 | 1977 | → 1979 | (x2) | FDB182 | | FDB134 |
| GL 1000 KZ | 1000 | 1977 | → 1979 | (x2) | FDB182 | | FDB134 |
| VF 1000 - 2 | 1000 | 1984 | → 1986 | (x2) | FDB244 | | FDB665 |
| VF 1000 BOL D'OR | 1000 | 1984 | → 1986 | (x2) | FDB244 | | FDB665 |
| VF 1000 F - FE | 1000 | 1984 | → 1986 | (x2) | FDB244 | | FDB665 |
| VF 1000 RE - RF | 1000 | 1984 | → 1986 | (x2) | FDB244 | | |
| VTR 1000 FV FIRESTORM - SUPERHAWK | 1000 | 1997 | → 2000 | (x2) | FDB533 | | FDB754 |
| VTR 1000 SP-1 (Japan) | 1000 | 2000 | → 2004 | (x2) | FDB2114 | | FDB754 |
| VTR 1000 SP-1 (SP45) | 1000 | 2000 | → 2001 | (x2) | FDB2079 | | FDB754 |
| VTR 1000 SP-2 (R51) | 1000 | 2002 | → | (x2) | FDB2079 | | FDB754 |
| XL 1000 V VARADERO | 1000 | 1999 | → 2003 | (x2) | FDB2098 | | FDB2075 |
| XL 1000 VARADERO A4 (ABS) | 1000 | 2004 | → | (x2) | FDB2196 | | FDB2075 |
| 1100 AMERICAN CLASSIC EDITION | 1100 | 1995 | → | | FDB570 | | FDB754 |
| CB 1100 | 1100 | 2013 | → | (x2) | FDB2196 | | FDB754 |
| CB 1100 FD | 1100 | 1980 | → 1983 | (x2) | FDB244 | | FDB244 |
| CB 1100 HORNET | 1100 | 1999 | → 2000 | (x2) | FDB2098 | | FDB2073 |
| CB 1100 RBI - II | 1100 | 1980 | → 1983 | (x2) | FDB244 | | FDB244 |
| CB 1100 RC | 1100 | 1980 | → 1983 | (x2) | FDB538 | | FDB538 |
| CB 1100 RC ventilated discs | 1100 | 1980 | → 1983 | (x2) | FDB538 | | FDB538 |

* It is recommended that in those applications where sintered pads are supplied as Original Equipment, replacement pads should also be of sintered composition.

** To avoid brake imbalance sintered pads fitted in rear calipers should only be used in combination with front calipers containing sintered pads.



CC FROM → TO



NOTES



NOTES

...HONDA

| | | | | |
|---|------|-------------|--------------|---------|
| CB 1100 RCII | 1100 | 1980 → 1983 | (x2) FDB244 | FDB244 |
| CBR 1100 XX Superblackbird | 1100 | 1996 → 1997 | (x2) FDB2073 | FDB2075 |
| CBR 1100 XX Superblackbird | 1100 | 1998 → | (x2) FDB2098 | FDB2098 |
| CBX 1100 F | 1100 | 1982 → 1985 | (x2) FDB538 | FDB244 |
| GL 1100 | 1100 | 1980 → 1981 | (x2) FDB182 | FDB182 |
| GL 1100 / DX | 1100 | 1982 → | (x2) FDB244 | FDB244 |
| ST 1100 PAN EUROPEAN | 1100 | 1990 → 2000 | (x2) FDB570 | FDB570 |
| ST 1100 PAN EUROPEAN ABS/TCS | 1100 | 1992 → 1995 | (x2) FDB570 | FDB570 |
| ST 1100 PAN EUROPEAN ABS/TCS (Dual brake) | 1100 | 1996 → 2000 | (x2) FDB2098 | FDB2075 |
| VT 1100 C | 1100 | 1985 → 1993 | FDB244 | FSB761 |
| VT 1100 C MAGNA | 1100 | 1983 → 1985 | (x2) FDB244 | FDB244 |
| VT 1100 C SHADOW | 1100 | 1994 → | FDB570 | FSB761 |
| VT 1100 C2 SHADOW | 1100 | 1995 → | (x2) FDB570 | FDB754 |
| X 11 1100 | 1100 | 2000 → 2002 | (x2) FDB2073 | FDB2075 |
| GL 1200 DX all models | 1200 | 1984 → 1986 | (x2) FDB244 | FDB244 |
| VFR 1200 F (Manual Transmission) | 1200 | 2010 → | (x2) FDB2259 | FDB2253 |
| VFR 1200 FD -DCT (Automatic Transmission) | 1200 | 2010 → | (x2) FDB2259 | FDB2253 |
| CROSSTOURER | 1250 | 2012 → | (x2) FDB2196 | |
| CROSSTOURER DCT (DUAL CLUTCH TRASMISSION) | 1250 | 2014 → | (x2) FDB2196 | FDB2253 |
| CB 1300 | 1300 | 2001 → | (x2) FDB2079 | FDB754 |
| CB 1300 S | 1300 | 2011 → | (x2) FDB2196 | FDB754 |
| CB 1300 SF | 1300 | 1998 → 2000 | (x2) FDB2036 | FDB2111 |
| CB 1300 X4 | 1300 | 1997 → 2000 | (x2) FDB533 | FDB2111 |
| CTX1300 | 1300 | 2014 → | (x2) FDB2196 | FDB2098 |
| ST 1300 PAN EUROPEAN / ABS | 1300 | 2002 → | (x2) FDB2098 | FDB2098 |
| ST 1300 PAN EUROPEAN / ABS | 1300 | 2008 → | (x2) FDB2196 | FDB2098 |
| VT 1300 CX | 1300 | 2010 → | FDB664 | FDB754 |
| VTX 1300 S / C | 1300 | 2003 → | FDB570 | FDB754 |
| GL 1500 FC6 | 1500 | 1997 → 1999 | (x2) FDB570 | FDB570 |
| GL 1500 GOLD-ASPENCADE | 1500 | 1992 → | (x2) FDB663 | FDB244 |
| GL 1500 SE GOLD WING | 1500 | 1993 → 2000 | (x2) FDB663 | FDB244 |
| GL 1520 | 1500 | 1988 → 1989 | (x2) FDB665 | FDB244 |
| GL 1520 / 6 GOLD WING | 1500 | 1988 → 1991 | (x2) FDB663 | FDB665 |
| GL 1800 GOLDWING | 1800 | 2001 → | (x2) FDB2098 | FDB2098 |
| VTX 1800 | 1800 | 2001 → | (x2) FDB2098 | FDB2098 |
| GOLDWING F6B | 1832 | 2012 → | (x2) FDB2098 | FDB2098 |

HONDA-HM ITALIA

| | | | | |
|------------------------------|-----|-------------|-------------|--------|
| CRE 50 (from frame nr.2819) | 50 | → | FDB677 | FDB828 |
| CRE 50 (up to frame nr.1000) | 50 | → | FDB499 | FDB475 |
| CB 125 | 125 | 1979 → | | FSB704 |
| DT 125 | 125 | 1987 → | FDB438 | FSB704 |
| MTX 125 R | 125 | 1986 → | FDB438 | FSB704 |
| MTX 125 RALLY SPORT | 125 | 1988 → | FDB438 | FSB704 |
| NS 125 F | 125 | 1985 → | FDB438 | FSB704 |
| NS 125 R SUPER SPORT | 125 | 1987 → | (x2) FDB438 | FSB704 |
| NSR 125 R | 125 | 1989 → | FDB438 | FRP416 |
| XL 125 | 125 | 1979 → | FSB704 | FSB704 |
| XL 125 L PARIS DAKAR | 125 | 1985 → | FDB438 | FSB704 |
| XL 125 PARIS DAKAR | 125 | 1984 → 1985 | FSB704 | FSB704 |
| XL 125 R2 | 125 | 1987 → | FDB438 | FSB704 |
| XL 200 L | 200 | 1985 → | FDB438 | FSB704 |
| XL 200 L PARIS DAKAR | 200 | 1987 → | FDB438 | FSB704 |
| XL 200 R | 200 | 1983 → | FSB704 | FSB704 |
| XL 200 R PARIS DAKAR | 200 | 1984 → | FSB704 | FSB704 |
| XL 200 R2 | 200 | 1987 → | FDB438 | FSB704 |

HOREX

| | | | | |
|------------------|----|---|-------------|--|
| REBELL 80 N | 80 | → | FDB213 | |
| REBELL 80 SPORTL | 80 | → | (x2) FDB213 | |
| REBELL 80 T | 80 | → | (x2) FDB213 | |

HRD

| | | | | |
|----------------|-----|--------|--------|--------|
| RP 80 CROSS | 80 | 1983 → | FSB833 | FSB833 |
| FORMULA 125 LS | 125 | 1986 → | FDB694 | FDB694 |
| PLATINO 125 SL | 125 | 1986 → | FDB694 | FDB694 |
| PLATINO 125 ST | 125 | 1986 → | FDB207 | |

* It is recommended that in those applications where sintered pads are supplied as Original Equipment, replacement pads should also be of sintered composition.

** To avoid brake imbalance sintered pads fitted in rear calipers should only be used in combination with front calipers containing sintered pads.



CC FROM -> TO



NOTES



NOTES

...HRD

| | | | | | | |
|------------------|-----|------|---|--------|--|--------|
| ROAD 125 ST | 125 | 1986 | → | FDB207 | | |
| SILVER 125 HOUSE | 125 | 1986 | → | FDB694 | | FDB694 |

HSC

| | | | | | | |
|-----------|----|------|---|--------|--|--------|
| HSC 01 50 | 50 | 1992 | → | FDB625 | | FSB714 |
| SR 50 DIO | 50 | 1992 | → | FDB625 | | FSB714 |
| ZR 50 | 50 | 1992 | → | FDB625 | | FSB714 |
| ZX 50 DIO | 50 | 1992 | → | FDB625 | | FSB714 |

HUSABERG

| | | | | | | |
|------------------------------|-----|------|--------|---------|--|---------|
| 501 ENDURO | 50 | 1992 | → 1993 | FDB499 | | FDB314 |
| FC 501 | 50 | 1998 | → | FDB2018 | | FDB2005 |
| FE 501 S - E | 50 | 1998 | → | FDB2018 | | FDB2005 |
| FE 350 / 450 / 550 / 650 / E | 350 | 1995 | → | FDB2018 | | FDB2005 |
| MC 350 | 350 | 1991 | → 1993 | FDB499 | | FDB314 |
| MC 350 | 350 | 1994 | → | FDB499 | | FDB2005 |
| FC 400 | 400 | 1999 | → | FDB2018 | | FDB2005 |
| FE 400 S - E | 400 | 1998 | → | FDB2018 | | FDB2005 |
| FE 450 | 450 | 2003 | → 2006 | FDB2018 | | FDB2005 |
| FE 450 c | 450 | 2006 | → | FDB2245 | | FDB2005 |
| 500 all models | 500 | 1991 | → 1992 | FDB499 | | FDB314 |
| 500 all models | 500 | 1993 | → 1995 | FDB2018 | | FDB314 |
| 500 all models | 500 | 1996 | → | FDB2018 | | FDB2005 |
| FC 350 / 450 / 550 | 550 | 1995 | → | FDB2018 | | FDB2005 |
| FE 550 E Strada | 550 | 2008 | → | FDB2018 | | FDB2005 |
| FE 570 | 570 | 2009 | → | FDB2018 | | FDB2005 |
| 600 ENDURO | 600 | 1992 | → 1993 | FDB499 | | FDB314 |
| EF 600 E (Quad) | 600 | 1998 | → | FDB2005 | | FDB314 |
| FC 600 SUPERMOTARD | 600 | 1998 | → | FDB2018 | | FDB2005 |
| FE 600 S - E - R | 600 | 1998 | → | FDB2018 | | FDB2005 |
| FE 600 SUPERMOTARD | 600 | 2000 | → 2007 | FRP408 | | FDB2005 |
| FE 650 E | 650 | 2006 | → 2008 | FDB2018 | | FDB2005 |
| FS 650 e, c | 650 | 2006 | → | FDB2245 | | FDB2005 |

HUSQVARNA

| | | | | | | |
|--------------------------|-----|------|--------|---------|--|---------|
| CR 50 | 50 | 2010 | → 2012 | FDB2183 | | FDB2183 |
| CR 50 Junior | 50 | 2005 | → | FDB2127 | | |
| CR 50 Senior Pro | 50 | 2005 | → | FDB2127 | | FDB2183 |
| SM 50 | 50 | 2010 | → 2012 | FDB2183 | | FDB2183 |
| WRS 50 (SCOOTER) | 50 | 1998 | → 2000 | FRP405 | | FSB788 |
| CR 65 | 65 | 2010 | → 2012 | FDB2157 | | FDB2257 |
| TE 100 | 100 | 2005 | → | FDB2127 | | |
| 125 ALL MODELS 1992 | 125 | 1992 | → | FDB497 | | FDB250 |
| 125 ALL MODELS 1993 | 125 | 1993 | → | FDB497 | | FDB661 |
| 125 ALL MODELS 1994-1995 | 125 | 1994 | → 1995 | FDB2018 | | FDB2005 |
| CR 125 | 125 | 1981 | → 1982 | FSB850 | | FSB850 |
| CR 125 | 125 | 1983 | → 1984 | FSB812 | | FSB850 |
| CR 125 | 125 | 1985 | → 1995 | FDB207 | | FSB812 |
| CR 125 | 125 | 1996 | → 2004 | FDB2018 | | FDB2005 |
| CR 125 | 125 | 2005 | → 2012 | FDB2018 | | FDB2165 |
| CR 125 CROSS | 125 | 1991 | → 1995 | FDB499 | | FDB314 |
| ENDURO WR 125 | 125 | 2010 | → | FDB2018 | | FDB2165 |
| RC 125 | 125 | 1981 | → 1982 | FSB850 | | FSB850 |
| RC 125 | 125 | 1983 | → 1984 | FSB812 | | FSB850 |
| SM 125 S | 125 | 2002 | → 2011 | FDB2018 | | FDB2005 |
| SM 125 S (4T) | 125 | 2011 | → | FDB2018 | | FDB2005 |
| SM 125 S SUPERMOTARD | 125 | 1998 | → 1999 | FDB2018 | | FDB2005 |
| TE 125 | 125 | 2007 | → 2010 | FDB2018 | | FDB539 |
| TE 125 | 125 | 2011 | → | FDB2018 | | FDB2005 |
| WR 125 | 125 | 1983 | → 1985 | FSB813 | | FSB850 |
| WR 125 | 125 | 1986 | → | FDB207 | | FSB812 |
| WR 125 | 125 | 1987 | → 1990 | FDB499 | | FSB812 |
| WR 125 | 125 | 1991 | → 1997 | FDB499 | | FDB314 |
| WR 125 | 125 | 1998 | → 2005 | FDB2018 | | FDB2005 |
| WR 125 / WRE 125 | 125 | 2006 | → | FDB2018 | | FDB2165 |
| WRE 125 | 125 | 1983 | → 1984 | FSB813 | | FSB850 |
| WRE 125 | 125 | 1988 | → | FDB499 | | FSB812 |

* It is recommended that in those applications where sintered pads are supplied as Original Equipment, replacement pads should also be of sintered composition.

** To avoid brake imbalance sintered pads fitted in rear calipers should only be used in combination with front calipers containing sintered pads.



CC FROM → TO



NOTES



NOTES

...HUSQVARNA

| | | | | | | |
|--------------------------|-----|------|---|------|---------|---------|
| WRE 125 | 125 | 1989 | → | 1994 | FDB499 | FSB816 |
| WRE 125 / DUAL | 125 | 1994 | → | | FDB2018 | FDB2005 |
| WXE 125 | 125 | 2007 | → | | FDB706 | FDB539 |
| CR 240 | 240 | 1981 | → | 1982 | FSB812 | FSB850 |
| CR 240 | 240 | 1983 | → | 1986 | FSB813 | FSB850 |
| CR 240 | 240 | 1987 | → | | FDB499 | FSB812 |
| RC 240 | 240 | 1981 | → | 1982 | FSB812 | FSB850 |
| RC 240 | 240 | 1983 | → | | FSB813 | FSB850 |
| WR 240 | 240 | 1983 | → | 1984 | FSB813 | FSB850 |
| WR 240 | 240 | 1985 | → | | FSB813 | FSB812 |
| WR 240 | 240 | 1986 | → | | FDB207 | FSB812 |
| WR 240 | 240 | 1987 | → | 1990 | FDB499 | FSB812 |
| WR 240 | 240 | 1991 | → | | FDB499 | FDB314 |
| WRE 240 | 240 | 1983 | → | | FSB813 | FSB850 |
| WRK 240 | 240 | 1988 | → | | FDB499 | FSB812 |
| 250 ALL MODELS 1992 | 250 | 1992 | → | | FDB497 | FDB250 |
| 250 ALL MODELS 1993 | 250 | 1993 | → | | FDB497 | FDB661 |
| 250 ALL MODELS 1994-1995 | 250 | 1994 | → | 1995 | FDB2018 | FDB2005 |
| CR 250 | 250 | 1981 | → | 1982 | FSB812 | FSB850 |
| CR 250 | 250 | 1983 | → | 1984 | FSB813 | FSB850 |
| CR 250 | 250 | 1985 | → | 1995 | FDB207 | FSB812 |
| CR 250 | 250 | 1996 | → | | FDB2018 | FDB2005 |
| CR 250 | 250 | 2005 | → | 2007 | FDB2018 | FDB2165 |
| CR 250 CROSS | 250 | 1991 | → | 1995 | FDB499 | FDB314 |
| RC 250 | 250 | 1981 | → | 1982 | FSB812 | FSB850 |
| RC 250 | 250 | 1983 | → | | FSB813 | FSB850 |
| SMS 250 | 250 | 2011 | → | | FDB2018 | FDB2005 |
| TC / TE 250 | 250 | 2002 | → | 2005 | FDB2018 | FDB2005 |
| TC / TE 250 | 250 | 2006 | → | | FDB2018 | FDB2165 |
| TC 250 R | 250 | 2013 | → | | FDB2018 | FDB2165 |
| TE 250 R | 250 | 2012 | → | | FDB2018 | FDB2165 |
| WR 250 | 250 | 1983 | → | 1986 | FSB813 | FSB850 |
| WR 250 | 250 | 1987 | → | 1989 | FDB499 | FSB812 |
| WR 250 | 250 | 1990 | → | | FDB499 | FDB314 |
| WR 250 | 250 | 1991 | → | 1997 | FDB499 | FDB314 |
| WR 250 | 250 | 1998 | → | | FDB2018 | FDB2005 |
| WRE 250 | 250 | 1983 | → | | FSB813 | FSB850 |
| XC 250 | 250 | 1987 | → | | FDB499 | FSB812 |
| WR 260 | 260 | 1991 | → | | FDB499 | FDB314 |
| WRK 260 | 260 | 1988 | → | | FDB499 | FSB812 |
| WR 300 | 300 | 2009 | → | | FDB2018 | FDB2005 |
| TE 310 | 310 | 2009 | → | | FDB2018 | FDB2165 |
| TE 310 R | 310 | 2012 | → | | FDB2018 | FDB2165 |
| TE 350 | 350 | 1990 | → | 1995 | FDB499 | FDB314 |
| TE 350 | 350 | 1996 | → | | FDB2018 | FDB2005 |
| WR 360 ENDURO | 360 | 1998 | → | 1999 | FDB2018 | FDB2005 |
| RC 390 | 390 | 1978 | → | 1980 | FSB850 | FSB850 |
| TE 400 E DUAL - ENDURO | 400 | 1998 | → | | FDB2018 | FDB2005 |
| WR 400 | 400 | 1985 | → | | FSB813 | FSB812 |
| WR 400 | 400 | 1986 | → | | FDB207 | FSB812 |
| WR 400 | 400 | 1987 | → | | FDB499 | FSB812 |
| TE 410 E | 410 | 2000 | → | | FDB2018 | FDB2005 |
| AE 430 | 430 | 1988 | → | | FDB499 | FSB812 |
| AUTO 430 | 430 | 1987 | → | | FDB499 | FSB812 |
| CR 430 | 430 | 1981 | → | 1982 | FSB812 | FSB850 |
| CR 430 | 430 | 1987 | → | | FDB499 | FSB812 |
| OR 430 | 430 | 1981 | → | 1982 | FSB812 | FSB850 |
| RC 430 | 430 | 1981 | → | 1982 | FSB812 | FSB850 |
| WR 430 | 430 | 1981 | → | 1982 | FSB812 | FSB850 |
| WR AE 430 | 430 | 1987 | → | | FDB499 | FSB812 |
| WRE 430 | 430 | 1981 | → | 1982 | FSB812 | FSB850 |
| XC 430 | 430 | 1981 | → | 1982 | FSB812 | FSB850 |
| XC 430 | 430 | 1987 | → | | FDB499 | FSB812 |
| SMR 449 | 449 | 2011 | → | | FDB2120 | FDB539 |
| TC / TE 449 | 449 | 2011 | → | | FDB2018 | FDB2165 |
| ENDURO TE 450/510 | 450 | 2010 | → | | FDB2018 | FDB2165 |
| SM 450 R | 450 | 2004 | → | 2006 | FRP408 | FDB2005 |
| SM 450 R /RR | 450 | 2007 | → | 2009 | FDB2120 | FDB2165 |
| SM 450 RR | 450 | 2010 | → | | FDB2099 | FDB2165 |
| TC / TE 450 | 450 | 2003 | → | 2006 | FDB2018 | FDB2005 |
| TC / TE 450 | 450 | 2007 | → | 2010 | FDB2018 | FDB2165 |
| CR 490 | 490 | 1983 | → | | FSB813 | FSB850 |

* It is recommended that in those applications where sintered pads are supplied as Original Equipment, replacement pads should also be of sintered composition.

** To avoid brake imbalance sintered pads fitted in rear calipers should only be used in combination with front calipers containing sintered pads.



CC

FROM → TO



NOTES



NOTES

...HUSQVARNA

| | | | | | |
|------------------------|-----|------|--------|---------|---------|
| AE 500 | 500 | 1984 | → | FSB813 | FSB850 |
| CR 500 | 500 | 1985 | → | FDB207 | FSB812 |
| TC 500 | 500 | 1984 | → | FSB813 | FSB850 |
| XC 500 | 500 | 1987 | → | FDB499 | FSB812 |
| 510 | 510 | 1986 | → | FDB207 | FSB812 |
| SM 510 R | 510 | 2004 | → 2006 | FRP408 | FDB2005 |
| SM 510 R | 510 | 2007 | → | FDB2120 | FDB2165 |
| TC / TE 510 | 510 | 2004 | → 2005 | FDB2018 | FDB2005 |
| TC / TE 510 | 510 | 2006 | → | FDB2018 | FDB2165 |
| TC 510 | 510 | 1988 | → | FDB499 | FSB812 |
| TE - AC - LC 510 | 510 | 1987 | → | FDB499 | FSB812 |
| TE 510 | 510 | 1984 | → 1986 | FSB813 | FSB850 |
| TE 510 | 510 | 1990 | → | FDB499 | FDB314 |
| TX 510 | 510 | 1984 | → | FSB813 | FSB850 |
| SMR 511 | 511 | 2011 | → | FDB2120 | FDB2165 |
| TC 511 | 511 | 2011 | → | FDB2018 | FDB2165 |
| SM 570 R | 570 | 2004 | → | FRP408 | FDB2005 |
| TE 570 | 570 | 2004 | → | FDB2018 | FDB2005 |
| LT 600 DUAL | 600 | 1998 | → | FDB2042 | FDB2018 |
| SM 600 SUPERMOTARD | 600 | 1998 | → | FDB2042 | FDB2005 |
| TE 600 | 600 | 1996 | → | FDB2018 | FDB2005 |
| TE 600 E DUAL - ENDURO | 600 | 1998 | → | FDB2018 | FDB2005 |
| WRK 600 | 600 | 1989 | → | FDB499 | FSB816 |
| LT 610 | 610 | 2000 | → | FDB2042 | FDB2005 |
| SM 610 / S | 610 | 2000 | → 2006 | FDB2042 | FDB2005 |
| SM 610 R / IE | 610 | 2007 | → | FDB2120 | FDB2005 |
| TC 610 | 610 | 1996 | → | FDB2018 | FDB2005 |
| TC 610 CROSS | 610 | 1991 | → | FDB497 | FDB250 |
| TE 610 | 610 | 1991 | → | FDB497 | FDB250 |
| TE 610 E | 610 | 1995 | → | FDB2018 | FDB2005 |
| TE 610 E SUPERMOTARD | 610 | 2000 | → | FDB2042 | FDB2005 |
| SM 630 S | 630 | 2010 | → | FDB2120 | FDB2005 |
| SMR 630 | 630 | 2004 | → 2006 | FRP408 | FDB2005 |
| SMR 630 | 630 | 2011 | → | FDB2120 | FDB2005 |
| TE 630 | 630 | 2010 | → | FDB2018 | FDB2005 |
| BAJA | 650 | 2013 | → | FDB2006 | FDB2005 |
| Moab | 650 | 2012 | → | FDB2006 | FDB2005 |
| SMR 650 | 650 | 2007 | → | FDB2123 | FDB2005 |
| STR 650 | 650 | 2007 | → | FDB2120 | FDB2005 |
| TR 650 strada | 650 | 2012 | → | FDB2006 | FDB2005 |
| TR 650 terra | 650 | 2012 | → | FDB2006 | FDB2005 |
| NUDA 900 | 900 | 2012 | → (x2) | FDB2260 | FDB2005 |
| NUDA 900 ABS | 900 | 2013 | → (x2) | FDB2260 | FDB2005 |
| NUDA 900 R | 900 | 2012 | → (x2) | FDB2099 | FDB2005 |
| NUDA 900 R ABS | 900 | 2013 | → (x2) | FDB2099 | FDB2005 |

HYOSUNG

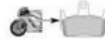
| | | | | | |
|------------------------|-----|------|--------|--------|--------|
| Electric GEM 4.0 | | 2010 | → | FDB631 | FDB631 |
| AVANTI 50 | 50 | 1999 | → | FDB313 | |
| RUSH 50 | 50 | 1997 | → | FDB313 | |
| SENSE 50 | 50 | 1998 | → | FDB313 | |
| SF 50 / RALLY / RACING | 50 | 1999 | → | FDB313 | |
| SUPER CAB 50 | 50 | 1995 | → 1997 | FDB313 | |
| SUPER CAB 50 PLUS | 50 | 1998 | → | FDB313 | |
| CAB 100 | 100 | 1998 | → | FDB313 | |
| KR 110 MASTER | 110 | 2004 | → | FDB313 | FSB722 |
| MIDAS 110 PLUS | 110 | 1998 | → | FDB313 | |
| COMET 125 / GT 125R | 125 | 2004 | → | FDB312 | FDB312 |
| GRAND PRIX 125 | 125 | 1998 | → | FDB680 | |
| GV 125 AQUILA | 125 | 2001 | → | FDB312 | FSB776 |
| HYPER 125 | 125 | 1999 | → | FDB680 | |
| KARION RT 125 D | 125 | 2002 | → | FDB312 | FSB776 |
| MS3 125 | 125 | 2006 | → | FDB497 | |
| MS3 125 | 125 | 2006 | → | FDB631 | FDB631 |
| RX 125 | 125 | 2001 | → 2007 | FDB312 | FSB721 |
| RX 125 SM | 125 | 2007 | → | FDB312 | FDB312 |
| V2 125 | 125 | 1999 | → | FDB570 | |
| XRX 125 OFFROAD | 125 | 1999 | → | FDB312 | FSB776 |
| GRAND PRIX 150 | 150 | 1998 | → | FDB680 | |
| COMET 250 / GT 250R | 250 | 2004 | → (x2) | FDB312 | FDB312 |
| GV 250 AQUILA | 250 | 2001 | → | FDB312 | FSB776 |

* It is recommended that in those applications where sintered pads are supplied as Original Equipment, replacement pads should also be of sintered composition.

** To avoid brake imbalance sintered pads fitted in rear calipers should only be used in combination with front calipers containing sintered pads.



CC FROM → TO



NOTES



NOTES

...HYOSUNG

| | | | | | | |
|------------------|------|------|-------------|---------|--|---------|
| MS3 250 | 250 | 2006 | → | FDB497 | | |
| MS3 250 | 250 | 2006 | → | FDB631 | | FDB631 |
| GA 300 | 300 | 1998 | → | FDB339 | | |
| COMET GT 650 | 650 | 2006 | → 2009 (x2) | FDB312 | | FDB312 |
| COMET GT 650 / R | 650 | 2010 | → (x2) | FDB2178 | | FDB312 |
| COMET GT 650R | 650 | 2004 | → 2009 (x2) | FDB312 | | FDB312 |
| GT 650 R / S | 650 | 2004 | → (x2) | FDB312 | | FDB312 |
| GV 650 | 650 | 2004 | → 2005 | FDB312 | | FDB2156 |
| GV 650 AQUILA | 650 | 2006 | → (x2) | FDB312 | | FDB312 |
| AQUILA GV 700 | 700 | 2010 | → | FDB2178 | | FDB312 |
| GV 1000 | 1000 | 2004 | → | FDB312 | | FDB2156 |

INDIAN

| | | | | | | |
|-----------------------------------|--|------|---|---------|--|---------|
| CHIEF / SPIRIT / SCOUT All Models | | 2003 | → | FDB2040 | | FDB2040 |
|-----------------------------------|--|------|---|---------|--|---------|

INNOCENTI

| | | | | | | |
|---------------------|-----|--|---|--------|--|--------|
| LAMBRETTA J 50 | 50 | | → | FSB840 | | FSB840 |
| LAMBRETTA J 100 | 100 | | → | FSB842 | | FSB842 |
| LAMBRETTA 125 DL | 125 | | → | FSB843 | | FSB843 |
| LAMBRETTA 125 LI | 125 | | → | FSB839 | | FSB839 |
| LAMBRETTA J 125 | 125 | | → | FSB842 | | FSB842 |
| LAMBRETTA 150 DL | 150 | | → | FSB843 | | FSB843 |
| LAMBRETTA 150 LI | 150 | | → | FSB839 | | FSB839 |
| LAMBRETTA 175 LI | 175 | | → | FSB839 | | FSB839 |
| LAMBRETTA 175 TV II | 175 | | → | FSB839 | | FSB839 |
| LAMBRETTA 200 DL | 200 | | → | FSB843 | | FSB843 |

ITALJET

| | | | | | | |
|-------------------------|-----|------|--------|---------|--|---------|
| ADLY 50 | 50 | 1990 | → 1995 | | | FSB731 |
| BAZOOKA 1 50 | 50 | 1991 | → | FSB914 | | FSB862 |
| BAZOOKA 2 50 | 50 | 1992 | → 1997 | FDB636 | | FSB862 |
| CRUISE 50 | 50 | 1995 | → 1998 | FDB636 | | |
| DRAGSTER 50 | 50 | 1998 | → 2003 | FRP405 | | FRP405 |
| FORMULA 50 | 50 | 1994 | → 1996 | FDB784 | | FDB680 |
| FORMULA 50 | 50 | 1997 | → 2003 | FRP405 | | FRP405 |
| PISTA 2 50 | 50 | 1992 | → 1996 | FDB636 | | FSB862 |
| REPORTER 50 | 50 | 1990 | → 1993 | FSB914 | | FSB862 |
| RG 50 | 50 | 1998 | → | FRP405 | | |
| SCOOP 50 | 50 | 1993 | → | FDB636 | | FSB862 |
| SHOPPING 50 | 50 | 1990 | → | FSB910 | | FSB889 |
| T 50 | 50 | | → | FSB837 | | FSB837 |
| TORPEDO 50 | 50 | 1997 | → | FRP405 | | FSB777 |
| VELOCIFERO 50 | 50 | 1994 | → 2002 | FSB762 | | FSB777 |
| YANKEE 8 50 | 50 | 1994 | → | FDB636 | | FSB862 |
| FORMULA 80 | 80 | 1994 | → | FDB784 | | FDB680 |
| MILLENNIUM 100 | 100 | 2000 | → 2001 | FDB383 | | FSB947 |
| MILLENNIUM 100 | 100 | 2002 | → 2003 | FDB2128 | | FSB947 |
| T 100 | 100 | | → | FSB837 | | FSB837 |
| DRAGSTER 125 | 125 | 1999 | → | FRP405 | | |
| DRAGSTER 125 | 125 | 2000 | → 2003 | FRP405 | | FRP405 |
| FORMULA 125 | 125 | 1994 | → 1996 | FDB784 | | FDB680 |
| FORMULA 125 | 125 | 1997 | → 2003 | FRP405 | | FRP405 |
| JET SET 125 | 125 | 2002 | → 2003 | FDB2128 | | |
| JUPITER 125 | 125 | 2001 | → | FDB2003 | | FDB2083 |
| JUPITER 125 / 150 / 250 | 125 | 2002 | → 2003 | FDB2003 | | FDB2147 |
| MILLENNIUM 125 | 125 | 2000 | → 2001 | FDB383 | | FSB947 |
| MILLENNIUM 125 | 125 | 2001 | → 2003 | FDB2128 | | FSB947 |
| RANGER 125 | 125 | 1985 | → | FSB837 | | FSB837 |
| SKIPPER 125 | 125 | 1985 | → | FSB837 | | FSB837 |
| T 125 | 125 | | → | FSB837 | | FSB837 |
| TORPEDO 125 | 125 | 1999 | → 2003 | FRP405 | | |
| TWIN 125 | 125 | 1998 | → 2000 | FRP405 | | FRP405 |
| JET SET 150 | 150 | 2002 | → 2003 | FDB2128 | | |
| MILLENNIUM 150 | 150 | 2000 | → 2001 | FDB383 | | FSB947 |
| MILLENNIUM 150 | 150 | 2001 | → 2003 | FDB2128 | | FSB947 |
| DRAGSTER 180 | 180 | 1999 | → | FRP405 | | |
| DRAGSTER 180 | 180 | 2000 | → 2003 | FRP405 | | FRP405 |

* It is recommended that in those applications where sintered pads are supplied as Original Equipment, replacement pads should also be of sintered composition.

** To avoid brake imbalance sintered pads fitted in rear calipers should only be used in combination with front calipers containing sintered pads.



CC FROM -> TO



NOTES



NOTES

...ITALJET

| | | | | | |
|-----------------|-----|------|--------|---------|---------|
| JUPITER 250 | 250 | 2001 | → | FDB2003 | FDB2083 |
| JUPITER 250 | 250 | 2002 | → | FDB2003 | FDB2147 |
| T 250 | 250 | | → | FSB837 | FSB837 |
| T 250 PIUMA | 250 | 1985 | → | FSB837 | FSB837 |
| BOSS 350 4 T | 350 | | → | FSB837 | FSB837 |
| BOSS 350 ENDURO | 350 | | → | FDB207 | FSB837 |
| CUSTOM 350 | 350 | 1985 | → | FSB837 | |
| CX 350 | 350 | 1985 | → | FDB207 | FSB837 |
| EXPLORER 350 | 350 | 1985 | → | FSB837 | FSB837 |
| H&H 350 2 T | 350 | | → | FSB837 | FSB837 |
| ROAD MASTER 350 | 350 | | → | FDB207 | |
| SCOTT 350 4 T | 350 | | → | FSB837 | FSB837 |
| T 350 PIUMA | 350 | 1985 | → | FSB837 | FSB837 |
| GRIFON 650 | 650 | 2007 | → (x2) | FDB312 | |
| GRIFON 900 | 900 | 2001 | → | FRP408 | |

KAWASAKI

| | | | | | |
|--------------------------|-----|------|--------|---------|--------|
| AE 50 - A1 - A2 | 50 | 1981 | → 1982 | FSB722 | FSB722 |
| AR 50 | 50 | 1981 | → 1995 | FDB313 | FSB722 |
| KMX 50 | 50 | 1988 | → | FDB313 | FSB722 |
| KSR 50 I/II | 50 | 1990 | → 1991 | FDB313 | FDB314 |
| KX 60 A1 - A2 - B1/6 | 60 | 1985 | → 1991 | FSB802 | FSB802 |
| KX 60 B9 | 60 | 1993 | → 2004 | FDB494 | |
| KX 65 | 65 | 1999 | → | FDB2110 | FDB250 |
| KX 65 | 65 | 2000 | → | FDB2110 | FDB250 |
| AE 80 A1 - B1 | 80 | 1981 | → 1982 | FSB722 | FSB722 |
| AR 80 | 80 | 1981 | → 1982 | FDB313 | FSB722 |
| KD 80 | 80 | 1988 | → 1990 | FDB313 | FSB716 |
| KX 80 B1 - B2 - D1 - D2 | 80 | 1979 | → 1983 | FSB798 | FSB798 |
| KX 80 E1 | 80 | 1983 | → | FSB801 | FSB802 |
| KX 80 E2 | 80 | 1984 | → 1986 | FDB313 | FSB802 |
| KX 80 H - K2 | 80 | 1987 | → 1987 | FDB314 | FSB802 |
| KX 80 R3 | 80 | 1993 | → 1996 | FDB313 | FDB381 |
| KX 80 R7-T7-W1/2-Y1/2 | 80 | 1997 | → 2000 | FDB2080 | FDB381 |
| KX 80 S1 - V1 | 80 | 1988 | → 1991 | FDB313 | FDB381 |
| KX 80 S1 - V1 | 80 | 1992 | → | FDB661 | FDB314 |
| KX 85 / 85-2 A1 / B1 | 85 | 2001 | → | FDB2080 | FDB381 |
| KC 100 C1/2/3/4 | 100 | 1980 | → 1983 | FSB722 | FSB722 |
| KE 100 all models | 100 | 1979 | → 1991 | FSB722 | FSB722 |
| KH 100 A2 - A4 | 100 | 1978 | → 1981 | FSB721 | FSB722 |
| KH 100 G2 - G3 | 100 | 1981 | → 1982 | | FSB722 |
| KH 100 G4 | 100 | 1983 | → | FDB314 | FSB722 |
| KM 100 A4 - A6 | 100 | 1978 | → 1981 | FSB721 | FSB722 |
| KX 100 | 100 | 1988 | → 1991 | FDB313 | FDB381 |
| KX 100 B7 / C1 / C2 / C3 | 100 | 1997 | → 2000 | FDB2080 | FDB381 |
| KLX 110 R | 110 | 2002 | → | FSB802 | FSB722 |
| KAZER 115 R | 115 | 1998 | → 1999 | FDB631 | FSB722 |
| AR 125 A1 - LC | 125 | 1982 | → 1994 | FDB314 | FSB721 |
| BN 125 A1/A2 ELIMINATOR | 125 | 1998 | → 1999 | FDB250 | FSB721 |
| BN 125 A3/A4 ELIMINATOR | 125 | 2000 | → | FDB2087 | FSB721 |
| D-TRACKER 125 | 125 | 2010 | → | FDB497 | |
| KDX 125 A1 | 125 | 1990 | → 1994 | FDB313 | FDB659 |
| KE 125 A4 - A10 | 125 | 1976 | → 1985 | FSB797 | FSB721 |
| KH 125 A1 -A3 | 125 | 1977 | → 1981 | | FSB716 |
| KH 125 EX | 125 | 1982 | → 1983 | FDB314 | FSB721 |
| KH 125 K1 | 125 | 1982 | → 1998 | FDB250 | FSB721 |
| KH 125 K2-4 - L1 | 125 | 1982 | → 1983 | FDB314 | FSB721 |
| KLX 125 | 125 | 2010 | → | FDB497 | |
| KLX 125 A1 | 125 | 2003 | → | FSB723 | FSB723 |
| KLX 125 L | 125 | 2003 | → | FDB2133 | FSB723 |
| KMX 125 | 125 | 1986 | → 2001 | FDB313 | FDB314 |
| KX 125 | 125 | 1986 | → | FDB314 | FDB314 |
| KX 125 | 125 | 1989 | → 1994 | FDB497 | FDB659 |
| KX 125 | 125 | 1996 | → 2002 | FDB892 | FDB539 |
| KX 125 | 125 | 2003 | → | FDB892 | FDB539 |
| KX 125 A3 - A7 | 125 | 1974 | → 1980 | FSB797 | FSB721 |
| KX 125 B1 | 125 | 1981 | → | FDB313 | FSB721 |
| KX 125 B2 - C1 | 125 | 1982 | → 1985 | FDB314 | FSB716 |
| KX 125 E2 - D1 - E2 | 125 | 1987 | → 1988 | FDB494 | FDB314 |
| KX 125 K2-K4 | 125 | 1995 | → | FDB892 | FDB659 |
| KDX 175 all models | 175 | 1980 | → 1982 | FSB797 | FSB721 |

* It is recommended that in those applications where sintered pads are supplied as Original Equipment, replacement pads should also be of sintered composition.

** To avoid brake imbalance sintered pads fitted in rear calipers should only be used in combination with front calipers containing sintered pads.

1040



CC

FROM → TO



NOTES



NOTES

...KAWASAKI

| | | | | |
|-------------------------|-----|------------------|---------|---------|
| KE 175 B1 -B3 | 175 | 1976 → 1978 | FSB797 | FSB797 |
| KE 175 D1 - D5 | 175 | 1979 → 1983 | FSB797 | FSB717 |
| KDX 200 A1 - A2 | 200 | 1983 → 1985 | FSB717 | FSB716 |
| KDX 200 C1 | 200 | 1986 → 1988 | FDB314 | FSB716 |
| KDX 200 E1 | 200 | 1989 → | FDB314 | FDB659 |
| KDX 200 E6 / H1 - H3 | 200 | 1994 → 2003 | FDB892 | FDB659 |
| KDX 200 SR | 200 | 1990 → 1993 | FDB497 | FDB659 |
| KMX 200 | 200 | 1988 → 1992 | FDB313 | FDB314 |
| VN 200 | 200 | 2007 → (x2) | FDB574 | FDB2049 |
| Z 200 A1 - A5 | 200 | 1977 → 1982 | | FSB721 |
| Z 200 A6 | 200 | 1983 → | FDB314 | FSB721 |
| KDX 220 RA4 | 220 | 1997 → 2003 | FDB892 | FDB659 |
| EL 250 all models | 250 | 1991 → 1994 | FDB339 | FSB718 |
| EX 250 H1 - H2 | 250 | 1990 → | FDB481 | FDB314 |
| EX 250 NINJA | 250 | 1986 → 1987 | FDB339 | FDB339 |
| GPX 250 R NINJA | 250 | 1987 → 1995 | FDB481 | FDB508 |
| GPZ 250 | 250 | 1985 → (x2) | FDB314 | FDB339 |
| KDX 250 B1 | 250 | 1979 → | FSB799 | FSB724 |
| KDX 250 BALIUS | 250 | 1991 → 1993 | FDB481 | FDB314 |
| KDX 250 ESTRELLA | 250 | 1992 → 1994 | FDB314 | FDB314 |
| KDX 250 K2-K4 | 250 | 1995 → | FDB892 | FDB539 |
| KDX 250 SR-D | 250 | 1991 → 1993 | FDB497 | FDB659 |
| KH 250 B1 - S | 250 | 1977 → 1982 | FDB132 | FSB793 |
| KL 250 A1 - A2 | 250 | 1978 → 1979 | FSB799 | FSB724 |
| KL 250 A3 - A4 | 250 | 1980 → 1984 | FSB797 | FSB717 |
| KL 250 C1 | 250 | 1980 → 1984 | FSB797 | FSB717 |
| KL 250 SUPER SHERPA | 250 | 2000 → | FDB2080 | FDB314 |
| KLE 250 ANHELO | 250 | 1993 → 1999 | FDB481 | FDB314 |
| KLE 250 ANHELO | 250 | 2000 → 2002 | FDB481 | FDB2015 |
| KLR 250 all models | 250 | 1984 → 2000 | FDB314 | FSB717 |
| KLX 250 | 250 | 1993 → | FDB497 | FDB659 |
| KLX 250 | 250 | 1995 → 1997 | FDB892 | FDB659 |
| KLX 250 | 250 | 2000 → | FSB797 | FSB721 |
| KLX 250 | 250 | 2008 → | FDB497 | FDB2162 |
| KLX 250 H1 SUPER SHERPA | 250 | 1998 → 2005 | FDB2080 | FDB314 |
| KMX 250 | 250 | 1989 → | FDB314 | FDB314 |
| KR-1 250 | 250 | 1988 → | FDB481 | FDB508 |
| KR-1 250 | 250 | 1989 → (x2) | FDB508 | FDB508 |
| KR-1 250 C1 - C3 | 250 | 1990 → 1992 (x2) | FDB574 | FDB508 |
| KX 250 | 250 | 1986 → | FDB314 | FDB314 |
| KX 250 | 250 | 1989 → 1994 | FDB497 | FDB659 |
| KX 250 | 250 | 1994 → 1995 | FDB892 | FDB659 |
| KX 250 | 250 | 1996 → 2002 | FDB892 | FDB539 |
| KX 250 | 250 | 2003 → | FDB892 | FDB539 |
| KX 250 A all models | 250 | 1974 → 1981 | FSB799 | FSB724 |
| KX 250 B1 | 250 | 1982 → | FDB313 | FSB721 |
| KX 250 B2 - B3 | 250 | 1980 → 1981 | FSB799 | FSB721 |
| KX 250 C1 - C2 | 250 | 1983 → 1985 | FDB314 | FSB721 |
| KX 250 E1 - F1 | 250 | 1987 → 1988 | FDB494 | FDB314 |
| KX 250 F | 250 | 2004 → | FDB892 | FDB2162 |
| LX 250 ELIMINATOR - SE | 250 | 1990 → | FDB339 | |
| NINJA 250R | 250 | 2008 → | FDB2087 | FDB2087 |
| S1 250 B | 250 | 1975 → | FSB800 | FSB793 |
| Z 250 | 250 | 1983 → (x2) | FDB339 | FSB718 |
| Z 250 A1 - A2 | 250 | 1978 → 1980 | FDB132 | |
| Z 250 A3 | 250 | 1981 → 1983 | FDB298 | |
| Z 250 B1 - B2 | 250 | 1980 → 1983 | FSB800 | FSB718 |
| Z 250 C1 - C2 | 250 | 1981 → 1983 | FSB800 | FSB721 |
| Z 250 G1 - G2 | 250 | 1981 → 1983 | FSB800 | FSB721 |
| Z 250 GP BELT DRIVE | 250 | 1983 → (x2) | FDB339 | FSB718 |
| Z 250 J1 | 250 | 1981 → 1983 | FDB298 | |
| Z 250 LTD | 250 | 1983 → | FSB800 | FSB721 |
| ZXR 250 | 250 | 1989 → (x2) | FDB508 | FDB314 |
| ZZR 250 (EX 250 H) | 250 | 1990 → 1993 (x2) | FDB481 | FDB314 |
| KLX 300 R | 300 | 1997 → 2003 | FDB892 | FDB539 |
| NINJA 300 | 300 | 2013 → | FDB2087 | FDB2087 |
| GPZ 305 A1 | 305 | 1983 → 1996 (x2) | FDB314 | FSB718 |
| GPZ 305 B2 - B3 | 305 | 1983 → 1996 (x2) | FDB314 | FSB718 |
| GPZ 305 BELT DRIVE | 305 | 1983 → 1996 (x2) | FDB314 | FSB718 |
| EX 4 400 | 400 | 1995 → (x2) | FDB481 | FDB314 |
| GPX 400 | 400 | 1985 → (x2) | FDB314 | FDB339 |
| GPX 400 R | 400 | 1987 → (x2) | FDB508 | FDB481 |

* It is recommended that in those applications where sintered pads are supplied as Original Equipment, replacement pads should also be of sintered composition.

** To avoid brake imbalance sintered pads fitted in rear calipers should only be used in combination with front calipers containing sintered pads.



CC

FROM → TO



NOTES



NOTES

...KAWASAKI

| | | | | | | |
|------------------------|-----|------|---|-----------|---------|---------|
| GPX 400 R | 400 | 1988 | → | (x2) | FDB508 | FDB508 |
| GPZ 400 | 400 | 1983 | → | 1984 (x2) | FDB299 | FDB298 |
| GPZ 400 | 400 | 1985 | → | 1987 (x2) | FDB314 | FDB339 |
| GPZ 400 R | 400 | 1990 | → | (x2) | FDB508 | FDB481 |
| KH 400 A3-5 | 400 | 1976 | → | 1981 | FDB132 | FSB793 |
| KLE 400 | 400 | 1991 | → | | FDB481 | FDB314 |
| KLE 400 VULCAN | 400 | 1990 | → | | FDB339 | |
| LX 400 ELIMINATOR - SE | 400 | 1990 | → | (x2) | FDB314 | |
| VN 400 CLASSIC | 400 | 1999 | → | | FDB2048 | FSB719 |
| VN 400 VULCAN | 400 | 1995 | → | | FDB339 | FSB719 |
| XANTUS 400 | 400 | 1992 | → | | FDB508 | FDB314 |
| Z 400 F2 | 400 | 1985 | → | 1987 (x2) | FDB314 | FDB339 |
| Z 400 G1 | 400 | 1979 | → | | FDB132 | FSB718 |
| Z 400 GP (M1) | 400 | 1983 | → | (x2) | FDB299 | FDB298 |
| Z 400 J1 LTD | 400 | 1980 | → | 1981 | FDB132 | FSB719 |
| Z 400 J2 - J3 | 400 | 1981 | → | 1983 (x2) | FDB299 | FSB719 |
| ZL 400 | 400 | 1986 | → | 1987 | FDB339 | FSB719 |
| ZL 400 ELIMINATOR | 400 | 1988 | → | 1992 | FDB339 | FDB339 |
| ZL 400 ELIMINATOR | 400 | 1993 | → | | FDB481 | FDB339 |
| ZR 400 A1 - F | 400 | 1983 | → | (x2) | FDB314 | FSB718 |
| ZR 400 ZEPHYR | 400 | 1993 | → | 1995 (x2) | FDB481 | FDB2012 |
| ZR 400 ZEPHYR (ZR-C) | 400 | 1989 | → | 1992 (x2) | FDB481 | FDB508 |
| ZRX 400 | 400 | 1998 | → | | FDB873 | FDB2012 |
| ZRX 400 (ZR 400 E2) | 400 | 1999 | → | 2001 (x2) | FDB2124 | FDB2012 |
| ZX 4 400 | 400 | 1988 | → | | FDB508 | FDB508 |
| ZX 400 C2 | 400 | 1985 | → | (x2) | FDB314 | FDB339 |
| ZX 400 L | 400 | 1992 | → | (x2) | FDB741 | FDB338 |
| ZXR 400 | 400 | 1991 | → | (x2) | FDB574 | FDB338 |
| ZXR 400 | 400 | 1994 | → | (x2) | FDB481 | FDB2012 |
| ZXR 400 (ZX 400L) RR | 400 | 1992 | → | (x2) | FDB741 | FDB338 |
| ZZR 400 | 400 | 1990 | → | 1992 (x2) | FDB574 | FDB481 |
| ZZR 400 | 400 | 1993 | → | (x2) | FDB574 | FDB2012 |
| KX 420 A1 - A2 | 420 | 1980 | → | | FSB799 | FSB724 |
| Z 440 A2 - C1 | 440 | 1979 | → | 1982 | FDB132 | FSB718 |
| Z 440 C2 | 440 | 1981 | → | | FDB298 | FSB718 |
| Z 440 D2 - D4 LTD | 440 | 1979 | → | 1982 | FDB132 | FSB718 |
| Z 440 D5 LTD | 440 | 1981 | → | 1983 | FDB298 | FSB718 |
| Z 440 H1 - H2 | 440 | 1981 | → | 1983 | FDB298 | FSB718 |
| KLX 450 R | 450 | 2007 | → | | FDB892 | FDB2162 |
| KX 450 F | 450 | 2006 | → | | FDB892 | FDB2162 |
| LTD450 (EN450 A1-A5) | 454 | 1986 | → | 1989 | FDB339 | FSB719 |
| EN 500 all models | 500 | 1990 | → | 1993 | FDB339 | FSB719 |
| ER-5 500 (ER) | 500 | 1997 | → | 2000 | FDB481 | FSB718 |
| ER-5 500 (ER) | 500 | 2001 | → | | FDB2048 | FSB718 |
| EX 500 all models | 500 | 1987 | → | 1991 | FDB481 | FSB718 |
| GPZ 500 S | 500 | 1987 | → | | FDB339 | FSB718 |
| GPZ 500 S | 500 | 1988 | → | | FDB314 | FSB718 |
| GPZ 500 S | 500 | 1989 | → | 1992 (x2) | FDB314 | FDB339 |
| GPZ 500 S | 500 | 1993 | → | (x2) | FDB574 | FDB481 |
| GPZ 500 S | 500 | 1994 | → | 1997 (x2) | FDB481 | FDB314 |
| KH 500 A8 | 500 | 1976 | → | | FDB132 | FSB794 |
| KH 500 H1 -B/D/E | 500 | 1974 | → | 1975 | | FSB794 |
| KLE 500 | 500 | 1991 | → | | FDB481 | FDB314 |
| KR 500 ES | 500 | 1993 | → | | FDB497 | FDB659 |
| KX 500 | 500 | 1986 | → | | FDB314 | FDB314 |
| KX 500 | 500 | 1989 | → | 1994 | FDB497 | FDB659 |
| KX 500 | 500 | 1994 | → | 1995 | FDB892 | FDB659 |
| KX 500 A1 - A2 | 500 | 1983 | → | 1985 | FDB314 | FSB721 |
| KX 500 C1 | 500 | 1987 | → | 1988 | FDB494 | FDB314 |
| KX 500 E8/E9 | 500 | 1996 | → | | FDB892 | FDB539 |
| Z 500 A1 - A3 | 500 | 1979 | → | 1980 (x2) | FDB132 | FDB151 |
| Z 500 B1 - B3 | 500 | 1979 | → | 1980 (x2) | FDB132 | FDB151 |
| Z 500 F | 500 | 1983 | → | (x2) | FDB314 | FSB718 |
| ZR 500 A1 | 500 | 1983 | → | (x2) | FDB314 | FSB718 |
| ZZ-R 500 | 500 | 1990 | → | (x2) | FDB574 | FDB481 |
| A1 550 LTD | 550 | 1980 | → | (x2) | FDB132 | FSB719 |
| Z 550 A1 | 550 | 1980 | → | (x2) | FDB132 | FSB719 |
| Z 550 A3 - C1 - C2 LTD | 550 | 1980 | → | (x2) | FDB299 | FSB719 |
| Z 550 F | 550 | 1983 | → | 1984 (x2) | FDB314 | FSB718 |
| Z 550 G1 SHAFT | 550 | 1983 | → | (x2) | FDB314 | FSB719 |
| Z 550 GP | 550 | 1984 | → | (x2) | FDB299 | FDB298 |
| Z 550 GP D1 - H1 - H2 | 550 | 1981 | → | 1983 (x2) | FDB299 | FDB298 |

* It is recommended that in those applications where sintered pads are supplied as Original Equipment, replacement pads should also be of sintered composition.

** To avoid brake imbalance sintered pads fitted in rear calipers should only be used in combination with front calipers containing sintered pads.



CC

FROM → TO



NOTES



NOTES

...KAWASAKI

| | | | | | | |
|--|-----|-------------|------|---------|--|---------|
| Z 550 GT - SPORT | 550 | 1983 → | (x2) | FDB314 | | FSB719 |
| ZEPHYR 550 | 550 | 1991 → | (x2) | FDB481 | | FDB508 |
| ZR 550 A1 | 550 | 1983 → 1984 | (x2) | FDB314 | | FSB718 |
| ZR 550 ZEPHYR | 550 | 1990 → 1992 | (x2) | FDB481 | | FDB508 |
| ZR 550 ZEPHYR | 550 | 1993 → 1999 | (x2) | FDB481 | | FDB2012 |
| KLR 570 | 570 | 1988 → | | FDB314 | | FSB721 |
| ZX 6RR (ZX 599 B1) | 599 | 2003 → 2006 | (x2) | FDB2164 | | FDB2012 |
| ZX 6RR (ZX 599 B1) - Racing Applications | 599 | 2003 → 2006 | (x2) | FDB2203 | | FDB2012 |
| GPX 600 R (ZX) | 600 | 1988 → 1996 | (x2) | FDB481 | | FDB481 |
| GPX 600 R WARBIRD | 600 | 1988 → 1996 | (x2) | FDB481 | | FDB481 |
| GPZ 600 R | 600 | 1985 → 1989 | (x2) | FDB339 | | FDB339 |
| KLE 600 | 600 | 1992 → | | FDB481 | | FDB314 |
| KLR 600 | 600 | 1984 → 1988 | | FDB314 | | FSB721 |
| KLR 600 ELECTRIC STARTER | 600 | 1985 → | | FDB314 | | FSB721 |
| KLR 600 S | 600 | 1992 → | | FDB314 | | FSB721 |
| KLX 600 R | 600 | 1993 → | | FDB892 | | FDB659 |
| ZL 600 A1/A2 | 600 | 1985 → 1994 | | FDB339 | | FSB719 |
| ZL 600 B1 ELIMINATOR | 600 | 1995 → 1997 | | FDB481 | | FSB719 |
| ZX 6R 600 D1-D2 (DX 6) | 600 | 1990 → 1993 | (x2) | FDB574 | | FDB481 |
| ZX 6R 600 NINJA | 600 | 1994 → 1997 | (x2) | FDB574 | | FDB2012 |
| ZX 6R 600 NINJA | 600 | 1998 → 2001 | (x2) | FDB873 | | FDB2012 |
| ZX 6R 600 NINJA | 600 | 2007 → | (x2) | FDB2220 | | FDB2012 |
| ZX 6R 600 NINJA (Racing Applications) | 600 | 1998 → 2001 | (x2) | FDB2144 | | FDB2012 |
| ZZR 600 | 600 | 1990 → 1992 | (x2) | FDB574 | | FDB481 |
| ZZR 600 | 600 | 1993 → | (x2) | FDB574 | | FDB2012 |
| ZX 6R (ZX 636 K1) | 636 | 2003 → 2006 | (x2) | FDB2164 | | FDB2012 |
| ZX 6R (ZX 636 K1) - Racing Applications | 636 | 2003 → 2006 | (x2) | FDB2203 | | FDB2012 |
| ZX 6R 636 NINJA | 636 | 2013 → | (x2) | FDB2079 | | FDB2221 |
| ER-6 650 F / N (left) | 650 | 2005 → | | FDB2048 | | |
| ER-6 650 F / N (right) | 650 | 2005 → | | FDB2049 | | FDB2012 |
| KL 650 TENGAI | 650 | 1989 → 1992 | | FDB481 | | FDB314 |
| KLR 650 | 650 | 1987 → 1994 | | FDB494 | | FDB314 |
| KLR 650 | 650 | 1995 → | | FDB2048 | | FDB314 |
| KLR 650 | 650 | 2008 → 0000 | | FDB497 | | FDB631 |
| KLX 650 R | 650 | 1993 → 1997 | | FDB892 | | FDB659 |
| VERSYS 650 (left) | 650 | 2007 → 2008 | | FDB2048 | | FDB2012 |
| VERSYS 650 (right) | 650 | 2007 → 2008 | | FDB2049 | | |
| W 650 | 650 | 1999 → | | FDB2049 | | FSB718 |
| Z 650 B1 - B3 | 650 | 1979 → 1981 | | FDB132 | | FSB719 |
| Z 650 C1 - C2 - C3 | 650 | 1976 → 1977 | (x2) | FDB132 | | FDB181 |
| Z 650 D2 - D3 | 650 | 1978 → 1981 | (x2) | FDB132 | | |
| Z 650 F1 | 650 | 1979 → 1980 | (x2) | FDB132 | | FSB719 |
| Z 650 F2 - F4 | 650 | 1980 → 1983 | (x2) | FDB299 | | FSB719 |
| Z 650 SR | 650 | 1978 → 1981 | (x2) | FDB132 | | |
| 750 BELT DRIVE | 750 | 1985 → 1987 | (x2) | FDB339 | | FDB339 |
| 750 TURBO | 750 | 1985 → 1987 | (x2) | FDB339 | | FDB339 |
| 750 VULCAN | 750 | 1989 → 1993 | (x2) | FDB339 | | FSB719 |
| GPX 750 BLACKBIRD | 750 | 1988 → 1989 | (x2) | FDB481 | | FDB481 |
| GPX 750 WARBIRD | 750 | 1988 → 1989 | (x2) | FDB481 | | FDB481 |
| GPZ 750 | 750 | 1985 → 1986 | (x2) | FDB339 | | FDB339 |
| GPZ 750 R - G2-3 | 750 | 1987 → | (x2) | FDB481 | | FDB481 |
| GPZ 750 R1 | 750 | 1985 → 1987 | (x2) | FDB339 | | FDB339 |
| GT 750 | 750 | 1985 → 1996 | (x2) | FDB299 | | FDB298 |
| VN 750 | 750 | 1988 → 1989 | (x2) | FDB339 | | FDB339 |
| VN 750 TWIN | 750 | 1986 → 1987 | (x2) | FDB339 | | FSB719 |
| VN 750 VULCAN | 750 | 1990 → 1994 | (x2) | FDB339 | | FSB719 |
| Z 750 / Z 750 S | 750 | 2007 → | (x2) | FDB570 | | FDB754 |
| Z 750 / Z 750 S (left) | 750 | 2004 → 2006 | | FDB2048 | | FDB2012 |
| Z 750 / Z 750 S (right) | 750 | 2004 → 2006 | | FDB2049 | | |
| Z 750 B1 - B2 | 750 | 1977 → 1978 | | FDB132 | | FDB132 |
| Z 750 D1 | 750 | 1976 → 1978 | (x2) | FDB132 | | FDB132 |
| Z 750 E1 | 750 | 1980 → | (x2) | FDB299 | | FDB298 |
| Z 750 GP | 750 | 1983 → | (x2) | FDB339 | | FDB339 |
| Z 750 GP R1 | 750 | 1982 → | (x2) | FDB299 | | FDB298 |
| Z 750 H1 - H2 LTD | 750 | 1980 → | (x2) | FDB299 | | FDB298 |
| Z 750 L1 - L3 | 750 | 1981 → | (x2) | FDB299 | | FDB298 |
| Z 750 LTD TWIN K1 | 750 | 1983 → | (x2) | FDB298 | | FSB719 |
| Z 750 P1 | 750 | 1981 → | (x2) | FDB299 | | FDB298 |
| Z 750 P2 SHAFT | 750 | 1981 → | (x2) | FDB299 | | FDB298 |
| Z 750 P2 SHAFT GT | 750 | 1981 → | (x2) | FDB299 | | FDB298 |
| Z 750 R | 750 | 2011 → | (x2) | FDB2220 | | FDB754 |
| Z 750 SPORT | 750 | 1984 → | (x2) | FDB299 | | FDB298 |

* It is recommended that in those applications where sintered pads are supplied as Original Equipment, replacement pads should also be of sintered composition.

** To avoid brake imbalance sintered pads fitted in rear calipers should only be used in combination with front calipers containing sintered pads.



CC

FROM → TO



NOTES



NOTES

...KAWASAKI

| | | | | | | |
|---|------|-------------|------|---------|--|---------|
| Z 750 Y1 LTD | 750 | 1982 → | (x2) | FDB299 | | FSB719 |
| ZR 750 | 750 | 1991 → 1995 | (x2) | FDB481 | | FDB481 |
| ZR 750 ZEPHYR | 750 | 1991 → 1993 | (x2) | FDB481 | | FDB508 |
| ZR 750 ZEPHYR | 750 | 1996 → | | FDB2048 | | FDB481 |
| ZR-7 750 (left) | 750 | 1999 → | | FDB2048 | | FDB2049 |
| ZR-7 750 (right) | 750 | 1999 → | | FDB2049 | | |
| ZR-7S 750 (left) | 750 | 2001 → | | FDB2048 | | FDB2049 |
| ZR-7S 750 (right) | 750 | 2001 → | | FDB2049 | | |
| ZX 750 A1 | 750 | 1983 → 1985 | (x2) | FDB339 | | FDB339 |
| ZX 750 E1 TURBO | 750 | 1983 → 1985 | (x2) | FDB339 | | FDB339 |
| ZX 750 F2 NINJA | 750 | 1988 → | (x2) | FDB481 | | FDB481 |
| ZX-7 750 R NINJA | 750 | 1989 → 1995 | (x2) | FDB574 | | FDB314 |
| ZX-7 750 R NINJA | 750 | 1996 → 1999 | (x2) | FDB873 | | FDB314 |
| ZX-7 750 R NINJA (Racing Applications) | 750 | 1996 → 1999 | (x2) | FDB2144 | | FDB314 |
| ZX-7 750 RR NINJA N1 | 750 | 1996 → 1999 | (x2) | FDB2036 | | FDB2111 |
| ZXR 750 | 750 | 1989 → 1990 | (x2) | FDB574 | | FDB338 |
| ZXR 750 R | 750 | 1993 → 1995 | (x2) | FDB574 | | FDB338 |
| ZXR 750 R STINGER / NINJA | 750 | 1991 → 1992 | (x2) | FDB574 | | FDB496 |
| VN 800 | 800 | 1995 → 1998 | | FDB339 | | FSB719 |
| VN 800 CLASSIC | 800 | 1996 → | | FDB2048 | | FSB719 |
| VN 800 DRIFTER | 800 | 1999 → 2003 | | FDB2048 | | FDB2049 |
| VT 800 C | 800 | 1988 → 1990 | | FDB244 | | FSB761 |
| W800 SE | 800 | 2012 → | | FDB2049 | | |
| Z800 (ADS) | 800 | 2013 → | (x2) | FDB2158 | | FDB2258 |
| Z800 ABS (BDS) | 800 | 2013 → | (x2) | FDB2158 | | FDB2258 |
| Z800 E (CDS) | 800 | 2013 → | (x2) | FDB570 | | FDB2258 |
| Z800 E ABS (DDS) | 800 | 2013 → | (x2) | FDB2158 | | FDB2258 |
| VN 850 | 850 | 1995 → 1999 | | FDB339 | | FSB719 |
| GPZ 900 | 900 | 1985 → 1986 | (x2) | FDB339 | | FDB339 |
| GPZ 900 R | 900 | 1990 → 1996 | (x2) | FDB574 | | FDB481 |
| GPZ 900 R NINJA | 900 | 1984 → 1989 | (x2) | FDB339 | | FDB339 |
| KZ 900 B1 | 900 | 1976 → 1977 | (x2) | FDB132 | | FDB181 |
| VN 900 CLASSIC / CUSTOM /LIGHT TOURER | 900 | 2006 → | | FDB2048 | | FDB2049 |
| X-9 R 900 NINJA | 900 | 1994 → 1995 | (x2) | FDB574 | | FDB2012 |
| Z 900 A 4 | 900 | 1977 → 1978 | (x2) | FDB132 | | FSB795 |
| ZX-9R 900 R NINJA (B1 - B2) | 900 | 1994 → 1995 | (x2) | FDB574 | | FDB2012 |
| ZX-9R 900 R NINJA (B1 - B2) | 900 | 1996 → 1997 | (x2) | FDB873 | | FDB2012 |
| ZX-9R 900 R NINJA (B1 - B2) | 900 | 1998 → 1999 | (x2) | FDB873 | | FDB2012 |
| ZX-9R 900 R NINJA (B3 - B4) (C1 - C2) (E1 - E2) | 900 | 2000 → 2001 | (x2) | FDB873 | | FDB2012 |
| ZX-9R 900 R NINJA (Racing Applications) | 900 | 1996 → 1997 | (x2) | FDB2144 | | FDB2012 |
| ZX-9R 900 R NINJA (Racing Applications) | 900 | 1998 → 1999 | (x2) | FDB2144 | | FDB2012 |
| ZX-9R 900 R NINJA (Racing Applications) | 900 | 2000 → 2001 | (x2) | FDB2144 | | FDB2012 |
| ZX-9R 900 R NINJA F1-F2 | 900 | 2002 → 2004 | (x2) | FDB2158 | | FDB2012 |
| GPX 1000 R | 1000 | 1988 → 1990 | (x2) | FDB481 | | FDB481 |
| GPZ 1000 RX - RY | 1000 | 1986 → | (x2) | FDB339 | | FDB339 |
| GTR 1000 | 1000 | 1986 → 1993 | (x2) | FDB339 | | FDB339 |
| KZ 1000 all models | 1000 | 1982 → 1990 | (x2) | FDB298 | | FDB298 |
| KZ 1000 B1/B2 "LTD" | 1000 | 1977 → 1978 | (x2) | FDB132 | | FDB181 |
| VERSYS 1000 | 1000 | 2012 → | (x2) | FDB574 | | |
| VN 1000 VULCAN | 1000 | 1987 → | (x2) | FDB339 | | FDB339 |
| Z 1000 | 1000 | 2007 → 2009 | (x2) | FDB2220 | | FDB754 |
| Z 1000 (ZR 1000 A1) | 1000 | 2003 → 2006 | (x2) | FDB2158 | | FDB2012 |
| Z 1000 / ABS / SX | 1000 | 2010 → | (x2) | FDB2178 | | FDB2012 |
| Z 1000 / SE | 1000 | 2012 → | (x2) | FDB2220 | | FDB2012 |
| Z 1000 A1 - A4 - H1 - H2 | 1000 | 1974 → 1978 | (x2) | FDB132 | | FDB151 |
| Z 1000 E1 - E2 - SHAFT - ST | 1000 | 1979 → 1981 | (x2) | FDB220 | | FDB151 |
| Z 1000 GTR | 1000 | 1994 → 2003 | (x2) | FDB481 | | FDB339 |
| Z 1000 GTR (ZG 1000) | 1000 | 1986 → 1993 | (x2) | FDB339 | | FDB339 |
| Z 1000 LTD | 1000 | 1981 → | (x2) | FDB299 | | FDB298 |
| Z 1000 SX | 1000 | 2012 → | (x2) | FDB2220 | | FDB2012 |
| Z1000 | 1000 | 2014 → | (x2) | FDB2178 | | FDB2012 |
| ZL 1000 all models | 1000 | 1987 → | (x2) | FDB339 | | FDB339 |
| ZX 1000 ELIMINATOR | 1000 | 1988 → 1990 | (x2) | FDB481 | | FDB481 |
| ZX 1000 RX NINJA - TOMCAT | 1000 | 1988 → 1990 | (x2) | FDB481 | | FDB481 |
| ZX-10R 1000 | 1000 | 2004 → 2007 | (x2) | FDB2164 | | FDB2012 |
| ZX-10R 1000 | 1000 | 2008 → 2010 | (x2) | FDB2178 | | FDB2012 |
| ZX-10R 1000 | 1000 | 2011 → | (x2) | FDB2178 | | FDB2221 |
| ZX-10R 1000 - Racing Applications | 1000 | 2004 → | (x2) | FDB2203 | | FDB2012 |
| ZX10 1000 TOMCAT B1-3 | 1000 | 1988 → 1990 | (x2) | FDB481 | | FDB481 |
| ZZR 1000 | 1000 | 1991 → | (x2) | FDB574 | | FDB481 |
| GPZ 1100 (left) | 1100 | 1995 → 1997 | (x2) | FDB2048 | | FDB2012 |
| GPZ 1100 (right) | 1100 | 1995 → 1997 | (x2) | FDB2049 | | |

* It is recommended that in those applications where sintered pads are supplied as Original Equipment, replacement pads should also be of sintered composition.

** To avoid brake imbalance sintered pads fitted in rear calipers should only be used in combination with front calipers containing sintered pads.



CC FROM → TO



NOTES



NOTES

...KAWASAKI

| | | | | | | | |
|------------------------------------|------|------|---|------|------|---------|---------|
| GPZ 1100 (ZX 1100 A1) | 1100 | 1983 | → | 1985 | (x2) | FDB339 | FDB339 |
| GPZ 1100 (ZX 1100 B1-B2) | 1100 | 1982 | → | 1983 | (x2) | FDB298 | FDB298 |
| VN 1100 | 1100 | 1987 | → | | (x2) | FDB339 | FDB339 |
| Z 1100 A1/3 - B1/2 - F1 | 1100 | 1981 | → | 1983 | (x2) | FDB299 | FDB298 |
| Z 1100 GP | 1100 | 1981 | → | 1983 | (x2) | FDB299 | FDB298 |
| Z 1100 R1 | 1100 | 1984 | → | | (x2) | FDB339 | FDB339 |
| Z 1100 SPECTRE - LTD | 1100 | 1981 | → | 1983 | (x2) | FDB299 | FDB299 |
| Z 1100 ST | 1100 | 1981 | → | 1983 | (x2) | FDB299 | FDB298 |
| ZR 1100 C1 | 1100 | 1997 | → | 2000 | (x2) | FDB873 | FDB338 |
| ZR 1100 ZEPHIR | 1100 | 1997 | → | 2000 | (x2) | FDB2048 | FDB481 |
| ZR 1100 ZEPHYR (left) | 1100 | 1996 | → | 1997 | | FDB2048 | FDB481 |
| ZR 1100 ZEPHYR (right) | 1100 | 1996 | → | 1997 | | FDB2049 | |
| ZR 1100 ZEPHYR (ZR 1100 A) | 1100 | 1992 | → | 1996 | (x2) | FDB574 | FDB481 |
| ZRX 1100 | 1100 | 1996 | → | 2000 | (x2) | FDB2036 | FDB338 |
| ZX 1100 | 1100 | 1993 | → | | (x2) | FDB574 | FDB481 |
| ZX 1100 A1 | 1100 | 1983 | → | 1984 | (x2) | FDB339 | FDB339 |
| ZZR 1100 GT (ZX 1100 C) | 1100 | 1990 | → | 1992 | (x2) | FDB574 | FDB481 |
| ZZR 1100 GT (ZX 1100 D) | 1100 | 1993 | → | 2001 | (x2) | FDB574 | FDB338 |
| KZ 1200 | 1200 | 1987 | → | | (x2) | FDB339 | FDB339 |
| ZG 1200 | 1200 | 1986 | → | 1990 | (x2) | FDB339 | FDB339 |
| ZG 1200 VOYAGER | 1200 | 1986 | → | | (x2) | FDB339 | FDB339 |
| ZRX 1200 R - S | 1200 | 2000 | → | | (x2) | FDB481 | FDB338 |
| ZRX 1200 R - S | 1200 | 2001 | → | | (x2) | FDB873 | FDB338 |
| ZX 12 1200 R | 1200 | 2000 | → | 2003 | (x2) | FDB873 | FDB338 |
| ZX 12 1200 R (Racing Applications) | 1200 | 2000 | → | 2003 | (x2) | FDB2144 | FDB338 |
| ZX-12R 1200 | 1200 | 2004 | → | | (x2) | FDB2164 | FDB338 |
| ZX-12R 1200 - Racing Applications | 1200 | 2004 | → | | (x2) | FDB2203 | FDB338 |
| ZZR 1200 | 1200 | 2002 | → | | (x2) | FDB574 | FDB338 |
| KR 1250 | 1250 | 1989 | → | | (x2) | FDB508 | FDB508 |
| Z 1300 | 1300 | 1979 | → | 1983 | (x2) | FDB220 | FDB151 |
| ZG 1300 DF1 | 1300 | 1984 | → | 1986 | (x2) | FDB220 | FDB151 |
| 1400 GTR | 1400 | 2007 | → | 2011 | (x2) | FDB2220 | FDB2111 |
| 1400 GTR | 1400 | 2012 | → | | (x2) | FDB2220 | FDB2012 |
| ZZR 1400 | 1400 | 2006 | → | | (x2) | FDB2220 | FDB2111 |
| MEAN STREAK 1500 | 1500 | 2002 | → | 2003 | (x2) | FDB873 | FDB2049 |
| VN 1500 all models | 1500 | 1987 | → | 1993 | | FDB339 | FDB339 |
| VN 1500 CLASSIC FI | 1500 | 1999 | → | | | FDB2048 | FDB2049 |
| VN 1500 CLASSIC TOURER (left) | 1500 | 1999 | → | | | FDB2048 | FDB339 |
| VN 1500 CLASSIC TOURER (right) | 1500 | 1999 | → | | | FDB2049 | |
| VN 1500 D1/D2 CLASSIC | 1500 | 1996 | → | 1998 | | FDB2048 | FDB339 |
| VN 1500 DRIFTER | 1500 | 1999 | → | 2003 | | FDB2048 | FDB2049 |
| VN 1600 CLASSIC (left) | 1600 | 2003 | → | | | FDB2048 | FDB2049 |
| VN 1600 CLASSIC (right) | 1600 | 2003 | → | | | FDB2049 | |
| VN 1600 CLASSIC TOURER (left) | 1600 | 2005 | → | | | FDB2048 | FDB2049 |
| VN 1600 CLASSIC TOURER (right) | 1600 | 2005 | → | | | FDB2049 | |
| VN 1600 MEAN STREAK | 1600 | 2004 | → | | (x2) | FDB873 | FDB2049 |
| VN 1700 Classic Tourer / Classic | 1700 | 2009 | → | 2009 | | FDB2048 | |
| VN 1700 Classic Tourer / Classic | 1700 | 2009 | → | 2009 | | FDB2049 | FDB2049 |
| VN 1700 Classic Tourer / Custom | 1700 | 2010 | → | | (x2) | FDB574 | FDB2049 |
| VN 1700 Voyager / Voyager Custom | 1700 | 2009 | → | | (x2) | FDB574 | FDB2049 |
| VN 2000 VULCAN / CLASSIC | 2000 | 2004 | → | | (x2) | FDB574 | FDB2049 |

KEEWAY

| | | | | | | | |
|--------------------|-----|------|---|------|--|---------|---------|
| TX50 | 50 | 2010 | → | 2012 | | FDB2106 | FDB624 |
| X-Ray 50 Supermoto | 50 | 2007 | → | 2009 | | FDB2106 | FDB624 |
| RKV 125 | 125 | 2010 | → | 2012 | | FDB2042 | FDB2090 |
| Speed 125/150 | 125 | 2007 | → | 2012 | | | FDB384 |
| Superlight 125 | 125 | 2007 | → | 2012 | | FDB497 | |
| TX125 | 125 | 2010 | → | 2012 | | FDB2106 | FDB624 |
| Superlight 150 | 150 | 2007 | → | 2012 | | FDB497 | |
| Cruiser 250 | 250 | 2009 | → | 2010 | | FDB497 | |

KOTIR

| | | | | | | | |
|-------|----|------|---|--|--|--------|--------|
| RS 50 | 50 | 1990 | → | | | FSB731 | FSB731 |
|-------|----|------|---|--|--|--------|--------|

* It is recommended that in those applications where sintered pads are supplied as Original Equipment, replacement pads should also be of sintered composition.

** To avoid brake imbalance sintered pads fitted in rear calipers should only be used in combination with front calipers containing sintered pads.



CC FROM -> TO



NOTES



NOTES

KRAM IT

| | | | | | |
|-------------|-----|------|---|--------|--------|
| ER 125 RV 3 | 125 | 1988 | → | FDB499 | FDB731 |
| ER 250 RV 3 | 250 | | → | FDB499 | FDB731 |
| ER 300 RV 3 | 300 | 1988 | → | FDB499 | FDB731 |

KRAMER

| | | | | | |
|-----|-----|--|---|--------|--------|
| 80 | 80 | | → | FSB834 | FSB834 |
| 250 | 250 | | → | | FSB901 |

KREIDLER

| | | | | | |
|-------------|-----|------|---|--------|--|
| MUSTANG 125 | 125 | 1983 | → | FDB205 | |
|-------------|-----|------|---|--------|--|

KSR MOTO BY GENERIC

| | | | | | |
|-------------------------|-----|------|--------|---------|---------|
| Code S 125/150/200 (4T) | 125 | 2012 | → | FDB2042 | FDB2090 |
| Code X 125/150/200 (4T) | 125 | 2012 | → | FDB2042 | FDB2090 |
| Trigger 125 SM | 125 | 2008 | → 2009 | FDB2106 | FDB624 |
| Trigger 125 X | 125 | 2008 | → 2009 | FDB2106 | FDB624 |
| Work 125/150 (4T) | 125 | 2012 | → | FDB2087 | |

KTM

| | | | | | |
|--------------------------------|-----|------|--------|---------|---------|
| Freeride Electric | | 2012 | → | FDB2262 | FDB2257 |
| 50 SX ADVENTURE SENIOR | 50 | 2004 | → | FDB2183 | FSB712 |
| 50 SX PRO SENIOR LC | 50 | 2004 | → | FDB2183 | FDB2183 |
| CHRONO 50 SCOOTER | 50 | 1994 | → | FDB498 | FSB788 |
| COMET 50 PL-RL-RLW-RS4L-TS | 50 | | → | FDB207 | |
| GO 50 SCOOTER | 50 | 1994 | → | FDB697 | FSB788 |
| HOBBY-DUO-PRO 50 COMET 40PI-KJ | 50 | | → | FSB814 | FSB814 |
| KROSS 50 | 50 | 1996 | → | FDB680 | |
| MX 50 | 50 | 1987 | → | FDB207 | |
| RSV 50 | 50 | 1986 | → | FDB207 | |
| SX 50 ADVENTURE | 50 | 1998 | → 2003 | FSB712 | FSB712 |
| SX 50 PRO JUNIOR / SENIOR | 50 | 1998 | → 2001 | FSB712 | FSB712 |
| SX 50 PRO JUNIOR / SENIOR LC | 50 | 2002 | → 2003 | FDB2183 | FSB712 |
| SX 50 PRO JUNIOR / SENIOR LC | 50 | 2002 | → 2003 | FDB2183 | FSB712 |
| SX 60 | 60 | 1998 | → 1999 | FRP405 | |
| SX 60 / 65 | 60 | 2000 | → 2001 | FRP405 | FDB694 |
| SX 65 | 65 | 2002 | → 2003 | FDB2157 | FDB694 |
| SX 65 | 65 | 2004 | → 2009 | FDB2157 | FDB2183 |
| SX 65 | 65 | 2010 | → | FDB2157 | FDB2157 |
| L-PL-RL-RS-RSL-BORA 80 | 80 | | → | FDB207 | FDB207 |
| MX 80 GR - SUPER MINI | 80 | 1986 | → | FDB207 | FSB816 |
| SX 85 | 85 | 2003 | → 2010 | FDB2157 | FDB2157 |
| SX 85 (16"/19") | 85 | 2012 | → | FDB2262 | FDB2257 |
| SX 85 (17"/14") | 85 | 2011 | → | FDB2157 | FDB2257 |
| 125 | 125 | 1989 | → 1990 | FDB314 | FDB314 |
| 125 | 125 | 2000 | → | FSB814 | FSB814 |
| 125 all models | 125 | 1992 | → 1993 | FDB2018 | FDB2018 |
| 125 DUKE | 125 | 2010 | → | FDB2266 | FDB2005 |
| 125 DUKE (ABS Std) | 125 | 2013 | → | FDB2266 | FDB2005 |
| 125 EXC | 125 | 1998 | → 2003 | FDB2018 | FDB2005 |
| 125 EXC | 125 | 2004 | → | FDB2018 | FDB2165 |
| 125 EXC Six Days | 125 | 2011 | → | FDB2018 | FDB2165 |
| 125 SX | 125 | 2004 | → | FDB2018 | FDB2165 |
| BAJA 125 | 125 | 1986 | → | FDB207 | FSB816 |
| CROSS 125 | 125 | 1980 | → 1983 | FSB814 | FSB814 |
| EXE 125 | 125 | 2000 | → 2003 | FDB2018 | FDB2005 |
| GS 125 ENDURO SPORT | 125 | 1984 | → 1985 | FSB816 | FSB816 |
| GS 125 XC ENDURO SPORT | 125 | 1986 | → 2000 | FDB207 | FDB207 |
| GS 125 XC ENDURO SPORT | 125 | 1986 | → 1987 | FDB498 | FDB498 |
| LC - GS 125 GS | 125 | 1983 | → | FSB816 | FSB814 |
| LC2 125 | 125 | 1998 | → | FDB2018 | FDB2005 |
| LC2 STING 125 | 125 | 1998 | → | FRP408 | FDB2005 |
| MX 125 CROSS | 125 | 1984 | → | FSB816 | FSB816 |
| MX 125 CROSS | 125 | 1985 | → | FDB207 | FSB816 |
| MX 125 CROSS | 125 | 1986 | → | FDB207 | FDB207 |
| MX 125 VC CROSS | 125 | 1986 | → 1987 | FDB498 | FDB498 |

* It is recommended that in those applications where sintered pads are supplied as Original Equipment, replacement pads should also be of sintered composition.

** To avoid brake imbalance sintered pads fitted in rear calipers should only be used in combination with front calipers containing sintered pads.



CC FROM → TO



NOTES



NOTES

...KTM

| | | | | | |
|---------------------------|-----|------|--------|---------|---------|
| RC 125 (ABS Std) | 125 | 2014 | → | FDB2266 | FDB2005 |
| SX 125 | 125 | 1996 | → 2002 | FDB2018 | FDB2005 |
| SX 125 | 125 | 2003 | → | FDB2018 | FDB2165 |
| 150 SX | 150 | 2008 | → | FDB2018 | FDB2165 |
| 175 | 175 | 1972 | → 1978 | FSB814 | FSB814 |
| 175 | 175 | 1979 | → | FSB814 | FSB815 |
| 200 DUKE (ABS Std) | 200 | 2013 | → | FDB2266 | FDB2005 |
| 200 EXC | 200 | 1998 | → | FDB2018 | FDB2005 |
| EGS 200 | 200 | 1998 | → | FDB2018 | FDB2005 |
| RC 200 (ABS Std) | 200 | 2014 | → | FDB2266 | FDB2005 |
| SX 200 | 200 | 2003 | → | FDB2018 | FDB2165 |
| 250 | 250 | 1989 | → 1990 | FDB314 | FDB314 |
| 250 all models | 250 | 1992 | → 1993 | FDB2018 | FDB2018 |
| 250 all models | 250 | 1994 | → 1995 | FDB2018 | FDB2005 |
| 250 EXC | 250 | 1998 | → 2006 | FDB2018 | FDB2005 |
| 250 EXC Six Days | 250 | 2011 | → | FDB2018 | FDB2005 |
| 250 EXC-F | 250 | 2007 | → | FDB2018 | FDB2165 |
| 250 EXC-F Six Days | 250 | 2011 | → | FDB2018 | FDB2165 |
| 250 SX | 250 | 1996 | → 2002 | FDB2018 | FDB2005 |
| 250 SX-F | 250 | 2003 | → | FDB2018 | FDB2165 |
| BAJA 250 | 250 | 1986 | → | FDB207 | FSB816 |
| CROSS 250 | 250 | 1982 | → | FSB815 | FSB815 |
| CROSS 250 | 250 | 1983 | → | FSB817 | FSB815 |
| CROSS 250 | 250 | 2000 | → | FSB814 | FSB814 |
| Freeride 250 R | 250 | 2014 | → | FDB2262 | FDB2257 |
| GS 250 ENDURO SPORT | 250 | 1983 | → 1985 | FSB816 | FSB816 |
| GS 250 XC ENDURO SPORT | 250 | 1986 | → 2000 | FDB207 | FDB207 |
| GS 250 XC ENDURO SPORT | 250 | 1986 | → 1987 | FDB498 | FDB498 |
| MX 250 | 250 | 2003 | → | FDB2018 | FDB2165 |
| MX 250 CROSS | 250 | 1984 | → | FSB816 | FSB816 |
| MX 250 CROSS | 250 | 1985 | → | FDB207 | FSB816 |
| MX 250 CROSS - DIG.CONTR. | 250 | 1986 | → | FDB207 | FDB207 |
| MX 250 VC CROSS | 250 | 1986 | → 1987 | FDB498 | FDB498 |
| Superenduro 250 - S | 250 | 2008 | → | FDB2018 | FDB2018 |
| 300 all models | 300 | 1994 | → 1995 | FDB2018 | FDB2005 |
| 300 EXC | 300 | 1998 | → 2006 | FDB2018 | FDB2005 |
| 300 EXC | 300 | 2007 | → | FDB2018 | FDB2165 |
| 300 EXC Six Days | 300 | 2011 | → | FDB2018 | FDB2165 |
| GS 300 XC ENDURO SPORT | 300 | 1985 | → | FSB816 | FSB816 |
| GS 300 XC ENDURO SPORT | 300 | 1986 | → 2000 | FDB207 | FDB207 |
| GS 300 XC ENDURO SPORT | 300 | 1986 | → 1987 | FDB498 | FDB498 |
| MX 300 | 300 | 2004 | → | FDB2018 | FDB2165 |
| 350 | 350 | 1989 | → 1990 | FDB314 | FDB314 |
| 350 EXC-F | 350 | 2012 | → | FDB2018 | FDB2165 |
| 350 EXC-F Six Days | 350 | 2012 | → | FDB2018 | FDB2165 |
| 350 SX-F | 350 | 2011 | → | FDB2018 | FDB2165 |
| 350 XC-F | 350 | 2011 | → | FDB2018 | FDB2165 |
| 350 XCF W | 350 | 2011 | → | FDB2018 | FDB2165 |
| COUNTRY 350 CROSS E | 350 | 1985 | → | FDB207 | FSB816 |
| Freeride 350 | 350 | 2012 | → | FDB2262 | FDB2257 |
| GS 350 4 STROKE | 350 | 1993 | → | FDB2018 | FDB314 |
| GS 350 ENDURO SPORT | 350 | 1983 | → | FDB207 | FSB815 |
| SX 380 | 380 | 1998 | → | FDB2018 | FDB2005 |
| 390 DUKE (ABS Std) | 390 | 2013 | → | FDB2266 | FDB2005 |
| GS 390 ENDURO SPORT | 390 | 1983 | → | FDB207 | FSB815 |
| RC 390 (ABS Std) | 390 | 2014 | → | FDB2266 | FDB2005 |
| EXC 400 | 400 | 2006 | → | FDB2018 | FDB2165 |
| LC4 400 E | 400 | 1998 | → | FDB2018 | FDB2005 |
| SX 400 | 400 | 2000 | → | FDB2018 | FDB2005 |
| SXC 400 | 400 | 1998 | → | FDB2018 | FDB2005 |
| THE DUKE 400 | 400 | 1994 | → 1998 | FRP408 | FDB314 |
| GS 420 ENDURO SPORT | 420 | 1984 | → | FSB816 | FSB816 |
| 450 EXC | 450 | 2004 | → | FDB2018 | FDB2165 |
| 450 EXC Six Days | 450 | 2011 | → | FDB2018 | FDB2165 |
| 450 SMR | 450 | 2007 | → | FDB2244 | FDB2165 |
| 450 SX-F | 450 | 2007 | → | FDB2018 | FDB2165 |
| MX 450 | 450 | 2003 | → | FDB2018 | FDB2165 |
| SX 450 /F | 450 | 2003 | → | FDB2018 | FDB2165 |
| SX 450 SMR | 450 | 2005 | → 2006 | FDB2245 | FDB2003 |
| MX 495 CROSS | 495 | 1984 | → | FSB816 | FSB816 |
| MX 495 MC LELEU | 495 | 1982 | → 1983 | FDB207 | FSB815 |
| 500 | 500 | 1989 | → 1990 | FDB314 | FDB314 |

* It is recommended that in those applications where sintered pads are supplied as Original Equipment, replacement pads should also be of sintered composition.

** To avoid brake imbalance sintered pads fitted in rear calipers should only be used in combination with front calipers containing sintered pads.



CC

FROM → TO



NOTES



NOTES

...KTM

| | | | | |
|---|------|------------------|---------|---------|
| 500 all models | 500 | 1993 → 1993 | FDB2018 | FDB2018 |
| 500 all models | 500 | 1994 → 1995 | FDB2018 | FDB2005 |
| 500 CROSS | 500 | 2000 → | FSB817 | FSB815 |
| 500 EXC | 500 | 1998 → 2011 | FDB2018 | FDB2005 |
| 500 EXC | 500 | 2012 → | FDB2018 | FDB2165 |
| 500 EXC Six Days | 500 | 2012 → | FDB2018 | FDB2165 |
| 500 XC-W | 500 | 2012 → | FDB2018 | FDB2165 |
| GS 500 K4 ENDURO | 500 | 1983 → | FDB207 | FSB815 |
| MX 500 CROSS | 500 | 1983 → 1984 | FSB816 | FSB816 |
| MX 500 CROSS | 500 | 1985 → | FDB207 | FSB816 |
| MX 500 CROSS | 500 | 1986 → 2000 | FDB207 | FDB207 |
| MX 500 CROSS | 500 | 1986 → 1987 | FDB498 | FDB498 |
| SX / MX 525 | 525 | 2003 → | FDB2018 | FDB2165 |
| SX 525 SMR | 525 | 2005 → | FDB2245 | FDB2003 |
| SXC 540 | 540 | 1998 → | FDB2018 | FDB2005 |
| GXE 550 | 550 | 1986 → 2000 | FDB207 | FDB207 |
| GXE 550 | 550 | 1986 → 1987 | FDB498 | FDB498 |
| MX 550 LC4 | 550 | 1987 → | FDB498 | FDB498 |
| 560 SMR | 560 | 2007 → | FDB2244 | FDB2165 |
| ENDURO 600 all models | 600 | 1986 → 2000 | FDB207 | FDB207 |
| ENDURO 600 all models | 600 | 1986 → 1987 | FDB498 | FDB498 |
| GS 600 ENDURO SPORT | 600 | 1984 → | FSB816 | FSB816 |
| GS 600 ENDURO SPORT | 600 | 1985 → | FDB207 | FSB816 |
| MX 600 | 600 | 1992 → | FDB2018 | FDB314 |
| SC 600 | 600 | 1998 → | FDB2018 | FDB2005 |
| XC-XCE 600 CROSS COUNTRY-BAJA | 600 | 1985 → | FDB207 | FSB816 |
| ADVENTURE 620 / 625 / 640 R | 620 | 1998 → | FDB2018 | FDB2005 |
| LC4 620 COMPETITION | 620 | 1998 → | FDB2018 | FDB2005 |
| THE DUKE 620 | 620 | 1994 → 1998 | FRP408 | FDB2005 |
| 625 SMC LC4 | 625 | 2005 → | FDB2042 | FDB2005 |
| DUKE 2 640 | 640 | 1998 → 1999 | FDB2018 | FDB2005 |
| LC4 640 DUKE II | 640 | 2000 → | FDB2042 | FDB2005 |
| LC4 640 E | 640 | 1998 → | FDB2018 | FDB2005 |
| LC4 640 SUPERMOTO | 640 | 1998 → | FDB2018 | FDB2005 |
| SXC 650 | 650 | 2004 → | FDB2018 | FDB2005 |
| 660 SMC | 660 | 2004 → | FDB2042 | FDB2005 |
| LC4 660 SUPERMOTO | 660 | 2003 → | FDB2042 | FDB2005 |
| 690 DUKE (ABS Std) | 690 | 2012 → (x2) | FDB2042 | FDB2005 |
| 690 DUKE R | 690 | 2010 → 2012 (x2) | FDB2120 | FDB2005 |
| 690 DUKE R (ABS Std) (Racing version pad) | 690 | 2013 → | FDB2218 | FDB2005 |
| 690 DUKE R (ABS Std) (Road version pad) | 690 | 2014 → | FDB2260 | FDB2005 |
| 690 Enduro R (ABS Std) | 690 | 2008 → | FDB2006 | FDB2005 |
| 690 SM | 690 | 2007 → | FDB2042 | FDB2005 |
| 690 SMC R (ABS Std) | 690 | 2013 → | FDB2120 | FDB2005 |
| 690 SMR / SMC / DUKE / SupermotoR | 690 | 2008 → (x2) | FDB2120 | FDB2005 |
| LC4 690 SUPERMOTO Prestige | 690 | 2007 → | FDB2120 | FDB2005 |
| 950 R SUPERENDURO | 950 | 2006 → 2008 | FDB2006 | FDB2018 |
| ADVENTURE 950 | 950 | 2003 → (x2) | FDB2006 | FDB2018 |
| DUKE 950 / 990 / 990 RC8 | 950 | 2003 → (x2) | FDB2120 | FDB2005 |
| SUPERMOTO 950 | 950 | 2005 → (x2) | FDB2120 | FDB2018 |
| 990 ADVENTURE ABS | 990 | 2008 → (x2) | FDB2006 | FDB2018 |
| 990 ADVENTURE R | 990 | 2008 → (x2) | FDB2006 | FDB2018 |
| 990 SMR | 990 | 2008 → 2009 (x2) | FDB2120 | FDB2018 |
| 990 SMR (Racing version pad) | 990 | 2010 → (x2) | FDB2218 | FDB2018 |
| 990 SMR (Road version pad) | 990 | 2010 → (x2) | FDB2260 | FDB2018 |
| 990 SMT | 990 | 2009 → (x2) | FDB2120 | FDB2018 |
| 990 SUPERDUKE | 990 | 2005 → 2011 (x2) | FDB2120 | FDB2005 |
| 990 SUPERDUKE R | 990 | 2007 → (x2) | FDB2120 | FDB2005 |
| 1190 ADVENTURE (ABS Std) | 1190 | 2013 → (x2) | FDB2042 | FDB2018 |
| 1190 ADVENTURE R (ABS Std) | 1190 | 2013 → (x2) | FDB2042 | FDB2018 |
| 1190 RC8 (Racing version pad) | 1190 | 2008 → 2011 (x2) | FDB2218 | FDB2074 |
| 1190 RC8 (Road version pad) | 1190 | 2008 → 2011 (x2) | FDB2260 | FDB2074 |
| 1190 RC8 R (ABS Std) (Racing version pad) | 1190 | 2009 → (x2) | FDB2218 | FDB2074 |
| 1190 RC8 R (ABS Std) (Road version pad) | 1190 | 2009 → (x2) | FDB2260 | FDB2074 |
| SUPERDUKE R 1290 (ABS Std) (Racing version pad) | 1301 | 2014 → (x2) | FDB2218 | FDB2074 |
| SUPERDUKE R 1290 (ABS Std) (Road version pad) | 1301 | 2014 → (x2) | FDB2260 | FDB2074 |
| SUPERDUKE R 1290 PROTO (Racing version pad) | 1301 | 2013 → (x2) | FDB2218 | FDB2074 |

* It is recommended that in those applications where sintered pads are supplied as Original Equipment, replacement pads should also be of sintered composition.

** To avoid brake imbalance sintered pads fitted in rear calipers should only be used in combination with front calipers containing sintered pads.



CC FROM → TO



NOTES



NOTES

KYMCO

| | | | | | | |
|---------------------------------|-----|------|---|------|---------|---------|
| ACTIVE 50 | 50 | 2005 | → | 2006 | FDB2087 | FSB704 |
| ACTIVE 50 SR | 50 | 2008 | → | | FDB312 | FSB704 |
| AGILITY 50 | 50 | 2004 | → | 2008 | FDB497 | FSB704 |
| AGILITY 50 - R10 / R12 | 50 | 2006 | → | 2008 | FDB497 | FSB704 |
| AGILITY 50 Basic | 50 | 2007 | → | | FSB704 | FSB704 |
| AGILITY Carry 50 | 50 | 2010 | → | | FDB2096 | |
| AGILITY CITY 50 - 16" (4T/2T) | 50 | 2008 | → | | FDB2096 | FSB704 |
| AGILITY RS Naked 50 2T | 50 | 2010 | → | | FDB497 | FSB704 |
| BET & WIN 50 | 50 | 2002 | → | 2006 | FDB2087 | FSB704 |
| COBRA 50 / RACER & CROSS | 50 | 1999 | → | 2006 | FDB672 | FSB704 |
| CURIO 50 | 50 | 1994 | → | | FDB672 | FSB704 |
| CX 50 | 50 | 1993 | → | | FSB704 | FSB714 |
| CX 50 SUPER | 50 | 1994 | → | 1997 | FDB672 | FSB714 |
| DINK / GRAND DINK 50 / New Dink | 50 | 1997 | → | | FDB2087 | FSB704 |
| DINK 50 | 50 | 2010 | → | | FDB2087 | |
| DJ 50S | 50 | 2010 | → | | FDB2096 | |
| DJW 50 | 50 | 1994 | → | | FSB704 | FSB714 |
| DJX 50 | 50 | 1991 | → | 1992 | FSB704 | FSB714 |
| DJY 50 / DJY 50 REFINED | 50 | 1993 | → | | FSB704 | FSB714 |
| FILLY 50 | 50 | 1998 | → | 2000 | FSB704 | FSB704 |
| FILLY LX 50 | 50 | 2000 | → | | FDB497 | FSB704 |
| HEROISM 50 | 50 | 1995 | → | 1997 | FDB2191 | FSB704 |
| JETIX 50 | 50 | 2008 | → | | FDB312 | FDB2087 |
| K 12 50 | 50 | 1995 | → | | FDB672 | FSB704 |
| KB 50 | 50 | 1994 | → | 2000 | FDB672 | FSB704 |
| LIKE 50 2T/4T | 50 | 2008 | → | | FDB2087 | FSB704 |
| MANBOY 50 | 50 | 1995 | → | | FDB2192 | FSB704 |
| NEXXON 50 | 50 | 2008 | → | | FDB312 | FDB312 |
| PEOPLE / PEOPLE S 50 4T | 50 | 1999 | → | | FDB2096 | FSB958 |
| SCOUT 50 | 50 | 1998 | → | | FDB672 | FSB704 |
| SENTO 50 | 50 | 2008 | → | | FDB2087 | FSB704 |
| SNIPER 50 DD | 50 | 1994 | → | 1996 | FDB672 | FDB2101 |
| SPACER 50 | 50 | 1999 | → | | FDB2087 | FSB704 |
| SUPER 8 50 2T | 50 | 2007 | → | | FDB2096 | FSB958 |
| SUPER 9 50 | 50 | 1999 | → | 2000 | FDB539 | |
| SUPER 9 50 LC / SUPER 9 S | 50 | 2000 | → | | FDB2087 | FDB2096 |
| TOP BOY 50 | 50 | 1997 | → | 2000 | FDB2087 | FSB704 |
| TOP BOY 50 | 50 | 2000 | → | | FDB672 | FSB704 |
| VISA R | 50 | 2010 | → | | FDB314 | |
| VITALITY 50 (2T & 4T) | 50 | 2004 | → | 2006 | FDB497 | FSB704 |
| YUP 50 | 50 | 2001 | → | 2006 | FDB497 | |
| ZK 50 SUPERFEVER | 50 | 1999 | → | | FDB672 | FSB714 |
| ZX 50 FEVER | 50 | 1995 | → | | FDB672 | FSB714 |
| SP 90 YUP | 90 | 1995 | → | | FDB2192 | |
| COBRA 100 RACER | 100 | 1999 | → | 2003 | FDB497 | FSB704 |
| TOP BOY 100 | 100 | 1997 | → | | FDB2087 | FSB704 |
| VISA R 110 | 110 | 2010 | → | | FDB314 | |
| LIBERO 111 4T | 111 | 2008 | → | | FDB2087 | FSB704 |
| ACTIV 110 / 125 | 125 | 2004 | → | | FDB2087 | FSB704 |
| AGILITY 125 | 125 | 2006 | → | 2008 | FDB497 | FSB704 |
| AGILITY 125 R12 4T | 125 | 2006 | → | 2012 | FDB497 | FSB958 |
| AGILITY 125 R16 | 125 | 2008 | → | | FDB2096 | FDB314 |
| AGILITY RS 125 R12 (2T) | 125 | 2009 | → | | FDB2096 | FSB958 |
| AGILITY RS 125 R12 (4T) | 125 | 2010 | → | | FDB497 | FSB958 |
| B & W 125 BET & WIN Dinksport | 125 | 2000 | → | | FDB2087 | FDB2087 |
| DINK / GRAND DINK 125 /New Dink | 125 | 1997 | → | | FDB2087 | FDB2087 |
| DINK 125 | 125 | 2010 | → | | FDB2087 | FDB2087 |
| DOWNTOWN / SUPERDINK 125 i | 125 | 2008 | → | | FDB2225 | FDB2248 |
| EGO 125 | 125 | 2001 | → | 2003 | FDB2087 | FDB2087 |
| FREEWAY 125 | 125 | 1997 | → | | FSB704 | FSB704 |
| GRAND DINK 125 | 125 | 2001 | → | | FDB2087 | FDB2087 |
| HEROISM 125 | 125 | 1995 | → | 1997 | FDB2191 | FSB704 |
| HIPSTER 125 | 125 | 1999 | → | | FDB2087 | FSB755 |
| LIKE 125 4T | 125 | 2008 | → | | FDB2087 | FDB2087 |
| MOVIE 125 | 125 | 1998 | → | 2000 | FDB497 | FSB958 |
| MOVIE 125 (4T) | 125 | 2001 | → | 2008 | FDB2087 | FSB958 |
| MOVIE 125 (4T) | 125 | 2008 | → | | FDB2226 | FSB958 |
| NEXXON 125 | 125 | 2007 | → | | FDB312 | FDB312 |
| PEOPLE / PEOPLE S 125 | 125 | 1999 | → | 2005 | FDB2096 | FSB958 |
| PEOPLE / PEOPLE S 125 | 125 | 2006 | → | | FDB2096 | FDB2254 |
| PEOPLE GT 125i | 125 | 2010 | → | | FDB2105 | FDB2254 |
| PULSAR 125 | 125 | 2001 | → | 2006 | FDB312 | FSB755 |

* It is recommended that in those applications where sintered pads are supplied as Original Equipment, replacement pads should also be of sintered composition.

** To avoid brake imbalance sintered pads fitted in rear calipers should only be used in combination with front calipers containing sintered pads.



CC

FROM → TO



NOTES



NOTES

...KYMCO

| | | | | | |
|--------------------------------------|-----|------|--------|---------|---------|
| QUANNON 125 / NAKED 125 | 125 | 2007 | → | FDB2087 | FDB2087 |
| SECTOR 125 | 125 | 1998 | → 2001 | FDB2087 | |
| SPACER 125 | 125 | 1998 | → | FDB2087 | FDB2087 |
| SPIKE 125 | 125 | 2004 | → | FDB2087 | FDB2087 |
| STRYKER 125 | 125 | 2001 | → 2006 | FDB497 | FSB755 |
| SUPER 8 125 | 125 | 2008 | → | FDB2096 | FSB958 |
| VIVIO 125 | 125 | 2000 | → 2003 | FDB497 | FSB958 |
| YAGER 125 | 125 | 2001 | → | FDB2087 | FDB2087 |
| ZING 125 / ZING II 125 | 125 | 1998 | → | FDB2087 | FSB755 |
| ZING II 125 | 125 | 2010 | → | FDB2087 | |
| AGILITY CITY 150 | 150 | 2008 | → | FDB2096 | FDB2087 |
| B & W 150 BET & WIN | 150 | 2000 | → | FDB2087 | FDB2087 |
| DINK / GRAND DINK 150 | 150 | 1997 | → | FDB2087 | FDB2087 |
| FREEWAY 150 | 150 | 1997 | → | FSB704 | FSB704 |
| HEROISM 150 | 150 | 1995 | → 1997 | FDB2191 | FSB704 |
| HIPSTER 150 | 150 | 1999 | → | FDB2087 | FSB755 |
| MOVIE 150 | 150 | 2001 | → | FDB2087 | FSB958 |
| PEOPLE 150 | 150 | 1999 | → | FDB2096 | FSB958 |
| SPACER 150 | 150 | 2003 | → | FDB2087 | FDB2087 |
| STRAIGHT 150 | 150 | 2008 | → | FDB312 | FDB312 |
| STRYKER 150 (Off-Road) | 150 | 2000 | → 2006 | FDB497 | FSB755 |
| YAGER 150 | 150 | 2001 | → | FDB2087 | FSB958 |
| AGILITY 200 i R16 | 200 | 2010 | → 2012 | FDB2096 | FDB2087 |
| DINK / SPACER / YAGER 200 / New Dink | 200 | 2004 | → | FDB2087 | FDB2087 |
| DOWNTOWN 200 i | 200 | 2010 | → | FDB2225 | FDB2248 |
| LIKE 200 i | 200 | 2010 | → | FDB497 | FDB2087 |
| PEOPLE GT 200i | 200 | 2010 | → | FDB2105 | FDB2254 |
| PEOPLE S 200 | 200 | 2004 | → 2007 | FDB2096 | FSB958 |
| PEOPLE S 200 i | 200 | 2007 | → | FDB2096 | FDB2254 |
| B & W 250 BET & WIN | 250 | 2000 | → | FDB2087 | FDB2087 |
| EGO 250 | 250 | 2001 | → | FDB2087 | FDB2087 |
| GRAND DINK 250 | 250 | 2001 | → | FDB2141 | FDB2140 |
| PEOPLE 250 | 250 | 2004 | → 2005 | FDB2087 | FDB2187 |
| PEOPLE 250 S | 250 | 2006 | → (x2) | FDB2096 | FDB2096 |
| PEOPLE 250 S (Left rear caliper) | 250 | 2006 | → | FDB2096 | FDB2254 |
| VENOX 250 | 250 | 2000 | → | FDB664 | FSB711 |
| XCITING 250 | 250 | 2004 | → 2005 | FDB570 | FDB570 |
| XCITING 250 | 250 | 2006 | → (x2) | FDB2225 | FDB2254 |
| YUP 250 | 250 | 2003 | → | FDB2087 | FDB2087 |
| DOWNTOWN / SUPERDINK 300 i | 300 | 2008 | → | FDB2225 | FDB2248 |
| GRAND DINK 300i | 300 | 2010 | → | FDB570 | FDB2248 |
| PEOPLE GT 300i / ABS | 300 | 2010 | → | FDB2105 | FDB2254 |
| PEOPLE S300i (Left Rear Caliper) | 300 | 2008 | → (x2) | FDB2225 | FDB2254 |
| XCITING 300 Ri | 300 | 2008 | → (x2) | FDB2225 | FDB2254 |
| XCITING 300 Ri | 300 | 2010 | → (x2) | FDB2225 | FDB2226 |
| XCITING 500 | 500 | 2004 | → (x2) | FDB570 | FDB570 |
| XCITING 500 / 500i | 500 | 2005 | → (x2) | FDB2225 | FDB570 |
| XCITING 500 Ri | 500 | 2010 | → (x2) | FDB2225 | FDB2226 |
| MYROAD 700i | 700 | 2008 | → (x2) | FDB2225 | FDB2225 |

LAVERDA

| | | | | | |
|-------------------------|-----|------|-------------|---------|---------|
| OR 50 ATLAS | 50 | 1987 | → | FDB207 | FDB207 |
| 125 | 125 | | → | FDB108 | FSB876 |
| 125 | 125 | 2000 | → | FDB207 | FSB876 |
| 125 (Brembo caliper) | 125 | 1982 | → | FDB694 | FSB876 |
| 125 (Grimeca caliper) | 125 | 1982 | → | FDB695 | FSB876 |
| GS 125 LESMO | 125 | 1986 | → (x2) | FDB207 | FDB207 |
| GS 125 LESMO | 125 | 1990 | → | FDB694 | FDB694 |
| LB 125 CUSTOM | 125 | | → | FDB694 | FSB876 |
| LB 125 STRADA | 125 | | → | FDB694 | FSB876 |
| LB 125 UNO | 125 | | → | FDB694 | FSB876 |
| PHOENIX 125 / 150 / 200 | 125 | 2001 | → | FDB2108 | FDB2096 |
| 350 | 350 | 1980 | → (x2) | FDB207 | FDB207 |
| ALPINO 500 | 500 | 1977 | → (x2) | FDB207 | FDB207 |
| PF 500 | 500 | 1977 | → (x2) | FDB207 | FDB207 |
| RS 500 | 500 | 1977 | → (x2) | FDB207 | FDB207 |
| SFC 500 | 500 | 1977 | → (x2) | FDB108 | FDB108 |
| CR 600 CRUISER | 600 | 1987 | → | FDB499 | |
| OR 600 | 600 | 1986 | → | FDB207 | FDB592 |
| OR 600 ATLAS | 600 | 1987 | → (x2) | FDB592 | |
| 650 (all models) | 650 | 1995 | → 1996 (x2) | FRP408 | FDB207 |

* It is recommended that in those applications where sintered pads are supplied as Original Equipment, replacement pads should also be of sintered composition.

** To avoid brake imbalance sintered pads fitted in rear calipers should only be used in combination with front calipers containing sintered pads.

1050



CC FROM → TO



NOTES



NOTES

...LAVERDA

| | | | | | | |
|----------------------|------|------|------|--------|-------------|---------|
| LYNX 650 | 650 | 2000 | → | (x2) | FRP408 | FDB207 |
| GHOST - DIAMANTE 668 | 668 | 1997 | → | 1998 | (x2) FRP408 | FDB207 |
| 750 S (all models) | 750 | 1999 | → | (x2) | FRP408 | FDB207 |
| CUP 750 | 750 | 1998 | → | (x2) | FRP408 | FDB207 |
| DIAMANTE 750 | 750 | 1997 | → | (x2) | FRP408 | FDB207 |
| SF3 750 | 750 | 1977 | → | (x2) | FDB148 | FDB148 |
| TTS 800 | 800 | 1999 | → | (x2) | FRP408 | FDB2074 |
| JOTA 1000 | 1000 | 1995 | → | (x2) | FRP408 | FDB207 |
| RGA 1000 | 1000 | → | (x2) | FDB148 | FDB148 | |
| RGA 1000 JOTA | 1000 | → | (x2) | FDB148 | FDB148 | |
| RGS 1000 CORSA | 1000 | → | (x2) | FDB148 | FDB148 | |
| RGS 1000 EXECUTIVE | 1000 | → | (x2) | FDB148 | FDB148 | |
| RGS 1000 JOTA | 1000 | 1977 | → | (x2) | FDB148 | FDB148 |
| SFC 1000 | 1000 | 1986 | → | (x2) | FDB108 | FDB108 |
| SFC 1000 | 1000 | 2003 | → | (x2) | FDB2120 | FDB2074 |
| T.T. 1200 | 1200 | 1976 | → | (x2) | FDB148 | FDB148 |

LEM

| | | | | | | |
|-----------|----|------|---|--|---------|---------|
| FLASH 50 | 50 | 1994 | → | | FDB828 | FSB731 |
| GHIBLI 50 | 50 | 1990 | → | | FSB731 | FSB731 |
| R2 / R3 | 50 | 2003 | → | | FDB2183 | FDB2183 |

LIFAN

| | | | | | | |
|--------------|-----|---|--|--|---------|--|
| Smart 50/125 | 125 | → | | | FDB2169 | |
|--------------|-----|---|--|--|---------|--|

LIGIER

| | | | | | | |
|------|-----|------|---|--|---------|--|
| NOVA | 500 | 2001 | → | | FDB2153 | |
|------|-----|------|---|--|---------|--|

LINHAI

| | | | | | | |
|---------------------------|-----|------|---|--|---------|---------|
| LH 50 Prince (Scooter) | 50 | 2007 | → | | FDB383 | |
| Eggy 125 (Scooter) | 125 | 2007 | → | | FDB383 | |
| Monarch 125 T | 125 | 2006 | → | | FDB2003 | FDB2083 |
| Monarch 150 T | 150 | 2006 | → | | FDB2003 | FDB2083 |
| Main Street 300 (Scooter) | 300 | 2007 | → | | FDB2003 | FDB2083 |

MACAL

| | | | | | | |
|------------------|----|------|---|--|--------|--|
| 50 FLASH | 50 | 1999 | → | | FDB680 | |
| TR 50 TROPHY | 50 | 1999 | → | | FDB213 | |
| TR 50 TROPHY H°O | 50 | 1999 | → | | FRP405 | |

MAICO

| | | | | | | |
|-----------------|-----|------|---|--|---------|---------|
| 250 CROSS | 250 | 1986 | → | | FDB404 | FDB404 |
| 250 CROSS | 250 | 1998 | → | | FDB2018 | FDB2005 |
| 250 ENDURO | 250 | 1986 | → | | FDB404 | FDB404 |
| GM 250 CROSS | 250 | 1984 | → | | FDB207 | |
| GME 250 ENDURO | 250 | 1984 | → | | FDB207 | |
| GP 250 | 250 | 1987 | → | | FDB404 | FDB404 |
| GSE 250 ALPHA-E | 250 | 2000 | → | | FSB847 | FSB819 |
| LINK 250 | 250 | 2000 | → | | FSB847 | FSB819 |
| MX 250 TWIN | 250 | 2000 | → | | FSB847 | FSB819 |
| 400 | 400 | 2000 | → | | FSB847 | FSB819 |
| GP 400 | 400 | 1987 | → | | FDB404 | FDB404 |
| MX 490 LINK | 490 | 2000 | → | | FSB847 | FSB819 |
| MX 490 TWIN | 490 | 2000 | → | | FSB847 | FSB819 |
| 500 CROSS | 500 | 1986 | → | | FDB404 | FDB404 |
| 500 CROSS | 500 | 1998 | → | | FDB2018 | FDB2005 |
| 500 ENDURO | 500 | 1986 | → | | FDB404 | FDB404 |
| GM 500 CROSS | 500 | 1984 | → | | FDB207 | |
| GME 500 ENDURO | 500 | 1984 | → | | FDB207 | |
| GP 500 | 500 | 1987 | → | | FDB404 | FDB404 |
| GPE 500 | 500 | 1987 | → | | FDB404 | FDB404 |

* It is recommended that in those applications where sintered pads are supplied as Original Equipment, replacement pads should also be of sintered composition.

** To avoid brake imbalance sintered pads fitted in rear calipers should only be used in combination with front calipers containing sintered pads.



CC

FROM → TO



NOTES



NOTES

MALAGUTI

| | CC | FROM → TO | | NOTES | | NOTES |
|----------------------------------|-----|-------------|---------|-------|---------|-------|
| CHOPPER 25 | 25 | 2000 → | FDB213 | | FSB902 | |
| CHOPPER 40 | 40 | 2000 → | FDB213 | | FSB902 | |
| CENTRO 50 | 50 | 2000 → | FSB907 | | FSB788 | |
| CENTRO 50 4T / SL 4T | 50 | 2008 → | FDB313 | | FSB788 | |
| CENTRO 50 SL | 50 | 1993 → 1999 | FDB697 | | FSB788 | |
| CIAK 50 / CIAK Master 4T 50 | 50 | 1999 → | FDB680 | | FSB788 | |
| CR1 50 CROSSER | 50 | 1995 → | FDB436 | | FSB941 | |
| CR1 50 CROSSER | 50 | 1996 → | FRP405 | | FSB941 | |
| DRAKON 50 NKD | 50 | 2005 → | FDB2074 | | FRP405 | |
| DRIBBLING 50 (all models) | 50 | 1987 → | FSB908 | | FSB908 | |
| DUNE 50 ENDURO | 50 | 1987 → | FDB436 | | FDB436 | |
| F 10 50 JETLINE | 50 | 1992 → 1993 | FDB828 | | FSB788 | |
| F 10 50 JETLINE /F10 WAP JETLINE | 50 | 1994 → | FDB680 | | FSB788 | |
| F 12 50 PHANTOM (liquid cooled) | 50 | 1994 → | FDB697 | | FSB788 | |
| F 12 50 PHANTOM (liquid cooled) | 50 | 1995 → 1997 | FDB436 | | FSB788 | |
| F 12 50 PHANTOM (liquid cooled) | 50 | 1999 → | FDB697 | | FDB680 | |
| F 12 50 PHANTOM Twin disk | 50 | 1998 → (x2) | FDB680 | | FDB680 | |
| F 15 50 FIREFOX | 50 | 1996 → 1997 | FDB436 | | FSB788 | |
| F 15 50 FIREFOX Twin disk | 50 | 1998 → (x2) | FDB697 | | FDB680 | |
| F12 R 50 PHANTOM Ducati | 50 | 2008 → | FDB680 | | FDB680 | |
| F12 R PHANTOM | 50 | 2009 → | FDB313 | | | |
| FIFTY 50 4 MARCE | 50 | 1987 → | FSB907 | | FSB907 | |
| FIFTY 50 FULL (all models) | 50 | 1983 → | FDB436 | | FSB907 | |
| FIFTY 50 HF | 50 | 1987 → | FSB907 | | FSB907 | |
| FIFTY 50 HF | 50 | 2000 → | FDB213 | | FSB907 | |
| FIFTY 50 NL | 50 | 1987 → | FSB907 | | FSB907 | |
| FIFTY 50 RV | 50 | 1987 → | FSB908 | | FSB908 | |
| FIFTY 50 RV VARIATORE / KICK | 50 | 1987 → | FSB908 | | FSB908 | |
| FIFTY 50 TOP | 50 | 1985 → | FDB436 | | FSB907 | |
| FOX 50 CUSTOM | 50 | 1988 → | FSB908 | | FSB908 | |
| GRIZZLY 50 (all models) | 50 | 1987 → | FSB908 | | FSB908 | |
| GRIZZLY 50 RCX / "12" | 50 | 1987 → | FDB213 | | FSB908 | |
| LX 50 SPORT | 50 | 2000 → | FDB213 | | FSB902 | |
| MDX GOLD 50 ENDURO | 50 | 1987 → | FDB697 | | FSB897 | |
| MEX 50 ENDURO | 50 | 1985 → | FDB2081 | | FSB897 | |
| MEX 50 ENDURO | 50 | 1986 → | FDB731 | | FSB897 | |
| MGX 50 ENDURO | 50 | 1987 → | FSB897 | | FSB897 | |
| MLX 50 ENDURO | 50 | 1987 → | FDB697 | | FSB897 | |
| Mopeds 50 (all models) | 50 | 2000 → | FDB436 | | FSB902 | |
| MR4 50 ENDURO | 50 | 1987 → | FDB436 | | FDB436 | |
| RANOCCHIO 50 3 RUOTE | 50 | 1988 → | FSB908 | | FSB908 | |
| RCW 50 RONCO | 50 | 2000 → | FDB213 | | FSB902 | |
| RCX-W 50 ENDURO | 50 | 1983 → | FDB436 | | FSB803 | |
| RGT 50 SPORT | 50 | 1985 → | FDB436 | | FSB897 | |
| RGT 50 STRADA | 50 | 1983 → | FDB436 | | FSB908 | |
| RST 50 SPORT tutti i tipi | 50 | 1987 → | FDB436 | | FDB436 | |
| SAHIB 50 ENDURO | 50 | 1983 → | FDB436 | | FSB803 | |
| VA 50 OLYMPIQUE | 50 | 2000 → | FDB213 | | FSB902 | |
| WC 50 WATERCOOLED | 50 | 2000 → | FDB213 | | FSB907 | |
| XSM 50 SUPERMOTARD | 50 | 2003 → | FDB2106 | | FRP405 | |
| XTM 50 / XSM 50 | 50 | 2003 → | FRP405 | | FRP405 | |
| YESTERDAY 50 | 50 | 1998 → | FDB680 | | FSB788 | |
| CHOPPER 80 | 80 | 2000 → | FDB213 | | FSB902 | |
| MDX 80 ENDURO | 80 | 1984 → | FDB2081 | | | |
| CIAK 100 | 100 | 1999 → 2003 | FDB680 | | FSB788 | |
| F 12 100 PHANTOM | 100 | 1999 → 2003 | FDB680 | | FDB680 | |
| BLOG 125 | 125 | 2008 → | FDB497 | | FDB636 | |
| CENTRO 125 ie | 125 | 2007 → | FDB497 | | FDB636 | |
| CIAK 125 | 125 | 2001 → | FDB2081 | | FSB958 | |
| F 18 WARRIOR 125 | 125 | 2001 → 2003 | FDB680 | | FDB680 | |
| MADISON 125 | 125 | 1999 → 2003 | FDB2106 | | FDB2090 | |
| MADISON 3 - 125 | 125 | 2006 → | FDB2106 | | FDB2090 | |
| PHANTOM MAX 125 | 125 | 2004 → | FDB2106 | | FDB2090 | |
| X3M Enduro 125 | 125 | 2008 → | FRP405 | | FRP405 | |
| X3M Motard 125 | 125 | 2008 → | FDB2106 | | FRP405 | |
| CIAK 150 | 150 | 2001 → | FDB2081 | | FSB958 | |
| F 18 WARRIOR 150 | 150 | 2001 → 2003 | FDB680 | | FDB680 | |
| MADISON 150 | 150 | 1999 → 2003 | FDB2106 | | FDB2090 | |
| BLOG 160 | 160 | 2008 → | FDB497 | | FDB636 | |
| CENTRO 160 ie | 160 | 2008 → | FDB497 | | FDB383 | |
| MADISON 180 | 180 | 1999 → 2003 | FDB2106 | | FDB2090 | |
| MADISON S 200 | 200 | 2004 → | FDB2106 | | FDB2090 | |

* It is recommended that in those applications where sintered pads are supplied as Original Equipment, replacement pads should also be of sintered composition.

** To avoid brake imbalance sintered pads fitted in rear calipers should only be used in combination with front calipers containing sintered pads.



CC FROM → TO



NOTES



NOTES

...MALAGUTI

| | | | | | | | |
|-----------------------|-----|------|--------|------|---------|--|---------|
| PHANTOM MAX 200 | 200 | 2004 | → | | FDB2106 | | FDB2090 |
| MADISON 250 | 250 | 1999 | → 2003 | | FDB2105 | | FDB2090 |
| MADISON 3 250 RS | 250 | 2004 | → | | FDB2106 | | FDB2090 |
| PASSWORD 250 | 250 | 2005 | → | | FDB2106 | | FDB2090 |
| PHANTOM MAX 250 | 250 | 2006 | → | | FDB2106 | | FDB2090 |
| MADISON K 400 | 400 | 2002 | → | | FDB2105 | | FDB2090 |
| SPIDER MAX RS 500/ GT | 500 | 2004 | → | (x2) | FDB438 | | FDB2074 |

MALANCA

| | | | | | | | |
|-------------------|-----|------|---|------|--------|--|--------|
| GT 5 50 | 50 | | → | | FDB213 | | |
| ST 54 | 54 | | → | | FDB213 | | |
| E2 C 80 CS | 80 | | → | (x2) | FDB207 | | FDB207 |
| 125 | 125 | | → | | FDB213 | | |
| GTI 125 | 125 | | → | (x2) | FDB207 | | FDB207 |
| MARK 125 | 125 | 1985 | → | | FDB694 | | FSB898 |
| MARK 125 ENDURO | 125 | | → | | FDB207 | | |
| OB ONE 125 6M | 125 | 1985 | → | (x2) | FDB694 | | FDB694 |
| OB ONE 125 RACING | 125 | 1985 | → | (x2) | FDB694 | | FDB694 |

MBK

| | | | | | | | |
|-------------------------------------|-----|------|--------|--|---------|--|---------|
| ACTIVE 50 | 50 | 1990 | → | | FSB738 | | FSB739 |
| ACTIVE 50 | 50 | 2000 | → | | FSB739 | | FSB739 |
| BOOSTER 50 | 50 | 2000 | → | | FSB738 | | FSB738 |
| BOOSTER 50 / SPIRIT | 50 | 1996 | → | | FDB889 | | FSB738 |
| BOOSTER 50 NEXT GENERATION | 50 | 1996 | → 1998 | | FDB889 | | FSB731 |
| BOOSTER 50 R | 50 | 1994 | → 1995 | | FDB889 | | FSB738 |
| BOOSTER 50 TRACK | 50 | 1996 | → 1998 | | FDB889 | | FSB738 |
| CHAMP 50 | 50 | | → | | FSB730 | | FSB730 |
| EVASION 50 (ruote in lega diritte) | 50 | | → | | FSB754 | | FSB754 |
| EVASION 50 (ruote in lega oblique) | 50 | | → | | FSB871 | | FSB871 |
| EVOLIS 50 | 50 | 1992 | → | | FDB889 | | FSB731 |
| FIZZ 50 | 50 | 1994 | → | | FDB889 | | FSB738 |
| FLIPPER 50 | 50 | 1998 | → | | FDB680 | | FSB738 |
| FORTE 50 | 50 | 1995 | → | | FDB889 | | FSB738 |
| HARDROCK 50 (ruote in lega diritte) | 50 | | → | | FSB754 | | FSB754 |
| HARDROCK 50 (ruote in lega oblique) | 50 | | → | | FSB871 | | FSB871 |
| MAGNUM 50 (ruote in lega diritte) | 50 | | → | | FSB754 | | FSB754 |
| MAGNUM 50 (ruote in lega oblique) | 50 | | → | | FSB871 | | FSB871 |
| NITRO 50 | 50 | 1997 | → | | FDB889 | | FDB2062 |
| OETTO 50 | 50 | 1997 | → | | FDB889 | | FSB731 |
| PASSION 50 (ruote in lega diritte) | 50 | | → | | FSB754 | | FSB754 |
| PASSION 50 (ruote in lega oblique) | 50 | | → | | FSB871 | | FSB871 |
| ROCKET 50 | 50 | 1996 | → 1998 | | FDB889 | | FSB731 |
| SORRISO 50 | 50 | 1992 | → 1996 | | FSB731 | | FSB731 |
| STUNT 50 | 50 | 2000 | → | | FDB680 | | FSB731 |
| TARGET 50 | 50 | 1992 | → | | FDB636 | | FSB731 |
| X-LIMIT 50 | 50 | 1998 | → 2003 | | FDB697 | | FSB731 |
| ACTIVE 75 | 75 | 1990 | → | | FSB738 | | FSB739 |
| ACTIVE 80 | 80 | 1990 | → | | FSB738 | | FSB739 |
| ACTIVE 80 | 80 | 2000 | → | | FSB739 | | FSB739 |
| EVOLIS 80 | 80 | 1994 | → | | FDB889 | | FSB731 |
| BOOSTER 100 | 100 | 2000 | → 2002 | | FDB636 | | FSB947 |
| NITRO 100 | 100 | 2000 | → 2003 | | FDB680 | | FSB733 |
| OETTO 100 | 100 | 2000 | → 2002 | | FDB680 | | FSB733 |
| DOODO 125 | 125 | 2001 | → 2003 | | FDB2018 | | FSB947 |
| SKYLINER 01 - 125 | 125 | 1998 | → 2000 | | FDB2018 | | FSB947 |
| SKYLINER 125 / S.E. | 125 | 2001 | → | | FDB2018 | | FDB2074 |
| THUNDER 125 | 125 | 2001 | → | | FDB2018 | | FDB2074 |
| XC 125 FLAME | 125 | 1998 | → | | FDB383 | | FSB731 |
| XC 125 FLAME R | 125 | 1998 | → | | FDB383 | | FSB731 |
| YW Z | 125 | 2010 | → | | FDB2264 | | |
| DOODO 150 | 150 | 2001 | → 2003 | | FDB2018 | | FSB947 |
| SKYLINER 150 | 150 | 2000 | → 2002 | | FDB2018 | | FSB947 |
| THUNDER 150 | 150 | 2001 | → 2002 | | FDB2018 | | FDB2074 |
| SKYLINER 180 | 180 | 2004 | → | | FDB2018 | | FDB2074 |
| SKYLINER 250 | 250 | 2000 | → 2002 | | FDB2003 | | FDB2083 |
| KILIBRE 300 | 300 | 2003 | → | | FDB2018 | | FDB2018 |
| SKYLINER 400 | 400 | 2004 | → | | FDB2003 | | FDB2200 |

* It is recommended that in those applications where sintered pads are supplied as Original Equipment, replacement pads should also be of sintered composition.

** To avoid brake imbalance sintered pads fitted in rear calipers should only be used in combination with front calipers containing sintered pads.



CC FROM → TO



NOTES



NOTES

MOBYLETTE

Mopeds 50

50 →

FSB865

FSB866

MODENAS

KRISS 115

115 1999 →

FDB631

FSB722

KRISS 115

115 2000 →

FSB722

FSB722

MONTESA

All models trial

2001 →

FDB2127

MKS 50

50 1987 →

FDB436

FSB820

COTA 123

123 1983 →

FSB821

FSB820

COTA 123

123 2000 →

FSB820

FSB820

COTA 242

242 1983 →

FSB821

FSB820

RC 248

248 →

FSB857

FSB857

EVASION 260

260 1994 →

FRP405

FRP405

COTA 290

290 2000 →

FSB820

FSB820

COTA 304

304 1987 →

FDB436

FSB820

COTA 309

309 1989 →

FDB2107

FDB207

COTA 310

310 1990 →

FRP405

FRP405

COTA 314 R

314 1994 →

FRP405

FDB207

COTA 315 R

315 1998 →

FRP405

FDB889

TRIAL 330

330 1985 →

FSB821

FSB820

COTA 335

335 1987 →

FRP405

FRP405

COTA 335

335 1989 →

FDB2107

FDB2107

T 348

348 2000 →

FSB820

FSB820

COTA 349

349 1983 →

FSB821

FSB820

COTA 349

349 2000 →

FSB820

FSB820

H7-S 360

360 →

FDB2107

old models

1500 →

FSB851

MONTESA (HONDA)

MH 123

123 1983 →

FSB821

FSB820

MH 200

200 1983 →

FSB821

FSB820

MH 311 260

260 1992 → 1993

FRP405

FDB207

COTA 310

310 1989 →

FDB2107

FDB207

COTA 310 4T / 4RT

310 2007 →

FDB2109

FDB207

MH 314 R

314 1994 → 1997

FRP405

FDB207

MH 315

315 2001 →

FDB2109

FDB207

MH 315 R

315 1998 → 2000

FRP405

FDB207

MH 349

349 1983 →

FSB821

FSB820

MOTO GUZZI

CHIU' 50

50 1974 → 1976

FSB902

FSB902

CROSS 50

50 1975 → 1976

FSB847

FSB847

CROSS 50

50 1976 → 1982

FSB847

FSB847

DINGO 50 3 V

50 1975 → 1976

FSB902

FSB902

DINGO 50 3M

50 1966 → 1974

FSB902

FSB902

DINGO 50 CROSS

50 1966 → 1974

FSB907

FSB907

DINGO 50 GT

50 1966 → 1974

FSB907

FSB907

DINGO 50 M

50 1969 → 1973

FSB902

FSB902

DINGO 50 MM

50 1975 → 1976

FSB902

FSB902

DINGO 50 SPORT

50 1966 → 1974

FSB907

FSB907

DINGO 50 SUPER

50 1966 → 1974

FSB907

FSB907

DINGO 50 TURISMO

50 1966 → 1974

FSB907

FSB907

MAGNUM 50

50 1975 → 1976

FSB902

FSB902

NIBBIO 50

50 1975 → 1976

FSB847

FSB847

TROTTER 50

50 1966 → 1970

FSB902

FSB902

TROTTER 50 MARK M - V

50 1971 → 1973

FSB902

FSB902

TROTTER 50 SPECIAL M - V

50 1971 → 1973

FSB902

FSB902

TROTTER 50 SUPER

50 1966 → 1970

FSB902

FSB902

2C 125 4T

125 1979 →

FDB207

FSB818

TT 125

125 1985 →

FDB207

FSB911

TURISMO 125

125 1974 → 1981

FDB213

FSB897

TUTTOTERRENO 125

125 1974 → 1981

FSB897

FSB897

STORNELLO 160 (5 speed)

160 1971 → 1974

FSB818

TS 250

250 1974 → 1975

FDB207

FSB818

* It is recommended that in those applications where sintered pads are supplied as Original Equipment, replacement pads should also be of sintered composition.

** To avoid brake imbalance sintered pads fitted in rear calipers should only be used in combination with front calipers containing sintered pads.



CC

FROM → TO



NOTES



NOTES

...MOTO GUZZI

| | | | | |
|---|------|------------------|---------|---------|
| TS 250 | 250 | 1976 → 1982 | FDB207 | FDB207 |
| 254 | 254 | 1977 → 1981 | | FSB818 |
| GTS 350 | 350 | 1974 → 1975 | | FSB818 |
| GTS 350 | 350 | 1974 → 1979 | FDB207 | FDB207 |
| NEVADA 350 | 350 | 1993 → (x2) | FDB207 | FDB207 |
| NTX 350 | 350 | 1987 → | FDB207 | FDB207 |
| NTX 350 | 350 | 1990 → | FDB207 | FDB108 |
| V 35 350 | 350 | 1977 → (x2) | FDB207 | FDB207 |
| V 35 350 C | 350 | 1982 → (x2) | FDB207 | FDB207 |
| V 35 350 FLORIDA | 350 | 1987 → (x2) | FDB207 | FDB207 |
| V 35 350 GT | 350 | 1990 → | FDB108 | FDB207 |
| V 35 350 IMOLA | 350 | 1970 → 1983 (x2) | FDB207 | FDB207 |
| V 35 350 IMOLA II | 350 | 1984 → (x2) | FDB207 | FDB207 |
| V 35 350 TT ENDURO | 350 | 1984 → | FDB207 | FDB207 |
| GTS 400 | 400 | 1974 → 1979 | FDB207 | FDB207 |
| V 50 500 | 500 | 1977 → 1980 | FDB207 | FDB207 |
| V 50 500 C | 500 | 1982 → | FDB207 | FDB207 |
| V 50 500 III | 500 | 1980 → | FDB207 | FDB207 |
| V 50 500 MONZA | 500 | 1980 → 1983 | FDB207 | FDB207 |
| V 50 500 MONZA II | 500 | 1984 → (x2) | FDB207 | FDB207 |
| NTX 650 | 650 | 1990 → | FDB207 | FDB108 |
| V 65 650 | 650 | 1981 → 1983 (x2) | FDB207 | FDB207 |
| V 65 650 FLORIDA | 650 | 1987 → (x2) | FDB207 | FDB207 |
| V 65 650 GT | 650 | 1990 → | FDB108 | FDB207 |
| V 65 650 II ENDURO | 650 | 1984 → | FDB207 | FDB207 |
| V 65 650 LARIO | 650 | 1984 → (x2) | FDB207 | FDB207 |
| V 65 650 SP CHOPPER | 650 | 1981 → (x2) | FDB207 | FDB207 |
| VT 650 TT BAJA | 650 | 1986 → | FDB592 | FDB207 |
| V 7 700 | 700 | 1967 → 1976 | FSB880 | FSB881 |
| V 7 700 SPECIAL | 700 | 1969 → 1971 | FSB796 | FSB881 |
| BREVA 750 IE | 750 | 2003 → | FDB2042 | FDB2074 |
| NTX 750 | 750 | 1990 → | FDB583 | FDB108 |
| S 750 | 750 | 1974 → 1975 (x2) | FDB108 | |
| S3 750 | 750 | 1975 → 1976 | FDB108 | FDB108 |
| SP 750 NEVADA | 750 | 1992 → | FDB207 | FDB207 |
| SP 750 NEVADA CLUB | 750 | 2000 → 2002 | FDB207 | FDB207 |
| SP 750 NEVADA CLUB / CLASSIC I.E. / Aquila Nera | 750 | 2002 → | FDB2042 | FDB2074 |
| T 750 | 750 | 1992 → 1994 | FDB207 | FDB207 |
| V 750 750 SPORT | 750 | 1972 → 1974 | FSB796 | |
| V7 Classic / Clubman Race 750 | 750 | 2008 → | FDB2042 | FDB2074 |
| BREVA V 850 | 850 | 2007 → (x2) | FDB2042 | FDB2018 |
| CALIFORNIA 850 GT | 850 | 1972 → 1974 | FSB796 | |
| CALIFORNIA 850 T3 | 850 | 1975 → 1980 (x2) | FDB108 | FDB108 |
| GRISO 850 | 850 | 2007 → (x2) | FDB2042 | FDB2018 |
| GT 850 | 850 | 1972 → 1974 | FSB796 | |
| LE MANS 850 | 850 | 1976 → (x2) | FDB148 | FDB148 |
| T 850 | 850 | 1974 → 1975 | FDB148 | FSB796 |
| T3 850 | 850 | 1975 → 1979 (x2) | FDB148 | FDB148 |
| T4 850 | 850 | 1980 → 1983 (x2) | FDB148 | FDB148 |
| T5 850 | 850 | 1984 → (x2) | FDB108 | FDB108 |
| 940 - Bellagio | 940 | 2007 → 2012 (x2) | FDB2006 | FDB2018 |
| BELLAGIO 1000 / Aquila Nera | 1000 | 2008 → (x2) | FDB2006 | FDB570 |
| CALIFORNIA (all models) | 1000 | 2001 → 2006 (x2) | FDB2042 | FDB2039 |
| CALIFORNIA 1000 II | 1000 | 1981 → 1990 (x2) | FDB108 | FDB108 |
| CALIFORNIA 1000 III C | 1000 | 1991 → 1998 (x2) | FDB108 | FDB108 |
| CALIFORNIA 1000 EV | 1000 | 1999 → 2001 (x2) | FRP408 | FDB2006 |
| CALIFORNIA Classic / Vintage | 1000 | 2007 → (x2) | FDB2042 | FDB2018 |
| CENTAURO 1000 | 1000 | 1996 → 1999 (x2) | FRP408 | FDB2006 |
| DAYTONA 1000 | 1000 | 1991 → 1994 (x2) | FRP408 | FDB108 |
| DAYTONA 1000 | 1000 | 1995 → 1998 (x2) | FRP408 | FDB108 |
| GT V 1000 | 1000 | 1991 → (x2) | FDB108 | FDB108 |
| LE MANS - V 1000 | 1000 | 1990 → (x2) | FDB108 | FDB108 |
| LE MANS 1000 | 1000 | 1984 → 1993 (x2) | FDB108 | FDB108 |
| QUOTA 1000 | 1000 | 1993 → 1995 (x2) | FDB498 | FDB207 |
| SP 1000 | 1000 | 1978 → 1983 (x2) | FDB108 | FDB204 |
| SP 1000 II | 1000 | 1984 → (x2) | FDB108 | FDB108 |
| SP III 1000 | 1000 | 1991 → (x2) | FDB108 | FDB108 |
| V 1000 1000 G5 | 1000 | 1978 → (x2) | FDB148 | FDB148 |
| V 1000 1000 I CONVERT | 1000 | 1975 → (x2) | FDB148 | FDB148 |
| LE MANS V 11 | 1064 | 2001 → (x2) | FDB2042 | FDB207 |
| 1100 - California 1100 90 | 1100 | 2012 → (x2) | FDB2042 | FDB2006 |
| 1100 - California 1100 Aquila Nera | 1100 | 2009 → 2011 (x2) | FDB2042 | FDB2006 |

* It is recommended that in those applications where sintered pads are supplied as Original Equipment, replacement pads should also be of sintered composition.

** To avoid brake imbalance sintered pads fitted in rear calipers should only be used in combination with front calipers containing sintered pads.



CC FROM → TO



NOTES



NOTES

...MOTO GUZZI

| | | | | | | | |
|--|------|------|---|------|------|---------|---------|
| 1100 - California 1100 Classic Touring | 1100 | 2006 | → | 2008 | (x2) | FDB2042 | FDB2006 |
| 1100 - California 1100 Vintage | 1100 | 2006 | → | 2012 | (x2) | FDB2042 | FDB2006 |
| BREVA V 1100 | 1100 | 2004 | → | | (x2) | FDB2042 | FDB2074 |
| BREVA V 1100 (Std/ABS Models) | 1100 | 2005 | → | 2007 | (x2) | FDB2042 | FDB2018 |
| CALIFORNIA 1100 | 1100 | 1994 | → | 1997 | (x2) | FDB108 | FDB108 |
| CALIFORNIA 1100 | 1100 | 1997 | → | 2001 | (x2) | FRP408 | FDB2006 |
| CENTAURO 1100 V11 SPORT | 1100 | 1999 | → | 2000 | (x2) | FRP408 | FDB2006 |
| GRISO 1100 | 1100 | 2005 | → | 2008 | (x2) | FDB2042 | FDB2018 |
| QUOTA 1100 ES | 1100 | 1999 | → | 2001 | (x2) | FDB2006 | FDB2018 |
| SPORT 1100 | 1100 | 1994 | → | 1999 | | FRP408 | FDB207 |
| 1200 GT | 1200 | 2010 | → | | (x2) | FDB2042 | FDB2074 |
| BREVA 1200 | 1200 | 2008 | → | 2009 | (x2) | FDB2042 | FDB2018 |
| BREVA 1200 SPORT | 1200 | 2008 | → | 2013 | (x2) | FDB2042 | FDB2018 |
| CORSARO Avio / Veloce | 1200 | 2010 | → | | (x2) | FDB2042 | FDB2074 |
| GRAN PASSO 1200 / H83 | 1200 | 2010 | → | | (x2) | FDB2006 | FDB2018 |
| GRANFERRO 1200 | 1200 | 2010 | → | | (x2) | FDB2260 | FDB2018 |
| GRANFERRO 1200 | 1200 | 2010 | → | | (x2) | FDB2218 | FDB2018 |
| GRISO SE 1200 8V | 1200 | 2007 | → | 2013 | (x2) | FDB2042 | FDB2018 |
| NORGE 1200 | 1200 | 2006 | → | 2008 | (x2) | FDB2042 | FDB2018 |
| NORGE 1200 GT 8V ABS | 1200 | 2010 | → | | (x2) | FDB2042 | FDB2018 |
| SCRAMBLER 1200 | 1200 | 2010 | → | | (x2) | FDB2006 | FDB2018 |
| STELVIO 1200 / 1200 NTX ABS | 1200 | 2008 | → | | (x2) | FDB2042 | FDB2018 |
| V12 LM | 1200 | 2010 | → | | (x2) | FDB2123 | FDB2018 |
| V12 X / Strada | 1200 | 2010 | → | | (x2) | FDB2260 | FDB570 |
| V12 X / Strada | 1200 | 2010 | → | | (x2) | FDB2218 | FDB570 |
| MGS - 01 Corsa | 1225 | 2007 | → | | (x2) | FDB2120 | FDB2074 |

MOTO MORINI

| | | | | | | | |
|--|------|------|---|------|------|---------|---------|
| CAMEL 501 | 50 | 1987 | → | | | FDB438 | FDB207 |
| CAMEL 501 | 50 | 2000 | → | | | FDB207 | FDB695 |
| COGUARO 501 | 50 | 1989 | → | | | FDB529 | FDB207 |
| EXCALIBUR 501 | 50 | 1986 | → | 1986 | | FDB438 | FDB695 |
| EXCALIBUR 501 | 50 | 1987 | → | 1988 | | FDB438 | FDB207 |
| EXCALIBUR 501 | 50 | 1989 | → | | | FDB499 | FDB207 |
| NEW YORK 501 | 50 | 1989 | → | | | FDB499 | FDB207 |
| BLUES 125 | 125 | 1993 | → | | | FDB438 | FDB207 |
| KJ 125 | 125 | 1984 | → | | | FDB695 | FSB847 |
| MONOCILINDRO 125 | 125 | 1979 | → | | | FDB205 | FSB847 |
| BICILINDRO 250 | 250 | 1979 | → | | | FDB205 | FSB876 |
| MONOCILINDRO 250 | 250 | 2000 | → | | | FDB205 | FSB876 |
| SPORT 250 | 250 | 2000 | → | | | FDB205 | FSB847 |
| TURISMO 250 | 250 | 2000 | → | | | FDB205 | FSB847 |
| COGAURO 350 | 350 | 1990 | → | | | FDB499 | FDB207 |
| DART 350 | 350 | 1988 | → | 1989 | | FDB499 | FDB207 |
| DART 350 | 350 | 1990 | → | | | FDB529 | FDB207 |
| EXCALIBUR 350 | 350 | 1986 | → | 1989 | | FDB438 | FDB695 |
| EXCALIBUR RLX 350 | 350 | 1990 | → | | | FDB499 | FDB207 |
| GT 350 | 350 | 1976 | → | 1981 | | FDB205 | FSB853 |
| GT 350 | 350 | 1979 | → | | | FDB205 | FSB876 |
| GT 350 TURISMO | 350 | 1980 | → | | | FDB205 | FSB876 |
| K2 350 | 350 | 1984 | → | | | FDB696 | FDB695 |
| KANGURO 350 | 350 | 1984 | → | | | FDB695 | FSB852 |
| KANGURO 350 | 350 | 1987 | → | | | FDB438 | FDB207 |
| KANGURO 350 | 350 | 2000 | → | | | FSB901 | FSB852 |
| NEW YORK 350 | 350 | 1989 | → | | | FDB499 | FDB207 |
| SPORT 350 | 350 | 1980 | → | | | FDB205 | FSB876 |
| SPORT 350 | 350 | 1981 | → | | | FDB205 | FSB853 |
| SPORT 350 | 350 | 1982 | → | | | FDB695 | FDB695 |
| SPORT 350 | 350 | 2000 | → | | | FDB205 | FDB205 |
| WS 350 PRO ACTION | 350 | 1993 | → | | | FDB592 | FDB207 |
| XE 350 | 350 | 1985 | → | | | FDB695 | FSB852 |
| DART 400 | 400 | 1990 | → | | | FDB529 | FDB207 |
| CAMEL 500 | 500 | 1984 | → | | | FDB695 | FSB901 |
| CAMEL 500 | 500 | 2000 | → | | | FSB901 | FSB852 |
| T.T. 500 | 500 | 1980 | → | | | FDB205 | |
| 9 | 998 | 2006 | → | | (x2) | FDB2042 | FDB2074 |
| 1200 SPORT | 1200 | 2008 | → | | (x2) | FDB2042 | FDB2074 |
| Corsaro Veloce / Corsaro 1200 / Corsaro Avio | 1200 | 2005 | → | | (x2) | FDB2042 | FDB2074 |
| Granpasso 1200 / H83 | 1200 | 2008 | → | | (x2) | FDB2006 | FDB2018 |
| MM3 | 1200 | 2007 | → | | (x2) | FDB2042 | FDB2074 |
| Scrambler 1200 | 1200 | 2008 | → | | (x2) | FDB2006 | FDB2018 |

* It is recommended that in those applications where sintered pads are supplied as Original Equipment, replacement pads should also be of sintered composition.

** To avoid brake imbalance sintered pads fitted in rear calipers should only be used in combination with front calipers containing sintered pads.



CC FROM → TO



NOTES



NOTES

MOTOBECANE

| | | | | | | |
|-----------------------------|----|------|---|------|--------|--------|
| all models 50 (mozzi atom) | 50 | 1988 | → | 1989 | FSB712 | FSB864 |
| all models 50 (mozzi leleu) | 50 | 1988 | → | 1989 | FSB712 | FSB864 |
| V 51 (mozzi atom) | 50 | | → | | FSB822 | FSB822 |
| V 51 (mozzi motobecane) | 50 | | → | | FSB822 | FSB822 |

MOTORHISPANIA

| | | | | | | |
|--------------|----|------|---|--|--------|--------|
| MX 50 FURIA | 50 | 2000 | → | | FRP405 | FRP405 |
| RX 50 RACING | 50 | 2000 | → | | FDB438 | FRP405 |

MOTRON

| | | | | | | |
|------------|----|--|---|--|--------|--|
| KCV 50 | 50 | | → | | FDB250 | |
| V 3 50 RID | 50 | | → | | FDB213 | |

MV AGUSTA

| | | | | | | |
|-----------------------------|------|------|---|-----------|---------|---------|
| 675 - F3 | 675 | 2012 | → | (x2) | FDB2042 | FDB2074 |
| 675 - F3 Serie Oro | 675 | 2012 | → | (x2) | FDB2260 | FDB2074 |
| 675 -Brutale | 675 | 2012 | → | (x2) | FDB2042 | FDB2074 |
| F4 750 Brutale | 750 | 1999 | → | (x2) | FDB2036 | FDB2198 |
| Rivale | 800 | 2013 | → | (x2) | FDB2265 | |
| BRUTALE 910 / Hydrogen | 910 | 2007 | → | (x2) | FDB2036 | FDB2198 |
| BRUTALE 910 R / Starfighter | 910 | 2006 | → | (x2) | FDB2120 | FDB2198 |
| 920 - Brutale | 920 | 2011 | → | 2012 (x2) | FDB2042 | FDB2198 |
| BRUTALE 989 R | 989 | 2008 | → | (x2) | FDB2042 | FDB2198 |
| BRUTALE 990 R | 990 | 2010 | → | (x2) | FDB2042 | FDB2198 |
| F4 1000 | 1000 | 2003 | → | 2005 (x2) | FDB2036 | FDB2198 |
| F4 1000 R (1+1) | 1000 | 2006 | → | 2007 (x2) | FDB2120 | FDB2198 |
| F4 Stealth Italian Flag | 1000 | 2010 | → | (x2) | FDB2260 | FDB2198 |
| F4 Stealth Italian Flag | 1000 | 2010 | → | (x2) | FDB2218 | FDB2198 |
| BRUTALE 1078 R | 1078 | 2008 | → | (x2) | FDB2260 | FDB2198 |
| BRUTALE 1078 R | 1078 | 2008 | → | (x2) | FDB2218 | FDB2198 |
| F4 312 R | 1078 | 2007 | → | (x2) | FDB2260 | FDB2198 |
| F4 312 R | 1078 | 2007 | → | (x2) | FDB2218 | FDB2198 |
| F4 RR 1078 | 1078 | 2008 | → | (x2) | FDB2260 | FDB2198 |
| F4 RR 1078 | 1078 | 2008 | → | (x2) | FDB2218 | FDB2198 |
| BRUTALE 1090 RR | 1090 | 2010 | → | (x2) | FDB2260 | FDB2198 |
| BRUTALE 1090 RR | 1090 | 2010 | → | (x2) | FDB2218 | FDB2198 |

MZ

| | | | | | | |
|---|-----|------|---|------|--------|--------|
| ETZ 125 | 125 | | → | | FSB824 | FSB824 |
| ETZ 125 | 125 | 1982 | → | 1992 | FDB108 | FSB824 |
| SAXON 125 | 125 | 1993 | → | 1997 | FDB108 | FSB823 |
| TS 125 | 125 | | → | | FSB823 | FSB824 |
| ETZ 150 | 150 | | → | | FSB824 | FSB824 |
| ETZ 150 | 150 | 1982 | → | 1992 | FDB108 | FSB824 |
| SAXON 150 | 150 | 1995 | → | | FDB108 | FSB823 |
| TS 150 | 150 | | → | | FSB823 | FSB824 |
| ETZ 250 | 250 | | → | | FSB823 | FSB823 |
| ETZ 250 | 250 | 1982 | → | 1992 | FDB148 | FSB823 |
| TS 250 | 250 | | → | | FSB823 | FSB823 |
| FUN 251 | 251 | 1995 | → | 1996 | FDB108 | FSB823 |
| ETZ 301 | 301 | 1990 | → | 1992 | FDB108 | FSB823 |
| SAXON 500 | 500 | 1993 | → | 1998 | FDB108 | FSB823 |
| BAGHIRA / MASTIFF | 660 | 2000 | → | | FDB782 | FDB828 |
| SKORPION CUP / SPORT / TOUR / TRAVELLER | 660 | 1995 | → | | FDB498 | FDB207 |
| SKORPION REPLICA | 660 | 1995 | → | | FRP408 | FDB207 |

NORTON

| | | | | | | |
|---------------------------------|-----|------|---|-----------|--------|--------|
| adaptable to front 200x30 drums | | | → | | FSB923 | |
| COMMANDER | 580 | 1990 | → | (x2) | FDB337 | FDB337 |
| FORMULA 1 | 588 | 1989 | → | 1991 (x2) | FRP408 | FDB207 |
| FORMULA 1 SPORT | 588 | 1992 | → | (x2) | FRP408 | FRP408 |
| INTERPOL 2 (ROTARY) | 588 | 1983 | → | (x2) | FDB108 | FDB108 |
| COMMANDO | 750 | 1968 | → | 1970 | FSB920 | FSB922 |
| COMMANDO | 750 | 1975 | → | 1975 | FDB88 | FDB88 |

* It is recommended that in those applications where sintered pads are supplied as Original Equipment, replacement pads should also be of sintered composition.

** To avoid brake imbalance sintered pads fitted in rear calipers should only be used in combination with front calipers containing sintered pads.



CC FROM → TO



NOTES



NOTES

OSSA

| | | | | | |
|------------------------|-----|------|---|--------|--------|
| CROSS 125 | 125 | 1974 | → | FSB825 | FSB828 |
| CROSS 250 | 250 | 1974 | → | FSB825 | FSB828 |
| FUEGO 250 | 250 | 1974 | → | FSB825 | FSB828 |
| TRIAL 250 (all models) | 250 | 1981 | → | FSB826 | FSB827 |
| TRIAL 250 (all models) | 250 | 2000 | → | FSB825 | FSB825 |
| TRIAL 350 (all models) | 350 | 1981 | → | FSB826 | FSB827 |
| TRIAL 350 (all models) | 350 | 2000 | → | FSB825 | FSB825 |
| TU-YO 360 | 360 | | → | FDB213 | FDB213 |

PEUGEOT

| | | | | | |
|---|-----|------|--------|---------|---------|
| 103 / 104 / 105 50 | 50 | | → | FSB712 | FSB712 |
| ASV 50 (telescopic fork) | 50 | 1993 | → | FSB712 | FSB712 |
| BUXI 50 | 50 | 1994 | → 1997 | FDB680 | FSB704 |
| BUXI RS 50 | 50 | 1994 | → 1997 | FDB313 | FSB704 |
| ELYSEO 50 | 50 | 1998 | → 2002 | FRP405 | FSB704 |
| ELYSEO 50 | 50 | 2003 | → | FRP405 | FRP405 |
| FOX 50 | 50 | 1996 | → | FSB906 | FSB704 |
| JET FORCE 50 | 50 | 2003 | → | FRP405 | FRP405 |
| LOOXOR 50 | 50 | 2001 | → | FRP405 | FSB704 |
| LUDIX ONE 50 | 50 | 2004 | → | FSB704 | FSB704 |
| METROPOLIS 50 | 50 | | → | FSB704 | FSB703 |
| SC 50 | 50 | | → | FSB704 | FSB703 |
| SPEEDAKE 50 | 50 | 1995 | → 2001 | FDB680 | FSB704 |
| SPEEDFIGHT 50 (liquid cooled AJP caliper) | 50 | 1998 | → 2000 | FRP405 | FRP405 |
| SPEEDFIGHT 50 M (AJP caliper) | 50 | 1997 | → 1998 | FRP405 | FSB704 |
| SPEEDFIGHT 50 M (Heng-Tong caliper) | 50 | 1997 | → | FDB313 | FSB704 |
| SQUAB 50 | 50 | 1996 | → 2001 | FRP405 | FSB704 |
| SQUAB 50 (Heng-Tong caliper) | 50 | 1996 | → 2001 | FDB313 | FSB704 |
| ST 50 | 50 | | → | FSB702 | FSB703 |
| ST 50 RAPIDO | 50 | | → | FSB754 | FSB754 |
| STL 2 50 | 50 | | → | FSB702 | FSB703 |
| SV 50 APS SYSTEM | 50 | 1991 | → | FSB704 | FSB704 |
| SV 50 GEO | 50 | 1992 | → | FDB783 | FSB704 |
| SV 50 GEO (all models) | 50 | 1993 | → | FDB672 | FSB704 |
| SX 50 | 50 | | → | FSB704 | FSB754 |
| TREKKER 50 ROAD | 50 | 1997 | → | FDB313 | FSB704 |
| VIVACITY 50 . | 50 | 1998 | → 2003 | FRP405 | FSB704 |
| X FIGHT 50 (liquid cooled) | 50 | 2000 | → | FRP405 | FRP405 |
| X FIGHT 50 M | 50 | 2000 | → | FRP405 | FSB704 |
| XR 6 50 | 50 | 2002 | → | FDB706 | FRP405 |
| ZENITH 50 | 50 | 1994 | → 1995 | FDB783 | FSB704 |
| ZENITH 50 | 50 | 1996 | → 2000 | FRP405 | FSB704 |
| SC 75 | 75 | | → | FSB704 | FSB703 |
| SX 75 | 75 | | → | FSB704 | FSB703 |
| METROPOLIS 80 | 80 | | → | FSB704 | FSB703 |
| SC 80 | 80 | | → | FSB704 | FSB754 |
| SV 80 EXECUTIVE | 80 | 1996 | → | FDB539 | FSB704 |
| SX 80 | 80 | | → | FSB704 | FSB703 |
| ELYSEO 100 | 100 | 1998 | → | FRP405 | FSB704 |
| ELYSEO 100 | 100 | 1999 | → 2002 | FRP405 | FSB962 |
| ELYSEO 100 | 100 | 2003 | → | FRP405 | FRP405 |
| LOOXOR 100 | 100 | 2001 | → | FRP405 | FRP405 |
| TREKKER 100 | 100 | 1998 | → | FRP405 | FSB704 |
| VIVACITY 100 . | 100 | 1998 | → | FRP405 | FSB704 |
| X FIGHT 100 (liquid cooled) | 100 | 2000 | → | FRP405 | FRP405 |
| X FIGHT 100 M | 100 | 2000 | → | FRP405 | FSB704 |
| ELYSEO 125 | 125 | 1998 | → 2000 | FRP405 | FSB762 |
| ELYSEO 125 | 125 | 2001 | → 2002 | FDB2128 | |
| ELYSEO 125 | 125 | 2003 | → | FDB677 | FDB2128 |
| LOOXOR 125 / 150 | 125 | 2003 | → | FDB2105 | FRP405 |
| LUDIX 125 | 125 | 2004 | → | FRP405 | FSB704 |
| SATELIS 125 | 125 | 2006 | → | FDB677 | FRP405 |
| SATELIS 125 / 600 | 125 | 2004 | → 2005 | FDB570 | FDB2128 |
| SV 125 GEO | 125 | 1991 | → 1992 | FDB783 | FSB704 |
| SV 125 GEO | 125 | 1993 | → | FDB672 | FSB704 |
| ELYSEO 150 | 150 | 2000 | → | FRP405 | FDB2128 |
| ELYSEO 150 | 150 | 2001 | → | FDB677 | FDB2128 |
| SV 250 | 250 | 2001 | → | FDB2075 | FDB531 |
| XPS 6 SUPERMOTARD | 600 | 2003 | → | FDB706 | FRP405 |

* It is recommended that in those applications where sintered pads are supplied as Original Equipment, replacement pads should also be of sintered composition.

** To avoid brake imbalance sintered pads fitted in rear calipers should only be used in combination with front calipers containing sintered pads.



CC FROM → TO



NOTES



NOTES

PGO

| | | | | | | |
|-------------------------|-----|------|---|------|---------|--------|
| BIG MAX 50 | 50 | 1995 | → | 2004 | FDB636 | FSB883 |
| BIG MAX 50 S | 50 | 2003 | → | 2004 | FDB2190 | FSB883 |
| COMET 50 | 50 | 1991 | → | | FDB313 | FSB883 |
| GALAXI 50 | 50 | 1992 | → | | FDB313 | FSB883 |
| MY BUBU 50 | 50 | 2003 | → | | FDB889 | FSB731 |
| PMX 50 | 50 | 2000 | → | 2004 | FDB2190 | FSB883 |
| PS 50 | 50 | 1993 | → | | FDB313 | FSB883 |
| STAR 2 50 | 50 | 1994 | → | | FSB704 | FSB703 |
| STAR 50 | 50 | 2000 | → | | FSB704 | FSB703 |
| SUPER FIFTY 50 (BRASIL) | 50 | | → | | | FSB883 |
| T-REX 50 | 50 | 1999 | → | 2004 | FDB2190 | FSB777 |
| BIG MAX 80 | 80 | | → | | FSB704 | FSB703 |
| STAR 80 | 80 | 1990 | → | | FSB704 | FSB703 |
| GALAXI 90 | 90 | 1992 | → | | FDB313 | FSB883 |
| PMX 110 | 110 | 2000 | → | 2004 | FDB2190 | FSB883 |
| T-REX 110 | 110 | 1999 | → | 2004 | FDB2190 | FSB777 |
| CHARGE 125 A / B | 125 | 2001 | → | 2002 | FDB2190 | FSB777 |
| I-CHARGE 125 | 125 | 2003 | → | 2004 | FDB2190 | FSB721 |
| MY BUBU 100 / 125 | 125 | 2003 | → | 2004 | FDB2190 | FSB721 |
| T-REX 125 | 125 | 1999 | → | 2004 | FDB2190 | FSB721 |
| YOUNG BUBU 125 | 125 | 2003 | → | 2004 | FDB2190 | FSB721 |
| T-REX 150 | 150 | 1999 | → | 2004 | FDB2190 | FSB721 |

PIAGGIO

| | | | | | | |
|---------------------------------|----|------|---|------|---------|---------|
| FLY 50 2T | 50 | 2005 | → | 2007 | FDB2142 | FSB954 |
| FLY 50 4T | 50 | 2005 | → | 2008 | FDB2057 | FSB954 |
| FLY 50 4T | 50 | 2008 | → | | FDB2142 | FSB954 |
| FREE 50 | 50 | 1993 | → | 1995 | FSB902 | FSB915 |
| FREE 50 | 50 | 1996 | → | 2000 | FDB697 | FSB940 |
| FREE 50 | 50 | 2002 | → | | FDB680 | FSB938 |
| FREE 50 (alloy wheels) | 50 | 1996 | → | 2000 | FSB915 | FSB895 |
| FREE Delivery 50 | 50 | 2000 | → | 2001 | FDB697 | FSB940 |
| LIBERTY 50 | 50 | 1997 | → | 2003 | FDB2057 | FSB954 |
| LIBERTY S50 4T | 50 | 2008 | → | | FDB680 | FDB680 |
| NGR 50 POWER DD / Silver Bullet | 50 | 2005 | → | | FDB313 | FDB2057 |
| NGR 50 POWER DT | 50 | 2005 | → | 2007 | FDB313 | FSB938 |
| NRG 50 | 50 | 1994 | → | 1995 | FDB680 | FSB895 |
| NRG 50 | 50 | 1996 | → | 1997 | FDB680 | FSB940 |
| NRG 50 DT MC3 | 50 | 2001 | → | 2005 | FDB680 | FSB938 |
| NRG 50 MC2 | 50 | 1996 | → | 1997 | FDB680 | FSB940 |
| NRG 50 MC2 | 50 | 1998 | → | | FDB680 | FSB938 |
| NRG 50 MC2 DD | 50 | 1998 | → | | FDB680 | FDB2057 |
| NRG 50 MC3 | 50 | 1999 | → | 2001 | FDB680 | FSB938 |
| NRG 50 MC3 / EXTREME DD | 50 | 1999 | → | 2001 | FDB680 | FDB2057 |
| NRG 50 MC3 DD | 50 | 2001 | → | 2005 | FDB680 | FDB2057 |
| NRG 50 Power DD | 50 | 2010 | → | | FDB313 | FDB680 |
| NRG 50 Power Pure Jet | 50 | 2004 | → | 2008 | FDB313 | FDB2057 |
| NTT 50 | 50 | 1996 | → | | FDB680 | FSB940 |
| NTT 50 | 50 | 2000 | → | | FDB680 | FSB895 |
| QUARTZ 50 | 50 | 1992 | → | 1996 | FDB784 | FSB895 |
| SCATTO 50 | 50 | 1990 | → | 1993 | FSB896 | FSB896 |
| SFERA 50 | 50 | 1991 | → | 1994 | FSB894 | FSB895 |
| SFERA 50 RST | 50 | 1995 | → | 1997 | FDB2037 | FSB940 |
| TPH 50 X-R | 50 | 2005 | → | | FDB680 | |
| TYPHOON 50 | 50 | 1993 | → | 1999 | FDB680 | FSB940 |
| TYPHOON XR 50 | 50 | 2000 | → | 2007 | FDB680 | FSB938 |
| VELOFAX 50 | 50 | 1996 | → | | FSB938 | FSB951 |
| VESPA 50 | 50 | | → | | FSB890 | FSB885 |
| VESPA 50 ET2 | 50 | 1997 | → | 1998 | FDB2057 | FSB938 |
| VESPA 50 ET4 | 50 | 1999 | → | | FDB2057 | FSB938 |
| VESPA 50 HP | 50 | 1992 | → | 1996 | FSB874 | FSB874 |
| VESPA 50 PK SPECIAL - XL | 50 | 1986 | → | 1989 | FSB890 | FSB874 |
| VESPA 50 PK XL 2 | 50 | | → | | FSB874 | FSB874 |
| VESPA 50 PK XL 2 AUTOMATICA | 50 | | → | | FSB874 | FSB887 |
| VESPA 50 SPECIAL | 50 | | → | | FSB890 | FSB891 |
| VESPA 50 V FL 2 | 50 | 1990 | → | 1996 | FSB874 | FSB874 |
| VESPA LX 50 2T | 50 | 2007 | → | | FDB2115 | |
| VESPA S50 | 50 | 2008 | → | | FDB2115 | |
| XR 50 | 50 | 2000 | → | | FDB680 | FSB938 |
| ZIP 50 | 50 | 1992 | → | 1996 | FSB915 | FSB895 |
| ZIP 50 | 50 | 1999 | → | | FSB952 | FSB938 |

* It is recommended that in those applications where sintered pads are supplied as Original Equipment, replacement pads should also be of sintered composition.

** To avoid brake imbalance sintered pads fitted in rear calipers should only be used in combination with front calipers containing sintered pads.



CC

FROM → TO



NOTES



NOTES

...PIAGGIO

| | | | | |
|--|-----|------------------|---------|---------|
| ZIP 50 Grimeca/Heng Tong A/C 4T | 50 | 2000 → 2008 | FDB2057 | FSB938 |
| ZIP 50 SP | 50 | 2001 → 2006 | FDB2057 | FSB938 |
| ZIP 50 BASE (Disc) | 50 | 1995 → 1996 | FDB680 | FSB938 |
| ZIP 50 Electric | 50 | 2002 → | FDB680 | FSB940 |
| ZIP 50 FAST RIDER | 50 | 1993 → 1997 | FDB680 | FSB940 |
| ZIP 50 RST | 50 | 1996 → 1997 | FDB2056 | FSB938 |
| ZIP 50 RST | 50 | 1998 → 1999 | FDB2057 | FSB952 |
| ZIP 50 SP | 50 | 1996 → 2000 | FDB2057 | FSB938 |
| ZUM 50 | 50 | 1991 → 1996 | FSB896 | FSB896 |
| SFERA 80 | 80 | 1994 → 1996 | FSB894 | FSB895 |
| SKIPPER 80 | 80 | 1994 → 1996 | FDB784 | FSB895 |
| TYPHOON 80 | 80 | 1993 → 1996 | FDB680 | FSB940 |
| VESPA 90 PRIMAVERA | 90 | → | FSB890 | FSB891 |
| FREE 100 | 100 | 2002 → | FDB680 | FSB954 |
| BEVERLY 125 (Grimeca caliper) | 125 | 2001 → | FDB677 | FDB677 |
| BEVERLY 125 (Heng Tong caliper) | 125 | 2001 → | FDB2142 | FDB2142 |
| CORNABY 125 | 125 | 2008 → | FDB2142 | FDB2186 |
| COSA 125 | 125 | 1989 → 1991 | FSB893 | FSB892 |
| COSA 2 125 | 125 | 1992 → 1997 | FSB893 | FSB892 |
| DNA 125 | 125 | 2000 → 2003 | FDB677 | FDB2115 |
| FLY 125 | 125 | 2004 → 2006 | FDB2142 | FSB954 |
| GTS 125 Super | 125 | 2010 → | FDB2142 | FDB2115 |
| HEXAGON 125 | 125 | 1994 → 1997 | FDB680 | FSB938 |
| HEXAGON 125 LX | 125 | 1998 → 1999 | FDB677 | FSB954 |
| LIBERTY 125 / Elle | 125 | 2010 → | FDB2142 | |
| LIBERTY 125 4 T | 125 | 1998 → 2002 | FDB2057 | FSB954 |
| MP3 125 ie | 125 | 2006 → (x2) | FDB2057 | FDB2207 |
| MP3 Hybrid 125 | 125 | 2010 → (x2) | FDB2057 | FDB2186 |
| SFERA 125 | 125 | 1995 → 1997 | FDB2037 | FSB938 |
| SFERA 125 (4 stroke) | 125 | 1996 → | FDB2057 | FSB938 |
| SKIPPER 125 | 125 | 1993 → 1997 | FDB784 | FSB938 |
| SKIPPER 125 ST 4T | 125 | 1998 → 1999 | FDB677 | FSB954 |
| SKIPPER ST 125 (Grimeca caliper) | 125 | 2000 → | FDB677 | FSB954 |
| SKIPPER ST 125 (Heng Tong caliper) | 125 | 2000 → | FDB2142 | FSB954 |
| SUPER HEXAGON 125 GTX | 125 | 2001 → | FDB2142 | FDB2115 |
| TYPHOON 125 / XR 125 | 125 | 1995 → 2000 | FDB680 | FSB938 |
| TYPHOON 125 / XR 125 | 125 | 1999 → 2003 | FDB680 | FSB954 |
| VESPA 125 | 125 | 1951 → 1962 | FSB890 | FSB875 |
| VESPA 125 | 125 | 1963 → 1972 | FSB890 | FSB873 |
| VESPA 125 ET3 | 125 | → | FSB890 | FSB891 |
| VESPA 125 ET4 | 125 | 1996 → | FDB2057 | FSB938 |
| VESPA 125 PK AUTOMATICA | 125 | 1984 → | FSB874 | FSB887 |
| VESPA 125 PK SPECIAL - XL | 125 | 1986 → | FSB874 | FSB874 |
| VESPA 125 PK XL 2 | 125 | → | FSB874 | FSB874 |
| VESPA 125 PRIMAVERA | 125 | → | FSB890 | FSB891 |
| VESPA 125 PX | 125 | 1978 → 1982 | FSB874 | FSB874 |
| VESPA 125 PX | 125 | 1998 → | FDB2100 | FSB874 |
| VESPA 125 PX ARCOBALENO | 125 | 1983 → 1990 | FSB874 | FSB874 |
| VESPA 125 V FL2 | 125 | 1991 → 1997 | FSB874 | FSB874 |
| VESPA GRANTURISMO 125 (Grimeca caliper) | 125 | 2003 → | FDB677 | FDB2115 |
| VESPA GRANTURISMO 125 (Heng Tong caliper) | 125 | 2003 → | FDB2142 | FDB2115 |
| VESPA LXV 125 / LX 125 / LXW 125 / Touring | 125 | 2007 → | FDB2115 | |
| VESPA S 125 | 125 | 2008 → | FDB2057 | |
| X8 125 | 125 | 2005 → | FDB2142 | FDB2207 |
| X9 125 | 125 | 2001 → 2002 (x2) | FDB2074 | FDB2074 |
| X9 125 Evolution (left) | 125 | 2004 → | FDB2142 | |
| X9 125 Evolution (right) | 125 | 2004 → | FDB2186 | FDB2074 |
| ZIP 125 | 125 | 2000 → | FDB2057 | FSB938 |
| COSA 150 | 150 | 1989 → 1991 | FSB893 | FSB892 |
| COSA 2 150 | 150 | 1992 → 1997 | FSB893 | FSB892 |
| FLY 150 | 150 | 2006 → 2008 | FDB2142 | |
| HEXAGON 150 | 150 | 1994 → 1999 | FDB680 | FSB938 |
| LIBERTY 150 | 150 | 2008 → | FDB2057 | FSB954 |
| LIBERTY 150 LE | 150 | 2000 → 2002 | FDB2057 | FSB954 |
| SKIPPER 150 | 150 | 1993 → 1997 | FDB784 | FSB938 |
| SKIPPER 150 ST 4T | 150 | 1998 → 1999 | FDB677 | FSB954 |
| SKIPPER ST 150 (Grimeca caliper) | 150 | 2000 → | FDB677 | FSB954 |
| SKIPPER ST 150 (Heng Tong caliper) | 150 | 2000 → | FDB2142 | FSB954 |
| SUPER HEXAGON 150 GTX | 150 | 2001 → | FDB2142 | FDB2115 |
| VESPA 150 | 150 | 1951 → 1962 | FSB890 | FSB875 |
| VESPA 150 | 150 | 1963 → 1972 | FSB890 | FSB873 |
| VESPA 150 ET4 | 150 | 1996 → | FDB2057 | FSB938 |

* It is recommended that in those applications where sintered pads are supplied as Original Equipment, replacement pads should also be of sintered composition.

** To avoid brake imbalance sintered pads fitted in rear calipers should only be used in combination with front calipers containing sintered pads.

1060



CC FROM → TO



NOTES



NOTES

...PIAGGIO

| | | | | | | |
|---|-----|------|---|-----------|---------|---------|
| VESPA 150 PX | 150 | 1978 | → | 1982 | FSB874 | FSB874 |
| VESPA 150 PX | 150 | 1998 | → | | FDB2100 | FSB874 |
| VESPA 150 PX ARCOBALENO | 150 | 1983 | → | 1990 | FSB874 | FSB874 |
| VESPA 150 SPRINT VELOCE | 150 | | → | | FSB869 | FSB874 |
| VESPA 150 SUPER | 150 | | → | | FSB890 | FSB879 |
| VESPA LX 150 | 150 | 2007 | → | | FDB2115 | |
| VESPA S 150 | 150 | 2010 | → | | FDB2057 | |
| VESPA 160 GS | 160 | | → | | FSB869 | FSB874 |
| DNA 180 | 180 | 2001 | → | 2002 | FDB677 | FDB2115 |
| HEXAGON 180 LX | 180 | 1998 | → | 1999 | FDB677 | FSB954 |
| SUPER HEXAGON 180 GTX | 180 | 2000 | → | | FDB677 | FDB2057 |
| SUPER HEXAGON 180 GTX | 180 | 2001 | → | 2003 | FDB2142 | FDB2115 |
| VESPA 180 SS | 180 | | → | | FSB869 | FSB874 |
| X9 180 AMALFI | 180 | 2001 | → | 2003 (x2) | FDB2074 | FDB2074 |
| BEVERLY 200 | 200 | 2001 | → | | FDB677 | FDB677 |
| BEVERLY 200 | 200 | 2001 | → | | FDB2142 | FDB2142 |
| COSA 2 200 | 200 | 1992 | → | | FSB893 | FSB892 |
| COSA 200 | 200 | 1989 | → | | FSB893 | FSB892 |
| VESPA 200 PE | 200 | 1983 | → | | FSB874 | FSB874 |
| VESPA 200 PX | 200 | 1998 | → | | FDB2100 | FSB874 |
| VESPA 200 PX ARCOBALENO | 200 | 1983 | → | | FSB874 | FSB874 |
| VESPA 200 PX E | 200 | 1978 | → | | FSB874 | FSB874 |
| VESPA 200 RALLY | 200 | | → | | FSB869 | FSB874 |
| VESPA GRANTURISMO 200 (Grimeca caliper) | 200 | 2003 | → | | FDB677 | FDB2115 |
| VESPA GRANTURISMO 200 (Heng Tong caliper) | 200 | 2003 | → | | FDB2142 | FDB2115 |
| X8 200 | 200 | 2004 | → | | FDB2142 | FDB2074 |
| X9 200 | 200 | 2002 | → | 2003 (x2) | FDB2074 | FDB2074 |
| BEVERLY 250 (Grimeca caliper) | 250 | 2002 | → | 2006 | FDB677 | FDB677 |
| BEVERLY 250 (Heng Tong caliper) | 250 | 2006 | → | 2007 | FDB2142 | FDB2142 |
| BEVERLY Tourer 250i | 250 | 2008 | → | | FDB2142 | FDB2142 |
| HEXAGON 250 | 250 | 1998 | → | 1999 | FDB677 | FSB762 |
| MP3 250 | 250 | 2007 | → | (x2) | FDB2057 | FDB2207 |
| SUPER HEXAGON 250 GTX | 250 | 2001 | → | 2002 | FDB677 | FDB2115 |
| VESPA GTS - GTV 250 ie | 250 | 2008 | → | | FDB2142 | FDB2115 |
| X-EVO 250 ie | 250 | 2008 | → | | FDB2142 | FDB2186 |
| X7 250 | 250 | 2008 | → | | FDB2186 | FDB2186 |
| X8 250 | 250 | 2006 | → | | FDB2142 | FDB2207 |
| X9 250 AMALFI | 250 | 2000 | → | 2003 (x2) | FDB2074 | FDB2074 |
| X9 250 Evolution (left) | 250 | 2004 | → | 2005 | FDB2142 | |
| X9 250 Evolution (left) | 250 | 2005 | → | 2005 | FDB2142 | |
| X9 250 Evolution (right) | 250 | 2004 | → | 2005 | FDB2186 | FDB2074 |
| X9 250 Evolution (right) | 250 | 2005 | → | 2005 | FDB2186 | FDB2207 |
| GTV Via Montenapoleone 280 | 280 | 2010 | → | | FDB2142 | FDB2115 |
| BEVERLY Tourer 300 ie | 300 | 2010 | → | | FDB2142 | FDB2142 |
| CARNABY CRUISER 300 ie | 300 | 2008 | → | | FDB2142 | FDB2142 |
| MP3 LT 300 ie | 300 | 2010 | → | (x2) | FDB2057 | FDB2186 |
| VESPA GTS 300 / Super / Supersport | 300 | 2008 | → | | FDB2142 | FDB2115 |
| X7 EVO 300 | 300 | 2010 | → | | FDB2142 | FDB2186 |
| BEVERLY Tourer 400i | 400 | 2008 | → | (x2) | FDB2074 | FDB2074 |
| MP3 400 ie | 400 | 2007 | → | 2008 (x2) | FDB2057 | FDB2142 |
| MP3 LT 400 ie | 400 | 2009 | → | (x2) | FDB2057 | FDB2207 |
| X-EVO 400 ie (left) | 400 | 2008 | → | | FDB2142 | |
| X-EVO 400 ie (right) | 400 | 2008 | → | | FDB2186 | FDB2186 |
| BEVERLY CRUISER 500 ie | 500 | 2008 | → | (x2) | FDB2074 | FDB2074 |
| M 500 Minicar | 500 | 2006 | → | 2008 | FDB2153 | |
| MP3 500 | 500 | 2010 | → | (x2) | FDB2057 | FDB2186 |
| MP3 Sport 500 | 500 | 2010 | → | (x2) | FDB2057 | FDB2186 |
| PK 500 Motocarro | 500 | 2006 | → | 2008 | FDB2153 | |
| X9 500 | 500 | 2001 | → | 2002 (x2) | FDB2074 | FDB2074 |
| X9 500 | 500 | 2003 | → | (x2) | FDB2018 | FDB2074 |

PIAGGIO (moped)

| | | | | | | |
|----------------------------------|----|------|---|--|--------|--------|
| BOSS 50 | 50 | 1988 | → | | FSB908 | FSB889 |
| BOXER 50 | 50 | | → | | FSB902 | FSB889 |
| BRAVO 50 | 50 | | → | | FSB902 | FSB889 |
| BRAVO 50 (alloy wheels 90mm hub) | 50 | 1987 | → | | FSB908 | FSB889 |
| BRAVO 50 (alloy wheels) | 50 | 1987 | → | | FSB910 | FSB889 |
| CIAO 50 | 50 | | → | | FSB902 | FSB889 |
| CIAO 50 (alloy wheels) | 50 | 1987 | → | | FSB910 | FSB889 |
| CIAO 50 MIX | 50 | 1997 | → | | FSB952 | FSB889 |
| GRILLO 50 | 50 | 1989 | → | | FSB910 | FSB889 |

* It is recommended that in those applications where sintered pads are supplied as Original Equipment, replacement pads should also be of sintered composition.

** To avoid brake imbalance sintered pads fitted in rear calipers should only be used in combination with front calipers containing sintered pads.



CC FROM → TO



NOTES



NOTES

...PIAGGIO (moped)

| | | | | | |
|-----------------------|----|------|---|--------|--------|
| P1 50 | 50 | 1994 | → | FSB937 | FSB937 |
| SI 50 | 50 | | → | FSB902 | FSB889 |
| SI 50 (alloy wheels) | 50 | 1980 | → | FSB910 | FSB889 |
| SI 50 MIX | 50 | 1997 | → | FSB952 | FSB889 |
| SUPER BRAVO 50 | 50 | 1985 | → | FSB902 | FSB889 |
| SUPERBRAVO 50 3 Marce | 50 | 1987 | → | FSB910 | FSB888 |

PIAGGIO (motocarri)

| | | | | | |
|---------------------------------|-----|------|--------|--------|--------|
| APE 50 | 50 | | → | FSB890 | FSB886 |
| APE CAR | 50 | | → | FSB878 | |
| APE MP | 50 | | → | FSB882 | |
| PORTER | 50 | 1993 | → | | FSB965 |
| APE 150 C 1/2/3 | 150 | | → | FSB890 | |
| APE 150 C4 | 150 | | → | FSB890 | FSB884 |
| APE 175 PENTARO' | 175 | | → | FSB890 | FSB884 |
| APE CAR 220 P2/P3 | 220 | 1978 | → 1985 | FSB872 | |
| APE TM 220 P 602 | 220 | 1982 | → 1983 | FSB872 | |
| APE POKER 420 | 420 | 1993 | → | FSB935 | FSB935 |
| APE POKER 420 DIESEL | 420 | 1993 | → 1997 | FSB935 | FSB935 |
| APE TM 420 D LCS | 420 | 2005 | → | FSB872 | |
| APE TM 420 P703 / P703 V / FL 2 | 420 | 1984 | → 2001 | FSB872 | |
| APE TM 420 P703 / P703 V DIESEL | 420 | 1987 | → 2001 | FSB872 | |
| VTL 500 QUARGO | 500 | 2005 | → | FSB935 | FSB935 |

PIAGGIO (Spain)

| | | | | | |
|------------------|-----|------|---|--------|--------|
| VESPINO 50 | 50 | 1980 | → | FSB910 | FSB912 |
| VESPINO 50 | 50 | 2000 | → | FSB902 | FSB912 |
| VESPA 80 | 80 | | → | FSB890 | FSB874 |
| VESPA 80 PX | 80 | | → | FSB890 | FSB874 |
| VESPA 80 SPECIAL | 80 | | → | FSB890 | FSB874 |
| VESPA 125 PX | 125 | | → | FSB874 | FSB874 |
| VESPA 150 PX | 150 | | → | FSB874 | FSB874 |

PUCH

| | | | | | |
|---|-----|------|--------|---------|--------|
| adaptable to 95x22 front and rear drums | | | → | FSB831 | FSB831 |
| MAXI 30 30 all models | 30 | | → | FSB712 | FSB712 |
| MAXI 40 40 all models | 40 | | → | FSB712 | FSB712 |
| BORRASCA 50 | 50 | | → | FSB826 | FSB826 |
| CONDOR 50 | 50 | | → | FDB2107 | FSB820 |
| GTL 50 | 50 | | → | FDB213 | FSB712 |
| MINICROSS 50 | 50 | | → | FSB826 | FSB826 |
| MONZA 50 | 50 | 1983 | → | FSB820 | FSB820 |
| MONZA 50 | 50 | 1984 | → | FDB213 | FSB827 |
| MONZA 50 | 50 | 1985 | → | FDB2107 | FSB827 |
| MONZA 50 4 GP all models | 50 | | → | FSB712 | FSB712 |
| MONZA 50 4 SL | 50 | | → | FSB712 | FSB712 |
| MONZA 50 50 (alloy wheels 160x17) | 50 | 1984 | → | FSB827 | FSB827 |
| RADICAL 50 | 50 | 1994 | → | FSB937 | FSB937 |
| COBRA 75 | 75 | 1985 | → | FDB2107 | FSB820 |
| LIDO 75 (scooter) | 75 | 1986 | → | FSB777 | FSB777 |
| 80 /6 | 80 | | → | FDB213 | FSB712 |
| COBRA 80 | 80 | 1984 | → | FDB2107 | FSB820 |
| GS 80 V | 80 | 1983 | → | FSB898 | FSB898 |
| MAXI 80 | 80 | 1988 | → | FDB696 | FDB207 |
| MAXI 80 EXECUTIVE | 80 | 1988 | → | FSB908 | FSB877 |
| 125 | 125 | 1987 | → | FDB438 | |
| FS 125 REGOLARITA' | 125 | 1983 | → | FSB898 | FSB898 |
| CROSS 250 | 250 | 1986 | → 1986 | FDB207 | FDB694 |
| F5 250 | 250 | 1984 | → | FSB898 | |
| F5 250 REGOLARITA' | 250 | 1983 | → | FSB901 | FSB876 |
| HFE 250 | 250 | 1986 | → 1986 | FDB207 | FSB876 |
| MC 250 VHS W | 250 | 1983 | → | FSB901 | FSB876 |
| CROSS 347 | 347 | 2000 | → | FSB901 | FSB852 |
| FS 347 REGOLARITA' | 347 | 2000 | → | FSB901 | FSB876 |
| 348 | 348 | | → | FDB213 | |
| MC 496 | 496 | 2000 | → | FSB901 | FSB876 |
| 504 | 504 | | → | FDB213 | |

* It is recommended that in those applications where sintered pads are supplied as Original Equipment, replacement pads should also be of sintered composition.

** To avoid brake imbalance sintered pads fitted in rear calipers should only be used in combination with front calipers containing sintered pads.



CC FROM → TO



NOTES



NOTES

...PUCH

| | | | | | | |
|---------------------|-----|------|---|--------|--|--------|
| 506 | 506 | → | | FDB213 | | |
| 560 (Rotax engine) | 560 | → | | FDB213 | | |
| ENDURO 600 4 VALVES | 600 | 1985 | → | FDB207 | | FDB207 |

RAPIDO

| | | | | | | |
|-------------|----|---|--|--------|--|--------|
| SCRENNIA 50 | 50 | → | | FSB914 | | FSB731 |
|-------------|----|---|--|--------|--|--------|

REAL

| | | | | | | |
|-----------------|----|---|--|--------|--|--|
| NEVADA 80 SPORT | 80 | → | | FDB213 | | |
|-----------------|----|---|--|--------|--|--|

RIEJU

| | | | | | | |
|---|-----|------|--------|-------------|--|---------|
| MARATHON RV 50 | 50 | 1974 | → | FSB832 | | FSB832 |
| MRT 50 | 50 | 2008 | → | FDB384 | | FDB384 |
| MRT 50 PRO / SUPERMOTARD / Competizione | 50 | 2008 | → | FDB2074 | | FDB384 |
| MRT 50 SUPERMOTARD | 50 | 2010 | → | FDB384 | | FDB384 |
| MRX 50 | 50 | 2003 | → 2008 | FRP405 | | FRP405 |
| MRX 50 CASTROL | 50 | 2001 | → 2002 | FDB706 | | FRP405 |
| MRX 50 PRO / TOP | 50 | 2004 | → 2008 | FDB677 | | FRP405 |
| MTR 50 Competizione (Spoke Wheel) | 50 | 2011 | → | FDB2242 | | |
| NKD 50 | 50 | 2007 | → | FDB2147 | | FRP405 |
| RR 50 CASTROL | 50 | 2000 | → 2002 | FDB706 | | FRP405 |
| RR 50 SPORT | 50 | 2003 | → 2006 | FRP405 | | FRP405 |
| RR 50 THUNDERFIRE | 50 | 1997 | → 2002 | FRP405 | | FRP405 |
| RS1 50 | 50 | 1997 | → 2000 | FRP405 | | FRP405 |
| RS1 50 | 50 | 2001 | → 2004 | FDB706 | | FRP405 |
| RS2 50 | 50 | 2009 | → | FDB2147 | | FRP405 |
| RS2 50 FR / PRO | 50 | 2008 | → | FDB2169 | | FDB828 |
| RS2 50 MATRIX / PRO 50 (JJUAN) | 50 | 2007 | → 2008 | FDB2169 | | FDB384 |
| RS2 50 PRO | 50 | 2009 | → | FDB2169 | | FDB828 |
| RS2 50 PRO (AJP) | 50 | 2006 | → 2008 | FRP405 | | FRP405 |
| RS2 MATRIX 50 (AJP) | 50 | 2002 | → 2008 | FDB2147 | | FRP405 |
| RS2 NKD | 50 | 2005 | → | FDB677 | | FRP405 |
| SMX 50 | 50 | 2002 | → | FRP405 | | FRP405 |
| SMX 50 PRO | 50 | 2004 | → | FDB677 | | FRP405 |
| SPIKE 50 | 50 | 2004 | → | FRP405 | | FRP405 |
| SPIKE 50 MOTARD | 50 | 2004 | → | FDB706 | | FRP405 |
| TANGO 50 / TANGO! 50 | 50 | 2007 | → | FDB2074 | | FRP405 |
| TANGO 50 Motard | 50 | 2009 | → | FDB384 | | FRP405 |
| MR 80 | 80 | → | | FDB2107 | | FSB827 |
| MARATHON 125 / MOTARD | 125 | 2008 | → | FDB384 | | FDB384 |
| MARATHON 125 PRO / SUPERMOTARD | 125 | 2008 | → | FDB2074 | | FDB384 |
| Marathon Pro 125 Competizione (Spoke Wheel) | 125 | 2011 | → 2013 | FDB2242 | | |
| MRX 125 | 125 | 2002 | → 2008 | FDB706 | | FRP405 |
| NKD 125 | 125 | 2006 | → 2007 | FDB2147 | | FRP405 |
| NKD 125 | 125 | 2008 | → | FDB2169 | | FDB828 |
| RS2 125 (AJP) | 125 | 2006 | → 2008 | FDB2147 | | FRP405 |
| RS2 125 / PRO | 125 | 2009 | → | FDB677 | | FRP405 |
| RS2 125 / PRO 125 (JJUAN) | 125 | 2007 | → 2008 | FDB2169 | | FDB384 |
| RS3 125 | 125 | 2009 | → | FDB2074 | | FRP405 |
| SMX 125 | 125 | 2002 | → 2007 | FDB706 | | FRP405 |
| SMX 125 / Street | 125 | 2007 | → | FDB2074 | | FRP405 |
| TANGO 125 | 125 | 2011 | → 2013 | FDB2242 | | |
| TANGO 125 / PRO | 125 | 2006 | → 2010 | FDB2074 | | FRP405 |
| MARATHON 250 | 250 | 2010 | → | FDB2018 | | FDB2165 |
| TANGO 250 | 250 | 2008 | → 2011 | FDB2074 | | FRP405 |
| TANGO 250 | 250 | 2012 | → 2013 | FDB2242 | | |
| MARATHON 450 | 450 | 2010 | → | FDB2018 | | FDB2165 |
| MARATHON 450 Motard | 450 | 2010 | → | (x2) FRP416 | | FDB2165 |

RIXE

| | | | | | | |
|---------|----|---|------|--------|--|--|
| RS 80 W | 80 | → | (x2) | FDB213 | | |
|---------|----|---|------|--------|--|--|

* It is recommended that in those applications where sintered pads are supplied as Original Equipment, replacement pads should also be of sintered composition.

** To avoid brake imbalance sintered pads fitted in rear calipers should only be used in combination with front calipers containing sintered pads.



CC FROM → TO



NOTES



NOTES

RIZZATO

| | | | | | |
|-----------------------------------|----|--------|--|---------------|---------------|
| ATALA CALIFFONE 50 (alloy wheels) | 50 | → | | FSB907 | FSB907 |
| ATALA CALIFFONE 50 (spoke wheels) | 50 | → | | FSB910 | FSB910 |
| ATALA CAROSELLO 50 | 50 | 1997 → | | FDB697 | |
| ATALA HACKER 50 | 50 | 1995 → | | FDB680 | FSB777 |
| ATALA MASTER 50 (alloy wheels) | 50 | → | | FSB907 | FSB907 |
| ATALA UNO 50 (spoke wheels) | 50 | → | | FSB902 | FSB902 |

SACHS

| | | | | | |
|--------------------|-----|-------------|--|---------------|---------------|
| ROADSTER 125 | 125 | 2000 → 2003 | | FDB706 | FSB733 |
| XTC 125 SUPERSPORT | 125 | 2000 → | | FDB498 | FDB828 |
| ZX 125 | 125 | 2001 → | | FDB677 | FDB828 |
| ROADSTER 650 | 650 | 2001 → | | FDB498 | FDB383 |
| ROADSTER 800 | 800 | 2001 → (x2) | | FDB498 | FSB784 |

SCORPA

| | | | | | |
|--------------------------|-----|-------------|--|----------------|----------------|
| SR 125 (2T) | 125 | 2010 → 2011 | | | FDB2127 |
| SR 125 Long Ride (2T) | 125 | 2010 → 2011 | | | FDB2127 |
| SY 125 (4T) Long Ride | 125 | 2009 → 2010 | | | FDB2127 |
| T-Ride 125 F (Enduro) | 125 | 2010 → | | FDB2242 | FDB2128 |
| TY 125 (4T) | 125 | 2011 → 2012 | | | FDB2127 |
| SY 200 F (4T) (163cc) | 200 | 2008 → | | | FDB2127 |
| SY 250 F (4T) Long Ride | 250 | 2007 → 2008 | | | FDB2127 |
| SY 250 FR (4T) Long Ride | 250 | 2010 → | | | FDB2127 |
| T-Ride 250 F (Enduro) | 250 | 2008 → 2011 | | FDB2242 | FDB2128 |
| SR 280 (2T) | 280 | 2009 → 2012 | | | FDB2127 |
| SR 280 (2T) Long Ride | 280 | 2009 → 2011 | | | FDB2127 |
| Raidster 660 | 660 | 2007 → | | FDB2042 | FDB2127 |

SHERCO

| | | | | | |
|--|-----|-------------|--|----------------|----------------|
| Enduro 50c (2T)/Urban/SU - Spoke wheel models) | 50 | 2008 → 2010 | | FDB706 | FDB2128 |
| Enduro 50cc (2T) | 50 | 2002 → 2007 | | FDB706 | FDB2107 |
| SM 0.5cc Black Panther | 50 | 2008 → 2010 | | FDB2106 | FDB2128 |
| SU 50 (2T) Urban Base - Cast wheel model) | 50 | 2010 → | | FDB384 | FDB2128 |
| Supermotard 50cc (2T) | 50 | 2002 → 2007 | | FDB706 | FDB2107 |
| Trials 0.8 (2T) | 80 | 2001 → 2004 | | FDB2107 | FDB2127 |
| Trials 0.8 (2T) | 80 | 2005 → 2010 | | FDB2109 | FDB2127 |
| City Corp 125 (All models) | 125 | 2003 → 2007 | | FDB706 | FDB2107 |
| City Corp 125 (All models) | 125 | 2008 → | | FDB2106 | FDB2128 |
| SE 1.25 F Enduro (4T) | 125 | 2010 → | | FDB2106 | FDB2128 |
| SM 1.25 i F Black Panther (4T) | 125 | 2010 → | | FDB2106 | FDB2128 |
| Trials 1.25cc (2T) | 125 | 1999 → 2005 | | FDB2107 | FDB2107 |
| Trials 1.25cc (2T) | 125 | 2006 → 2011 | | FDB2109 | FDB2127 |
| Trials 2.0cc (2T) | 200 | 1999 → 2005 | | FDB2107 | FDB2107 |
| Enduro 2.5i (4T) Inc. SE Models | 250 | 2008 → 2011 | | FDB2018 | FDB2162 |
| SM 2.5i Supermotard (4T) | 250 | 2008 → | | FDB2018 | FDB2162 |
| SX 2.5i F Moto Cross | 250 | 2010 → | | FDB2018 | FDB2162 |
| Trials 2.5 (2T) | 250 | 1999 → 2005 | | FDB2107 | FDB2107 |
| Trials 2.5 (2T) | 250 | 2006 → 2011 | | FDB2109 | FDB2127 |
| Trials 2.9 (2T) | 290 | 1999 → 2005 | | FDB2107 | FDB2107 |
| Trials 2.9 (2T) | 290 | 2006 → 2011 | | FDB2109 | FDB2127 |
| Enduro SE 3.0i (4T) | 300 | 2010 → 2011 | | FDB2018 | FDB2162 |
| Trials 3.2cc (4T) | 320 | 2005 → 2011 | | FDB2109 | FDB2127 |
| Enduro 4.5i (4T) Inc SE Models | 450 | 2004 → 2011 | | FDB2018 | FDB2162 |
| SM 4.5i F (Black Panther) | 450 | 2008 → 2010 | | FDB2120 | FDB2162 |
| SM 4.5i F (Supermotard) | 450 | 2004 → 2010 | | FDB2018 | FDB2162 |
| Enduro 5.1iF Inc SE Models | 510 | 2007 → 2011 | | FDB2018 | FDB2162 |
| SM 5.1i F Black Panther | 510 | 2008 → 2010 | | FDB2120 | FDB2162 |
| SM 5.1i F Supermotard | 510 | 2007 → | | FDB2018 | FDB2162 |

SIMSON

| | | | | | |
|----------------|----|--------|--|---------------|--|
| SR 50 /1 GAMMA | 50 | 1994 → | | FRP405 | |
| SR 50 GAMMA E | 50 | 1994 → | | FRP405 | |
| SR 50 XC/XCE | 50 | → | | FRP405 | |
| SR 80 /1 GAMMA | 80 | 1994 → | | FRP405 | |
| SR 80 XCE | 80 | → | | FRP405 | |

* It is recommended that in those applications where sintered pads are supplied as Original Equipment, replacement pads should also be of sintered composition.

** To avoid brake imbalance sintered pads fitted in rear calipers should only be used in combination with front calipers containing sintered pads.



CC FROM → TO



NOTES



NOTES

SINNIS

| | | | | | | | |
|---|-----|------|---|------|---------|--|---------|
| Pioneer 125 | 125 | 2009 | → | 2010 | | | FSB733 |
| QM 125 GY Apache 125 (Rear drum model) | 125 | 2009 | → | 2010 | FDB497 | | FSB721 |
| QM 125 GY-2B (A) Apache 125 (Rear disc model) | 125 | 2009 | → | 2010 | FDB497 | | FDB250 |
| QM 125 GY-2B Blade 125 | 125 | 2009 | → | 2010 | FDB497 | | FDB250 |
| QM 125- 2 D Stealth 125 Left | 125 | 2008 | → | 2010 | FDB497 | | FDB531 |
| QM 125- 2 D Stealth 125 Right | 125 | 2008 | → | 2010 | FDB2087 | | |
| QM 125-2 C Vista 125 | 125 | 2008 | → | 2010 | | | FSB736 |
| QM 125-2 V Max 125 | 125 | 2008 | → | 2010 | FDB2003 | | FSB733 |
| Trackstar 125 (4T) | 125 | 2011 | → | 2012 | | | FSB721 |
| Grampus 250 | 250 | 2010 | → | | FDB2087 | | FDB2074 |

SUZUKI

| | | | | | | | |
|--|----|------|---|------|---------|--|---------|
| adaptable to 130x28 front and rear drums | | | → | | FSB787 | | FSB787 |
| ADRESS 50 | 50 | 1990 | → | 1991 | FSB792 | | FSB792 |
| ADRESS 50 | 50 | 1992 | → | 1995 | FDB313 | | FSB792 |
| ADRESS 50 (SPAIN) | 50 | | → | | FSB777 | | FSB777 |
| AH 50 | 50 | 1993 | → | 1995 | FSB792 | | FSB792 |
| AP 50 | 50 | 1971 | → | 1978 | FSB722 | | FSB722 |
| AP 50 | 50 | 1995 | → | 2002 | FDB889 | | FSB722 |
| AY 50 KATANA (Brembo caliper) | 50 | 1997 | → | | FDB680 | | FSB777 |
| AY 50 W KATANA | 50 | 1998 | → | | FRP405 | | FSB777 |
| AY 50 WR KATANA | 50 | 1998 | → | | FRP405 | | FSB777 |
| CARNA 50 | 50 | 1990 | → | | FSB727 | | FSB791 |
| CL 50 D LOVE | 50 | 1983 | → | | FSB727 | | FSB726 |
| CL 50 D SUZY | 50 | 1983 | → | | FSB727 | | FSB726 |
| CP 50 | 50 | 1991 | → | 1993 | FSB777 | | FSB777 |
| CP 50 CHF | 50 | 1985 | → | | FSB777 | | FSB777 |
| CS 50 D | 50 | 1983 | → | 1984 | FSB726 | | FSB726 |
| CS 50 Z ROADIE | 50 | 1983 | → | 1984 | FSB726 | | FSB726 |
| DR 50 BIG | 50 | 1989 | → | | FRP405 | | |
| F 50 | 50 | 1971 | → | 1973 | FSB722 | | FSB722 |
| F 50 SUZY | 50 | | → | | FSB727 | | FSB727 |
| FR 50 | 50 | 1971 | → | 1981 | FSB722 | | FSB722 |
| FS 50 T - X SNIP | 50 | 1981 | → | 1982 | FSB727 | | FSB727 |
| FZ 50 N - X SUZY | 50 | 1980 | → | 1982 | FSB720 | | FSB720 |
| GT 50 | 50 | 1977 | → | 1980 | | | FSB722 |
| JR 50 | 50 | 1993 | → | 2003 | FSB775 | | |
| LIDO 50 | 50 | 1989 | → | 1990 | FSB777 | | FSB777 |
| OR 50 | 50 | 1980 | → | | FDB314 | | FSB723 |
| RG 50 GAG - GAMMA | 50 | 1987 | → | | FDB338 | | FSB728 |
| RM 50 C - N - T | 50 | 1978 | → | 1980 | FSB722 | | FSB722 |
| RM 50 X - Z 50 | 50 | 1981 | → | 1982 | FSB723 | | FSB723 |
| RME 50 R | 50 | 2010 | → | | | | FDB2139 |
| RMX 50 | 50 | 2000 | → | 2001 | FRP405 | | FRP405 |
| S 50 K | 50 | 1993 | → | | FSB728 | | FSB720 |
| SEPIA 50 | 50 | 1992 | → | 1995 | FDB313 | | FSB777 |
| SEPIA AU 50 ZZ | 50 | 1996 | → | 1998 | FDB313 | | FSB792 |
| SMX 50 SUPER MOTARD | 50 | 2000 | → | 2003 | FRP405 | | FRP405 |
| TR 50 STREET MAGIC | 50 | 1998 | → | 2000 | FDB2133 | | FSB883 |
| TS 50 D all models | 50 | 1979 | → | | FSB722 | | FSB722 |
| TS 50 XKE-XKG all models | 50 | 1984 | → | 2000 | FSB729 | | FSB723 |
| TUNE 50 | 50 | 1993 | → | 1995 | FDB313 | | FSB792 |
| UF 50 ESTILETE | 50 | 2000 | → | 2002 | FRP405 | | FSB777 |
| UX 50 ZILLION | 50 | 1998 | → | 2002 | FRP405 | | FSB777 |
| ZR 50 KEN - KEX | 50 | 1979 | → | | | | FSB722 |
| ZR 50 SKX - SLKX | 50 | 1981 | → | 1987 | FDB314 | | FSB723 |
| ZZ 50 | 50 | 1992 | → | 1995 | FDB313 | | FSB777 |
| RM 65 | 65 | 2003 | → | | FDB2110 | | FDB381 |
| DR-Z 70 | 70 | 2008 | → | | FSB702 | | FSB702 |
| FR 70 | 70 | 1974 | → | | FSB722 | | FSB722 |
| LIDO 75 | 75 | 1989 | → | | FDB313 | | FSB777 |
| 3 E 80 | 80 | | → | | FDB314 | | FSB722 |
| AH 80 | 80 | 1992 | → | 1994 | FDB313 | | FSB777 |
| CP 80 CHF | 80 | 1985 | → | 1993 | FSB777 | | FSB777 |
| CS 80 CD | 80 | 1983 | → | | FSB720 | | FSB720 |
| DS 80 | 80 | 1993 | → | 2000 | FSB723 | | FSB723 |
| FR 80 all models | 80 | 1976 | → | 1983 | FSB722 | | FSB722 |
| GT 80 L | 80 | 1981 | → | | FDB314 | | FSB722 |
| RG 80 GAMMA | 80 | 1988 | → | 1993 | FDB437 | | FSB721 |
| RG 80 GAMMA | 80 | 2000 | → | | FDB314 | | FSB721 |
| RM 80 L/M | 80 | 1990 | → | 1994 | FDB313 | | FDB313 |

* It is recommended that in those applications where sintered pads are supplied as Original Equipment, replacement pads should also be of sintered composition.

** To avoid brake imbalance sintered pads fitted in rear calipers should only be used in combination with front calipers containing sintered pads.



CC

FROM → TO



NOTES



NOTES

...SUZUKI

| | | | | |
|----------------------------|-----|-------------|---------|---------|
| RM 80 N - B - C | 80 | 1977 → 1979 | FSB722 | FSB722 |
| RM 80 X | 80 | 1986 → 1989 | FDB313 | FSB764 |
| RM 80 X - D - E | 80 | 2000 → | FSB721 | FSB723 |
| RM 80 XD - XE - XF - XZ | 80 | 1981 → 1985 | FSB783 | FSB764 |
| RM 80 XT - XX | 80 | 1980 → 1981 | FSB723 | FSB723 |
| RM 80 XT- XV - X | 80 | 1996 → 2001 | FDB2133 | FDB313 |
| TS 80 X | 80 | 1984 → | FSB729 | FSB720 |
| RM 85 L | 85 | 2002 → 2004 | FDB2133 | FDB313 |
| RM 85 L | 85 | 2005 → | FDB2080 | FDB2197 |
| TS 90 | 90 | 1971 → 1973 | FSB722 | FSB721 |
| A 100 all models | 100 | 1974 → 1980 | FSB722 | FSB722 |
| ADRESS 100 V | 100 | 1992 → 1996 | FDB313 | FSB883 |
| GP 100 C - DEN - N - X | 100 | 1978 → 1987 | FDB314 | FSB722 |
| GP 100 UD - UN - UX | 100 | 1979 → 1992 | FSB721 | FSB722 |
| RM 100 A - B - C | 100 | 1976 → 1978 | FSB722 | FSB721 |
| RM 100 N-T-X | 100 | 1979 → 1981 | FSB722 | FSB728 |
| TS 100 A - B - C | 100 | 1975 → 1981 | FSB721 | FSB721 |
| TS 100 ERN - ERT - ERX | 100 | 1975 → 1981 | FSB721 | FSB721 |
| TS 100 ERZ | 100 | 1982 → 1987 | FSB721 | FSB723 |
| TS 100 K - L - M | 100 | 1973 → 1975 | FSB722 | FSB721 |
| UG 110 HOKUTO | 110 | 2000 → 2004 | FDB2133 | FSB883 |
| ADRESS 125 | 125 | 2008 → | FDB2087 | FSB724 |
| AN 125 | 125 | 1995 → 2000 | FDB2133 | FSB777 |
| CS 125 D | 125 | 1983 → | FSB722 | FSB722 |
| DR 125 S | 125 | 1986 → 1993 | FDB250 | FSB721 |
| DR 125 SD - SZ | 125 | 1982 → 1984 | FSB721 | FSB721 |
| DR 125 SM | 125 | 2008 → | FDB892 | FDB2162 |
| DR-Z 125 | 125 | 2003 → 2008 | FSB721 | FSB721 |
| DR-Z 125 | 125 | 2003 → | FDB2133 | FSB721 |
| ER 125 | 125 | → | FSB721 | FSB721 |
| GN 125 | 125 | 1983 → 1993 | FDB384 | FSB721 |
| GN 125 R | 125 | 1994 → 2001 | FDB314 | FSB721 |
| GP 125 X - XD | 125 | 1977 → 1984 | → | FSB721 |
| GS 125 D | 125 | 1982 → 1984 | FSB721 | FSB721 |
| GS 125 E - KATANA | 125 | 1990 → 1994 | FDB384 | FSB721 |
| GS 125 ESD | 125 | 1983 → 1994 | FDB384 | FSB721 |
| GS 125 ESR / ESX | 125 | 1995 → 2000 | FDB314 | FSB721 |
| GS 125 ESZ | 125 | 1982 → | FDB314 | FSB721 |
| GS 125 Z | 125 | 1982 → 1984 | FSB721 | FSB721 |
| GT 125 N - EN | 125 | 1974 → | → | FSB721 |
| GZ 125 MARAUDER | 125 | 2000 → | FDB404 | FSB721 |
| LIDO 125 VARIO | 125 | 1990 → 1993 | FDB313 | FSB777 |
| RG 125 E | 125 | 1982 → 1984 | FDB314 | FSB721 |
| RG 125 T - FV | 125 | 1992 → 1996 | FDB574 | FDB607 |
| RG 125 U WOLF | 125 | 1992 → 1994 | FDB481 | FDB607 |
| RG 125 W GAMMA | 125 | 1985 → 1991 | FDB437 | FSB721 |
| RM 125 | 125 | 2009 → | FDB892 | FDB2162 |
| RM 125 A - B - C - M | 125 | 1975 → 1978 | FSB721 | FSB721 |
| RM 125 D - X - Z | 125 | 1981 → 1983 | FSB721 | FSB786 |
| RM 125 E | 125 | 1984 → 1984 | FSB778 | FSB786 |
| RM 125 E | 125 | 2009 → | FDB892 | FDB2162 |
| RM 125 F - G | 125 | 1985 → 1986 | FDB404 | FSB786 |
| RM 125 H | 125 | 1987 → | FDB497 | FSB786 |
| RM 125 J | 125 | 1988 → | FDB497 | FDB661 |
| RM 125 K - L - M | 125 | 1989 → 1995 | FDB497 | FDB659 |
| RM 125 N | 125 | 1979 → 1980 | FSB721 | FSB729 |
| RM 125 N - T | 125 | 1979 → 1980 | FSB721 | FSB728 |
| RM 125 T- U - V | 125 | 1996 → 1998 | FDB892 | FDB539 |
| RM 125 X - Y - K1 | 125 | 1999 → 2008 | FDB892 | FDB539 |
| RM 125 X - Z | 125 | 1981 → 1983 | FSB721 | FSB786 |
| RV 125 A - L - M | 125 | 1974 → 1976 | FSB721 | FSB721 |
| RV 125 K | 125 | 1973 → | FSB722 | FSB721 |
| RV 125 K2/ K3 / K4 VAN VAN | 125 | 2002 → | FDB2049 | FSB722 |
| SM 125 | 125 | 2010 → | FDB892 | FDB2162 |
| T 125 STINGER | 125 | 1970 → 1971 | FSB721 | FSB721 |
| TS 125 | 125 | 1990 → 1996 | FDB497 | FDB250 |
| TS 125 A - B - C - C2 | 125 | 1973 → 1981 | FSB721 | FSB721 |
| TS 125 ERN - ERT - ERX | 125 | 1973 → 1981 | FSB721 | FSB721 |
| TS 125 ERZ - FFS | 125 | 1982 → 1983 | FSB721 | FSB723 |
| TS 125 K | 125 | 1972 → 1972 | FSB722 | FSB721 |
| TS 125 L | 125 | 1973 → 1981 | FSB721 | FSB721 |
| TS 125 L - LC - XE | 125 | 1984 → 1987 | FSB721 | FSB729 |

* It is recommended that in those applications where sintered pads are supplied as Original Equipment, replacement pads should also be of sintered composition.

** To avoid brake imbalance sintered pads fitted in rear calipers should only be used in combination with front calipers containing sintered pads.



CC

FROM → TO



NOTES



NOTES

...SUZUKI

| | | | | |
|------------------------------|-----|------------------|---------|---------|
| TS 125 M - N | 125 | 1973 → 1984 | FSB721 | FSB721 |
| TS 125 RK | 125 | 1989 → | FDB250 | FDB659 |
| TS 125 X | 125 | 1988 → | FDB250 | FSB728 |
| TX 125 XF | 125 | 1985 → | FDB250 | FSB729 |
| UE - 125 EPICURO | 125 | 1998 → 2000 | FDB2133 | FSB957 |
| UE - 125 EPICURO | 125 | 2001 → 2002 | FDB2133 | FDB2133 |
| UH 125 BURGMAN | 125 | 2007 → 2013 | FDB2196 | FDB2148 |
| UH 125 BURGMAN | 125 | 2007 → | FDB2196 | FDB2148 |
| VAN VAN 125 (RV) | 125 | 2010 → | FDB2049 | FSB722 |
| VL 125 INTRUDER | 125 | 2000 → | FDB404 | FSB721 |
| X4 125 | 125 | → | FDB314 | FSB721 |
| AN 150 | 150 | 1997 → 2000 | FDB404 | FSB777 |
| UC 150 EPICURO | 150 | 1998 → 2000 | FDB2133 | FSB957 |
| UC 150 EPICURO | 150 | 2001 → 2002 | FDB2133 | FDB2133 |
| PE 175 C - CE2 - N | 175 | 1978 → 1979 | FSB721 | FSB721 |
| PE 175 T - X | 175 | 1980 → 1981 | FSB721 | FSB775 |
| PE 175 Z | 175 | 1982 → | FSB776 | FSB775 |
| GT 185 A - B - C | 185 | 1974 → 1979 | | FSB721 |
| GT 185 EC - L - M | 185 | 1974 → 1979 | | FSB721 |
| TS 185 B - C | 185 | 1974 → 1981 | FSB721 | FSB721 |
| TS 185 ERN - ERT - ERX | 185 | 1974 → 1981 | FSB721 | FSB721 |
| TS 185 K | 185 | 1973 → 1973 | FSB722 | FSB721 |
| TS 185 L - M | 185 | 1974 → 1981 | FSB721 | FSB721 |
| DR 200 | 200 | 2000 → | FDB250 | |
| DR 200 K | 200 | 1989 → 1998 | FDB250 | FSB721 |
| GT 200 EN - EX | 200 | 1979 → 1982 | FDB178 | FSB721 |
| GT 200 X 5 | 200 | 1979 → 1982 | FDB178 | FSB721 |
| RG 200 GAMMA | 200 | 1993 → 1994 | FDB574 | FDB607 |
| RG 200 WOLF | 200 | 1993 → 1994 | FDB481 | FDB607 |
| SB 200 N - X | 200 | 1979 → 1981 | FSB724 | FSB721 |
| TS 200 R | 200 | 1990 → 1994 | FDB497 | FDB659 |
| UH 200 BURGMAN | 200 | 2007 → 2013 | FDB2196 | FDB2148 |
| TS 240 X | 240 | 1988 → 1990 | FDB661 | FSB728 |
| 250 BANDIT | 250 | 1990 → | FDB481 | FDB338 |
| ACROSS 250 | 250 | 1990 → | FDB481 | FDB338 |
| AN 250 BURGMAN K1/K2 | 250 | 2001 → 2002 | FDB497 | FDB2132 |
| AN 250 BURGMAN W/X/Y | 250 | 1996 → 2002 | FDB2085 | FDB2086 |
| COBRA 250 | 250 | 1989 → | FDB574 | FDB338 |
| COBRA 250 | 250 | 1990 → | FDB574 | FDB338 |
| DJEBEL 250 | 250 | 1993 → | FDB497 | FDB659 |
| DR 250 | 250 | 1981 → 1982 | FSB721 | FSB721 |
| DR 250 S | 250 | 1983 → 1984 | FSB785 | FSB721 |
| DR 250 S | 250 | 1985 → | FDB673 | FSB721 |
| DR 250 S | 250 | 1986 → 1989 | FDB250 | FSB721 |
| DR 250 S | 250 | 1990 → 2000 | FDB497 | FDB659 |
| GF 250 S | 250 | 1986 → (x2) | FDB390 | FDB338 |
| GN 250 | 250 | 1993 → 1997 | FDB218 | FSB721 |
| GN 250 F / J | 250 | 1983 → 1997 | FDB218 | FSB725 |
| GNX 250 E | 250 | 1983 → | FDB218 | FSB725 |
| GOOSE 250 | 250 | 1992 → | FDB574 | FDB338 |
| GS 250 E | 250 | 1979 → 1981 | FDB218 | FSB725 |
| GS 250 FW | 250 | 1984 → | FDB338 | FDB338 |
| GS 250 T - TT - TX | 250 | 1979 → 1981 | FDB218 | FSB725 |
| GSF 250 BANDIT | 250 | 1990 → (x2) | FDB481 | FDB338 |
| GSX 250 E - ET - EX - EZ - T | 250 | 1979 → | FDB218 | FSB725 |
| GSX 250 S | 250 | 1985 → 1990 | FDB218 | FSB725 |
| GSX 250 S KATANA | 250 | 1991 → (x2) | FDB481 | FDB338 |
| GSX-R 250 | 250 | 1987 → 1988 (x2) | FDB389 | FDB338 |
| GSX-R 250 R - R/SP | 250 | 1989 → (x2) | FDB574 | FDB338 |
| GT 250 A - B - C | 250 | 1973 → 1978 | | FSB773 |
| GT 250 EN - ET - EX | 250 | 1978 → | FDB178 | FSB725 |
| GT 250 K - L - M | 250 | 1973 → 1978 | | FSB773 |
| GT 250 X7 | 250 | 1978 → | FDB178 | FSB725 |
| GZ 250 MARAUDER | 250 | 2000 → | FDB404 | FSB721 |
| Imazuma 250 | 250 | 2013 → | FDB570 | FDB754 |
| PE 250 B - C | 250 | 1977 → 1978 | FSB724 | FSB724 |
| PE 250 N | 250 | 1979 → 1979 | FSB722 | FSB722 |
| PE 250 T | 250 | 1980 → 1980 | FSB724 | FSB724 |
| PE 250 X - Z | 250 | 1981 → 1982 | FSB722 | FSB724 |
| RG 250 W GAMMA | 250 | 1984 → 1987 | FDB390 | FDB338 |
| RG 250 W GAMMA | 250 | 2000 → (x2) | FDB338 | FDB338 |
| RGV 250 | 250 | 1993 → (x2) | FDB574 | FDB607 |

* It is recommended that in those applications where sintered pads are supplied as Original Equipment, replacement pads should also be of sintered composition.

** To avoid brake imbalance sintered pads fitted in rear calipers should only be used in combination with front calipers containing sintered pads.



CC

FROM → TO



NOTES



NOTES

...SUZUKI

| | | | | |
|-------------------------------|-----|-------------|-------------|---------|
| RGV 250 | 250 | 1994 → 1996 | (x2) FDB574 | FDB508 |
| RGV 250 R | 250 | 1988 → | (x2) FDB557 | FDB338 |
| RGV 250 R | 250 | 1989 → | (x2) FDB574 | FDB338 |
| RGV 250 R | 250 | 1990 → 1992 | (x2) FDB574 | FDB508 |
| RH 250 X | 250 | 1987 → | FDB250 | |
| RM 250 | 250 | 1991 → 1992 | FDB497 | FDB659 |
| RM 250 | 250 | 2000 → 2008 | FDB892 | FDB539 |
| RM 250 | 250 | 2009 → | FDB892 | FDB2162 |
| RM 250 A - B - C | 250 | 1976 → 1978 | FSB721 | FSB724 |
| RM 250 D | 250 | 1983 → | FSB778 | FSB786 |
| RM 250 E | 250 | 1984 → | FSB778 | FSB776 |
| RM 250 F - IG - G | 250 | 1985 → 1986 | FDB404 | FSB776 |
| RM 250 H | 250 | 1987 → 1988 | FDB497 | FDB661 |
| RM 250 K - L - M | 250 | 1989 → 1994 | FDB497 | FDB659 |
| RM 250 N | 250 | 1979 → | FSB724 | FSB785 |
| RM 250 R-S | 250 | 1993 → 1995 | FDB497 | FDB659 |
| RM 250 T | 250 | 1980 → | FSB776 | FSB785 |
| RM 250 T/V | 250 | 1996 → 1999 | FDB892 | FDB539 |
| RM 250 XZ | 250 | 1981 → 1982 | FSB779 | FSB786 |
| RM-Z 250 | 250 | 2004 → 2008 | FDB892 | FDB2162 |
| RM-Z 250 / E | 250 | 2009 → | FDB892 | FDB2162 |
| RMX 250 | 250 | 2000 → 2002 | FDB892 | FDB659 |
| RMX 250 RP | 250 | 1989 → 1995 | FDB497 | FDB659 |
| RMX 250 T/V | 250 | 1996 → 1998 | FDB892 | FDB659 |
| SKY WAVE 250 (type II) | 250 | 1998 → | FDB2085 | FDB2086 |
| SW1 250 | 250 | 1992 → | FDB481 | |
| TS 250 all models | 250 | 1974 → 1982 | FSB724 | FSB724 |
| TS 250 X all models 250 | 250 | 1986 → 1989 | FDB250 | FSB724 |
| TU 250 X | 250 | 1997 → 2000 | FDB404 | FSB721 |
| VL 250 INTRUDER | 250 | 2000 → 2001 | FDB404 | FSB721 |
| VOLTY 250 | 250 | 1995 → 2000 | FDB404 | |
| WOLF 250 | 250 | 1990 → | FDB529 | FDB338 |
| DR 350 | 350 | 1990 → | FDB497 | FDB659 |
| DR 350 S-SH-SE | 350 | 1993 → 1997 | FDB497 | FDB659 |
| GOOSE 350 | 350 | 1992 → | FDB574 | FDB338 |
| SP 370 C - N | 370 | 1977 → | FSB724 | FSB724 |
| GT 380 | 380 | 2000 → | | FSB773 |
| GT 380 A - B - K | 380 | 1973 → 1977 | | FSB773 |
| GT 380 L - M | 380 | 1973 → 1977 | | FSB773 |
| 400 BURGMAN | 400 | 1998 → | FDB2085 | FDB2086 |
| 400 BURGMAN | 400 | 2006 → 2007 | FDB2087 | |
| 400 BURGMAN BUSINESS | 400 | 2001 → | FDB2085 | FDB2132 |
| AN 400 BURGMAN ABS (left) | 400 | 2009 → | FDB497 | |
| AN 400 BURGMAN ABS (right) | 400 | 2009 → | FDB631 | FDB2173 |
| AN 400 BURGMAN NO ABS (left) | 400 | 2007 → | FDB497 | |
| AN 400 BURGMAN NO ABS (right) | 400 | 2007 → | FDB631 | FDB2173 |
| DR 400 ST - SX | 400 | 1979 → 1981 | FSB724 | FSB724 |
| DR-Z 400 S - E - SM | 400 | 2000 → | FDB892 | FDB539 |
| GN 400 TT | 400 | 1980 → | FDB218 | FSB725 |
| GS 400 B - C | 400 | 1977 → 1978 | FDB150 | FSB773 |
| GSF 400 BANDIT | 400 | 1991 → 1992 | (x2) FDB481 | FDB338 |
| GSF 400 BANDIT | 400 | 1993 → 1994 | (x2) FDB574 | FDB338 |
| GSF 400 BANDIT | 400 | 1995 → 1997 | (x2) FDB570 | FDB338 |
| GSF 400 S KATANA | 400 | 1989 → 1990 | FDB574 | FDB338 |
| GSX 400 ET - EX - EZ | 400 | 1980 → 1983 | FDB218 | FSB725 |
| GSX 400 F (FOUR) FZ | 400 | 1981 → 1983 | FDB314 | |
| GSX 400 FD | 400 | 1981 → 1983 | FDB314 | |
| GSX 400 FWS - D - E | 400 | 1983 → | (x2) FDB338 | FDB338 |
| GSX 400 IMPULSE | 400 | 1994 → 1996 | (x2) FDB570 | FDB338 |
| GSX 400 KATANA | 400 | 1989 → 1992 | (x2) FDB574 | FDB338 |
| GSX 400 L | 400 | 1980 → 1983 | FDB218 | FSB725 |
| GSX 400 R I/II | 400 | 1985 → 1986 | (x2) FDB390 | FDB338 |
| GSX 400 S | 400 | 1983 → | (x2) FDB338 | FDB338 |
| GSX 400 TWIN | 400 | 1980 → 1983 | FDB218 | FSB725 |
| GSX 400 TX - LX | 400 | 1981 → 1983 | FDB218 | FSB773 |
| GSX 400 X IMPULSE 400 | 400 | 1986 → 1988 | (x2) FDB389 | FDB338 |
| GSX-R 400 | 400 | 1990 → | FDB605 | FDB338 |
| GSX-R 400 (III-IV) | 400 | 2000 → | (x2) FDB389 | FDB338 |
| GSX-R 400 (V) | 400 | 1989 → 1990 | FDB574 | FDB338 |
| GSX-R 400 (JAPAN) | 400 | 1985 → | (x2) FDB338 | FDB390 |
| GSX-R 400 R | 400 | 1990 → 1995 | (x2) FDB557 | FDB338 |
| LS 400 SAVAGE | 400 | 1987 → | FSB724 | FSB724 |

* It is recommended that in those applications where sintered pads are supplied as Original Equipment, replacement pads should also be of sintered composition.

** To avoid brake imbalance sintered pads fitted in rear calipers should only be used in combination with front calipers containing sintered pads.



CC

FROM → TO



NOTES



NOTES

...SUZUKI

| | | | | | | | |
|---------------------------------|-----|-------------|------|---------|--|---------|--|
| PE 400 T | 400 | 1979 → 1981 | | FSB722 | | FSB724 | |
| PE 400 X | 400 | 1979 → 1981 | | FSB722 | | FSB724 | |
| RF 400 RVC | 400 | 1993 → | | FDB570 | | FDB338 | |
| RG 400 GAMMA | 400 | 1985 → | (x2) | FDB389 | | FDB338 | |
| RM 400 C | 400 | 1978 → 1978 | | FSB721 | | FSB724 | |
| RM 400 N | 400 | 1979 → 1979 | | FSB724 | | FSB785 | |
| RM 400 T | 400 | 1980 → | | FSB776 | | FSB785 | |
| SP 400 | 400 | 1979 → | | FSB724 | | FSB724 | |
| ST 400 | 400 | 1979 → | | FSB724 | | FSB724 | |
| SX 400 | 400 | 1979 → | | FSB724 | | FSB724 | |
| GS 425 EN | 425 | 1978 → 1980 | | FDB150 | | FSB725 | |
| GS 450 ET - L - T | 450 | 1980 → 1980 | | FDB218 | | FSB725 | |
| GS 450 S | 450 | 1987 → | (x2) | FDB314 | | FDB338 | |
| RM-Z 450 | 450 | 2005 → 2007 | | FDB892 | | FDB2162 | |
| RM-Z 450 / E | 450 | 2008 → | | FDB892 | | FDB2162 | |
| RMX 450 E | 450 | 2009 → | | FDB892 | | FDB2162 | |
| SM 450X | 450 | 2009 → | | FDB892 | | FDB2162 | |
| RM 465 X - Z | 465 | 1981 → 1982 | | FSB779 | | FSB776 | |
| DR 500 S | 500 | 1989 → | | FDB673 | | FSB721 | |
| DR 500 SD - SE | 500 | 1983 → | | FSB724 | | FSB724 | |
| GS 500 E - K - FK | 500 | 1996 → | | FDB2049 | | FDB338 | |
| GS 500 E - K - L - M | 500 | 1989 → 1993 | | FDB481 | | FDB338 | |
| GS 500 EK - EL | 500 | 1981 → 1988 | (x2) | FDB178 | | | |
| GT 500 A - B | 500 | 1976 → 1978 | | | | FSB773 | |
| RE 500 S A - M | 500 | 1975 → 1977 | | FDB178 | | FSB782 | |
| RG 500 RF GAMMA | 500 | 1985 → 1987 | (x2) | FDB389 | | FDB338 | |
| RGV 500 GAMMA | 500 | 1990 → | (x2) | FDB574 | | FDB508 | |
| RM 500 | 500 | 1987 → | | FDB497 | | FDB661 | |
| RM 500 D - E | 500 | 1983 → 1984 | | FSB778 | | FSB721 | |
| RM 500 F | 500 | 1985 → 1986 | | FDB404 | | FSB721 | |
| T 500 all models | 500 | 1968 → 1975 | | FSB950 | | FSB773 | |
| GS 550 B - C - D | 550 | 1977 → 1978 | (x2) | FDB178 | | FSB780 | |
| GS 550 EC - EN | 550 | 1978 → 1979 | (x2) | FDB178 | | | |
| GS 550 ET - EX - EZ | 550 | 1980 → 1984 | (x2) | FDB217 | | | |
| GS 550 LT - LX | 550 | 1980 → 1984 | (x2) | FDB217 | | | |
| GS 550 MEX | 550 | 1981 → 1983 | (x2) | FDB217 | | | |
| GS 550 MEZ KATANA | 550 | 1981 → 1983 | (x2) | FDB217 | | | |
| GSX 550 EF - EFE | 550 | 1983 → 1987 | (x2) | FDB338 | | FDB338 | |
| GSX 550 ES - ESE | 550 | 1983 → 1987 | (x2) | FDB338 | | FDB338 | |
| GSX 550 ESD - ES4 | 550 | 1983 → 1987 | (x2) | FDB338 | | FDB338 | |
| GSX 550 ET - EV | 550 | 1987 → | (x2) | FDB338 | | FDB338 | |
| GT 550 | 550 | 2000 → | | | | FSB773 | |
| GT 550 A - B | 550 | 1976 → | | | | FSB780 | |
| GT 550 J | 550 | 1972 → 1972 | | FSB950 | | FSB773 | |
| GT 550 K - L - M | 550 | 1973 → 1975 | | | | FSB773 | |
| DR 600 DJEBEL - DAKAR | 600 | 1989 → | | FDB673 | | FDB607 | |
| DR 600 R DAKAR-DJEBEL | 600 | 1987 → 1988 | | FDB673 | | FSB721 | |
| DR 600 S | 600 | 1989 → | | FDB673 | | FSB721 | |
| DR 600 S - SU | 600 | 1985 → 1986 | | FDB673 | | FSB721 | |
| GSF 600 BANDIT | 600 | 1995 → 1999 | (x2) | FDB570 | | FDB338 | |
| GSF 600 BANDIT (left) | 600 | 2000 → | (x2) | FDB2048 | | FDB338 | |
| GSF 600 BANDIT (right) | 600 | 2000 → | (x2) | FDB2049 | | | |
| GSF 600 BANDIT - KATANA (left) | 600 | 1998 → | (x2) | FDB2048 | | FDB338 | |
| GSF 600 BANDIT - KATANA (right) | 600 | 1998 → | (x2) | FDB2049 | | | |
| GSR 600 /A / ABS | 600 | 2006 → | (x2) | FDB574 | | FDB2213 | |
| GSX 600 F KATANA | 600 | 1988 → 1993 | (x2) | FDB569 | | FDB338 | |
| GSX-R 600 | 600 | 2004 → 2005 | (x2) | FDB2178 | | FDB2111 | |
| GSX-R 600 | 600 | 2006 → 2010 | (x2) | FDB2178 | | FDB2213 | |
| GSX-R 600 | 600 | 2011 → | (x2) | FDB2260 | | FDB2221 | |
| GSX-R 600 (Racing version pad) | 600 | 2011 → | (x2) | FDB2218 | | FDB2221 | |
| GSX-R 600 (Road version pad) | 600 | 2011 → | (x2) | FDB2260 | | FDB2221 | |
| GSX-R 600 - Racing Applications | 600 | 2004 → 2005 | (x2) | FDB2204 | | FDB2111 | |
| GSX-R 600 - Racing Applications | 600 | 2006 → | (x2) | FDB2204 | | FDB2213 | |
| GSX-R 600 F | 600 | 1994 → 1995 | (x2) | FDB570 | | FDB338 | |
| GSX-R 600 V | 600 | 1996 → 2003 | (x2) | FDB574 | | FDB338 | |
| RF 600 RR | 600 | 1993 → 1997 | (x2) | FDB570 | | FDB338 | |
| SP 600 | 600 | 1985 → | | FDB673 | | FSB721 | |
| VS 600 GL INTRUDER | 600 | 1997 → 1999 | | FDB389 | | FSB784 | |
| BANDIT 650 / 650S ABS | 650 | 2008 → | (x2) | FDB574 | | FDB754 | |
| BANDIT 650 FA | 650 | 2012 → | (x2) | FDB574 | | FDB754 | |
| BANDIT 650 S (left) | 650 | 2005 → 2007 | | FDB2048 | | FDB2111 | |
| BANDIT 650 S (right) | 650 | 2005 → 2007 | | FDB2049 | | | |

* It is recommended that in those applications where sintered pads are supplied as Original Equipment, replacement pads should also be of sintered composition.

** To avoid brake imbalance sintered pads fitted in rear calipers should only be used in combination with front calipers containing sintered pads.



CC

FROM → TO



NOTES



NOTES

...SUZUKI

| | | | | | |
|---|-----|-------------|------|---------|---------|
| BURGMAN 650 ABS Executive | 650 | 2004 → 2013 | (x2) | FDB570 | FDB2173 |
| BURGMAN 650 NO ABS | 650 | 2004 → 2013 | (x2) | FDB570 | FDB2173 |
| DL V-STROM 650 (Left) NO ABS | 650 | 2007 → | | FDB2048 | |
| DL V-STROM 650A (Left) ABS/Traveller ABS | 650 | 2007 → | | FDB2048 | |
| DL V-STROM 650A (Right) ABS/Traveller ABS | 650 | 2007 → | | FDB2049 | FDB754 |
| DL V-STROM ABS (Right) NO ABS | 650 | 2007 → | | FDB2049 | FDB754 |
| DR 650 R-RS-RSE-DJEBEL-DAKAR | 650 | 1991 → 1995 | | FDB606 | FDB607 |
| DR 650 RS-R DAKAR | 650 | 1990 → | | FDB673 | FDB607 |
| DR 650 SE | 650 | 1996 → | | FDB892 | FDB539 |
| GR 650 - X | 650 | 1983 → | | FDB217 | FSB725 |
| GS 650 GTX - GTZ - GX | 650 | 1981 → 1983 | (x2) | FDB217 | |
| GS 650 GZ KATANA | 650 | 1981 → 1983 | (x2) | FDB217 | |
| GS 650 TURBO | 650 | 1983 → | (x2) | FDB217 | |
| GS 650 XN - 85 TURBO | 650 | 1983 → | (x2) | FDB217 | |
| GSF 650S | 650 | 2008 → | (x2) | FDB574 | FDB754 |
| GSX 650F | 650 | 2008 → | (x2) | FDB574 | FDB754 |
| LS 650 P | 650 | 1993 → | | FDB673 | FSB725 |
| LS 650 SAVAGE | 650 | 1987 → 1999 | | FDB404 | FSB725 |
| SV 650 - S (left) | 650 | 1999 → 2002 | | FDB2048 | FDB338 |
| SV 650 - S (right) | 650 | 1999 → 2002 | | FDB2049 | |
| SV 650 (left) | 650 | 2003 → | | FDB2048 | FDB754 |
| SV 650 (right) | 650 | 2003 → | | FDB2049 | |
| SVF GLADIUS 650 (Left) NO ABS | 650 | 2009 → 2012 | | FDB2048 | |
| SVF GLADIUS 650 (Right) NO ABS | 650 | 2009 → 2012 | | FDB2049 | FDB2258 |
| SVF GLADIUS 650 ABS (Left) | 650 | 2009 → 2013 | | FDB2048 | |
| SVF GLADIUS 650 ABS (Right) | 650 | 2009 → 2013 | | FDB2049 | FDB2258 |
| XF 650 FREEWIND | 650 | 1997 → 2002 | | FDB2049 | FDB754 |
| GS 700 E - ES | 700 | 1985 → | (x2) | FDB218 | |
| GV 700 GL | 700 | 1985 → | (x2) | FDB218 | FSB782 |
| GV 700 GL MADURA | 700 | 1984 → | (x2) | FDB218 | FSB784 |
| VS 700 GL INTRUDER | 700 | 1985 → | | FDB389 | FSB784 |
| DR 750 S BIG | 750 | 1988 → | | FDB606 | FSB790 |
| DR 750 S BIG | 750 | 1989 → | | FDB606 | FDB607 |
| GS 750 B | 750 | 1976 → 1976 | | FDB150 | |
| GS 750 DB | 750 | 1977 → 1980 | (x2) | FDB150 | |
| GS 750 DL | 750 | 1977 → 1980 | (x2) | FDB150 | |
| GS 750 EC | 750 | 1977 → 1980 | (x2) | FDB150 | |
| GS 750 EN | 750 | 1977 → 1980 | (x2) | FDB150 | |
| GSR 750 (Left) | 750 | 2011 → | | FDB2048 | FDB754 |
| GSR 750 (Right) | 750 | 2011 → | | FDB2049 | |
| GSX 750 EF | 750 | 1987 → | (x2) | FDB389 | FDB338 |
| GSX 750 EFE - ESD - ESG - ESE - SEH - EFF | 750 | 1980 → 1986 | (x2) | FDB218 | |
| GSX 750 ET - EX | 750 | 1980 → 1981 | (x2) | FDB218 | |
| GSX 750 FK/FL/FM/FN/FP/FR/FS/FT/FV | 750 | 1989 → 1997 | (x2) | FDB569 | FDB338 |
| GSX 750 FW/FX/FY/FK1/FK2 (left) | 750 | 1998 → 2006 | | FDB2048 | FDB338 |
| GSX 750 FW/FX/FY/FK1/FK2 (right) | 750 | 1998 → 2006 | | FDB2049 | |
| GSX 750 LIMITED EDITION | 750 | 1986 → | (x2) | FDB389 | FDB338 |
| GSX 750 S KATANA | 750 | 1980 → | (x2) | FDB218 | |
| GSX 750 W/X/Y/K1 (left) | 750 | 1998 → | | FDB2048 | FDB338 |
| GSX 750 W/X/Y/K1 (right) | 750 | 1998 → | | FDB2049 | |
| GSX-R 750 | 750 | 1988 → 1993 | (x2) | FDB557 | FDB338 |
| GSX-R 750 | 750 | 2004 → 2005 | (x2) | FDB2178 | FDB2111 |
| GSX-R 750 | 750 | 2006 → 2010 | (x2) | FDB2178 | FDB2213 |
| GSX-R 750 | 750 | 2011 → | (x2) | FDB2260 | FDB2221 |
| GSX-R 750 (Racing version pad) | 750 | 2011 → | (x2) | FDB2218 | FDB2221 |
| GSX-R 750 (Road version pad) | 750 | 2011 → | (x2) | FDB2260 | FDB2221 |
| GSX-R 750 - Racing Applications | 750 | 2004 → 2005 | (x2) | FDB2204 | FDB2111 |
| GSX-R 750 - Racing Applications | 750 | 2006 → | (x2) | FDB2204 | FDB2213 |
| GSX-R 750 LTD Special Edition | 750 | 1987 → 1988 | (x2) | FDB389 | FDB338 |
| GSX-R 750 W | 750 | 1994 → 1999 | (x2) | FDB873 | FDB338 |
| GSX-R 750 W (Racing Applications) | 750 | 1994 → 1999 | (x2) | FDB2144 | FDB338 |
| GSX-R 750 Y | 750 | 2000 → 2003 | (x2) | FDB574 | FDB338 |
| GT 750 A - B - K - L - M | 750 | 1973 → 1977 | | | FSB782 |
| GT 750 RF | 750 | 1985 → 1986 | (x2) | FDB389 | FDB338 |
| VS 750 INTRUDER (All Models) | 750 | 1985 → 1991 | | FDB389 | FSB784 |
| DR 800 BIG all models | 800 | 1991 → | | FDB481 | FDB631 |
| DR 800 BIG S - SU | 800 | 1990 → | | FDB606 | FDB607 |
| DR 800 Z | 800 | 1988 → 1989 | | FDB606 | FDB661 |
| INTRUDER C800 (VZ 800) | 800 | 2006 → | | FDB2049 | FSB784 |
| INTRUDER C800B | 800 | 2014 → | | FDB2049 | FSB784 |
| INTRUDER M800 (VZ800) | 800 | 2005 → | | FDB2049 | FSB784 |
| VL 800 K1 INTRUDER VOLUSIA | 800 | 2001 → | | FDB2049 | FSB784 |

* It is recommended that in those applications where sintered pads are supplied as Original Equipment, replacement pads should also be of sintered composition.

** To avoid brake imbalance sintered pads fitted in rear calipers should only be used in combination with front calipers containing sintered pads.

1070



CC

FROM → TO



NOTES



NOTES

...SUZUKI

| | | | | | | |
|--|------|------------------|--|---------|--|---------|
| VS 800 GL-N-INTRUDER | 800 | 1992 → 1999 | | FDB389 | | FSB784 |
| VS 800 S INTRUDER | 800 | 1991 → | | FDB673 | | FSB784 |
| VX 800 | 800 | 1990 → 1994 | | FDB481 | | FDB569 |
| VX 800 | 800 | 1995 → | | FDB2048 | | FDB569 |
| VZ 800 MARAUDER / K7 | 800 | 1997 → 2003 | | FDB2049 | | FSB784 |
| GS 850 GN - GT - GX | 850 | 1979 → 1981 (x2) | | FDB178 | | FDB151 |
| GS 850 GZ - GE - GG | 850 | 1982 → 1985 (x2) | | FDB218 | | FDB151 |
| RF 900 RR | 900 | 1994 → 1995 (x2) | | FDB557 | | FDB2058 |
| RF 900 RT - RV | 900 | 1996 → 1999 (x2) | | FDB557 | | FDB338 |
| GS 1000 EC - EN - HC - SN | 1000 | 1978 → 1979 (x2) | | FDB178 | | FDB151 |
| GS 1000 ET | 1000 | 1980 → 1981 (x2) | | FDB217 | | FDB151 |
| GS 1000 GT - GX | 1000 | 1980 → (x2) | | FDB218 | | |
| GSX 1000 S KATANA | 1000 | 1982 → (x2) | | FDB217 | | FDB151 |
| GSX R 1000 | 1000 | 2001 → 2002 (x2) | | FDB873 | | FDB2111 |
| GSX R 1000 (Racing Applications) | 1000 | 2001 → 2002 (x2) | | FDB2144 | | FDB2111 |
| GSX R 1000 K3 | 1000 | 2003 → (x2) | | FDB2164 | | FDB2111 |
| GSX R 1000 K3 - Racing Applications | 1000 | 2003 → (x2) | | FDB2203 | | FDB2111 |
| GSX-R 1000 | 1000 | 2007 → 2008 (x2) | | FDB2178 | | FDB2213 |
| GSX-R 1000 | 1000 | 2009 → 2011 (x2) | | FDB2178 | | FDB2221 |
| GSX-R 1000 | 1000 | 2012 → (x2) | | FDB2218 | | FDB2221 |
| GSX-R 1000 | 1000 | 2012 → (x2) | | FDB2260 | | FDB2221 |
| GSX-R 1000 (Road version pad) | 1000 | 2012 → (x2) | | FDB2260 | | FDB2221 |
| GSX-R 1000 - Racing Applications | 1000 | 2004 → 2008 (x2) | | FDB2204 | | FDB2111 |
| GSX-R 1000 - Racing Applications | 1000 | 2009 → (x2) | | FDB2204 | | FDB2221 |
| GSX-R 1000 Alstare 25 Ann. | 1000 | 2010 → (x2) | | FDB2178 | | FDB2221 |
| GSX-R 1000 Yoshimura 2008 | 1000 | 2010 → (x2) | | FDB2178 | | FDB2213 |
| SV 1000 K3/SK3 | 1000 | 2003 → (x2) | | FDB574 | | FDB754 |
| TL 1000 R | 1000 | 1998 → 2002 (x2) | | FDB873 | | FDB338 |
| TL 1000 SV TWIN | 1000 | 1997 → 2001 (x2) | | FDB574 | | FDB338 |
| V-STROM 1000 | 1000 | 2013 → | | FDB2178 | | FDB2213 |
| V-STROM 1000 (left) (DL 1000) | 1000 | 2002 → | | FDB2048 | | FDB754 |
| V-STROM 1000 (right) (DL 1000) | 1000 | 2010 → | | FDB2049 | | |
| V-STROM 1000 (right) / ABS / DL 1000 T | 1000 | 2007 → | | FDB2049 | | |
| V-STROM 1000 ABS | 1000 | 2014 → (x2) | | FDB2178 | | FDB2213 |
| GS 1100 GZ | 1100 | 1982 → (x2) | | FDB218 | | |
| GSX 1100 E - EF - ES | 1100 | 1980 → 1982 (x2) | | FDB217 | | |
| GSX 1100 E - EF - ES | 1100 | 1984 → 1986 (x2) | | FDB389 | | FDB389 |
| GSX 1100 FK - L - M - N - R | 1100 | 1988 → 1993 (x2) | | FDB569 | | FDB569 |
| GSX 1100 G | 1100 | 1980 → 1982 (x2) | | FDB217 | | |
| GSX 1100 G | 1100 | 1993 → 1996 (x2) | | FDB481 | | FDB508 |
| GSX 1100 GM | 1100 | 1991 → 1992 (x2) | | FDB481 | | FDB338 |
| GSX 1100 S KATANA | 1100 | 1982 → 1983 (x2) | | FDB217 | | |
| GSX-R 1100 | 1100 | 1985 → 1988 (x2) | | FDB389 | | FDB338 |
| GSX-R 1100 K - L - M - N | 1100 | 1989 → 1992 (x2) | | FDB557 | | FDB338 |
| GSX-R 1100 W | 1100 | 1993 → 1996 (x2) | | FDB873 | | FDB338 |
| GSX-R 1100 W (Racing Applications) | 1100 | 1991 → 1996 (x2) | | FDB2144 | | FDB338 |
| GSF 1200 K1/SK1 BANDIT | 1200 | 2001 → (x2) | | FDB873 | | FDB338 |
| GSF 1200 T-ST-V-SV- BANDIT | 1200 | 1995 → 2000 (x2) | | FDB557 | | FDB338 |
| GSX 1200 | 1200 | 1999 → 2000 (x2) | | FDB2042 | | FDB338 |
| GV 1200 GL MADURA | 1200 | 1985 → 1986 (x2) | | FDB218 | | FDB151 |
| GSF 1250 A BANDIT / SA / 1250S ABS | 1250 | 2008 → (x2) | | FDB574 | | FDB754 |
| GSF 1250 S ABS BANDIT | 1250 | 2007 → (x2) | | FDB574 | | FDB754 |
| GSX 1250 FAT | 1250 | 2010 → (x2) | | FDB574 | | FDB754 |
| GSX 1300 B-KING / Hyaku | 1300 | 2007 → (x2) | | FDB2158 | | FDB2213 |
| GSX-R 1300 | 1300 | 2008 → (x2) | | FDB2178 | | FDB2213 |
| GSX-R 1300 HAYABUSA | 1300 | 2008 → (x2) | | FDB2178 | | FDB2213 |
| GSX-R 1300 HAYABUSA | 1300 | 2008 → (x2) | | FDB2178 | | FDB2213 |
| GSX-R 1300 HAYABUSA (Racing Applications) | 1300 | 1999 → 2007 (x2) | | FDB2144 | | FDB338 |
| GSX-R 1300 HAYABUSA ABS (Racing version pad) | 1300 | 2013 → (x2) | | FDB2218 | | FDB2213 |
| GSX-R 1300 HAYABUSA ABS (Road version pad) | 1300 | 2013 → (x2) | | FDB2260 | | FDB2213 |
| B-KING | 1340 | 2010 → (x2) | | FDB2158 | | FDB2213 |
| GSX 1400 | 1400 | 2002 → (x2) | | FDB873 | | FDB2111 |
| GV 1400 | 1400 | 1985 → 1986 (x2) | | FDB389 | | FDB313 |
| GV 1400 CAVALCADE | 1400 | 1987 → 1988 (x2) | | FDB569 | | |
| GV 1400 GD | 1400 | 1985 → 1986 (x2) | | FDB389 | | FDB389 |
| VS 1400 GLPT/GLPV | 1400 | 1996 → 2002 (x2) | | FDB574 | | FDB250 |
| VS 1400 INTRUDER GLP | 1400 | 1987 → 1995 | | FDB389 | | FDB389 |
| INTRUDER C1500 (left) | 1500 | 2005 → 2009 | | FDB2048 | | FDB2163 |
| INTRUDER C1500 (right) | 1500 | 2005 → 2009 | | FDB2049 | | |
| INTRUDER C1500BT | 1500 | 2012 → | | FDB570 | | FDB2049 |
| M1500 INTRUDER | 1500 | 2008 → | | FDB2049 | | FDB2049 |
| VL 1500 | 1500 | 1998 → 2001 (x2) | | FDB389 | | FDB389 |

* It is recommended that in those applications where sintered pads are supplied as Original Equipment, replacement pads should also be of sintered composition.

** To avoid brake imbalance sintered pads fitted in rear calipers should only be used in combination with front calipers containing sintered pads.



CC FROM → TO



NOTES



NOTES

...SUZUKI

| | | | | | | |
|-------------------------------|------|------|---|------|---------|---------|
| VL 1500 K2 (left) | 1500 | 2002 | → | 2003 | FDB2048 | FDB2163 |
| VL 1500 K2 (right) | 1500 | 2002 | → | 2003 | FDB2049 | |
| VZ 1600 MARAUDER | 1600 | 2004 | → | (x2) | FDB873 | FDB2049 |
| M 1800 R-R2-RZ INTRUDER (VRZ) | 1800 | 2006 | → | (x2) | FDB2178 | FDB2049 |
| M 1800 RB INTRUDER (VZR) | 1800 | 2014 | → | (x2) | FDB2178 | FDB2049 |
| VLR 1800 INTRUDER C1800 R/RT | 1800 | 2008 | → | (x2) | FDB2196 | FDB2049 |

SWM

| | | | | | | |
|------------------|-----|------|---|--|--------|--------|
| GS 50 RBS ENDURO | 50 | 1983 | → | | FSB898 | FSB898 |
| MC 50 CROSS | 50 | 1983 | → | | FSB898 | FSB898 |
| MK 50 | 50 | 1983 | → | | FSB898 | FSB898 |
| TL 50 TRIAL | 50 | 2000 | → | | FSB907 | FSB907 |
| TR 50 | 50 | 2000 | → | | FSB907 | FSB907 |
| GS 80 RBS ENDURO | 80 | 1983 | → | | FSB898 | FSB898 |
| MC 80 CROSS | 80 | 1983 | → | | FSB898 | FSB898 |
| MK 80 | 80 | 1983 | → | | FSB898 | FSB898 |
| TL 80 TRIAL | 80 | 2000 | → | | FSB907 | FSB907 |
| TR 80 | 80 | 2000 | → | | FSB907 | FSB907 |
| CROSS 125 | 125 | 2000 | → | | FSB901 | FSB901 |
| ENDURO 125 | 125 | 2000 | → | | FSB901 | FSB901 |
| HW 125 | 125 | 2000 | → | | FSB898 | FSB898 |
| MW 125 TRIAL | 125 | 2000 | → | | FSB898 | FSB898 |
| S1 125 | 125 | 1983 | → | | FDB207 | |
| S2 125 | 125 | 1983 | → | | FDB207 | |
| TL 125 | 125 | 2000 | → | | FSB898 | FSB898 |
| ENDURO 175 | 175 | 2000 | → | | FSB901 | FSB901 |
| HW 240 | 240 | 2000 | → | | FSB898 | FSB898 |
| MW 240 TRIAL | 240 | 2000 | → | | FSB898 | FSB898 |
| TL 240 | 240 | 2000 | → | | FSB898 | FSB898 |
| TRIAL 240 | 240 | 2000 | → | | FSB898 | FSB898 |
| CROSS 250 | 250 | 2000 | → | | FSB901 | FSB901 |
| S1 250 | 250 | 1983 | → | | FDB207 | |
| S2 250 | 250 | 1983 | → | | FDB207 | |
| HW 320 | 320 | 2000 | → | | FSB898 | FSB898 |
| MW 320 TRIAL | 320 | 2000 | → | | FSB898 | FSB898 |
| TL 320 | 320 | 2000 | → | | FSB898 | FSB898 |
| TRIAL 320 | 320 | 2000 | → | | FSB898 | FSB898 |
| ENDURO 347 | 347 | 2000 | → | | FSB901 | FSB901 |
| HW 350 | 350 | 2000 | → | | FSB898 | FSB898 |
| MW 350 TRIAL | 350 | 2000 | → | | FSB898 | FSB898 |
| TL 350 | 350 | 2000 | → | | FSB898 | FSB898 |
| XP 350 SAHARA | 350 | 1983 | → | | FDB108 | |
| CROSS 440 | 440 | 2000 | → | | FSB901 | FSB901 |
| ENDURO 440 | 440 | 2000 | → | | FSB901 | FSB901 |

SYM

| | | | | | | |
|-----------------------------|-----|------|---|------|---------|---------|
| BULLET 50 | 50 | 1993 | → | | FDB2192 | |
| CITY HOPPER 50 | 50 | 1999 | → | 2002 | FDB625 | FSB704 |
| DD 50 CITY TREK | 50 | 2002 | → | | FDB625 | FSB704 |
| FEEL BIG 50 | 50 | 1998 | → | 2002 | FDB2192 | |
| FIDDLE 50 | 50 | 1999 | → | | FSB704 | FSB703 |
| JET 50 | 50 | 1999 | → | | FDB2190 | FSB788 |
| JUNGLE 50 | 50 | 1999 | → | 2002 | FDB2190 | FSB788 |
| MASK 50 | 50 | 2000 | → | | FDB2190 | FSB788 |
| PURE 50 | 50 | 1998 | → | 2002 | FDB2192 | |
| RED DEVIL 50 | 50 | 1999 | → | | FDB2190 | FSB788 |
| RS 50 | 50 | 2004 | → | | FDB2108 | |
| SHARK 50 | 50 | 1999 | → | 2003 | FDB2108 | FSB960 |
| SUPER FANCY 50 | 50 | 1996 | → | 2002 | FDB625 | FSB788 |
| SUPER FANCY 50 (G5H-6/H325) | 50 | 1996 | → | 2002 | FDB2190 | FSB788 |
| CINDERELLA 50 / 100 | 100 | 1999 | → | 2000 | FDB625 | FSB704 |
| JET 100 | 100 | 1999 | → | | FDB2190 | FSB788 |
| SR 100 SUNRISE | 100 | 1998 | → | | FDB539 | |
| ATTILA 125 | 125 | 1999 | → | 2000 | FDB2190 | FSB960 |
| Cevalo B9A (125cc -4T) | 125 | 2010 | → | | FDB570 | |
| EURO MX 125 | 125 | 2002 | → | | FDB2108 | FSB960 |
| GTS 125 | 125 | 2006 | → | 2009 | FDB2226 | FDB2226 |
| GTS 125 i | 125 | 2010 | → | | FDB2141 | FDB2226 |
| HD 125 | 125 | 2004 | → | 2007 | FDB2096 | FSB960 |

* It is recommended that in those applications where sintered pads are supplied as Original Equipment, replacement pads should also be of sintered composition.

** To avoid brake imbalance sintered pads fitted in rear calipers should only be used in combination with front calipers containing sintered pads.



CC FROM → TO



NOTES



NOTES

...SYM

| | | | | | |
|--|-----|------|--------|---------|---------|
| HD Evo 125 (Carb & EFI Models/4T/Single Headlight) | 125 | 2003 | → | FDB2190 | FDB2226 |
| HD2- 125i (4T) | 125 | 2010 | → | FDB2190 | FDB2226 |
| HUSKY 125 | 125 | 2000 | → | FDB2129 | FSB959 |
| JOYRIDE (Euro2 - Euro3) | 125 | 2005 | → | FDB2108 | FDB2226 |
| JOYRIDE 125 | 125 | 2001 | → 2005 | FDB2108 | FDB2096 |
| JOYRIDE 125 EURO2 | 125 | 2005 | → 2006 | FDB2108 | FDB2226 |
| JOYRIDE Evo | 125 | 2010 | → | FDB2108 | FDB2226 |
| MEGALO 125 | 125 | 2000 | → | FDB2190 | FSB960 |
| RS 125 | 125 | 2001 | → | FDB2108 | |
| SB 125 N - Wolf (Carb Model) | 125 | 2011 | → 2012 | FDB2226 | FDB2184 |
| SB 125 Ni - Wolf (EFI Model) | 125 | 2011 | → 2012 | FDB2226 | FDB2184 |
| SHARK 125 | 125 | 1999 | → 2002 | FDB2108 | FSB966 |
| SHARK 4 VR 125 | 125 | 2000 | → 2002 | FDB2108 | FDB2087 |
| SUPER DUKE 125 / 150 | 125 | 1999 | → 2000 | FDB2190 | FSB788 |
| VS 125 | 125 | 2006 | → | FDB2108 | FSB960 |
| XS 125 K | 125 | 2007 | → 2012 | FDB2087 | FSB706 |
| EURO MX 150 | 150 | 2002 | → | FDB2108 | FSB960 |
| HUSKY 150 | 150 | 2000 | → | FDB2129 | FSB959 |
| JOYRIDE 150 | 150 | 2001 | → | FDB2108 | FDB2096 |
| RS 150 | 150 | 2001 | → | FDB2108 | |
| SHARK 150 | 150 | 1999 | → 2002 | FDB2108 | FSB966 |
| SHARK 4 VR 150 | 150 | 2000 | → 2002 | FDB2108 | FDB2087 |
| SUPER DUKE 150 | 150 | 1999 | → | FDB2190 | FSB960 |
| VS 150 | 150 | 2006 | → | FDB2108 | FSB960 |
| HD 200 | 200 | 2004 | → 2005 | FDB2096 | FSB960 |
| HD 200 EVO Euro 2-3 / EVO 1 Euro 2-3 | 200 | 2005 | → | FDB2190 | FDB2226 |
| JOYRIDE 200 | 200 | 2001 | → | FDB2108 | FDB2096 |
| JOYRIDE EVO | 200 | 2009 | → | FDB2190 | FDB2226 |
| GTS 250 | 250 | 2007 | → | FDB2085 | FDB2226 |
| JOYMAX 250 | 250 | 2006 | → 2007 | FDB2141 | FDB2226 |
| GTS 300 | 300 | 2009 | → | FDB2085 | |
| JOYMAX 300 EVO / EVO I | 300 | 2009 | → | FDB2085 | FDB2226 |
| JOYRIDE 300 EVO I | 300 | 2010 | → | FDB2085 | FDB2226 |
| GT 500 | 500 | 2004 | → | FDB2085 | |

TGB

| | | | | | |
|----------------|----|------|---|---------|--|
| 202 CLASSIC 50 | 50 | 2003 | → | FDB2090 | |
| 203 TRIGGER 50 | 50 | 2002 | → | FDB313 | |
| AKROS TEC 50 | 50 | 2003 | → | FDB2090 | |
| DELIVERY 50 | 50 | 2003 | → | FDB2090 | |

TM

| | | | | | |
|---|-----|------|--------|---------|---------|
| 80/85 Cross | | 1996 | → 2001 | FDB2018 | FDB2005 |
| 80/85 Minicross/Junior | | 1996 | → 2000 | FDB313 | FDB661 |
| 80/85/100 (Big wheel) | | 2002 | → 2004 | FDB2018 | FDB2005 |
| 80/85/100 Junior | | 2005 | → 2007 | FDB2018 | FDB2162 |
| 80/85/100 Junior Cross (Small wheel) | | 2002 | → 2004 | FDB2018 | FDB2005 |
| 80 Enduro | 80 | 1996 | → 2000 | FDB2018 | FDB2005 |
| all models 80 | 80 | 1990 | → 1993 | FDB499 | FDB314 |
| GS 80 | 80 | 1986 | → 1989 | FDB499 | FDB207 |
| MC 80 | 80 | 1986 | → 1989 | FDB499 | FDB207 |
| MX 85 (Big Wheel) | 85 | 2002 | → 2004 | FDB2018 | FDB539 |
| MX 85 (Big Wheel) | 85 | 2005 | → 2012 | FDB2018 | FDB2162 |
| MX 85 JR (Small Wheel) | 85 | 2002 | → 2004 | FDB2018 | FDB539 |
| MX 85 JR (Small Wheel) | 85 | 2005 | → 2012 | FDB2018 | FDB2162 |
| 125 Cross | 125 | 1995 | → 2000 | FDB2018 | FDB2005 |
| 125 Enduro | 125 | 1995 | → 2000 | FDB2018 | FDB2005 |
| Enduro EN 125 (2T) | 125 | 2001 | → 2004 | FDB2018 | FDB539 |
| Enduro EN 125 (2T) | 125 | 2005 | → 2012 | FDB2018 | FDB539 |
| Enduro EN 125 (2T) - USA VERSION | 125 | 2005 | → 2008 | FDB2018 | FDB2162 |
| GS / MC 125 | 125 | 1990 | → 1993 | FDB499 | FDB314 |
| GS 125 | 125 | 1986 | → 1989 | FDB499 | FDB207 |
| MC 125 | 125 | 1986 | → 1989 | FDB499 | FDB207 |
| MX 125 (2T) | 125 | 2001 | → 2012 | FDB2018 | FDB539 |
| SMM 125 (2T) Black Dream (320mm front disc) | 125 | 2008 | → 2011 | FDB2120 | FDB207 |
| SMM 125 Black Dream (Rim brake) | 125 | 2004 | → 2008 | | FDB207 |
| SMR 125 (2T) | 125 | 2005 | → 2011 | FRP408 | FDB2162 |
| EN 144 (2T) | 144 | 2008 | → 2012 | FDB2018 | FDB2162 |
| MX 144 (2T) | 144 | 2008 | → 2012 | FDB2018 | FDB2162 |

* It is recommended that in those applications where sintered pads are supplied as Original Equipment, replacement pads should also be of sintered composition.

** To avoid brake imbalance sintered pads fitted in rear calipers should only be used in combination with front calipers containing sintered pads.



CC FROM → TO



NOTES



NOTES

...TM

| | | | | | | |
|---|-----|------|---|------|---------|---------|
| 250 Cross | 250 | 1995 | → | 2000 | FDB2018 | FDB2005 |
| 250 Enduro | 250 | 1995 | → | 2000 | FDB2018 | FDB2005 |
| Enduro EN 250 (2T) | 250 | 2001 | → | 2004 | FDB2018 | FDB539 |
| Enduro EN 250 (2T) | 250 | 2005 | → | 2008 | FDB2018 | FDB2162 |
| Enduro EN 250 Fi | 250 | 2010 | → | 2011 | FDB2018 | FDB2162 |
| MX 250 (2T) | 250 | 2001 | → | 2004 | FDB2018 | FDB539 |
| MX 250 (2T) | 250 | 2005 | → | 2012 | FDB2018 | FDB2162 |
| MX 250 (4T) Cross | 250 | 2002 | → | 2004 | FDB2018 | FDB539 |
| MX 250 (4T) Cross | 250 | 2005 | → | 2012 | FDB2018 | FDB2162 |
| MX 250 Fi (4T) | 250 | 2010 | → | 2012 | FDB2018 | FDB2162 |
| SM 250 | 250 | 2002 | → | 0000 | FRP408 | FDB539 |
| SME 250 (4T) | 250 | 2004 | → | 0000 | FRP408 | FDB539 |
| SMM 250 (2T) | 250 | 2005 | → | 2011 | FRP408 | FDB207 |
| SMM 250 F (4T) | 250 | 2010 | → | 2011 | FDB2120 | FDB2162 |
| SMR 250 (2T) | 250 | 2005 | → | 2011 | FRP408 | FDB2162 |
| SMR 250 F (4T) | 250 | 2010 | → | 2011 | FDB2120 | FDB2162 |
| 300 Cross | 300 | 1995 | → | 2000 | FDB2018 | FDB2005 |
| 300 Enduro (2T) | 300 | 1995 | → | 2000 | FDB2018 | FDB2005 |
| Enduro EN 300 (2T) | 300 | 2001 | → | 2004 | FDB2018 | FDB539 |
| Enduro EN 300 (2T) | 300 | 2005 | → | 2012 | FDB2018 | FDB2162 |
| MX 300 (2T) | 300 | 2001 | → | 2004 | FDB2018 | FDB539 |
| MX 300 (2T) | 300 | 2005 | → | 2012 | FDB2018 | FDB2162 |
| SMM 300 (2T) | 300 | 2005 | → | 2011 | FRP408 | FDB207 |
| SMR 300 (2T) | 300 | 2005 | → | 2011 | FRP408 | FDB2162 |
| 400 (4T) MX Cross | 400 | 2002 | → | 2003 | FDB2018 | FDB539 |
| 400 Cross (4T) | 400 | 1995 | → | 2000 | FDB2018 | FDB2005 |
| SM 400 | 400 | 2002 | → | 2003 | FRP408 | FDB539 |
| SME 400 (4T) | 400 | 2004 | → | 0000 | FRP408 | FDB539 |
| SMM 400 (4T) (Rim brake) | 400 | 2004 | → | 0000 | | FDB207 |
| EN 450 F (4T) | 450 | 2004 | → | 0000 | FDB2018 | FDB539 |
| EN 450 F (4T) | 450 | 2005 | → | 2012 | FDB2018 | FDB2162 |
| MX 450 F (4T) | 450 | 2004 | → | 0000 | FDB2018 | FDB539 |
| MX 450 F (4T) | 450 | 2005 | → | 2012 | FDB2018 | FDB2162 |
| MX 450 F - USA versiom | 450 | 2005 | → | 2008 | FDB2018 | FDB539 |
| SMM 450 Black Dream ES (4T) | 450 | 2005 | → | 2008 | | FDB207 |
| SMM 450 F Black Dream ES (320mm front disc) | 450 | 2008 | → | 2010 | FDB2120 | FDB207 |
| SMR 450 F (4T) | 450 | 2010 | → | 2011 | FDB2120 | FDB2162 |
| SMR 450 FES | 450 | 2005 | → | 2009 | FRP408 | FDB2162 |
| SMX 450 F | 450 | 2005 | → | 2011 | FDB2120 | FDB2162 |
| SMX 450 F Competition (4T) | 450 | 2005 | → | 2008 | FDB2120 | FDB539 |
| 530 (4T) Cross | 530 | 2002 | → | 2003 | FRP408 | FDB539 |
| 530 Cross (4T) | 530 | 1998 | → | 2000 | FDB2018 | FDB2005 |
| EN 530 F (4T) | 530 | 2004 | → | 0000 | FDB2018 | FDB539 |
| EN 530 F (4T) | 530 | 2005 | → | 2012 | FDB2018 | FDB2162 |
| MX 530 F | 530 | 2004 | → | 0000 | FDB2018 | FDB539 |
| MX 530 F | 530 | 2005 | → | 2011 | FDB2018 | FDB2162 |
| SM 530 | 530 | 2002 | → | 2003 | FRP408 | FDB539 |
| SME 530 (4T) | 530 | 2004 | → | 0000 | FRP408 | FDB539 |
| SMM 530 F Black Dream (Rim brake) | 530 | 2004 | → | 2007 | | FDB207 |
| SMM 530 F Black Dream ES (320mm front disc) | 530 | 2008 | → | 2010 | FDB2120 | FDB207 |
| SMR 530 F | 530 | 2010 | → | 2011 | FDB2120 | FDB2162 |
| SMR 530 F ES | 530 | 2005 | → | 2009 | FRP408 | FDB2162 |
| SMX 530 F | 530 | 2005 | → | 2011 | FDB2120 | FDB2162 |
| SMX 660 F | 660 | 2004 | → | 0000 | FRP408 | FDB539 |
| SMX 660 F | 660 | 2005 | → | 2010 | FDB2120 | FDB2162 |

TOMOS

| | | | | | | |
|------------|----|------|---|------|--------|--------|
| N 50 AT BT | 50 | 1991 | → | 2000 | FDB436 | |
| REVIVAL | 50 | 2003 | → | | FDB697 | |
| STREETMATE | 50 | 2003 | → | | FDB697 | |
| K 83 | 83 | | → | | FSB902 | FSB902 |
| M 83 | 83 | | → | | FSB902 | FSB902 |

TORNAX

| | | | | | | |
|-------|----|--|---|--|--------|--|
| RX 80 | 80 | | → | | FDB207 | |
|-------|----|--|---|--|--------|--|

* It is recommended that in those applications where sintered pads are supplied as Original Equipment, replacement pads should also be of sintered composition.

** To avoid brake imbalance sintered pads fitted in rear calipers should only be used in combination with front calipers containing sintered pads.



CC FROM → TO



NOTES



NOTES

TRE SOLDI

| | | | | | | |
|----------------|----|------|--------|--------|--|--------|
| 80 | 80 | → | | FSB833 | | FSB833 |
| CR 80 | 80 | 1985 | → | FDB207 | | FDB436 |
| REGOLARITA' 80 | 80 | 1986 | → 1986 | FSB911 | | FSB904 |

TRIUMPH

| | | | | | | |
|---|-----|------|-------------|---------|--|---------|
| BONNEVILLE 800 / T100 | 100 | 2001 | → | FDB664 | | FDB497 |
| T 100 | 100 | 1970 | → | FSB919 | | FSB921 |
| T 120 | 120 | 1966 | → | FSB919 | | FSB921 |
| T 140 | 140 | 1970 | → | FSB919 | | FSB921 |
| T 150 | 150 | 1969 | → | FSB919 | | FSB921 |
| BONNEVILLE T 400 V E | 400 | 1982 | → 1984 (x2) | FRP213 | | FDB342 |
| BONNEVILLE T 400 V E | 400 | 2000 | → (x2) | FDB342 | | FDB342 |
| CUB 500 | 500 | | → | FSB916 | | FSB916 |
| TRIDENT TI 500 V | 500 | 1982 | → 1984 | FRP213 | | FDB342 |
| TRIDENT TI 500 V | 500 | 2000 | → | FDB342 | | FDB342 |
| BABY SPEED 600 | 600 | 2004 | → (x2) | FDB557 | | FDB754 |
| DAYTONA 600 | 600 | 2003 | → (x2) | FDB557 | | FDB754 |
| SPEED FOUR 600 | 600 | 2002 | → (x2) | FDB557 | | FDB497 |
| TT 600 | 600 | 2000 | → 2003 (x2) | FDB557 | | FDB531 |
| THUNDERBIRD 650 | 650 | 1982 | → 1984 | FRP213 | | |
| DAYTONA 675 | 675 | 2009 | → 2012 (x2) | FDB2252 | | FDB531 |
| DAYTONA 675 | 675 | 2013 | → (x2) | FDB2252 | | FDB2005 |
| DAYTONA 675 / Special Edition / Triple | 675 | 2006 | → 2008 (x2) | FDB2158 | | FDB531 |
| DAYTONA 675 R (Racing version pad) | 675 | 2011 | → 2012 (x2) | FDB2218 | | FDB531 |
| DAYTONA 675 R (Racing version pad) | 675 | 2013 | → (x2) | FDB2218 | | FDB2005 |
| DAYTONA 675 R (Road version pad) | 675 | 2011 | → 2012 (x2) | FDB2260 | | FDB531 |
| DAYTONA 675 R (Road version pad) | 675 | 2013 | → (x2) | FDB2260 | | FDB2005 |
| STREET TRIPLE 675 | 675 | 2007 | → 2012 (x2) | FDB570 | | FDB531 |
| STREET TRIPLE 675 | 675 | 2013 | → (x2) | FDB570 | | FDB2005 |
| STREET TRIPLE 675 R | 675 | 2009 | → 2012 (x2) | FDB2158 | | FDB531 |
| STREET TRIPLE 675 R | 675 | 2013 | → (x2) | FDB2158 | | FDB2005 |
| BONNEVILLE 750 TWIN (Brembo calipers) | 750 | 1985 | → 1986 | FDB148 | | FDB148 |
| BONNEVILLE 750 TWIN (Lockheed calipers) | 750 | 1975 | → 1981 | FDB342 | | FDB342 |
| BONNEVILLE 750 TWIN (Lockheed calipers) | 750 | 1982 | → 1984 | FRP213 | | FDB342 |
| DAYTONA 750 SPORT | 750 | 1991 | → 1992 (x2) | FDB557 | | FDB631 |
| TIGER 750 TR 7V | 750 | 1976 | → 1981 | FRP213 | | FDB342 |
| TIGER 750 TR 7V | 750 | 2000 | → | FDB342 | | FSB921 |
| TRIDENT 750 (left) | 750 | 1992 | → 1998 | FDB497 | | FDB631 |
| TRIDENT 750 (right) | 750 | 1992 | → 1998 | FDB631 | | |
| BONNEVILLE 800 (USA version) | 800 | 2001 | → | FDB570 | | FDB531 |
| TIGER 800 (NO ABS) | 800 | 2011 | → (x2) | FDB570 | | FDB531 |
| TIGER 800 XC (NO ABS) | 800 | 2011 | → (x2) | FDB570 | | FDB531 |
| TIGER 800 XC SE | 800 | 2014 | → (x2) | FDB570 | | FDB531 |
| BONNEVILLE T100 SE | 865 | 2012 | → | FDB570 | | FDB497 |
| AMERICA 865 | 865 | 2007 | → | FDB664 | | FDB497 |
| AMERICA 865 (12 Spoke Cast wheel) | 865 | 2010 | → | FDB664 | | FDB497 |
| AMERICA LT 865 | 865 | 2014 | → | FDB570 | | FDB497 |
| BONNEVILLE California Street Racer 865 | 865 | 2008 | → | FDB664 | | FDB497 |
| BONNEVILLE T100 865 | 865 | 2005 | → | FDB664 | | FDB497 |
| BONNEVILLE T100 BLACK | 865 | 2012 | → | FDB570 | | FDB497 |
| SCRAMBLER 865 | 865 | 2006 | → | FDB664 | | FDB497 |
| SPEEDMASTER 865 | 865 | 2004 | → (x2) | FDB570 | | FDB497 |
| ADVENTURER 900 | 900 | 1996 | → 2001 | FDB570 | | FDB570 |
| DAYTONA 900 | 900 | 1993 | → 1996 (x2) | FDB557 | | FDB631 |
| DAYTONA SPRINT 900 | 900 | 1994 | → 1998 (x2) | FDB557 | | FDB631 |
| DAYTONA SPRINT 900 (left) | 900 | 1993 | → | FDB497 | | FDB631 |
| DAYTONA SPRINT 900 (right) | 900 | 1993 | → | FDB631 | | |
| DAYTONA SUPER III 900 | 900 | 1994 | → 1997 (x2) | FDB864 | | FDB631 |
| LEGEND 900 TT | 900 | 1999 | → 2001 | FDB570 | | FDB570 |
| SCRAMBLER 900 | 900 | 2010 | → | FDB664 | | FDB497 |
| SPEED TRIPLE 900 | 900 | 1994 | → (x2) | FDB557 | | FDB631 |
| THRUXTON 900 | 900 | 2004 | → 2007 | FDB570 | | FDB497 |
| THRUXTON 900 | 900 | 2008 | → | FDB664 | | FDB497 |
| THRUXTON 900 (Front Brembo caliper) | 900 | 2008 | → (x2) | FDB2042 | | FDB497 |
| THUNDERBIRD 900 / SPORT | 900 | 1995 | → (x2) | FDB570 | | FDB570 |
| TIGER 900 (left) | 900 | 1993 | → 1998 (x2) | FDB497 | | FDB631 |
| TIGER 900 (right) | 900 | 1993 | → 1998 (x2) | FDB631 | | |
| TRIDENT 900 SPRINTER (left) | 900 | 1993 | → 1998 | FDB497 | | FDB631 |
| TRIDENT 900 SPRINTER (right) | 900 | 1993 | → 1998 | FDB631 | | |
| TROPHY 900 | 900 | 1996 | → 1998 (x2) | FDB557 | | FDB631 |
| TROPHY 900 (left) | 900 | 1993 | → 1995 | FDB497 | | FDB631 |

* It is recommended that in those applications where sintered pads are supplied as Original Equipment, replacement pads should also be of sintered composition.

** To avoid brake imbalance sintered pads fitted in rear calipers should only be used in combination with front calipers containing sintered pads.



CC FROM → TO



NOTES



NOTES

...TRIUMPH

| | | | | | | | |
|--|------|------|---|-----------|---------|---------|--|
| TROPHY 900 (right) | 900 | 1993 | → | 1995 | FDB631 | | |
| TIGER 950 | 950 | 1999 | → | (x2) | FDB570 | FDB570 | |
| DAYTONA 955i | 955 | 1997 | → | 2000 (x2) | FDB557 | FDB497 | |
| DAYTONA 955i | 955 | 2001 | → | 2004 (x2) | FDB557 | FDB531 | |
| SPEED TRIPLE 955 | 955 | 2002 | → | (x2) | FDB557 | FDB497 | |
| SPRINT RS 955 (from VIN 139277 to 161317) single sided swing arm | 955 | 2003 | → | 2004 (x2) | FDB557 | FDB497 | |
| SPRINT RS 955 (from VIN 161318) double sided swing arm | 955 | 2003 | → | 2004 (x2) | FDB557 | FDB497 | |
| SPRINT RS 955 (up to VIN 161317) double sided swing arm | 955 | 1999 | → | 2002 (x2) | FDB557 | FDB631 | |
| SPRINT ST 955 | 955 | 1999 | → | 2004 (x2) | FDB557 | FDB497 | |
| DAYTONA 1000 SPORT | 1000 | 1991 | → | 1992 (x2) | FDB557 | FDB631 | |
| SPEEDMASTER | 1000 | 2012 | → | | FDB664 | FDB497 | |
| SPEED TRIPLE 1050 | 1050 | 2004 | → | 2007 (x2) | FDB2158 | FDB497 | |
| SPEED TRIPLE 1050 | 1050 | 2008 | → | (x2) | FDB2120 | FDB497 | |
| SPEED TRIPLE 1050 Custom | 1050 | 2010 | → | (x2) | | FDB497 | |
| SPEED TRIPLE R 1050 (Racing version pad) | 1050 | 2012 | → | (x2) | FDB2218 | FDB497 | |
| SPEED TRIPLE R 1050 (Road version pad) | 1050 | 2012 | → | (x2) | FDB2260 | FDB497 | |
| SPRINT GT 1050 | 1050 | 2011 | → | (x2) | FDB557 | FDB497 | |
| SPRINT ST 1050 / ABS | 1050 | 2004 | → | (x2) | FDB557 | FDB497 | |
| TIGER SE ABS 1050 | 1050 | 2008 | → | (x2) | FDB2158 | FDB631 | |
| TIGER SPORT | 1050 | 2013 | → | (x2) | FDB2158 | FDB631 | |
| TIGER XC | 1050 | 2011 | → | (x2) | FDB664 | FDB531 | |
| DAYTONA 1200 | 1200 | 1993 | → | 1998 (x2) | FDB557 | FDB631 | |
| TROPHY 1200 | 1200 | 1996 | → | 2001 (x2) | FDB557 | FDB631 | |
| TROPHY 1200 (left) | 1200 | 1993 | → | 1995 | FDB497 | FDB631 | |
| TROPHY 1200 (right) | 1200 | 1993 | → | 1995 | FDB631 | | |
| TIGER EXPLORER XC 1200 | 1215 | 2013 | → | (x2) | FDB557 | FDB497 | |
| TROPHY SE | 1215 | 2012 | → | (x2) | FDB2085 | FDB497 | |
| THUNDERBIRD 1600 | 1600 | 2009 | → | (x2) | FDB557 | FDB2006 | |
| THUNDERBIRD COMANDER | 1700 | 2014 | → | (x2) | FDB557 | FDB2006 | |
| THUNDERBIRD LT | 1700 | 2014 | → | (x2) | FDB557 | FDB2006 | |
| THUNDERBIRD STORM 1700 | 1700 | 2011 | → | (x2) | FDB557 | FDB2006 | |
| ROCKET 2300 /Rocket III Classic / Touring / Roadster | 2300 | 2004 | → | (x2) | FDB557 | FDB2006 | |

URAL

| | | | | | | | |
|-----------|-----|------|---|--|---------|--|--|
| RETRO 750 | 750 | 2005 | → | | FDB2042 | | |
|-----------|-----|------|---|--|---------|--|--|

VALENTI

| | | | | | | | |
|-----|-----|--|---|--|--------|--------|--|
| 80 | 80 | | → | | FSB834 | FSB834 | |
| 125 | 125 | | → | | FSB833 | FSB833 | |

VICTORY

| | | | | | | | |
|------|------|------|---|--|---------|---------|--|
| V92C | 1500 | 1998 | → | | FDB2042 | FDB2039 | |
|------|------|------|---|--|---------|---------|--|

YAMAHA

| | | | | | | | |
|-------------------|----|------|---|------|---------|--------|--|
| 50 AXIS | 50 | 1993 | → | | FDB636 | FSB788 | |
| 50 AXIS PROFOOT | 50 | 1994 | → | | FDB636 | FSB788 | |
| 50 BELUGA | 50 | 1990 | → | 1995 | FSB738 | FSB739 | |
| 50 BELUGA | 50 | 2000 | → | | FSB739 | FSB739 | |
| 50 BREEZE | 50 | 1994 | → | 1996 | FDB680 | FSB738 | |
| 50 CHAPPY | 50 | 1980 | → | | FSB732 | FSB732 | |
| 50 FLY ONE | 50 | 1992 | → | 1995 | FDB383 | FSB704 | |
| 50 GRAFIX | 50 | 1993 | → | | FSB738 | FSB738 | |
| 50 SPY | 50 | 1996 | → | 1998 | FDB680 | FSB731 | |
| 50 TRAFIC | 50 | 1993 | → | | FSB738 | FSB738 | |
| 50 TRUNK | 50 | 1994 | → | | FDB636 | FSB788 | |
| 50 YAMY | 50 | 1988 | → | | FSB771 | FSB771 | |
| 50 YAMY ME | 50 | 1988 | → | | FSB771 | FSB771 | |
| 50 ZUMA | 50 | 1996 | → | | FDB680 | FSB738 | |
| CA 50 SALIENT | 50 | 1983 | → | 1986 | FSB730 | FSB739 | |
| CR 50 TARGET | 50 | 1991 | → | | FDB636 | FSB731 | |
| CR 50 Z | 50 | 1992 | → | | FDB636 | FSB731 | |
| CT 50 SUPER SPORT | 50 | 1990 | → | | FSB731 | FSB731 | |
| CW 50 RS | 50 | 1995 | → | | FDB889 | FSB738 | |
| DT 50 | 50 | 1988 | → | 1992 | FSB738 | FSB738 | |
| DT 50 LCD | 50 | 1996 | → | 1998 | FDB2015 | FSB731 | |

* It is recommended that in those applications where sintered pads are supplied as Original Equipment, replacement pads should also be of sintered composition.

** To avoid brake imbalance sintered pads fitted in rear calipers should only be used in combination with front calipers containing sintered pads.



CC

FROM → TO



NOTES



NOTES

...YAMAHA

| | | | | |
|----------------------------|----|-------------|---------|---------|
| DT 50 M - MX | 50 | 1978 → 1987 | FSB732 | FSB732 |
| DT 50 R | 50 | 1993 → 1997 | FDB383 | FSB738 |
| DT 50 R | 50 | 1997 → | FDB697 | FSB731 |
| DT 50 R | 50 | 2002 → 2007 | FDB697 | FRP405 |
| DT 50 R | 50 | 2008 → | FDB2107 | FDB2107 |
| DT 50 R SM | 50 | 2004 → | FDB2106 | FDB2128 |
| DT 50 X | 50 | 2008 → | FDB2106 | FDB2128 |
| EW 50 SLIDER | 50 | 2000 → 2003 | FDB889 | FSB731 |
| FS 1 50 E | 50 | 1974 → 1975 | FSB732 | FSB732 |
| FS 1 50 E DX | 50 | 1976 → 1979 | | FSB732 |
| FS 1 50 SE | 50 | 1981 → 1982 | FSB732 | FSB732 |
| FZR 50 | 50 | 1990 → 1991 | FDB631 | FDB386 |
| FZR 50 | 50 | 1992 → | FDB497 | FDB659 |
| JOG 50 (Brasil) | 50 | → | | FSB739 |
| JOG 50 (Espana) | 50 | 1988 → | FDB636 | FSB739 |
| JOG 50 (Italia) | 50 | 1993 → | FDB636 | FSB788 |
| JOG 50 Z (Italia) - R / RR | 50 | 1993 → | FDB889 | FSB788 |
| LB 2 50 M CHAPPY | 50 | 1980 → | FSB732 | FSB732 |
| LC 50 M | 50 | 1980 → | FSB732 | FSB732 |
| LC 50 M BOP | 50 | 1980 → | FSB739 | FSB739 |
| MA 50 M | 50 | 1981 → | FSB730 | FSB730 |
| MINI 50 L SHAFT | 50 | 1983 → | | FSB738 |
| MINT 50 | 50 | 1996 → | FSB730 | FSB739 |
| MJ 50 M TOWNY | 50 | 1981 → 1993 | FSB730 | FSB730 |
| MS 50 | 50 | 1985 → 1986 | FSB730 | FSB739 |
| PW 50 | 50 | 1980 → | FSB730 | FSB730 |
| QA 50 POCKE | 50 | 1983 → | FSB730 | FSB730 |
| QB 50 VOGEL | 50 | 1983 → | FSB730 | FSB730 |
| QT 50 | 50 | 1980 → | FSB730 | FSB730 |
| RD 50 M | 50 | 1978 → | | FSB732 |
| RD 50 MX | 50 | 1981 → 1987 | FDB277 | FSB732 |
| RS 50 CHAMP | 50 | 1988 → | FDB636 | FSB739 |
| SA 50 M - ME PASSOLA | 50 | 1980 → 1984 | FSB730 | FSB739 |
| SG 50 STING | 50 | 1984 → | FSB739 | FSB739 |
| SH 50 RAZZ | 50 | 1993 → | FSB730 | FSB739 |
| TDR 50 | 50 | 1990 → | FDB383 | FDB383 |
| TY 50 M | 50 | 1979 → | FSB732 | FSB732 |
| TZM 50 R | 50 | 1994 → | FDB636 | FDB383 |
| TZR 50 | 50 | 1990 → 1996 | FDB636 | FDB383 |
| TZR 50 | 50 | 1997 → 2003 | FDB631 | |
| TZR 50 /Race Replica 07 | 50 | 2004 → | FDB2106 | FRP405 |
| V 50 M | 50 | 1983 → | FSB738 | FSB738 |
| V 50 M - P | 50 | 1974 → 1982 | FSB732 | FSB732 |
| YE 50 ZEST | 50 | 1992 → | FDB889 | FSB731 |
| YE 50 ZEST | 50 | 1993 → 1995 | FDB889 | FSB738 |
| YH 50 WHY | 50 | 1999 → | FDB889 | FSB731 |
| YSR 50 | 50 | 1986 → 1987 | FDB475 | FSB731 |
| YZ 50 G - H - J - K | 50 | 1980 → 1983 | FSB764 | FSB764 |
| YSR 60 | 60 | 1986 → 1987 | FDB475 | FSB731 |
| YZ 60 | 60 | 1985 → | FSB764 | FSB764 |
| V 70 A | 70 | 1976 → | FSB732 | FSB732 |
| 80 BELUGA | 80 | 1990 → | FSB738 | FSB739 |
| 80 BELUGA | 80 | 2000 → | FSB731 | FSB731 |
| BOP 80 2 | 80 | 1980 → | FSB732 | FSB732 |
| DT 80 (Espana) | 80 | → | FSB738 | FSB738 |
| DT 80 LC | 80 | 1981 → | FSB732 | FSB732 |
| DT 80 LC (Espana) | 80 | 1989 → | FDB499 | FSB738 |
| DT 80 LC - LC II - N | 80 | 1985 → | FDB475 | FSB732 |
| DT 80 LC2 | 80 | 1993 → | FDB383 | FSB733 |
| DT 80 MX - MX-S | 80 | 1981 → | FSB732 | FSB732 |
| FS 80 SE | 80 | 1981 → 1982 | FSB732 | FSB732 |
| PW 80 | 80 | 1991 → | FSB739 | FSB738 |
| PW 80 K | 80 | 1983 → 1990 | FSB764 | FSB764 |
| RD 80 AIR COOLED | 80 | 1981 → 1982 | FDB277 | FSB732 |
| RD 80 LC1 | 80 | 1982 → | FDB311 | FSB733 |
| RD 80 LC2 - LCS | 80 | 1982 → | FDB311 | FSB732 |
| RD 80 MX | 80 | 1981 → 1982 | FDB277 | FSB732 |
| RX 80 SE | 80 | 1982 → | FDB277 | FSB732 |
| T 80 TOWNMATE | 80 | 1983 → 1997 | FSB738 | FSB738 |
| TDR 80 | 80 | 1989 → | FDB475 | FDB475 |
| TY 80 | 80 | 1977 → | FSB764 | FSB732 |
| TY 80 | 80 | 1983 → | FSB764 | FSB731 |

* It is recommended that in those applications where sintered pads are supplied as Original Equipment, replacement pads should also be of sintered composition.

** To avoid brake imbalance sintered pads fitted in rear calipers should only be used in combination with front calipers containing sintered pads.



CC

FROM → TO



NOTES



NOTES

...YAMAHA

| | | | | |
|---------------------------|-----|-------------|---------|---------|
| TZR 80 | 80 | 1992 → | FDB636 | FDB383 |
| TZR 80 | 80 | 2000 → | FDB386 | FSB733 |
| V 80 | 80 | 1979 → 1982 | FSB732 | FSB732 |
| V 80 | 80 | 1983 → | FSB738 | FSB738 |
| YSR 80 | 80 | 1986 → | FDB475 | FSB731 |
| YZ 80 | 80 | 1977 → 1979 | FSB764 | FSB732 |
| YZ 80 | 80 | 1980 → 1985 | FSB764 | FSB764 |
| YZ 80 | 80 | 1986 → 1992 | FDB2015 | FSB764 |
| YZ 80 | 80 | 1993 → 2001 | FDB2015 | FDB661 |
| YZ 85 LW | 85 | 2002 → 2012 | FDB2015 | FDB661 |
| 90 AXIS (Brasil) | 90 | → | FDB636 | |
| CR 90 TARGET | 90 | 1991 → | FDB636 | FSB731 |
| JOG 90 | 90 | 1990 → 1994 | FDB636 | FSB739 |
| JOG 90 (Brasil) | 90 | → | FDB636 | FSB739 |
| TT-R 90 | 90 | 2000 → 2004 | FSB764 | FSB731 |
| V 90 | 90 | 1978 → | FSB732 | FSB732 |
| BW' S 100 | 100 | 2000 → 2002 | FDB636 | FSB947 |
| DT 100 | 100 | 1976 → 1980 | FSB732 | FSB733 |
| RS 100 | 100 | 1975 → 1977 | FSB732 | FSB732 |
| RS 100 all models | 100 | 1977 → 1980 | | FSB732 |
| RT 100 | 100 | 1994 → 2003 | FSB731 | FSB731 |
| RX 100 | 100 | 1983 → 1996 | FSB738 | FSB738 |
| YB 100 | 100 | 1978 → 1981 | FSB732 | FSB732 |
| YB 100 | 100 | 1982 → 1986 | FSB732 | FSB731 |
| YB 100 | 100 | 1987 → 1992 | FSB731 | FSB731 |
| YN 100 NEO'S | 100 | 2000 → 2003 | FDB889 | FSB947 |
| YQ 100 AEROX | 100 | 2000 → | FDB889 | FSB733 |
| YZ 100 E - F - G - H | 100 | 1978 → 1981 | FSB732 | FSB733 |
| YZ 100 J - K | 100 | 1982 → 1983 | FSB731 | FSB733 |
| 105 CRIPTON | 105 | 1996 → 1998 | FDB2083 | FSB738 |
| 125 ACTIVE | 125 | 1990 → | FSB733 | FSB733 |
| 125 BIKAN | 125 | 1991 → | FDB386 | FDB337 |
| BL 125 BELUGA | 125 | 1985 → 1987 | FSB733 | FSB733 |
| BL 125 BELUGA | 125 | 1988 → 1992 | FSB772 | FSB733 |
| BL 125 BELUGA | 125 | 1993 → 1995 | FSB772 | FSB947 |
| BW's 125 | 125 | 2010 → | FDB2264 | FSB967 |
| CYGNUS X 125 | 125 | 2004 → 2011 | FDB2224 | FSB967 |
| DT 125 (Italia) | 125 | 1986 → 1987 | FDB438 | FSB733 |
| DT 125 CHESTERFIELD SCOUT | 125 | 1988 → | FDB592 | FSB733 |
| DT 125 CHESTERFIELD SCOUT | 125 | 1989 → | FDB499 | FSB733 |
| DT 125 E - LC - MX | 125 | 1974 → 1984 | FSB733 | FSB733 |
| DT 125 LC - R | 125 | 1985 → 1986 | FDB475 | FSB733 |
| DT 125 LC / R | 125 | 1988 → | FDB475 | FDB383 |
| DT 125 LC TENERE | 125 | 1988 → | FDB592 | FSB733 |
| DT 125 MX (drum brakes) | 125 | 1992 → | FSB733 | FSB733 |
| DT 125 R | 125 | 2000 → 2003 | FDB383 | FDB383 |
| DT 125 RE | 125 | 1991 → 1993 | FDB383 | FDB383 |
| DT 125 RE | 125 | 2004 → | FDB383 | |
| DT 125 TENERE (Italia) | 125 | 1987 → | FDB438 | FSB733 |
| IT 125 G - H - J | 125 | 1980 → 1982 | FSB732 | FSB733 |
| MAXTER 125 | 125 | 2001 → 2003 | FDB2018 | FDB2074 |
| RD 125 DX | 125 | 1975 → 1977 | | FSB733 |
| RD 125 LC | 125 | 1982 → 1984 | FDB311 | FSB733 |
| RD 125 LC R | 125 | 1985 → 1987 | FDB386 | FSB733 |
| RIVA 125 XX | 125 | 1993 → | FSB772 | FSB947 |
| RS 125 | 125 | 1975 → | FSB734 | FSB733 |
| RS 125 DX | 125 | 1976 → 1980 | | FSB733 |
| SR 125 | 125 | 1993 → 1996 | FDB311 | FSB763 |
| SR 125 | 125 | 1997 → 2003 | FDB2003 | FSB731 |
| SR 125 SE | 125 | 1982 → 1992 | FSB733 | FSB731 |
| TD 125 R | 125 | 1993 → | FDB383 | FDB383 |
| TDR 125 | 125 | 1992 → | FDB499 | FDB207 |
| TDR 125 | 125 | 1993 → 1993 | FDB2003 | FDB383 |
| TDR 125 (Italia) | 125 | 1990 → 1991 | FDB499 | FDB314 |
| TDR 125 R | 125 | 1993 → 2003 | FDB781 | FDB475 |
| TT-R 125 | 125 | 2000 → | FSB731 | FSB731 |
| TT-R 125 LW | 125 | 2000 → 2012 | FDB2015 | FSB731 |
| TW 125 | 125 | 1998 → 2002 | FDB2083 | FSB731 |
| TW 125 | 125 | 2003 → | FDB2083 | |
| TY 125 | 125 | 1982 → | FSB732 | FSB733 |
| TZ 125 | 125 | 1997 → | FDB557 | FDB2194 |
| TZR 125 | 125 | 1987 → 1989 | FDB386 | FSB733 |

* It is recommended that in those applications where sintered pads are supplied as Original Equipment, replacement pads should also be of sintered composition.

** To avoid brake imbalance sintered pads fitted in rear calipers should only be used in combination with front calipers containing sintered pads.



CC FROM → TO



NOTES



NOTES

...YAMAHA

| | | | | | | |
|---|-----|------|---|------|---------|---------|
| TZR 125 | 125 | 1990 | → | 1992 | FDB337 | FDB386 |
| TZR 125 | 125 | 1993 | → | | FDB2003 | FDB383 |
| TZR 125 (Italia) | 125 | 1991 | → | | FRP408 | FDB207 |
| TZR 125 RED ROCKET | 125 | 1993 | → | | FRP408 | FDB207 |
| VITY 125 | 125 | 2008 | → | | FDB2238 | |
| WR 125 | 125 | 1990 | → | | FDB497 | FDB659 |
| WR 125 | 125 | 1991 | → | 1992 | FDB497 | FDB659 |
| WR 125 R / X | 125 | 2008 | → | | FDB664 | FDB2005 |
| X-CITY 125 | 125 | 2008 | → | | FDB664 | FDB2074 |
| X-MAX 125 (Brembo Front Caliper) NO ABS | 125 | 2006 | → | 2009 | FDB2208 | FDB2074 |
| X-MAX 125 (Nissin Front Caliper) NO ABS | 125 | 2010 | → | | FDB664 | FDB2074 |
| XC 125 BELUGA | 125 | 1993 | → | | FSB772 | FSB733 |
| XC 125 CYGNUS | 125 | 1996 | → | 1997 | FDB383 | FSB731 |
| XC 125 CYGNUS T | 125 | 1995 | → | | FSB947 | FSB731 |
| XC 125 TR CYGNUS R | 125 | 1998 | → | 2003 | FDB475 | |
| Xenter 125 | 125 | 2012 | → | | FDB2264 | FSB967 |
| XN 125 N TEO'S | 125 | 2000 | → | 2003 | FDB889 | FSB947 |
| XQ 125 N MAXSTER | 125 | 2001 | → | 2003 | FDB2018 | FDB2074 |
| XT 125 | 125 | 1976 | → | | FSB913 | FSB738 |
| XT 125 R | 125 | 2008 | → | | FDB2128 | FDB2128 |
| XT 125 X | 125 | 2008 | → | | FDB677 | FDB2128 |
| XV 125 VIRAGO | 125 | 1997 | → | 2000 | FDB2003 | FSB947 |
| XVS 125 DRAG STAR | 125 | 2000 | → | | FDB2003 | FSB947 |
| YBR 125 | 125 | 2005 | → | 2007 | FDB383 | |
| YBR 125 / Custom | 125 | 2008 | → | | FDB2238 | |
| YP 125 MAJESTY R | 125 | 1998 | → | 2000 | FDB2018 | FSB947 |
| YP 125 MAJESTY R | 125 | 2001 | → | | FDB2018 | FDB2074 |
| YZ 125 | 125 | 1985 | → | 1987 | FDB411 | FSB737 |
| YZ 125 | 125 | 1988 | → | | FDB411 | FDB383 |
| YZ 125 | 125 | 1989 | → | | FDB497 | FDB661 |
| YZ 125 | 125 | 2003 | → | 2007 | FDB892 | FDB2162 |
| YZ 125 | 125 | 2008 | → | | FDB2219 | FDB2162 |
| YZ 125 all models | 125 | 1990 | → | 1997 | FDB497 | FDB659 |
| YZ 125 all models | 125 | 1998 | → | 2002 | FDB892 | FDB539 |
| YZ 125 C - D - E - F - G - H - J | 125 | 1976 | → | 1982 | FSB913 | FSB733 |
| YZ 125 K - N - L | 125 | 1983 | → | 1984 | FSB763 | FSB737 |
| YZ-R 125 | 125 | 2008 | → | | FDB892 | FDB2184 |
| YZF-R 125 | 125 | 2008 | → | | FDB2018 | FDB2184 |
| KRIPTON T135FI | 135 | 2008 | → | | FDB2238 | |
| 150 FLY ONE | 150 | 1992 | → | | FDB383 | FSB704 |
| MAXTER 150 | 150 | 2001 | → | 2003 | FDB680 | FDB2074 |
| Xenter 150 | 150 | 2012 | → | | FDB2264 | FSB967 |
| YP 150 MAJESTY | 150 | 2001 | → | 2003 | FDB2018 | FDB2074 |
| YZF-R15 | 150 | 2011 | → | | FDB2238 | FDB2143 |
| DT 175 MX | 175 | 1974 | → | 1983 | FSB733 | FSB733 |
| IT 175 G - H - I | 175 | 1980 | → | 1982 | FSB913 | FSB733 |
| TY 175 | 175 | 1977 | → | 1980 | FSB732 | FSB733 |
| RT 180 | 180 | 1990 | → | 1992 | FDB583 | FSB733 |
| RT 180 | 180 | 1993 | → | 1994 | FDB583 | FSB947 |
| RT 180 G | 180 | 1995 | → | 2000 | FDB475 | FSB947 |
| XC 180 GYGNUS | 180 | 1983 | → | 1985 | FSB733 | FSB734 |
| XC 185 BELUGA | 185 | 1993 | → | | FSB772 | FSB772 |
| DT 200 R | 200 | 1988 | → | 1991 | FDB475 | FDB475 |
| DT 200 WR | 200 | 1991 | → | | FDB497 | FDB659 |
| IT 200 | 200 | 1984 | → | | FSB737 | FSB737 |
| RD 200 DX | 200 | 1975 | → | 1978 | | FSB734 |
| RS 200 | 200 | 1979 | → | | FSB734 | FSB734 |
| RS 200 C | 200 | 1975 | → | 1980 | | FSB734 |
| SDR 200 | 200 | 1987 | → | 1989 | FDB386 | FDB386 |
| TW 200 | 200 | 1989 | → | 1992 | FSB733 | FSB731 |
| TW 200 | 200 | 1993 | → | 2000 | FSB947 | FSB731 |
| TW 200 | 200 | 2001 | → | 2003 | FDB383 | FSB731 |
| TW 200 T/U/W | 200 | 1987 | → | 1988 | FSB734 | FSB732 |
| WR 200 B | 200 | 1991 | → | 1994 | FDB497 | FDB659 |
| BRONCO 225 | 225 | 1997 | → | | FDB2083 | |
| CELLOW 225 | 225 | 1997 | → | | FDB2083 | |
| CELLOW 225 | 225 | 2005 | → | | FDB2208 | |
| SEROW 225 XT | 225 | 1985 | → | 1992 | FDB383 | FSB731 |
| SEROW 225 XT | 225 | 1993 | → | 1995 | FDB383 | FDB659 |
| TT-R 225 | 225 | 1999 | → | 2002 | FDB383 | FSB731 |
| XV 240 VIRAGO | 240 | 1991 | → | 1992 | FDB311 | FSB733 |
| XV 240 VIRAGO | 240 | 1992 | → | 2000 | FDB311 | |

* It is recommended that in those applications where sintered pads are supplied as Original Equipment, replacement pads should also be of sintered composition.

** To avoid brake imbalance sintered pads fitted in rear calipers should only be used in combination with front calipers containing sintered pads.



CC

FROM → TO



NOTES



NOTES

...YAMAHA

| | | | | | | |
|---|-----|-------------|------|---------|--|---------|
| CYGNUS X 250 | 250 | 2007 → | | FDB2224 | | |
| DT 250 MX | 250 | 1975 → 1980 | | FSB767 | | FSB734 |
| FZR 250 | 250 | 1986 → 1988 | (x2) | FDB449 | | FDB386 |
| FZR 250 R | 250 | 1989 → | | FDB605 | | FDB386 |
| FZX 250 ZEAL | 250 | 1991 → | | FDB781 | | FDB386 |
| IT 250 G | 250 | 1980 → | | FSB913 | | FSB767 |
| IT 250 H - J - K | 250 | 1981 → 1983 | | FSB913 | | FSB734 |
| IT 250 L | 250 | 1984 → | | FSB763 | | FSB734 |
| R1 250 Z | 250 | 1997 → | (x2) | FDB449 | | FDB386 |
| RD 250 A - B - C | 250 | 1974 → 1977 | | | | FSB735 |
| RD 250 E - F | 250 | 1978 → 1979 | | FDB184 | | FDB184 |
| RD 250 LC | 250 | 1980 → | | | | FSB735 |
| RD 250 LC | 250 | 1981 → 1983 | | FDB277 | | FSB735 |
| RZR 250 | 250 | 1990 → | (x2) | FDB386 | | FDB386 |
| SR 250 | 250 | 1987 → | | FSB766 | | FSB733 |
| SR 250 E (España) | 250 | 1990 → 1994 | | FDB311 | | FSB733 |
| SR 250 SE | 250 | 1980 → 1982 | | FSB767 | | FSB733 |
| SRV 250 SOULFULTWIN RENAISSA | 250 | 1992 → 1997 | | FDB781 | | FSB947 |
| TDR 250 | 250 | 1988 → 1992 | | FDB449 | | FDB386 |
| TT 250 R | 250 | 1993 → 1999 | | FDB497 | | FDB659 |
| TT 250 S | 250 | 1987 → 1992 | | FDB411 | | FSB733 |
| TT-R 250 | 250 | 2000 → | | FDB497 | | FDB539 |
| TY 250 D - E - F - G | 250 | 1977 → 1980 | | FSB732 | | FSB733 |
| TY 250 H | 250 | 1981 → 1983 | | FSB913 | | FSB734 |
| TY 250 R | 250 | 1991 → 1993 | | FRP405 | | FSB732 |
| TY 250 S - RS | 250 | 1984 → 1990 | | FSB737 | | FSB732 |
| TY 250 Z | 250 | 1993 → 1995 | | FDB2107 | | FDB2107 |
| TY 250 Z SCOTTISH | 250 | 1996 → | | FDB781 | | FDB659 |
| TZ 250 | 250 | 1985 → | | FDB449 | | FDB386 |
| TZ 250 (Radial Caliper) | 250 | 2002 → | (x2) | FDB557 | | FDB2194 |
| TZ 250 A - GP | 250 | 1990 → 2001 | (x2) | FDB557 | | FDB2194 |
| TZ 250 COMPETITION | 250 | 1988 → | (x2) | FDB449 | | |
| TZR 250 | 250 | 1985 → 1989 | | FDB449 | | FDB386 |
| TZR 250 R | 250 | 1994 → | (x2) | FRP408 | | FDB2194 |
| TZR 250 R - SP | 250 | 1989 → 1992 | (x2) | FDB557 | | FDB386 |
| WR 250 F / FN / FT / FV | 250 | 2003 → 2006 | | FDB892 | | FDB2162 |
| WR 250 F / RX | 250 | 2008 → | | FDB892 | | FDB2162 |
| WR 250 FN | 250 | 2001 → 2002 | | FDB892 | | FDB539 |
| WR 250 FW | 250 | 2007 → | | FDB892 | | FDB2162 |
| WR 250 K | 250 | 1998 → | | FDB892 | | FDB539 |
| WR 250 XX (Supermotard) | 250 | 2008 → | | FDB570 | | FDB2162 |
| WR 250 ZD/ZE/ZF | 250 | 1991 → 1994 | | FDB497 | | FDB659 |
| X-CITY 250 | 250 | 2008 → | | FDB664 | | FDB2083 |
| X-MAX 250 (Brembo Front Caliper) NO ABS | 250 | 2005 → 2009 | | FDB2208 | | FDB2083 |
| X-MAX 250 (Nissan Front Caliper) NO ABS | 250 | 2010 → | | FDB2264 | | FDB2083 |
| XL 250 G | 250 | 1980 → | | FSB913 | | FSB733 |
| XS 250 | 250 | 1978 → 1978 | | FDB177 | | FDB177 |
| XS 250 C | 250 | 1980 → | | FSB770 | | FSB736 |
| XS 250 D - E | 250 | 1979 → 1981 | | FDB177 | | FSB736 |
| XS 250 SE - SF SPECIAL | 250 | 1979 → 1981 | | FDB184 | | FSB736 |
| XT 250 | 250 | 1980 → | | FSB733 | | FSB733 |
| XT 250 X | 250 | 2008 → | | FDB2083 | | |
| XV 250 S DRAGSTER | 250 | 2001 → 2003 | | FDB2003 | | FSB947 |
| XV 250 S VIRAGO | 250 | 1995 → 2000 | | FDB2003 | | FSB947 |
| XV 250 VIRAGO | 250 | 1993 → 1994 | | FDB311 | | FSB733 |
| YD 250 S | 250 | 1991 → | | FDB337 | | FSB767 |
| YP 250 A MAJESTY | 250 | 2000 → | | FDB2003 | | FDB2083 |
| YP 250 MAJESTY | 250 | 1996 → 1997 | | FDB2003 | | FSB736 |
| YP 250 MAJESTY DX - ABS | 250 | 1998 → 1999 | | FDB2003 | | FDB2083 |
| YZ / WR 250 | 250 | 2003 → 2007 | | FDB892 | | FDB2162 |
| YZ / WR 250 | 250 | 2008 → | | FDB2219 | | FDB2162 |
| YZ 250 | 250 | 1985 → 1987 | | FDB411 | | FSB733 |
| YZ 250 | 250 | 1988 → | | FDB411 | | FDB383 |
| YZ 250 | 250 | 1989 → | | FDB497 | | FDB661 |
| YZ 250 | 250 | 1995 → 1997 | | FDB497 | | |
| YZ 250 A - B | 250 | 1990 → 1992 | | FDB497 | | FDB659 |
| YZ 250 D - E - F | 250 | 1976 → 1979 | | FSB913 | | FSB767 |
| YZ 250 F | 250 | 2007 → | | FDB2219 | | FDB2162 |
| YZ 250 FN | 250 | 2001 → 2002 | | FDB892 | | FDB539 |
| YZ 250 G | 250 | 1980 → | | FSB913 | | FSB733 |
| YZ 250 H | 250 | 1981 → | | FSB913 | | FSB734 |
| YZ 250 J - K - L | 250 | 1982 → 1984 | | FSB763 | | FSB733 |

* It is recommended that in those applications where sintered pads are supplied as Original Equipment, replacement pads should also be of sintered composition.

** To avoid brake imbalance sintered pads fitted in rear calipers should only be used in combination with front calipers containing sintered pads.

1080



CC

FROM → TO



NOTES



NOTES

...YAMAHA

| | | | | |
|----------------------------|-----|------------------|---------|---------|
| YZ 250 K/L/M | 250 | 1998 → 2000 | FDB892 | FDB539 |
| YZ 250 N | 250 | 2001 → | FDB892 | FDB539 |
| YZ 250 WRA/WRB | 250 | 1990 → 1994 | FDB497 | FDB659 |
| VERITY 300 | 300 | 2004 → | FDB2018 | FDB2018 |
| RD 350 A - B | 350 | 1974 → 1976 | | FSB735 |
| RD 350 all models | 350 | 1985 → 1995 (x2) | FDB386 | FDB386 |
| RD 350 all models | 350 | 1985 → 1995 (x2) | FDB386 | FDB386 |
| RD 350 LC | 350 | 1980 → (x2) | | FSB735 |
| RD 350 LC | 350 | 1981 → 1982 (x2) | FDB277 | FSB735 |
| RD 350 S | 350 | 1974 → 1976 | | FSB735 |
| RD 350 YPVS | 350 | 1983 → 1984 (x2) | FDB311 | FDB337 |
| TT 350 | 350 | 1986 → 1990 | FDB411 | FSB733 |
| TT 350 | 350 | 1991 → 1995 | FDB411 | FDB383 |
| XT 350 | 350 | 1988 → 1990 | FDB583 | FSB733 |
| XT 350 | 350 | 1991 → | FDB583 | FSB733 |
| XT 350 | 350 | 1992 → 1995 | FDB383 | FSB733 |
| XT 350 4 VALVES | 350 | 1985 → | FDB311 | FSB734 |
| XT 350 4 VALVES | 350 | 1986 → 1987 | FDB475 | FSB733 |
| XS 360 B | 360 | 1975 → 1975 | | FSB735 |
| XS 360 C | 360 | 1976 → | FDB177 | FDB177 |
| YZ 360 | 360 | 1989 → | FDB497 | FDB661 |
| 400 ARTESIA | 400 | 1991 → | FDB737 | FDB383 |
| DT 400 MX | 400 | 1975 → 1977 | FSB767 | FSB734 |
| FZ 400 | 400 | 1986 → (x2) | FDB337 | FDB386 |
| FZR 400 R | 400 | 1987 → 1990 (x2) | FDB449 | FDB337 |
| FZR 400 RR - SP | 400 | 1991 → 1992 (x2) | FDB605 | FDB386 |
| RD 400 E - F | 400 | 1978 → | FDB184 | FDB184 |
| SR 400 | 400 | 1977 → | FDB177 | FDB177 |
| SR 400 | 400 | 2014 → | FDB781 | FSB734 |
| SRX 400 | 400 | 1985 → 1986 (x2) | FDB337 | FDB386 |
| SRX 400 | 400 | 1987 → 1989 | FDB449 | FDB386 |
| SRX 400 | 400 | 1990 → 1996 | FDB666 | FDB337 |
| WR 400 F | 400 | 1998 → | FDB892 | FDB659 |
| WR 400 F | 400 | 1999 → 2001 | FDB892 | FDB539 |
| XJ 400 DIVERSION - R | 400 | 1991 → 1994 | FDB2003 | FDB386 |
| XJR 400 R | 400 | 1997 → | FDB2003 | FDB337 |
| XS 400 | 400 | 1979 → 1979 | FDB177 | FSB736 |
| XS 400 DOHC | 400 | 1982 → | FDB311 | FSB736 |
| XS 400 SE | 400 | 1980 → 1981 | FDB184 | FSB736 |
| XS 400 SPECIAL | 400 | 1982 → | FDB311 | FSB736 |
| XV 400 VIRAGO | 400 | 1988 → | FDB591 | FSB765 |
| XVS 400 | 400 | 1998 → 1999 | FDB781 | FSB765 |
| YP 400 MAJESTY | 400 | 2004 → 2004 (x2) | FDB781 | FDB2200 |
| YP 400 MAJESTY (ABS) | 400 | 2007 → (x2) | FDB2003 | FDB2200 |
| YP 400 MAJESTY (NO ABS) | 400 | 2005 → (x2) | FDB2003 | FDB2200 |
| YZ 400 D - E - F | 400 | 1977 → 1979 | FSB913 | FSB767 |
| YZ 400 F | 400 | 1998 → | FDB892 | FDB539 |
| IT 425 G | 425 | 1980 → | FSB913 | FSB767 |
| WR 426 FN | 426 | 2001 → 2002 | FDB892 | FDB539 |
| YZ 426 FM / FN | 426 | 2000 → 2002 | FDB892 | FDB539 |
| WR 450 F | 450 | 2003 → | FDB892 | FDB2162 |
| YZ 450 F | 450 | 2003 → 2007 | FDB892 | FDB2162 |
| YZ 450 F | 450 | 2008 → | FDB2219 | FDB2162 |
| IT 465 H - I | 465 | 1981 → 1982 | FSB763 | FSB734 |
| YZ 465 G - H - J - U | 465 | 1980 → | FSB763 | FSB734 |
| IT 490 L | 490 | 1983 → 1984 | FSB763 | FSB733 |
| YZ 490 | 490 | 1985 → 1987 | FDB411 | FSB734 |
| YZ 490 J | 490 | 1982 → 1982 | FSB763 | FSB734 |
| YZ 490 K - L | 490 | 1983 → 1984 | FSB763 | FSB733 |
| IT 500 G - H | 500 | 1980 → 1981 | FSB913 | FSB767 |
| RD 500 LC | 500 | 1984 → 1986 (x2) | FDB337 | FDB386 |
| RD 500 YPVS LC | 500 | 1984 → 1987 (x2) | FDB337 | FDB386 |
| SR 500 | 500 | 1978 → 1982 | FDB177 | FSB734 |
| SR 500 | 500 | 1993 → | | FSB734 |
| TT 500 G - H | 500 | 1976 → 1981 | FSB913 | FSB767 |
| TX 500 | 500 | 1975 → 1977 | | FSB769 |
| WR 500 B | 500 | 1991 → 1992 | FDB497 | FDB383 |
| WR 500 ZD - ZE | 500 | 1992 → 1993 | FDB497 | FDB659 |
| XP 500 T MAX | 500 | 2001 → 2003 | FDB781 | FDB2126 |
| XP 500 T MAX | 500 | 2004 → 2007 (x2) | FDB2003 | FDB2200 |
| XP 500 T MAX | 500 | 2008 → 2011 (x2) | FDB605 | FDB2200 |
| XP 500 T MAX SV (Tech Max) | 500 | 2011 → (x2) | FDB605 | FDB2200 |

* It is recommended that in those applications where sintered pads are supplied as Original Equipment, replacement pads should also be of sintered composition.

** To avoid brake imbalance sintered pads fitted in rear calipers should only be used in combination with front calipers containing sintered pads.



CC FROM → TO



NOTES



NOTES

...YAMAHA

| | | | | | | |
|-----------------------------------|-----|------|---|-----------|---------|---------|
| XP 500 T MAX SV ABS (Tech Max) | 500 | 2011 | → | (x2) | FDB605 | FDB2200 |
| XS 500 B | 500 | 1975 | → | 1977 | | FSB769 |
| XS 500 C | 500 | 1976 | → | 1979 | FDB177 | FDB177 |
| XT 500 | 500 | 1976 | → | 1981 | FSB767 | FSB734 |
| XT 500 (Austria) | 500 | 1983 | → | | FDB311 | FSB734 |
| XP 530 T MAX | 530 | 2012 | → | (x2) | FDB605 | FDB2126 |
| XP 530 T MAX ABS | 530 | 2012 | → | (x2) | FDB605 | FDB2126 |
| XV 535 VIRAGO | 535 | 1987 | → | 1994 | FDB591 | FSB765 |
| XV 535 VIRAGO | 535 | 1995 | → | 1998 | FDB781 | FSB765 |
| XJ 550 | 550 | 1981 | → | 1984 (x2) | FDB277 | FSB769 |
| XT 550 | 550 | 1982 | → | 1983 | FSB734 | FSB734 |
| XZ 550 | 550 | 1982 | → | 1984 (x2) | FDB311 | FSB769 |
| XZ 550 S | 550 | 1984 | → | 1986 (x2) | FDB311 | FSB769 |
| 600 DIVERSION | 600 | 1992 | → | 1997 | FDB781 | FDB386 |
| FZ 600 | 600 | 1987 | → | 1988 (x2) | FDB337 | FDB386 |
| FZ6 600 / FZ6 600 FAZER ABS | 600 | 2004 | → | (x2) | FDB2003 | FDB754 |
| FZ6 600 S2 / FZ6 600 FAZER S2 ABS | 600 | 2007 | → | (x2) | FDB605 | FDB754 |
| FZR 600 | 600 | 1989 | → | (x2) | FDB337 | FDB337 |
| FZR 600 R | 600 | 1990 | → | (x2) | FDB666 | FDB337 |
| FZR 600 R | 600 | 1991 | → | 1995 (x2) | FDB637 | FDB337 |
| FZS 600 FAZER | 600 | 1999 | → | 2003 | FDB605 | FDB386 |
| SRX 600 | 600 | 1985 | → | 1986 (x2) | FDB386 | FDB386 |
| SRX 600 | 600 | 1987 | → | 1989 (x2) | FDB449 | FDB386 |
| SRX 600 (Espana) | 600 | 1985 | → | (x2) | FDB386 | FDB386 |
| TT 600 | 600 | 1987 | → | 1992 | FDB475 | FSB733 |
| TT 600 | 600 | 1993 | → | | FDB2018 | FDB659 |
| TT 600 L | 600 | 1983 | → | 1984 | FSB763 | FSB733 |
| TT 600 N | 600 | 1985 | → | 2000 | FDB411 | FSB733 |
| TT 600 N | 600 | 1985 | → | 1988 | FDB311 | FSB734 |
| TT 600 R | 600 | 1998 | → | 1999 | FDB2018 | FDB2005 |
| TT 600 R (SPORTKIT) | 600 | 1994 | → | 1997 | FDB2018 | FDB659 |
| TT 600 RE | 600 | 2004 | → | | FDB2018 | FDB2005 |
| TT-R 600 R | 600 | 2000 | → | 2003 | FDB2018 | FDB2005 |
| XJ 600 RADIAN | 600 | 1984 | → | 1991 (x2) | FDB337 | FDB337 |
| XJ 600 S | 600 | 1992 | → | 1997 | FDB781 | FDB386 |
| XJ 600 S | 600 | 1998 | → | 2003 | FDB2003 | FDB386 |
| XJ6 /ABS | 600 | 2013 | → | (x2) | FDB2003 | FDB754 |
| XJ6 ABS SP | 600 | 2013 | → | (x2) | FDB2003 | FDB754 |
| XJ6 Diversion /ABS / F ABS | 600 | 2008 | → | (x2) | FDB2003 | FDB754 |
| XT 600 4 VALVES | 600 | 1984 | → | 1985 | FDB311 | FSB734 |
| XT 600 4 VALVES | 600 | 1986 | → | 1986 | FDB583 | FSB733 |
| XT 600 4 VALVES | 600 | 1987 | → | 1989 | FDB583 | FDB475 |
| XT 600 E - K | 600 | 1991 | → | 1994 | FDB737 | FDB383 |
| XT 600 E - K | 600 | 1995 | → | 2003 | FDB737 | FDB383 |
| XT 600 Z TENERE | 600 | 1983 | → | 1984 | FDB311 | FSB734 |
| XT 600 Z TENERE | 600 | 1985 | → | 1987 | FDB583 | FSB733 |
| XT 600 Z TENERE | 600 | 1988 | → | 1990 | FDB583 | FDB475 |
| XT 600 Z TENERE | 600 | 1991 | → | | FDB737 | FDB383 |
| YZF 600 R | 600 | 2000 | → | (x2) | FDB666 | FDB337 |
| YZF 600 R THUNDERCAT | 600 | 1995 | → | 1998 | FDB605 | FDB337 |
| YZF 600 R6 | 600 | 1999 | → | 2002 | FDB605 | FDB2083 |
| YZF 600 R6 | 600 | 2003 | → | 2012 (x2) | FDB605 | FDB754 |
| KJ 650 | 650 | 1980 | → | (x2) | FDB177 | FSB765 |
| XJ 650 TURBO | 650 | 1983 | → | (x2) | FDB311 | FSB765 |
| XS 650 | 650 | 1975 | → | 1976 (x2) | | FSB735 |
| XS 650 | 650 | 1977 | → | 1981 (x2) | FDB177 | FSB735 |
| XS 650 SE | 650 | 1979 | → | 1980 | FDB177 | FDB177 |
| XS 650 SE | 650 | 1981 | → | | FDB177 | FSB735 |
| XVS 650 A DRAG STAR CLASSIC | 650 | 1998 | → | | FDB781 | FSB765 |
| XVS 650 DRAG STAR | 650 | 1997 | → | | FDB781 | FSB765 |
| MT-03 660 | 660 | 2008 | → | (x2) | FDB2003 | FDB2005 |
| MT-03 660 | 660 | 2008 | → | (x2) | FDB2003 | FDB2005 |
| SZR 660 | 660 | 1996 | → | 1997 | FRP408 | FDB207 |
| XT 660 R | 660 | 2004 | → | | FDB2006 | FDB2005 |
| XT 660 X MOTARD | 660 | 2004 | → | | FDB2042 | FDB2005 |
| XT 660 Z TENERE | 660 | 2008 | → | (x2) | FDB2018 | FDB2005 |
| XTZ 660 TENERE | 660 | 1991 | → | 1998 | FDB737 | FDB383 |
| MT-07 ABS | 700 | 2014 | → | (x2) | FDB605 | FDB754 |
| FZ 750 | 750 | 1985 | → | 1986 (x2) | FDB337 | FDB337 |
| FZ 750 GENESIS | 750 | 1987 | → | 1988 (x2) | FDB337 | FDB337 |
| FZR 750 (O W01) | 750 | 1989 | → | 1991 (x2) | FDB557 | FDB337 |
| FZR 750 GENESIS | 750 | 1987 | → | (x2) | FDB662 | FDB337 |

* It is recommended that in those applications where sintered pads are supplied as Original Equipment, replacement pads should also be of sintered composition.

** To avoid brake imbalance sintered pads fitted in rear calipers should only be used in combination with front calipers containing sintered pads.



CC FROM → TO



NOTES



NOTES

...YAMAHA

| | | | | | | |
|-------------------------------|------|------|---|------|--------------|---------|
| FZX 750 | 750 | 1987 | → | (x2) | FDB337 | FDB337 |
| XJ 750 | 750 | 1982 | → | 1984 | FDB277 | FSB765 |
| XJ 750 F | 750 | 1984 | → | (x2) | FDB337 | FDB337 |
| XS 750 | 750 | 1977 | → | 1979 | (x2) FDB177 | FDB177 |
| XS 750 SE - SG | 750 | 1979 | → | 1980 | FDB247 | FDB177 |
| XTZ 750 SUPER TENERE (left) | 750 | 1989 | → | (x2) | FDB497 | |
| XTZ 750 SUPER TENERE (right) | 750 | 1989 | → | (x2) | FDB631 | FDB631 |
| XV 750 | 750 | 1989 | → | 1993 | (x2) FDB337 | FSB769 |
| XV 750 SE | 750 | 1981 | → | | FDB247 | FSB769 |
| XV 750 VIRAGO | 750 | 1994 | → | 1997 | (x2) FDB781 | FSB769 |
| YZF 750 R7 (OW02) | 750 | 1999 | → | 2001 | (x2) FDB605 | FDB2084 |
| YZF 750 RR-SP | 750 | 1993 | → | 1998 | (x2) FDB864 | FDB337 |
| FAZER 8 (NO ABS/ABS) | 800 | 2011 | → | (x2) | FDB605 | FDB754 |
| FZ8 ABS | 800 | 2011 | → | (x2) | FDB605 | FDB754 |
| FZ8 NO ABS | 800 | 2011 | → | (x2) | FDB605 | FDB754 |
| MT-09 ABS | 850 | 2014 | → | (x2) | FDB605 | FDB754 |
| MT-09 SR ABS | 850 | 2014 | → | (x2) | FDB605 | FDB754 |
| TDM 850 | 850 | 1991 | → | 1995 | (x2) FDB449 | FDB337 |
| TDM 850 | 850 | 1996 | → | 2001 | (x2) FDB662 | FDB337 |
| TRX 850 | 850 | 1995 | → | 1999 | (x2) FDB449 | FDB337 |
| XS 850 | 850 | 2000 | → | (x2) | FDB177 | FDB177 |
| XS 850 (left) | 850 | 1980 | → | 1982 | (x2) FDB247 | FDB177 |
| XS 850 (right) | 850 | 1980 | → | 1982 | (x2) FDB184 | FDB177 |
| TDM 900 | 900 | 2002 | → | (x2) | FDB605 | FDB2156 |
| XJ 900 | 900 | 1983 | → | 1984 | (x2) FDB337 | FDB337 |
| XJ 900 F | 900 | 1985 | → | 1994 | (x2) FDB337 | FDB337 |
| XJ 900 F DIVERSION | 900 | 1995 | → | (x2) | FDB662 | FDB337 |
| XJ 900 SECA DIVERSION | 900 | 1995 | → | 2003 | (x2) FDB781 | FDB337 |
| XV 950 ABS | 950 | 2014 | → | | FDB781 | FDB2156 |
| XV 950 R | 950 | 2014 | → | | FDB781 | FDB2156 |
| XVS 950 A Midnight Star | 950 | 2008 | → | (x2) | FDB781 | FDB2156 |
| FZ1 1000 (NO ABS/ABS) | 1000 | 2006 | → | (x2) | FDB605 | FDB754 |
| FZ1 1000 Fazer (NO ABS/ ABS) | 1000 | 2008 | → | (x2) | FDB605 | FDB754 |
| FZR 1000 EX-UP | 1000 | 1991 | → | 1993 | (x2) FDB637 | FDB337 |
| FZR 1000 GENESIS - EX-UP | 1000 | 1986 | → | 1988 | (x2) FDB449 | FDB337 |
| FZR 1000 GENESIS - EX-UP | 1000 | 1994 | → | 1995 | (x2) FDB864 | FDB337 |
| FZR 1000 R | 1000 | 1994 | → | 1995 | (x2) FDB864 | FDB337 |
| FZR 1000 R - EX-UP | 1000 | 1989 | → | 1990 | (x2) FDB666 | FDB337 |
| FZS 1000 FAZER | 1000 | 2001 | → | 2005 | (x2) FDB605 | FDB2150 |
| GTS 1000 | 1000 | 1993 | → | 1999 | FDB865 | FDB337 |
| XV 1000 SE MIDNIGHT SPECIAL | 1000 | 1983 | → | | FDB277 | FSB765 |
| XV 1000 TR 1 | 1000 | 1981 | → | (x2) | FDB177 | FSB765 |
| XV 1000 VIRAGO | 1000 | 1986 | → | 1988 | (x2) FDB337 | FSB765 |
| YZF 1000 R1 | 1000 | 1998 | → | 2001 | (x2) FDB605 | FDB2084 |
| YZF 1000 R1 | 1000 | 2002 | → | 2003 | (x2) FDB605 | FDB2083 |
| YZF 1000 R1 | 1000 | 2004 | → | 2006 | (x2) FDB605 | FDB754 |
| YZF 1000 R1 | 1000 | 2007 | → | (x2) | FDB2217 | FDB754 |
| YZF 1000 THUNDERACE | 1000 | 1996 | → | 2001 | (x2) FDB605 | FDB337 |
| BT 1100 BULLDOG | 1100 | 2002 | → | (x2) | FDB605 | FDB337 |
| FJ 1100 J | 1100 | 1984 | → | 1985 | (x2) FDB337 | FDB337 |
| XS 1100 | 1100 | 1978 | → | 1980 | (x2) FDB177 | FDB177 |
| XS 1100 S | 1100 | 1981 | → | (x2) | FDB277 | FDB177 |
| XV 1100 VIRAGO | 1100 | 1989 | → | 1993 | (x2) FDB337 | FSB765 |
| XV 1100 VIRAGO | 1100 | 1994 | → | 1998 | (x2) FDB781 | FSB765 |
| XVS 1100 DRAG STAR / CLASSIC | 1100 | 1999 | → | (x2) | FDB2003 | FDB337 |
| FJ 1200 | 1200 | 1986 | → | 1987 | (x2) FDB337 | FDB337 |
| FJ 1200 | 1200 | 1988 | → | 1989 | (x2) FDB662 | FDB337 |
| FJ 1200 | 1200 | 1999 | → | (x2) | FDB2003 | FDB337 |
| FJ 1200 ABS | 1200 | 1991 | → | 1995 | (x2) FDB662 | FDB337 |
| FJ 1200 W - WC | 1200 | 1989 | → | 1991 | (x2) FDB449 | FDB337 |
| XJR 1200 | 1200 | 1994 | → | (x2) | FDB662 | FDB337 |
| XJR 1200 | 1200 | 1995 | → | 1998 | (x2) FDB2042 | FDB337 |
| XT 1200 Z Supertenerere' ABS | 1200 | 2011 | → | (x2) | FDB605 | FDB2156 |
| XVZ 1200 12 T TD | 1200 | 1985 | → | 1987 | (x2) FDB337 | FDB337 |
| YMX 1200 12N V - MAX | 1200 | 1993 | → | 2003 | (x2) FDB666 | FDB337 |
| YMX 1200 12N V - MAX | 1200 | 2000 | → | (x2) | FDB337 | FDB337 |
| FJR 1300 | 1300 | 2001 | → | 2002 | (x2) FDB605 | FDB2126 |
| FJR 1300/FJR 1300 A | 1300 | 2003 | → | 2005 | (x2) FDB605 | FDB2156 |
| FJR 1300A/FJR 1300AS | 1300 | 2006 | → | (x2) | FDB2085 | FDB2156 |
| XJR 1300 | 1300 | 2001 | → | 2012 | (x2) FDB605 | FDB2150 |
| XJR 1300 SP | 1300 | 1999 | → | 2001 | (x2) FDB605 | FDB337 |
| XVS 1300 A Midnight Star /CFD | 1300 | 2008 | → | (x2) | FDB781 | FDB2156 |

* It is recommended that in those applications where sintered pads are supplied as Original Equipment, replacement pads should also be of sintered composition.

** To avoid brake imbalance sintered pads fitted in rear calipers should only be used in combination with front calipers containing sintered pads.



CC FROM → TO



NOTES



NOTES

...YAMAHA

| | | | | | | | |
|---------------------------------|------|------|--------|------|----------------|--|----------------|
| XVS 1300 A Midnight Star Custom | 1300 | 2014 | → | | FDB781 | | FDB2156 |
| XVZ 1300 AH/ATH ROYAL STAR | 1300 | 1996 | → 2001 | (x2) | FDB662 | | FDB449 |
| XVZ 1300 TF VENTURE STAR | 1300 | 1999 | → 2001 | (x2) | FDB781 | | FDB449 |
| XV 1600 A WILD STAR | 1600 | 1999 | → | (x2) | FDB781 | | FDB449 |
| MT-01 1670 | 1670 | 2005 | → 2006 | (x2) | FDB605 | | FDB570 |
| MT-01 1670 | 1670 | 2007 | → | (x2) | FDB2217 | | FDB570 |
| V-MAX | 1680 | 2008 | → | (x2) | FDB2217 | | FDB2156 |
| XV 1700 ROYAL STAR WARRIOR | 1700 | 2002 | → | (x2) | FDB605 | | FDB2156 |
| XV 1900 A MIDNIGHT STAR | 1900 | 2006 | → 2012 | (x2) | FDB605 | | FDB2156 |
| XVS1900A Midnight Star / CFD | 1900 | 2013 | → | (x2) | FDB2085 | | FDB2156 |

ZUNDAPP

| | | | | | | | |
|----------------------|-----|------|---|--|---------------|--|---------------|
| KS 50 SPORT | 50 | | → | | FDB213 | | FSB835 |
| KS 50 SUPER SPORT | 50 | | → | | FDB213 | | FSB835 |
| K 80 | 80 | 1980 | → | | FDB205 | | |
| KS 80 | 80 | 1980 | → | | FDB205 | | |
| KS 80 SUPER | 80 | 1980 | → | | FDB207 | | |
| KS 80 TOURING K | 80 | 1982 | → | | FDB436 | | |
| KS 80 TOURING L | 80 | 1982 | → | | FDB436 | | |
| KS 100 | 100 | | → | | FDB213 | | FSB835 |
| KS 125 | 125 | 1980 | → | | FDB205 | | |
| KS 125 | 125 | 1982 | → | | FDB108 | | |
| KS 175 | 175 | 1982 | → | | FDB108 | | |
| SUPER COMBINETTE 429 | 429 | | → | | FSB836 | | FSB836 |
| SUPER COMBINETTE 433 | 433 | | → | | FSB836 | | FSB836 |
| FALCONETTE 435 | 435 | | → | | FSB836 | | FSB836 |
| KS 50 500 | 500 | | → | | FSB836 | | FSB836 |
| KS 75 500 | 500 | | → | | FSB836 | | FSB836 |

* It is recommended that in those applications where sintered pads are supplied as Original Equipment, replacement pads should also be of sintered composition.

** To avoid brake imbalance sintered pads fitted in rear calipers should only be used in combination with front calipers containing sintered pads.

FERODO™

MOTORCYCLE PADS



ATV/Snowmobile Applications

FERODO®

MOTORCYCLE PADS



CC FROM -> TO



NOTES



NOTES

ADLY ATV

| | | | | | | |
|-----------------|-----|------|---|------|--------|--------|
| 300 Utility | 300 | 2006 | - | (x2) | FDB313 | FDB313 |
| Interceptor 300 | 300 | 2006 | - | (x2) | FDB313 | FDB313 |

ARCTIC CAT ATV

| | | | | | | |
|------------------------------|-----|------|--------|------|---------|--------------|
| F-series Diamond Drive | | 2005 | - | | FDB2214 | |
| 50 DVX (4T) | 50 | 2006 | - 2008 | (x2) | FSB753 | FDB2096 |
| 50 Utility | 50 | 2006 | - 2008 | (x2) | FSB753 | FDB2096 |
| 50-Y6 Youth (2T) | 50 | 2004 | - 2006 | (x2) | FSB753 | FSB760 |
| 90 DVX | 90 | 2006 | - 2010 | (x2) | FSB753 | FDB2096 |
| 90 DVX SE | 90 | 2009 | - | (x2) | FSB753 | FDB2096 |
| 90 DVX SE | 90 | 2009 | - | (x2) | FSB753 | FDB2096 |
| 90 Reverse Gear Model | 90 | 2010 | - 2012 | (x2) | FSB753 | FDB2096 |
| 90 Utility (2 x 4) | 90 | 2006 | - 2010 | (x2) | FSB753 | FDB2096 |
| 90-Y12 Youth (2T-4T) | 90 | 2002 | - 2005 | (x2) | FSB753 | FSB966 |
| 150 Utility 2x4 | 150 | 2009 | - 2010 | (x2) | FSB753 | FDB2096 |
| 250 (2x4/4x4) | 250 | 1999 | - 2004 | (x2) | FDB2175 | FDB2175 |
| 250 DVX | 250 | 2006 | - 2008 | (x2) | FDB2184 | FDB2141 |
| 250 Utility 2 x 4 | 250 | 2006 | - 2009 | (x2) | FDB2184 | FDB2184 (x2) |
| 300 (2x4/4x4) | 300 | 1998 | - 2004 | (x2) | FDB2175 | FDB2175 |
| 300 DVX | 300 | 2009 | - 2010 | (x2) | FDB2184 | FDB2141 (x2) |
| 375 (Auto) | 375 | 2001 | - | (x2) | FDB2175 | FDB2175 |
| 400 (2x4/4x4) | 400 | 1998 | - 2004 | (x2) | FDB2175 | FDB2175 |
| 400 DVX | 400 | 2004 | - 2008 | (x2) | FDB381 | FDB2016 |
| 440 (4x4) | 440 | 2002 | - 2003 | (x2) | FDB2175 | FDB2175 |
| BEAR CAT 450 (2x4/4x4) | 450 | 1996 | - 1997 | (x2) | FDB2175 | FDB2175 |
| BEAR CAT 454 (2x4/4x4) | 454 | 1996 | - 2000 | (x2) | FDB2175 | FDB2175 |
| 500 (4x4,Manual,Auto) | 500 | 1998 | - 2004 | (x2) | FDB2175 | FDB2175 |
| 650 H1 4 X 4 Auto LE Utility | 650 | 2007 | - | (x2) | FDB2175 | FDB2175 |

BOMBARDIER ATV

| | | | | | | |
|--|------|------|--------|------|---------|---------|
| DS 50 (2 STROKE) | 50 | 2002 | - 2006 | (x2) | FSB753 | FSB713 |
| QUEST 50 | 50 | 2003 | - 2004 | (x2) | FSB753 | FSB713 |
| DS 90 (2 STROKE / 4 STROKE) | 90 | 2002 | - 2006 | (x2) | FSB753 | FSB713 |
| QUEST 90 (2 STROKE / 4 STROKE) | 90 | 2003 | - 2004 | (x2) | FSB753 | FSB713 |
| RALLY 200 | 200 | 2003 | - 2007 | (x2) | FDB313 | |
| DS 250 | 250 | 2006 | - 2007 | (x2) | FDB2184 | FDB2184 |
| OUTLANDER 330 HO (left) | 330 | 2004 | - 2005 | | FDB2148 | FDB2148 |
| OUTLANDER 330 HO (right) | 330 | 2004 | - 2005 | | FDB2149 | |
| Outlander 400 (STD/MAX HO) (Right) | 400 | 2003 | - 2006 | | FDB2149 | |
| Outlander 400 (STD/MAX HO) Left | 400 | 2003 | - 2006 | | FDB2148 | FDB2148 |
| QUEST 500 (2x4/4x4) (left) | 500 | 2002 | - 2004 | | FDB2148 | FDB2149 |
| QUEST 500 (2x4/4x4) (right) | 500 | 2002 | - 2004 | | FDB2149 | |
| TRAXTER 500 (4x4/XL/Autoshift) | 500 | 1999 | - 2001 | (x2) | FDB2074 | FDB2074 |
| TRAXTER 500 (4x4/XL/Autoshift) (left) | 500 | 2001 | - 2005 | | FDB2148 | FDB2149 |
| TRAXTER 500 (4x4/XL/Autoshift) (right) | 500 | 2001 | - 2005 | | FDB2149 | |
| DS 650 (BAJA/X) (left) | 650 | 2000 | - 2006 | | FDB2148 | FDB2148 |
| DS 650 (BAJA/X) (right) | 650 | 2000 | - 2006 | | FDB2149 | |
| Outlander 650 HO Efi (4x4/XT/Max) (Left) | 650 | 2006 | - | | FDB2148 | FDB2148 |
| Outlander 650 HO Efi (4x4/XT/Max) (Right) | 650 | 2006 | - | | FDB2149 | |
| Quest 650 (2x4/4x4/XT/Max) (Left) | 650 | 2002 | - 2005 | | FDB2148 | FDB2149 |
| Quest 650 (2x4/4x4/XT/Max) (Right) | 650 | 2002 | - 2005 | | FDB2149 | |
| TRAXTER 650 (Max/XT-4x4/Footshift) (Left) | 650 | 2001 | - 2005 | | FDB2148 | FDB2149 |
| TRAXTER 650 (Max/XT-4x4/Footshift) (Right) | 650 | 2001 | - 2005 | | FDB2149 | |
| Traxter 650 (XT-4x4/Footshift) | 650 | 2000 | - | (x2) | FDB2074 | FDB2074 |
| Outlander 800 (All models) (Left) | 800 | 2006 | - | | FDB2148 | FDB2148 |
| Outlander 800 (All models) (Right) | 800 | 2006 | - | | FDB2149 | |
| TRAXTER 1000 XL (Left) | 1000 | 2004 | - | | FDB2148 | FDB2149 |
| TRAXTER 1000 XL (Right) | 1000 | 2004 | - | | FDB2149 | |

CAN AM ATV

| | | | | | | |
|--|-----|------|--------|------|---------|---------|
| DS 70 (2x4/4T) Mini | 70 | 2008 | - | (x2) | FSB753 | FSB966 |
| DS 90 Mini 4 Stroke | 90 | 2007 | - | (x2) | FSB753 | FSB713 |
| DS 90 X (2x4/4T) | 90 | 2008 | - 2010 | (x2) | FDB313 | FDB313 |
| Rally 200 | 200 | 2007 | - | (x2) | FDB313 | FDB2148 |
| DS 250 | 250 | 2007 | - 2009 | (x2) | FDB2184 | FDB2184 |
| Outlander 400 (STD/XT/EFI 4x4) (Left) | 400 | 2007 | - 2010 | | FDB2148 | FDB2148 |
| Outlander 400 (STD/XT/EFI 4x4) (Right) | 400 | 2007 | - 2010 | | FDB2149 | |

* It is recommended that in those applications where sintered pads are supplied as Original Equipment, replacement pads should also be of sintered composition.

** To avoid brake imbalance sintered pads fitted in rear calipers should only be used in combination with front calipers containing sintered pads.

2000



CC

FROM → TO



NOTES



NOTES

...CAN AM ATV

| | | | | |
|--|------|-------------|---------|---------|
| Outlander Max 400 (STD/XT 4x4) (Left) | 400 | 2007 → 2010 | FDB2148 | FDB2148 |
| Outlander Max 400 (STD/XT 4x4) (Right) | 400 | 2007 → 2010 | FDB2149 | |
| DS 450 (2x4/EFI) | 450 | 2008 → 2012 | FDB2271 | FDB2272 |
| DS 450 X (2x4/EFI) | 450 | 2008 → 2009 | FDB2271 | FDB2272 |
| DS 450 Xxc/Xxm | 450 | 2009 → 2012 | FDB2271 | FDB2272 |
| Outlander 500 (STD/XT 4x4) (Left) | 500 | 2007 → 2010 | FDB2148 | FDB2148 |
| Outlander 500 (STD/XT 4x4) (Right) | 500 | 2007 → 2010 | FDB2149 | |
| Outlander 500 4 x 4 (STD/DPS/XT) - left side | 500 | 2013 → | FDB2274 | |
| Outlander 500 4 x 4 (STD/DPS/XT) - right side | 500 | 2013 → | FDB2273 | FDB2273 |
| Outlander Max 500 (STD/XT 4x4) (Left) | 500 | 2007 → 2010 | FDB2148 | FDB2148 |
| Outlander Max 500 (STD/XT 4x4) (Right) | 500 | 2007 → 2010 | FDB2149 | |
| Outlander Max 500 4 x 4 (STD/DPS/XT) - left side | 500 | 2013 → | FDB2274 | |
| Outlander Max 500 4 x 4 (STD/DPS/XT) - right side | 500 | 2013 → | FDB2273 | FDB2273 |
| Renegade 500 (4x4/EFI) (Left) | 500 | 2008 → 2010 | FDB2148 | FDB2148 |
| Renegade 500 (4x4/EFI) (Right) | 500 | 2008 → 2010 | FDB2149 | |
| Renegade 500 (STD) - left side | 500 | 2012 → 2013 | FDB2274 | |
| Renegade 500 (STD) - right side | 500 | 2012 → 2013 | FDB2273 | FDB2273 |
| DS 650 X (Left) | 650 | 2007 → | FDB2148 | FDB2148 |
| DS 650 X (Right) | 650 | 2007 → | FDB2149 | |
| Outlander 650 (STD/XT 4x4) (Left) | 650 | 2007 → 2010 | FDB2148 | FDB2148 |
| Outlander 650 (STD/XT 4x4) (Right) | 650 | 2007 → 2010 | FDB2149 | |
| Outlander 650 4 x 4 (STD/DPS/XT) - left side | 650 | 2013 → | FDB2274 | |
| Outlander 650 4 x 4 (STD/DPS/XT) - right side | 650 | 2013 → | FDB2273 | FDB2273 |
| Outlander Max 650 (STD/XT 4x4) (Left) | 650 | 2007 → 2010 | FDB2148 | FDB2148 |
| Outlander Max 650 (STD/XT 4x4) (Right) | 650 | 2007 → 2010 | FDB2149 | |
| Outlander 800 (STD/XT 4x4) (Left) | 800 | 2007 → 2008 | FDB2148 | FDB2148 |
| Outlander 800 (STD/XT 4x4) (Right) | 800 | 2007 → 2008 | FDB2149 | |
| Outlander 800 R (EFI/XT) (Left) | 800 | 2009 → 2010 | FDB2148 | FDB2148 |
| Outlander 800 R (EFI/XT) (Right) | 800 | 2009 → 2010 | FDB2149 | |
| Outlander 800 R 4 x 4 (STD/DPS/XT/XT-P) - left side | 800 | 2013 → | FDB2274 | |
| Outlander 800 R 4 x 4 (STD/DPS/XT/XT-P) - right side | 800 | 2013 → | FDB2273 | FDB2273 |
| Outlander 800 R STD - left side | 800 | 2012 → | FDB2274 | |
| Outlander 800 R STD - right side | 800 | 2012 → | FDB2273 | FDB2273 |
| Outlander 800 R XT - left side | 800 | 2012 → 2013 | FDB2274 | |
| Outlander 800 R XT - right side | 800 | 2012 → 2013 | FDB2273 | FDB2273 |
| Outlander Max 800 (Ltd/STD/XT 4x4) (Left) | 800 | 2007 → 2008 | FDB2148 | FDB2148 |
| Outlander Max 800 (Ltd/STD/XT 4x4) (Right) | 800 | 2007 → 2008 | FDB2149 | |
| Outlander Max 800 R (EFI/XT) (Left) | 800 | 2009 → 2010 | FDB2148 | FDB2148 |
| Outlander Max 800 R (EFI/XT) (Right) | 800 | 2009 → 2010 | FDB2149 | |
| Renegade 800 (4x4/EFI) (STD/X) (Left) | 800 | 2007 → 2008 | FDB2148 | FDB2148 |
| Renegade 800 (4x4/EFI) (STD/X) (Right) | 800 | 2007 → 2008 | FDB2149 | |
| Renegade 800 R (EFI/X) (Left) | 800 | 2009 → 2010 | FDB2148 | FDB2148 |
| Renegade 800 R (EFI/X) (Right) | 800 | 2009 → 2010 | FDB2149 | |
| Renegade 800 R STD - left side | 800 | 2012 → 2013 | FDB2274 | |
| Renegade 800 R STD - right side | 800 | 2012 → 2013 | FDB2273 | FDB2273 |
| Renegade 800 R Xxc - left side | 800 | 2012 → 2013 | FDB2274 | FDB2274 |
| Renegade 800 R Xxc - right side | 800 | 2012 → 2013 | FDB2273 | FDB2273 |
| Outlander 1000 4 x 4 (DPS/XT/XT-P) - left side | 1000 | 2013 → | FDB2274 | |
| Outlander 1000 4 x 4 (DPS/XT/XT-P) - right side | 1000 | 2013 → | FDB2273 | FDB2273 |
| Outlander 1000 4 x 4 (LTD) - left side | 1000 | 2013 → | FDB2274 | |
| Outlander 1000 4 x 4 (LTD) - right side | 1000 | 2013 → | FDB2273 | FDB2273 |
| Outlander 1000 4 x 4 (XMR) - left side | 1000 | 2013 → | FDB2274 | |
| Outlander 1000 4 x 4 (XMR) - right side | 1000 | 2013 → | FDB2273 | FDB2273 |
| Outlander 1000 STD - left side | 1000 | 2012 → 2013 | FDB2274 | FDB2274 |
| Outlander 1000 STD - right side | 1000 | 2012 → 2013 | FDB2273 | FDB2273 |
| Outlander 1000 XT - left side | 1000 | 2013 → | FDB2274 | FDB2274 |
| Outlander 1000 XT - right side | 1000 | 2013 → | FDB2273 | FDB2273 |
| Outlander Max 1000 4 x 4 (DPS/XT/XT-P) - left side | 1000 | 2013 → | FDB2274 | |
| Outlander Max 1000 4 x 4 (DPS/XT/XT-P) - right side | 1000 | 2013 → | FDB2273 | FDB2273 |
| Renegade 1000 STD - left side | 1000 | 2013 → | FDB2274 | FDB2274 |
| Renegade 1000 STD - right side | 1000 | 2013 → | FDB2273 | FDB2273 |
| Renegade 1000 Xxc - left side | 1000 | 2013 → | FDB2274 | FDB2274 |
| Renegade 1000 Xxc - right side | 1000 | 2013 → | FDB2273 | FDB2273 |

CANNONDALE ATV

| | | | | |
|-------------------------------------|-----|-------------|---------|---------|
| CANNIBAL 400 BLACK / SILVER (left) | 400 | 2002 → 2003 | FDB2148 | FDB2148 |
| CANNIBAL 400 BLACK / SILVER (right) | 400 | 2002 → 2003 | FDB2149 | |
| FX 400 (left) | 400 | 2001 → | FDB2149 | |
| FX 400 (right) | 400 | 2001 → | FDB2148 | FDB2148 |
| BLAZE 440 (left) | 440 | 2002 → 2003 | FDB2148 | FDB2148 |
| BLAZE 440 (right) | 440 | 2002 → 2003 | FDB2149 | |

* It is recommended that in those applications where sintered pads are supplied as Original Equipment, replacement pads should also be of sintered composition.

** To avoid brake imbalance sintered pads fitted in rear calipers should only be used in combination with front calipers containing sintered pads.



CC

FROM → TO



NOTES



NOTES

CANNONDALE ATV

| | | | | | | |
|--------------------|-----|------|--------|--|---------|---------|
| GLAMIS 440 (left) | 440 | 2003 | → | | FDB2148 | FDB2148 |
| GLAMIS 440 (right) | 440 | 2003 | → | | FDB2149 | |
| MOTO 440 (left) | 440 | 2002 | → 2003 | | FDB2148 | FDB2148 |
| MOTO 440 (right) | 440 | 2002 | → 2003 | | FDB2149 | |
| SPEED 440 (left) | 440 | 2002 | → 2003 | | FDB2148 | FDB2148 |
| SPEED 440 (right) | 440 | 2002 | → 2003 | | FDB2149 | |

CFMOTO

| | | | | | | |
|--|-----|------|-------------|--|--------|---------|
| CF 500(Terracross) Left | 500 | 2011 | → 2012 | | FDB631 | FDB2193 |
| CF 500(Terracross) Right | 500 | 2011 | → 2012 | | FDB497 | |
| CF 500-3 (Rancher 500 Side x Side) Left | 500 | 2010 | → 2012 | | FDB631 | FDB2193 |
| CF 500-3 (Rancher 500 Side x Side) Right | 500 | 2010 | → 2012 | | FDB497 | |
| CF 625 - B/C (X6 Terranlander) | 625 | 2011 | → 2012 (x2) | | | FDB2193 |
| CF 625-3 (Z6 Terracross) Left | 625 | 2011 | → 2012 | | FDB631 | FDB2193 |
| CF 625-3 (Z6 Terracross) Right | 625 | 2011 | → 2012 | | FDB497 | |
| CF 800-2 (Terranlander) | 800 | 2012 | → (x2) | | | FDB2193 |

CPI ATV

| | | | | | | |
|--------|-----|------|---|--|---------|--------|
| 250 XS | 250 | 2006 | → | | FDB2184 | FDB631 |
|--------|-----|------|---|--|---------|--------|

DINLI ATV

| | | | | | | |
|-----------------|----|------|---|--|--|--------|
| Diamond Back 90 | 90 | 2006 | → | | | FDB313 |
|-----------------|----|------|---|--|--|--------|

E-TON ATV

| | | | | | | |
|-------------------------------------|-----|------|-------------|--------|--|--------|
| IXL 40 Rascal | 40 | 1998 | → 2001 | | | FSB713 |
| RXL-40E Viper Junior | 40 | 2001 | → 2006 | | | FSB713 |
| Viper 40 E | 40 | 1999 | → 2008 | | | FSB713 |
| AXL 50 Lightning 50 | 50 | 1999 | → 2000 (x2) | FSB756 | | |
| BXL-50 Draco | 50 | 2005 | → 2006 (x2) | FSB756 | | FDB313 |
| NXL 50 Lightning 50 | 50 | 2001 | → 2002 (x2) | FSB756 | | |
| TXL 50 Wizz 50 | 50 | 1998 | → 1999 (x2) | FSB756 | | |
| Viper 50 Mini RXL 50 M (4T) | 50 | 2003 | → 2008 | | | FDB313 |
| Viper 50 RXL 50 | 50 | 2003 | → 2006 | | | FDB313 |
| Viper 70 RLX 70/70M (2T/4T) | 70 | 2005 | → 2009 (x2) | FSB756 | | FDB313 |
| AXL 90 Thunder | 90 | 1999 | → 2000 (x2) | FSB756 | | FSB713 |
| DXL-90 Sierra | 90 | 1999 | → 2003 (x2) | FSB727 | | FSB713 |
| NXL 90 Thunder | 90 | 2001 | → 2002 (x2) | FSB756 | | FSB713 |
| RXL 90 R Viper 90 R Reverse (2T/4T) | 90 | 2003 | → 2009 (x2) | FSB756 | | FDB313 |
| RXL 90 Viper 90 | 90 | 2003 | → 2006 (x2) | FSB756 | | FDB313 |
| BXL 100 Draco | 100 | 2005 | → 2006 (x2) | FSB756 | | FDB313 |
| CXL 150 Yukon II/Challenger | 150 | 2002 | → 2009 (x2) | FSB704 | | FDB631 |
| RXL 150 Viper | 150 | 2005 | → 2006 (x2) | FSB704 | | FDB631 |
| RXL 150 Viper R | 150 | 2005 | → 2009 (x2) | FSB704 | | FDB631 |
| Viper EXL 150 ST Quad | 150 | 2005 | → 2006 (x2) | FDB313 | | FSB713 |
| Yukon ELX 150 | 150 | 2005 | → 2006 (x2) | FDB313 | | FSB713 |
| YXL 150 Yukon | 150 | 2000 | → 2002 (x2) | FSB704 | | FSB713 |
| Vector VXL 250 ST Quad | 250 | 2006 | → 2009 (x2) | FDB313 | | FDB313 |

GASGAS ATV

| | | | | | | |
|-------------|-----|------|-------------|---------|--|---------|
| WILD HP 50 | 50 | 2002 | → 2005 (x2) | FDB2018 | | FDB2018 |
| HP 125 | 125 | 2007 | → 2008 (x2) | FDB2018 | | FDB2018 |
| HP 200 | 200 | 2008 | → (x2) | FDB2018 | | FDB2018 |
| WILD HP 240 | 240 | 2002 | → 2005 (x2) | FDB2018 | | FDB2018 |
| WILD HP 250 | 250 | 2008 | → (x2) | FDB2018 | | FDB2018 |
| HP 300 RV | 300 | 2006 | → (x2) | FDB2018 | | FDB2018 |
| WILD HP 300 | 300 | 2002 | → 2005 (x2) | FDB2018 | | FDB2018 |
| WILD HP 450 | 450 | 2002 | → 2008 (x2) | FDB2018 | | FDB2018 |
| WILD HP 515 | 515 | 2009 | → (x2) | FDB2018 | | FDB2018 |

HONDA 3 WHEELERS

| | | | | | | |
|--------|----|------|--------|--|--|--------|
| ATC 70 | 70 | 1976 | → 1977 | | | FSB704 |
| ATC 70 | 70 | 1978 | → 1985 | | | FSB706 |

* It is recommended that in those applications where sintered pads are supplied as Original Equipment, replacement pads should also be of sintered composition.

** To avoid brake imbalance sintered pads fitted in rear calipers should only be used in combination with front calipers containing sintered pads.

2002



CC

FROM → TO



NOTES



NOTES

...HONDA 3 WHEELERS

| | | | | | |
|-------------------------|-----|-------------|--------|--|--------|
| ATC 90 | 90 | 1973 → 1978 | | | FSB760 |
| ATC 110 | 110 | 1979 → 1985 | | | FSB760 |
| ATC 125 | 125 | 1984 → 1987 | FSB704 | | FSB760 |
| ATC 185 | 185 | 1980 → 1983 | FSB704 | | FSB760 |
| ATC 200 (Drum Brake) | 200 | 1981 → 1986 | FSB704 | | FSB760 |
| ATC 200 X (Disc Brake) | 200 | 1983 → 1987 | FDB381 | | FDB381 |
| ATC 250 R | 250 | 1981 → 1982 | FDB250 | | FSB760 |
| ATC 250 R | 250 | 1983 → 1984 | FDB381 | | FDB381 |
| ATC 250 R | 250 | 1985 → 1986 | FDB382 | | FDB382 |
| ATC 250 SX / ES BIG RED | 250 | 1985 → 1987 | FSB760 | | FSB742 |
| ATC 350 X | 350 | 1985 → 2000 | FDB382 | | FDB381 |
| ATC 350 X | 350 | 1986 → 2000 | FDB495 | | FDB381 |

HONDA ATV

| | | | | | |
|---|-----|------------------|---------|--|---------|
| TRX 70 Fourtrax | 70 | 1986 → 1987 (x2) | FSB753 | | FSB713 |
| TRX 90 (Fourtrax/Sportrax/EX/X) | 90 | 1993 → 2009 (x2) | FSB704 | | FSB760 |
| TRX 125 Fourtrax | 125 | 1985 → 1988 (x2) | FSB704 | | FSB760 |
| TRX 200 (Fourtrax/SX Fourtrax/D Type II Fourtrax) | 200 | 1986 → 1998 (x2) | FSB945 | | FSB760 |
| TRX 200 Fourtrax | 200 | 1984 → (x2) | FSB925 | | FSB760 |
| FL 250 ODYSSEY | 250 | 1977 → 1984 (x2) | | | FSB760 |
| TRX 250 D RECON/TE-TEA Recon ES/TM-TMA Recon | 250 | 1997 → 2010 (x2) | FSB945 | | FSB755 |
| TRX 250 Drum Brake | 250 | 1985 → 1987 (x2) | FSB925 | | FSB742 |
| TRX 250 EX Fourtrax/Sportrax/X/XA | 250 | 2001 → 2010 (x2) | FDB381 | | FSB755 |
| TRX 250 Fourtrax | 250 | 1985 → 1987 (x2) | FSB925 | | FSB742 |
| TRX 250 R Fourtrax | 250 | 1986 → 1989 (x2) | FDB495 | | FDB382 |
| TRX 250 X Fourtrax | 250 | 1987 → 1992 (x2) | FDB381 | | FDB381 |
| TRX 300 (2WD) Fourtrax | 300 | 1988 → 2000 (x2) | FSB945 | | FSB742 |
| TRX 300 (4WD) FW Fourtrax | 300 | 1988 → 2000 (x2) | FSB931 | | FSB742 |
| TRX 300 EX Fourtrax | 300 | 1993 → 2008 (x2) | FDB381 | | FDB381 |
| TRX 300 X | 300 | 2009 → (x2) | FDB381 | | FDB381 |
| FL 350 R ODYSSEY | 350 | 1985 → 1990 (x2) | FSB925 | | |
| TRX 350 TM/TE/FE/FM Fourtrax Rancher | 350 | 2000 → 2007 (x2) | FSB931 | | FSB946 |
| TRX 350/TRX 350D Fourtrax/Foreman | 350 | 1986 → 1989 (x2) | FSB944 | | FSB761 |
| FL 400 R Pilot | 400 | 1989 → 1990 (x2) | FSB925 | | |
| TRX 400 Fourtrax Rancher | 400 | 2004 → 2007 (x2) | FSB931 | | FSB946 |
| TRX 400 EX Fourtrax/Sportrax | 400 | 1999 → 2008 (x2) | FDB381 | | FDB381 |
| TRX 400 FW / FM Fourtrax Foreman | 400 | 1995 → 2003 (x2) | FDB381 | | FSB946 |
| TRX 400 X | 400 | 2009 → (x2) | FDB381 | | FDB381 |
| TRX 420 FA/FPA P.S. Fourtrax Rancher | 420 | 2009 → 2010 (x2) | FDB381 | | FDB2182 |
| TRX 420 FPE/FPM Fourtrax Rancher 4x4 | 420 | 2009 → 2010 (x2) | FDB381 | | FSB946 |
| TRX 420 TM/TE/FE/FM Fourtrax Rancher | 420 | 2007 → 2010 (x2) | FDB381 | | FSB946 |
| TRX 450 FE/FM Fourtrax Foreman ES / S | 450 | 1998 → 2004 (x2) | FSB931 | | FSB946 |
| TRX 450 R/ER | 450 | 2004 → 2009 (x2) | FDB892 | | FDB2182 |
| TRX 500 FA Fourtrax Rubicon | 500 | 2001 → 2004 (x2) | FSB931 | | FSB761 |
| TRX 500 FA/FAA Fourtrax Foreman Rubicon | 500 | 2005 → 2010 (x2) | FDB2195 | | FSB761 |
| TRX 500 FGA Fourtrax Foreman Rubicon Gpscape | 500 | 2001 → 2005 (x2) | FSB931 | | FSB761 |
| TRX 500 FGA Fourtrax Foreman Rubicon Gpscape | 500 | 2005 → 2009 (x2) | FDB2195 | | FSB761 |
| TRX 500 FPA9 Fourtrax Foreman Rub. Gpscape EPS | 500 | 2009 → (x2) | FDB2195 | | FSB761 |
| TRX 500 TM/FE/FA/FMA/FPE/FPM Fourtrax Foreman | 500 | 2005 → 2010 (x2) | FDB2195 | | FSB761 |
| TRX 650 FA Rincon / FGA Fourtrax Rincon Gpscape | 650 | 2003 → 2005 (x2) | FSB931 | | FDB2182 |
| TRX 680 Fourtrax Rincon | 680 | 2006 → 2010 (x2) | FDB2195 | | FDB2182 |
| TRX 680 Fourtrax Rincon Gpscape | 680 | 2006 → 2009 (x2) | FDB2195 | | FDB2182 |
| TRX 700 XX (8/XX9) | 700 | 2008 → 2009 (x2) | FDB892 | | FDB2195 |

HYOSUNG ATV

| | | | | | |
|---------------|-----|------------------|---------|--|---------|
| RAPIER 450 /S | 450 | 2008 → (x2) | FDB2016 | | FDB2016 |
| TE 450 S | 450 | 2007 → 2010 (x2) | FDB250 | | FDB250 |

JOHN DEERE ATV

| | | | | | |
|---|-----|-------------|---------|--|---------|
| 4PX Gator 4x2/4x4 4x4 Trail 9345 | | 2004 → 2005 | FDB2272 | | FDB2272 |
| HPX 4 x2 (Petrol) Gator | | 2010 → 2011 | FDB2272 | | FDB2272 |
| HPX 4 x4 / 4 x 4 Trail (Petrol) - Gator | | 2010 → 2011 | FDB2272 | | FDB2272 |
| HPX 4x4 (Diesel) - Gator - (SN040000) | | 2010 → | FDB2272 | | FDB2272 |
| HPX Gator 4x2/4x4 9446 | | 2004 → 2008 | FDB2272 | | FDB2272 |
| TX Gator Utility 9461 | | 2004 → 2005 | FDB2272 | | FDB2272 |
| TX Turf Gator 9462 | | 2004 → 2005 | FDB2272 | | FDB2272 |
| Buck 500 EX (Left) | 500 | 2004 → 2008 | FDB2148 | | FDB2149 |

* It is recommended that in those applications where sintered pads are supplied as Original Equipment, replacement pads should also be of sintered composition.

** To avoid brake imbalance sintered pads fitted in rear calipers should only be used in combination with front calipers containing sintered pads.



CC

FROM → TO



NOTES



NOTES

...JOHN DEERE ATV

| | | | | |
|----------------------------|-----|-------------|---------|---------|
| Buck 500 EX (Right) | 500 | 2004 → 2008 | FDB2149 | |
| Trail Buck 500 EX (Left) | 500 | 2004 → 2005 | FDB2148 | FDB2149 |
| Trail Buck 500 EX (Right) | 500 | 2004 → 2005 | FDB2149 | |
| Buck 650 EXT (Left) | 650 | 2004 → 2008 | FDB2148 | FDB2149 |
| Buck 650 EXT (Right) | 650 | 2004 → 2008 | FDB2149 | |
| Trail Buck 650 EXT (Left) | 650 | 2004 → 2005 | FDB2148 | FDB2149 |
| Trail Buck 650 EXT (Right) | 650 | 2004 → 2005 | FDB2149 | |

KAWASAKI 3 WHEELERS

| | | | | |
|------------------------|-----|------------------|--------|--------|
| KLT 110 A1 / A2 / A3 | 110 | 1984 → 1986 | FSB722 | FSB721 |
| KLT 160 A1 | 160 | 1985 → 2000 | FSB722 | FSB721 |
| KLT 185 A1 / A2 | 185 | 1986 → 1987 | FSB722 | FSB721 |
| KLT 200 All Models | 200 | 1981 → 1984 | FSB722 | FSB799 |
| KLT 250 All Models | 250 | 1982 → 2000 | FSB722 | FSB799 |
| KXT 250 A2 / B1 TECATE | 250 | 1985 → 1986 | FDB314 | FDB314 |
| KXT 250 B2 TECATE | 250 | 1987 → 2000 (x2) | FDB314 | FDB381 |
| KXT 250 TECATE | 250 | 1984 → 2000 | FSB799 | FDB313 |

KAWASAKI ATV

| | | | | |
|--|-----|------------------|---------|-------------|
| KFX 50 / KSF 50 | 50 | 2007 → 2009 (x2) | FSB756 | FDB2096 |
| KSF 50 / KFX 50 | 50 | 2003 → 2007 (x2) | FSB727 | FSB723 |
| KSF 80 / KFX 80 | 80 | 2003 → 2006 (x2) | FSB727 | FSB776 |
| KFX 90 / KSF 90 | 90 | 2007 → 2010 (x2) | FSB756 | FDB2096 |
| KSF 90 / KFX 90 | 90 | 2006 → 2007 (x2) | FSB727 | FSB776 |
| KLF 110 MOJAVE A / B | 110 | 1987 → 1988 (x2) | FSB722 | FSB721 |
| KLF 185 BAYOU A1 Series | 185 | 1985 → 2000 | | FSB718 |
| KLF 185 BAYOU A2 / A3 / A4 | 185 | 1986 → 1988 (x2) | FSB799 | FSB718 |
| KLF 220 BAYOU A Series | 220 | 1988 → 2002 (x2) | FSB799 | FSB718 |
| KLF 250 BAYOU A Series | 250 | 2003 → 2010 (x2) | FSB799 | FSB718 |
| KSF 250 A8 - A9 | 250 | 1994 → 1995 (x2) | FDB2013 | FDB661 |
| KSF 250 MOJAVE A Series | 250 | 1987 → 2005 (x2) | FDB2013 | FDB381 |
| KXF 250 Tecate | 250 | 1987 → 1988 | FDB2013 | FDB381 |
| KXF 250 Tecate | 250 | 1989 → (x2) | FDB2013 | FDB313 |
| KEF 300 LAKOTA A Series, LAKOTA SPORT B Series | 300 | 1995 → 2003 (x2) | FDB2013 | FDB381 |
| KLF 300 BAYOU 4x4 C Series (left) | 300 | 1989 → 2004 | FDB497 | FSB794 |
| KLF 300 BAYOU 4x4 C Series (right) | 300 | 1989 → 2004 | FDB631 | |
| KLF 300 BAYOU A Series | 300 | 1986 → 1987 (x2) | FSB932 | FSB718 (x2) |
| KLF 300 BAYOU B Series | 300 | 1988 → 2004 (x2) | FDB314 | FSB718 (x2) |
| KVF 300 PRAIRIE (2x4/4x4) | 300 | 1999 → 2002 (x2) | FDB250 | FSB794 |
| KVF 360 PRAIRIE (All Models) | 360 | 2003 → 2010 (x2) | FDB250 | |
| KLF 400 BAYOU 4x4 B Series (left) | 400 | 1993 → 1999 | FDB497 | FSB794 |
| KLF 400 BAYOU 4x4 B Series (right) | 400 | 1993 → 1999 | FDB631 | |
| KSF 400 / KFX 400 | 400 | 2004 → 2006 (x2) | FDB381 | FDB2016 |
| KVF 400 PRAIRIE (2x4/4x4) | 400 | 1997 → 2002 (x2) | FDB381 | FSB794 |
| KFX 450 R | 450 | 2008 → | FDB2149 | |
| KFX 450 R | 450 | 2008 → | FDB2148 | FDB381 |
| KSF 450 / KFX 450 | 450 | 2007 → (x2) | FDB381 | FDB2016 |
| KAF 300 (MULE 250 / 500 / 550 /520) | 550 | 1992 → 2000 (x2) | FSB934 | |
| KVF 650 BRUTE FORCE (left) | 650 | 2005 → 2007 | FDB2188 | |
| KVF 650 BRUTE FORCE (right) | 650 | 2005 → 2007 | FDB2080 | |
| KVF 650 Brute Force 4X4i All models (Left) | 650 | 2007 → 2008 | FDB497 | |
| KVF 650 Brute Force 4X4i All models (Right) | 650 | 2007 → 2008 | FDB631 | |
| KVF 650 PRAIRIE (left) | 650 | 2002 → 2003 | FDB2188 | |
| KVF 650 PRAIRIE (right) | 650 | 2002 → 2003 | FDB2080 | |
| KFX 700 (left) | 700 | 2004 → 2009 | FDB2188 | |
| KFX 700 (right) | 700 | 2004 → 2009 | FDB2080 | |
| KRF 750 Teryx 4x4 All mod.(Left)-side by side | 750 | 2008 → | FDB497 | |
| KRF 750 Teryx 4x4 All mod.(Right)-side by side | 750 | 2008 → | FDB631 | |
| KVF 750 BRUTE FORCE All Models (left) | 750 | 2005 → 2010 | FDB497 | |
| KVF 750 BRUTE FORCE All Models (right) | 750 | 2005 → 2010 | FDB631 | |

KEEWAY

| | | | | |
|-----------------|-----|------------------|--------|--------|
| Dragon 250 Quad | 250 | 2007 → 2009 (x2) | FDB313 | FDB250 |
|-----------------|-----|------------------|--------|--------|

* It is recommended that in those applications where sintered pads are supplied as Original Equipment, replacement pads should also be of sintered composition.

** To avoid brake imbalance sintered pads fitted in rear calipers should only be used in combination with front calipers containing sintered pads.

2004



CC

FROM -> TO



NOTES



NOTES

KYMCO ATV

| | | | | | | | |
|---|-----|------|---|------|------|---------|--------------|
| Mongoose 50 (2T) | 50 | 2004 | - | 2008 | (x2) | FSB753 | FSB966 |
| Mongoose 50 (4T) (Rear disc model) | 50 | 2008 | - | 2009 | (x2) | FSB753 | FDB2096 |
| MXer 50 | 50 | 2003 | - | | (x2) | FSB704 | |
| Mongoose 70 (4T) | 70 | 2007 | - | 2009 | (x2) | FSB753 | FDB2096 |
| Mongoose 90 | 90 | 2002 | - | 2010 | (x2) | FSB753 | FDB2096 |
| MXer 90 | 90 | 2004 | - | | (x2) | FSB756 | FDB2096 |
| Mxer - MXU 150 | 150 | 2003 | - | 2010 | | FSB704 | FDB2096 |
| KXR 250 MONGOOSE | 250 | 2004 | - | 2009 | (x2) | FDB2184 | FDB2141 |
| MXU 250 | 250 | 2004 | - | 2010 | (x2) | FDB2184 | FDB2141 |
| URBAN 250 | 250 | 2006 | - | 2007 | (x2) | FDB2184 | FDB2141 |
| MAXXER 300 | 300 | 2005 | - | | (x2) | FDB2184 | FDB2141 |
| Mongoose 300 | 300 | 2006 | - | 2010 | (x2) | FDB2184 | FDB2141 (x2) |
| MXU 300 | 300 | 2005 | - | 2009 | (x2) | FDB2184 | FDB2184 (x2) |
| MXU 400 | 400 | 2008 | - | | (x2) | FDB2184 | FDB2184 (x2) |
| MXU 400 Parking brake | 400 | 2008 | - | 2009 | | FDB381 | |
| MXU 500 4x4 (All models) | 500 | 2006 | - | 2010 | (x2) | FDB2184 | FDB2184 (x2) |
| UXV 500 4x4 (All models) - side by side | 500 | 2008 | - | 2010 | (x2) | FDB2184 | FDB2184 |

LAVERDA ATV

| | | | | | | | |
|----------------|-----|------|---|--|------|---------|---------|
| QUASAR 400 4x4 | 400 | 2004 | - | | (x2) | FDB2175 | FDB2175 |
| QUASAR 500 4x4 | 500 | 2004 | - | | (x2) | FDB2175 | |

PGO ATV

| | | | | | | | |
|-----------------------|-----|------|---|------|------|---------|--------------|
| Bugrider 50 (Buggie) | 50 | 2006 | - | | (x2) | | FDB250 |
| X Rider 50 | 50 | 2004 | - | 2005 | | | FDB313 |
| XL-Rider 50 | 50 | 2007 | - | 2008 | | | FDB313 |
| X Rider 90 | 90 | 2004 | - | 2005 | | | FDB313 |
| X Rider 110 | 110 | 2004 | - | 2005 | | | FDB313 |
| Bugxter BR150 A | 150 | 2005 | - | 2007 | (x2) | | FDB250 |
| X Rider 150 | 150 | 2004 | - | 2005 | (x2) | FSB756 | FDB313 |
| 500 Bug | 500 | 2008 | - | 2009 | (x2) | | FDB2184 |
| 500 Bug Parking brake | 500 | 2008 | - | 2009 | | FDB2054 | |
| BR 500i Racer | 500 | 2007 | - | 2009 | (x2) | | FDB2184 (x2) |
| BR 600i Racer | 600 | 2012 | - | | (x2) | | FDB2184 (x2) |

POLARIS ATV

| | | | | | | | |
|---|-----|------|---|------|------|---------|--------------|
| 250-300 2x4/4x4 | | 1990 | - | 1995 | (x2) | FDB2055 | FDB2054 |
| ATP 330 | | 2004 | - | 2005 | (x2) | FDB2055 | FDB2055 |
| ATP 500 H0 | | 2004 | - | 2005 | (x2) | FDB2055 | FDB2055 (x2) |
| BIG BOSS (All middle axle brake models) | | 1989 | - | 1999 | (x2) | FDB2055 | |
| BIG BOSS (All standard models) | | 1989 | - | 1999 | (x2) | FDB2055 | FDB2054 |
| HAWKEYE 300 4x4 | | 2007 | - | | (x2) | FDB2055 | FDB2055 (x2) |
| L 350-400 2x4/4x4 | | 1990 | - | 1995 | (x2) | FDB2055 | FDB2054 |
| MAGNUM (All models) | | 1999 | - | 2001 | (x2) | FDB2055 | FDB2121 |
| MAGNUM (All models) | | 2002 | - | 2006 | (x2) | FDB2055 | FDB2176 |
| Outlaw 450&525 (All models) | | 2008 | - | 2010 | | | FDB2055 |
| Outlaw 50/90 | | 2007 | - | 2010 | (x2) | FSB756 | FSB966 |
| Ranger 2x4/4x4 - side by side | | 2004 | - | 2005 | | FDB2236 | FDB2236 (x2) |
| Ranger 6x6 - side by side | | 2004 | - | 2005 | (x2) | FDB2236 | FDB2236 (x2) |
| Ranger EV (Electric) - side by side | | 2010 | - | 2011 | (x2) | FDB2263 | FDB2236 (x2) |
| Ranger TM - side by side | | 2004 | - | | (x2) | FDB2236 | FDB2236 (x2) |
| Ranger XP - side by side | | 2005 | - | | | FDB2236 | FDB2236 |
| SCRAMBLER (3 wheeler) | | 1985 | - | 1986 | | FSB731 | |
| SCRAMBLER (All Models) | | 1995 | - | 1997 | (x2) | FDB2055 | FDB2054 |
| SCRAMBLER (All Models) | | 1998 | - | 2004 | (x2) | FDB2055 | FDB2121 |
| SCRAMBLER 50 / 90 | | 2001 | - | 2006 | (x2) | FSB753 | FSB966 |
| SPORTSMAN (All Models) | | 1993 | - | 1997 | (x2) | FDB2055 | FDB2054 |
| TRAIL BOSS (All Models) | | 1988 | - | 1999 | (x2) | FDB2055 | FDB2054 |
| TRAIL BOSS (All Models) | | 2000 | - | 2004 | (x2) | FDB2055 | FDB2121 |
| TRAIL BOSS 2x4 | | 1985 | - | 1987 | (x2) | FSB731 | |
| PREDATOR 50 | 50 | 2004 | - | 2006 | (x2) | FSB753 | FSB966 |
| Predator 50 (2 stroke) | 50 | 2004 | - | 2006 | (x2) | FSB756 | FSB966 |
| PREDATOR 90 | 90 | 2003 | - | 2006 | (x2) | FSB753 | FSB966 |
| SPORTSMAN 90 | 90 | 2001 | - | 2010 | (x2) | FSB753 | FSB966 |
| Phoenix 200 (Rear disc model) | 200 | 2005 | - | 2008 | (x2) | FDB313 | FDB313 |
| PHOENIX 200 (Rear drum model) | 200 | 2005 | - | 2010 | (x2) | FDB313 | FSB760 |
| Sawtooth 200 (Rear disc model) | 200 | 2006 | - | | (x2) | FDB313 | FDB313 |

* It is recommended that in those applications where sintered pads are supplied as Original Equipment, replacement pads should also be of sintered composition.

** To avoid brake imbalance sintered pads fitted in rear calipers should only be used in combination with front calipers containing sintered pads.



CC

FROM → TO



NOTES



NOTES

...POLARIS ATV

| | | | | | | | |
|--|-----|------|---|------|---------|--------------|--------------|
| SAWTOOTH 200 (Rear drum model) | 200 | 2006 | → | (x2) | FDB313 | FSB760 | |
| CYCLONE 250 X | 250 | 1987 | → | 2000 | (x2) | FSB731 | |
| TRAIL BLAZER 250 | 250 | 1990 | → | 1998 | (x2) | FDB2055 | |
| TRAIL BLAZER 250 | 250 | 1999 | → | 2004 | (x2) | FDB2055 | |
| TRAIL BLAZER 250 | 250 | 2005 | → | 2006 | (x2) | FDB2055 | |
| XPLOER 250 | 250 | 2000 | → | (x2) | FDB2055 | FDB2121 | |
| HAWKEYE 300 2x4 | 300 | 2006 | → | (x2) | FDB2055 | FDB2055 | |
| Sportsman 300 4x4 | 300 | 2008 | → | 2010 | (x2) | FDB2055 | FDB2055 |
| XPLOER 300 | 300 | 1996 | → | 2000 | (x2) | FDB2055 | FDB2054 |
| Xpress L (All models) | 300 | 1996 | → | 2000 | (x2) | FDB2055 | FDB2054 |
| XPEDITION 325 | 325 | 2000 | → | 2001 | (x2) | FDB2055 | FDB2121 |
| XPEDITION 325 | 325 | 2002 | → | (x2) | FDB2055 | FDB2176 | FDB2176 |
| Trail Blazer 330 | 330 | 2008 | → | 2010 | (x2) | FDB2055 | FDB2176 |
| TRAIL BOSS 330 | 330 | 2005 | → | 2010 | (x2) | FDB2055 | FDB2176 |
| SPORTSMAN 335 | 335 | 1999 | → | 2000 | (x2) | FDB2055 | FDB2121 |
| Sportsman 350 4x4 | 350 | 1993 | → | (x2) | FDB2055 | FDB2054 | FDB2054 |
| TRAIL BOSS 350 (All Models) | 350 | 1991 | → | 1993 | (x2) | FDB2055 | FDB2054 |
| Ranger 400 - side by side | 400 | 2010 | → | (x2) | FDB2263 | FDB2236 (x2) | FDB2236 (x2) |
| Sport 400 | 400 | 1994 | → | 1998 | (x2) | FDB2055 | FDB2054 |
| Sport 400 | 400 | 1999 | → | 2000 | (x2) | FDB2055 | FDB2121 |
| SPORTSMAN 400 | 400 | 2001 | → | 2002 | (x2) | FDB2055 | FDB2121 |
| SPORTSMAN 400 | 400 | 2003 | → | 2005 | (x2) | FDB2055 | FDB2176 |
| Sportsman 400 HO 4x4 | 400 | 2008 | → | 2010 | (x2) | FDB2055 | FDB2055 (x2) |
| XPLOER 400 | 400 | 1995 | → | 1998 | (x2) | FDB2055 | FDB2054 |
| XPLOER 400 | 400 | 1999 | → | 2002 | (x2) | FDB2055 | FDB2121 |
| MAGNUM 425 (All Models) | 425 | 1995 | → | 1998 | (x2) | FDB2055 | FDB2054 |
| XPEDITION 425 | 425 | 2000 | → | (x2) | FDB2055 | FDB2121 | FDB2121 |
| Sportsman 450 | 450 | 2006 | → | (x2) | FDB2055 | FDB2176 | FDB2176 |
| DIESEL 455 | 455 | 1999 | → | 2001 | (x2) | FDB2055 | FDB2121 |
| Outlaw 500 | 500 | 2006 | → | 2007 | (x2) | FDB2055 | FDB2055 |
| PREDATOR 500 | 500 | 2003 | → | 2007 | (x2) | FDB2055 | FDB2055 |
| Ranger 500 (2x4/4x4) - side by side | 500 | 2006 | → | 2007 | (x2) | FDB2236 | FDB2236 (x2) |
| Ranger 500 (Carb) 2x4 - side by side | 500 | 2009 | → | (x2) | FDB2263 | FDB2236 (x2) | FDB2236 (x2) |
| Ranger 500 (EFI) 4x4 H.O. - side by side | 500 | 2009 | → | 2011 | (x2) | FDB2263 | FDB2236 (x2) |
| Ranger 500 2x4 - side by side | 500 | 2008 | → | (x2) | FDB2263 | FDB2236 (x2) | FDB2236 (x2) |
| Ranger 500 4x4 EFI - side by side | 500 | 2006 | → | 2007 | (x2) | FDB2236 | FDB2236 (x2) |
| Ranger 500 4x4 EFI - side by side | 500 | 2008 | → | (x2) | FDB2263 | FDB2236 (x2) | FDB2236 (x2) |
| Ranger 500 Crew - side by side | 500 | 2011 | → | (x2) | FDB2263 | FDB2236 (x2) | FDB2236 (x2) |
| SCRAMBLER 500 (All models) | 500 | 2005 | → | 2010 | (x2) | FDB2055 | FDB2176 |
| SPORTSMAN 500 | 500 | 1998 | → | 2002 | (x2) | FDB2055 | FDB2121 |
| SPORTSMAN 500 6x6 | 500 | 2000 | → | 2008 | (x2) | FDB2055 | FDB2177 |
| SPORTSMAN 500 HO/EFI/X2/EFI Quad H.O. | 500 | 2003 | → | 2010 | (x2) | FDB2055 | FDB2176 |
| Sportsman 500 Touring H.O. | 500 | 2008 | → | 2010 | (x2) | FDB2055 | FDB2055 (x2) |
| Sportsman 500 X2 EFI | 500 | 2007 | → | 2009 | (x2) | FDB2055 | FDB2055 |
| XP Sportsman 500 | 500 | 2009 | → | 0000 | (x2) | FDB2276 | FDB2276 |
| XPLOER 500 | 500 | 1997 | → | 2000 | (x2) | FDB2055 | FDB2054 |
| Sportsman 550 | 550 | 2011 | → | 2012 | (x2) | FDB2276 | FDB2276 |
| Sportsman EPS 550 | 550 | 2010 | → | 2012 | (x2) | FDB2276 | FDB2276 |
| Sportsman Forest 550 | 550 | 2010 | → | 2012 | (x2) | FDB2276 | FDB2276 |
| Sportsman Touring EPS 550 | 550 | 2010 | → | 2012 | (x2) | FDB2276 | FDB2276 |
| Sportsman X2 550 | 550 | 2010 | → | 2011 | (x2) | FDB2276 | FDB2276 |
| Sportsman X2 550 | 550 | 2010 | → | 0000 | (x2) | FDB2276 | FDB2276 |
| XP Sportsman EPS 500 | 550 | 2009 | → | 2011 | (x2) | FDB2276 | FDB2276 |
| SPORTSMAN 600 | 600 | 2003 | → | 2006 | (x2) | FDB2055 | FDB2176 |
| Ranger 700 4x4 EFI - side by side | 700 | 2009 | → | (x2) | FDB2263 | FDB2236 (x2) | FDB2236 (x2) |
| Ranger 700 4x4 EFI/LE - side by side | 700 | 2007 | → | (x2) | FDB2236 | FDB2236 (x2) | FDB2236 (x2) |
| Ranger 700 6x4 EFI - side by side | 700 | 2008 | → | (x2) | FDB2263 | FDB2236 (x2) | FDB2236 (x2) |
| Ranger 700 6x6 EFI - side by side | 700 | 2006 | → | 2009 | (x2) | FDB2236 | FDB2236 (x2) |
| Ranger 700 Crew (EFI) 4x4 - side by side | 700 | 2009 | → | (x2) | FDB2263 | FDB2263 (x2) | FDB2263 (x2) |
| Ranger 700 XP 4x4 - side by side | 700 | 2006 | → | 2008 | (x2) | FDB2236 | FDB2236 (x2) |
| Ranger 700 XP 4x4 - side by side | 700 | 2008 | → | (x2) | FDB2263 | FDB2236 (x2) | FDB2236 (x2) |
| SPORTSMAN 700 | 700 | 2003 | → | 2007 | (x2) | FDB2055 | FDB2176 (x2) |
| Sportsman 700 X2 | 700 | 2008 | → | (x2) | FDB2055 | FDB2055 | FDB2055 |
| Ranger 800 RZR - side by side | 800 | 2008 | → | 2012 | (x2) | FDB2055 | FDB2055 (x2) |
| Ranger 800 6x6 - side by side | 800 | 2010 | → | (x2) | FDB2263 | FDB2236 (x2) | FDB2236 (x2) |
| Ranger 800 Crew - side by side | 800 | 2010 | → | (x2) | FDB2263 | FDB2236 (x2) | FDB2236 (x2) |
| Ranger 800 HD - side by side | 800 | 2010 | → | (x2) | FDB2263 | FDB2236 (x2) | FDB2236 (x2) |
| Ranger 800 RZR S EFI - side by side | 800 | 2009 | → | 2012 | (x2) | FDB2055 | FDB2055 (x2) |
| Ranger 800 RZR-4 - side by side | 800 | 2010 | → | 2012 | (x2) | FDB2263 | FDB2236 (x2) |
| Ranger 800 RZR-4 EPS - side by side | 800 | 2012 | → | (x2) | FDB2263 | FDB2236 (x2) | FDB2236 (x2) |
| Ranger 800 XP - side by side | 800 | 2010 | → | (x2) | FDB2263 | FDB2236 (x2) | FDB2236 (x2) |
| Sportsman 800 EFI 6x6 Big Boss | 800 | 2009 | → | 2010 | (x2) | FDB2055 | FDB2055 (x2) |

* It is recommended that in those applications where sintered pads are supplied as Original Equipment, replacement pads should also be of sintered composition.

** To avoid brake imbalance sintered pads fitted in rear calipers should only be used in combination with front calipers containing sintered pads.

2006



CC

FROM -> TO



NOTES



NOTES

...POLARIS ATV

| | | | | | | | |
|--|-----|------|---|------|------|---------|--------------|
| SPORTSMAN 800 EFI/HO | 800 | 2005 | - | 2010 | (x2) | FDB2055 | FDB2176 (x2) |
| Sportsman 800 Touring/EFI | 800 | 2008 | - | 2009 | (x2) | FDB2055 | FDB2055 (x2) |
| Sportsman 800 X2 EFI | 800 | 2007 | - | 2009 | (x2) | FDB2055 | FDB2055 (x2) |
| Sportsman Forest 800 | 800 | 2012 | - | 0000 | (x2) | FDB2276 | FDB2276 |
| Sportsman Forest 850 | 850 | 2012 | - | 0000 | (x2) | FDB2276 | FDB2276 (x2) |
| Sportsman Touring EPS 850 | 850 | 2010 | - | 2012 | (x2) | FDB2276 | FDB2276 |
| XP EPS Sportsman 850 | 850 | 2009 | - | 2012 | (x2) | FDB2276 | FDB2276 |
| XP Sportsman 850 | 850 | 2009 | - | 2012 | (x2) | FDB2276 | FDB2276 |
| Polaris Razor XP900 - side by side | 900 | 2012 | - | | (x2) | FDB2263 | FDB2236 (x2) |
| Ranger 900 D 4x4 Diesel - side by side | 900 | 2011 | - | | (x2) | FDB2263 | FDB2236 (x2) |
| Ranger 900 RZR XP - side by side | 900 | 2011 | - | 2012 | (x2) | FDB2263 | FDB2236 (x2) |

QUADZILLA

| | | | | | | | |
|-----------------------------------|-----|------|---|------|------|---------|-------------|
| ZR 50 | 50 | 2007 | - | 2009 | | FSB753 | FDB313 |
| BR 200 | 200 | 2007 | - | 2008 | (x2) | | FDB250 |
| 300 E Stinger | 300 | 2009 | - | 2011 | (x2) | FDB314 | FDB314 |
| 300 e XLC | 300 | 2007 | - | 2008 | (x2) | FDB314 | FDB314 |
| 300 e XLC Stinger | 300 | 2007 | - | 2008 | (x2) | FDB314 | FDB314 |
| CUV 300 E 4x4 Side x Side | 300 | 2008 | - | 2009 | (x2) | | FDB2121 |
| Jow 300 | 300 | 2007 | - | 2008 | (x2) | FDB314 | FDB314 |
| RL 300 Buggy | 300 | 2009 | - | 2011 | (x2) | FDB314 | FDB314 |
| 320 e 4x4 Parking brake | 320 | 2007 | - | 2008 | | FDB2121 | |
| CVT 320 e Parking brake | 320 | 2007 | - | 2011 | | | FDB2121 |
| QZ 320 E 4x4 | 320 | 2009 | - | | | | FDB2121 |
| QZ 450 Sport | 450 | 2008 | - | 2009 | (x2) | FDB314 | FDB314 |
| CUV 500 Side X Side | 500 | 2010 | - | 2011 | (x2) | | FDB2193 |
| CUV 500 Side X Side Parking Brake | 500 | 2010 | - | 2011 | | | FDB2054 |
| QZ 500 E/ES 4x4 | 500 | 2009 | - | 2011 | (x2) | | FDB2193 |
| QZ 500 E/ES 4x4 Parking brake | 500 | 2009 | - | 2011 | | FDB2054 | |
| RL 500 Buggy | 500 | 2008 | - | 2009 | (x2) | FDB736 | FDB736 (x2) |
| RL 500 MK 11 Buggy | 500 | 2010 | - | 2011 | (x2) | | FDB2193 |
| RS 5 4WD | 500 | 2010 | - | 2011 | (x2) | | FDB2193 |
| XLC 500 | 500 | 2010 | - | 2011 | (x2) | FDB314 | FDB314 |
| RS 6 4WD Left | 600 | 2010 | - | 2011 | (x2) | FDB497 | |
| RS 6 4WD Right | 600 | 2010 | - | 2011 | | FDB631 | |
| Z 6 4X4 | 600 | 2010 | - | 2011 | (x2) | | FDB2193 |
| RS 7 4WD | 700 | 2010 | - | 2011 | (x2) | FDB2184 | FDB314 |
| X7 R | 700 | 2010 | - | 2011 | (x2) | FDB2184 | FDB314 |
| RS 8 | 800 | 2010 | - | 2011 | (x2) | FDB2184 | FDB314 |

SUZUKI 3 WHEELERS

| | | | | | | | |
|---------------|-----|------|---|------|--|--|--------|
| ALT 50 D/E | 50 | 1983 | - | 1984 | | | FSB726 |
| ALT 125 D | 125 | 1983 | - | 1984 | | | FSB779 |
| ALT 125 E/F/G | 125 | 1984 | - | 1986 | | | FSB724 |
| ALT 185 F | 185 | 1985 | - | 1987 | | | FSB724 |

SUZUKI ATV

| | | | | | | | |
|-----------------------------|-----|------|---|------|------|---------|---------|
| LT 50 | 50 | 1984 | - | 1987 | | | FSB726 |
| LT-A 50 QUADSPORT | 50 | 2002 | - | 2005 | (x2) | FSB727 | FSB723 |
| LT-Z 50 QUADSPORT | 50 | 2006 | - | 2009 | (x2) | FSB727 | FSB723 |
| LT 80 all models | 80 | 1987 | - | 2007 | (x2) | FSB727 | FSB776 |
| LT-Z 90 QUADSPORT | 90 | 2006 | - | 2010 | (x2) | FSB727 | FSB776 |
| LT 125 D | 125 | 1983 | - | 2000 | | | FSB779 |
| LT 125 E | 125 | 1984 | - | 2000 | | | FSB724 |
| LT 125 F/G/H | 125 | 1985 | - | 1987 | | | FSB776 |
| LT 160 (All models) | 160 | 1989 | - | 2004 | (x2) | FSB777 | FSB724 |
| LT 185 E/F/G/H | 185 | 1984 | - | 1987 | | | FSB724 |
| LT 230 EH/EJ/EK/EL/EM/EN/EP | 230 | 1986 | - | 1993 | (x2) | FDB2013 | FDB381 |
| LT 230 GEF/GEG QUADRUNNER | 230 | 1985 | - | 1986 | (x2) | FSB927 | FSB724 |
| LT 230 S QUADSPORT | 230 | 1985 | - | 1988 | (x2) | FDB2013 | FDB661 |
| LT 230 S QUADSPORT | 230 | 1989 | - | | | FDB2013 | FDB381 |
| LT-F 230 G/H | 230 | 1986 | - | 1987 | (x2) | FSB927 | FSB724 |
| LT 250 EF | 250 | 1985 | - | 1986 | (x2) | FSB927 | FSB782 |
| LT 250 R | 250 | 1985 | - | 1986 | (x2) | FDB2013 | FDB381 |
| LT 250 R | 250 | 1987 | - | 1992 | (x2) | FDB2013 | FDB2016 |
| LT 250 S | 250 | 1989 | - | 1990 | (x2) | FDB2013 | FDB381 |
| LT-F 250 4WD QUADRUNNER | 250 | 1987 | - | 2002 | (x2) | FSB934 | FSB782 |

* It is recommended that in those applications where sintered pads are supplied as Original Equipment, replacement pads should also be of sintered composition.

** To avoid brake imbalance sintered pads fitted in rear calipers should only be used in combination with front calipers containing sintered pads.



CC

FROM → TO



NOTES



NOTES

...SUZUKI ATV

| | | | | | | |
|---|-----|-------------|------|---------|--|---------|
| LT-F 250 F QUADRUNNER | 250 | 1999 → 2002 | (x2) | FSB934 | | FSB789 |
| LT-F 250 K OZARK | 250 | 2002 → 2007 | (x2) | FDB250 | | |
| LT-F 250 QUADRUNNER | 250 | 1988 → 2001 | (x2) | FSB934 | | FSB789 |
| LT-Z 250 K QuadSport | 250 | 2004 → 2009 | (x2) | FDB381 | | |
| LT 300 E | 300 | 1987 → 1989 | (x2) | FSB927 | | FSB782 |
| LT-F 300 KING QUAD | 300 | 1991 → 2001 | (x2) | FSB929 | | FSB782 |
| LT-F 300 KING QUAD (left) | 300 | 2002 → | | FDB497 | | FSB782 |
| LT-F 300 KING QUAD (right) | 300 | 2002 → | | FDB631 | | |
| LT-A/F 400 EIGER (All models) | 400 | 2002 → 2008 | (x2) | FDB250 | | FSB725 |
| LT-A/F 400 KING QUAD (Left) - All Models | 400 | 2008 → 2009 | | FDB2148 | | FSB725 |
| LT-A/F 400 KING QUAD (Right) - All Models | 400 | 2008 → 2009 | | FDB2149 | | |
| LT-F 400 K8 Manual 2WD (Left) | 400 | 2008 → | | FDB2148 | | FSB725 |
| LT-F 400 K8 Manual 2WD (Right) | 400 | 2008 → | | FDB2149 | | |
| LT-F 400 X | 400 | 1991 → 2000 | (x2) | FSB929 | | FSB784 |
| LT-Z 400 QUADSPORT | 400 | 2003 → 2009 | (x2) | FDB381 | | FDB2016 |
| LT-A 450 KING QUAD (left) | 450 | 2007 → 2009 | | FDB2148 | | FDB2016 |
| LT-A 450 KING QUAD (right) | 450 | 2007 → 2009 | | FDB2149 | | |
| LT-R 450 K/Z (left) | 450 | 2006 → | | FDB497 | | FDB2016 |
| LT-R 450 K/Z (right) | 450 | 2006 → | | FDB631 | | |
| LT-R 450 Z Quad Racer (left) | 450 | 2008 → | | FDB2148 | | |
| LT-R 450 Z Quad Racer (right) | 450 | 2008 → | | FDB2149 | | FDB2016 |
| LT 500 R | 500 | 1987 → 1990 | (x2) | FDB2013 | | FDB2016 |
| LT-A 500 F QUADMASTER (left) | 500 | 2000 → 2001 | | FDB497 | | FSB782 |
| LT-A 500 F QUADMASTER (right) | 500 | 2000 → 2001 | | FDB631 | | |
| LT-A 500 FK2 VINSON 4x4 | 500 | 2001 → 2007 | (x2) | FDB250 | | FDB2149 |
| LT-A 500 KING QUAD 4x4 (left) | 500 | 2009 → | | FDB2148 | | FDB2016 |
| LT-A 500 KING QUAD 4x4 (right) | 500 | 2009 → | | FDB2149 | | |
| LT-A/F 500 FK VINSON | 500 | 2003 → 2007 | (x2) | FDB250 | | FDB828 |
| LT-F 500 FW/FX/F1 QUADRUNNER (left) | 500 | 1998 → 2002 | | FDB497 | | FSB782 |
| LT-F 500 FW/FX/F1 QUADRUNNER (right) | 500 | 1998 → 2002 | | FDB631 | | |
| LT-A 700 KING QUAD (right) | 700 | 2005 → 2007 | | FDB2149 | | |
| LT-A 700 KING QUAD (left) | 700 | 2005 → 2007 | | FDB2148 | | FDB2016 |
| LT-A 700 KING QUAD (left) | 700 | 2008 → | | FDB497 | | |
| LT-A 700 KING QUAD (right) | 700 | 2008 → | | FDB631 | | |
| TWIN PEAKS 700 (left) | 700 | 2004 → 2005 | | FDB2148 | | |
| TWIN PEAKS 700 (right) | 700 | 2004 → 2005 | | FDB2149 | | |
| LT-A 750 KING QUAD (left) | 750 | 2008 → | | FDB2148 | | FDB2016 |
| LT-A 750 KING QUAD (right) | 750 | 2008 → | | FDB2149 | | |

SYM ATV

| | | | | | | |
|----------------------|-----|-------------|------|---------|--|---------|
| Trackrunner 200 Quad | 200 | 2005 → 2009 | (x2) | FDB2184 | | FDB2226 |
| Quadlander 250 | 250 | 2005 → 2009 | (x2) | FDB2184 | | FDB2226 |
| Outlander 300 | 300 | 2008 → 2010 | (x2) | FDB2184 | | FDB2184 |
| Outlander 300 S | 300 | 2007 → 2008 | (x2) | FDB2184 | | FDB2184 |
| Quadlander 300 | 300 | 2007 → 2010 | (x2) | FDB2184 | | FDB2184 |
| Quadlander 600 | 600 | 2008 → 2010 | (x2) | FDB250 | | FDB2184 |
| Quadraider 600 | 600 | 2006 → 2007 | (x2) | FDB250 | | FDB2184 |
| Quadraider 600 | 600 | 2008 → 2009 | (x2) | FDB2184 | | FDB2184 |
| Quadraider 600LE | 600 | 2010 → | (x2) | FDB2184 | | FDB2184 |

TGB ATV

| | | | | | | |
|---|-----|-------------|------|---------|--|---------|
| Outback 425 C 4x4 | 425 | 2007 → 2009 | (x2) | FDB2184 | | FDB2184 |
| Outback 425 Real Tree Camo Edition 4x4 Auto | 425 | 2007 → 2009 | (x2) | FDB2184 | | FDB2184 |
| Outback 425 SE 4x4 Auto | 425 | 2007 → 2009 | (x2) | FDB2184 | | FDB2184 |

UM ATV

| | | | | | | |
|------------------|-----|-------------|------|--------|--|--------|
| Moontrax 50 R | 50 | 2003 → 2006 | | | | FDB313 |
| Earthlander 90 R | 90 | 2005 → 2006 | | | | FDB313 |
| Moontrax 90 R | 90 | 2003 → 2006 | | | | FDB313 |
| Earthlander 200 | 200 | 2005 → 2006 | | | | FDB313 |
| MTX 450 | 450 | 2008 → | (x2) | FDB250 | | FDB250 |

YAMAHA

| | | | | | | |
|--|-----|-------------|--|---------|--|--|
| YXR 700 FA/FB/FD RHINO Side x Side (Parking brake) | 700 | 2011 → 2013 | | FDB2270 | | |
| YXR 700 RHINO 4X4 SE (Parking brake) | 700 | 2009 → | | FDB2270 | | |

* It is recommended that in those applications where sintered pads are supplied as Original Equipment, replacement pads should also be of sintered composition.

** To avoid brake imbalance sintered pads fitted in rear calipers should only be used in combination with front calipers containing sintered pads.

2008



CC

FROM → TO



NOTES



NOTES

YAMAHA 3 WHEELERS

| | | | | | |
|----------------------|-----|-------------|--------|--|---------|
| YT 60 L/N TRI-ZINGER | 60 | 1984 → 1985 | | | FSB738 |
| YT 125 G/H/J/K/L/N | 125 | 1980 → 1985 | | | FDB2014 |
| YT 175 J/K | 175 | 1982 → 1983 | FSB731 | | FDB2014 |
| YTM 200 EK/EL | 200 | 1983 → 1984 | FSB731 | | FDB2014 |
| YTM 200 ERN | 200 | 1985 → 2000 | FSB731 | | FDB2014 |
| YTM 200 K/L/N | 200 | 1983 → 1985 | FSB731 | | FDB2014 |
| YTM 225 DRN/DRS | 225 | 1985 → 1986 | FSB731 | | FDB2014 |
| YTM 225 DXK/DXL/DXN | 225 | 1983 → 1985 | FSB731 | | FDB2014 |
| YTZ 250 N/S | 250 | 1985 → 1986 | FDB383 | | FDB383 |

YAMAHA ATV

| | | | | | |
|---|-----|------------------|-------------|--|---------|
| YFM 50 RAPTOR | 50 | 2004 → 2007 (x2) | FSB731 | | FSB947 |
| YF 60 S (MOTO4) | 60 | 1986 → 2000 (x2) | | | FSB738 |
| YFM 80 BADGER | 80 | 1992 → 2001 (x2) | FSB731 | | FSB947 |
| YFM 80 GRIZZLY | 80 | 2005 → 2008 (x2) | FSB731 | | FSB947 |
| YFM 80 N/S (MOTO4) | 80 | 1985 → 1986 (x2) | | | FSB733 |
| YFM 80 RAPTOR | 80 | 2002 → 2008 (x2) | FSB731 | | FSB947 |
| YFM 80 T/U | 80 | 1987 → 1988 (x2) | FSB738 | | FSB733 |
| YFM 90 Raptor | 90 | 2009 → 2010 | | | FDB313 |
| YFM 100 T/U CHAMP | 100 | 1987 → 1988 (x2) | FSB738 | | FSB733 |
| YFM 100 W/A/B CHAMP | 100 | 1989 → 1991 (x2) | FSB731 | | FSB733 |
| YFA1 125 BREEZE | 125 | 1989 → 1991 (x2) | FSB731 | | FSB733 |
| YFA1 125 BREEZE | 125 | 1992 → 2004 (x2) | FSB731 | | FSB947 |
| YFM 125 GRIZZLY | 125 | 2004 → 2010 (x2) | FSB731 | | FSB947 |
| YFM 200 (Moto 4) | 200 | 1985 → 1989 (x2) | FSB731 | | FDB2014 |
| YFS 200 BLASTER | 200 | 1988 → 2002 (x2) | FSB731 | | FDB2017 |
| YFS 200 BLASTER | 200 | 2003 → 2006 (x2) | FDB250 | | FDB381 |
| YFM 225 (Moto 4) | 225 | 1986 → 1988 (x2) | FSB731 | | FDB2014 |
| YFB 250 | 250 | 1995 → 1998 (x2) | FSB948 | | FSB948 |
| YFB 250 D/E/F TIMBERWOLF | 250 | 1992 → 1994 (x2) | FSB731 | | FSB948 |
| YFB 250 FW TIMBERWOLF | 250 | 1994 → 2000 (x2) | FSB948 | | FSB948 |
| YFM 250 BEAR TRACKER | 250 | 1999 → 2000 (x2) | FSB948 | | FSB948 |
| YFM 250 BEAR TRACKER | 250 | 2001 → 2004 (x2) | FDB381 | | FSB948 |
| YFM 250 Big Bear | 250 | 2007 → 2009 (x2) | FDB250 | | |
| YFM 250 BRUIN | 250 | 2005 → 2006 (x2) | FDB250 | | |
| YFM 250 R Raptor (left) | 250 | 2008 → | FDB2231 | | |
| YFM 250 R Raptor (right) | 250 | 2008 → | FDB2230 | | FDB381 |
| YFM 250 RSPX Special Edition Custom (Left) | 250 | 2008 → | FDB2231 | | FDB381 |
| YFM 250 RSPX Special Edition Custom (Right) | 250 | 2008 → | FDB2230 | | |
| YFM 250 W/A/B | 250 | 1989 → 1991 (x2) | FSB948 | | FDB2014 |
| YFM 350 2x4 Grizzly | 350 | 2007 → 2010 (x2) | FDB250 | | FDB381 |
| YFM 350 4x4 Grizzly | 350 | 2007 → 2010 (x2) | FDB250 | | FSB736 |
| YFM 350 BRUIN (All Models) | 350 | 2004 → 2006 (x2) | FDB250 | | FSB736 |
| YFM 350 ER E/F/G | 350 | 1993 → 1995 (x2) | FSB933 | | FDB2014 |
| YFM 350 ER W/A/D | 350 | 1989 → 1992 (x2) | FSB767 | | FDB2014 |
| YFM 350 ERT/ERU | 350 | 1987 → 1988 (x2) | FSB928 | | FDB2014 |
| YFM 350 FW 4WD BIG BEAR | 350 | 1999 → 2003 (x2) | FDB250 | | FSB736 |
| YFM 350 FW H/J/K BIG BEAR | 350 | 1996 → 1998 (x2) | FSB933 | | FSB736 |
| YFM 350 FW T/U | 350 | 1987 → 1988 (x2) | FSB928 | | FDB2014 |
| YFM 350 FW T/U BIG BEAR | 350 | 1987 → 1988 (x2) | FSB928 | | FDB2014 |
| YFM 350 FW W/A/B/D/E/F/G BIG BEAR | 350 | 1989 → 1995 (x2) | FSB933 | | FDB2014 |
| YFM 350 FX WOLVERINE | 350 | 1995 → 2007 (x2) | FDB250 | | FDB381 |
| YFM 350 RAPTOR | 350 | 2004 → 2010 (x2) | FDB381 | | FDB381 |
| YFM 350 X Wolverine | 350 | 2006 → 2009 (x2) | FDB250 | | |
| YFM 350 XT/XU WARRIOR | 350 | 1987 → 1988 (x2) | FDB383 | | FDB250 |
| YFM 350 XW-XS WARRIOR | 350 | 1989 → 2004 (x2) | FDB250 | | FDB381 |
| YFP 350 U Terrapro | 350 | 1988 → | (x2) FSB948 | | |
| YFZ 350 A/B/D/E/F BANSHEE | 350 | 1990 → 2006 (x2) | FDB250 | | FDB381 |
| YFZ 350 T/U/W BANSHEE | 350 | 1987 → 1989 (x2) | FDB383 | | FDB381 |
| YFM 400 4x4 Grizzly | 400 | 2007 → 2008 (x2) | FDB250 | | FDB2148 |
| YFM 400 BIG BEAR (All Models) | 400 | 2000 → 2007 (x2) | FDB250 | | FSB736 |
| YFM 400 FW KODIAK | 400 | 1993 → 1998 (x2) | FSB933 | | FSB736 |
| YFM 400 FW Kodiak | 400 | 1999 → 2000 (x2) | FDB250 | | FSB948 |
| YFM 400 FW KODIAK (All Models except AUTO) | 400 | 2000 → 2006 (x2) | FDB250 | | FDB2148 |
| YFM 400 KODIAK AUTO | 400 | 2003 → | (x2) FDB250 | | FSB736 |
| YFM 450 Grizzly (All models) | 450 | 2007 → 2010 (x2) | FDB250 | | FDB2148 |
| YFM 450 KODIAK | 450 | 2003 → 2006 (x2) | FDB250 | | FDB2148 |
| YFM 450 WOLVERINE (All models) | 450 | 2006 → 2010 (x2) | FDB250 | | FDB2148 |
| YFZ 450 (left) | 450 | 2004 → 2005 | FDB497 | | FDB381 |
| YFZ 450 (left) - All models | 450 | 2006 → | FDB497 | | FDB2119 |
| YFZ 450 (right) | 450 | 2004 → 2005 | FDB631 | | |

* It is recommended that in those applications where sintered pads are supplied as Original Equipment, replacement pads should also be of sintered composition.

** To avoid brake imbalance sintered pads fitted in rear calipers should only be used in combination with front calipers containing sintered pads.



CC

FROM → TO



NOTES



NOTES

...YAMAHA ATV

| | | | | |
|--|-----|------------------|----------------|----------------|
| YFZ 450 (right) - All models | 450 | 2006 → | FDB631 | |
| YXR 450 RHINO (left) - side by side | 450 | 2004 → 2009 | FDB497 | FDB2149 |
| YXR 450 RHINO (right) - side by side | 450 | 2004 → 2009 | FDB631 | |
| YFM 550 4x4 Grizzly (left) | 550 | 2008 → | FDB2231 | FDB2233 |
| YFM 550 4x4 Grizzly (right) | 550 | 2008 → | FDB2230 | FDB2232 |
| YFM 600 GRIZZLY (All) | 600 | 1998 → 2001 (x2) | FDB381 | FSB736 |
| YFM 660 Ducks Unlimited Ed.-side by side | 660 | 2006 → 2007 | FDB381 | FDB2193 |
| YFM 660 GRIZZLY | 660 | 2002 → 2008 (x2) | FDB381 | FDB2193 |
| YFM 660 RAPTOR | 660 | 2001 → 2005 (x2) | FDB381 | FDB381 |
| YXR 660 RHINO (left) - side by side | 660 | 2004 → 2007 | FDB497 | FDB2149 |
| YXR 660 RHINO (right) - side by side | 660 | 2004 → 2007 | FDB631 | |
| YFM 700 Ducks Unlimited Edition (Left) | 700 | 2007 → 2009 | FDB2231 | FDB2233 |
| YFM 700 Ducks Unlimited Edition (Right) | 700 | 2007 → 2009 | FDB2231 | FDB2232 |
| YFM 700 GRIZZLY (left) | 700 | 2008 → | FDB2231 | FDB2233 |
| YFM 700 GRIZZLY (right) | 700 | 2008 → | FDB2230 | FDB2232 |
| YFM 700 RAPTOR (left) - All Models | 700 | 2006 → | FDB497 | FDB2235 |
| YFM 700 RAPTOR (right) - All Models | 700 | 2006 → | FDB631 | |
| YXR 700 RHINO (left) - side by side | 700 | 2008 → | FDB631 | FDB631 |
| YXR 700 RHINO (right) - side by side | 700 | 2008 → | FDB497 | FDB497 |

ALL TERRAIN

* It is recommended that in those applications where sintered pads are supplied as Original Equipment, replacement pads should also be of sintered composition.

** To avoid brake imbalance sintered pads fitted in rear calipers should only be used in combination with front calipers containing sintered pads.

2010



CC

FROM → TO



NOTES



NOTES

LYN SNOWMOBILE

| | | | | |
|------------------|-------------|--|--|---------|
| Enduro | 1998 → 2000 | | | FDB2136 |
| GLX 5009 ST | 1998 → 2000 | | | FDB2136 |
| Gran Touring 700 | 1998 → 2000 | | | FDB2136 |
| Rave Special | 1998 → 2000 | | | FDB2136 |

POLARIS SNOWMOBILE

| | | | | |
|--------------------------------|-------------|--|--|---------|
| ALL MODELS WITH PHANTOM BRAKES | 2003 → | | | FDB2189 |
| HAYES (all models) | 1993 → 1998 | | | FDB2001 |
| INDY 440 XCR | 1993 → 1999 | | | FDB2001 |
| INDY 600 XCR - SP | 1996 → 1999 | | | FDB2001 |
| INDY RXL - RMK - SKS | 1993 → 1997 | | | FDB2001 |
| INDY SPORT - TOURING | 1993 → 1998 | | | FDB2001 |
| INDY TRAIL - DE LUXE | 1993 → 1998 | | | FDB2001 |
| INDY TRANSPORT | 1996 → 1998 | | | FDB2001 |
| INDY ULTRA (all models) | 1996 → 1998 | | | FDB2001 |
| INDY XLT (all models) | 1993 → 1998 | | | FDB2001 |
| XCF 440 | 1998 → 2000 | | | FDB2001 |

SKI DOO SNOWMOBILE

| | | | | |
|--------|--------|--|---------|--|
| REV XP | 2008 → | | FDB2243 | |
|--------|--------|--|---------|--|

YAMAHA SNOWMOBILE

| | | | | |
|-----------------------------|-------------|--|---------|---------|
| EXCEL V | 1979 → 1980 | | FDB2014 | |
| EXCITER | 1976 → 2000 | | FDB2014 | |
| GPX (All Models) | 1974 → 1975 | | FDB2014 | |
| NISSIN (all models) | 1997 → 1999 | | | FDB2111 |
| OVATION | 1989 → 1993 | | FDB2014 | |
| PHAZER | 1984 → 1993 | | FDB2014 | |
| SNO-SCOOT | 1989 → 1991 | | FDB2014 | |
| SPV | 1980 → 1991 | | FDB2014 | |
| SRX 600 - 700 | 1998 → 1999 | | | FDB2111 |
| SRX 700 - MOUNTAIN MAX 700 | 2000 → 2001 | | | FDB2111 |
| SS 440 | 1980 → 1993 | | FDB2014 | |
| SSR | 1978 → 2000 | | FDB2014 | |
| SX 500R - 600R - 700R | → | | | FDB2111 |
| V-MAX | 1983 → 1991 | | FDB2014 | |
| V-MAX 500 - 600 - 700 (all) | 1997 → 1999 | | | FDB2111 |
| V-MAX 800 | 1998 → 2000 | | | FDB2111 |
| VENTURE 500 - 600 - 700 | 1997 → 2000 | | | FDB2111 |
| VK X 440 | 1989 → 1991 | | FDB2014 | |
| XL-V | 1985 → 1990 | | FDB2014 | |

SNOWMOBILE

* It is recommended that in those applications where sintered pads are supplied as Original Equipment, replacement pads should also be of sintered composition.

** To avoid brake imbalance sintered pads fitted in rear calipers should only be used in combination with front calipers containing sintered pads.



FERODO™

MOTORCYCLE PADS



Buyer's Guide

FERODO®

MOTORCYCLE PADS



| | | | CC | FROM | TO | FRONT / REAR | |
|---------------|------------|---|---------------------------|------|------|--------------|-----|
| FDB88 | NORTON | B | COMMANDO | 750 | 1975 | 1975 | F/R |
| FDB108 | APRILIA | B | AF 1 250 REPLICA | 250 | 1990 | | R |
| | BENELLI | B | 350 SPORT | 350 | 1978 | | R |
| | | B | 350 SPORT II | 350 | 1978 | | R |
| | | B | 350 T | 350 | 1978 | | R |
| | | B | 500 | 500 | 1978 | | R |
| | | B | 500 LS | 500 | 1978 | | R |
| | | B | 650 | 650 | 1982 | | R |
| | | B | 650 SPORT | 650 | 1978 | | R |
| | | B | 650 T | 650 | 1978 | | R |
| | | B | 750 SEI | 750 | 1976 | | F |
| | | B | 900 SEI | 900 | 1978 | | F |
| | BIMOTA | B | BELLARIA 600 SPORT | 600 | 1991 | | R |
| | | B | TESI 851 1D | 851 | 1991 | | R |
| | | B | TESI 906 1D | 906 | 1991 | | R |
| | | B | 1000 all models ->1988 | 1000 | 2000 | | F/R |
| | | B | SB 3 1000 | 1000 | 1983 | | F/R |
| | | B | YB 10 DIECI 1002 | 1002 | 1991 | | R |
| | BMW | B | R 45 450 | 450 | 1978 | 1981 | F |
| | | B | R 45 450 | 450 | 1981 | 1985 | F |
| | | B | R 65 650 | 650 | 1981 | 1989 | F/R |
| | | B | R 65 650 | 650 | 1989 | 2000 | F |
| | | B | R 65 650 | 650 | 2000 | | F |
| | | B | R 65 650 GS | 650 | 1987 | 1988 | F |
| | | B | R 65 650 LS | 650 | 1981 | 1985 | F |
| | | B | R 65 650 LS | 650 | 2000 | | F |
| | | B | K 75 750 | 750 | 1984 | 1988 | F |
| | | B | K 75 750 | 750 | 1990 | 1996 | R |
| | | B | K 75 750 (ABS caliper) | 750 | 1991 | 1996 | R |
| | | B | K 75 750 RT | 750 | 1991 | 1993 | R |
| | | B | K 75 750 RT | 750 | 1994 | 2000 | R |
| | | B | K 75 750 S | 750 | 1985 | 1988 | F/R |
| | | B | K 75 750 S | 750 | 1988 | 1993 | F/R |
| | | B | R 80 800 all models | 800 | 1982 | 1984 | F |
| | | B | R 80 800 all models | 800 | 1985 | 1989 | F |
| | | B | R 80 800 GS / PARIS-DAKAR | 800 | 1981 | 1986 | F |
| | | B | R 850 R ROADSTER | 850 | 1995 | 2000 | F |
| | | B | K 1 1000 | 1000 | 1989 | 1993 | R |
| | | B | K 100 1000 all models | 1000 | 2000 | | F/R |
| | | B | K 100 1000 LT | 1000 | 1987 | 1988 | F/R |
| | | B | K 100 1000 LT | 1000 | 1988 | 1992 | R |
| | | B | K 100 1000 RS | 1000 | 1983 | 1988 | F/R |
| | | B | K 100 1000 RS | 1000 | 1988 | 1989 | R |
| | | B | K 100 1000 RS 16 VALVES | 1000 | 1990 | 1992 | R |
| | | B | K 100 1000 RT | 1000 | 1983 | 1988 | F/R |
| | | B | K 100 1000 RT | 1000 | 1988 | 1989 | F/R |
| | | B | R 100 1000 all models | 1000 | 1981 | 1989 | F/R |
| | | B | R 100 1000 all models | 1000 | 1981 | 1989 | F |
| | | B | R 100 1000 RS - RT - CS | 1000 | 1981 | 1988 | F/R |
| | | B | R 100 1000 RT | 1000 | 1991 | 1995 | F |
| | | B | K 1200 GT | 1200 | 2003 | 2007 | R |
| | | B | K 1200 RS | 1200 | 1997 | 2001 | R |
| | | B | K 1200 RS | 1200 | 2002 | | R |
| | DUCATI | B | 650 DESMO | 650 | 1987 | | F |
| | | B | 750 ENDURANCE | 750 | 1987 | | R |
| | | B | 750 F1 DESMO | 750 | 1986 | | F |
| | | B | 750 LAGUNA SECA | 750 | 1987 | | R |
| | | B | 750 PASO | 750 | 1987 | | F/R |
| | | B | 750 SPORT | 750 | 1989 | 2000 | F/R |
| | | B | 750 SUPERSPORT | 750 | 1976 | 1991 | F/R |
| | | B | 906 PASO | 906 | 1989 | 1990 | F/R |
| | | B | 1000 all models | 1000 | 1984 | | F/R |
| | LAVERDA | B | 125 | 125 | | | F |
| | | B | SFC 500 | 500 | 1977 | | F/R |
| | | B | SFC 1000 | 1000 | 1986 | | F/R |
| | MOTO GUZZI | B | NTX 350 | 350 | 1990 | | R |
| | | B | V 35 350 GT | 350 | 1990 | | F |
| | | B | NTX 650 | 650 | 1990 | | R |
| | | B | V 65 650 GT | 650 | 1990 | | F |
| | | B | NTX 750 | 750 | 1990 | | R |
| | | B | S 750 | 750 | 1974 | 1975 | F |
| | | B | S3 750 | 750 | 1975 | 1976 | F/R |
| | | B | CALIFORNIA 850 T3 | 850 | 1975 | 1980 | F/R |
| | | B | T5 850 | 850 | 1984 | | F/R |
| | | B | CALIFORNIA 1000 II | 1000 | 1981 | 1990 | F/R |
| | | B | CALIFORNIA 1000 III C | 1000 | 1991 | 1998 | F/R |
| | | B | DAYTONA 1000 | 1000 | 1991 | 1994 | R |
| | | B | DAYTONA 1000 | 1000 | 1995 | 1998 | R |



| | | | CC | FROM | TO | FRONT / REAR | |
|--|---------------|----------|---------------------------------------|------|------|--------------|-----|
| | | B | GT V 1000 | 1000 | 1991 | | F/R |
| | | B | LE MANS - V 1000 | 1000 | 1990 | | F/R |
| | | B | LE MANS 1000 | 1000 | 1984 | 1993 | F/R |
| | | B | SP 1000 | 1000 | 1978 | 1983 | F |
| | | B | SP 1000 II | 1000 | 1984 | | F/R |
| | | B | SP III 1000 | 1000 | 1991 | | F/R |
| | | B | CALIFORNIA 1100 | 1100 | 1994 | 1997 | F/R |
| | | B | ETZ 125 | 125 | 1982 | 1992 | F |
| | | B | SAXON 125 | 125 | 1993 | 1997 | F |
| | | B | ETZ 150 | 150 | 1982 | 1992 | F |
| | | B | SAXON 150 | 150 | 1995 | | F |
| | | B | FUN 251 | 251 | 1995 | 1996 | F |
| | | B | ETZ 301 | 301 | 1990 | 1992 | F |
| | | B | SAXON 500 | 500 | 1993 | 1998 | F |
| | | B | INTERPOL 2 (ROTARY) | 588 | 1983 | | F/R |
| | | B | XP 350 SAHARA | 350 | 1983 | | F |
| | | B | KS 125 | 125 | 1982 | | F |
| | | B | KS 175 | 175 | 1982 | | F |
| | FDB119 | HONDA | CB 250 G - G5 | 250 | 1975 | | F |
| | | | CJ 250 I | 250 | 1977 | | F |
| | | | CJ 360 T all models | 360 | 1978 | | F |
| | | | CB 400 F - F1 - F2 | 400 | 1975 | 1979 | F |
| | | | CB 500 K1 - K2 - T | 500 | 1975 | 1977 | F |
| | | | CB 550 F - F1 - F2 | 550 | 1978 | | F |
| | | | CB 550 K3 | 550 | 1978 | | F |
| | | | CB 750 F - F1 | 750 | 1976 | 1978 | F |
| | | | CB 750 K7 - K8 | 750 | 1978 | | F |
| | FDB132 | KAWASAKI | KH 250 B1 - S | 250 | 1977 | 1982 | F |
| | | | Z 250 A1 - A2 | 250 | 1978 | 1980 | F |
| | | | KH 400 A3-5 | 400 | 1976 | 1981 | F |
| | | | Z 400 G1 | 400 | 1979 | | F |
| | | | Z 400 J1 LTD | 400 | 1980 | 1981 | F |
| | | | Z 440 A2 - C1 | 440 | 1979 | 1982 | F |
| | | | Z 440 D2 - D4 LTD | 440 | 1979 | 1982 | F |
| | | | KH 500 A8 | 500 | 1976 | | F |
| | | | Z 500 A1 - A3 | 500 | 1979 | 1980 | F |
| | | | Z 500 B1 - B3 | 500 | 1979 | 1980 | F |
| | | | A1 550 LTD | 550 | 1980 | | F |
| | | | Z 550 A1 | 550 | 1980 | | F |
| | | | Z 650 B1 - B3 | 650 | 1979 | 1981 | F |
| | | | Z 650 C1 - C2 - C3 | 650 | 1976 | 1977 | F |
| | | | Z 650 D2 - D3 | 650 | 1978 | 1981 | F |
| | | | Z 650 F1 | 650 | 1979 | 1980 | F |
| | | | Z 650 SR | 650 | 1978 | 1981 | F |
| | | | Z 750 B1 - B2 | 750 | 1977 | 1978 | F/R |
| | | | Z 750 D1 | 750 | 1976 | 1978 | F/R |
| | | | KZ 900 B1 | 900 | 1976 | 1977 | F |
| | | | Z 900 A 4 | 900 | 1977 | 1978 | F |
| | | | KZ 1000 B1/B2 "LTD" | 1000 | 1977 | 1978 | F |
| | | | Z 1000 A1 - A4 - H1 - H2 | 1000 | 1974 | 1978 | F |
| | FDB134 | HONDA | CB 750 F - F1 | 750 | 1976 | 1978 | R |
| | | | GL 1000 K1 - 2 - 3 | 1000 | 1977 | 1979 | R |
| | | | GL 1000 KZ | 1000 | 1977 | 1979 | R |
| | FDB148 | DUCATI | 250 DESMO | 250 | 2000 | | F |
| | | | 350 DESMO | 350 | 2000 | | F |
| | | | 600 SL | 600 | 1976 | | F/R |
| | | | 600 TL PANTAH | 600 | 1976 | | F/R |
| | | | SF3 750 | 750 | 1977 | | F/R |
| | | | RGV 1000 | 1000 | | | F/R |
| | | | RGV 1000 JOTA | 1000 | | | F/R |
| | | | RGV 1000 CORSA | 1000 | | | F/R |
| | | | RGV 1000 EXECUTIVE | 1000 | | | F/R |
| | | | RGV 1000 JOTA | 1000 | 1977 | | F/R |
| | | | T.T. 1200 | 1200 | 1976 | | F/R |
| | | | LE MANS 850 | 850 | 1976 | | F/R |
| | | | T 850 | 850 | 1974 | 1975 | F |
| | | | T3 850 | 850 | 1975 | 1979 | F/R |
| | | | T4 850 | 850 | 1980 | 1983 | F/R |
| | | | V 1000 1000 G5 | 1000 | 1978 | | F/R |
| | | | V 1000 1000 I CONVERT | 1000 | 1975 | | F/R |
| | | | ETZ 250 | 250 | 1982 | 1992 | F |
| | | | BONNEVILLE 750 TWIN (Brembo calipers) | 750 | 1985 | 1986 | F/R |
| | FDB150 | SUZUKI | GS 400 B - C | 400 | 1977 | 1978 | F |
| | | | GS 425 EN | 425 | 1978 | 1980 | F |
| | | | GS 750 B | 750 | 1976 | 1976 | F |
| | | | GS 750 DB | 750 | 1977 | 1980 | F |
| | | | GS 750 DL | 750 | 1977 | 1980 | F |
| | | | GS 750 EC | 750 | 1977 | 1980 | F |

3000

B = Bike
A = ATV
S = Snowmobile

FERODO
MOTORCYCLE PADS
Updated on 30th Jan 2014

B = Bike
A = ATV
S = Snowmobile



| | | | CC | FROM | TO | FRONT / REAR |
|-----------|----------|---|-----------------------------|------|------|--------------|
| ...FDB150 | | B | GS 750 EN | 750 | 1977 | 1980 F |
| FDB151 | KAWASAKI | B | Z 500 A1 - A3 | 500 | 1979 | 1980 R |
| | | B | Z 500 B1 - B3 | 500 | 1979 | 1980 R |
| | | B | Z 1000 A1 - A4 - H1 - H2 | 1000 | 1974 | 1978 R |
| | | B | Z 1000 E1 - E2 - SHAFT - ST | 1000 | 1979 | 1981 R |
| | | B | Z 1300 | 1300 | 1979 | 1983 R |
| | SUZUKI | B | ZG 1300 DF1 | 1300 | 1984 | 1986 R |
| | | B | GS 850 GN - GT - GX | 850 | 1979 | 1981 R |
| | | B | GS 850 GZ - GE - GG | 850 | 1982 | 1985 R |
| | | B | GS 1000 EC - EN - HC - SN | 1000 | 1978 | 1979 R |
| | | B | GS 1000 ET | 1000 | 1980 | 1981 R |
| | | B | GSX 1000 S KATANA | 1000 | 1982 | R |
| | | B | GV 1200 GL MADURA | 1200 | 1985 | 1986 R |
| FDB155 | BMW | B | R 60/7 600 | 600 | 1976 | 1978 F |
| | | B | R 75/6 750 | 750 | 1975 | 1979 F |
| | | B | R 80 800 all models | 800 | 1977 | 1981 F |
| | | B | R 90 900 S | 900 | 1973 | 1976 F |
| | | B | R 90/6 900 | 900 | 1973 | 1976 F |
| | | B | R 100 1000 all models | 1000 | 2000 | F |
| FDB177 | YAMAHA | B | XS 250 | 250 | 1978 | 1978 F/R |
| | | B | XS 250 D - E | 250 | 1979 | 1981 F |
| | | B | XS 360 C | 360 | 1976 | F/R |
| | | B | SR 400 | 400 | 1977 | F/R |
| | | B | XS 400 | 400 | 1979 | 1979 F |
| | | B | SR 500 | 500 | 1978 | 1982 F |
| | | B | XS 500 C | 500 | 1976 | 1979 F/R |
| | | B | KJ 650 | 650 | 1980 | F |
| | | B | XS 650 | 650 | 1977 | 1981 F |
| | | B | XS 650 SE | 650 | 1979 | 1980 F/R |
| | | B | XS 650 SE | 650 | 1981 | F |
| | | B | XS 750 | 750 | 1977 | 1979 F/R |
| | | B | XS 750 SE - SG | 750 | 1979 | 1980 R |
| | | B | XS 850 | 850 | 2000 | F/R |
| | | B | XS 850 (left) | 850 | 1980 | 1982 R |
| | | B | XS 850 (right) | 850 | 1980 | 1982 R |
| | | B | XV 1000 TR 1 | 1000 | 1981 | F |
| | | B | XS 1100 | 1100 | 1978 | 1980 F/R |
| | | B | XS 1100 S | 1100 | 1981 | R |
| FDB178 | SUZUKI | B | GT 200 EN - EX | 200 | 1979 | 1982 F |
| | | B | GT 200 X 5 | 200 | 1979 | 1982 F |
| | | B | GT 250 EN - ET - EX | 250 | 1978 | F |
| | | B | GT 250 X7 | 250 | 1978 | F |
| | | B | GS 500 EK - EL | 500 | 1981 | 1988 F |
| | | B | RE 500 5 A - M | 500 | 1975 | 1977 F |
| | | B | GS 550 B - C - D | 550 | 1977 | 1978 F |
| | | B | GS 550 EC - EN | 550 | 1978 | 1979 F |
| | | B | GS 850 GN - GT - GX | 850 | 1979 | 1981 F |
| | | B | GS 1000 EC - EN - HC - SN | 1000 | 1978 | 1979 F |
| FDB181 | KAWASAKI | B | Z 650 C1 - C2 - C3 | 650 | 1976 | 1977 R |
| | | B | KZ 900 B1 | 900 | 1976 | 1977 R |
| | | B | KZ 1000 B1/B2 "LTD" | 1000 | 1977 | 1978 R |
| FDB182 | HONDA | B | CB 400 N - NA - NB | 400 | 1978 | 1982 F |
| | | B | CM 400 A | 400 | 1978 | 1981 F |
| | | B | CM 400 AA | 400 | 1978 | 1981 F |
| | | B | CM 400 AB-TA | 400 | 1978 | 1981 F |
| | | B | CM 400 T | 400 | 1978 | 1981 F |
| | | B | CM 400 TB | 400 | 1978 | F |
| | | B | CM 400 TC | 400 | 1978 | 1981 F |
| | | B | CM 400 TZ | 400 | 1978 | F |
| | | B | CX 500 CA - CB | 500 | 1979 | 1981 F |
| | | B | CB 750 F2 - F3 | 750 | 1977 | F/R |
| | | B | CB 750 FA - FB - F2C | 750 | 1980 | F |
| | | B | CB 750 FZ | 750 | 1979 | F/R |
| | | B | CB 900 F - FZ - FA | 900 | 1979 | 1981 F/R |
| | | B | CBX 1000 | 1000 | 1977 | 1980 F/R |
| | | B | GL 1000 | 1000 | 1981 | F/R |
| | | B | GL 1000 K1 - 2 - 3 | 1000 | 1977 | 1979 F |
| | | B | GL 1000 KZ | 1000 | 1977 | 1979 F |
| | | B | GL 1100 | 1100 | 1980 | 1981 F/R |
| FDB183 | HONDA | B | CB 250 N | 250 | 1978 | 1982 F |
| | | B | CB 250 NA - NB | 250 | 1978 | 1982 F |
| | | B | CB 250 RSA - RSD - RSE | 250 | 1981 | 1984 F |
| | | B | CB 250 T-DREAM | 250 | 1978 | 1982 F |
| | | B | CB 250 T-SUPERDREAM | 250 | 1978 | 1982 F |
| | | B | CM 250 TB | 250 | 1981 | F |
| | | B | CB 400 A - HAWK | 400 | 1978 | F |
| | | B | CB 450 N | 450 | 1985 | F |
| | | B | CB 650 A - Z | 650 | 1979 | 1981 F |



| | | | CC | FROM | TO | FRONT / REAR |
|--------|-----------------|---|-----------------------------------|------|------|--------------|
| | | B | CB 650 B | 650 | 1979 | 1981 F |
| | | B | CB 750 KZ | 750 | 1980 | F |
| FDB184 | YAMAHA | B | RD 250 E - F | 250 | 1978 | 1979 F/R |
| | | B | XS 250 SE - SF SPECIAL | 250 | 1979 | 1981 F |
| | | B | RD 400 E - F | 400 | 1978 | F/R |
| | | B | XS 400 SE | 400 | 1980 | 1981 F |
| | | B | XS 850 (right) | 850 | 1980 | 1982 F |
| FDB185 | HARLEY DAVIDSON | B | FL / FLH Electra Glide® (4-speed) | 1340 | 1972 | F |
| | | B | FL / FLH Electra Glide® (4-speed) | 1340 | 1973 | 1980 F/R |
| | | B | FL / FLH Electra Glide® (4-speed) | 1340 | 1981 | 1984 F |
| | | B | FLHS Electra Glide® Sport | 1340 | 1977 | F/R |
| | | B | FX Super Glide® | 1340 | 1973 | F/R |
| | | B | FX Super Glide® | 1340 | 1974 | 1977 R |
| | | B | FX Super Glide® | 1340 | 1978 | 1981 R |
| | | B | FXB Sturgis® Belt | 1340 | 1977 | 1981 R |
| | | B | FXE Super Glide® | 1340 | 1973 | F/R |
| | | B | FXE Super Glide® | 1340 | 1974 | 1977 R |
| | | B | FXE Super Glide® | 1340 | 1978 | 1981 R |
| | | B | FXEF Super Glide® | 1340 | 1978 | 1981 R |
| | | B | FXS Sturgis® | 1340 | 1977 | 1981 R |
| | | B | FXWG Wide Glide® | 1340 | 1980 | 1981 R |
| FDB204 | APRILIA | B | ST 125 | 125 | 1987 | F |
| | | B | STX 125 | 125 | 1986 | F |
| | BENELLI | B | 900 SEI | 900 | 1978 | R |
| | BMW | B | R 65 650 GS | 650 | 1989 | 1992 F |
| | | B | K 75 750 S | 750 | 1994 | 2000 F/R |
| | | B | R 80 800 GS / PARIS-DAKAR | 800 | 1987 | 1995 F |
| | | B | R 80 RT | 800 | 1990 | 1994 F |
| | | B | R 100 1000 GS / PARIS-DAKAR | 1000 | 1987 | 1994 F |
| | MOTO GUZZI | B | SP 1000 | 1000 | 1978 | 1983 R |
| FDB205 | ASPES | B | DUMA 125 | 125 | | F |
| | BETA | B | CUSTOM 125 | 125 | 1982 | F |
| | | B | CUSTOM 250 | 250 | 1982 | F |
| | GARELLI | B | TSR 125 SELF MIX | 125 | | F |
| | GILERA | B | TG1 80 | 80 | | F |
| | | B | TG2 80 | 80 | | F |
| | | B | TG3 80 | 80 | | F |
| | | B | GR1 125 | 125 | | F |
| | | B | TG1 125 | 125 | | F |
| | | B | TG2 125 | 125 | | F |
| | | B | TG3 125 | 125 | | F |
| | | B | T4 200 | 200 | | F |
| | | B | T4C 200 | 200 | | F |
| | | B | T4S 200 | 200 | | F |
| | KREIDLER | B | MUSTANG 125 | 125 | 1983 | F |
| | MOTO MORINI | B | MONOCILINDRO 125 | 125 | 1979 | F |
| | | B | BICILINDRO 250 | 250 | 1979 | F |
| | | B | MONOCILINDRO 250 | 250 | 2000 | F |
| | | B | SPORT 250 | 250 | 2000 | F |
| | | B | TURISMO 250 | 250 | 2000 | F |
| | | B | GT 350 | 350 | 1976 | 1981 F |
| | | B | GT 350 | 350 | 1979 | F |
| | | B | GT 350 TURISMO | 350 | 1980 | F |
| | | B | SPORT 350 | 350 | 1980 | F |
| | | B | SPORT 350 | 350 | 1981 | F |
| | | B | SPORT 350 | 350 | 2000 | F/R |
| | | B | T.T. 500 | 500 | 1980 | F |
| | ZUNDAPP | B | K 80 | 80 | 1980 | F |
| | | B | KS 80 | 80 | 1980 | F |
| | | B | KS 125 | 125 | 1980 | F |
| FDB207 | ACCOSSATO | B | 50 ENDURO CODICE | 50 | 1989 | F |
| | | B | CE 50 | 50 | 1987 | F |
| | | B | CE 80 | 80 | 1987 | F/R |
| | | B | KR 80 | 80 | 1987 | F |
| | | B | MC 80 | 80 | 1988 | F |
| | | B | MC 80 CROSS | 80 | 1989 | F/R |
| | | B | MC 125 | 125 | 1987 | F/R |
| | | B | MC 125 | 125 | 1988 | R |
| | | B | GR 250 ENDURO | 250 | 1985 | 1987 F/R |
| | | B | GR 250 ENDURO | 250 | 1988 | R |
| | | B | MC 250 | 250 | 1985 | 1986 F |
| | | B | MC 250 | 250 | 1987 | F/R |
| | | B | MC 250 | 250 | 1988 | R |
| | | B | GR 300 ENDURO | 300 | 1985 | 1987 F/R |
| | | B | TX 300 | 300 | 1990 | R |
| | APRILIA | B | RS 50 | 50 | 1993 | 1998 F |
| | | B | RX 50 | 50 | 1996 | 1998 F |
| | | B | TUAREG 50 HPC SYSTEM | 50 | 1987 | R |

B = Bike
A = ATV
S = Snowmobile

B = Bike
A = ATV
S = Snowmobile



CC FROM TO FRONT / REAR

...FDB207

| | | | | | | |
|-----------|---|-------------------------------------|------|------|------|-----|
| | B | AF1 125 | 125 | 1987 | | R |
| | B | AF1 125 EUROPA | 125 | 1990 | 1991 | R |
| | B | AF1 125 FUTURA | 125 | 1990 | 1991 | R |
| | B | AF1 125 REPLICIA | 125 | 1989 | 1991 | R |
| | B | AF1 125 SINTESI | 125 | 1989 | 1991 | R |
| | B | ASR 125 | 125 | 1986 | | R |
| | B | CLASSIC 125 | 125 | 1996 | | R |
| | B | ETX 125 | 125 | 1985 | 1986 | F |
| | B | LEONARDO 125 | 125 | 1995 | 1996 | F |
| | B | RS 125 / TUONO 125 | 125 | 2004 | | R |
| | B | RS 125 EXTREMA - REPLICIA | 125 | 1993 | 1997 | R |
| | B | RS 125 EXTREMA - REPLICIA | 125 | 1998 | 1999 | R |
| | B | RS 125 EXTREMA - REPLICIA | 125 | 2000 | 2003 | R |
| | B | SPORT PRO 125 | 125 | 1993 | 2003 | R |
| | B | TUAREG 125 | 125 | 1986 | | R |
| | B | TUAREG 125 | 125 | 1987 | | R |
| | B | TUAREG 125 WIND | 125 | 1990 | | R |
| | B | CLIMBER 200 | 200 | 1993 | | F/R |
| | B | MX 250 | 250 | 1983 | | F |
| | B | RS 250 | 250 | 1995 | 1996 | R |
| | B | RS 250 | 250 | 1998 | | R |
| | B | RX 250 | 250 | 1983 | | F |
| | B | RX 250 | 250 | 1986 | | F |
| | B | ETX 350 | 350 | 1986 | | R |
| | B | ETX 350 AE | 350 | 1987 | | R |
| | B | TUAREG 350 | 350 | 1987 | | R |
| | B | TUAREG 350 WIND | 350 | 1987 | 1988 | R |
| | B | ETX 600 | 600 | 1986 | | R |
| ATK (USA) | B | all models 1984-85 | | 1984 | 1985 | F |
| | B | all models 1986 | | 1986 | | F |
| | B | all models 1987 | | 1987 | | F |
| | B | 560 | 560 | 1984 | 1985 | F |
| | B | 560 | 560 | 1986 | 1987 | F |
| BENELLI | B | 125 | 125 | 1976 | | F |
| | B | 125 2 C | 125 | 1976 | 1978 | F |
| | B | 125 2C Dual brakes | 125 | 2000 | | F |
| | B | 125 2T - 2 CSE | 125 | 1976 | 1978 | F |
| | B | 250 4 | 250 | 1976 | | F |
| | B | 250 C | 250 | 1976 | 1978 | F |
| | B | 250 TS | 250 | 1976 | 1978 | F |
| | B | BX Motard (250cc) | 250 | 2012 | | R |
| | B | 350 | 350 | 1983 | | F/R |
| | B | 350 4 CIL. | 350 | 1978 | | F |
| | B | 350 SPORT | 350 | 1978 | | F |
| | B | 350 SPORT II | 350 | 1978 | | F |
| | B | 350 T | 350 | 1978 | | F |
| | B | 500 | 500 | 1978 | | F |
| | B | 500 LS | 500 | 1978 | | F |
| | B | 500 QUATTRO | 500 | 1976 | | F |
| | B | 650 | 650 | 1982 | | F |
| | B | 650 SPORT | 650 | 1978 | | F |
| | B | 650 T | 650 | 1978 | | F |
| BETA | B | KR 125 | 125 | 1986 | | F |
| | B | KR 125 AFRIKA | 125 | 1987 | | F |
| | B | ALP 240 | 240 | 1996 | | R |
| | B | CR 250 | 250 | 1983 | | F |
| | B | KR 250 AFRIKA | 250 | 1986 | | F |
| | B | KR 250 RALLY | 250 | 1987 | | F |
| | B | GS - RV 500 | 500 | 1984 | | F |
| | B | YB 7 400 | 400 | 1989 | | R |
| | B | V DUE 500 | 500 | 1997 | | R |
| | B | YB 9 600 SRI | 600 | 1997 | | R |
| | B | SUPERMONO 650 | 650 | 1997 | | R |
| | B | SB 7 750 | 750 | 1996 | | R |
| | B | YB 4 750 | 750 | 1989 | | R |
| | B | DB 1 - 2 900 | 900 | 1992 | | R |
| | B | MANTRA 900 | 900 | 1997 | | R |
| | B | DB 2 SR 904 | 904 | 1994 | 2000 | R |
| | B | DB 4 904 | 904 | 1998 | 1999 | R |
| | B | SB8K Gobert (Suzuki Engine) (996cc) | 996 | 2006 | | R |
| | B | SB 8 1000 R | 1000 | 1998 | | R |
| | B | YB 10 1000 BIPOSTO | 1000 | 1992 | | R |
| | B | YB 11 1000 | 1000 | 1997 | | R |
| | B | YB 6 1000 | 1000 | 1989 | | R |
| | B | YB 8 1000 E | 1000 | 1990 | | R |
| | B | YB 8 1000 E.I. FURANO | 1000 | 1990 | | R |
| | B | YB 8 FURANO 1000 | 1000 | 1992 | | R |
| | B | DB5R/S (1078cc) | 1078 | 2008 | 2009 | R |



CC FROM TO FRONT / REAR

| | | | | | | |
|--------|---|--------------------------------------|------|------|------|-----|
| | B | DB6 (1078cc) | 1078 | 2008 | 2009 | R |
| | B | DB6/R (1078cc) | 1078 | 2008 | 2009 | R |
| | B | Tesi-3D (1078cc) | 1078 | 2009 | | R |
| | B | DB7 (1099cc) | 1099 | 2009 | | R |
| | B | SB 6 1100 | 1100 | 1997 | | R |
| CAGIVA | B | COCIS 50 | 50 | 1988 | | F |
| | B | COCIS 50 | 50 | 1989 | | F/R |
| | B | CUCCILOLO 50 | 50 | 1997 | | F |
| | B | LUCKY EXPLORER 50 | 50 | 1988 | | F |
| | B | SUPERCITY 50 | 50 | 1993 | | R |
| | B | W4 PRO ACTION 50 | 50 | 1994 | | F |
| | B | COCIS 80 | 80 | 1989 | | F |
| | B | SUPERCITY 80 | 80 | 1994 | | R |
| | B | W4 PRO ACTION 80 | 80 | 1994 | | F |
| | B | BLUES 125 | 125 | 1988 | 1992 | R |
| | B | ELEFANT 125 | 125 | 1987 | | F |
| | B | FRECCIA 125 | 125 | 1987 | | R |
| | B | FRECCIA 125 C10 | 125 | 1988 | | R |
| | B | FRECCIA 125 C10 ANNIVERSARIO | 125 | 1989 | | R |
| | B | FRECCIA 125 C10 R | 125 | 1988 | | R |
| | B | FRECCIA 125 C12 R | 125 | 1989 | 1990 | R |
| | B | FRECCIA 125 C12 R | 125 | 1991 | | R |
| | B | FRECCIA 125 C9 | 125 | 1988 | | R |
| | B | K7 125 ENDURO | 125 | 1991 | | R |
| | B | MITO 125 | 125 | 1991 | 1992 | R |
| | B | MITO 125 | 125 | 1993 | | R |
| | B | MITO 2 125 PRODUCTION RACER / Trofeo | 125 | 1994 | | R |
| | B | MITO 525SP | 125 | 2007 | | R |
| | B | PLANET 125 | 125 | 1998 | | R |
| | B | RAPTOR 125 | 125 | 2003 | | R |
| | B | SUPERCITY 125 | 125 | 1994 | | R |
| | B | W8 125 PRO ACTION | 125 | 1992 | 1995 | R |
| | B | WMX 125 CROSS | 125 | 1986 | | F |
| | B | ALA BLU 250 | 250 | 1983 | | F |
| | B | ALA ROSSA 250 | 250 | 1983 | | F |
| | B | ALA VERDE 250 | 250 | 1983 | | F |
| | B | SST 250 | 250 | 1980 | | F |
| | B | SSX 250 | 250 | 1982 | | F |
| | B | ST 250 | 250 | 1982 | | F |
| | B | SX 250 | 250 | 1982 | | F |
| | B | WMX 250 | 250 | 2000 | | F |
| | B | WMX 250 /1 | 250 | 1983 | | F |
| | B | WRX 250 | 250 | 1983 | | F |
| | B | ALA AZZURRA 350 | 350 | 1983 | | F |
| | B | ALA AZZURRA 350 GT | 350 | 1987 | | F |
| | B | ALA BLU 350 | 350 | 1983 | | F |
| | B | ALA ROSSA 350 | 350 | 1983 | | F |
| | B | ALA ROSSA 350 | 350 | 1988 | | F |
| | B | ALA VERDE 350 | 350 | 1983 | | F |
| | B | ELEFANT 350 | 350 | 1985 | | R |
| | B | SST 350 | 350 | 1981 | | F |
| | B | SX 350 | 350 | 1982 | | F |
| | B | T4 350 R - ER | 350 | 1987 | | F |
| | B | W 12 350 | 350 | 1992 | | R |
| | B | T4 500 E - ER | 500 | 1987 | | F |
| | B | WMX 500 | 500 | 1984 | | F |
| | B | RIVER 600 | 600 | 1994 | | R |
| | B | ALA AZZURRA 650 | 650 | 1984 | | F/R |
| | B | ALA AZZURRA 650 GT | 650 | 1987 | | R |
| | B | ELEFANT 650 | 650 | 1985 | | R |
| | B | W 16 650 | 650 | 1993 | | R |
| | B | DAKAR 750 | 750 | 1987 | | R |
| | B | ELEFANT 750 | 750 | 1987 | | R |
| | B | CZ 180 | 180 | 1993 | | F |
| CZ | B | TT8 75 | 75 | 1984 | | F |
| DERBI | B | 502 SINGLE | 50 | 1993 | 1999 | R |
| DUCATI | B | 502 SUPERMONO | 50 | 1993 | 1999 | R |
| | B | 350 F3 | 350 | 1986 | | F/R |
| | B | 350 INDIANA | 350 | 1987 | | R |
| | B | 350 S-GTL | 350 | 1975 | | F/R |
| | B | 350 SPORT GTV-SL-XL | 350 | 1975 | | F/R |
| | B | 400 DESMO F3 | 400 | 1987 | | F/R |
| | B | 400 MONSTER | 400 | 1995 | 1997 | R |
| | B | 400 MONSTER (JAPAN) | 400 | 2000 | | R |
| | B | SS 400 JUNIOR | 400 | 1992 | | R |
| | B | SS 400 NUDA | 400 | 1992 | | R |
| | B | 500 GTL SPORT DESMO | 500 | 1975 | | F/R |
| | B | 500 GTV | 500 | 1977 | | F/R |



CC FROM TO FRONT / REAR

...FDB207

| | | | | | |
|---------|---------------------------------------|------|------|------|-----|
| B | 500 PANTAH | 500 | 1977 | | F/R |
| B | S 500 | 500 | 1975 | | F/R |
| B | 550 SUPERMONO | 550 | 1993 | 1999 | R |
| B | 600 SUPERSPORT CARENATA | 600 | 1994 | 1999 | R |
| B | 600 SUPERSPORT NUDA | 600 | 1994 | 1999 | R |
| B | M 600 MONSTER | 600 | 1993 | 1999 | R |
| B | M 600 MONSTER | 600 | 2000 | | R |
| B | M 620 MONSTER DARK (single/twin disc) | 620 | 2003 | | R |
| B | MULTISTRADA 620 (twin disc) | 620 | 2005 | 2006 | R |
| B | MULTISTRADA DARK 620 | 620 | 2003 | 2005 | R |
| B | 650 DESMO | 650 | 1987 | | R |
| B | 650 INDIANA | 650 | 1986 | 1987 | F/R |
| B | 650 INDIANA | 650 | 1987 | | R |
| B | 748 BIPOSTO | 748 | 1995 | 1997 | R |
| B | 748 BIPOSTO | 748 | 1998 | | R |
| B | 748 RACING CLIENTI | 748 | 1995 | 1997 | R |
| B | 748 RACING CLIENTI | 748 | 1998 | | R |
| B | 750 F1 DESMO | 750 | 1986 | | R |
| B | 750 SUPERSPORT | 750 | 1992 | 1997 | R |
| B | M 750 MONSTER | 750 | 1996 | 1999 | R |
| B | M 750 MONSTER | 750 | 2000 | | R |
| B | SS 750 CARENATA | 750 | 1993 | 1998 | R |
| B | SS 750 NUDA | 750 | 1992 | 1998 | R |
| B | MONSTER 800 | 800 | 2003 | 2006 | R |
| B | MONSTER S2R 800 | 800 | 2007 | | R |
| B | 851 all models | 851 | 1988 | 1992 | R |
| B | 880 RACING | 880 | 1994 | 1995 | R |
| B | 888 all models | 888 | 1992 | 1995 | R |
| B | 900 all models | 900 | 1992 | 1998 | R |
| B | 900 I.E. PASO | 900 | 1992 | 1998 | R |
| B | 900 SUPERMONO DESMO 4 | 900 | 1993 | 1995 | R |
| B | M 900 MONSTER | 900 | 1993 | 1999 | R |
| B | M 900 MONSTER I.E. | 900 | 2000 | | R |
| B | 916 RACING CLIENTI | 916 | 1995 | 1998 | R |
| B | 916 STRADA / SENNA / SP / SPS | 916 | 1994 | 1997 | R |
| B | M 916 MONSTER S4 | 916 | 2001 | 2002 | R |
| B | 996 BIPOSTO | 996 | 1999 | | R |
| B | 998 R | 998 | 2002 | | R |
| B | 998 S | 998 | 2002 | | R |
| B | 998 SFE | 998 | 2003 | | R |
| B | MONSTER 1000 | 1000 | 2003 | 2006 | R |
| B | MONSTER S2R 1000 | 1000 | 2007 | | R |
| B | MONSTER S4R /S4RS 1000 | 1000 | 2006 | 2007 | R |
| B | MONSTER S4R S Testastretta/tricolore | 1000 | 2008 | | R |
| FANTIC | B CABALLERO 50 RC | 50 | 1990 | | F |
| GARELLI | B URKA 50 | 50 | 1991 | | F |
| | B TIGER 125 XR | 125 | | | F |
| | B TIGER 125 XRD | 125 | | | F |
| GILERA | B ARIZONA 125 | 125 | 1983 | | F |
| | B CMM APTS 125 | 125 | 1987 | | R |
| | B CRONO 125 | 125 | 1991 | | R |
| | B CX 125 | 125 | 1991 | | R |
| | B FAST BIKE 125 | 125 | 1987 | | R |
| | B GFR 125 | 125 | 1993 | | R |
| | B HX 125 LC | 125 | 1983 | | F |
| | B KK 125 APTS | 125 | 1987 | | R |
| | B KZ 125 | 125 | 1986 | | R |
| | B KZ 125 ENDURANCE | 125 | 1988 | | R |
| | B MX 1 125 | 125 | 1988 | | R |
| | B MX R 125 | 125 | 1990 | | R |
| | B R1 125 S | 125 | 1988 | | R |
| | B RX 125 | 125 | 1984 | | F |
| | B SP 01 125 | 125 | 1989 | | R |
| | B SP 02 125 | 125 | 1990 | | R |
| | B XR1 125 | 125 | 1988 | | R |
| | B XR2 125 | 125 | 1989 | | R |
| | B FAST BIKE 200 | 200 | 1987 | | R |
| | B RV 200 | 200 | 1985 | | R |
| | B RV 200 ES | 200 | 1987 | | R |
| | B RX 200 | 200 | 1985 | | F |
| | B RX 200 ARIZONA | 200 | 1985 | | F |
| | B HX 250 LC | 250 | 1983 | | F |
| | B NGR 250 | 250 | 1985 | | R |
| | B RC 250 RALLY | 250 | 1987 | | R |
| | B RX 250 ARIZONA RALLY | 250 | 1986 | | F |
| | B XRT 350 | 350 | 1990 | | R |
| | B SATURNO 500 PIUMA | 500 | 1990 | | R |
| | B XRT 600 | 600 | 1988 | | R |



CC FROM TO FRONT / REAR

| | | | | | |
|-----------------|---------------------------------|------|------|------|-----|
| HERCULES | B Lotus 80 SW | 80 | | | F |
| HRD | B PLATINO 125 ST | 125 | 1986 | | F |
| | B ROAD 125 ST | 125 | 1986 | | F |
| HUSQVARNA | B CR 125 | 125 | 1985 | 1995 | F |
| | B WR 125 | 125 | 1986 | | F |
| | B WR 240 | 240 | 1986 | | F |
| | B CR 250 | 250 | 1985 | 1995 | F |
| | B WR 400 | 400 | 1986 | | F |
| | B CR 500 | 500 | 1985 | | F |
| | B 510 | 510 | 1986 | | F |
| ITALJET | B BOSS 350 ENDURO | 350 | | | F |
| | B CX 350 | 350 | 1985 | | F |
| | B ROAD MASTER 350 | 350 | | | F |
| KEEWAY | ARN 50 (25/45) | 50 | 2010 | 2011 | F |
| | Hacker 50 | 50 | 2008 | 2009 | F |
| | Hacker 125 | 125 | 2008 | 2010 | F |
| | Hacker 150 | 150 | 2008 | 2010 | F |
| KTM | B COMET 50 PL-RL-RLW-RS4L-TS | 50 | | | F |
| | B MX 50 | 50 | 1987 | | F |
| | B RSV 50 | 50 | 1986 | | F |
| | B L-PL-RL-RS-RSL-BORA 80 | 80 | | | F/R |
| | B MX 80 GR - SUPER MINI | 80 | 1986 | | F |
| | B BAJA 125 | 125 | 1986 | | F |
| | B GS 125 XC ENDURO SPORT | 125 | 1986 | 2000 | F/R |
| | B MX 125 CROSS | 125 | 1985 | | F |
| | B MX 125 CROSS | 125 | 1986 | | F/R |
| | B BAJA 250 | 250 | 1986 | | F |
| | B GS 250 XC ENDURO SPORT | 250 | 1986 | 2000 | F/R |
| | B MX 250 CROSS | 250 | 1985 | | F |
| | B MX 250 CROSS - DIG.CONTR. | 250 | 1986 | | F/R |
| | B GS 300 XC ENDURO SPORT | 300 | 1986 | 2000 | F/R |
| | B COUNTRY 350 CROSS E | 350 | 1985 | | F |
| | B GS 350 ENDURO SPORT | 350 | 1983 | | F |
| | B GS 390 ENDURO SPORT | 390 | 1983 | | F |
| | B MX 495 MC LELEU | 495 | 1982 | 1983 | F |
| | B GS 500 K4 ENDURO | 500 | 1983 | | F |
| | B MX 500 CROSS | 500 | 1985 | | F |
| | B MX 500 CROSS | 500 | 1986 | 2000 | F/R |
| | B GXE 550 | 550 | 1986 | 2000 | F/R |
| | B ENDURO 600 all models | 600 | 1986 | 2000 | F/R |
| | B GS 600 ENDURO SPORT | 600 | 1985 | | F |
| | B XC-XCE 600 CROSS COUNTRY-BAJA | 600 | 1985 | | F |
| LAVERDA | B OR 50 ATLAS | 50 | 1987 | | F/R |
| | B 125 | 125 | 2000 | | F |
| | B GS 125 LESMO | 125 | 1986 | | F/R |
| | B 350 | 350 | 1980 | | F/R |
| | B ALPINO 500 | 500 | 1977 | | F/R |
| | B PF 500 | 500 | 1977 | | F/R |
| | B RS 500 | 500 | 1977 | | F/R |
| | B OR 600 | 600 | 1986 | | F |
| | B 650 (all models) | 650 | 1995 | 1996 | R |
| | B LYNX 650 | 650 | 2000 | | R |
| | B GHOST - DIAMANTE 668 | 668 | 1997 | 1998 | R |
| | B 750 S (all models) | 750 | 1999 | | R |
| | B CUP 750 | 750 | 1998 | | R |
| | B DIAMANTE 750 | 750 | 1997 | | R |
| | B JOTA 1000 | 1000 | 1995 | | R |
| MAICO | B GM 250 CROSS | 250 | 1984 | | F |
| | B GME 250 ENDURO | 250 | 1984 | | F |
| | B GM 500 CROSS | 500 | 1984 | | F |
| | B GME 500 ENDURO | 500 | 1984 | | F |
| MALANCA | B E2 C 80 CS | 80 | | | F/R |
| | B GTI 125 | 125 | | | F/R |
| | B MARK 125 ENDURO | 125 | | | F |
| MONTESA | B COTA 309 | 309 | 1989 | | R |
| | B COTA 314 R | 314 | 1994 | | R |
| MONTESA (HONDA) | B MH 311 260 | 260 | 1992 | 1993 | R |
| | B COTA 310 | 310 | 1989 | | R |
| | B COTA 310 4T / 4RT | 310 | 2007 | | R |
| | B MH 314 R | 314 | 1994 | 1997 | R |
| | B MH 315 | 315 | 2001 | | R |
| | B MH 315 R | 315 | 1998 | 2000 | R |
| MOTO GUZZI | B 2C 125 4T | 125 | 1979 | | F |
| | B TT 125 | 125 | 1985 | | F |
| | B TS 250 | 250 | 1974 | 1975 | F |
| | B TS 250 | 250 | 1976 | 1982 | F/R |
| | B GTS 350 | 350 | 1974 | 1979 | F/R |
| | B NEVADA 350 | 350 | 1993 | | F/R |

B = Bike
A = ATV
S = Snowmobile

FERODO
MOTORCYCLE PADS
Updated on 30th Jan 2014

B = Bike
A = ATV
S = Snowmobile

3003



CC FROM TO FRONT / REAR

...FDB207

| CC | FROM | TO | FRONT / REAR |
|-------------|---|-------------------|--------------|
| B | NTX 350 | 350 1987 | F/R |
| B | NTX 350 | 350 1990 | F |
| B | V 35 350 | 350 1977 | F/R |
| B | V 35 350 C | 350 1982 | F/R |
| B | V 35 350 FLORIDA | 350 1987 | F/R |
| B | V 35 350 GT | 350 1990 | R |
| B | V 35 350 IMOLA | 350 1970 1983 | F/R |
| B | V 35 350 IMOLA II | 350 1984 | F/R |
| B | V 35 350 TT ENDURO | 350 1984 | F/R |
| B | GTS 400 | 400 1974 1979 | F/R |
| B | V 50 500 | 500 1977 1980 | F/R |
| B | V 50 500 C | 500 1982 | F/R |
| B | V 50 500 III | 500 1980 | F/R |
| B | V 50 500 MONZA | 500 1980 1983 | F/R |
| B | V 50 500 MONZA II | 500 1984 | F/R |
| B | NTX 650 | 650 1990 | F |
| B | V 65 650 | 650 1981 1983 | F/R |
| B | V 65 650 FLORIDA | 650 1987 | F/R |
| B | V 65 650 GT | 650 1990 | R |
| B | V 65 650 II ENDURO | 650 1984 | F/R |
| B | V 65 650 LARIO | 650 1984 | F/R |
| B | V 65 650 SP CHOPPER | 650 1981 | F/R |
| B | VT 650 TT BAJA | 650 1986 | R |
| B | SP 750 NEVADA | 750 1992 | F/R |
| B | SP 750 NEVADA CLUB | 750 2000 2002 | F/R |
| B | T 750 | 750 1992 1994 | F/R |
| B | QUOTA 1000 | 1000 1993 1995 | R |
| B | LE MANS V 11 | 1064 2001 | R |
| B | SPORT 1100 | 1100 1994 1999 | R |
| MOTO MORINI | B CAMEL 501 | 50 1987 | R |
| B | CAMEL 501 | 50 2000 | F |
| B | COGUARO 501 | 50 1989 | R |
| B | EXCALIBUR 501 | 50 1987 1988 | R |
| B | EXCALIBUR 501 | 50 1989 | R |
| B | NEW YORK 501 | 50 1989 | R |
| B | BLUES 125 | 125 1993 | R |
| B | COGAURO 350 | 350 1990 | R |
| B | DART 350 | 350 1988 1989 | R |
| B | DART 350 | 350 1990 | R |
| B | EXCALIBUR RLX 350 | 350 1990 | R |
| B | KANGURO 350 | 350 1987 | R |
| B | NEW YORK 350 | 350 1989 | R |
| B | WS 350 PRO ACTION | 350 1993 | R |
| B | DART 400 | 400 1990 | R |
| MZ | B SKORPION CUP / SPORT / TOUR / TRAVELLER | 660 1995 | R |
| B | SKORPION REPLICA | 660 1995 | R |
| NORTON | B FORMULA 1 | 688 1989 1991 | R |
| PUCH | B MAXI 80 | 80 1988 | R |
| B | CROSS 250 | 250 1986 1986 | F |
| B | HFE 250 | 250 1986 1986 | F |
| B | ENDURO 600 4 VALVES | 600 1985 | F/R |
| SWM | B S1 125 | 125 1983 | F |
| B | S2 125 | 125 1983 | F |
| B | S1 250 | 250 1983 | F |
| B | S2 250 | 250 1983 | F |
| TM | B GS 80 | 80 1986 1989 | R |
| B | MC 80 | 80 1986 1989 | R |
| B | GS 125 | 125 1986 1989 | R |
| B | MC 125 | 125 1986 1989 | R |
| B | SMM 125 (2T) Black Dream (320mm front disc) | 125 2008 2011 | R |
| B | SMM 125 Black Dream (Rim brake) | 125 2004 2008 | R |
| B | SMM 250 (2T) | 250 2005 2011 | R |
| B | SMM 300 (2T) | 300 2005 2011 | R |
| B | SMM 400 (4T) (Rim brake) | 400 2004 0000 | R |
| B | SMM 450 Black Dream ES (4T) | 450 2005 2008 | R |
| B | SMM 450 F Black Dream ES (320mm front disc) | 450 2008 2010 | R |
| B | SMM 530 F Black Dream (Rim brake) | 530 2004 2007 | R |
| B | SMM 530 F Black Dream ES (320mm front disc) | 530 2008 2010 | R |
| TORNAX | B RX 80 | 80 | F |
| TRE SOLDI | B CR 80 | 80 1985 | F |
| YAMAHA | B TDR 125 | 125 1992 | R |
| B | TZR 125 (Italia) | 125 1991 | R |
| B | TZR 125 RED ROCKET | 125 1993 | R |
| B | SZR 660 | 660 1996 1997 | R |
| ZUNDAPP | B KS 80 SUPER | 80 1980 | F |
| FDB213 | ATK (USA) | B all models 1986 | R |
| B | all models 1988 | 1988 | R |
| B | 560 | 560 1986 1987 | R |



CC FROM TO FRONT / REAR

FDB217

| CC | FROM | TO | FRONT / REAR | |
|--------|------------------|---|--------------|-----|
| B | BENELLI | 254 | 1979 | F |
| B | BETA | MS 50 | 1980 | F |
| B | | SQUIRREL 50 | 1983 | F |
| B | CASAL | RZ 50 | | F |
| B | CIMATTI | Gringo 50 | | F |
| B | FANTIC | STRADA 50 SUPER SIX | 1973 | F |
| B | GARELLI | CICLONE 50 N DE LUXE SELF MIX L.C | | F |
| B | HERCULES | Lotus 80 SA | | F |
| B | HERCULES (SACHS) | CHOPPER 50 | | F |
| B | | RX - 9 / RX - 9 50 AIRCOOLED | | F |
| B | | SUPRA 50 4 GP | | F |
| B | | ULTRA 50 RS | | F |
| B | | ULTRA 50 RS 40 | | F |
| B | | ULTRA 80 RS | | F |
| B | | ULTRA 80 RS AC | | F |
| B | | ULTRA 125 RS | | F |
| B | HOREX | REBELL 80 N | | F |
| B | | REBELL 80 SPORTL | | F |
| B | | REBELL 80 T | | F |
| B | MACAL | TR 50 TROPHY | 1999 | F |
| B | MALAGUTI | CHOPPER 25 | 2000 | F |
| B | | CHOPPER 40 | 2000 | F |
| B | | FIFTY 50 HF | 2000 | F |
| B | | GRIZZLY 50 RCX / "12" | 1987 | F |
| B | | LX 50 SPORT | 2000 | F |
| B | | RCW 50 RONCO | 2000 | F |
| B | | VA 50 OLYMPIQUE | 2000 | F |
| B | | WC 50 WATERCOOLED | 2000 | F |
| B | | CHOPPER 80 | 2000 | F |
| B | MALANCA | GT 5 50 | | F |
| B | | ST 54 | | F |
| B | | 125 | | F |
| B | MOTO GUZZI | TURISMO 125 | 1974 1981 | F |
| B | MOTRON | V 3 50 RID | | F |
| B | OSSA | TU-YO 360 | | F/R |
| B | PUCH | GTL 50 | | F |
| B | | MONZA 50 | 1984 | F |
| B | | 80 /6 | | F |
| B | | 348 | | F |
| B | | 504 | | F |
| B | | 506 | | F |
| B | | 560 (Rotax engine) | | F |
| B | REAL | NEVADA 80 SPORT | | F |
| B | RIXE | RS 80 W | | F |
| B | ZUNDAPP | KS 50 SPORT | | F |
| B | | KS 50 SUPER SPORT | | F |
| B | | KS 100 | | F |
| FDB217 | SUZUKI | B GS 550 ET - EX - EZ | 1980 1984 | F |
| B | | GS 550 LT - LX | 1980 1984 | F |
| B | | GS 550 MEX | 1981 1983 | F |
| B | | GS 550 MEZ KATANA | 1981 1983 | F |
| B | | GR 650 - X | 1983 | F |
| B | | GS 650 GTX - GTZ - GX | 1981 1983 | F |
| B | | GS 650 GZ KATANA | 1981 1983 | F |
| B | | GS 650 TURBO | 1983 | F |
| B | | GS 650 XN - 85 TURBO | 1983 | F |
| B | | GS 1000 ET | 1980 1981 | F |
| B | | GSX 1000 S KATANA | 1982 | F |
| B | | GSX 1100 E - EF - ES | 1980 1982 | F |
| B | | GSX 1100 G | 1980 1982 | F |
| B | | GSX 1100 S KATANA | 1982 1983 | F |
| FDB218 | SUZUKI | B GN 250 | 1993 1997 | F |
| B | | GN 250 F / J | 1993 1997 | F |
| B | | GNX 250 E | 1983 | F |
| B | | GS 250 E | 1979 1981 | F |
| B | | GS 250 T - TT - TX | 1979 1981 | F |
| B | | GSX 250 E - ET - EX - EZ - T | 1979 | F |
| B | | GSX 250 S | 1985 1990 | F |
| B | | GN 400 TT | 1980 | F |
| B | | GSX 400 ET - EX - EZ | 1980 1983 | F |
| B | | GSX 400 L | 1980 1983 | F |
| B | | GSX 400 TWIN | 1980 1983 | F |
| B | | GSX 400 TX - LX | 1981 1983 | F |
| B | | GS 450 ET - L - T | 1980 1980 | F |
| B | | GS 700 E - ES | 1985 | F |
| B | | GV 700 GL | 1985 | F |
| B | | GV 700 GL MADURA | 1984 | F |
| B | | GSX 750 EFE - ESD - ESG - ESE - SEH - EFF | 1980 1986 | F |



CC FROM TO FRONT / REAR

| Code | Brand | Model | CC | FROM | TO | FRONT / REAR | | |
|-----------|----------|----------------------------------|------------|------------------|------|--------------|------|---|
| ...FDB218 | | B GSX 750 ET - EX | 750 | 1980 | 1981 | F | | |
| | | B GSX 750 S KATANA | 750 | 1980 | | F | | |
| | | B GS 850 GZ - GE - GG | 850 | 1980 | 1985 | F | | |
| | | B GS 1000 GT - GX | 1000 | 1982 | | F | | |
| | | B GS 1100 GZ | 1100 | 1982 | | F | | |
| | | B GV 1200 GL MADURA | 1200 | 1985 | 1986 | F | | |
| FDB220 | KAWASAKI | B Z 1000 E1 - E2 - SHAFT - ST | 1000 | 1979 | 1981 | F | | |
| | | B Z 1300 | 1300 | 1979 | 1983 | F | | |
| | | B ZG 1300 DF1 | 1300 | 1984 | 1986 | F | | |
| FDB244 | HONDA | B CB 125 TDC - TDE - TDJ | 125 | 1983 | 1989 | F | | |
| | | B CN 250 HELIX | 250 | 1986 | 1987 | F | | |
| | | B NS 250 RF | 250 | 1984 | 1986 | F/R | | |
| | | B NSR 250 | 250 | 1986 | | R | | |
| | | B NSR 250 R | 250 | 1986 | 1987 | R | | |
| | | B CBR 400 R HURRICANE | 400 | 1986 | | R | | |
| | | B CBX 400 C | 400 | 1983 | | R | | |
| | | B FT 400 | 400 | 1982 | | F/R | | |
| | | B NS 400 RF - RG | 400 | 1985 | | R | | |
| | | B NV 400 SP CUSTOM | 400 | 1988 | | R | | |
| | | B VF 400 F INTEGRA | 400 | 1982 | | R | | |
| | | B VFR 400 R | 400 | 1986 | 1987 | R | | |
| | | B CMX 450 CG REBEL | 450 | 1986 | 1988 | F | | |
| | | B CX 500 CC - EC | 500 | 1982 | | F/R | | |
| | | B CX 500 T (TURBO) | 500 | 1983 | | F/R | | |
| | | B FT 500 - C | 500 | 1982 | | F/R | | |
| | | B GL 500 DC | 500 | 1982 | | F | | |
| | | B GL 500 SILVER WING INTERSTATE | 500 | 1982 | | F | | |
| | | B VF 500 FE - F2E | 500 | 1984 | | F | | |
| | | B VF 500 FF - F2F | 500 | 1984 | | F | | |
| | | B VT 500 CD - FT | 500 | 1982 | | F | | |
| | | B XBR 500 S - F - G - H | 500 | 1985 | | F | | |
| | | B XL 600 LM-RM-R-V-L | 600 | 1985 | 1990 | F | | |
| | | B XL 600 V TRANSALP | 600 | 1987 | 1990 | F | | |
| | | B CB 650 SCD | 650 | 1983 | | F | | |
| | | B CBX 650 ED | 650 | 1983 | | F | | |
| | | B CX 650 EC - T | 650 | 1983 | | F/R | | |
| | | B CX 650 ED | 650 | 1982 | | F | | |
| | | B CX 650 TD (TURBO) E | 650 | 1983 | | F/R | | |
| | | B GL 650 D2TE | 650 | 1983 | | F | | |
| | | B GL 650 DD - ID | 650 | 1983 | | F | | |
| | | B CB 700 SC NIGHT HAWK | 700 | 1984 | | F | | |
| | | B VF 700 C MAGNA | 700 | 1984 | | F | | |
| | | B VF 700 C MAGNA | 700 | 1985 | | F | | |
| | | B VF 700 F INTERCEPTOR | 700 | 1984 | 1985 | F | | |
| | | B VF 700 S SABRE | 700 | 1984 | | F | | |
| | | B VT 700 C SHADOW | 700 | 1986 | | F | | |
| | | B VT 700 C SHADOW | 700 | 1987 | | F | | |
| | | B B 750 EC - ED | 750 | 1982 | | F/R | | |
| | | B B 750 F2 - F2D | 750 | 1982 | | F/R | | |
| | | B CB 750 K | 750 | 1982 | | F/R | | |
| | | B CB 750 SC NIGHTHAWK | 750 | 1982 | 1983 | F | | |
| | | B CBX 750 FE | 750 | 1983 | 1984 | F | | |
| | | B VF 750 C-SC-CC-F-FC | 750 | 1983 | | F | | |
| | | B VF 750 F-FD-FE-MAGNA-SABRE-INT | 750 | 1982 | | F | | |
| | | B VT 750 C SHADOW | 750 | 1983 | 1985 | F | | |
| | | B VT 750 C SHADOW | 750 | 1986 | 1996 | F | | |
| | | B XLV 750 R - RD - RF | 750 | 1984 | 1988 | F | | |
| | | B VT 800 C | 800 | 1988 | | F | | |
| | | B CB 900 F2B - FB | 900 | 1982 | 1983 | F/R | | |
| | | B CB 900 FD - FC - F2C - F2D | 900 | 1983 | 1985 | F/R | | |
| | | B CBX 1000 B - C | 1000 | 1981 | 1982 | F/R | | |
| | | B VF 1000 - 2 | 1000 | 1984 | 1986 | F | | |
| | | B VF 1000 BOL D'OR | 1000 | 1984 | 1986 | F | | |
| | | B VF 1000 F - FE | 1000 | 1984 | 1986 | F | | |
| | | B VF 1000 RE - RF | 1000 | 1984 | 1986 | F | | |
| | | B CB 1100 FD | 1100 | 1980 | 1983 | F/R | | |
| | | B CB 1100 RBI - II | 1100 | 1980 | 1983 | F/R | | |
| | | B CB 1100 RCII | 1100 | 1980 | 1983 | F/R | | |
| | | B CBX 1100 F | 1100 | 1982 | 1985 | R | | |
| | | B GL 1100 / DX | 1100 | 1982 | | F/R | | |
| | | B VT 1100 C | 1100 | 1985 | 1993 | F | | |
| | | B VT 1100 C MAGNA | 1100 | 1983 | 1985 | F/R | | |
| | | B GL 1200 DX all models | 1200 | 1984 | 1986 | F/R | | |
| | | B GL 1500 GOLD-ASPENCADE | 1500 | 1992 | | R | | |
| | | B GL 1500 SE GOLD WING | 1500 | 1993 | 2000 | R | | |
| | | B GL 1520 | 1500 | 1988 | 1989 | R | | |
| | | KAWASAKI | B VT 800 C | 800 | 1988 | 1990 | F | |
| | | FDB247 | YAMAHA | B XS 750 SE - SG | 750 | 1979 | 1980 | F |



CC FROM TO FRONT / REAR

| Code | Brand | Model | CC | FROM | TO | FRONT / REAR |
|--------------|----------|--|------|------|------|--------------|
| | | B XV 750 SE | 750 | 1981 | | F |
| | | B XS 850 (left) | 850 | 1980 | 1982 | F |
| FDB250 | CAGIVA | B WR 125 | 125 | 1993 | | R |
| | | B "S" FIVE / "E" FIVE | 50 | 2001 | | F |
| | | B CORDI 50 | 50 | 2004 | | F |
| DAELIM | | B GZ 50 MESSAGE | 50 | 2001 | 2003 | F |
| | | B TAPO 50 | 50 | 1999 | 2003 | F |
| | | B VIVO 50 | 50 | 1999 | | F |
| HONDA | | B ALTINO 100 | 100 | 1999 | | F |
| | | B DELFINO 100 | 100 | 1999 | 2000 | F |
| | | B DELFINO 100 | 100 | 2001 | 2003 | F |
| HONDA | | B ALTINO 125 | 125 | 2001 | | F |
| | | B HISTORY 125 | 125 | 2001 | | F/R |
| | | B NS 125 | 125 | 2001 | | F/R |
| HONDA | | B OTELLO / NS 125 | 125 | 1999 | | F |
| | | B VS 125 | 125 | 1995 | 1998 | F |
| | | B CRM 50 | 50 | 1988 | 1992 | F |
| HONDA | | B CRM 50 | 50 | 1993 | 1996 | F |
| | | B G-DASH 50 | 50 | 1989 | 1992 | F |
| | | B MB 50 | 50 | 1982 | | F |
| HONDA | | B MXR 50 | 50 | | | F |
| | | B CR 80 R | 80 | 1987 | 1991 | F |
| | | B CR 80 R | 80 | 1992 | 2006 | F |
| HUSQVARNA | | B CRM 80 | 80 | 1988 | 1992 | F |
| | | B CRM 80 | 80 | 1993 | | F |
| | | B MBX 80 FWD | 80 | 1983 | | F |
| HUSQVARNA | | B CB 125 RS | 125 | 1983 | | F |
| | | B RS 125 R | 125 | 1995 | | R |
| | | B RS 250 R | 250 | 1995 | | R |
| HUSQVARNA | | B SILVER WING 600 (hand brake) | 600 | 2001 | | F |
| | | A ATC 250 R | 250 | 1981 | 1982 | F |
| | | B 125 ALL MODELS 1992 | 125 | 1992 | | R |
| HYOSUNG ATV | KAWASAKI | B 250 ALL MODELS 1992 | 250 | 1992 | | R |
| | | B TC 610 CROSS | 610 | 1991 | | R |
| | | B TE 610 | 610 | 1991 | | R |
| KAWASAKI | KAWASAKI | A TE 450 S | 450 | 2007 | 2010 | F/R |
| | | B KX 65 | 65 | 1999 | | R |
| | | B KX 65 | 65 | 2000 | | R |
| KAWASAKI ATV | KEEWAY | B BN 125 A1/A2 ELIMINATOR | 125 | 1998 | 1999 | F |
| | | B KH 125 K1 | 125 | 1982 | 1998 | F |
| | | A KVF 300 PRAIRIE (2x4/4x4) | 300 | 1999 | 2002 | F |
| KEEWAY | MOTRON | A KVF 360 PRAIRIE (All Models) | 360 | 2003 | 2010 | F |
| | | A Dragon 250 Quad | 250 | 2007 | 2009 | R |
| | | B KCV 50 | 50 | | | F |
| PEUGEOT | PEUGEOT | New Vivacity (50cc/2T/12" Wheels/200mm Disc) | 50 | 2008 | 2012 | F |
| | | New Vivacity (50cc/4T/12" Wheels/200mm Disc) | 50 | 2008 | 2012 | F |
| | | New Vivacity Sixtes (50cc/4T/12" Wheels/ 200mm Disc) | 50 | 2010 | 2012 | F |
| PGO ATV | PGO ATV | Sum-Up (125cc) | 125 | 2008 | 2011 | F |
| | | A Bugrider 50 (Buggie) | 50 | 2006 | | R |
| | | A Bugxter BR150 A | 150 | 2005 | 2007 | R |
| QUADZILLA | SINNIS | A BR 200 | 200 | 2007 | 2008 | R |
| | | 125 T-8G Ecocity 125 | 125 | 2007 | 2009 | F |
| | | B QM 125 GY-2B (A) Apache 125 (Rear disc model) | 125 | 2009 | 2010 | R |
| SUZUKI | SUZUKI | B QM 125 GY-2B Blade 125 | 125 | 2009 | 2010 | R |
| | | QM 125 T- Matrix | 125 | 2010 | | F |
| | | QM 125 T-10H Matrix II | 125 | 2010 | | F |
| SUZUKI | SUZUKI | QM 125 T-10R Eagle 125 | 125 | 2010 | | F |
| | | B DR 125 S | 125 | 1986 | 1993 | F |
| | | B TS 125 | 125 | 1990 | 1996 | R |
| SUZUKI | SUZUKI | B TS 125 RK | 125 | 1989 | | F |
| | | B TS 125 X | 125 | 1988 | | F |
| | | B TX 125 XF | 125 | 1985 | | F |
| SUZUKI | SUZUKI | B DR 200 | 200 | 2000 | | F |
| | | B DR 200 K | 200 | 1989 | 1998 | F |
| | | B DR 250 S | 250 | 1986 | 1989 | F |
| SUZUKI | SUZUKI | B RH 250 X | 250 | 1987 | | F |
| | | B TS 250 X all models 250 | 250 | 1986 | 1989 | F |
| | | B VS 1400 GLPT/GLPV | 1400 | 1996 | 2002 | R |
| SUZUKI | SUZUKI | A LT-F 250 K OZARK | 250 | 2002 | 2007 | F |
| | | A LT-A/F 400 EIGER (All models) | 400 | 2002 | 2008 | F |
| | | A LT-A 500 FK2 VINSON 4x4 | 500 | 2001 | 2007 | F |
| SYM | SYM | A LT-A/F 500 FK VINSON | 500 | 2003 | 2007 | F |
| | | A Quadlander 600 | 600 | 2008 | 2010 | F |
| | | A Quadraider 600 | 600 | 2006 | 2007 | F |
| YAMAHA | YAMAHA | A MTX 450 | 450 | 2008 | | F/R |
| | | A YFS 200 BLASTER | 200 | 2003 | 2006 | F |
| | | A YFM 250 Big Bear | 250 | 2007 | 2009 | F |
| | | A YFM 250 BRUIN | 250 | 2005 | 2006 | F |

B = Bike
A = ATV
S = Snowmobile

B = Bike
A = ATV
S = Snowmobile



CC FROM TO FRONT / REAR

| Code | Brand | Model | CC | FROM | TO | FRONT / REAR | | |
|-------------------------------|----------|--|--------|--------------------|------|--------------|------|---|
| ...FDB250 | | A YFM 350 2x4 Grizzly | 350 | 2007 | 2010 | F | | |
| | | A YFM 350 4x4 Grizzly | 350 | 2007 | 2010 | F | | |
| | | A YFM 350 BRUIN (All Models) | 350 | 2004 | 2006 | F | | |
| | | A YFM 350 FW 4WD BIG BEAR | 350 | 1999 | 2003 | F | | |
| | | A YFM 350 FX WOLVERINE | 350 | 1995 | 2007 | F | | |
| | | A YFM 350 X Wolverine | 350 | 2006 | 2009 | F | | |
| | | A YFM 350 XT/XU WARRIOR | 350 | 1987 | 1988 | R | | |
| | | A YFM 350 XW-XS WARRIOR | 350 | 1989 | 2004 | F | | |
| | | A YFZ 350 A/B/D/E/F BANSHEE | 350 | 1990 | 2006 | F | | |
| | | A YFM 400 4x4 Grizzly | 400 | 2007 | 2008 | F | | |
| | | A YFM 400 BIG BEAR (All Models) | 400 | 2000 | 2007 | F | | |
| | | A YFM 400 FW Kodiak | 400 | 1999 | 2000 | F | | |
| | | A YFM 400 FW KODIAK (All Models except AUTO) | 400 | 2000 | 2006 | F | | |
| | | A YFM 400 KODIAK AUTO | 400 | 2003 | | F | | |
| | | A YFM 450 Grizzly (All models) | 450 | 2007 | 2010 | F | | |
| | | A YFM 450 KODIAK | 450 | 2003 | 2006 | F | | |
| | | A YFM 450 WOLVERINE (All models) | 450 | 2006 | 2010 | F | | |
| | | FDB277 | YAMAHA | B RD 50 MX | 50 | 1981 | 1987 | F |
| | | | | B RD 80 AIR COOLED | 80 | 1981 | 1982 | F |
| | | | | B RD 80 MX | 80 | 1981 | 1982 | F |
| B RX 80 SE | 80 | | | 1982 | | F | | |
| B RD 250 LC | 250 | | | 1981 | 1983 | F | | |
| B RD 350 LC | 350 | | | 1981 | 1982 | F | | |
| B XJ 550 | 550 | | | 1981 | 1984 | F | | |
| B XJ 750 | 750 | | | 1982 | 1984 | F | | |
| B XV 1000 SE MIDNIGHT SPECIAL | 1000 | | | 1983 | | F | | |
| B XS 1100 S | 1100 | | | 1981 | | F | | |
| FDB298 | KAWASAKI | | | B Z 250 A3 | 250 | 1981 | 1983 | F |
| | | | | B Z 250 J1 | 250 | 1981 | 1983 | F |
| | | B GPZ 400 | 400 | 1983 | 1984 | R | | |
| | | B Z 400 GP (M1) | 400 | 1983 | | R | | |
| | | B Z 440 C2 | 440 | 1981 | | F | | |
| | | B Z 440 D5 LTD | 440 | 1981 | 1983 | F | | |
| | | B Z 440 H1 - H2 | 440 | 1981 | 1983 | F | | |
| | | B Z 550 GP | 550 | 1984 | | R | | |
| | | B Z 550 GP D1 - H1 - H2 | 550 | 1981 | 1983 | R | | |
| | | B GT 750 | 750 | 1985 | 1996 | R | | |
| | | B Z 750 E1 | 750 | 1980 | | R | | |
| | | B Z 750 GP R1 | 750 | 1982 | | R | | |
| | | B Z 750 H1 - H2 LTD | 750 | 1980 | | R | | |
| | | B Z 750 L1 - L3 | 750 | 1981 | | R | | |
| | | B Z 750 LTD TWIN K1 | 750 | 1983 | | F | | |
| | | B Z 750 P1 | 750 | 1981 | | R | | |
| | | B Z 750 P2 SHAFT | 750 | 1981 | | R | | |
| | | B Z 750 P2 SHAFT GT | 750 | 1981 | | R | | |
| | | B Z 750 SPORT | 750 | 1984 | | R | | |
| | | B KZ 1000 all models | 1000 | 1982 | 1990 | F/R | | |
| B Z 1000 LTD | 1000 | 1981 | | R | | | | |
| B GPZ 1100 (ZX 1100 B1-B2) | 1100 | 1982 | 1983 | F/R | | | | |
| B Z 1100 A1/3 - B1/2 - F1 | 1100 | 1981 | 1983 | R | | | | |
| B Z 1100 GP | 1100 | 1981 | 1983 | R | | | | |
| B Z 1100 ST | 1100 | 1981 | 1983 | R | | | | |
| FDB299 | KAWASAKI | B GPZ 400 | 400 | 1983 | 1984 | F | | |
| | | B Z 400 GP (M1) | 400 | 1983 | | F | | |
| | | B Z 400 J2 - J3 | 400 | 1981 | 1983 | F | | |
| | | B Z 550 A3 - C1 - C2 LTD | 550 | 1980 | | F | | |
| | | B Z 550 GP | 550 | 1984 | | F | | |
| | | B Z 550 GP D1 - H1 - H2 | 550 | 1981 | 1983 | F | | |
| | | B Z 650 F2 - F4 | 650 | 1980 | 1983 | F | | |
| | | B GT 750 | 750 | 1985 | 1996 | F | | |
| | | B Z 750 E1 | 750 | 1980 | | F | | |
| | | B Z 750 GP R1 | 750 | 1982 | | F | | |
| | | B Z 750 H1 - H2 LTD | 750 | 1980 | | F | | |
| | | B Z 750 L1 - L3 | 750 | 1981 | | F | | |
| | | B Z 750 P1 | 750 | 1981 | | F | | |
| | | B Z 750 P2 SHAFT | 750 | 1981 | | F | | |
| | | B Z 750 P2 SHAFT GT | 750 | 1981 | | F | | |
| | | B Z 750 SPORT | 750 | 1984 | | F | | |
| | | B Z 750 Y1 LTD | 750 | 1982 | | F | | |
| | | B Z 1000 LTD | 1000 | 1981 | | F | | |
| | | B Z 1100 A1/3 - B1/2 - F1 | 1100 | 1981 | 1983 | F | | |
| | | B Z 1100 GP | 1100 | 1981 | 1983 | F | | |
| B Z 1100 SPECTRE - LTD | 1100 | 1981 | 1983 | F/R | | | | |
| B Z 1100 ST | 1100 | 1981 | 1983 | F | | | | |
| FDB310 | HONDA | B MVX 250 F | 250 | 1988 | | F | | |
| | | B VT 250 F2 | 250 | 1983 | 1984 | F | | |
| | | B VT 250 FZ | 250 | 1982 | 1987 | F | | |
| | | B VTR 250 INTERCEPTOR | 250 | 1988 | | F | | |



CC FROM TO FRONT / REAR

| Code | Brand | Model | CC | FROM | TO | FRONT / REAR | |
|--------------------------|---------|-------------------------------------|-------------------------|------|------|--------------|-----|
| FDB311 | YAMAHA | B VT 500 ED - EF - C | 500 | 1983 | | F | |
| | | B CBX 550 FC - FD - F2C - F2D | 550 | 1982 | 1984 | F/R | |
| | | B CB 650 | 650 | | | F/R | |
| | | B RD 80 LC1 | 80 | 1982 | | F | |
| | | B RD 80 LC2 - LCS | 80 | 1982 | | F | |
| | | B RD 125 LC | 125 | 1982 | 1984 | F | |
| | | B SR 125 | 125 | 1993 | 1996 | F | |
| | | B XV 240 VIRAGO | 240 | 1991 | 1992 | F | |
| | | B XV 240 VIRAGO | 240 | 1992 | 2000 | F | |
| | | B SR 250 E (Espana) | 250 | 1990 | 1994 | F | |
| FDB312 | BETA | B R 150 (Minicross /4T/49cc) | 50 | 2010 | 2012 | F | |
| | | CFMOTO | CF 250 T - 6A (Scooter) | 250 | 2012 | | F |
| | | DAELIM | B CITY ACE 110 | 110 | 2003 | | F |
| | | HONDA | B MBX 50 SD - SF | 50 | 1983 | | F |
| | | | B NSR 50 | 50 | 1993 | 1994 | F |
| | | B NSR 50 (Spain) | 50 | | | F | |
| | | B NSR 75 / FII | 75 | 1988 | 2000 | F | |
| | | B MBX 80 | 80 | 1982 | | F | |
| | | B MBX 80 (ESPANA) | 80 | 1984 | | F | |
| | | B MBX 80 DX | 80 | 1982 | | F | |
| B MBX 80 VOLLUERKLEIDUNG | 80 | 1985 | | F | | | |
| B NSR 80 R | 80 | 1987 | 1992 | F | | | |
| FDB313 | HYOSUNG | B CH 125 SPACY | 125 | 1998 | | F | |
| | | B FS 125 Sonic | 125 | 2003 | 2004 | F | |
| | | B MBX 125 RWB | 125 | 1984 | 1986 | F | |
| | | B CB 250 REBEL | 250 | 1986 | | F | |
| | | B COMET 125 / GT 125R | 125 | 2004 | | F/R | |
| | | B GV 125 AQUILA | 125 | 2001 | | F | |
| | | B KARION RT 125 D | 125 | 2002 | | F | |
| | | B RX 125 | 125 | 2001 | 2007 | F | |
| | | B RX 125 SM | 125 | 2007 | | F/R | |
| | | B XRX 125 OFFROAD | 125 | 1999 | | F | |
| | | B COMET 250 / GT 250R | 250 | 2004 | | F/R | |
| | | B GV 250 AQUILA | 250 | 2001 | | F | |
| | | B COMET GT 650 | 650 | 2006 | 2009 | F/R | |
| | | B COMET GT 650 / R | 650 | 2010 | | R | |
| | | B COMET GT 650R | 650 | 2004 | 2009 | F/R | |
| | | B GT 650 R / S | 650 | 2004 | | F/R | |
| | | B GV 650 | 650 | 2004 | 2005 | F | |
| | | B GV 650 AQUILA | 650 | 2006 | | F/R | |
| | | B AQUILA GV 700 | 700 | 2010 | | R | |
| | | B GV 1000 | 1000 | 2004 | | F | |
| B GRIFON 650 | 650 | 2007 | | F | | | |
| FDB314 | ITALJET | YY 50 QT-10 (2T) Viper | 50 | 2007 | 2009 | F | |
| | | YY 50 QT-10 (4T) Viper | 50 | 2007 | 2009 | F | |
| | | YY 50 QT-28 (2T) Raptor | 50 | 2007 | 2009 | F | |
| | | YY 50 QT-28 (4T) Raptor | 50 | 2007 | 2009 | F | |
| | | YY 50 QT-6 (2T) Agility | 50 | 2007 | 2009 | F | |
| | | YY 50 QT-6 (4T) Agility | 50 | 2007 | 2009 | F | |
| | | YY 80 QT-6 (4T) Agility | 80 | 2007 | 2009 | F | |
| | | YY 150 T-19 | 150 | 2008 | 2009 | F/R | |
| | | YY 250 T-19 | 250 | 2008 | 2009 | F/R | |
| | | Agora 50 (2T/4T) | 50 | 2010 | 2011 | F | |
| FDB315 | KEEWAY | RKS 125 | 125 | 2010 | 2011 | F | |
| | | KYMCO | B ACTIVE 50 SR | 50 | 2008 | | F |
| | | | B JETIX 50 | 50 | 2008 | | F |
| | | B NEXXON 50 | 50 | 2008 | | F/R | |
| | | B NEXXON 125 | 125 | 2007 | | F/R | |
| | | B PULSAR 125 | 125 | 2001 | 2006 | F | |
| | | B STRAIGHT 150 | 150 | 2008 | | F/R | |
| | | LAMBRETTA | 50 N Pato | 50 | 2008 | 2010 | F/R |
| | | | 125 N Pato | 125 | 2008 | 2010 | F/R |
| | | | 151 N Pato | 150 | 2008 | 2010 | F/R |
| FDB316 | PEUGEOT | Speedfight 3 (50cc A/C - 2T) | 50 | 2009 | 2012 | F | |
| | | Speedfight 3 (50cc L/C - 2T) | 50 | 2009 | 2012 | F | |
| | | Speedfight 3 - RS (50cc - A/C - 2T) | 50 | 2010 | 2012 | F | |



CC FROM TO FRONT / REAR

| Code | Brand | Model | CC | FROM | TO | FRONT / REAR |
|---------------------|---|-----------------------------------|----------------------------|------|------|--------------|
| ...FDB312 | SINNIS | Speedfight 3 - RS (50cc L/C - 2T) | 50 | 2009 | 2012 | F |
| | | Nitro 50 (2T) | 50 | 2009 | 2010 | F |
| | | Strike 50 (2T) | 50 | 2009 | 2010 | F |
| | | WY 125 T-56A Nitro 125 | 125 | 2009 | 2010 | F |
| FDB313 | ADLY | B Cat 50 | 50 | 1998 | | F |
| | | B G-Shock 50 | 50 | 1998 | | F |
| | | B Super Sonic 50 | 50 | 2000 | | F |
| | | B Thunderbike 50 | 50 | 1997 | | F |
| | | B Cat 100 | 100 | 1998 | | F |
| | | B G-Shock 100 | 100 | 1998 | | F |
| | | B Cat 125 | 125 | 1998 | | F |
| | | A 300 Utility | 300 | 2006 | | F/R |
| | | A Interceptor 300 | 300 | 2006 | | F/R |
| | | APRILIA | B RS4 50 (Rear JJ caliper) | 50 | 2011 | |
| B Scarabeo 100 (4T) | 100 | | 2010 | 2012 | F | |
| BOMBARDIER ATV | B RS4 125 4T (Rear JJ caliper) | 125 | 2011 | | R | |
| | A RALLY 200 | 200 | 2003 | 2007 | F | |
| CAN AM ATV | A DS 90 X (2x4/4T) | 90 | 2008 | 2010 | F/R | |
| | A Rally 200 | 200 | 2007 | | F | |
| CPI | B HUSSAR 50 | 50 | 2001 | 2002 | F | |
| DINLI ATV | A Diamond Back 90 | 90 | 2006 | | R | |
| E-TON ATV | A BXL-50 Draco | 50 | 2005 | 2006 | R | |
| | A Viper 50 Mini RXL 50 M (4T) | 50 | 2003 | 2008 | R | |
| | A Viper 50 RXL 50 | 50 | 2003 | 2006 | R | |
| | A Viper 70 RLX 70/70M (2T/4T) | 70 | 2005 | 2009 | R | |
| | A RXL 90 R Viper 90 R Reverse (2T/4T) | 90 | 2003 | 2009 | R | |
| | A RXL 90 Viper 90 | 90 | 2003 | 2006 | R | |
| | A BXL 100 Draco | 100 | 2005 | 2006 | R | |
| | A Viper EXL 150 ST Quad | 150 | 2005 | 2006 | F | |
| | A Yukon ELX 150 | 150 | 2005 | 2006 | F | |
| | A Vector VXL 250 ST Quad | 250 | 2006 | 2009 | F/R | |
| HONDA | B MB 80 | 80 | 1980 | | F | |
| | B MCX 80 all models | 80 | 1982 | 1984 | F | |
| HYOSUNG | B AVANTI 50 | 50 | 1999 | | F | |
| | B RUSH 50 | 50 | 1997 | | F | |
| | B SENSE 50 | 50 | 1998 | | F | |
| | B SF 50 / RALLY / RACING | 50 | 1999 | | F | |
| | B SUPER CAB 50 | 50 | 1995 | 1997 | F | |
| | B SUPER CAB 50 PLUS | 50 | 1998 | | F | |
| | B CAB 100 | 100 | 1998 | | F | |
| | B KR 110 MASTER | 110 | 2004 | | F | |
| | B MIDAS 110 PLUS | 110 | 1998 | | F | |
| | KAWASAKI | B AR 50 | 50 | 1981 | 1995 | F |
| B KMX 50 | | 50 | 1988 | | F | |
| B KSR 50 I/II | | 50 | 1990 | 1991 | F | |
| B AR 80 | | 80 | 1981 | 1982 | F | |
| B KD 80 | | 80 | 1988 | 1990 | F | |
| B KX 80 E2 | | 80 | 1984 | 1986 | F | |
| B KX 80 R3 | | 80 | 1993 | 1996 | F | |
| B KX 80 S1 - V1 | | 80 | 1988 | 1991 | F | |
| B KX 100 | | 100 | 1988 | 1991 | F | |
| B KDX 125 A1 | | 125 | 1990 | 1994 | F | |
| KAWASAKI 3 WHEELERS | B KMX 125 | 125 | 1986 | 2001 | F | |
| | B KX 125 B1 | 125 | 1981 | | F | |
| | B KMX 200 | 200 | 1988 | 1992 | F | |
| | B KX 250 B1 | 250 | 1982 | | F | |
| | A KXT 250 TECATE | 250 | 1984 | 2000 | R | |
| | KAWASAKI ATV | A KXF 250 Tecate | 250 | 1989 | | R |
| | | Flash 50 | 50 | 2007 | 2009 | F |
| | KEEWAY | Hurricane 50 | 50 | 2007 | 2009 | F |
| | | Hurricane 50-Base | 50 | 2007 | | F |
| | | Pixel 50 | 50 | 2008 | 2012 | F |
| A Dragon 250 Quad | | 250 | 2007 | 2009 | F | |
| KSR MOTO BY GENERIC | Jump 50 (2T) | 50 | 2012 | | F | |
| MALAGUTI | B CENTRO 50 4T / SL 4T | 50 | 2008 | | F | |
| | B F12 R PHANTOM | 50 | 2009 | | F | |
| PEUGEOT | B BUXI RS 50 | 50 | 1994 | 1997 | F | |
| | B Kisbee 50 (4T) | 50 | 2010 | 2012 | F | |
| | B Kisbee RS 50 (4T) | 50 | 2010 | 2012 | F | |
| | B SPEEDFIGHT 50 M (Heng-Tong caliper) | 50 | 1997 | | F | |
| | B SQUAB 50 (Heng-Tong caliper) | 50 | 1996 | 2001 | F | |
| | B TREKKER 50 ROAD | 50 | 1997 | | F | |
| | Vivacity 2 50 (Heng Tong Caliper/10" Wheels/190mm Disc) | 50 | 2008 | 2011 | F | |
| | PGO | B COMET 50 | 50 | 1991 | | F |
| | | B GALAXI 50 | 50 | 1992 | | F |
| | | B Mega 50 | 50 | 1994 | | F |
| B PS 50 | | 50 | 1993 | | F | |
| B GALAXI 90 | | 90 | 1992 | | F | |



CC FROM TO FRONT / REAR

| Code | Brand | Model | CC | FROM | TO | FRONT / REAR | |
|----------------------------------|----------------------------------|--|-----------------------------------|------|------|--------------|-----|
| | PGO ATV | A X Rider 50 | 50 | 2004 | 2005 | R | |
| | | A XL-Rider 50 | 50 | 2007 | 2008 | R | |
| | | A X Rider 90 | 90 | 2004 | 2005 | R | |
| | | A X Rider 110 | 110 | 2004 | 2005 | R | |
| | | A X Rider 150 | 150 | 2004 | 2005 | R | |
| | | PIAGGIO | B NGR 50 POWER DD / Silver Bullet | 50 | 2005 | | F |
| | | | B NGR 50 POWER DT | 50 | 2005 | 2007 | F |
| | | | B NRG 50 Power DD | 50 | 2010 | | F |
| | | | B NRG 50 Power Pure Jet | 50 | 2004 | 2008 | F |
| | | POLARIS ATV | A Phoenix 200 (Rear disc model) | 200 | 2005 | 2008 | F/R |
| A PHOENIX 200 (Rear drum model) | 200 | | 2005 | 2010 | F | | |
| A Sawtooth 200 (Rear disc model) | 200 | | 2006 | | F/R | | |
| QUADZILLA | A SAWTOOTH 200 (Rear drum model) | 200 | 2006 | | F | | |
| | A ZR 50 | 50 | 2007 | 2009 | R | | |
| SUZUKI | B ADDRESS 50 | 50 | 1992 | 1995 | F | | |
| | B SEPIA 50 | 50 | 1992 | 1995 | F | | |
| | B SEPIA AU 50 ZZ | 50 | 1996 | 1998 | F | | |
| | B TUNE 50 | 50 | 1993 | 1995 | F | | |
| | B ZZ 50 | 50 | 1992 | 1995 | F | | |
| | B LIDO 75 | 75 | 1989 | | F | | |
| | B AH 80 | 80 | 1992 | 1994 | F | | |
| | B RM 80 L/M | 80 | 1990 | 1994 | F/R | | |
| | B RM 80 X | 80 | 1986 | 1989 | F | | |
| | B RM 80 XT- XV - X | 80 | 1996 | 2001 | R | | |
| TGB | B RM 85 L | 85 | 2002 | 2004 | R | | |
| | B ADDRESS 100 V | 100 | 1992 | 1996 | F | | |
| | B LIDO 125 VARIO | 125 | 1990 | 1993 | F | | |
| | B GV 1400 | 1400 | 1985 | 1986 | R | | |
| | B 203 TRIGGER 50 | 50 | 2002 | | F | | |
| | TM | B 80/85 Minicross/Junior | | 1996 | 2000 | F | |
| | | A Moontrax 50 R | 50 | 2003 | 2006 | R | |
| | UM ATV | A Earthlander 90 R | 90 | 2005 | 2006 | R | |
| | | A Moontrax 90 R | 90 | 2003 | 2006 | R | |
| | | A Earthlander 200 | 200 | 2005 | 2006 | R | |
| YAMAHA ATV | A YFM 90 Raptor | 90 | 2009 | 2010 | R | | |
| FDB314 | ALFER | B AR 250 | 250 | 1992 | | R | |
| | | B AR 250 | 250 | 1993 | | R | |
| | | B VR 250 | 250 | 1994 | | R | |
| | APRILIA | B RX 125 (Brembo Front & Gremica Rear caliper) | 125 | 2008 | 2012 | R | |
| | | B TUAREG 350 WIND | 350 | 1989 | | R | |
| | | B TUAREG 350 WIND | 350 | 1990 | | R | |
| | | B TUAREG 600 WIND | 600 | 1989 | | F/R | |
| | BUELL | B all models | | 1994 | 1997 | R | |
| | | B ENDURCROSS 80 | 80 | 1994 | | R | |
| | GASGAS | B ENDURCROSS 125 | 125 | 1994 | | R | |
| B CROSS 250 | | 250 | 1995 | | R | | |
| B 501 ENDURO | | 50 | 1992 | 1993 | R | | |
| HUSABERG | B MC 350 | 350 | 1991 | 1993 | R | | |
| | B 500 all models | 500 | 1991 | 1992 | R | | |
| | B 500 all models | 500 | 1993 | 1995 | R | | |
| HUSQVARNA | B 600 ENDURO | 600 | 1992 | 1993 | R | | |
| | B EF 600 E (Quad) | 600 | 1998 | | R | | |
| | B CR 125 CROSS | 125 | 1991 | 1995 | R | | |
| | B WR 125 | 125 | 1991 | 1997 | R | | |
| | B WR 240 | 240 | 1991 | | R | | |
| | B CR 250 CROSS | 250 | 1991 | 1995 | R | | |
| | B WR 250 | 250 | 1990 | | R | | |
| | B WR 250 | 250 | 1991 | 1997 | R | | |
| | B WR 260 | 260 | 1991 | | R | | |
| | B TE 350 | 350 | 1990 | 1995 | R | | |
| KAWASAKI | B TE 510 | 510 | 1990 | | R | | |
| | B KSR 50 I/II | 50 | 1990 | 1991 | R | | |
| | B KX 80 H - K2 | 80 | 1987 | 1987 | F | | |
| | B KX 80 S1 - V1 | 80 | 1992 | | R | | |
| | B KH 100 G4 | 100 | 1983 | | F | | |
| | B AR 125 A1 - LC | 125 | 1982 | 1994 | F | | |
| | B KH 125 EX | 125 | 1982 | 1983 | F | | |
| | B KH 125 K2-4 - L1 | 125 | 1982 | 1983 | F | | |
| | B KMX 125 | 125 | 1986 | 2001 | R | | |
| | B KX 125 | 125 | 1986 | | F/R | | |
| | B KX 125 B2 - C1 | 125 | 1982 | 1985 | F | | |
| | B KX 125 E2 - D1 - E2 | 125 | 1987 | 1988 | R | | |
| | B KDX 200 C1 | 200 | 1986 | 1988 | F | | |
| | B KDX 200 E1 | 200 | 1989 | | F | | |
| | B KMX 200 | 200 | 1988 | 1992 | R | | |
| | B Z 200 A6 | 200 | 1983 | | F | | |
| | B EX 250 H1 - H2 | 250 | 1990 | | R | | |
| | B GPZ 250 | 250 | 1985 | | F | | |

B = Bike
A = ATV
S = Snowmobile

B = Bike
A = ATV
S = Snowmobile



CC FROM TO FRONT / REAR

...FDB314

| | | | | | |
|---------------------|--|-----|------|------|-----|
| B | KDX 250 BALIUS | 250 | 1991 | 1993 | R |
| B | KDX 250 ESTRELLA | 250 | 1992 | 1994 | F/R |
| B | KL 250 SUPER SHERPA | 250 | 2000 | | R |
| B | KLE 250 ANHELO | 250 | 1993 | 1999 | R |
| B | KLR 250 all models | 250 | 1984 | 2000 | F |
| B | KLX 250 H1 SUPER SHERPA | 250 | 1998 | 2005 | R |
| B | KMX 250 | 250 | 1989 | | F/R |
| B | KX 250 | 250 | 1986 | | F/R |
| B | KX 250 C1 - C2 | 250 | 1983 | 1985 | F |
| B | KX 250 E1 - F1 | 250 | 1987 | 1988 | R |
| B | ZXR 250 | 250 | 1989 | | R |
| B | ZZR 250 (EX 250 H) | 250 | 1990 | 1993 | R |
| B | GPZ 305 A1 | 305 | 1983 | 1996 | F |
| B | GPZ 305 B2 - B3 | 305 | 1983 | 1996 | F |
| B | GPZ 305 BELT DRIVE | 305 | 1983 | 1996 | F |
| B | EX 4 400 | 400 | 1995 | | R |
| B | GPX 400 | 400 | 1985 | | F |
| B | GPZ 400 | 400 | 1985 | 1987 | F |
| B | KLE 400 | 400 | 1991 | | R |
| B | LX 400 ELIMINATOR - SE | 400 | 1990 | | F |
| B | XANTUS 400 | 400 | 1992 | | R |
| B | Z 400 F2 | 400 | 1985 | 1987 | F |
| B | ZR 400 A1 - F | 400 | 1983 | | F |
| B | ZX 400 C2 | 400 | 1985 | | F |
| B | GPZ 500 S | 500 | 1988 | | F |
| B | GPZ 500 S | 500 | 1989 | 1992 | F |
| B | GPZ 500 S | 500 | 1994 | 1997 | R |
| B | KLE 500 | 500 | 1991 | | R |
| B | KX 500 | 500 | 1986 | | F/R |
| B | KX 500 A1 - A2 | 500 | 1983 | 1985 | F |
| B | KX 500 C1 | 500 | 1987 | 1988 | R |
| B | Z 500 F | 500 | 1983 | | F |
| B | ZR 500 A1 | 500 | 1983 | | F |
| B | Z 550 F | 550 | 1983 | 1984 | F |
| B | Z 550 G1 SHAFT | 550 | 1983 | | F |
| B | Z 550 GT - SPORT | 550 | 1983 | | F |
| B | ZR 550 A1 | 550 | 1983 | 1984 | F |
| B | KLR 570 | 570 | 1988 | | F |
| B | KLE 600 | 600 | 1992 | | R |
| B | KLR 600 | 600 | 1984 | 1988 | F |
| B | KLR 600 ELECTRIC STARTER | 600 | 1985 | | F |
| B | KLR 600 S | 600 | 1992 | | F |
| B | KL 650 TENGAI | 650 | 1989 | 1992 | R |
| B | KLR 650 | 650 | 1987 | 1994 | R |
| B | KLR 650 | 650 | 1995 | | R |
| B | ZX-7 750 R NINJA | 750 | 1989 | 1995 | R |
| B | ZX-7 750 R NINJA | 750 | 1996 | 1999 | R |
| B | ZX-7 750 R NINJA (Racing Applications) | 750 | 1996 | 1999 | R |
| KAWASAKI 3 WHEELERS | A KXT 250 A2 / B1 TECATE | 250 | 1985 | 1986 | F/R |
| | A KXT 250 B2 TECATE | 250 | 1987 | 2000 | F |
| KAWASAKI ATV | A KLF 300 BAYOU B Series | 300 | 1988 | 2004 | F |
| KTM | B 125 | 125 | 1989 | 1990 | F/R |
| | B 250 | 250 | 1989 | 1990 | F/R |
| | B 350 | 350 | 1989 | 1990 | F/R |
| | B GS 350 4 STROKE | 350 | 1993 | | R |
| | B THE DUKE 400 | 400 | 1994 | 1998 | R |
| | B 500 | 500 | 1989 | 1990 | F/R |
| | B MX 600 | 600 | 1992 | | R |
| KYMCO | B VISA R | 50 | 2010 | | F |
| | B VISA R 110 | 110 | 2010 | | F |
| | B AGILITY 125 R16 | 125 | 2008 | | R |
| QUADZILLA | A 300 E Stinger | 300 | 2009 | 2011 | F/R |
| | A 300 e XLC | 300 | 2007 | 2008 | F/R |
| | A 300 e XLC Stinger | 300 | 2007 | 2008 | F/R |
| | A Jow 300 | 300 | 2007 | 2008 | F/R |
| | A RL 300 Buggie | 300 | 2009 | 2011 | F/R |
| | A QZ 450 Sport | 450 | 2008 | 2009 | F/R |
| | A XLC 500 | 500 | 2010 | 2011 | F/R |
| | A RS 7 4WD | 700 | 2010 | 2011 | R |
| | A X7 R | 700 | 2010 | 2011 | R |
| | A RS 8 | 800 | 2010 | 2011 | R |
| SUZUKI | B OR 50 | 50 | 1980 | | F |
| | B ZR 50 SKX - SLKX | 50 | 1981 | 1987 | F |
| | B 3 E 80 | 80 | | | F |
| | B GT 80 L | 80 | 1981 | | F |
| | B RG 80 GAMMA | 80 | 2000 | | F |
| | B GP 100 C - DEN - N - X | 100 | 1978 | 1987 | F |
| | B GN 125 R | 125 | 1994 | 2001 | F |



CC FROM TO FRONT / REAR

FDB333

| | | | | | | |
|--------|------------------------------------|------------------------|------|------|------|---|
| B | GS 125 ESR / ESX | 125 | 1995 | 2000 | F | |
| B | GS 125 ESZ | 125 | 1982 | | F | |
| B | RG 125 E | 125 | 1982 | 1984 | F | |
| B | X4 125 | 125 | | | F | |
| B | GSX 400 F (FOUR) FZ | 400 | 1981 | 1983 | F | |
| B | GSX 400 FD | 400 | 1981 | 1983 | F | |
| B | GS 450 S | 450 | 1987 | | F | |
| SYM | ComBiz 125 | 125 | 2011 | 2012 | F | |
| TM | B all models 80 | 80 | 1990 | 1993 | R | |
| | B GS / MC 125 | 125 | 1990 | 1993 | R | |
| YAMAHA | B TDR 125 (Italia) | 125 | 1990 | 1991 | R | |
| FDB333 | HARLEY DAVIDSON | B XLX | 883 | 1983 | F | |
| | B XLCH 1000 Sportster® | 1000 | 1978 | 1979 | F | |
| | B XLCR 1000 Cafe Racer | 1000 | 1977 | 1978 | F | |
| | B XLH 1000 Sportster® | 1000 | 1978 | 1981 | F | |
| | B XLH 1000 Sportster® | 1000 | 1982 | 1983 | F | |
| | B XLS 1000 Roadster® | 1000 | 1979 | 1981 | F | |
| | B XLS 1000 Roadster® | 1000 | 1982 | 1983 | F | |
| | B FX Super Glide® | 1340 | 1978 | 1981 | F | |
| | B FXB Sturgis® Belt | 1340 | 1977 | 1981 | F | |
| | B FXB Sturgis® Belt | 1340 | 1982 | | F | |
| | B FXE Super Glide® | 1340 | 1978 | 1981 | F | |
| | B FXE Super Glide® | 1340 | 1982 | 1983 | F | |
| | B FXEF Super Glide® | 1340 | 1978 | 1981 | F | |
| | B FXR Super Glide® II | 1340 | 1982 | 1983 | F | |
| | B FXRS Super Glide® II | 1340 | 1982 | 1983 | F | |
| | B FXRT Sport Glide® | 1340 | 1983 | | F | |
| | B FXS Sturgis® | 1340 | 1977 | 1981 | F | |
| | B FXS Sturgis® | 1340 | 1982 | | F | |
| | B FXSB Low Rider® | 1340 | 1983 | | F | |
| | B FXWG Wide Glide® | 1340 | 1980 | 1981 | F | |
| | B FXWG Wide Glide® | 1340 | 1982 | 1983 | F | |
| FDB334 | HARLEY DAVIDSON | B XLCH 1000 Sportster® | 1000 | 1978 | 1979 | R |
| | B XLCR 1000 Cafe Racer | 1000 | 1977 | 1978 | R | |
| | B XLH 1000 Sportster® | 1000 | 1978 | 1981 | R | |
| | B XLS 1000 Roadster® | 1000 | 1979 | 1981 | R | |
| | B FLHT Electra Glide® (all models) | 1340 | 1983 | | F | |
| | B FLT Tour Glide® (all models) | 1340 | 1980 | 1983 | F | |
| FDB335 | HARLEY DAVIDSON | B XL 883 EVO | 883 | 1986 | 1987 | R |
| | B XLX | 883 | 1983 | | R | |
| | B XLX | 883 | 1984 | 1985 | R | |
| | B XLH 1000 Sportster® | 1000 | 1982 | 1983 | R | |
| | B XLH 1000 Sportster® | 1000 | 1984 | 1985 | R | |
| | B XLS 1000 Roadster® | 1000 | 1982 | 1983 | R | |
| | B XLS 1000 Roadster® | 1000 | 1984 | 1985 | R | |
| | B XR 1000 | 1000 | 1983 | 1985 | R | |
| | B XL 1100 EVO | 1100 | 1986 | | R | |
| | B FLST Heritage Softail® | 1340 | | | R | |
| | B FXB Sturgis® Belt | 1340 | 1982 | | R | |
| | B FXE Super Glide® | 1340 | 1982 | 1983 | R | |
| | B FXE Super Glide® | 1340 | 1984 | 1985 | R | |
| | B FXEF Super Glide® | 1340 | 1984 | 1985 | R | |
| | B FXLR Low Rider® Custom | 1340 | | 2000 | R | |
| | B FXR Super Glide® | 1340 | 1986 | | R | |
| | B FXR Super Glide® II | 1340 | 1982 | 1983 | R | |
| | B FXRD Sport Glide® Grand Touring | 1340 | 1986 | | R | |
| | B FXRS Low Glide | 1340 | 1984 | | R | |
| | B FXRS Super Glide® II | 1340 | 1982 | 1983 | R | |
| | B FXRT Sport Glide® | 1340 | 1984 | | R | |
| | B FXRT Sport Glide® | 1340 | 1983 | | R | |
| | B FXS Sturgis® | 1340 | 1982 | | R | |
| | B FXSB Low Rider® | 1340 | 1983 | | R | |
| | B FXSB Low Rider® | 1340 | 1984 | 1985 | R | |
| | B FXST Softail® | 1340 | 1984 | | R | |
| | B FXSTC Softail® Custom | 1340 | 1986 | | R | |
| | B FXWG Wide Glide® | 1340 | 1982 | 1983 | R | |
| | B FXWG Wide Glide® | 1340 | 1984 | 1986 | R | |
| FDB337 | NORTON | B COMMANDER | 580 | 1990 | F/R | |
| YAMAHA | B 125 BIKAN | 125 | 1991 | | R | |
| | B TZR 125 | 125 | 1990 | 1992 | F | |
| | B YD 250 S | 250 | 1991 | | F | |
| | B RD 350 YPVS | 350 | 1983 | 1984 | R | |
| | B FZ 400 | 400 | 1986 | | F | |
| | B FZR 400 R | 400 | 1987 | 1990 | R | |
| | B SRX 400 | 400 | 1985 | 1986 | F | |
| | B SRX 400 | 400 | 1990 | 1996 | R | |
| | B XJR 400 R | 400 | 1997 | | R | |
| | B RD 500 LC | 500 | 1984 | 1986 | F | |



CC FROM TO FRONT / REAR

...FDB337

| | | | | | |
|---|------------------------------|------|------|------|-----|
| B | RD 500 YPVS LC | 500 | 1984 | 1987 | F |
| B | FZ 600 | 600 | 1987 | 1988 | F |
| B | FZR 600 | 600 | 1989 | | F/R |
| B | FZR 600 R | 600 | 1990 | | R |
| B | FZR 600 R | 600 | 1991 | 1995 | R |
| B | XJ 600 RADIAN | 600 | 1984 | 1991 | F/R |
| B | YZF 600 R | 600 | 2000 | | R |
| B | YZF 600 R THUNDERCAT | 600 | 1995 | 1998 | R |
| B | FZ 750 | 750 | 1985 | 1986 | F/R |
| B | FZ 750 GENESIS | 750 | 1987 | 1988 | F/R |
| B | FZR 750 (O W01) | 750 | 1989 | 1991 | R |
| B | FZR 750 GENESIS | 750 | 1987 | | R |
| B | FZX 750 | 750 | 1987 | | F/R |
| B | XJ 750 F | 750 | 1984 | | F/R |
| B | XV 750 | 750 | 1989 | 1993 | F |
| B | YZF 750 RR-SP | 750 | 1993 | 1998 | R |
| B | TDM 850 | 850 | 1991 | 1995 | R |
| B | TDM 850 | 850 | 1996 | 2001 | R |
| B | TRX 850 | 850 | 1995 | 1999 | R |
| B | XJ 900 | 900 | 1983 | 1984 | F/R |
| B | XJ 900 F | 900 | 1985 | 1994 | F/R |
| B | XJ 900 F DIVERSION | 900 | 1995 | | R |
| B | XJ 900 SECA DIVERSION | 900 | 1995 | 2003 | R |
| B | FZR 1000 EX-UP | 1000 | 1991 | 1993 | R |
| B | FZR 1000 GENESIS - EX-UP | 1000 | 1986 | 1988 | R |
| B | FZR 1000 GENESIS - EX-UP | 1000 | 1994 | 1995 | R |
| B | FZR 1000 R | 1000 | 1994 | 1995 | R |
| B | FZR 1000 R - EX-UP | 1000 | 1989 | 1990 | R |
| B | GTS 1000 | 1000 | 1993 | 1999 | R |
| B | XV 1000 VIRAGO | 1000 | 1986 | 1988 | F |
| B | YZF 1000 THUNDERACE | 1000 | 1996 | 2001 | R |
| B | BT 1100 BULLDOG | 1100 | 2002 | | R |
| B | FJ 1100 J | 1100 | 1984 | 1985 | F/R |
| B | XV 1100 VIRAGO | 1100 | 1989 | 1993 | F |
| B | XVS 1100 DRAG STAR / CLASSIC | 1100 | 1999 | | R |
| B | FJ 1200 | 1200 | 1986 | 1987 | F/R |
| B | FJ 1200 | 1200 | 1988 | 1989 | R |
| B | FJ 1200 | 1200 | 1999 | | R |
| B | FJ 1200 ABS | 1200 | 1991 | 1995 | R |
| B | FJ 1200 W - WC | 1200 | 1989 | 1991 | R |
| B | XJR 1200 | 1200 | 1994 | | R |
| B | XJR 1200 | 1200 | 1995 | 1998 | R |
| B | XVZ 1200 12 T TD | 1200 | 1985 | 1987 | F/R |
| B | YMX 1200 12N V - MAX | 1200 | 1993 | 2003 | R |
| B | YMX 1200 12N V - MAX | 1200 | 2000 | | F/R |
| B | XJR 1300 SP | 1300 | 1999 | 2001 | R |

FDB338

KAWASAKI

| | | | | | |
|---|------------------------------------|------|------|------|---|
| B | ZX 400 L | 400 | 1992 | | R |
| B | ZXR 400 | 400 | 1991 | | R |
| B | ZXR 400 (ZX 400L) RR | 400 | 1992 | | R |
| B | ZXR 750 | 750 | 1989 | 1990 | R |
| B | ZXR 750 R | 750 | 1993 | 1995 | R |
| B | ZR 1100 C1 | 1100 | 1997 | 2000 | R |
| B | ZRX 1100 | 1100 | 1996 | 2000 | R |
| B | ZZR 1100 GT (ZX 1100 D) | 1100 | 1993 | 2001 | R |
| B | ZRX 1200 R - S | 1200 | 2000 | | R |
| B | ZRX 1200 R - S | 1200 | 2001 | | R |
| B | ZX 12 1200 R | 1200 | 2000 | 2003 | R |
| B | ZX 12 1200 R (Racing Applications) | 1200 | 2000 | 2003 | R |
| B | ZX-12R 1200 | 1200 | 2004 | | R |
| B | ZX-12R 1200 - Racing Applications | 1200 | 2004 | | R |
| B | ZZR 1200 | 1200 | 2002 | | R |

SUZUKI

| | | | | | |
|---|--------------------|-----|------|------|-----|
| B | RG 50 GAG - GAMMA | 50 | 1987 | | F |
| B | 250 BANDIT | 250 | 1990 | | R |
| B | ACROSS 250 | 250 | 1990 | | R |
| B | COBRA 250 | 250 | 1989 | | R |
| B | COBRA 250 | 250 | 1990 | | R |
| B | GF 250 S | 250 | 1986 | | R |
| B | GOOSE 250 | 250 | 1992 | | R |
| B | GS 250 FW | 250 | 1984 | | F/R |
| B | GSF 250 BANDIT | 250 | 1990 | | R |
| B | GSX 250 S KATANA | 250 | 1991 | | R |
| B | GSX-R 250 | 250 | 1987 | 1988 | R |
| B | GSX-R 250 R - R/SP | 250 | 1989 | | R |
| B | RG 250 W GAMMA | 250 | 1984 | 1987 | R |
| B | RG 250 W GAMMA | 250 | 2000 | | F/R |
| B | RGV 250 R | 250 | 1988 | | R |
| B | RGV 250 R | 250 | 1989 | | R |
| B | WOLF 250 | 250 | 1990 | | R |



CC FROM TO FRONT / REAR

FDB339

HYOSUNG
KAWASAKI

| | | | | | |
|---|---|------|------|------|-----|
| B | GOOSE 350 | 350 | 1992 | | R |
| B | GSF 400 BANDIT | 400 | 1991 | 1992 | R |
| B | GSF 400 BANDIT | 400 | 1993 | 1994 | R |
| B | GSF 400 BANDIT | 400 | 1995 | 1997 | R |
| B | GSF 400 S KATANA | 400 | 1989 | 1990 | R |
| B | GSX 400 FWS - D - E | 400 | 1983 | | F/R |
| B | GSX 400 IMPULSE | 400 | 1994 | 1996 | R |
| B | GSX 400 KATANA | 400 | 1989 | 1992 | R |
| B | GSX 400 R I/II | 400 | 1985 | 1986 | R |
| B | GSX 400 S | 400 | 1983 | | F/R |
| B | GSX 400 X IMPULSE 400 | 400 | 1986 | 1988 | R |
| B | GSX-R 400 | 400 | 1990 | | R |
| B | GSX-R 400 (III-IV) | 400 | 2000 | | R |
| B | GSX-R 400 (V) | 400 | 1989 | 1990 | R |
| B | GSX-R 400 (JAPAN) | 400 | 1985 | | F |
| B | GSX-R 400 R | 400 | 1990 | 1995 | R |
| B | RF 400 RVC | 400 | 1993 | | R |
| B | RG 400 GAMMA | 400 | 1985 | | R |
| B | GS 450 S | 450 | 1987 | | R |
| B | GS 500 E - K - FK | 500 | 1996 | | R |
| B | GS 500 E - K - L - M | 500 | 1989 | 1993 | R |
| B | RG 500 RF GAMMA | 500 | 1985 | 1987 | R |
| B | GSX 550 EF - EFE | 550 | 1983 | 1987 | F/R |
| B | GSX 550 ES - ESE | 550 | 1983 | 1987 | F/R |
| B | GSX 550 ESD - ES4 | 550 | 1983 | 1987 | F/R |
| B | GSX 550 ET - EV | 550 | 1987 | | F/R |
| B | GSF 600 BANDIT | 600 | 1995 | 1999 | R |
| B | GSF 600 BANDIT (left) | 600 | 2000 | | R |
| B | GSF 600 BANDIT - KATANA (left) | 600 | 1998 | | R |
| B | GSX 600 F KATANA | 600 | 1988 | 1993 | R |
| B | GSX-R 600 F | 600 | 1994 | 1995 | R |
| B | GSX-R 600 V | 600 | 1996 | 2003 | R |
| B | RF 600 RR | 600 | 1993 | 1997 | R |
| B | SV 650 - S (left) | 650 | 1999 | 2002 | R |
| B | GSX 750 EF | 750 | 1987 | | R |
| B | GSX 750 FK/FL/FM/FN/FP/FR/FS/FT/FV | 750 | 1989 | 1997 | R |
| B | GSX 750 FW/FX/FY/FK1/FK2 (left) | 750 | 1998 | 2006 | R |
| B | GSX 750 LIMITED EDITION | 750 | 1986 | | R |
| B | GSX 750 W/XY/K1 (left) | 750 | 1998 | | R |
| B | GSX-R 750 | 750 | 1988 | 1993 | R |
| B | GSX-R 750 LTD Special Edition | 750 | 1987 | 1988 | R |
| B | GSX-R 750 W | 750 | 1994 | 1999 | R |
| B | GSX-R 750 W (Racing Applications) | 750 | 1994 | 1999 | R |
| B | GSX-R 750 Y | 750 | 2000 | 2003 | R |
| B | GT 750 RF | 750 | 1985 | 1986 | R |
| B | RF 900 RT - RV | 900 | 1996 | 1999 | R |
| B | TL 1000 R | 1000 | 1998 | 2002 | R |
| B | TL 1000 SV TWIN | 1000 | 1997 | 2001 | R |
| B | GSX 1100 GM | 1100 | 1991 | 1992 | R |
| B | GSX-R 1100 | 1100 | 1985 | 1988 | R |
| B | GSX-R 1100 K - L - M - N | 1100 | 1989 | 1992 | R |
| B | GSX-R 1100 W | 1100 | 1993 | 1996 | R |
| B | GSX-R 1100 W (Racing Applications) | 1100 | 1991 | 1996 | R |
| B | GSF 1200 K1/SK1 BANDIT | 1200 | 2001 | | R |
| B | GSF 1200 T-ST-V-SV - BANDIT | 1200 | 1995 | 2000 | R |
| B | GSX 1200 | 1200 | 1999 | 2000 | R |
| B | GSX-R 1300 HAYABUSA (Racing Applications) | 1300 | 1999 | 2007 | R |
| B | GA 300 | 300 | 1998 | | F |
| B | EL 250 all models | 250 | 1991 | 1994 | F |
| B | EX 250 NINJA | 250 | 1986 | 1987 | F/R |
| B | GPZ 250 | 250 | 1985 | | R |
| B | LX 250 ELIMINATOR - SE | 250 | 1990 | | F |
| B | Z 250 | 250 | 1983 | | F |
| B | Z 250 GP BELT DRIVE | 250 | 1983 | | F |
| B | GPX 400 | 400 | 1985 | | R |
| B | GPZ 400 | 400 | 1985 | 1987 | R |
| B | KLE 400 VULCAN | 400 | 1990 | | F |
| B | VN 400 VULCAN | 400 | 1995 | | F |
| B | Z 400 F2 | 400 | 1985 | 1987 | R |
| B | ZL 400 | 400 | 1986 | 1987 | F |
| B | ZL 400 ELIMINATOR | 400 | 1988 | 1992 | F/R |
| B | ZL 400 ELIMINATOR | 400 | 1993 | | R |
| B | ZX 400 C2 | 400 | 1985 | | R |
| B | LTD450 (EN450 A1-A5) | 454 | 1986 | 1989 | F |
| B | EN 500 all models | 500 | 1990 | 1993 | F |
| B | GPZ 500 S | 500 | 1987 | | F |
| B | GPZ 500 S | 500 | 1989 | 1992 | R |
| B | GPZ 600 R | 600 | 1985 | 1989 | F/R |

B = Bike
A = ATV
S = Snowmobile

FERODO
MOTORCYCLE PADS
Updated on 30th Jan 2014

B = Bike
A = ATV
S = Snowmobile

3009



CC FROM TO FRONT / REAR

...FDB339

| | | | | | |
|---|-------------------------------|------|------|------|-----|
| B | ZL 600 A1/A2 | 600 | 1985 | 1994 | F |
| B | 750 BELT DRIVE | 750 | 1985 | 1987 | F/R |
| B | 750 TURBO | 750 | 1985 | 1987 | F/R |
| B | 750 VULCAN | 750 | 1989 | 1993 | F |
| B | GPZ 750 | 750 | 1985 | 1986 | F/R |
| B | GPZ 750 R1 | 750 | 1985 | 1987 | F/R |
| B | VN 750 | 750 | 1988 | 1989 | F/R |
| B | VN 750 TWIN | 750 | 1986 | 1987 | F |
| B | VN 750 VULCAN | 750 | 1990 | 1994 | F |
| B | Z 750 GP | 750 | 1983 | | F/R |
| B | ZX 750 A1 | 750 | 1983 | 1985 | F/R |
| B | ZX 750 E1 TURBO | 750 | 1983 | 1985 | F/R |
| B | VN 800 | 800 | 1995 | 1998 | F |
| B | VN 850 | 850 | 1995 | 1999 | F |
| B | GPZ 900 | 900 | 1985 | 1986 | F/R |
| B | GPZ 900 R NINJA | 900 | 1984 | 1989 | F/R |
| B | GPZ 1000 RX - RY | 1000 | 1986 | | F/R |
| B | GTR 1000 | 1000 | 1986 | 1993 | F/R |
| B | VN 1000 VULCAN | 1000 | 1987 | | F/R |
| B | Z 1000 GTR | 1000 | 1994 | 2003 | R |
| B | Z 1000 GTR (ZG 1000) | 1000 | 1986 | 1993 | F/R |
| B | ZL 1000 all models | 1000 | 1987 | | F/R |
| B | GPZ 1100 (ZX 1100 A1) | 1100 | 1983 | 1985 | F/R |
| B | VN 1100 | 1100 | 1987 | | F/R |
| B | Z 1100 R1 | 1100 | 1984 | | F/R |
| B | ZX 1100 A1 | 1100 | 1983 | 1984 | F/R |
| B | KZ 1200 | 1200 | 1987 | | F/R |
| B | ZG 1200 | 1200 | 1986 | 1990 | F/R |
| B | ZG 1200 VOYAGER | 1200 | 1986 | | F/R |
| B | VN 1500 all models | 1500 | 1987 | 1993 | F/R |
| B | VN 1500 CLASSIC TOURER (left) | 1500 | 1999 | | R |
| B | VN 1500 D1/D2 CLASSIC | 1500 | 1996 | 1998 | R |

FDB342

| | | | | | | |
|---------|---|---|-----|------|------|-----|
| DUCATI | B | 850 GT - GTS | 850 | 1977 | 1980 | F |
| TRIUMPH | B | BONNEVILLE T 400 V E | 400 | 1982 | 1984 | R |
| | B | BONNEVILLE T 400 V E | 400 | 2000 | | F/R |
| | B | TRIDENT TI 500 V | 500 | 1982 | 1984 | R |
| | B | TRIDENT TI 500 V | 500 | 2000 | | F/R |
| | B | BONNEVILLE 750 TWIN (Lockheed calipers) | 750 | 1975 | 1981 | F/R |
| | B | BONNEVILLE 750 TWIN (Lockheed calipers) | 750 | 1982 | 1984 | R |
| | B | TIGER 750 TR 7V | 750 | 1976 | 1981 | R |
| | B | TIGER 750 TR 7V | 750 | 2000 | | F |

FDB352

| | | | | | | |
|-----------------|---|-----------------------------------|------|------|------|---|
| HARLEY DAVIDSON | B | XL 883 EVO | 883 | 1986 | 1987 | F |
| | B | XL 883 EVO | 883 | 1987 | 1999 | F |
| | B | XLX | 883 | 1984 | 1985 | F |
| | B | XLH 1000 Sportster® | 1000 | 1984 | 1985 | F |
| | B | XLS 1000 Roadster® | 1000 | 1984 | 1985 | F |
| | B | XR 1000 | 1000 | 1983 | 1985 | F |
| | B | XL 1100 EVO | 1100 | 1986 | | F |
| | B | XL 1200 EVO | 1200 | | 1999 | F |
| | B | FLHR Road King® (all models) | 1340 | 1994 | 1999 | F |
| | B | FLHS Electra Glide® Sport | 1340 | | 1993 | F |
| | B | FLHT Electra Glide® (all models) | 1340 | 1984 | 1985 | F |
| | B | FLHT Electra Glide® (all models) | 1340 | 1986 | 1999 | F |
| | B | FLST Heritage Softail® | 1340 | | | F |
| | B | FLST Heritage Softail® | 1340 | | 1990 | F |
| | B | FLSTC Heritage Softail® Classic | 1340 | | 1999 | F |
| | B | FLSTF Fat Boy® | 1340 | 1990 | 1999 | F |
| | B | FLSTN Heritage Softail® | 1340 | 1993 | 1996 | F |
| | B | FLSTS / FLSTSI Springer Softail® | 1340 | 2000 | 2005 | F |
| | B | FLSTS Heritage Springer® Softail® | 1340 | 1997 | 1999 | F |
| | B | FLT Tour Glide® (all models) | 1340 | 1984 | 1985 | F |
| | B | FLT Tour Glide® (all models) | 1340 | 1986 | 1999 | F |
| | B | FLTR Road Glide® (all models) | 1340 | 1998 | 1999 | F |
| | B | FXD Dyna Super Glide® | 1340 | 1995 | 1999 | F |
| | B | FXDB Dyna Street Bob | 1340 | 1991 | 1992 | F |
| | B | FXDC Dyna Super Glide® Custom | 1340 | 1991 | 1992 | F |
| | B | FXDG Dyna Glide Sturgis® | 1340 | 1991 | | F |
| | B | FXDL Dyna Low Rider® | 1340 | 1993 | 1999 | F |
| | B | FXDS-Conv. / Dyna Convertible | 1340 | 1994 | 1999 | F |
| | B | FXDWG Dyna Wide Glide® | 1340 | 1993 | 1999 | F |
| | B | FXDX Dyna Super Glide® Sport | 1340 | 1995 | 1999 | F |
| | B | FXE Super Glide® | 1340 | 1984 | 1985 | F |
| | B | FXEF Super Glide® | 1340 | 1984 | 1985 | F |
| | B | FXLR Low Rider® Custom | 1340 | | 2000 | F |
| | B | FXLR Low Rider® Custom | 1340 | | 1994 | F |
| | B | FXR Super Glide® | 1340 | | 1994 | F |
| | B | FXR Super Glide® | 1340 | 1986 | | F |
| | B | FXRD Sport Glide® Grand Touring | 1340 | 1986 | | F |



CC FROM TO FRONT / REAR

| | | | | | | | |
|--------|---------------------|----------------------------------|--|------|------|------|-----|
| | B | FXRS Low Glide | 1340 | | 1992 | F | |
| | B | FXRS Low Glide | 1340 | 1984 | | F | |
| | B | FXRT Sport Glide® | 1340 | | 1992 | F | |
| | B | FXRT Sport Glide® | 1340 | 1984 | | F | |
| | B | FXSB Low Rider® | 1340 | 1984 | 1985 | F | |
| | B | FXST Softail® | 1340 | | 1990 | F | |
| | B | FXST Softail® | 1340 | 1984 | | F | |
| | B | FXST Softail® Standard | 1340 | 1999 | | F | |
| | B | FXSTB Night Train® | 1340 | | 1999 | F | |
| | B | FXSTC Softail® Custom | 1340 | | 1999 | F | |
| | B | FXSTC Softail® Custom | 1340 | 1986 | | F | |
| | B | FXSTS / FXSTSI Springer Softail® | 1340 | 2000 | 2005 | F | |
| | B | FXSTS / FXSTSI Springer Softail® | 1340 | 2006 | | F | |
| | B | FXSTS Springer Softail® | 1340 | | 1999 | F | |
| | B | FXSTSB Bad Boy | 1340 | 1995 | 1997 | F | |
| | B | FXWG Wide Glide® | 1340 | 1984 | 1986 | F | |
| | B | FLSTSB Crossbones® | 1450 | 2008 | | F | |
| | B | FLSTSC Springer® Classic | 1450 | 2005 | | F | |
| | B | FLSTSC Springer® Classic | 1450 | 2006 | 2007 | F | |
| | | G-Max 125 | 125 | 2006 | 2008 | F | |
| | | G-Max 125 (Wave disc) | 125 | 2009 | 2012 | F | |
| | | G-Max 250 | 250 | 2006 | 2008 | F | |
| FDB381 | ARCTIC CAT ATV | A | 400 DVX | 400 | 2004 | 2008 | F |
| | HONDA 3 WHEELERS | A | ATC 200 X (Disc Brake) | 200 | 1983 | 1987 | F/R |
| | | A | ATC 250 R | 250 | 1983 | 1984 | F/R |
| | | A | ATC 350 X | 350 | 1985 | 2000 | R |
| | | A | ATC 350 X | 350 | 1986 | 2000 | R |
| | HONDA ATV | A | TRX 250 EX Fourtrax/Sportrax/X/XA | 250 | 2001 | 2010 | F |
| | | A | TRX 250 X Fourtrax | 250 | 1987 | 1992 | F/R |
| | | A | TRX 300 EX Fourtrax | 300 | 1993 | 2008 | F/R |
| | | A | TRX 300 X | 300 | 2009 | | F/R |
| | | A | TRX 400 EX Fourtrax/Sportrax | 400 | 1999 | 2008 | F/R |
| | | A | TRX 400 FW / FM Fourtrax Foreman | 400 | 1995 | 2003 | F |
| | | A | TRX 400 X | 400 | 2009 | | F/R |
| | | A | TRX 420 FA/FPA P.S.Fourtrax Rancher | 420 | 2009 | 2010 | F |
| | | A | TRX 420 FPE/FPM Fourtrax Rancher 4x4 | 420 | 2009 | 2010 | F |
| | | A | TRX 420 TM/TE/FE/FM Fourtrax Rancher | 420 | 2007 | 2010 | F |
| | KAWASAKI | B | KX 80 R3 | 80 | 1993 | 1996 | R |
| | | B | KX 80 R7-T7-W1/2-Y1/2 | 80 | 1997 | 2000 | R |
| | | B | KX 80 S1 - V1 | 80 | 1988 | 1991 | R |
| | | B | KX 85 / 85-2 A1 / B1 | 85 | 2001 | | R |
| | | B | KX 100 | 100 | 1988 | 1991 | R |
| | | B | KX 100 B7 / C1 / C2 / C3 | 100 | 1997 | 2000 | R |
| | KAWASAKI 3 WHEELERS | A | KXT 250 B2 TECATE | 250 | 1987 | 2000 | R |
| | KAWASAKI ATV | A | KSF 250 MOJAVE A Series | 250 | 1987 | 2005 | R |
| | | A | KXF 250 Tecate | 250 | 1987 | 1988 | R |
| | | A | KEF 300 LAKOTA A Series, LAKOTA SPORT B Series | 300 | 1995 | 2003 | R |
| | | A | KSF 400 / KFX 400 | 400 | 2004 | 2006 | F |
| | | A | KVF 400 PRAIRIE (2x4/4x4) | 400 | 1997 | 2002 | F |
| | | A | KFX 450 R | 450 | 2008 | | R |
| | | A | KSF 450 / KFX 450 | 450 | 2007 | | F |
| | KYMCO ATV | A | MXU 400 Parking brake | 400 | 2008 | 2009 | F |
| | SUZUKI | B | RM 65 | 65 | 2003 | | R |
| | SUZUKI ATV | A | LT 230 EH/EJ/EK/EL/EM/EN/EP | 230 | 1986 | 1993 | R |
| | | A | LT 230 S QUADSPORT | 230 | 1989 | | R |
| | | A | LT 250 R | 250 | 1985 | 1986 | R |
| | | A | LT 250 S | 250 | 1989 | 1990 | R |
| | | A | LT-Z 250 K QuadSport | 250 | 2004 | 2009 | F |
| | | A | LT-Z 400 QUADSPORT | 400 | 2003 | 2009 | F |
| | YAMAHA ATV | A | YFS 200 BLASTER | 200 | 2003 | 2006 | R |
| | | A | YFM 250 BEAR TRACKER | 250 | 2001 | 2004 | F |
| | | A | YFM 250 R Raptor (right) | 250 | 2008 | | R |
| | | A | YFM 250 RSPX Special Edition Custom (Left) | 250 | 2008 | | R |
| | | A | YFM 350 2x4 Grizzly | 350 | 2007 | 2010 | R |
| | | A | YFM 350 FX WOLVERINE | 350 | 1995 | 2007 | R |
| | | A | YFM 350 RAPTOR | 350 | 2004 | 2010 | F/R |
| | | A | YFM 350 XW-XS WARRIOR | 350 | 1989 | 2004 | R |
| | | A | YFZ 350 A/B/D/E/F BANSHEE | 350 | 1990 | 2006 | R |
| | | A | YFZ 350 T/U/W BANSHEE | 350 | 1987 | 1989 | R |
| | | A | YFZ 450 (left) | 450 | 2004 | 2005 | R |
| | | A | YFM 600 GRIZZLY (All) | 600 | 1998 | 2001 | F |
| | | A | YFM 660 Ducks Unlimited Ed.-side by side | 660 | 2006 | 2007 | F |
| | | A | YFM 660 GRIZZLY | 660 | 2002 | 2008 | F |
| | | A | YFM 660 RAPTOR | 660 | 2001 | 2005 | F/R |
| FDB382 | HONDA | B | CR 50 R | 50 | 1986 | | F |
| | | B | CR 80 RG | 80 | 1986 | | F |
| | | B | LEAD 100 | 100 | | | F |
| | | B | @ 125 NES | 125 | 2001 | | F |



CC FROM TO FRONT / REAR

...FDB382

| CC | FROM | TO | FRONT / REAR | |
|------------------|--------------------------|--------------------------|--------------|---|
| B | CR 125 RE | 125 1984 1985 | F | |
| B | CR 125 RG | 125 1986 | F | |
| B | MTX 125 R2F | 125 1985 1995 | F | |
| B | MTX 125 RF | 125 1985 1995 | F | |
| B | MTX 125 RWF | 125 1985 1995 | F | |
| B | XL 125 R | 125 1985 1986 | F | |
| B | XL 125 R PARIS DAKAR | 125 1984 | F | |
| B | MTX 200 RW | 200 1985 1986 | F | |
| B | CH 250 ELITE | 250 1985 1986 | F | |
| B | CH 250 SPACY | 250 1985 1986 | F | |
| B | CN 250 | 250 1988 1989 | F | |
| B | CN 250 ELITE | 250 1985 1986 | F | |
| B | CN 250 HELIX-FUSION | 250 1992 | F | |
| B | CR 250 | 250 1986 | F | |
| B | CR 250 RE | 250 1984 1985 | F | |
| B | FTR 250 | 250 1986 | F/R | |
| B | RX 250 RE | 250 1984 | F | |
| B | XLR 250 R | 250 1985 1988 | F | |
| B | XR 250 RE - RH | 250 1984 1987 | F | |
| B | XL 350 R | 350 1985 1986 | F | |
| B | XLX 350 | 350 1989 | F | |
| B | XR 350 RE - RD | 350 1984 | F | |
| B | CR 500 | 500 1986 | F | |
| B | CR 500 RE - G - H - J | 500 1984 1985 | F | |
| B | XR 500 R | 500 1983 1984 | F | |
| B | XR 500 R | 500 1984 | F | |
| B | XL 600 LD - PARIS DAKAR | 600 1983 1984 | F | |
| B | XL 600 R - RD - RE | 600 1983 1984 | F | |
| B | XR 600 R | 600 1985 1987 | F | |
| HONDA 3 WHEELERS | A ATC 250 R | 250 1985 1986 | F/R | |
| HONDA 3 WHEELERS | A ATC 350 X | 350 1985 2000 | F | |
| HONDA ATV | A TRX 250 R Fourtrax | 250 1986 1989 | R | |
| FDB383 | ADLY | B Fox 50 / SILVER FOX 50 | 50 2000 | F |
| BETA | B EURO / JONATHAN 350 | 350 2003 2006 | R | |
| CFMOTO | B CF 250 T - 5 Custom | 250 2011 2012 | R | |
| GILERA | B APACHE 125 | 125 1991 | R | |
| B | RC 125 TOP RALLY | 125 1989 | R | |
| B | RC 600 | 600 1989 1990 | R | |
| B | RC 600 | 600 1991 | R | |
| B | RC 600 NORD WEST | 600 1991 | R | |
| B | RC 600 R | 600 1991 | R | |
| B | RC 600 TOP RALLY | 600 1990 | R | |
| ITALJET | B MILLENIUM 100 | 100 2000 2001 | F | |
| B | MILLENIUM 125 | 125 2000 2001 | F | |
| B | MILLENIUM 150 | 150 2000 2001 | F | |
| LINHAI | B LH 50 Prince (Scooter) | 50 2007 | F | |
| B | Eggy 125 (Scooter) | 125 2007 | F | |
| MALAGUTI | B CENTRO 160 ie | 160 2008 | R | |
| MBK | B XC 125 FLAME | 125 1998 | F | |
| B | XC 125 FLAME R | 125 1998 | F | |
| SACHS | B ROADSTER 650 | 650 2001 | R | |
| YAMAHA | B 50 FLY ONE | 50 1992 1995 | F | |
| B | DT 50 R | 50 1993 1997 | F | |
| B | TDR 50 | 50 1990 | F/R | |
| B | TZM 50 R | 50 1994 | R | |
| B | TZR 50 | 50 1990 1996 | R | |
| B | DT 80 LC2 | 80 1993 | F | |
| B | TZR 80 | 80 1992 | R | |
| B | DT 125 LC / R | 125 1988 | R | |
| B | DT 125 R | 125 2000 2003 | F/R | |
| B | DT 125 RE | 125 1991 1993 | F/R | |
| B | DT 125 RE | 125 2004 | F | |
| B | TD 125 R | 125 1993 | F/R | |
| B | TDR 125 | 125 1993 1993 | R | |
| B | TZR 125 | 125 1993 | R | |
| B | XC 125 CYGNUS | 125 1996 1997 | F | |
| B | YBR 125 | 125 2005 2007 | F | |
| B | YZ 125 | 125 1988 | R | |
| B | 150 FLY ONE | 150 1992 | F | |
| B | TW 200 | 200 2001 2003 | F | |
| B | SEROW 225 XT | 225 1985 1992 | F | |
| B | SEROW 225 XT | 225 1993 1995 | F | |
| B | TT-R 225 | 225 1999 2002 | F | |
| B | YZ 250 | 250 1988 | R | |
| B | TT 350 | 350 1991 1995 | R | |
| B | XT 350 | 350 1992 1995 | F | |
| B | 400 ARTESIA | 400 1991 | R | |
| B | WR 500 B | 500 1991 1992 | R | |



CC FROM TO FRONT / REAR

FDB384

| CC | FROM | TO | FRONT / REAR | |
|-------------------|---|------------------|---------------|---|
| B | XT 600 E - K | 600 1991 1994 | R | |
| B | XT 600 E - K | 600 1995 2003 | R | |
| B | XT 600 Z TENERE | 600 1991 | R | |
| B | XTZ 660 TENERE | 660 1991 1998 | R | |
| YAMAHA 3 WHEELERS | A YTZ 250 N/S | 250 1985 1986 | F/R | |
| YAMAHA ATV | A YFM 350 XT/XU WARRIOR | 350 1987 1988 | F | |
| A | YFZ 350 T/U/W BANSHEE | 350 1987 1989 | F | |
| FDB384 | AJP | B PR4 Enduro 125 | 125 2010 2011 | R |
| B | PR4 Enduro Pro 125 | 125 2010 2011 | R | |
| B | PR4 Supermoto 125 | 125 2010 2011 | R | |
| B | PR4 Supermoto Pro 125 | 125 2010 2011 | R | |
| B | PR4 200 Supermoto | 200 2010 2011 | R | |
| B | PR4 200 Supermoto Pro | 200 2010 2011 | R | |
| B | PR4 Enduro 200 | 200 2010 2011 | R | |
| B | PR4 Enduro Pro 200 | 200 2010 2011 | R | |
| APRILIA | B RS4 50 (Rear AJP caliper) | 50 2011 | R | |
| B | RS4 125 4T (Rear AJP caliper) | 125 2011 | R | |
| B | RX 125 (AJP Calipers Front & Rear) | 125 2008 2012 | R | |
| DERBI | B GPR 50 | 50 2010 | R | |
| B | SENDA DRD Evo 50 | 50 2008 | R | |
| B | GPR 125 | 125 2010 | R | |
| B | MULHACEN CAFE' 125 | 125 2008 | R | |
| B | SENDA DRD 125 | 125 2010 | R | |
| B | TERRA 125 | 125 2007 2008 | R | |
| B | TERRA 125 ADVENTURE | 125 2010 2013 | R | |
| KEEWAY | B Speed 125/150 | 125 2007 2012 | R | |
| PEUGEOT | B NK7 (50cc) Naked | 50 2009 2012 | R | |
| B | XPS 50 SM | 50 2009 | F/R | |
| B | XPS 50 Top Road (17? F/Wheel) | 50 2010 2012 | F | |
| B | XPS 50 Track (21? F/Wheel) | 50 2011 2012 | F | |
| B | XR7 (50cc) Full Fairing | 50 2008 2012 | R | |
| RIEJU | B MRT 50 | 50 2008 | F/R | |
| B | MRT 50 PRO / SUPERMOTARD / Competizione | 50 2008 | R | |
| B | MRT 50 SUPERMOTARD | 50 2010 | F/R | |
| B | RS2 50 MATRIX / PRO 50 (JUJUAN) | 50 2007 2008 | R | |
| B | TANGO 50 Motard | 50 2009 | F | |
| B | MARATHON 125 / MOTARD | 125 2008 | F/R | |
| B | MARATHON 125 PRO / SUPERMOTARD | 125 2008 | R | |
| B | RS2 125 / PRO 125 (JUJUAN) | 125 2007 2008 | R | |
| SHERCO | B SU 50 (2T) Urban Base - Cast wheel model) | 50 2010 | F | |
| SUZUKI | B GN 125 | 125 1983 1993 | F | |
| B | GS 125 E - KATANA | 125 1990 1994 | F | |
| B | GS 125 ESD | 125 1983 1994 | F | |
| FDB386 | YAMAHA | B FZR 50 | 50 1990 1991 | R |
| B | TZR 80 | 80 2000 | F | |
| B | 125 BIKAN | 125 1991 | F | |
| B | RD 125 LC R | 125 1985 1987 | F | |
| B | TZR 125 | 125 1987 1989 | F | |
| B | TZR 125 | 125 1990 1992 | R | |
| B | SDR 200 | 200 1987 1989 | F/R | |
| B | FZR 250 | 250 1986 1988 | R | |
| B | FZR 250 R | 250 1989 | R | |
| B | FZX 250 ZEAL | 250 1991 | R | |
| B | R1 250 Z | 250 1997 | R | |
| B | RZR 250 | 250 1990 | F/R | |
| B | TDR 250 | 250 1988 1992 | R | |
| B | TZ 250 | 250 1985 | R | |
| B | TZR 250 | 250 1985 1989 | R | |
| B | TZR 250 R - SP | 250 1989 1992 | R | |
| B | RD 350 all models | 350 1985 1995 | F/R | |
| B | RD 350 all models | 350 1985 1995 | F/R | |
| B | FZ 400 | 400 1986 | R | |
| B | FZR 400 RR - SP | 400 1991 1992 | R | |
| B | SRX 400 | 400 1985 1986 | R | |
| B | SRX 400 | 400 1987 1989 | R | |
| B | XJ 400 DIVERSION - R | 400 1991 1994 | R | |
| B | RD 500 LC | 500 1984 1986 | R | |
| B | RD 500 YPVS LC | 500 1984 1987 | R | |
| B | 600 DIVERSION | 600 1992 1997 | R | |
| B | FZ 600 | 600 1987 1988 | R | |
| B | FZS 600 FAZER | 600 1999 2003 | R | |
| B | SRX 600 | 600 1985 1986 | F/R | |
| B | SRX 600 | 600 1987 1989 | R | |
| B | SRX 600 (Espana) | 600 1985 | F/R | |
| B | XJ 600 S | 600 1992 1997 | R | |
| B | XJ 600 S | 600 1998 2003 | R | |
| FDB389 | SUZUKI | B GSX-R 250 | 250 1987 1988 | F |
| B | GSX 400 X IMPULSE 400 | 400 1986 1988 | F | |

B = Bike
A = ATV
S = Snowmobile

B = Bike
A = ATV
S = Snowmobile



...FDB389

| | | | CC | FROM | TO | FRONT / REAR |
|---|-------------------------------|--|------|------|------|--------------|
| B | GSX-R 400 (III-IV) | | 400 | 2000 | | F |
| B | RG 400 GAMMA | | 400 | 1985 | | F |
| B | RG 500 RF GAMMA | | 500 | 1985 | 1987 | F |
| B | VS 600 GL INTRUDER | | 600 | 1997 | | F |
| B | VS 700 GL INTRUDER | | 700 | 1985 | | F |
| B | GSX 750 EF | | 750 | 1987 | | F |
| B | GSX 750 LIMITED EDITION | | 750 | 1986 | | F |
| B | GSX-R 750 LTD Special Edition | | 750 | 1987 | 1988 | F |
| B | GT 750 RF | | 750 | 1985 | 1986 | F |
| B | VS 750 INTRUDER (All Models) | | 750 | 1985 | 1991 | F |
| B | VS 800 GL-N-INTRUDER | | 800 | 1992 | 1999 | F |
| B | GSX 1100 E - EF - ES | | 1100 | 1984 | 1986 | F/R |
| B | GSX-R 1100 | | 1100 | 1985 | 1988 | F |
| B | GV 1400 | | 1400 | 1985 | 1986 | F |
| B | GV 1400 GD | | 1400 | 1985 | 1986 | F/R |
| B | VS 1400 INTRUDER GLP | | 1400 | 1987 | 1995 | F/R |
| B | VL 1500 | | 1500 | 1998 | 2001 | F/R |

FDB390

SUZUKI

| | | | | | | |
|---|-------------------|--|-----|------|------|---|
| B | GF 250 S | | 250 | 1986 | | F |
| B | RG 250 W GAMMA | | 250 | 1984 | 1987 | F |
| B | GSX 400 R I/II | | 400 | 1985 | 1986 | F |
| B | GSX-R 400 (JAPAN) | | 400 | 1985 | | R |

FDB404

MAICO

| | | | | | | |
|---|-------------------|--|-----|------|------|-----|
| B | 250 CROSS | | 250 | 1986 | | F/R |
| B | 250 ENDURO | | 250 | 1986 | | F/R |
| B | GP 250 | | 250 | 1987 | | F/R |
| B | GP 400 | | 400 | 1987 | | F/R |
| B | 500 CROSS | | 500 | 1986 | | F/R |
| B | 500 ENDURO | | 500 | 1986 | | F/R |
| B | GP 500 | | 500 | 1987 | | F/R |
| B | GPE 500 | | 500 | 1987 | | F/R |
| B | GZ 125 MARAUDER | | 125 | 2000 | | F |
| B | RM 125 F - G | | 125 | 1985 | 1986 | F |
| B | VL 125 INTRUDER | | 125 | 2000 | | F |
| B | AN 150 | | 150 | 1997 | 2000 | F |
| B | GZ 250 MARAUDER | | 250 | 2000 | | F |
| B | RM 250 F - IG - G | | 250 | 1985 | 1986 | F |
| B | TU 250 X | | 250 | 1997 | 2000 | F |
| B | VL 250 INTRUDER | | 250 | 2000 | 2001 | F |
| B | VOLTY 250 | | 250 | 1995 | 2000 | F |
| B | RM 500 F | | 500 | 1985 | 1986 | F |
| B | LS 650 SAVAGE | | 650 | 1987 | 1999 | F |

FDB411

YAMAHA

| | | | | | | |
|---|----------|--|-----|------|------|---|
| B | YZ 125 | | 125 | 1985 | 1987 | F |
| B | YZ 125 | | 125 | 1988 | | F |
| B | TT 250 S | | 250 | 1987 | 1992 | F |
| B | YZ 250 | | 250 | 1985 | 1987 | F |
| B | YZ 250 | | 250 | 1988 | | F |
| B | TT 350 | | 350 | 1986 | 1990 | F |
| B | TT 350 | | 350 | 1991 | 1995 | F |
| B | YZ 490 | | 490 | 1985 | 1987 | F |
| B | TT 600 N | | 600 | 1985 | 2000 | F |

FDB436

BENELLI

| | | | | | | |
|---|------------------------------------|--|-----|------|------|-----|
| B | DEVIL 50 | | 50 | 1992 | | R |
| B | MASTER 4 50 | | 50 | 1995 | | F |
| B | SPRING 50 | | 50 | 1992 | | R |
| B | DEVIL 80 | | 80 | 1995 | | R |
| B | ALP 50 | | 50 | 1991 | | F |
| B | FOUR 50 AE | | 50 | 1987 | | F |
| B | FOUR 50 S | | 50 | 1987 | | F |
| B | FOUR TWIN 50 | | 50 | 1988 | | F |
| B | TR 32 125 | | 125 | 1986 | | F |
| B | TR 33 125 | | 125 | 1987 | | F |
| B | TR 34 125 | | 125 | 1988 | | F |
| B | ALP 240 | | 240 | 1991 | 1995 | F |
| B | TR 33 240 | | 240 | 1986 | 1988 | F |
| B | TR 33 TREKKING 240 | | 240 | 1988 | | F |
| B | TR 34 250 | | 250 | 1986 | 1988 | F |
| B | TR 34 250 (SPAIN) | | 250 | 1989 | | F/R |
| B | TR 34 250 PROFESSIONAL | | 250 | 1989 | | F |
| B | ALP 260 | | 260 | 1990 | | F |
| B | TR 34 260 | | 260 | 1987 | 1988 | F |
| B | TR 35 260 | | 260 | 1989 | 1991 | F |
| B | Gringo 50 | | 50 | 1985 | | F |
| B | TRIAL 50 .1 (FM.268) | | 50 | 1986 | | F |
| B | TRIAL 50 .1 H2O | | 50 | 1987 | | F |
| B | TRIAL 125 .1 Progress 1 | | 125 | 1986 | 1986 | F |
| B | TRIAL 125 .1 Progress 2 | | 125 | 1986 | | F |
| B | TRIAL 125 .3 PROFESSIONAL (FM 361) | | 125 | 1987 | | F/R |
| B | TRIAL 200 Progress 1 | | 200 | 1986 | | F |
| B | TRIAL 201 Progress2 | | 201 | 1986 | | F |
| B | TRIAL 240 (FM 363) | | 240 | 1987 | | F/R |



CC FROM TO FRONT / REAR

| | | | | | | |
|---|---------------------------------|-----------|-----|------|------|-----|
| B | TRIAL 241 PROFESSIONAL | | 241 | 1986 | | F |
| B | TRIAL 301 Progress 1 (FM. 266) | | 301 | 1985 | | F |
| B | TRIAL 301 Progress 2 | | 301 | 1986 | | F |
| B | TRIAL 303 (FM 364) | | 303 | 1987 | | F/R |
| B | TIGER 50 XLE | GARELLI | 50 | 1986 | | R |
| B | HALLEY 325 PCX | GASGAS | 325 | 1987 | | F/R |
| B | 503 50 | GILERA | 50 | 1991 | | F/R |
| B | BULLIT 50 | | 50 | 1990 | | F |
| B | CR1 50 CROSSER | MALAGUTI | 50 | 1995 | | F |
| B | DUNE 50 ENDURO | | 50 | 1987 | | F/R |
| B | F 12 50 PHANTOM (liquid cooled) | | 50 | 1995 | 1997 | F |
| B | F 15 50 FIREFOX | | 50 | 1996 | 1997 | F |
| B | FIFTY 50 FULL (all models) | | 50 | 1983 | | F |
| B | FIFTY 50 TOP | | 50 | 1985 | | F |
| B | Mopeds 50 (all models) | | 50 | 2000 | | F |
| B | MR4 50 ENDURO | | 50 | 1987 | | F/R |
| B | RCX-W 50 ENDURO | | 50 | 1983 | | F |
| B | RGT 50 SPORT | | 50 | 1985 | | F |
| B | RGT 50 STRADA | | 50 | 1983 | | F |
| B | RST 50 SPORT tutti i tipi | | 50 | 1987 | | F/R |
| B | SAHIB 50 ENDURO | | 50 | 1983 | | F |
| B | MKS 50 | MONTESA | 50 | 1987 | | F |
| B | COTA 304 | | 304 | 1987 | | F |
| B | N 50 AT BT | TOMOS | 50 | 1991 | 2000 | F |
| B | CR 80 | TRE SOLDI | 80 | 1985 | | R |
| B | KS 80 TOURING K | ZUNDAPP | 80 | 1982 | | F |
| B | KS 80 TOURING L | | 80 | 1982 | | F |

FDB437

SUZUKI

| | | | | | | |
|---|----------------|--|-----|------|------|---|
| B | RG 80 GAMMA | | 80 | 1988 | 1993 | F |
| B | RG 125 W GAMMA | | 125 | 1985 | 1991 | F |

FDB438

APRILIA

| | | | | | | |
|---|----------------------------------|---------|-----|------|------|---|
| B | TUAREG 50 HPC SYSTEM | | 50 | 1987 | | F |
| B | ETX 125 | | 125 | 1986 | 1997 | F |
| B | RED ROSE 125 | | 125 | 1989 | 1989 | F |
| B | RX 125 | | 125 | 1986 | | F |
| B | SCARABEO 125 | | 125 | 1998 | 2006 | F |
| B | SPORTCITY 125 ie | | 125 | 2004 | | F |
| B | TREND GO WEST 125 | | 125 | 1987 | | F |
| B | TUAREG 125 | | 125 | 1986 | | F |
| B | TUAREG 125 | | 125 | 1987 | | F |
| B | TUAREG 125 RALLY | | 125 | 1986 | | F |
| B | TUAREG 125 RALLY (Mozzi Rimoldi) | | 125 | 1986 | | F |
| B | SCARABEO 150 | | 150 | 1998 | | F |
| B | SCARABEO 200 | | 200 | 2001 | 2007 | F |
| B | SPORTCITY 200 | | 200 | 2004 | | F |
| B | LEONARDO 250 | | 250 | 1999 | | F |
| B | SPORTCITY 250 ie | | 250 | 2007 | | F |
| B | TUAREG 250 RALLY | | 250 | 1986 | | F |
| B | TUAREG 250 RALLY (Mozzi Rimoldi) | | 250 | 1986 | | F |
| B | LEONARDO 300 | | 300 | 2004 | | F |
| B | SPORTCITY 300 / Cube Black line | | 300 | 2008 | | F |
| B | ETX 350 | | 350 | 1986 | | F |
| B | ETX 350 AE | | 350 | 1987 | | F |
| B | TUAREG 350 | | 350 | 1987 | | F |
| B | TUAREG 350 WIND | | 350 | 1987 | 1988 | F |
| B | SCARABEO 400 ie | | 400 | 2007 | | F |
| B | ATLANTIC (ARECIFE) 500 (left) | | 500 | 2001 | | F |
| B | SCARABEO 500 | | 500 | 2008 | | F |
| B | SCARABEO 500 Class | | 500 | 2010 | | F |
| B | ETX 600 | | 600 | 1986 | | F |
| B | BLUES 50 | CAGIVA | 50 | 1989 | | F |
| B | MITO 50 | | 50 | 1998 | | F |
| B | BLUES 125 | | 125 | 1988 | 1992 | F |
| B | BLUES 125 | | 125 | 1993 | | F |
| B | ROADSTER 125 | | 125 | 1994 | | F |
| B | ROADSTER 200 | | 200 | 1996 | | F |
| B | ALA AZZURRA 650 GT | | 650 | 1987 | | F |
| B | RAIDER 250 (FM. 259) | FANTIC | 250 | 1985 | | F |
| B | TIGER 125 XLE | GARELLI | 125 | 1986 | 1986 | F |
| B | EC ROOKIE 50 | GASGAS | 50 | 2001 | | F |
| B | CROSS 125 | | 125 | 1994 | | R |
| B | TT 125 ENDURCROSS | | 125 | 1993 | | R |
| B | ARIZONA HAWK 125 | GILERA | 125 | 1986 | | F |
| B | CMM APTS 125 | | 125 | 1987 | | F |
| B | ER 125 | | 125 | 1987 | | F |
| B | FAST BIKE 125 | | 125 | 1987 | | F |
| B | KK 125 APTS | | 125 | 1987 | | F |
| B | KZ 125 | | 125 | 1986 | | F |
| B | KZ 125 ENDURANCE | | 125 | 1988 | | F |
| B | R1 125 S | | 125 | 1988 | | F |



CC FROM TO FRONT / REAR

| Code | Brand | Model | CC | FROM | TO | FRONT / REAR |
|-----------|-----------------|-------------------------------------|------|------|------|--------------|
| ...FDB438 | | B RC 125 RALLY | 125 | 1987 | | F |
| | | B RRT 125 NEBRASKA | 125 | 1987 | | F |
| | | B RRT 125 NEBRASKA (tubeless tires) | 125 | 1987 | 2000 | F |
| | | B RRT 125 NEBRASKA (tubeless tires) | 125 | 1987 | 2000 | F |
| | | B RTX 125 | 125 | | | F |
| | | B RV 125 ES | 125 | 1987 | | F |
| | | B XR1 125 | 125 | 1988 | | F |
| | | B XR2 125 | 125 | 1989 | | F |
| | | B ARIZONA HAWK 200 | 200 | 1986 | | F |
| | | B ER 200 | 200 | 1987 | | F |
| | | B FAST BIKE 200 | 200 | 1987 | | F |
| | | B RTX 200 | 200 | 1986 | | F |
| | | B RV 200 ES | 200 | 1987 | | F |
| | | B RC 250 RALLY | 250 | 1987 | | F |
| | | B DAKOTA 350 | 350 | 1986 | | F |
| | | B ER 350 | 350 | 1987 | | F |
| | | B XRT 350 | 350 | 1990 | | F |
| | | B DAKOTA 500 | 500 | 1987 | | F |
| | | B ER 500 | 500 | 1987 | | F |
| | | B XRT 600 | 600 | 1988 | | F |
| | HONDA | B CLR 125 CITY FLY | 125 | 2000 | | F |
| | | B CRM 125 (Italy) | 125 | 1990 | 1999 | F |
| | | B MTX 125 R | 125 | 1987 | 1988 | F |
| | | B MTX 125 RII | 125 | 1989 | | F |
| | | B NS 125 F all models | 125 | 1985 | 1990 | F |
| | | B NSR 125 | 125 | 1988 | 1989 | F |
| | | B NSR 125 R - F | 125 | 1989 | 1992 | F |
| | | B NSR 125 RAIDEN | 125 | 1990 | | F |
| | | B NX 125 (ITALY) | 125 | 1990 | | F |
| | | B XL 125 L PARIS DAKAR | 125 | 1989 | | F |
| | | B XL 125 PARIS DAKAR | 125 | 1989 | | F |
| | | B XL 125 R | 125 | 1987 | 1988 | F |
| | | B MTX 200 R | 200 | 1987 | | F |
| | | B XL 200 R | 200 | 1985 | | F |
| | HONDA-HM ITALIA | B DT 125 | 125 | 1987 | | F |
| | | B MTX 125 R | 125 | 1986 | | F |
| | | B MTX 125 RALLY SPORT | 125 | 1988 | | F |
| | | B NS 125 F | 125 | 1985 | | F |
| | | B NS 125 R SUPER SPORT | 125 | 1987 | | F |
| | | B NSR 125 R | 125 | 1989 | | F |
| | | B XL 125 L PARIS DAKAR | 125 | 1985 | | F |
| | | B XL 125 R2 | 125 | 1987 | | F |
| | | B XL 200 L | 200 | 1985 | | F |
| | | B XL 200 L PARIS DAKAR | 200 | 1987 | | F |
| | | B XL 200 R2 | 200 | 1987 | | F |
| | MALAGUTI | B SPIDER MAX RS 500/ GT | 500 | 2004 | | F |
| | MOTO MORINI | B CAMEL 501 | 50 | 1987 | | F |
| | | B EXCALIBUR 501 | 50 | 1986 | 1986 | F |
| | | B EXCALIBUR 501 | 50 | 1987 | 1988 | F |
| | | B BLUES 125 | 125 | 1993 | | F |
| | | B EXCALIBUR 350 | 350 | 1986 | 1989 | F |
| | | B KANGURO 350 | 350 | 1987 | | F |
| | MOTORHISPANIA | B RX 50 RACING | 50 | 2000 | | F |
| | PUCH | B 125 | 125 | 1987 | | F |
| | YAMAHA | B DT 125 (Italia) | 125 | 1986 | 1987 | F |
| | | B DT 125 TENERE (Italia) | 125 | 1987 | | F |
| FDB449 | YAMAHA | B FZR 250 | 250 | 1986 | 1988 | F |
| | | B R1 250 Z | 250 | 1997 | | F |
| | | B TDR 250 | 250 | 1988 | 1992 | F |
| | | B TZ 250 | 250 | 1985 | | F |
| | | B TZ 250 COMPETITION | 250 | 1988 | | F |
| | | B TZR 250 | 250 | 1985 | 1989 | F |
| | | B FZR 400 R | 400 | 1987 | 1990 | F |
| | | B SRX 400 | 400 | 1987 | 1989 | F |
| | | B SRX 600 | 600 | 1987 | 1989 | F |
| | | B TDM 850 | 850 | 1991 | 1995 | F |
| | | B TRX 850 | 850 | 1995 | 1999 | F |
| | | B FZR 1000 GENESIS - EX-UP | 1000 | 1986 | 1988 | F |
| | | B FJ 1200 W - WC | 1200 | 1989 | 1991 | F |
| | | B XVZ 1300 AHATH ROYAL STAR | 1300 | 1996 | 2001 | R |
| | | B XVZ 1300 TF VENTURE STAR | 1300 | 1999 | 2001 | R |
| | | B XV 1600 A WILD STAR | 1600 | 1999 | | R |
| FDB452 | HONDA | B RS 125 R | 125 | 1988 | | F |
| | | B CB 250 | 250 | 1988 | 1991 | F |
| | | B VTZ 250 | 250 | 1988 | | F |
| | | B TRANSALP 400 | 400 | 1992 | | F |
| | | B NX 650 DOMINATOR | 650 | 1993 | 1994 | F |
| | | B VFR 700 F/F2 INTERCEPTOR | 700 | 1986 | 1987 | F |



CC FROM TO FRONT / REAR

| Code | Brand | Model | CC | FROM | TO | FRONT / REAR |
|--------|-----------------|--------------------------------|------|------|------|--------------|
| | | B CBR 1000 F | 1000 | 1987 | 1988 | F |
| | | B CBR 1000 R HURRICANE | 1000 | 1987 | 1988 | F |
| FDB462 | HONDA | B CBR 250 F | 250 | 2004 | | F |
| | | B CBR 250 R HURRICANE | 250 | 1986 | 1988 | F |
| | | B NSR 250 | 250 | 1986 | | F |
| | | B NSR 250 R | 250 | 1986 | 1987 | F |
| | | B VT 250 F INTEGRA | 250 | 1987 | | F |
| | | B CB 350 SG | 350 | 1986 | | F |
| | | B CBR 400 R HURRICANE | 400 | 1986 | | F |
| | | B VFR 400 R | 400 | 1986 | 1987 | F |
| | | B VFR 400 R | 400 | 1987 | 1989 | F |
| | | B CBX 450 S | 450 | 1987 | | F |
| | | B CBR 500 | 500 | 1987 | 1990 | F |
| | | B CBR 600 F/R HURRICANE | 600 | 1987 | 1990 | F |
| | | B XR7 750 R AFRICA TWIN | 750 | 1990 | 1993 | F |
| FDB475 | HONDA-HM ITALIA | B CRE 50 (up to frame nr.1000) | 50 | | | R |
| | YAMAHA | B YSR 50 | 50 | 1986 | 1987 | F |
| | | B YSR 60 | 60 | 1986 | 1987 | F |
| | | B DT 80 LC - LC II - N | 80 | 1985 | | F |
| | | B TDR 80 | 80 | 1989 | | F/R |
| | | B YSR 80 | 80 | 1986 | | F |
| | | B DT 125 LC - R | 125 | 1985 | 1986 | F |
| | | B DT 125 LC / R | 125 | 1988 | | F |
| | | B TDR 125 R | 125 | 1993 | 2003 | R |
| | | B XC 125 TR CYGNUS R | 125 | 1998 | 2003 | F |
| | | B RT 180 G | 180 | 1995 | 2000 | F |
| | | B DT 200 R | 200 | 1988 | 1991 | F/R |
| | | B XT 350 4 VALVES | 350 | 1986 | 1987 | F |
| | | B TT 600 | 600 | 1987 | 1992 | F |
| | | B XT 600 4 VALVES | 600 | 1987 | 1989 | R |
| | | B XT 600 Z TENERE | 600 | 1988 | 1990 | R |
| FDB481 | KAWASAKI | B EX 250 H1 - H2 | 250 | 1990 | | F |
| | | B GPX 250 R NINJA | 250 | 1987 | 1995 | F |
| | | B KDX 250 BALIUS | 250 | 1991 | 1993 | F |
| | | B KLE 250 ANHELO | 250 | 1993 | 1999 | F |
| | | B KLE 250 ANHELO | 250 | 2000 | 2002 | F |
| | | B KR-1 250 | 250 | 1988 | | F |
| | | B ZZR 250 (EX 250 H) | 250 | 1990 | 1993 | F |
| | | B EX 4 400 | 400 | 1995 | | F |
| | | B GPX 400 R | 400 | 1987 | | R |
| | | B GPZ 400 R | 400 | 1990 | | R |
| | | B KLE 400 | 400 | 1991 | | F |
| | | B ZL 400 ELIMINATOR | 400 | 1993 | | F |
| | | B ZR 400 ZEPHYR | 400 | 1993 | 1995 | F |
| | | B ZR 400 ZEPHYR (ZR-C) | 400 | 1989 | 1992 | F |
| | | B ZXR 400 | 400 | 1994 | | F |
| | | B ZZR 400 | 400 | 1990 | 1992 | R |
| | | B ER-5 500 (ER) | 500 | 1997 | 2000 | F |
| | | B EX 500 all models | 500 | 1987 | 1991 | F |
| | | B GPZ 500 S | 500 | 1993 | | R |
| | | B GPZ 500 S | 500 | 1994 | 1997 | F |
| | | B KLE 500 | 500 | 1991 | | F |
| | | B ZZ-R 500 | 500 | 1990 | | R |
| | | B ZEPHYR 550 | 550 | 1991 | | F |
| | | B ZR 550 ZEPHYR | 550 | 1990 | 1992 | F |
| | | B ZR 550 ZEPHYR | 550 | 1993 | 1999 | F |
| | | B GPX 600 R (ZX) | 600 | 1988 | 1996 | F/R |
| | | B GPX 600 R WARBIRD | 600 | 1988 | 1996 | F/R |
| | | B KLE 600 | 600 | 1992 | | F |
| | | B ZL 600 B1 ELIMINATOR | 600 | 1995 | 1997 | F |
| | | B ZX 6R 600 D1-D2 (DX 6) | 600 | 1990 | 1993 | R |
| | | B ZZR 600 | 600 | 1990 | 1992 | R |
| | | B KL 650 TENGAI | 650 | 1989 | 1992 | F |
| | | B GPX 750 BLACKBIRD | 750 | 1988 | 1989 | F/R |
| | | B GPX 750 WARBIRD | 750 | 1988 | 1989 | F/R |
| | | B GPZ 750 R - G2-3 | 750 | 1987 | | F/R |
| | | B ZR 750 | 750 | 1991 | 1995 | F/R |
| | | B ZR 750 ZEPHYR | 750 | 1991 | 1993 | F |
| | | B ZR 750 ZEPHYR | 750 | 1996 | | R |
| | | B ZX 750 F2 NINJA | 750 | 1988 | | F/R |
| | | B GPZ 900 R | 900 | 1990 | 1996 | R |
| | | B GPX 1000 R | 1000 | 1988 | 1990 | F/R |
| | | B Z 1000 GTR | 1000 | 1994 | 2003 | F |
| | | B ZX 1000 ELIMINATOR | 1000 | 1988 | 1990 | F/R |
| | | B ZX 1000 RX NINJA - TOMCAT | 1000 | 1988 | 1990 | F/R |
| | | B ZX10 1000 TOMCAT B1-3 | 1000 | 1988 | 1990 | F/R |
| | | B ZZR 1000 | 1000 | 1991 | | R |
| | | B ZR 1100 ZEPHIR | 1100 | 1997 | 2000 | R |

B = Bike
A = ATV
S = Snowmobile

B = Bike
A = ATV
S = Snowmobile



CC FROM TO FRONT / REAR

| Code | Brand | Model | CC | FROM | TO | FRONT / REAR | | |
|-----------------------------|---|--|----------------------|-----------------------|------|--------------|------|-----|
| ...FDB481 | SUZUKI | B ZR 1100 ZEPHYR (left) | 1100 | 1996 | 1997 | R | | |
| | | B ZR 1100 ZEPHYR (ZR 1100 A) | 1100 | 1992 | 1996 | R | | |
| | | B ZX 1100 | 1100 | 1993 | | R | | |
| | | B ZZR 1100 GT (ZX 1100 C) | 1100 | 1990 | 1992 | R | | |
| | | B ZRX 1200 R - S | 1200 | 2000 | | F | | |
| | | B RG 125 U WOLF | 125 | 1992 | 1994 | F | | |
| | | B RG 200 WOLF | 200 | 1993 | 1994 | F | | |
| | | B 250 BANDIT | 250 | 1990 | | F | | |
| | | B ACROSS 250 | 250 | 1990 | | F | | |
| | | B GSF 250 BANDIT | 250 | 1990 | | F | | |
| | | B GSX 250 S KATANA | 250 | 1991 | | F | | |
| | | B SW1 250 | 250 | 1992 | | F | | |
| | | B GSF 400 BANDIT | 400 | 1991 | 1992 | F | | |
| | | B GS 500 E - K - L - M | 500 | 1989 | 1993 | F | | |
| | | B DR 800 BIG all models | 800 | 1991 | | F | | |
| | | B VX 800 | 800 | 1990 | 1994 | F | | |
| | | B GSX 1100 G | 1100 | 1993 | 1996 | F | | |
| | | B GSX 1100 GM | 1100 | 1991 | 1992 | F | | |
| FDB485 | HARLEY DAVIDSON | B FLHR Road King® (all models) | 1340 | 1994 | 1999 | R | | |
| | | B FLHS Electra Glide® Sport | 1340 | 1993 | | R | | |
| | | B FLHT Electra Glide® (all models) | 1340 | 1986 | 1999 | R | | |
| | | B FLT Tour Glide® (all models) | 1340 | 1986 | 1999 | R | | |
| | | B FLTR Road Glide® (all models) | 1340 | 1998 | 1999 | R | | |
| | | B CB 100 N | 100 | 1978 | | F | | |
| FDB485 | HONDA | B CB 125 J | 125 | 1979 | | F | | |
| | | B CB 125 T | 125 | 1978 | | F | | |
| | | B CB 125 T2 - TA - TB | 125 | 1979 | | F | | |
| | | FDB494 | KAWASAKI | B KX 60 B9 | 60 | 1993 | 2004 | F |
| | | | | B KX 125 E2 - D1 - E2 | 125 | 1987 | 1988 | F |
| | | | | B KX 250 E1 - F1 | 250 | 1987 | 1988 | F |
| B KX 500 C1 | 500 | | | 1987 | 1988 | F | | |
| B KLR 650 | 650 | | | 1987 | 1994 | F | | |
| FDB495 | HONDA | B CRM 75 | 75 | 1990 | 1994 | F | | |
| | | B CRM 75 R | 75 | 1990 | 1994 | F | | |
| | | B CR 125 RH - J - K - L | 125 | 1987 | 1994 | F | | |
| | | B CRM 125 | 125 | 1990 | 1999 | F | | |
| | | B NX 125 TRANSCITY | 125 | 1989 | 1997 | F | | |
| | | B AX 1 250 | 250 | 1988 | | F | | |
| | | B CR 250 R | 250 | 1987 | 1994 | F | | |
| | | B CRM 250 R | 250 | 1989 | 1990 | F | | |
| | | B NX 250 | 250 | 1988 | 1990 | F | | |
| | | B NX 250 DOMINATOR | 250 | 1988 | 1990 | F | | |
| | | B XL 250 | 250 | 1990 | | F | | |
| | | B XL 250 | 250 | 1991 | | F | | |
| | | B XLR 250 R BAJA | 250 | 1988 | 1990 | F | | |
| | | B XR 250 R | 250 | 1988 | 1993 | F | | |
| | | B CRE 260 | 260 | 1990 | | F | | |
| | | B CR 500 R | 500 | 1987 | 1992 | F | | |
| | | B XR 600 R | 600 | 1988 | 1990 | F | | |
| | | B XR 600 R | 600 | 1991 | 1993 | F | | |
| | | B XR 650 L | 650 | 1993 | 1995 | F | | |
| | | HONDA 3 WHEELERS | A ATC 350 X | 350 | 1986 | 2000 | F | |
| | | HONDA ATV | A TRX 250 R Fourtrax | 250 | 1986 | 1989 | F | |
| | | FDB496 | HONDA | B NSR 250 R SE-SP | 250 | 1994 | | R |
| | | | | B RVF 400 | 400 | 1994 | | R |
| | | | | B VTR 400 R (NC 30) | 400 | 1989 | 1991 | R |
| B NR 750 | 750 | | | 1992 | | R | | |
| B RVF 750 RR (RC 45) | 750 | | | 1994 | | R | | |
| B VFR 750 R (RC-30) | 750 | | | 1988 | 1993 | R | | |
| B ZXR 750 R STINGER / NINJA | 750 | | | 1991 | 1992 | R | | |
| FDB497 | ATK (USA) BENELLI CAGIVA CFMOTO DERBI | | | B all models 1994-95 | | 1994 | 1995 | F/R |
| | | | | B Caffè Nero 125 | 125 | 2011 | 2012 | F/R |
| | | | | B Macis 125 | 125 | 2010 | 2012 | F/R |
| | | B Caffè Nero 150 | 150 | 2011 | 2012 | F/R | | |
| | | B Macis 150 | 150 | 2010 | 2012 | F/R | | |
| | | B CAFFENERO 250 (right) | 250 | 2008 | 2011 | F | | |
| | | B WR 125 | 125 | 1993 | | F | | |
| | | B CANYON 500 | 500 | 1995 | | F | | |
| | | B CF 125 T-21A E-Charm | 125 | 2010 | 2012 | F | | |
| | | B CF 125 T-22 Glory | 125 | 2010 | 2011 | F | | |
| | | B CF 150 T-5i E-Charm | 150 | 2010 | 2012 | F | | |
| | | B CF 150 T-6A Glory | 150 | 2010 | 2011 | F | | |
| | | A CF 500(Terracross) Right | 500 | 2011 | 2012 | F | | |
| | | A CF 500-3 (Rancher 500 Side x Side) Right | 500 | 2010 | 2012 | F | | |
| | | A CF 625-3 (Z6 Terracross) Right | 625 | 2011 | 2012 | F | | |
| | | B RUNNER 50 2T Blacksoul | 50 | 2011 | | F | | |
| | | B SENDA DRD Racing 50 | 50 | 2011 | | F | | |
| | | B FUOCO 500 ie | 500 | 2011 | | F | | |



CC FROM TO FRONT / REAR

| Code | Brand | Model | CC | FROM | TO | FRONT / REAR | | | | |
|---|----------|---|-----------|-----------------------|---------------------|--------------------------------|------|------|------|-----|
| FDB497 | HONDA | B CRE 50 Baja | 50 | 2011 | | F | | | | |
| | | B CRM 50 Derapage | 50 | 2011 | | F | | | | |
| | | B CA 125 REBEL | 125 | 1995 | 1997 | F | | | | |
| | | B CBF 125 | 125 | 2001 | | F | | | | |
| | | B CRE Baja HM 125 4T | 125 | 2011 | | F | | | | |
| | | B CRM 125 Derapage HM 125 4T | 125 | 2011 | | F | | | | |
| | | B NSR 150 | 150 | 2001 | 2003 | R | | | | |
| | | B CMX 250 C REBEL | 250 | 1996 | 2000 | F | | | | |
| | | FDB497 | HUSQVARNA | B 125 ALL MODELS 1992 | 125 | 1992 | | F | | |
| | | | | B 125 ALL MODELS 1993 | 125 | 1993 | | F | | |
| | | | | B 250 ALL MODELS 1992 | 250 | 1992 | | F | | |
| | | | | B 250 ALL MODELS 1993 | 250 | 1993 | | F | | |
| | | | | B TC 610 CROSS | 610 | 1991 | | F | | |
| | | | | B TE 610 | 610 | 1991 | | F | | |
| | | FDB497 | HYOSUNG | B MS3 125 | 125 | 2006 | | F | | |
| | | | | B MS3 250 | 250 | 2006 | | F | | |
| | | FDB497 | KAWASAKI | B D-TRACKER 125 | 125 | 2010 | | F | | |
| | | | | B KLX 125 | 125 | 2010 | | F | | |
| FDB497 | KAWASAKI | B KX 125 | 125 | 1989 | 1994 | F | | | | |
| | | B KDX 200 SR | 200 | 1990 | 1993 | F | | | | |
| | | B KDX 250 SR-D | 250 | 1991 | 1993 | F | | | | |
| | | B KLX 250 | 250 | 1993 | | F | | | | |
| | | B KLX 250 | 250 | 2008 | | F | | | | |
| | | B KX 250 | 250 | 1989 | 1994 | F | | | | |
| | | B KR 500 ES | 500 | 1993 | | F | | | | |
| | | B KX 500 | 500 | 1989 | 1994 | F | | | | |
| | | B KLR 650 | 650 | 2008 | 0000 | F | | | | |
| | | B KLF 300 BAYOU 4x4 C Series (left) | 300 | 1989 | 2004 | F | | | | |
| FDB497 | KAWASAKI | A KLF 400 BAYOU 4x4 B Series (left) | 400 | 1993 | 1999 | F | | | | |
| | | A KVF 650 Brute Force 4X4i All models (Left) | 650 | 2007 | 2008 | F | | | | |
| | | A KRF 750 Tenyx 4x4 All mod.(Left)-side by side | 750 | 2008 | | F | | | | |
| | | A KVF 750 BRUTE FORCE All Models (left) | 750 | 2005 | 2010 | F | | | | |
| | | FDB497 | KEEWAY | Outlook 125/150 | 125 | 2007 | 2010 | F/R | | |
| | | | | B Superlight 125 | 125 | 2007 | 2012 | F | | |
| | | | | B Superlight 150 | 150 | 2007 | 2012 | F | | |
| | | | | B Cruiser 250 | 250 | 2009 | 2010 | F | | |
| | | | | FDB497 | KSR MOTO BY GENERIC | Inox 125 (4T) | 125 | 2012 | | F |
| | | | | | | Zion 125/150 (Rear Disc Model) | 125 | 2011 | 2012 | F |
| Zion 125/150 (Rear Drum Model) | 125 | 2008 | 2010 | | | F | | | | |
| FDB497 | KYMCO | B AGILITY 50 | 50 | | | 2004 | 2008 | F | | |
| | | B AGILITY 50 - R10 / R12 | 50 | 2006 | 2008 | F | | | | |
| | | B AGILITY RS Naked 50 2T | 50 | 2010 | | F | | | | |
| | | B FILLY LX 50 | 50 | 2000 | | F | | | | |
| | | B VITALITY 50 (2T & 4T) | 50 | 2004 | 2006 | F | | | | |
| | | B YUP 50 | 50 | 2001 | 2006 | F | | | | |
| | | B COBRA 100 RACER | 100 | 1999 | 2003 | F | | | | |
| | | B AGILITY 125 | 125 | 2006 | 2008 | F | | | | |
| | | B AGILITY 125 R12 4T | 125 | 2006 | 2012 | F | | | | |
| | | B AGILITY RS 125 R12 (4T) | 125 | 2010 | | F | | | | |
| FDB497 | KYMCO | B MOVIE 125 | 125 | 1998 | 2000 | F | | | | |
| | | B STRYKER 125 | 125 | 2001 | 2006 | F | | | | |
| | | B VIVIO 125 | 125 | 2000 | 2003 | F | | | | |
| | | B STRYKER 150 (Off-Road) | 150 | 2000 | 2006 | F | | | | |
| | | FDB497 | MALAGUTI | B LIKE 200 i | 200 | 2010 | | F | | |
| | | | | B BLOG 125 | 125 | 2008 | | F | | |
| | | | | B CENTRO 125 ie | 125 | 2007 | | F | | |
| | | | | B BLOG 160 | 160 | 2008 | | F | | |
| | | | | B CENTRO 160 ie | 160 | 2008 | | F | | |
| | | | | FDB497 | PEUGEOT | e - Satelis | | 2011 | | F/R |
| e - Vivacity (Electric) | | | | | | 2011 | 2012 | F | | |
| City Star 125 i | 125 | | | | | 2011 | 2012 | F | | |
| Geo RS 125 (Nissin Calipers) | 125 | | | | | 2007 | 2012 | F/R | | |
| Geopolis 125 Premium (Nissin Caliper/Non ABS) | 125 | | | | | 2007 | 2012 | F/R | | |
| Satelis 125 Avenue (Nissin Calipers) | 125 | 2008 | 2009 | | | F/R | | | | |
| Vivacity 125 (4T) | 125 | 2010 | 2012 | | | F | | | | |
| Vivacity Sixties 125 (4T) | 125 | 2011 | 2012 | | | F | | | | |
| City Star 200 i | 200 | 2012 | | | | F | | | | |
| Geo 250 (Nissin Caliper) | 250 | 2007 | 2011 | | | F/R | | | | |
| FDB497 | PEUGEOT | Geopolis 250 Premium (Nissin caliper/ Non ABS) | 250 | 2007 | 2011 | F/R | | | | |
| | | Satelis 250 Premium (Nissin Calipers) | 250 | 2007 | 2012 | F/R | | | | |
| | | Satelis 250 RS (Nissin Calipers) | 250 | 2007 | 2012 | F/R | | | | |
| | | Geo RS 300 (Nissin Calipers) | 300 | 2010 | 2012 | F/R | | | | |
| | | Geopolis 300 Premium (Nissin Calipers/Non ABS) | 300 | 2010 | 2012 | F/R | | | | |
| | | Geostyle 300 (Nissin Calipers) | 300 | 2010 | 2012 | F/R | | | | |
| | | Geo RS 400 (Nissin Calipers) | 400 | 2008 | 2012 | F/R | | | | |
| | | Geopolis 400 Premium (Nissin Caliper/ Non ABS) | 400 | 2007 | 2012 | F/R | | | | |
| | | Satelis 400 Premium (Nissin Calipers) | 400 | 2008 | 2011 | R | | | | |
| | | Satelis 400 RS (Nissin Calipers) | 400 | 2008 | 2012 | R | | | | |



CC FROM TO FRONT / REAR

...FDB497

| CC | FROM | TO | FRONT / REAR |
|------|------|------|--------------|
| 400 | 2008 | 2012 | R |
| 500 | 2008 | 2011 | R |
| 500 | 2007 | 2012 | R |
| 500 | 2008 | 2012 | R |
| 125 | 2014 | | F |
| 600 | 2010 | 2011 | F |
| 50 | 2008 | 2010 | F |
| 50 | 2010 | 2012 | F |
| 125 | 2009 | 2010 | F |
| 125 | 2009 | 2010 | F |
| 125 | 2009 | 2010 | F |
| 125 | 2008 | 2010 | F |
| 125 | 1987 | | F |
| 125 | 1988 | | F |
| 125 | 1989 | 1995 | F |
| 125 | 1990 | 1996 | F |
| 125 | 2014 | | F |
| 200 | 1990 | 1994 | F |
| 200 | 2014 | | F |
| 250 | 2001 | 2002 | F |
| 250 | 1993 | | F |
| 250 | 1990 | 2000 | F |
| 250 | 1991 | 1992 | F |
| 250 | 1987 | | F |
| 250 | 1989 | 1994 | F |
| 250 | 1993 | 1995 | F |
| 250 | 1989 | 1995 | F |
| 350 | 1990 | | F |
| 350 | 1993 | 1997 | F |
| 400 | 2009 | | F |
| 400 | 2007 | | F |
| 500 | 1987 | | F |
| 300 | 2002 | | F |
| 450 | 2006 | | F |
| 500 | 2000 | 2001 | F |
| 500 | 1998 | 2002 | F |
| 700 | 2008 | | F |
| 150 | 2006 | | R |
| 100 | 2001 | | R |
| 600 | 2002 | | R |
| 750 | 1992 | 1998 | F |
| 865 | 2012 | | R |
| 865 | 2007 | | R |
| 865 | 2010 | | R |
| 865 | 2014 | | R |
| 865 | 2008 | | R |
| 865 | 2005 | | R |
| 865 | 2012 | | R |
| 865 | 2006 | | R |
| 865 | 2004 | | R |
| 900 | 1993 | | F |
| 900 | 2010 | | R |
| 900 | 2004 | 2007 | R |
| 900 | 2008 | | R |
| 900 | 2008 | | R |
| 900 | 1993 | 1998 | F |
| 900 | 1993 | 1998 | F |
| 900 | 1993 | 1995 | F |
| 955 | 1997 | 2000 | R |
| 955 | 2002 | | R |
| 955 | 2003 | 2004 | R |
| 955 | 2003 | 2004 | R |
| 955 | 1999 | 2004 | R |
| 1000 | 2012 | | R |
| 1050 | 2004 | 2007 | R |
| 1050 | 2008 | | R |
| 1050 | 2010 | | R |
| 1050 | 2012 | | R |
| 1050 | 2012 | | R |
| 1050 | 2011 | | R |
| 1050 | 2004 | | R |
| 1200 | 1993 | 1995 | F |
| 1215 | 2013 | | R |
| 1215 | 2012 | | R |
| 50 | 1990 | | F |
| 125 | 1990 | | F |
| 125 | 1991 | 1992 | F |
| 125 | 1989 | | F |



CC FROM TO FRONT / REAR

| CC | FROM | TO | FRONT / REAR |
|------|------|------|--------------|
| 125 | 1990 | 1997 | F |
| 200 | 1991 | | F |
| 200 | 1991 | 1994 | F |
| 250 | 1993 | 1999 | F |
| 250 | 2000 | | F |
| 250 | 1989 | 1994 | F |
| 250 | 1999 | | F |
| 250 | 1995 | 1997 | F |
| 250 | 1990 | 1992 | F |
| 250 | 1990 | 1994 | F |
| 360 | 1989 | | F |
| 500 | 1991 | 1992 | F |
| 500 | 1992 | 1993 | F |
| 750 | 1989 | | F |
| 450 | 2004 | 2005 | F |
| 450 | 2006 | | F |
| 450 | 2004 | 2009 | F |
| 660 | 2004 | 2007 | F |
| 700 | 2006 | | F |
| 700 | 2008 | | F/R |
| 125 | 1988 | | F |
| 250 | 1988 | | F |
| 250 | 1988 | | F |
| 300 | 1989 | | R |
| 125 | 1990 | 1991 | F |
| 125 | 1990 | 1991 | F |
| 125 | 1989 | 1991 | F |
| 125 | 1989 | 1991 | F |
| 125 | 2004 | | F |
| 125 | 1993 | 1997 | F |
| 125 | 2000 | 2003 | F |
| 125 | 1993 | 2003 | F |
| 250 | 1990 | | F |
| 1988 | | | F |
| 1989 | | 1993 | F |
| 50 | 1992 | | F |
| 50 | 1992 | | F |
| 80 | 1995 | | F |
| 125 | 1989 | | F |
| 125 | 1991 | | F |
| 125 | 1991 | | F |
| 125 | 1993 | | F |
| 125 | 1988 | | F |
| 125 | 1990 | | F |
| 125 | 1989 | | F |
| 125 | 1990 | | F |
| 50 | 1994 | | F |
| 125 | 1986 | 1987 | F/R |
| 125 | 1986 | 1987 | F/R |
| 250 | 1986 | 1987 | F/R |
| 250 | 1986 | 1987 | F/R |
| 300 | 1986 | 1987 | F/R |
| 500 | 1986 | 1987 | F/R |
| 550 | 1986 | 1987 | F/R |
| 550 | 1987 | | F/R |
| 600 | 1986 | 1987 | F/R |
| 1000 | 1993 | 1995 | F |
| 660 | 1995 | | F |
| 125 | 2000 | | F |
| 650 | 2001 | | F |
| 800 | 2001 | | F |
| 250 | 1992 | | F |
| 300 | 1989 | | F |
| 125 | 1987 | | F |
| 350 | 1989 | | F |
| 50 | 1989 | | F |
| 90 | 1990 | | F |
| 125 | 1987 | | F |
| 125 | 1987 | | F |
| 125 | 1988 | | F |
| 125 | 1987 | | F |
| 125 | 1987 | | F |
| 125 | 1988 | | F |
| 125 | 1987 | | F |
| 250 | 1987 | | F |
| 750 | 1990 | | F |
| 125 | 1991 | | F |
| 125 | 1989 | | F |
| 600 | 1989 | 1990 | F |
| 600 | 1990 | | F |
| 50 | | | F |

B = Bike
A = ATV
S = Snowmobile

B = Bike
A = ATV
S = Snowmobile



CC FROM TO FRONT / REAR

| CC | FROM | TO | FRONT / REAR |
|-----------|-------------|-------------------------------|------------------|
| ...FDB499 | HUSABERG | B 501 ENDURO | 50 1992 1993 F |
| | | B MC 350 | 350 1991 1993 F |
| | | B MC 350 | 350 1994 F |
| | | B 500 all models | 500 1991 1992 F |
| | HUSQVARNA | B 600 ENDURO | 600 1992 1993 F |
| | | B CR 125 CROSS | 125 1991 1995 F |
| | | B WR 125 | 125 1987 1990 F |
| | | B WR 125 | 125 1991 1997 F |
| | | B WRE 125 | 125 1988 F |
| | | B WRE 125 | 125 1989 1994 F |
| | | B CR 240 | 240 1987 F |
| | | B WR 240 | 240 1987 1990 F |
| | | B WR 240 | 240 1991 F |
| | | B WRK 240 | 240 1988 F |
| | | B CR 250 CROSS | 250 1991 1995 F |
| | | B WR 250 | 250 1987 1989 F |
| | | B WR 250 | 250 1990 F |
| | | B WR 250 | 250 1991 1997 F |
| | | B XC 250 | 250 1987 F |
| | | B WR 260 | 260 1991 F |
| | | B WRK 260 | 260 1988 F |
| | | B TE 350 | 350 1990 1995 F |
| | | B WR 400 | 400 1987 F |
| | | B AE 430 | 430 1988 F |
| | | B AUTO 430 | 430 1987 F |
| | | B CR 430 | 430 1987 F |
| | | B WR AE 430 | 430 1987 F |
| | | B XC 430 | 430 1987 F |
| | | B XC 500 | 500 1987 F |
| | | B TC 510 | 510 1988 F |
| | | B TE - AC - LC 510 | 510 1987 F |
| | | B TE 510 | 510 1990 F |
| | | B WRK 600 | 600 1989 F |
| | KRAM IT | B ER 125 RV 3 | 125 1988 F |
| | | B ER 250 RV 3 | 250 F |
| | | B ER 300 RV 3 | 300 1988 F |
| | LAVERDA | B CR 600 CRUISER | 600 1987 F |
| | MOTO MORINI | B EXCALIBUR 501 | 50 1989 F |
| | | B NEW YORK 501 | 50 1989 F |
| | | B COGAURO 350 | 350 1990 F |
| | | B DART 350 | 350 1988 1989 F |
| | | B EXCALIBUR RLX 350 | 350 1990 F |
| | | B NEW YORK 350 | 350 1989 F |
| | TM | B all models 80 | 80 1990 1993 F |
| | | B GS 80 | 80 1986 1989 F |
| | | B MC 80 | 80 1986 1989 F |
| | | B GS / MC 125 | 125 1990 1993 F |
| | | B GS 125 | 125 1986 1989 F |
| | | B MC 125 | 125 1986 1989 F |
| | YAMAHA | B DT 80 LC (Espana) | 80 1989 F |
| | | B DT 125 CHESTERFIELD SCOUT | 125 1989 F |
| | | B TDR 125 | 125 1992 F |
| | | B TDR 125 (Italia) | 125 1990 1991 F |
| FDB508 | KAWASAKI | B GPX 250 R NINJA | 250 1987 1995 R |
| | | B KR-1 250 | 250 1988 R |
| | | B KR-1 250 | 250 1989 F/R |
| | | B KR-1 250 C1 - C3 | 250 1990 1992 R |
| | | B ZXR 250 | 250 1989 F |
| | | B GPX 400 R | 400 1987 F |
| | | B GPX 400 R | 400 1988 F/R |
| | | B GPZ 400 R | 400 1990 F |
| | | B XANTUS 400 | 400 1992 F |
| | | B ZR 400 ZEPHYR (ZR-C) | 400 1989 1992 R |
| | | B ZX 4 400 | 400 1988 F/R |
| | | B ZEPHYR 550 | 550 1991 R |
| | | B ZR 550 ZEPHYR | 550 1990 1992 R |
| | | B ZR 750 ZEPHYR | 750 1991 1993 R |
| | | B KR 1250 | 1250 1989 F/R |
| | SUZUKI | B RGV 250 | 250 1994 1996 R |
| | | B RGV 250 R | 250 1990 1992 R |
| | | B RGV 500 GAMMA | 500 1990 R |
| | | B GSX 1100 G | 1100 1993 1996 R |
| FDB529 | APRILIA | B TUAREG 125 WIND | 125 1990 F |
| | | B TUAREG 350 WIND | 350 1990 F |
| | | B TUAREG 600 WIND | 600 1990 F |
| | | B TUAREG 600 WIND PARIS-DAKAR | 600 1989 F |
| | | B TUAREG 600 WIND. | 600 1989 F |
| | CAGIVA | B SUPERCITY 50 | 50 1993 F |



CC FROM TO FRONT / REAR

| CC | FROM | TO | FRONT / REAR |
|--------|-------------|--|------------------|
| | | B SUPERCITY 80 | 80 1994 F |
| | | B FRECCIA 125 C10 | 125 1988 F |
| | | B FRECCIA 125 C10 ANNIVERSARIO | 125 1989 F |
| | | B FRECCIA 125 C10 R | 125 1988 F |
| | | B FRECCIA 125 C12 R | 125 1989 1990 F |
| | | B FRECCIA 125 C12 R | 125 1991 F |
| | | B K7 125 ENDURO | 125 1991 F |
| | | B MITO 125 | 125 1991 1992 F |
| | | B N 125 | 125 1991 F |
| | | B SUPERCITY 125 | 125 1994 F |
| | | B TAMANACO 125 | 125 1989 F |
| | | B W8 125 PRO ACTION | 125 1992 1995 F |
| | | B W8 125 PRO ACTION | 125 1996 F |
| | | B W 12 350 | 350 1992 F |
| | | B W 16 650 | 650 1993 F |
| | | B ELEFANT 750 | 750 1988 1989 R |
| | GILERA | B RC 600 | 600 1991 F |
| | | B RC 600 NORD WEST | 600 1991 F |
| | | B RC 600 R | 600 1991 F |
| | MOTO MORINI | B COGUARO 501 | 50 1989 F |
| | | B DART 350 | 350 1990 F |
| | | B DART 400 | 400 1990 F |
| | | B WOLF 250 | 250 1990 F |
| FDB531 | BUELL | B all models | 1998 2002 R |
| | | B Blast 500 | 500 2000 2001 R |
| | | B XB9R | 984 2002 R |
| | | B XB9S / Lightning City XB9SX | 984 2003 R |
| | | B ULYSSES XB12XT | 1200 2006 R |
| | | B XB12 SX Lighting City X | 1200 2010 R |
| | | B XB12R Firebolt | 1200 2004 R |
| | | B XB12S Lightning | 1200 2004 2008 R |
| | | B XB12S Lightning | 1200 2009 R |
| | | B XB12SCG Lightning Low | 1200 2006 2008 R |
| | | B XB12SCG Lightning Low | 1200 2009 R |
| | | B XB12SS Lightning Long | 1200 2006 2008 R |
| | | B XB12SS Lightning Long | 1200 2009 R |
| | HONDA | B FES 125 PANTHEON | 125 2007 R |
| | | B 150 PANTHEON | 150 2003 R |
| | | B CB 250 FT HORNET | 250 1996 2001 R |
| | | B CBR 250 R - RR | 250 1990 1994 R |
| | | B CBR 250 R HURRICANE | 250 1986 1988 R |
| | | B FE 250 FORESIGHT | 250 1999 R |
| | | B JADE 250 | 250 1991 R |
| | | B NSR 250 R - SP | 250 1988 1993 R |
| | | B RS 250 R | 250 1991 R |
| | | B VT 250 SPADA | 250 1988 R |
| | | B VTR 250 | 250 1998 R |
| | | B CB 400 FK (CB-1) | 400 1990 R |
| | | B CB 400 SUPER FOUR | 400 1992 R |
| | | B CB 400 SUPER FOUR S | 400 1997 1998 R |
| | | B CB-1 400 F | 400 1989 R |
| | | B CBR 400 R R | 400 1988 1993 R |
| | | B NTV 400 BROS | 400 1988 R |
| | | B TRANSALP 400 | 400 1992 R |
| | | B VFR 400 R | 400 1987 1989 R |
| | | B CB 500 R | 500 2013 R |
| | | B CB 500 X | 500 2013 R |
| | | B CBR 500 R | 500 2013 R |
| | | B NX 500 DOMINATOR | 500 1988 1996 R |
| | | B NTV 600 BROSS | 600 1988 1992 R |
| | | B NTV 600 REVERE - HAWK | 600 1990 1992 R |
| | | B XL 600 V TRANSALP | 600 1991 1993 R |
| | | B XL 600 V TRANSALP | 600 1994 1996 R |
| | | B XL 600 V TRANSALP | 600 1997 1999 R |
| | | B FMX 650 | 650 2007 R |
| | | B NT 650 HAWK GT | 650 1988 1990 R |
| | | B NT 650 V DEAUVILLE | 650 1998 2001 R |
| | | B NTV 650 | 650 1994 1997 R |
| | | B NTV 650 BROS - I | 650 1990 1993 R |
| | | B NTV 650 REVERE | 650 1988 1993 R |
| | | B NX 650 DOMINATOR | 650 1993 1994 R |
| | | B NX 650 DOMINATOR | 650 1995 1997 R |
| | | B NX 650 DOMINATOR J - K | 650 1988 1992 R |
| | | B XL 650 V TRANSALP | 650 2000 R |
| | | B XRV 650 AFRICA TWIN | 650 1988 1989 R |
| | | B NC 700 S.X (manual gearbox - No ABS) | 700 2012 R |
| | | B XRV 750 R AFRICA TWIN | 750 1990 1993 R |
| | | B XRV 750 R AFRICA TWIN | 750 1994 2003 R |



CC FROM TO FRONT / REAR

| CC | FROM | TO | FRONT / REAR | | |
|-------------------------------------|------------------|--|--------------------|--------------------|-----------------|
| ...FDB531 | PEUGEOT | B SV 250 | 250 2001 R | | |
| | SINNIS | B QM 125- 2 D Stealth 125 Left | 125 2008 2010 R | | |
| | TRIUMPH | B TT 600 | 600 2000 2003 R | | |
| | | B DAYTONA 675 | 675 2009 2012 R | | |
| | | B DAYTONA 675 / Special Edition / Triple | 675 2006 2008 R | | |
| | | B DAYTONA 675 R (Racing version pad) | 675 2011 2012 R | | |
| | | B DAYTONA 675 R (Road version pad) | 675 2011 2012 R | | |
| | | B STREET TRIPLE 675 | 675 2007 2012 R | | |
| | | B STREET TRIPLE 675 R | 675 2009 2012 R | | |
| | | B BONNEVILLE 800 (USA version) | 800 2001 R | | |
| | | B TIGER 800 (NO ABS) | 800 2011 R | | |
| | | B TIGER 800 XC (NO ABS) | 800 2011 R | | |
| | | B TIGER 800 XC SE | 800 2014 R | | |
| | | B DAYTONA 955i | 955 2001 2004 R | | |
| | | B TIGER XC | 1050 2011 R | | |
| | | FDB533 | HONDA | B CB 250 FT HORNET | 250 1996 2001 F |
| | | | | B CBR 250 R - RR | 250 1990 1994 F |
| B NSR 250 R - SP | 250 1988 1993 F | | | | |
| B RS 250 R | 250 1991 F | | | | |
| B NTV 400 BROS | 400 1988 F | | | | |
| B VTR 400 R (NC 30) | 400 1989 1991 F | | | | |
| B NTV 600 BROSS | 600 1988 1992 F | | | | |
| B NTV 650 BROS - I | 650 1990 1993 F | | | | |
| B NR 750 | 750 1992 F | | | | |
| B VFR 750 R (RC-30) | 750 1988 1993 F | | | | |
| B CB 900 HORNET | 900 2002 F | | | | |
| B CBR 900 RR-FIREBLADE | 900 1992 1995 F | | | | |
| B CB 1000 SF | 1000 1993 1997 F | | | | |
| B CBR 1000 BIG ONE | 1000 1993 1997 F | | | | |
| B VTR 1000 FV FIRESTORM - SUPERHAWK | 1000 1997 2000 F | | | | |
| B CB 1300 X4 | 1300 1997 2000 F | | | | |
| FDB538 | HONDA | | | B CN 250 | 250 1990 1992 F |
| | | B CN 250 | 250 1993 2000 F | | |
| | | B VT 250 F2 | 250 1982 F | | |
| | | B CB 400 N/F | 400 1983 F | | |
| | | B CBX 400 C | 400 1983 F | | |
| | | B NS 400 RF - RG | 400 1985 F | | |
| | | B VF 400 F INTEGRA | 400 1982 F | | |
| | | B VF 700 F INTERCEPTOR | 700 1984 1985 R | | |
| | | B VFR 700 F/2 INTERCEPTOR | 700 1986 1987 R | | |
| | | B CBR 750 F HURRICANE | 750 1987 1988 R | | |
| | | B VF 750 CH | 750 1987 1989 F | | |
| | | B VFR 750 C V45 MAGNA | 750 1988 F | | |
| | | B CBR 1000 F | 1000 1987 1988 R | | |
| | | B CBR 1000 R HURRICANE | 1000 1987 1988 R | | |
| | | B CB 1100 RC | 1100 1980 1983 F/R | | |
| | | B CB 1100 RC ventilated discs | 1100 1980 1983 F/R | | |
| | | B CBX 1100 F | 1100 1982 1985 F | | |
| FDB539 | AJP | B PR5 250 Enduro | 250 2009 R | | |
| | | B PR5 250 Enduro | 250 2010 2011 R | | |
| | | B PR5 250 Supermoto | 250 2009 R | | |
| | DERBI | B PR5 250 Supermoto | 250 2010 2011 R | | |
| | | B GPR 50 NAKED | 50 2004 2006 R | | |
| | GASGAS | B GPR 80 CUP | 80 2004 2007 R | | |
| | | B EC / MC 125 | 125 2000 R | | |
| | | B EC 200 | 200 2001 R | | |
| | | B EC / MC 250 | 250 2000 R | | |
| | | B EC / MC 300 | 300 2000 R | | |
| | | B EC 400 | 400 2001 R | | |
| | | B FSE 450 | 450 2004 R | | |
| | HONDA | B FSE 450 SM | 450 2003 R | | |
| | | B CRM 50 | 50 1993 1996 R | | |
| | | B NSR 50 (Spain) | 50 R | | |
| | | B CRM 75 | 75 1990 1994 R | | |
| | | B CRM 75 R | 75 1990 1994 R | | |
| B YUPY 75 | | 75 1991 F | | | |
| B CR 80 R | | 80 1992 2006 R | | | |
| B CR 80 R | | 80 2007 R | | | |
| B CRM 80 | | 80 1993 R | | | |
| B NSR 80 R | | 80 1987 1992 R | | | |
| B NSR 80 R | | 80 1993 1998 R | | | |
| B CR 85 R/RB | | 85 2003 2007 R | | | |
| B CR 125 RH - J - K - L | | 125 1987 1994 R | | | |
| B CR 125 RW - RX - RY - R1 | | 125 1996 2001 R | | | |
| B CRM 125 | 125 1990 1999 R | | | | |
| B XLR 125 | 125 1993 R | | | | |
| B XLR 200 R | 200 1993 R | | | | |
| B CRF 230 F | 230 2008 R | | | | |



CC FROM TO FRONT / REAR

| CC | FROM | TO | FRONT / REAR | | | | |
|----------------------------|-----------------|-----------------------|-----------------|---------------------|-----------------|------------------------|-----------------|
| HUSQVARNA | B | EASY 230 Enduro /SM | 230 2008 R | | | | |
| | | CR 250 R | 250 1987 1994 R | | | | |
| | | CR 250 R | 250 1990 R | | | | |
| | | CRM 250 R | 250 1989 1990 R | | | | |
| | | CRM 250 R | 250 1991 R | | | | |
| | | XL 250 | 250 1990 R | | | | |
| | | XLR 250 R | 250 1991 R | | | | |
| | | XLR 250 R BAJA | 250 1988 1990 R | | | | |
| | | XLR 250 R BAJA | 250 1991 R | | | | |
| | | XR 250 L | 250 1991 1995 R | | | | |
| | | XR 250 R | 250 1988 1993 R | | | | |
| | | XR 250 R | 250 1994 R | | | | |
| | | CRE 260 | 260 1990 R | | | | |
| | | XR 400 R (All Models) | 400 1996 R | | | | |
| | | XR 400 SUPERMOTARD | 400 2000 R | | | | |
| | | XR 440 R (DALL'ARA) | 440 1999 R | | | | |
| | | KAWASAKI | B | CR 500 R | 500 1987 1992 R | | |
| CR 500 R | 500 1993 1994 R | | | | | | |
| CR 500 R | 500 1995 2001 R | | | | | | |
| XR 600 L - R | 600 1994 2002 R | | | | | | |
| XR 600 R | 600 1991 1993 R | | | | | | |
| XR 650 L | 650 1993 1995 R | | | | | | |
| XR 650 L | 650 1996 R | | | | | | |
| XR 650 R | 650 1999 R | | | | | | |
| TE 125 | 125 2007 2010 R | | | | | | |
| WXE 125 | 125 2007 R | | | | | | |
| SMR 449 | 449 2011 R | | | | | | |
| KX 125 | 125 1996 2002 R | | | | | | |
| KX 125 | 125 2003 R | | | | | | |
| KDX 250 K2-K4 | 250 1995 R | | | | | | |
| KX 250 | 250 1996 2002 R | | | | | | |
| KX 250 | 250 2003 R | | | | | | |
| KYMCO | B | | | KLX 300 R | 300 1997 2003 R | | |
| | | KX 500 E8/E9 | 500 1996 R | | | | |
| | | SUPER 9 50 | 50 1999 2000 F | | | | |
| | | PEUGEOT | B | SV 80 EXECUTIVE | 80 1996 F | | |
| | | | | RM 125 T - U - V | 125 1996 1998 R | | |
| | | | | RM 125 X - Y - K1 | 125 1999 2008 R | | |
| | | | | RM 250 | 250 2000 2008 R | | |
| | | | | RM 250 T/V | 250 1996 1999 R | | |
| | | | | DR-Z 400 S - E - SM | 400 2000 R | | |
| | | | | DR 650 SE | 650 1996 R | | |
| | | | | SUZUKI | B | SR 100 SUNRISE | 100 1998 F |
| | | | | | | MX 85 (Big Wheel) | 85 2002 2004 R |
| | | | | | | MX 85 JR (Small Wheel) | 85 2002 2004 R |
| | | | | | | Enduro EN 125 (2T) | 125 2001 2004 R |
| | | | | | | Enduro EN 125 (2T) | 125 2005 2012 R |
| | | | | | | MX 125 (2T) | 125 2001 2012 R |
| | | | | | | Enduro EN 250 (2T) | 250 2001 2004 R |
| MX 250 (2T) | 250 2001 2004 R | | | | | | |
| MX 250 (4T) Cross | 250 2002 2004 R | | | | | | |
| SM 250 | 250 2002 0000 R | | | | | | |
| SME 250 (4T) | 250 2004 0000 R | | | | | | |
| Enduro EN 300 (2T) | 300 2001 2004 R | | | | | | |
| MX 300 (2T) | 300 2001 2004 R | | | | | | |
| 400 (4T) MX Cross | 400 2002 2003 R | | | | | | |
| SM 400 | 400 2002 2003 R | | | | | | |
| SME 400 (4T) | 400 2004 0000 R | | | | | | |
| EN 450 F (4T) | 450 2004 0000 R | | | | | | |
| MX 450 F (4T) | 450 2004 0000 R | | | | | | |
| MX 450 F - USA versiom | 450 2005 2008 R | | | | | | |
| SMX 450 F Competition (4T) | 450 2005 2008 R | | | | | | |
| 530 (4T) Cross | 530 2002 2003 R | | | | | | |
| EN 530 F (4T) | 530 2004 0000 R | | | | | | |
| MX 530 F | 530 2004 0000 R | | | | | | |
| SM 530 | 530 2002 2003 R | | | | | | |
| SME 530 (4T) | 530 2004 0000 R | | | | | | |
| SMX 660 F | 660 2004 0000 R | | | | | | |
| YAMAHA | B | YZ 125 all models | 125 1998 2002 R | | | | |
| | | TT-R 250 | 250 2000 R | | | | |
| | | WR 250 FN | 250 2001 2002 R | | | | |
| | | WR 250 K | 250 1998 R | | | | |
| | | YZ 250 FN | 250 2001 2002 R | | | | |
| | | YZ 250 K/L/M | 250 1998 2000 R | | | | |
| | | YZ 250 N | 250 2001 R | | | | |
| | | WR 400 F | 400 1999 2001 R | | | | |
| | | YZ 400 F | 400 1998 R | | | | |
| | | WR 426 FN | 426 2001 2002 R | | | | |

B = Bike
A = ATV
S = Snowmobile

B = Bike
A = ATV
S = Snowmobile



CC FROM TO FRONT / REAR

| CC | FROM | TO | FRONT / REAR |
|-----------|--------|--|--------------------|
| ...FDB539 | | | |
| FDB557 | SUZUKI | | |
| | B | YZ 426 FM / FN | 426 2000 2002 R |
| | B | RGV 250 R | 250 1988 F |
| | B | GSX-R 400 R | 400 1990 1995 F |
| | B | GSX-R 750 | 750 1988 1993 F |
| | B | RF 900 RR | 900 1994 1995 F |
| | B | RF 900 RT - RV | 900 1996 1999 F |
| | B | GSX-R 1100 K - L - M - N | 1100 1989 1992 F |
| | B | GSF 1200 T-ST-V-SV- BANDIT | 1200 1995 2000 F |
| | B | TRIUMPH | |
| | B | BABY SPEED 600 | 600 2004 F |
| | B | DAYTONA 600 | 600 2003 F |
| | B | SPEED FOUR 600 | 600 2002 F |
| | B | TT 600 | 600 2000 2003 F |
| | B | DAYTONA 750 SPORT | 750 1991 1992 F |
| | B | DAYTONA 900 | 900 1993 1996 F |
| | B | DAYTONA SPRINT 900 | 900 1994 1998 F |
| | B | SPEED TRIPLE 900 | 900 1994 F |
| | B | TROPHY 900 | 900 1996 1998 F |
| | B | DAYTONA 955i | 955 1997 2000 F |
| | B | DAYTONA 955i | 955 2001 2004 F |
| | B | SPEED TRIPLE 955 | 955 2002 F |
| | B | SPRINT RS 955 (from VIN 139277 to 161317) single sided swing arm | 955 2003 2004 F |
| | B | SPRINT RS 955 (from VIN 161318) double sided swing arm | 955 2003 2004 F |
| | B | SPRINT RS 955 (up to VIN 161317) double sided swing arm | 955 1999 2002 F |
| | B | SPRINT ST 955 | 955 1999 2004 F |
| | B | DAYTONA 1000 SPORT | 1000 1991 1992 F |
| | B | SPRINT GT 1050 | 1050 2011 F |
| | B | SPRINT ST 1050 / ABS | 1050 2004 F |
| | B | DAYTONA 1200 | 1200 1993 1998 F |
| | B | TROPHY 1200 | 1200 1996 2001 F |
| | B | TIGER EXPLORER XC 1200 | 1215 2013 F |
| | B | THUNDERBIRD 1600 | 1600 2009 F |
| | B | THUNDERBIRD COMANDER | 1700 2014 F |
| | B | THUNDERBIRD LT | 1700 2014 F |
| | B | THUNDERBIRD STORM 1700 | 1700 2011 F |
| | B | ROCKET 2300 /Rocket III Classic / Touring / Roadster | 2300 2004 F |
| | B | YAMAHA | |
| | B | TZ 125 | 125 1997 F |
| | B | TZ 250 (Radial Caliper) | 250 2002 F |
| | B | TZ 250 A - GP | 250 1990 2001 F |
| | B | TZR 250 R - SP | 250 1989 1992 F |
| | B | FZR 750 (O W01) | 750 1989 1991 F |
| FDB569 | SUZUKI | | |
| | B | GSX 600 F KATANA | 600 1988 1993 F |
| | B | GSX 750 FK/FL/FM/FN/FP/FR/FS/FT/FV | 750 1989 1997 F |
| | B | VX 800 | 800 1990 1994 R |
| | B | VX 800 | 800 1995 R |
| | B | GSX 1100 FK - L - M - N - R | 1100 1988 1993 F/R |
| | B | GV 1400 CAVALCADE | 1400 1987 1988 F |
| FDB570 | BMW | | |
| | C | evolution (elettrico) | 2014 F/R |
| | B | 900 CAT | 900 1993 F |
| | B | GRAN CANYON 900 | 900 1999 F |
| | B | NAVIGATOR / NAVIGATOR T | 1000 2000 2005 F |
| | B | HONDA | |
| | B | RS 125 R | 125 1991 1994 F |
| | B | SH 125i | 125 2013 F |
| | B | SH 150i ABS | 150 2013 F |
| | B | CB 250 NIGHT HAWK | 250 1991 2001 F |
| | B | CBR 250 R | 250 2011 F |
| | B | CBX 250 F | 250 1995 F |
| | B | JADE 250 | 250 1991 F |
| | B | VT 250 CR MAGNA | 250 1994 F |
| | B | VT 250 SPADA | 250 1988 F |
| | B | VTR 250 | 250 1998 F |
| | B | VTZ 250 XELVIS | 250 1992 F |
| | B | CB 400 FK (CB-1) | 400 1990 F |
| | B | CB 400 SUPER FOUR | 400 1992 F |
| | B | CB-1 400 F | 400 1989 F |
| | B | CBR 400 R R | 400 1988 1993 F |
| | B | CB 500 R | 500 2013 F |
| | B | CB 500 R/T | 500 1994 1996 F |
| | B | CB 500 X | 500 2013 F |
| | B | CBR 500 R | 500 2013 F |
| | B | CB 600 HORNET | 600 1998 1999 F |
| | B | CB 600 HORNET / S | 600 2000 2006 F |
| | B | CBF 600 4/A4 / HORNET / Travel | 600 2004 F |
| | B | NTV 600 REVERE - HAWK | 600 1990 1992 F |
| | B | SW-T 600 ABS | 600 2011 R |
| | B | VT 600 C SHADOW | 600 1994 2003 F |
| | B | XL 600 V TRANSALP | 600 1994 1996 F |
| | B | NT 650 HAWK GT | 650 1988 1990 F |
| | B | NTV 650 | 650 1994 1997 F |



CC FROM TO FRONT / REAR

| CC | FROM | TO | FRONT / REAR |
|--------|----------|---------------------------------------|--------------------|
| | B | NTV 650 REVERE | 650 1988 1993 F |
| | B | DN-01 Sports Cruiser | 680 2009 R |
| | B | VFR 700 F INTERCEPTOR | 700 1988 F/R |
| | B | CB 750 N SEVEN FIFTY | 750 1992 2002 F |
| | B | CBR 750 F | 750 1988 F/R |
| | B | MAGNA 750 | 750 1993 F |
| | B | VF 750 C | 750 1993 F |
| | B | VFR 750 F | 750 1990 1993 F |
| | B | VFR 750 F | 750 1994 1997 F |
| | B | VT 750 AMERICAN CLASSIC EDITION | 750 1998 F |
| | B | VT 750 C / C2 SHADOW / SHADOW SPIRIT | 750 1997 F |
| | B | VT 750 DCI | 750 2001 2003 F |
| | B | CROSSRUNNER | 780 2011 R |
| | B | PC 800 PACIFIC COAST | 800 1989 1997 F |
| | B | VFR800F | 800 2014 R |
| | B | VFR 950 F CARAT | 950 1992 F |
| | B | CB 1000 SUPERFOUR (BIG FOUR) | 1000 1992 F |
| | B | CBF 1000 | 1000 2006 F |
| | B | CBR 1000 F | 1000 1989 1992 F/R |
| | B | 1100 AMERICAN CLASSIC EDITION | 1100 1995 F |
| | B | ST 1100 PAN EUROPEAN | 1100 1990 2000 F/R |
| | B | ST 1100 PAN EUROPEAN ABS/TCS | 1100 1992 1995 F/R |
| | B | VT 1100 C SHADOW | 1100 1994 F |
| | B | VT 1100 C2 SHADOW | 1100 1995 F |
| | B | VTX 1300 S / C | 1300 2003 F |
| | B | GL 1500 FC6 | 1500 1997 1999 F/R |
| | B | HYOSUNG | |
| | B | V2 125 | 125 1999 F |
| | B | KAWASAKI | |
| | B | J300 | 300 2014 F |
| | B | Z 750 / Z 750 S | 750 2007 F |
| | B | Z800 E (CDS) | 800 2013 F |
| | B | KYMCO | |
| | B | XCITING 250 | 250 2004 2005 F/R |
| | B | GRAND DINK 300i | 300 2010 F |
| | B | XCITING 500 | 500 2004 F/R |
| | B | XCITING 500 / 500i | 500 2005 R |
| | B | MOTO GUZZI | |
| | B | BELLAGIO 1000 / Aquila Nera | 1000 2008 R |
| | B | V12 X / Strada | 1200 2010 R |
| | B | V12 X / Strada | 1200 2010 R |
| | B | PEUGEOT | |
| | B | SATELIS 125 / 600 | 125 2004 2005 F |
| | B | Satelis 400 Premium (Nissin Calipers) | 400 2008 2011 F |
| | B | Satelis 400 RS (Nissin Calipers) | 400 2008 2012 F |
| | B | Satelis 400 Urban (Nissin Calipers) | 400 2008 2012 F |
| | B | Geopolis 500 | 500 2008 2011 F |
| | B | Satelis 500 | 500 2007 2012 F |
| | B | Satelis 500 RS (Nissin Calipers) | 500 2008 2012 F |
| | B | SUZUKI | |
| | B | Imazuma 250 | 250 2013 F |
| | B | GSF 400 BANDIT | 400 1995 1997 F |
| | B | GSX 400 IMPULSE | 400 1994 1996 F |
| | B | RF 400 RVC | 400 1993 F |
| | B | GSF 600 BANDIT | 600 1995 1999 F |
| | B | GSX-R 600 F | 600 1994 1995 F |
| | B | RF 600 RR | 600 1993 1997 F |
| | B | BURGMAN 650 ABS Executive | 650 2004 2013 F |
| | B | BURGMAN 650 NO ABS | 650 2004 2013 F |
| | B | INTRUDER C1500BT | 1500 2012 F |
| | B | SYM | |
| | B | Cevalo B9A (125cc -4T) | 125 2010 F |
| | B | TRIUMPH | |
| | B | STREET TRIPLE 675 | 675 2007 2012 F |
| | B | STREET TRIPLE 675 | 675 2013 F |
| | B | BONNEVILLE 800 (USA version) | 800 2001 F |
| | B | TIGER 800 (NO ABS) | 800 2011 F |
| | B | TIGER 800 XC (NO ABS) | 800 2011 F |
| | B | TIGER 800 XC SE | 800 2014 F |
| | B | BONNEVILLE T100 SE | 865 2012 F |
| | B | AMERICA LT 865 | 865 2014 F |
| | B | BONNEVILLE T100 BLACK | 865 2012 F |
| | B | SPEEDMASTER 865 | 865 2004 F |
| | B | ADVENTURER 900 | 900 1996 2001 F/R |
| | B | LEGEND 900 TT | 900 1999 2001 F/R |
| | B | THRUXTON 900 | 900 2004 2007 F |
| | B | THUNDERBIRD 900 / SPORT | 900 1995 F/R |
| | B | TIGER 950 | 950 1999 F/R |
| | B | YAMAHA | |
| | B | WR 250 XX (Supermotard) | 250 2008 F |
| | B | MT-01 1670 | 1670 2005 2006 R |
| | B | MT-01 1670 | 1670 2007 R |
| FDB574 | KAWASAKI | | |
| | B | VN 200 | 200 2007 F |
| | B | KR-1 250 C1 - C3 | 250 1990 1992 F |
| | B | ZXR 400 | 400 1991 F |
| | B | ZZR 400 | 400 1990 1992 F |
| | B | ZZR 400 | 400 1993 F |



CC FROM TO FRONT / REAR

| Code | Brand | Model | CC | FROM | TO | FRONT / REAR | | |
|--------|-----------------|--------------------------------------|-------------|-------------------|------|--------------|------|---|
| FDB574 | SUZUKI | B GPZ 500 S | 500 | 1993 | | F | | |
| | | B ZZ-R 600 | 500 | 1990 | | F | | |
| | | B ZX 6R 600 D1-D2 (DX 6) | 600 | 1990 | 1993 | F | | |
| | | B ZX 6R 600 NINJA | 600 | 1994 | 1997 | F | | |
| | | B ZZR 600 | 600 | 1990 | 1992 | F | | |
| | | B ZZR 600 | 600 | 1993 | | F | | |
| | | B ZX-7 750 R NINJA | 750 | 1989 | 1995 | F | | |
| | | B ZXR 750 | 750 | 1989 | 1990 | F | | |
| | | B ZXR 750 R | 750 | 1993 | 1995 | F | | |
| | | B ZXR 750 R STINGER / NINJA | 750 | 1991 | 1992 | F | | |
| | | B GPZ 900 R | 900 | 1990 | 1996 | F | | |
| | | B X-9 R 900 NINJA | 900 | 1994 | 1995 | F | | |
| | | B ZX-9R 900 R NINJA (B1 - B2) | 900 | 1994 | 1995 | F | | |
| | | B VERSYS 1000 | 1000 | 2012 | | F | | |
| | | B ZZR 1000 | 1000 | 1991 | | F | | |
| | | B ZR 1100 ZEPHYR (ZR 1100 A) | 1100 | 1992 | 1996 | F | | |
| | | B ZX 1100 | 1100 | 1993 | | F | | |
| | | B ZZR 1100 GT (ZX 1100 C) | 1100 | 1990 | 1992 | F | | |
| | | B ZZR 1100 GT (ZX 1100 D) | 1100 | 1993 | 2001 | F | | |
| | | B ZZR 1200 | 1200 | 2002 | | F | | |
| | | B VN 1700 Classic Tourer / Custom | 1700 | 2010 | | F | | |
| | | B VN 1700 Voyager / Voyager Custom | 1700 | 2009 | | F | | |
| | | B VN 2000 VULCAN / CLASSIC | 2000 | 2004 | | F | | |
| | | B RG 125 T - FV | 125 | 1992 | 1996 | F | | |
| | | B RG 200 GAMMA | 200 | 1993 | 1994 | F | | |
| | | B COBRA 250 | 250 | 1989 | | F | | |
| | | B COBRA 250 | 250 | 1990 | | F | | |
| | | B GOOSE 250 | 250 | 1992 | | F | | |
| | | B GSX-R 250 R - R/SP | 250 | 1989 | | F | | |
| | | B RGV 250 | 250 | 1993 | | F | | |
| | | B RGV 250 | 250 | 1994 | 1996 | F | | |
| | | B RGV 250 R | 250 | 1989 | | F | | |
| | | B RGV 250 R | 250 | 1990 | 1992 | F | | |
| | | B GOOSE 350 | 350 | 1992 | | F | | |
| | | B GSF 400 BANDIT | 400 | 1993 | 1994 | F | | |
| | | B GSF 400 S KATANA | 400 | 1989 | 1990 | F | | |
| | | B GSX 400 KATANA | 400 | 1989 | 1992 | F | | |
| | | B GSX-R 400 (V) | 400 | 1989 | 1990 | F | | |
| | | B RGV 500 GAMMA | 500 | 1990 | | F | | |
| | | B GSR 600 /A / ABS | 600 | 2006 | | F | | |
| | | B GSX-R 600 V | 600 | 1996 | 2003 | F | | |
| | | B BANDIT 650 / 650S ABS | 650 | 2008 | | F | | |
| | | B BANDIT 650 FA | 650 | 2012 | | F | | |
| | | B GSF 650S | 650 | 2008 | | F | | |
| | | B GSX 650F | 650 | 2008 | | F | | |
| | | B GSX-R 750 Y | 750 | 2000 | 2003 | F | | |
| | | B SV 1000 K3/SK3 | 1000 | 2003 | | F | | |
| | | B TL 1000 SV TWIN | 1000 | 1997 | 2001 | F | | |
| | | B GSF 1250 A BANDIT / SA / 1250S ABS | 1250 | 2008 | | F | | |
| | | B GSF 1250 S ABS BANDIT | 1250 | 2007 | | F | | |
| | | B GSX 1250 FAT | 1250 | 2010 | | F | | |
| | | B VS 1400 GLPT/GLPV | 1400 | 1996 | 2002 | F | | |
| | | FDB583 | MOTO GUZZI | B NTX 750 | 750 | 1990 | | F |
| | | | YAMAHA | B RT 180 | 180 | 1990 | 1992 | F |
| | | | | B RT 180 | 180 | 1993 | 1994 | F |
| | | | | B XT 350 | 350 | 1988 | 1990 | F |
| | | | | B XT 350 | 350 | 1991 | | F |
| | | | | B XT 600 4 VALVES | 600 | 1986 | 1986 | F |
| | | | | B XT 600 4 VALVES | 600 | 1987 | 1989 | F |
| | | | | B XT 600 Z TENERE | 600 | 1985 | 1987 | F |
| | | | | B XT 600 Z TENERE | 600 | 1988 | 1990 | F |
| FDB591 | YAMAHA | | | B XV 400 VIRAGO | 400 | 1988 | | F |
| | B XV 535 VIRAGO | 535 | | 1987 | 1994 | F | | |
| FDB592 | CAGIVA | B ALA AZZURRA 350 GT | 350 | 1987 | | R | | |
| | | B ELEFANT 350 | 350 | 1985 | | F | | |
| | | B ELEFANT 650 | 650 | 1985 | | F | | |
| | | B DAKAR 750 | 750 | 1987 | | F | | |
| | | B ELEFANT 750 | 750 | 1987 | | F | | |
| | | B ELEFANT 750 | 750 | 1988 | 1989 | F | | |
| | DUCATI | B 350 INDIANA | 350 | 1987 | | F | | |
| | | B 650 INDIANA | 650 | 1987 | | F | | |
| | LAVERDA | B OR 600 | 600 | 1986 | | R | | |
| | | B OR 600 ATLAS | 600 | 1987 | | F | | |
| | MOTO GUZZI | B VT 650 TT BAJA | 650 | 1986 | | F | | |
| | MOTO MORINI | B WS 350 PRO ACTION | 350 | 1993 | | F | | |
| | YAMAHA | B DT 125 CHESTERFIELD SCOUT | 125 | 1988 | | F | | |
| | | B DT 125 LC TENERE | 125 | 1988 | | F | | |
| | FDB605 | SUZUKI | B GSX-R 400 | 400 | 1990 | | F | |



CC FROM TO FRONT / REAR

| Code | Brand | Model | CC | FROM | TO | FRONT / REAR | | |
|--------------------------------|------------------|-------------------------------------|---------|--------------------------------|------|--------------|------|---|
| | YAMAHA | B FZR 250 R | 250 | 1989 | | F | | |
| | | B FZR 400 RR - SP | 400 | 1991 | 1992 | F | | |
| | | B XP 500 T MAX | 500 | 2008 | 2011 | F | | |
| | | B XP 500 T MAX SV (Tech Max) | 500 | 2011 | | F | | |
| | | B XP 500 T MAX SV ABS (Tech Max) | 500 | 2011 | | F | | |
| | | B XP 530 T MAX | 530 | 2012 | | F | | |
| | | B XP 530 T MAX ABS | 530 | 2012 | | F | | |
| | | B FZ6 600 S2 / FZ6 600 FAZER S2 ABS | 600 | 2007 | | F | | |
| | | B FZS 600 FAZER | 600 | 1999 | 2003 | F | | |
| | | B YZF 600 R THUNDERCAT | 600 | 1995 | 1998 | F | | |
| | | B YZF 600 R6 | 600 | 1999 | 2002 | F | | |
| | | B YZF 600 R6 | 600 | 2003 | 2012 | F | | |
| | | B MT-07 ABS | 700 | 2014 | | F | | |
| | | B YZF 750 R7 (OW02) | 750 | 1999 | 2001 | F | | |
| | | B FAZER 8 (NO ABS/ABS) | 800 | 2011 | | F | | |
| | | B FZ8 ABS | 800 | 2011 | | F | | |
| | | B FZ8 NO ABS | 800 | 2011 | | F | | |
| | | B MT-09 ABS | 850 | 2014 | | F | | |
| | | B MT-09 SR ABS | 850 | 2014 | | F | | |
| | | B TDM 900 | 900 | 2002 | | F | | |
| | | B FZ1 1000 (NO ABS/ABS) | 1000 | 2006 | | F | | |
| | | B FZ1 1000 Fazer (NO ABS/ ABS) | 1000 | 2008 | | F | | |
| | | B FZS 1000 FAZER | 1000 | 2001 | 2005 | F | | |
| | | B YZF 1000 R1 | 1000 | 1998 | 2001 | F | | |
| | | B YZF 1000 R1 | 1000 | 2002 | 2003 | F | | |
| | | B YZF 1000 R1 | 1000 | 2004 | 2006 | F | | |
| | | B YZF 1000 THUNDERACE | 1000 | 1996 | 2001 | F | | |
| | | B BT 1100 BULLDOG | 1100 | 2002 | | F | | |
| | | B XT 1200 Z Supertenerer' ABS | 1200 | 2011 | | F | | |
| | | B FJR 1300 | 1300 | 2001 | 2002 | F | | |
| | | B FJR 1300/FJR 1300 A | 1300 | 2003 | 2005 | F | | |
| | | B XJR 1300 | 1300 | 2001 | 2012 | F | | |
| | | B XJR 1300 SP | 1300 | 1999 | 2001 | F | | |
| | | B MT-01 1670 | 1670 | 2005 | 2006 | F | | |
| | | B XV 1700 ROYAL STAR WARRIOR | 1700 | 2002 | | F | | |
| | | B XV 1900 A MIDNIGHT STAR | 1900 | 2006 | 2012 | F | | |
| | | FDB606 | HONDA | B VTZ 250 XELVIS | 250 | 1992 | | R |
| | | | SUZUKI | B DR 650 R-RS-RSE-DJEBEL-DAKAR | 650 | 1991 | 1995 | F |
| | | | | B DR 750 S BIG | 750 | 1988 | | F |
| | | | | B DR 750 S BIG | 750 | 1989 | | F |
| | | | | B DR 800 BIG S - SU | 800 | 1990 | | F |
| | | B DR 800 Z | | 800 | 1988 | 1989 | F | |
| | | FDB607 | SUZUKI | B RG 125 T - FV | 125 | 1992 | 1996 | R |
| B RG 125 U WOLF | 125 | | | 1992 | 1994 | R | | |
| B RG 200 GAMMA | 200 | | | 1993 | 1994 | R | | |
| B RG 200 WOLF | 200 | | | 1993 | 1994 | R | | |
| B RGV 250 | 250 | | | 1993 | | R | | |
| B DR 600 DJEBEL - DAKAR | 600 | | | 1989 | | R | | |
| B DR 650 R-RS-RSE-DJEBEL-DAKAR | 650 | | | 1991 | 1995 | R | | |
| B DR 650 RS-R DAKAR | 650 | | | 1990 | | R | | |
| B DR 750 S BIG | 750 | 1989 | | R | | | | |
| B DR 800 BIG S - SU | 800 | 1990 | | R | | | | |
| FDB624 | APRILIA | B RX 50 | 50 | 1992 | 1995 | R | | |
| | | B RX 50 | 50 | 1996 | 1998 | R | | |
| | | B TUAREG 50 | 50 | 1987 | | R | | |
| | BETA | B KR 50 | 50 | 1987 | | R | | |
| | | B KR 50 ADVENTURE | 50 | 1987 | | R | | |
| | FANTIC | B OASIS 50 .1 | 50 | 1986 | | R | | |
| | | B OASIS 50 .1 E.S. | 50 | 1987 | | R | | |
| | | B SPORT 125 HP1 (FM.265) | 125 | 1985 | | F | | |
| | GARELLI | B TIGER 125 XLE | 125 | 1986 | 1986 | R | | |
| | | B TX50 | 50 | 2010 | 2012 | R | | |
| | KEEWAY | B X-Ray 50 Supermoto | 50 | 2007 | 2009 | R | | |
| | | B TX125 | 125 | 2010 | 2012 | R | | |
| KSR MOTO BY GENERIC | Toxic 50 | 50 | 2007 | 2008 | R | | | |
| | B Trigger 125 SM | 125 | 2008 | 2009 | R | | | |
| | B Trigger 125 X | 125 | 2008 | 2009 | R | | | |
| | FDB625 | BS VILLA | B ZX 50 | 50 | 1993 | | F | |
| CAGIVA | | B CITY 50 | 50 | 1992 | 1994 | F | | |
| | | B GP800 | 800 | 2008 | | R | | |
| GILERA | | B GP 50 DIO | 50 | 1991 | 1995 | F | | |
| | | B SR 50 DIO | 50 | 1990 | | F | | |
| HONDA | | B SR 50 LIFE DIO | 50 | 1994 | | F | | |
| | | B SUPER DIO 50 SR | 50 | 1991 | 1992 | F | | |
| B SUPER DIO 50 ZX | | 50 | 1992 | | F | | | |
| B XR 50 DIO BAJA | | 50 | 1994 | | F | | | |
| B YUPY 50 | | 50 | 1992 | | F | | | |
| B ZX 50 LIFE DIO | 50 | 1994 | | F | | | | |

B = Bike
A = ATV
S = Snowmobile

B = Bike
A = ATV
S = Snowmobile



CC FROM TO FRONT / REAR

| Model | Year | CC | FROM | TO | FRONT / REAR | |
|--------------|------|---|------|------|--------------|-----|
| ...FDB625 | | | | | | |
| HSC | B | ZX DIO 50 | 50 | 1995 | F | |
| | B | TUR/ML 125 (Brasil) | 125 | | F | |
| | B | STRADA 200 (Brasil) | 200 | | F | |
| | B | HSC 01 50 | 50 | 1992 | F | |
| | B | SR 50 DIO | 50 | 1992 | F | |
| | B | ZR 50 | 50 | 1992 | F | |
| | B | ZX 50 DIO | 50 | 1992 | F | |
| SYM | B | CITY HOPPER 50 | 50 | 1999 | 2002 | F |
| | B | DD 50 CITY TREK | 50 | 2002 | F | |
| | | Orbit 50 | 50 | 2008 | 2009 | F |
| | B | SUPER FANCY 50 | 50 | 1996 | 2002 | F |
| | B | CINDERELLA 50 / 100 | 100 | 1999 | 2000 | F |
| | | Orbit 125 | 125 | 2008 | 2009 | F |
| FDB631 | | | | | | |
| CAGIVA | B | CANYON 500 | 500 | 1995 | R | |
| | B | CANYON 600 | 600 | 1996 | 1997 | R |
| | B | CANYON 900 I.E. | 900 | 1997 | R | |
| | B | ELEFANT 900 I.E.- GT - AC | 900 | 1991 | R | |
| | B | GRAN CANYON 900 | 900 | 1999 | R | |
| | B | ELEFANT 906 | 906 | 1990 | R | |
| | B | NAVIGATOR / NAVIGATOR T | 1000 | 2000 | 2005 | R |
| | B | NAVIGATOR 1000 | 1000 | 2001 | R | |
| CFMOTO | A | CF 500(Terracross) Left | 500 | 2011 | 2012 | F |
| | A | CF 500-3 (Rancher 500 Side x Side) Left | 500 | 2010 | 2012 | F |
| | A | CF 625-3 (Z6 Terracross) Left | 625 | 2011 | 2012 | F |
| CPI ATV | A | 250 XS | 250 | 2006 | R | |
| DAELIM | B | ROADWIN 125 | 125 | 2004 | R | |
| E-TON ATV | A | CXL 150 Yukon II/Challenger | 150 | 2002 | 2009 | R |
| | A | RXL 150 Viper | 150 | 2005 | 2006 | R |
| | A | RXL 150 Viper R | 150 | 2005 | 2009 | R |
| HONDA | B | NSR 50 | 50 | 1994 | 2000 | F |
| | B | NSR 80 R | 80 | 1993 | 1998 | F |
| | B | SUPRA 100 | 100 | 1999 | F | |
| | B | VT 125 SHADOW | 125 | 1999 | F | |
| | B | XL 125 VARADERO | 125 | 2001 | F | |
| | B | NSR 150 | 150 | 2001 | 2003 | F |
| HYOSUNG | B | Electric GEM 4.0 | | 2010 | F/R | |
| | B | MS3 125 | 125 | 2006 | F/R | |
| | B | MS3 250 | 250 | 2006 | F/R | |
| JONWAY | YY | YY 125 | 125 | 2008 | 2009 | F/R |
| | YY | YY 150 | 150 | 2008 | 2009 | F/R |
| | YY | YY 250/250 A | 250 | 2008 | 2009 | F/R |
| KAWASAKI | B | KAZER 115 R | 115 | 1998 | 1999 | F |
| | B | KLR 650 | 650 | 2008 | 0000 | R |
| KAWASAKI ATV | A | KLF 300 BAYOU 4x4 C Series (right) | 300 | 1989 | 2004 | F |
| | A | KLF 400 BAYOU 4x4 B Series (right) | 400 | 1993 | 1999 | F |
| | A | KVF 650 Brute Force 4X4i All models (Right) | 650 | 2007 | 2008 | F |
| | A | KRF 750 Tenx 4x4 All mod.(Right)-side by side | 750 | 2008 | F | |
| | A | KVF 750 BRUTE FORCE All Models (right) | 750 | 2005 | 2010 | F |
| MODENAS | B | KRISS 115 | 115 | 1999 | F | |
| QUADZILLA | A | RS 6 4WD Right | 600 | 2010 | 2011 | F |
| SUZUKI | B | AN 400 BURGMAN ABS (right) | 400 | 2009 | F | |
| | B | AN 400 BURGMAN NO ABS (right) | 400 | 2007 | F | |
| | B | DR 800 BIG all models | 800 | 1991 | R | |
| SUZUKI ATV | A | LT-F 300 KING QUAD (right) | 300 | 2002 | F | |
| | A | LT-R 450 KJZ (right) | 450 | 2006 | F | |
| | A | LT-A 500 F QUADMASTER (right) | 500 | 2000 | 2001 | F |
| | A | LT-F 500 FW/FX/F1 QUADRUNNER (right) | 500 | 1998 | 2002 | F |
| | A | LT-A 700 KING QUAD (right) | 700 | 2008 | F | |
| TRIUMPH | B | DAYTONA 750 SPORT | 750 | 1991 | 1992 | R |
| | B | TRIDENT 750 (left) | 750 | 1992 | 1998 | R |
| | B | TRIDENT 750 (right) | 750 | 1992 | 1998 | F |
| | B | DAYTONA 900 | 900 | 1993 | 1996 | R |
| | B | DAYTONA SPRINT 900 | 900 | 1994 | 1998 | R |
| | B | DAYTONA SPRINT 900 (left) | 900 | 1993 | R | |
| | B | DAYTONA SPRINT 900 (right) | 900 | 1993 | F | |
| | B | DAYTONA SUPER III 900 | 900 | 1994 | 1997 | R |
| | B | SPEED TRIPLE 900 | 900 | 1994 | R | |
| | B | TIGER 900 (left) | 900 | 1993 | 1998 | R |
| | B | TIGER 900 (right) | 900 | 1993 | 1998 | F |
| | B | TRIDENT 900 SPRINTER (left) | 900 | 1993 | 1998 | R |
| | B | TRIDENT 900 SPRINTER (right) | 900 | 1993 | 1998 | F |
| | B | TROPHY 900 | 900 | 1996 | 1998 | R |
| | B | TROPHY 900 (left) | 900 | 1993 | 1995 | R |
| | B | TROPHY 900 (right) | 900 | 1993 | 1995 | F |
| | B | SPRINT RS 955 (up to VIN 161317) double sided swing arm | 955 | 1999 | 2002 | R |
| | B | DAYTONA 1000 SPORT | 1000 | 1991 | 1992 | R |
| | B | TIGER SE ABS 1050 | 1050 | 2008 | R | |
| | B | TIGER SPORT | 1050 | 2013 | R | |



CC FROM TO FRONT / REAR

| Model | Year | CC | FROM | TO | FRONT / REAR | | |
|----------|------------|---------------------------------------|-----------|------|--------------|------|---|
| FDB636 | | | | | | | |
| ADLY | B | Jet 50 | 50 | 1996 | F | | |
| | B | Pista 50 | 50 | 1996 | F | | |
| | B | Predator 50 | 50 | 2000 | F | | |
| | B | Jet 100 | 100 | 1996 | F | | |
| | B | Predator 100 | 100 | 2000 | F | | |
| BETA | B | R-125 (Pit Bike) / R125 Minimotard 4T | 125 | 2008 | F | | |
| BS VILLA | B | AX 50 | 50 | 1993 | F | | |
| | B | GZ 50 | 50 | 1993 | F | | |
| FANTIC | B | BIG WHEEL 50 | 50 | 1994 | F | | |
| | B | GRINTA 50 | 50 | 1995 | F | | |
| | B | LEADER 50 | 50 | 1995 | F | | |
| | B | PONY 50 SR | 50 | 1993 | F | | |
| | B | QUEENIE 50 | 50 | 1995 | F | | |
| GARELLI | B | BIG WHEEL 50 | 50 | 1993 | 1994 | F | |
| | B | BIF RACING 50 | 50 | 1994 | F | | |
| | B | GRINTA | 50 | 1995 | F | | |
| | B | PONY 50 SR | 50 | 1992 | 1995 | F | |
| | B | QUEENIE | 50 | 1995 | F | | |
| ITALJET | B | BAZOOKA 2 50 | 50 | 1992 | 1997 | F | |
| | B | CRUISE 50 | 50 | 1995 | 1998 | F | |
| | B | PISTA 2 50 | 50 | 1992 | 1996 | F | |
| | B | SCOOOP 50 | 50 | 1993 | F | | |
| | B | YANKEE 8 50 | 50 | 1994 | F | | |
| MALAGUTI | B | BLOG 125 | 125 | 2008 | R | | |
| | B | CENTRO 125 ie | 125 | 2007 | R | | |
| | B | BLOG 160 | 160 | 2008 | R | | |
| MBK | B | TARGET 50 | 50 | 1992 | F | | |
| | B | BOOSTER 100 | 100 | 2000 | 2002 | F | |
| PEUGEOT | B | V-Clic 50 (4T) | 50 | 2008 | 2011 | F | |
| PGO | B | BIG MAX 50 | 50 | 1995 | 2004 | F | |
| | | EPS | 50 | 1997 | F | | |
| | | Tomado 50 | 50 | 1997 | F | | |
| | | Tomado 125 | 125 | 1997 | F | | |
| SINNIS | B | QM 50 QT-2T Falcon | 50 | 2008 | 2010 | F | |
| | B | QM 50 QT-6A Jet 50 | 50 | 2008 | 2010 | F | |
| YAMAHA | B | 50 AXIS | 50 | 1993 | F | | |
| | B | 50 AXIS PROFOOT | 50 | 1994 | F | | |
| | B | 50 TRUNK | 50 | 1994 | F | | |
| | B | CR 50 TARGET | 50 | 1991 | F | | |
| | B | CR 50 Z | 50 | 1992 | F | | |
| | B | JOG 50 (España) | 50 | 1988 | F | | |
| | B | JOG 50 (Italia) | 50 | 1993 | F | | |
| | B | RS 50 CHAMP | 50 | 1988 | F | | |
| | B | TZM 50 R | 50 | 1994 | F | | |
| | B | TZR 50 | 50 | 1990 | 1996 | F | |
| | B | TZR 80 | 80 | 1992 | F | | |
| | B | 90 AXIS (Brasil) | 90 | | F | | |
| | B | CR 90 TARGET | 90 | 1991 | F | | |
| | B | JOG 90 | 90 | 1990 | 1994 | F | |
| | B | JOG 90 (Brasil) | 90 | | F | | |
| | B | BW' S 100 | 100 | 2000 | 2002 | F | |
| FDB637 | YAMAHA | B | FZR 600 R | 600 | 1991 | 1995 | F |
| | B | FZR 1000 EX-UP | 1000 | 1991 | 1993 | F | |
| FDB659 | CANNONDALE | B | MX 400 | 400 | 2000 | 2002 | R |
| | B | 440 (All Enduro / MX Models) | 440 | 2003 | R | | |
| | B | S 440 SUPERMOTO | 440 | 2003 | R | | |
| KAWASAKI | B | KDX 125 A1 | 125 | 1990 | 1994 | R | |
| | B | KX 125 | 125 | 1989 | 1994 | R | |
| | B | KX 125 K2-K4 | 125 | 1995 | R | | |
| | B | KDX 200 E1 | 200 | 1989 | R | | |
| | B | KDX 200 E6 / H1 - H3 | 200 | 1994 | 2003 | R | |
| | B | KDX 200 SR | 200 | 1990 | 1993 | R | |
| | B | KDX 220 RA4 | 220 | 1997 | 2003 | R | |
| | B | KDX 250 SR-D | 250 | 1991 | 1993 | R | |
| | B | KLX 250 | 250 | 1993 | R | | |

3020

B = Bike
A = ATV
S = Snowmobile

FERODO
MOTORCYCLE PADS
Updated on 30th Jan 2014

B = Bike
A = ATV
S = Snowmobile



CC FROM TO FRONT / REAR

| Code | Brand | Model | CC | FROM | TO | FRONT / REAR | | | |
|------------------------------|--------------------------|------------------------------|-----------------------|--------------|-----------------------|--------------|------|------|---|
| ...FDB659 | SUZUKI | B KLX 250 | 250 | 1995 | 1997 | R | | | |
| | | B KX 250 | 250 | 1989 | 1994 | R | | | |
| | | B KX 250 | 250 | 1994 | 1995 | R | | | |
| | | B KR 500 ES | 500 | 1993 | | R | | | |
| | | B KX 500 | 500 | 1989 | 1994 | R | | | |
| | | B KX 500 | 500 | 1994 | 1995 | R | | | |
| | | B KLX 600 R | 600 | 1993 | | R | | | |
| | | B KLX 650 R | 650 | 1993 | 1997 | R | | | |
| | | B RM 125 K - L - M | 125 | 1989 | 1995 | R | | | |
| | | B TS 125 RK | 125 | 1989 | | R | | | |
| | | B TS 200 R | 200 | 1990 | 1994 | R | | | |
| | | B DJEBEL 250 | 250 | 1993 | | R | | | |
| | | B DR 250 S | 250 | 1990 | 2000 | R | | | |
| | | B RM 250 | 250 | 1991 | 1992 | R | | | |
| | | B RM 250 K - L - M | 250 | 1989 | 1994 | R | | | |
| | | B RM 250 R-S | 250 | 1993 | 1995 | R | | | |
| | | B RMX 250 | 250 | 2000 | 2002 | R | | | |
| | | B RMX 250 RP | 250 | 1989 | 1995 | R | | | |
| | | B RMX 250 TV | 250 | 1996 | 1998 | R | | | |
| | | B DR 350 | 350 | 1990 | | R | | | |
| | | B DR 350 S-SH-SE | 350 | 1993 | 1997 | R | | | |
| | | YAMAHA | B FZR 50 | 50 | 1992 | | R | | |
| | | | B WR 125 | 125 | 1990 | | R | | |
| | | | B WR 125 | 125 | 1991 | 1992 | R | | |
| | | | B YZ 125 all models | 125 | 1990 | 1997 | R | | |
| | | | B DT 200 WR | 200 | 1991 | | R | | |
| | | | B WR 200 B | 200 | 1991 | 1994 | R | | |
| | | | B SEROW 225 XT | 225 | 1993 | 1995 | R | | |
| | | | B TT 250 R | 250 | 1993 | 1999 | R | | |
| | | | B TY 250 Z SCOTTISH | 250 | 1996 | | R | | |
| | | | B WR 250 ZD/ZE/ZF | 250 | 1991 | 1994 | R | | |
| | | | B YZ 250 A - B | 250 | 1990 | 1992 | R | | |
| | | | B YZ 250 WRA/WRB | 250 | 1990 | 1994 | R | | |
| | | | B WR 400 F | 400 | 1998 | | R | | |
| | | | B WR 500 ZD - ZE | 500 | 1992 | 1993 | R | | |
| | | | B TT 600 | 600 | 1993 | | R | | |
| | | | B TT 600 R (SPORTKIT) | 600 | 1994 | 1997 | R | | |
| | | | FDB661 | HONDA | B CR 80 R | 80 | 2007 | | F |
| | | | | | B CR 85 R/RB | 85 | 2003 | 2007 | F |
| | | | | | B CRF 150 RB | 150 | 2008 | | F |
| | | | | HUSQVARNA | B 125 ALL MODELS 1993 | 125 | 1993 | | R |
| | | | | | B 250 ALL MODELS 1993 | 250 | 1993 | | R |
| | | | | KAWASAKI | B KX 80 S1 - V1 | 80 | 1992 | | F |
| | | | | | A KSF 250 A8 - A9 | 250 | 1994 | 1995 | R |
| | | | | KAWASAKI ATV | B RM 125 J | 125 | 1988 | | R |
| B TS 240 X | 240 | | | | 1988 | 1990 | F | | |
| B RM 250 H | 250 | 1987 | | | 1988 | R | | | |
| B RM 500 | 500 | 1987 | | | | R | | | |
| B DR 800 Z | 800 | 1988 | | | 1989 | R | | | |
| SUZUKI ATV | A LT 230 S QUADSPORT | 230 | | 1985 | 1988 | R | | | |
| | B 80/85 Minicross/Junior | 80 | | 1996 | 2000 | R | | | |
| YAMAHA | B YZ 80 | 80 | | 1993 | 2001 | R | | | |
| | B YZ 85 LW | 85 | | 2002 | 2012 | R | | | |
| | B YZ 125 | 125 | | 1989 | | R | | | |
| | B YZ 250 | 250 | | 1989 | | R | | | |
| | B YZ 360 | 360 | | 1989 | | R | | | |
| FDB662 | YAMAHA | B FZR 750 GENESIS | | 750 | 1987 | | F | | |
| | | B TDM 850 | | 850 | 1996 | 2001 | F | | |
| | | B XJ 900 F DIVERSION | | 900 | 1995 | | F | | |
| | | B FJ 1200 | | 1200 | 1988 | 1989 | F | | |
| | | B FJ 1200 ABS | | 1200 | 1991 | 1995 | F | | |
| | | B XJR 1200 | | 1200 | 1994 | | F | | |
| | | B XVZ 1300 AH/ATH ROYAL STAR | 1300 | 1996 | 2001 | F | | | |
| | | FDB663 | CAGIVA | B CANYON 600 | 600 | 1996 | 1997 | F | |
| B ELEFANT 750 | 750 | | | 1994 | | F | | | |
| B CANYON 900 I.E. | 900 | | | 1997 | | F | | | |
| B ELEFANT 900 I.E. - GT - AC | 900 | | | 1991 | | F | | | |
| B ELEFANT 906 | 906 | | | 1990 | | F | | | |
| HONDA | B CB 125 TT | | | 125 | 1990 | | F | | |
| | B CD 250 | | | 250 | 1988 | 1992 | F | | |
| | B NV 400 CUSTOM | | | 400 | 1988 | | F | | |
| | B NX 500 DOMINATOR | | | 500 | 1988 | 1996 | F | | |
| | B NV 600 C | | | 600 | 1988 | | F | | |
| | B VLX 600 SHADOW | | 600 | 1988 | 1991 | F | | | |
| | B VT 600 C SHADOW | | 600 | 1988 | 1993 | F | | | |
| | B XL 600 V TRANSALP | | 600 | 1991 | 1993 | F | | | |
| | B NX 650 DOMINATOR J - K | | 650 | 1988 | 1992 | F | | | |
| | B XRV 650 AFRICA TWIN | | 650 | 1988 | 1989 | F | | | |



CC FROM TO FRONT / REAR

| Code | Brand | Model | CC | FROM | TO | FRONT / REAR | |
|--------------------------------|--|---|------------------|------|------|--------------|---|
| FDB664 | BUPELL | B CBR 750 F HURRICANE | 750 | 1987 | 1988 | F | |
| | | B CBR 750 SUPER AERO | 750 | 1988 | 1989 | F | |
| | | B VFR 750 F INTERCEPTOR | 750 | 1986 | 1987 | F | |
| | | B GL 1500 GOLD-ASPENCADE | 1500 | 1992 | | F | |
| | | B GL 1500 SE GOLD WING | 1500 | 1993 | 2000 | F | |
| | | B GL 1520 / 6 GOLD WING | 1500 | 1988 | 1991 | F | |
| | CAGIVA | B Blast 500 | 500 | 2000 | 2001 | F | |
| | | B 900 CAT | 900 | 1993 | | R | |
| | | B NAVIGATOR 1000 | 1000 | 2001 | | F | |
| | | DAELIM | B ROADWIN 125 | 125 | 2004 | | F |
| | | | B ROCKET 125 | 125 | 1999 | 2001 | F |
| | | | B VL 125 DAYSTAR | 125 | 2003 | | F |
| HONDA | B VS 125 CUSTOM | 125 | 2001 | | F | | |
| | B VT 125 MAGNA | 125 | 1997 | | F | | |
| | B SH125i ABS | 125 | 2014 | | F | | |
| | B SH150i ABS | 150 | 2014 | | F | | |
| | B CBR300R | 300 | 2014 | | F | | |
| | B SILVERWING 400 | 400 | 2006 | | R | | |
| | B CBF 500 | 500 | 2004 | | F | | |
| | B CBF 600 S/ABS | 600 | 2011 | | F | | |
| | B CBR 600 F / ABS | 600 | 2011 | | F | | |
| | B CBR 600 F3 | 600 | 1995 | 1998 | F | | |
| | B SILVER WING 600 | 600 | 2001 | | R | | |
| | B CB650F | 650 | 2014 | | F | | |
| | B CBR650F | 650 | 2014 | | F | | |
| | B FMX 650 | 650 | 2005 | 2006 | F | | |
| | B FMX 650 | 650 | 2007 | | F | | |
| | B CTX700 | 700 | 2014 | | F | | |
| | B CTX700N | 700 | 2014 | | F | | |
| | B NC 700 S.X (manual gearbox - No ABS) | 700 | 2012 | | F | | |
| | B 750 BLACK SPIRIT | 750 | 2011 | | F | | |
| | B 750 BLACK WIDOW | 750 | 2001 | | F | | |
| | B CB 750 NIGHTHAWK | 750 | 1991 | | F | | |
| | B INTEGRA 750 DCT | 750 | 2014 | | F | | |
| | B NC750S | 750 | 2014 | | F | | |
| | B NC750X | 750 | 2014 | | F | | |
| | B VFR 750 F | 750 | 1990 | 1993 | R | | |
| B VFR 750 F | 750 | 1994 | 1997 | R | | | |
| B VFR 750 F INTERCEPTOR | 750 | 1988 | 1989 | F/R | | | |
| B VT 750 S | 750 | 2012 | | F | | | |
| B VFR 950 F CARAT | 950 | 1992 | | R | | | |
| B CB 1000 SUPERFOUR (BIG FOUR) | 1000 | 1992 | | R | | | |
| B VT 1300 CX | 1300 | 2010 | | F | | | |
| KYMCO | B VENOX 250 | 250 | 2000 | | F | | |
| | TRIUMPH | B BONNEVILLE 800 / T100 | 100 | 2001 | | F | |
| | | B AMERICA 865 | 865 | 2007 | | F | |
| | | B AMERICA 865 (12 Spoke Cast wheel) | 865 | 2010 | | F | |
| | | B BONNEVILLE California Street Racer 865 | 865 | 2008 | | F | |
| | | B BONNEVILLE T100 865 | 865 | 2005 | | F | |
| | B SCRAMBLER 865 | 865 | 2006 | | F | | |
| | B SCRAMBLER 900 | 900 | 2010 | | F | | |
| | B THRUXTON 900 | 900 | 2008 | | F | | |
| | B SPEEDMASTER | 1000 | 2012 | | F | | |
| | B TIGER XC | 1050 | 2011 | | F | | |
| | YAMAHA | B WR 125 R / X | 125 | 2008 | | F | |
| | | B X-CITY 125 | 125 | 2008 | | F | |
| | | B X-MAX 125 (Nissin Front Caliper) NO ABS | 125 | 2010 | | F | |
| | | B X-MAX 125 ABS | 125 | 2011 | | R | |
| B X-CITY 250 | | 250 | 2008 | | F | | |
| B X-MAX 250 ABS | 250 | 2011 | | F | | | |
| FDB665 | HONDA | B NV 400 CUSTOM | 400 | 1988 | | R | |
| | | B CBR 500 | 500 | 1987 | 1990 | R | |
| | | B VF 500 FE - F2E | 500 | 1984 | | R | |
| | | B VF 500 FF - F2F | 500 | 1984 | | R | |
| | | B CBR 600 F/R HURRICANE | 600 | 1987 | 1990 | R | |
| | | B CBX 750 FE | 750 | 1983 | 1984 | R | |
| | | B VF 750 F-FD-FE-MAGNA-SABRE-INT | 750 | 1982 | | R | |
| | | B VFR 750 F INTERCEPTOR | 750 | 1986 | 1987 | R | |
| | | B VF 1000 - 2 | 1000 | 1984 | 1986 | R | |
| | | B VF 1000 BOL D'OR | 1000 | 1984 | 1986 | R | |
| | | B VF 1000 F - FE | 1000 | 1984 | 1986 | R | |
| | | B GL 1520 | 1500 | 1988 | 1989 | F | |
| B GL 1520 / 6 GOLD WING | 1500 | 1988 | 1991 | R | | | |
| FDB666 | YAMAHA | B SRX 400 | 400 | 1990 | 1996 | F | |
| | | B FZR 600 R | 600 | 1990 | | F | |
| | | B YZF 600 R | 600 | 2000 | | F | |
| | | B FZR 1000 R - EX-UP | 1000 | 1989 | 1990 | F | |
| | | B YMX 1200 12N V - MAX | 1200 | 1993 | 2003 | F | |

B = Bike
A = ATV
S = Snowmobile

B = Bike
A = ATV
S = Snowmobile



| | | | CC | FROM | TO | FRONT / REAR | | |
|--|---|--|-------------------------|--------------|------|--------------|------|---|
| FDB672 | HERCULES (SACHS) | B SAMBA SR 80 | 80 | 1993 | | F | | |
| | | B SAMBA SR 125 | 125 | 1993 | | F | | |
| | HONDA | B NH 50 LEAD | 50 | 1994 | | F | | |
| | | B YUPY 90 (NH 90) | 90 | 1990 | | F | | |
| | KYMCO | B COBRA 50 / RACER & CROSS | 50 | 1999 | 2006 | F | | |
| | | B CURIO 50 | 50 | 1994 | | F | | |
| | | B CX 50 SUPER | 50 | 1994 | 1997 | F | | |
| | | B K 12 50 | 50 | 1995 | | F | | |
| | | B KB 50 | 50 | 1994 | 2000 | F | | |
| | | B SCOUT 50 | 50 | 1998 | | F | | |
| | | B SNIPER 50 DD | 50 | 1994 | 1996 | F | | |
| | | B TOP BOY 50 | 50 | 2000 | | F | | |
| | | B ZK 50 SUPERFEVER | 50 | 1999 | | F | | |
| | | B ZX 50 FEVER | 50 | 1995 | | F | | |
| | PEUGEOT | B SV 50 GEO (all models) | 50 | 1993 | | F | | |
| | | B SV 125 GEO | 125 | 1993 | | F | | |
| | FDB673 | APRILIA | B TUAREG 125 RALLY | 125 | 1991 | | F | |
| | | | B DR 250 S | 250 | 1985 | | F | |
| | | SUZUKI | B DR 500 S | 500 | 1989 | | F | |
| | | | B DR 600 DJEBEL - DAKAR | 600 | 1989 | | F | |
| B DR 600 R DAKAR-DJEBEL | | | 600 | 1987 | 1988 | F | | |
| B DR 600 S | | | 600 | 1989 | | F | | |
| B DR 600 S - SU | | | 600 | 1985 | 1986 | F | | |
| B SP 600 | | | 600 | 1985 | | F | | |
| B DR 650 RS-R DAKAR | | | 650 | 1990 | | F | | |
| B LS 650 P | | | 650 | 1993 | | F | | |
| B VS 800 S INTRUDER | | | 800 | 1991 | | F | | |
| FDB677 | | | APRILIA | B CLASSIC 50 | 50 | 1992 | | F |
| | | | | B MX 50 | 50 | 2003 | | F |
| | | | | B RS 50 | 50 | 1999 | 2003 | F |
| | B RS 50 / TUONO 50 | 50 | | 2004 | 2006 | F | | |
| | B RX 50 | 50 | | 1992 | 1995 | F | | |
| | B RX 50 RACING | 50 | | 2004 | | F | | |
| | B SX 50 | 50 | | 2007 | | F | | |
| | B SX 50 | 50 | | 2008 | | F | | |
| | B ETX 125 | 125 | | 1998 | | F | | |
| | B PEGASO 125 KAT | 125 | | 1994 | | F | | |
| | B RX 125 | 125 | | 1992 | 1994 | F | | |
| | BENELLI | B Velvet 125 (13 Front Wheel/Touring) | | 125 | 2008 | 2012 | F | |
| | | B Velvet 150 (13 Front Wheel/Touring) | 150 | 2008 | 2012 | F | | |
| | BETA | B VELVET 250 | 250 | 1999 | | F | | |
| B RR 50 Enduro | | 50 | 2004 | 2007 | F | | | |
| B RR 50 Enduro | | 50 | 2008 | 2012 | F | | | |
| B RR 50 Enduro Factory | | 50 | 2012 | | F | | | |
| B RR 50 Enduro Racing | | 50 | 2009 | 2011 | F | | | |
| B RR 50 Motard (Spoke Wheel) | | 50 | 2009 | 2012 | F | | | |
| B RR 50 Motard Skull | | 50 | 2011 | | F | | | |
| B RR 50 Standard | | 50 | 2005 | 2008 | F | | | |
| B RR Motard 50 Track (Cast Wheels) | | 50 | 2008 | 2012 | F | | | |
| B ALP 125 4T | | 125 | 2005 | 2012 | F | | | |
| B RE 125 4T Enduro | | 125 | 2009 | 2010 | F | | | |
| B RR 125 4T Enduro (A/C) | | 125 | 2009 | 2011 | F | | | |
| B RR 125 4T Enduro (L/C) | | 125 | 2011 | | F | | | |
| B RR 125 4T Motard (A/C - Spoke Wheel) | | 125 | 2008 | 2012 | F | | | |
| B RR 125 4T Motard (L/C - Cast Wheel) | | 125 | 2011 | 2012 | F | | | |
| B Urban 125 | | 125 | 2008 | 2012 | F | | | |
| B Urban 125 Special | | 125 | 2009 | 2012 | F | | | |
| B ALP 200 4T | | 200 | 2005 | 2012 | F | | | |
| B URBAN 200 | | 200 | 2008 | 2012 | F | | | |
| B Urban 200 Special | | 200 | 2009 | 2012 | F | | | |
| B ALP 4.0 350 | | 350 | 2004 | | F | | | |
| B ALP 4.0 350 4T | | 350 | 2005 | 2012 | F | | | |
| B PAMPERA 250 | | 250 | 2002 | | F | | | |
| GASGAS | | B DNA 50 | 50 | 2001 | | F | | |
| | | B RUNNER 125 | 125 | 2000 | | F | | |
| | | B RUNNER 125 FX - SP | 125 | 2000 | | F | | |
| | | B RUNNER 125 VX 4T | 125 | 2001 | | F | | |
| | | B RUNNER 180 | 180 | 2000 | | F | | |
| | B RUNNER 180 FXR - SP | 180 | 1999 | | F | | | |
| | B RUNNER 180 VXR 4T | 180 | 2001 | | F | | | |
| | B RUNNER 200 VXR | 200 | 2004 | | F | | | |
| | HONDA | B HM 50 CRE | 50 | 2006 | | F | | |
| | | B CRE 50 (from frame nr.2819) | 50 | | | F | | |
| | HONDA-HM ITALIA | B ELYSEO 125 | 125 | 2003 | | F | | |
| | | B Elystar 125 (5 bolt fixing front disc) | 125 | 2006 | 2007 | F | | |
| | | B Geopolis 125 (AJP Caliper/ABS) | 125 | 2007 | 2012 | F | | |
| | | B Geopolis 125 Executive (AJP Caliper/Non ABS) | 125 | 2007 | 2012 | F | | |
| PEUGEOT | B Geopolis 125 Urban (AJP Caliper/ ABS) | 125 | 2007 | 2012 | F | | | |



| | | | CC | FROM | TO | FRONT / REAR |
|--|---|--|------|------|------|--------------|
| PIAGGIO | B SATELIS 125 | Satelis 125 4V Executive/Premium/City (4 stroke/4 valve) | 125 | 2006 | | F |
| | | Satelis 125 Blacksat (AJP Calipers) | 125 | 2010 | 2011 | F |
| | B SATELIS 125 COMPRESSOR (4T) | Satelis 125 Compressor (4T) | 125 | 2006 | 2011 | F |
| | | Satelis 125 RS (AJP Caliper) | 125 | 2007 | 2011 | F |
| | B SATELIS 125 WHITESAT (AJP CALIPERS) | Satelis 125 Urban (AJP Caliper/ABS) | 125 | 2007 | 2011 | F |
| | | Satelis 125 Whitesat (AJP Calipers) | 125 | 2010 | 2011 | F |
| | B ELYSEO 150 | ELYSEO 150 | 150 | 2001 | | F |
| | | Elystar 150 (5 bolt fixing front disc) | 150 | 2006 | 2007 | F |
| | B GEOPOLIS 250 EXECUTIVE (AJP CALIPER/ NON ABS) | Geopolis 250 Executive (AJP caliper/ Non ABS) | 250 | 2007 | 2011 | F |
| | | Geopolis 250 Urban (AJP caliper/ ABS) | 250 | 2007 | 2011 | F |
| | B GEOPOLIS 250 URBAN (AJP CALIPER/ABS) | Satelis 250 Urban (AJP Caliper/ABS) | 250 | 2007 | 2012 | F |
| | | Geopolis 400 Urban (AJP Caliper/ ABS) | 400 | 2007 | 2012 | F |
| | B BEVERLY 125 (GRIMECA CALIPER) | BEVERLY 125 (Grimeca caliper) | 125 | 2001 | | F/R |
| | | DNA 125 | 125 | 2000 | 2003 | F |
| | B HEXAGON 125 LX | HEXAGON 125 LX | 125 | 1998 | 1999 | F |
| | | SKIPPER 125 ST 4T | 125 | 1998 | 1999 | F |
| | B SKIPPER ST 125 (GRIMECA CALIPER) | SKIPPER ST 125 (Grimeca caliper) | 125 | 2000 | | F |
| | | VESPA GRANTURISMO 125 (Grimeca caliper) | 125 | 2003 | | F |
| | B SKIPPER 150 ST 4T | SKIPPER 150 ST 4T | 150 | 1998 | 1999 | F |
| | | SKIPPER ST 150 (Grimeca caliper) | 150 | 2000 | | F |
| B DNA 180 | DNA 180 | 180 | 2001 | 2002 | F | |
| | HEXAGON 180 LX | 180 | 1998 | 1999 | F | |
| B SUPER HEXAGON 180 GTX | SUPER HEXAGON 180 GTX | 180 | 2000 | | F | |
| | BEVERLY 200 | 200 | 2001 | | F/R | |
| B VESPA GRANTURISMO 200 (GRIMECA CALIPER) | VESPA GRANTURISMO 200 (Grimeca caliper) | 200 | 2003 | | F | |
| | BEVERLY 250 (Grimeca caliper) | 250 | 2002 | 2006 | F/R | |
| B HEXAGON 250 | HEXAGON 250 | 250 | 1998 | 1999 | F | |
| | SUPER HEXAGON 250 GTX | 250 | 2001 | 2002 | F | |
| B MRX 50 PRO / TOP | MRX 50 PRO / TOP | 50 | 2004 | 2008 | F | |
| | RS2 NKD | 50 | 2005 | | F | |
| B SMX 50 PRO | SMX 50 PRO | 50 | 2004 | | F | |
| | RS2 125 / PRO | 125 | 2009 | | F | |
| B ZX 125 | ZX 125 | 125 | 2001 | | F | |
| | XT 125 X | 125 | 2008 | | F | |
| FDB680 | APRILIA | B AMICO 50 all models | 50 | 1992 | | F |
| | | B AREA 51 50 | 50 | 1998 | | F/R |
| | B GULLIVER 50 | GULLIVER 50 | 50 | 1995 | 1998 | F |
| | | HABANA 50 all models | 50 | 1998 | | F |
| | B MOJITO CUSTOM 50 | MOJITO CUSTOM 50 | 50 | 2004 | | F |
| | | RALLY 50 | 50 | 1995 | | F |
| | B RALLY 50 LIQUID COOLED | RALLY 50 liquid cooled | 50 | 1996 | | F/R |
| | | SCARABEO 50 / 50 Street 4T-2T | 50 | 1996 | | F |
| | B SCARABEO 50 DELUXE | SCARABEO 50 DELUXE | 50 | 1998 | | F/R |
| | | SONIC 50 GP | 50 | 1997 | | F |
| | B SONIC 50 SPICE | SONIC 50 SPICE | 50 | 1997 | | F |
| | | SR 50 2000 | 50 | 2000 | | F |
| | B SR 50 FACTORY | SR 50 FACTORY | 50 | 2004 | | F |
| | | SR 50 STEALTH - RACING | 50 | 1997 | 1999 | F/R |
| B SR 50 WWW - NETSCAPER | SR 50 WWW - NETSCAPER | 50 | 1997 | 2001 | F/R | |
| | SCARABEO 70 | 70 | 1994 | | F | |
| B LEONARDO 125 | LEONARDO 125 | 125 | 1995 | 1996 | R | |
| | LEONARDO 125 | 125 | 1997 | 1998 | R | |
| B MOJITO CUSTOM 125 | MOJITO CUSTOM 125 | 125 | 2004 | | F | |
| | SR STREET 50 | 125 | 2003 | | F | |
| B LEONARDO 150 | LEONARDO 150 | 150 | 1997 | 1998 | R | |
| | RS 250 | 250 | 1997 | | R | |
| B BYTE 50 | BYTE 50 | 50 | 1996 | | F | |
| | CAROSELLO 50 | 50 | 1997 | | F | |
| B HACKER 50 | HACKER 50 | 50 | 1996 | | F | |
| | HACKER 50 | 50 | 2000 | | F | |
| B SCHEGGIA 50 | SCHEGGIA 50 | 50 | 1998 | | F | |
| | 491 50 GT | 50 | 1997 | | F | |
| B 491 50 SPORT - RACING | 491 50 SPORT - RACING | 50 | 1997 | | F/R | |
| | K2 50 all models | 50 | 1998 | 2001 | F | |
| B NAKED 50 | NAKED 50 | 50 | 1998 | | F | |
| | Pepe 50 (5 Spoke Cast Wheel/2T/4T) | 50 | 2010 | 2012 | F | |
| B PEPE 50/50 LX/CLASSIC (7 Spoke Cast Wheel) | PEPE 50/50 LX/Classic (7 Spoke Cast Wheel) | 50 | 1999 | 2013 | F | |
| | K2 100 BIPOSTO | 100 | 1999 | | F | |
| B 666 125 | 666 125 | 125 | 1998 | | R | |
| | ADIVA 125 | 125 | 1999 | | F | |
| B VELVET 125 | VELVET 125 | 125 | 1999 | 2008 | F/R | |
| | ADIVA 150 | 150 | 1999 | | F | |
| B VELVET 150 | VELVET 150 | 150 | 1999 | 2008 | F/R | |
| | ARK 50 all models | 50 | 1996 | | F/R | |
| B CH 50 | CH 50 | 50 | 1996 | | F | |
| | CHRONO 50 13 | 50 | 1994 | | F | |
| B CHRONO 50 502 | CHRONO 50 502 | 50 | 1997 | | F | |



CC FROM TO FRONT / REAR

...FDB680

| | | | | | |
|---------------------|---|-----|------|------|-----|
| B | QUADRA 50 | 50 | 1995 | | F |
| CAGIVA | B NUVOLA 50 | 50 | 2000 | | F |
| | B NUVOLA 125 | 125 | 2000 | | F |
| DERBI | B RUNNER 50 2T Blacksoul | 50 | 2011 | | R |
| | B SONAR 125 | 125 | 2011 | | F |
| GILERA | B EASY MOVING 50 | 50 | 1995 | 1996 | F |
| | B ICE 50 | 50 | 2001 | 2003 | F |
| | B NRG 50 | 50 | 1995 | 2003 | F |
| | B RUNNER 50 | 50 | 1997 | 1998 | F |
| | B RUNNER 50 SP / SKP | 50 | 1999 | 2005 | F |
| | B STALKER 50 | 50 | 1997 | | F |
| | B STORM 50 | 50 | 1994 | 1995 | F |
| | B TYPHOON 50 | 50 | 1993 | 1995 | F |
| | B TYPHOON 50 | 50 | 1996 | | F |
| | B TYPHOON 80 | 80 | 1995 | | F |
| | B TYPHOON 125 | 125 | 1995 | | F |
| | B TYPHOON 125 XR KAT | 125 | 2000 | | F |
| HERCULES (SACHS) | B GIPSY 50 | 50 | 1993 | | F |
| HONDA | B SFX 50 | 50 | 1995 | | F |
| | B SH 50 SCOOPY / FIFTY | 50 | 1997 | 2003 | F |
| | B SKY 50 | 50 | 1997 | | F |
| | B SKY 50 VETRO | 50 | 2000 | | F |
| | B SXR 50 | 50 | 1997 | 1999 | F |
| | B X8R 50 S | 50 | 1998 | | F |
| | B X8R 50 X | 50 | 1998 | | F |
| | B SH 100 Scoopy | 100 | 1996 | 2001 | F |
| HYOSUNG | B GRAND PRIX 125 | 125 | 1998 | | F |
| | B HYPER 125 | 125 | 1999 | | F |
| | B GRAND PRIX 150 | 150 | 1998 | | F |
| ITALJET | B FORMULA 50 | 50 | 1994 | 1996 | R |
| | B FORMULA 80 | 80 | 1994 | | R |
| | B FORMULA 125 | 125 | 1994 | 1996 | R |
| KEEWAY | Goccia 50 | 50 | 2008 | 2011 | F |
| KSR MOTO BY GENERIC | Onyx 50 (2T/All Models) | 50 | 2010 | 2012 | F |
| KTM | B KROSS 50 | 50 | 1996 | | F |
| MACAL | B 50 FLASH | 50 | 1999 | | F |
| MALAGUTI | B CIAK 50 / CIAK Master 4T 50 | 50 | 1999 | | F |
| | B F 10 50 JETLINE /F10 WAP JETLINE | 50 | 1994 | | F |
| | B F 12 50 PHANTOM (liquid cooled) | 50 | 1999 | | R |
| | B F 12 50 PHANTOM Twin disk | 50 | 1998 | | F/R |
| | B F 15 50 FIREFOX Twin disk | 50 | 1998 | | R |
| | B F12 R 50 PHANTOM Ducati | 50 | 2008 | | F/R |
| | B YESTERDAY 50 | 50 | 1998 | | F |
| | B CIAK 100 | 100 | 1999 | 2003 | F |
| | B F 12 100 PHANTOM | 100 | 1999 | 2003 | F/R |
| | B F 18 WARRIOR 125 | 125 | 2001 | 2003 | F/R |
| | B F 18 WARRIOR 150 | 150 | 2001 | 2003 | F/R |
| MBK | B FLIPPER 50 | 50 | 1998 | | F |
| | B STUNT 50 | 50 | 2000 | | F |
| | B NITRO 100 | 100 | 2000 | 2003 | F |
| | B OVETTO 100 | 100 | 2000 | 2002 | F |
| PEUGEOT | B BUXI 50 | 50 | 1994 | 1997 | F |
| | Ludix Pro (4T / 14" Wheels/J.Juan Caliper) | 50 | 2011 | | F |
| | B SPEEDAKE 50 | 50 | 1995 | 2001 | F |
| PGO | Rodo Show 50 | 50 | 2000 | 2009 | F |
| PIAGGIO | B FREE 50 | 50 | 2002 | | F |
| | B LIBERTY S50 4T | 50 | 2008 | | F/R |
| | B NRG 50 | 50 | 1994 | 1995 | F |
| | B NRG 50 | 50 | 1996 | 1997 | F |
| | B NRG 50 DT MC3 | 50 | 2001 | 2005 | F |
| | B NRG 50 MC2 | 50 | 1996 | 1997 | F |
| | B NRG 50 MC2 | 50 | 1998 | | F |
| | B NRG 50 MC2 DD | 50 | 1998 | | F |
| | B NRG 50 MC3 | 50 | 1999 | 2001 | F |
| | B NRG 50 MC3 / EXTREME DD | 50 | 1999 | 2001 | F |
| | B NRG 50 MC3 DD | 50 | 2001 | 2005 | F |
| | B NRG 50 Power DD | 50 | 2010 | | R |
| | B NTT 50 | 50 | 1996 | | F |
| | B NTT 50 | 50 | 2000 | | F |
| | B TPH 50 X-R | 50 | 2005 | | F |
| | B TYPHOON 50 | 50 | 1993 | 1999 | F |
| | B TYPHOON XR 50 | 50 | 2000 | 2007 | F |
| | B XR 50 | 50 | 2000 | | F |
| | B ZIP 50 BASE (Disc) | 50 | 1995 | 1996 | F |
| | B ZIP 50 Electric | 50 | 2002 | | F |
| | B ZIP 50 FAST RIDER | 50 | 1993 | 1997 | F |
| | B TYPHOON 80 | 80 | 1993 | 1996 | F |
| | B FREE 100 | 100 | 2002 | | F |



CC FROM TO FRONT / REAR

FDB694

| | | | | | |
|---------|---------------------------------|-----|------|------|-----|
| B | HEXAGON 125 | 125 | 1994 | 1997 | F |
| B | TYPHOON 125 / XR 125 | 125 | 1995 | 2000 | F |
| B | TYPHOON 125 / XR 125 | 125 | 1999 | 2003 | F |
| B | HEXAGON 150 | 150 | 1994 | 1999 | F |
| RIZZATO | B ATALA HACKER 50 | 50 | 1995 | | F |
| SUZUKI | B AY 50 KATANA (Bremao caliper) | 50 | 1997 | | F |
| YAMAHA | B 50 BREEZE | 50 | 1994 | 1996 | F |
| | B 50 SPY | 50 | 1996 | 1998 | F |
| | B 50 ZUMA | 50 | 1996 | | F |
| | BW's / ZUMA II 50 | 50 | 1995 | | F |
| | BW's 50 | 50 | 2004 | | F |
| | BW's NAKED 50 | 50 | 2003 | 2004 | F |
| | BW's NAKED 50 | 50 | 2009 | | F |
| | CS 50 Jog R | 50 | 2002 | 2005 | F |
| | CS 50 Jog R | 50 | 2006 | 2011 | F |
| | CS 50 Z (Jog RR) | 50 | 2003 | 2005 | F |
| | CS 50 Z (Jog RR) | 50 | 2006 | 2012 | F |
| | NEO'S 2T 50 | 50 | 2007 | | F |
| | NEO'S 4T 50 | 50 | 2009 | | F |
| | NS 50 AEROX R | 50 | 2013 | | F |
| | NS 50 AEROX R NAKED | 50 | 2013 | | F |
| | YN 50 NEO'S | 50 | 2007 | 2006 | F |
| | YN 50 R NEO'S | 50 | 1997 | 2002 | F |
| B | MAXTER 150 | 150 | 2001 | 2003 | F |
| APRILIA | B AF1 50 AE all models | 50 | 1987 | | R |
| | B AF1 50 EUROPA | 50 | 1991 | | R |
| | B AF1 50 FUTURA | 50 | 1990 | | R |
| | B ET 50 AE | 50 | 1987 | | R |
| | B MX 50 | 50 | 2003 | | R |
| | B RS 50 | 50 | 1993 | 1998 | R |
| | B RS 50 | 50 | 1999 | 2003 | R |
| | B RS 50 / TUONO 50 | 50 | 2004 | 2006 | R |
| | B RX 50 | 50 | 1990 | 1991 | R |
| | B RX 50 RACING | 50 | 2004 | | R |
| | B SX 50 | 50 | 2007 | | R |
| | B TUAREG 50 RALLY | 50 | 1990 | | R |
| | B CLIMBER 240 | 240 | 1989 | 1990 | R |
| | B CLIMBER 275 | 275 | 1989 | 1992 | R |
| BETA | B R 150 (Minicross /4T/49cc) | 50 | 2010 | 2012 | R |
| CAGIVA | B BLUES 50 | 50 | 1989 | | R |
| | B COCIS 50 | 50 | 1988 | | R |
| | B LUCKY EXPLORER 50 | 50 | 1988 | | R |
| | B W4 PRO ACTION 50 | 50 | 1994 | | R |
| | B COCIS 80 | 80 | 1989 | | R |
| | B W4 PRO ACTION 80 | 80 | 1994 | | R |
| | B ALETTA 125 ELECTRA | 125 | 1984 | | F |
| | B ALETTA 125 ELECTRA | 125 | 1988 | | F |
| | B ALETTA 125 ELECTRA | 125 | 2000 | | F |
| | B ALETTA 125 ELECTRA CLASSIC | 125 | 1987 | | F/R |
| | B ALETTA 125 ORO S2 | 125 | 1986 | | F/R |
| | B BLUES 125 | 125 | 1993 | | R |
| | B CRUISER 125 | 125 | 1987 | | R |
| | B DAKAR 125 | 125 | 1985 | | F |
| | B ELEFANT 125 | 125 | 1984 | | F |
| | B ELEFANT 125 | 125 | 1985 | 1986 | F |
| | B ELEFANT 125 | 125 | 2000 | | F |
| | B GP 125 S ALETTA ORO | 125 | 1985 | | F/R |
| | B N 125 | 125 | 1991 | | R |
| | B SST 125 | 125 | 1981 | | F |
| | B SST 125 LOW RIDER | 125 | 1983 | | F |
| | B SST 125 spoke wheel | 125 | | | F |
| | B SXT 125 | 125 | 1982 | | F |
| | B TAMANACO 125 | 125 | 1989 | | R |
| | B W8 125 PRO ACTION | 125 | 1996 | | R |
| | B WSXT 125 ALETTA ROSSA | 125 | 1983 | | F |
| | B XSST 125 | 125 | 1981 | | F |
| | B XSST 125 | 125 | 2000 | | F |
| | B ELEFANT 200 | 200 | 1985 | | F |
| | B ELEFANT 200 | 200 | 1988 | | F |
| | B ELEFANT 200 A.E. | 200 | 1986 | | F |
| DERBI | B GPR 50 SPORT | 50 | 1996 | | R |
| | B GPR 75 SPORT | 75 | 1990 | | R |
| FANTIC | B CABALLERO 50 RC | 50 | 1990 | | R |
| | B KOALA 50 | 50 | 1987 | | F/R |
| | B RAIDER 125 | 125 | 1983 | | F |
| | B RAIDER 125 LC | 125 | 1983 | | F |
| GARELLI | B GTA 125 | 125 | 1986 | 2000 | F/R |
| | B GTA 125 | 125 | 1986 | 1986 | F |

B = Bike
A = ATV
S = Snowmobile

B = Bike
A = ATV
S = Snowmobile



| | | | CC | FROM | TO | FRONT / REAR | |
|-----------|-------------|---|-----------------------------------|------|------|--------------|---|
| ...FDB694 | GILERA | B | NGR 250 | 250 | 1985 | F | |
| | HRD | B | FORMULA 125 LS | 125 | 1986 | F/R | |
| | | B | PLATINO 125 SL | 125 | 1986 | F/R | |
| | | B | SILVER 125 HOUSE | 125 | 1986 | F/R | |
| | KTM | B | SX 60 / 65 | 60 | 2000 | 2001 | R |
| | | B | SX 65 | 65 | 2002 | 2003 | R |
| | LAVERDA | B | 125 (Brembo caliper) | 125 | 1982 | F | |
| | | B | GS 125 LESMO | 125 | 1990 | F/R | |
| | | B | LB 125 CUSTOM | 125 | | F | |
| | | B | LB 125 STRADA | 125 | | F | |
| | | B | LB 125 UNO | 125 | | F | |
| | MALANCA | B | MARK 125 | 125 | 1985 | F | |
| | | B | OB ONE 125 6M | 125 | 1985 | F/R | |
| | | B | OB ONE 125 RACING | 125 | 1985 | F/R | |
| | PUCH | B | CROSS 250 | 250 | 1986 | 1986 | R |
| FDB695 | APRILIA | B | ASR 125 | 125 | 1986 | F | |
| | | B | ETX 125 | 125 | 1984 | F | |
| | | B | STX 125 | 125 | 1984 | F | |
| | BETA | B | RX 50 | 50 | 1984 | F | |
| | | B | RX 125 | 125 | 1983 | F | |
| | | B | RX 125 | 125 | 1984 | F | |
| | HONDA | B | FL 400 R PILOT (4W) | 400 | 1989 | 1990 | R |
| | LAVERDA | B | 125 (Grimeca caliper) | 125 | 1982 | F | |
| | MOTO MORINI | B | CAMEL 501 | 50 | 2000 | R | |
| | | B | EXCALIBUR 501 | 50 | 1986 | 1986 | R |
| | | B | KJ 125 | 125 | 1984 | F | |
| | | B | EXCALIBUR 350 | 350 | 1986 | 1989 | R |
| | | B | K2 350 | 350 | 1984 | R | |
| | | B | KANGURO 350 | 350 | 1984 | F | |
| | | B | SPORT 350 | 350 | 1982 | F/R | |
| | | B | XE 350 | 350 | 1985 | F | |
| | | B | CAMEL 500 | 500 | 1984 | F | |
| FDB696 | FANTIC | B | SPORT 125 | 125 | 2000 | F | |
| | | B | SPORT 125 MK II | 125 | 2000 | F | |
| | | B | SPORT 125 MK II (f.a.tel.1706338) | 125 | 1985 | F | |
| | | B | STRADA 125 (FM. 4000-A) | 125 | 1983 | F | |
| | GARELLI | B | TSR 125 | 125 | | F | |
| | GILERA | B | RV 125 | 125 | 1983 | F | |
| | | B | RV 200 | 200 | 1985 | F | |
| | MOTO MORINI | B | K2 350 | 350 | 1984 | F | |
| | PUCH | B | MAXI 80 | 80 | 1988 | F | |
| FDB697 | ACCOSSATO | B | 50 ENDURO CODICE | 50 | 1989 | R | |
| | | B | CE 50 | 50 | 1987 | R | |
| | | B | KR 80 | 80 | 1987 | R | |
| | APRILIA | B | AF1 50 AE all models | 50 | 1987 | F | |
| | | B | AF1 50 EUROPA | 50 | 1991 | F | |
| | | B | AF1 50 FUTURA | 50 | 1990 | F | |
| | | B | ET 50 AE | 50 | 1987 | F | |
| | | B | ETX 50 | 50 | 1986 | F | |
| | | B | RED ROSE 50 | 50 | 1988 | 1991 | F |
| | | B | RED ROSE 50 | 50 | 1992 | F | |
| | | B | RX 50 | 50 | 1990 | 1991 | F |
| | | B | TUAREG 50 | 50 | 1986 | F | |
| | | B | TUAREG 50 | 50 | 1987 | F | |
| | | B | TUAREG 50 RALLY | 50 | 1990 | F | |
| | | B | CLASSIC 80 | 80 | 1993 | F | |
| | | B | CLIMBER 240 | 240 | 1989 | 1990 | F |
| | | B | TRX 240 M | 240 | 1989 | F/R | |
| | | B | CLIMBER 275 | 275 | 1989 | 1992 | F |
| | ATK (USA) | B | all models 1989-93 | | 1989 | 1993 | R |
| | BETA | B | ALP 50 | 50 | 1991 | R | |
| | | B | CHRONO 50 | 50 | 1992 | 1994 | F |
| | | B | CHRONO 50 | 50 | 1994 | F | |
| | | B | KR 50 | 50 | 1987 | F | |
| | | B | KR 50 ADVENTURE | 50 | 1987 | F | |
| | | B | TEMPO 50 | 50 | 1993 | F | |
| | | B | REV 80 | 80 | 2008 | R | |
| | | B | TR 34 125 | 125 | 1988 | R | |
| | | B | REV 4T 250 | 250 | 2007 | 2008 | R |
| | | B | TR 34 250 | 250 | 1986 | 1988 | R |
| | | B | TR 34 250 PROFESSIONAL | 250 | 1989 | R | |
| | | B | TR 34 260 | 260 | 1987 | 1988 | R |
| | DERBI | B | GPR 50 SPORT | 50 | 1996 | F | |
| | | B | GPR 75 SPORT | 75 | 1990 | F | |
| | FANTIC | B | FAST 50 | 50 | 1988 | F | |
| | | B | OASIS 50 .1 | 50 | 1986 | F | |
| | | B | OASIS 50 .1 E.S. | 50 | 1987 | F | |
| | | B | OASIS 50 .1 K.S. | 50 | 1987 | F | |



| | | | CC | FROM | TO | FRONT / REAR | |
|--------|-----------|---|---|------|------|--------------|-----|
| | GARELLI | B | OASIS 50 .1 KICK | 50 | 1987 | F | |
| | | B | OASIS 50 .1 RALLY | 50 | 1986 | F | |
| | | B | SAHEL 50 | 50 | 1991 | F | |
| | | B | TIGER 50 XLE | 50 | 1986 | F | |
| | | B | SAHEL 80 | 80 | 1989 | F | |
| | GILERA | B | EAGLET 50 | 50 | 1996 | F | |
| | KTM | B | GO 50 SCOOTER | 50 | 1994 | F | |
| | MALAGUTI | B | CENTRO 50 SL | 50 | 1993 | 1999 | F |
| | | B | F 12 50 PHANTOM (liquid cooled) | 50 | 1994 | F | |
| | | B | F 12 50 PHANTOM (liquid cooled) | 50 | 1999 | F | |
| | | B | F 15 50 FIREFOX Twin disk | 50 | 1998 | F | |
| | | B | MDX GOLD 50 ENDURO | 50 | 1987 | F | |
| | | B | MLX 50 ENDURO | 50 | 1987 | F | |
| | MBK | B | X-LIMIT 50 | 50 | 1998 | 2003 | F |
| | PIAGGIO | B | FREE 50 | 50 | 1996 | 2000 | F |
| | | B | FREE Delivery 50 | 50 | 2000 | 2001 | F |
| | RIZZATO | B | ATALA CAROSELLO 50 | 50 | 1997 | F | |
| | TOMOS | B | REVIVAL | 50 | 2003 | F | |
| | | B | STREETMATE | 50 | 2003 | F | |
| | YAMAHA | B | DT 50 R | 50 | 1997 | F | |
| | | B | DT 50 R | 50 | 2002 | 2007 | F |
| FDB706 | APRILIA | B | CLASSIC 125 | 125 | 1996 | F | |
| | | B | PEGASO 125 | 125 | 1989 | F | |
| | | B | RED ROSE 125 | 125 | 1990 | F | |
| | | B | RX 125 | 125 | 1990 | F | |
| | | B | RX 125 | 125 | 1991 | F | |
| | | B | TUAREG 125 RALLY | 125 | 1989 | 1990 | F |
| | BETA | B | RR 50 all models | 50 | 1999 | F | |
| | | B | RR 50 PRO RACE | 50 | 1998 | F | |
| | BULTACO | B | LOBITO 50 | 50 | 1998 | F | |
| | | B | LOBITO 75 | 75 | 1999 | F | |
| | CAGIVA | B | ELEFANT 750 BIFARO | 750 | 1990 | R | |
| | DERBI | B | GPR 50 R/REPLICA | 50 | 1997 | 2005 | F |
| | HUSQVARNA | B | WXE 125 | 125 | 2007 | F | |
| | PEUGEOT | B | XR 6 50 | 50 | 2002 | F | |
| | | B | XP 125 Street Evo 2 | 125 | 2005 | F | |
| | | B | XPS 6 SUPERMOTARD | 600 | 2003 | F | |
| | RIEJU | B | MRX 50 CASTROL | 50 | 2001 | 2002 | F |
| | | B | RR 50 CASTROL | 50 | 2000 | 2002 | F |
| | | B | RS1 50 | 50 | 2001 | 2004 | F |
| | | B | SPIKE 50 MOTARD | 50 | 2004 | F | |
| | | B | MRX 125 | 125 | 2002 | 2008 | F |
| | | B | SMX 125 | 125 | 2002 | 2007 | F |
| | SACHS | B | ROADSTER 125 | 125 | 2000 | 2003 | F |
| | SHERCO | B | Enduro 50c (2T)/Urban/SU - Spoke wheel models | 50 | 2008 | 2010 | F |
| | | B | Enduro 50cc (2T) | 50 | 2002 | 2007 | F |
| | | B | Supermotard 50cc (2T) | 50 | 2002 | 2007 | F |
| | | B | City Corp 125 (All models) | 125 | 2003 | 2007 | F |
| FDB731 | APRILIA | B | SCARABEO 50 2T Street / 4T 4V | 50 | 2010 | F | |
| | DERBI | B | SENDA DRD Racing 50 | 50 | 2011 | R | |
| | | B | SENDA DRD X-Treme 50 SM | 50 | 2011 | F/R | |
| | FANTIC | B | RAIDER 50 | 50 | 1981 | F | |
| | | B | RAIDER 50 .1 | 50 | 1986 | F | |
| | | B | STRADA 50 (FM. 240) | 50 | 1982 | F | |
| | KRAM IT | B | ER 125 RV 3 | 125 | 1988 | R | |
| | | B | ER 250 RV 3 | 250 | | R | |
| | | B | ER 300 RV 3 | 300 | 1988 | R | |
| | MALAGUTI | B | MEX 50 ENDURO | 50 | 1986 | F | |
| FDB736 | BMW | B | K 75 750 | 750 | 1990 | 1996 | F |
| | | B | K 75 750 (ABS caliper) | 750 | 1991 | 1996 | F |
| | | B | K 75 750 RT | 750 | 1991 | 1993 | F |
| | | B | K 75 750 RT | 750 | 1994 | 2000 | F |
| | | B | R 80 800 all models | 800 | 1989 | 1995 | F |
| | | B | R 80 800 R ROADSTER | 800 | 1993 | 1994 | R |
| | | B | K 100 1000 LT | 1000 | 1988 | 1992 | F |
| | | B | K 100 1000 RS | 1000 | 1988 | 1989 | F |
| | | B | R 100 1000 R ROADSTER - MYSTIC | 1000 | 1993 | 1996 | F |
| | | B | K 1100 LT (ABS) | 1100 | 1992 | 1993 | R |
| | | B | K 1100 RS (ABS and NOT) | 1100 | 1994 | 1999 | R |
| | | B | K 1100 RT (ABS) | 1100 | 1994 | 1999 | R |
| | | B | K 1200 ST | 1200 | 1999 | 2001 | R |
| | QUADZILLA | A | RL 500 Buggie | 500 | 2008 | 2009 | F/R |
| FDB737 | YAMAHA | B | 400 ARTESIA | 400 | 1991 | F | |
| | | B | XT 600 E - K | 600 | 1991 | 1994 | F |
| | | B | XT 600 E - K | 600 | 1995 | 2003 | F |
| | | B | XT 600 Z TENERE | 600 | 1991 | F | |
| | | B | XTZ 660 TENERE | 660 | 1991 | 1998 | F |
| FDB741 | KAWASAKI | B | ZX 400 L | 400 | 1992 | F | |



| | | CC | FROM | TO | FRONT / REAR |
|-----------|----------|----|---|----------------|--------------|
| ...FDB741 | | B | ZXR 400 (ZX 400L) RR | 400 1992 | F |
| FDB754 | HONDA | B | CBR 250 R ABS | 250 2011 | R |
| | | B | FORZA 250 | 250 2000 2004 | R |
| | | B | CBR300R | 300 2014 | R |
| | | B | CBF 500 | 500 2004 | R |
| | | B | CBF 500 ABS | 500 2004 2007 | R |
| | | B | CB 600 HORNET | 600 1998 1999 | R |
| | | B | CB 600 HORNET (Japan) | 600 1998 | R |
| | | B | CB 600 HORNET / S | 600 2000 2006 | R |
| | | B | CB 600 HORNET ABS | 600 2007 | R |
| | | B | CBF 600 4/A4 / HORNET / Travel | 600 2004 | R |
| | | B | CBF 600 N / S / ABS | 600 2008 | R |
| | | B | CBF 600 S/ABS | 600 2011 | R |
| | | B | CBR 600 F | 600 2007 | R |
| | | B | CBR 600 F (Japan) | 600 1999 2004 | R |
| | | B | CBR 600 F1 / F2 / FS1 / FS2 Sport | 600 2001 2002 | R |
| | | B | CBR 600 F2 | 600 1991 1994 | R |
| | | B | CBR 600 F3 | 600 1995 1998 | R |
| | | B | CBR 600 F4 / F4i Sport | 600 1999 2004 | R |
| | | B | CBR 600 FX / FY | 600 1999 2000 | R |
| | | B | CBR 600 RR | 600 2003 2004 | R |
| | | B | CBR 600 RR | 600 2005 2006 | R |
| | | B | CBR 600 RR - Racing Applications | 600 2005 | R |
| | | B | CB650F | 650 2014 | R |
| | | B | CBR650F | 650 2014 | R |
| | | B | FMX 650 | 650 2005 2006 | R |
| | | B | TRANSALP 680 | 680 2008 | R |
| | | B | CTX700 | 700 2014 | R |
| | | B | CTX700N | 700 2014 | R |
| | | B | NC 700 D Integra | 700 2012 | R |
| | | B | NC 700 SA,XA (manual gearbox - ABS) | 700 2012 | R |
| | | B | NC 700 SD,XD (automatic gearbox - ABS) | 700 2012 | R |
| | | B | CB 750 N SEVEN FIFTY | 750 1992 2002 | R |
| | | B | INTEGRA 750 DCT | 750 2014 | R |
| | | B | NC750S | 750 2014 | R |
| | | B | NC750X | 750 2014 | R |
| | | B | CB 900 HORNET | 900 2002 | R |
| | | B | CBR 900 RR-FIREBLADE | 900 1992 1995 | R |
| | | B | CBR 900 RR-FIREBLADE | 900 1998 1999 | R |
| | | B | CBR 900 RR-FIREBLADE | 900 2000 2003 | R |
| | | B | CBR 900 RR-FIREBLADE (Japan) | 900 1998 2003 | R |
| | | B | CBR 929 RR-FIREBLADE | 929 2000 2001 | R |
| | | B | CB 1000 SF | 1000 1993 1997 | R |
| | | B | CBF 1000 | 1000 2006 | R |
| | | B | CBF 1000 / ST | 1000 2011 | R |
| | | B | CBR 1000 BIG ONE | 1000 1993 1997 | R |
| | | B | CBR 1000 FIREBLADE | 1000 2004 2005 | R |
| | | B | CBR 1000 FIREBLADE - Racing Applications | 1000 2004 2005 | R |
| | | B | VTR 1000 FV FIRESTORM - SUPERHAWK | 1000 1997 2000 | R |
| | | B | VTR 1000 SP-1 (Japan) | 1000 2000 2004 | R |
| | | B | VTR 1000 SP-1 (SP45) | 1000 2000 2001 | R |
| | | B | VTR 1000 SP-2 (R51) | 1000 2002 | R |
| | | B | 1100 AMERICAN CLASSIC EDITION | 1100 1995 | R |
| | | B | CB 1100 | 1100 2013 | R |
| | | B | VT 1100 C2 SHADOW | 1100 1995 | R |
| | | B | CB 1300 | 1300 2001 | R |
| | | B | CB 1300 S | 1300 2011 | R |
| | | B | VT 1300 CX | 1300 2010 | R |
| | | B | VTX 1300 S / C | 1300 2003 | R |
| | KAWASAKI | B | Z 750 / Z 750 S | 750 2007 | R |
| | | B | Z 750 R | 750 2011 | R |
| | | B | Z 1000 | 1000 2007 2009 | R |
| | SUZUKI | B | Imazuma 250 | 250 2013 | R |
| | | B | BANDIT 650 / 650S ABS | 650 2008 | R |
| | | B | BANDIT 650 FA | 650 2012 | R |
| | | B | DL V-STROM 650A (Right) ABS/Traveller ABS | 650 2007 | R |
| | | B | DL V-STROM ABS (Right) NO ABS | 650 2007 | R |
| | | B | GSF 650S | 650 2008 | R |
| | | B | GSX 650F | 650 2008 | R |
| | | B | SV 650 (left) | 650 2003 | R |
| | | B | XF 650 FREEWIND | 650 1997 2002 | R |
| | | B | GSR 750 (Left) | 750 2011 | R |
| | | B | SV 1000 K3/SK3 | 1000 2003 | R |
| | | B | V-STROM 1000 (left) (DL 1000) | 1000 2002 | R |
| | | B | GSF 1250 A BANDIT / SA / 1250S ABS | 1250 2008 | R |
| | | B | GSF 1250 S ABS BANDIT | 1250 2007 | R |
| | | B | GSX 1250 FAT | 1250 2010 | R |
| | TRIUMPH | B | BABY SPEED 600 | 600 2004 | R |



| | | CC | FROM | TO | FRONT / REAR |
|--------|---------|----|-----------------------------------|----------------|--------------|
| | YAMAHA | B | DAYTONA 600 | 600 2003 | R |
| | | B | FZ6 600 / FZ6 600 FAZER ABS | 600 2004 | R |
| | | B | FZ6 600 S2 / FZ6 600 FAZER S2 ABS | 600 2007 | R |
| | | B | XJ6 /ABS | 600 2013 | R |
| | | B | XJ6 ABS SP | 600 2013 | R |
| | | B | XJ6 Diversion /ABS / F ABS | 600 2008 | R |
| | | B | YZF 600 R6 | 600 2003 2012 | R |
| | | B | MT-07 ABS | 700 2014 | R |
| | | B | FAZER 8 (NO ABS/ABS) | 800 2011 | R |
| | | B | FZ8 ABS | 800 2011 | R |
| | | B | FZ8 NO ABS | 800 2011 | R |
| | | B | MT-09 ABS | 850 2014 | R |
| | | B | MT-09 SR ABS | 850 2014 | R |
| | | B | FZ1 1000 (NO ABS/ABS) | 1000 2006 | R |
| | | B | FZ1 1000 Fazer (NO ABS/ ABS) | 1000 2008 | R |
| | | B | YZF 1000 R1 | 1000 2004 2006 | R |
| | | B | YZF 1000 R1 | 1000 2007 | R |
| FDB781 | CFMOTO | B | CF 250 T - 5 Custom | 250 2011 2012 | F |
| | YAMAHA | B | TDR 125 R | 125 1993 2003 | F |
| | | B | FZX 250 ZEAL | 250 1991 | F |
| | | B | SRV 250 SOULFULTWIN RENAISSA | 250 1992 1997 | F |
| | | B | TY 250 Z SCOTTISH | 250 1996 | F |
| | | B | SR 400 | 400 2014 | F |
| | | B | XVS 400 | 400 1998 1999 | F |
| | | B | YP 400 MAJESTY | 400 2004 2004 | F |
| | | B | XP 500 T MAX | 500 2001 2003 | F |
| | | B | XV 535 VIRAGO | 535 1995 1998 | F |
| | | B | 600 DIVERSION | 600 1992 1997 | F |
| | | B | XJ 600 S | 600 1992 1997 | F |
| | | B | XVS 650 A DRAG STAR CLASSIC | 650 1998 | F |
| | | B | XVS 650 DRAG STAR | 650 1997 | F |
| | | B | XV 750 VIRAGO | 750 1994 1997 | F |
| | | B | XJ 900 SECA DIVERSION | 900 1995 2003 | F |
| | | B | XV 950 ABS | 950 2014 | F |
| | | B | XV 950 R | 950 2014 | F |
| | | B | XVS 950 A Midnight Star | 950 2008 | F |
| | | B | XV 1100 VIRAGO | 1100 1994 1998 | F |
| | | B | XVS 1300 A Midnight Star /CFD | 1300 2008 | F |
| | | B | XVS 1300 A Midnight Star Custom | 1300 2014 | F |
| | | B | XVZ 1300 TF VENTURE STAR | 1300 1999 2001 | F |
| | | B | XV 1600 A WILD STAR | 1600 1999 | F |
| FDB782 | APRILIA | B | PEGASO 650 | 650 1991 1995 | F |
| | MZ | B | BAGHIRA / MASTIFF | 660 2000 | F |
| FDB783 | HONDA | B | NS-1 75 | 75 1992 | R |
| | PEUGEOT | B | SV 50 GEO | 50 1992 | F |
| | | B | ZENITH 50 | 50 1994 1995 | F |
| | | B | SV 125 GEO | 125 1991 1992 | F |
| FDB784 | ITALJET | B | FORMULA 50 | 50 1994 1996 | F |
| | | B | FORMULA 80 | 80 1994 | F |
| | | B | FORMULA 125 | 125 1994 1996 | F |
| | PIAGGIO | B | QUARTZ 50 | 50 1992 1996 | F |
| | | B | SKIPPER 80 | 80 1994 1996 | F |
| | | B | SKIPPER 125 | 125 1993 1997 | F |
| | | B | SKIPPER 150 | 150 1993 1997 | F |
| FDB828 | APRILIA | B | ETX 125 | 125 1998 | R |
| | | B | MX 125 | 125 2004 | R |
| | | B | PEGASO 125 | 125 1989 | R |
| | | B | PEGASO 125 KAT | 125 1994 | R |
| | | B | RX 125 | 125 1990 | R |
| | | B | RX 125 | 125 1991 | R |
| | | B | RX 125 | 125 1992 1994 | R |
| | | B | RX 125 | 125 1995 | R |
| | | B | SX 125 | 125 2008 | R |
| | | B | TUAREG 125 RALLY | 125 1989 1990 | R |
| | | B | TUAREG 125 RALLY | 125 1991 | R |
| | | B | PEGASO 600 | 600 1990 | R |
| | | B | TUAREG 600 WIND | 600 1990 | R |
| | | B | TUAREG 600 WIND PARIS-DAKAR | 600 1989 | R |
| | | B | TUAREG 600 WIND. | 600 1989 | R |
| | | B | MOTO 650 6.5 | 650 1995 1999 | R |
| | | B | PEGASO 650 | 650 1991 1995 | R |
| | | B | PEGASO 650 | 650 1996 2000 | R |
| | | B | STARCK 650 | 650 1996 | R |
| | BETA | B | JONATHAN 125 | 125 2002 2005 | R |
| | | B | ALP 4.0 350 | 350 2004 | R |
| | | B | EURO 350 | 350 2002 | R |
| | | B | M4 Supermotard 350 | 350 2004 2006 | R |
| | CAGIVA | B | WMX 50 | 50 1989 | R |

B = Bike
A = ATV
S = Snowmobile

B = Bike
A = ATV
S = Snowmobile



| | | | CC | FROM | TO | FRONT / REAR |
|-----------|-----------------|---|---|------|------|--------------|
| ...FDB828 | | B | N 90 ENDURO | 90 | 1990 | R |
| | FANTIC | B | BIG WHEEL 50 | 50 | 1994 | R |
| | | B | GRINTA 50 | 50 | 1995 | R |
| | | B | LEADER 50 | 50 | 1995 | R |
| | GARELLI | B | BIG WHEEL 50 | 50 | 1993 | 1994 R |
| | GILERA | B | EAGLET 50 | 50 | 1996 | R |
| | | B | RC 50 TOP RALLY | 50 | 1990 | 1995 F/R |
| | HONDA | B | CRE 50 Baja | 50 | 2011 | R |
| | | B | CRM 50 Derapage | 50 | 2011 | R |
| | | B | CRE Baja HM 125 4T | 125 | 2011 | R |
| | | B | CRE Baja RR HM 125 4T | 125 | 2011 | R |
| | | B | CRM 125 Derapage HM 125 4T | 125 | 2011 | R |
| | HONDA-HM ITALIA | B | CRE 50 (from frame nr.2819) | 50 | | R |
| | LEM | B | FLASH 50 | 50 | 1994 | F |
| | MALAGUTI | B | F 10 50 JETLINE | 50 | 1992 | 1993 F |
| | MZ | B | BAGHIRA / MASTIFF | 660 | 2000 | R |
| | RIEJU | B | RS2 50 FR / PRO | 50 | 2008 | R |
| | | B | RS2 50 PRO | 50 | 2009 | R |
| | | B | NKD 125 | 125 | 2008 | R |
| | SACHS | B | XTC 125 SUPERSPORT | 125 | 2000 | R |
| | | B | ZX 125 | 125 | 2001 | R |
| | SUZUKI ATV | A | LT-A/F 500 FK VINSON | 500 | 2003 | 2007 R |
| FDB847 | BUELL | B | all models | | 1994 | 1997 F |
| FDB858 | HONDA | B | RS 125 R | 125 | 1995 | F |
| | | B | NSR 250 R SE-SP | 250 | 1994 | F |
| | | B | RS 250 | 250 | 1993 | 1994 F |
| | | B | RVF 400 | 400 | 1994 | F |
| | | B | CBR 750 SUPER AERO | 750 | 1988 | 1989 R |
| | | B | RVF 750 RR (RC 45) | 750 | 1994 | F |
| FDB864 | TRIUMPH | B | DAYTONA SUPER III 900 | 900 | 1994 | 1997 F |
| | YAMAHA | B | YZF 750 RR-SP | 750 | 1993 | 1998 F |
| | | B | FZR 1000 GENESIS - EX-UP | 1000 | 1994 | 1995 F |
| | | B | FZR 1000 R | 1000 | 1994 | 1995 F |
| FDB865 | YAMAHA | B | GTS 1000 | 1000 | 1993 | 1999 F |
| FDB873 | KAWASAKI | B | ZRX 400 | 400 | 1998 | F |
| | | B | ZX 6R 600 NINJA | 600 | 1998 | 2001 F |
| | | B | ZX-7 750 R NINJA | 750 | 1996 | 1999 F |
| | | B | ZX-9R 900 R NINJA (B1 - B2) | 900 | 1996 | 1997 F |
| | | B | ZX-9R 900 R NINJA (B1 - B2) | 900 | 1998 | 1999 F |
| | | B | ZX-9R 900 R NINJA (B3 - B4) (C1 - C2) (E1 - E2) | 900 | 2000 | 2001 F |
| | | B | ZR 1100 C1 | 1100 | 1997 | 2000 F |
| | | B | ZRX 1200 R - S | 1200 | 2001 | F |
| | | B | ZX 12 1200 R | 1200 | 2000 | 2003 F |
| | | B | MEAN STREAK 1500 | 1500 | 2002 | 2003 F |
| | | B | VN 1600 MEAN STREAK | 1600 | 2004 | F |
| | SUZUKI | B | GSX-R 750 W | 750 | 1994 | 1999 F |
| | | B | GSX R 1000 | 1000 | 2001 | 2002 F |
| | | B | TL 1000 R | 1000 | 1998 | 2002 F |
| | | B | GSX-R 1100 W | 1100 | 1993 | 1996 F |
| | | B | GSF 1200 K1/SK1 BANDIT | 1200 | 2001 | F |
| | | B | GSX 1400 | 1400 | 2002 | F |
| | | B | VZ 1600 MARAUDER | 1600 | 2004 | F |
| FDB889 | APRILIA | B | SR 50 all models | 50 | 1993 | 1996 F |
| | BETA | B | REV 3 250 / Long Range | 250 | 2008 | R |
| | DERBI | B | VAMOS 50 R | 50 | 1995 | F |
| | MBK | B | BOOSTER 50 / SPIRIT | 50 | 1996 | F |
| | | B | BOOSTER 50 NEXT GENERATION | 50 | 1996 | 1998 F |
| | | B | BOOSTER 50 R | 50 | 1994 | 1995 F |
| | | B | BOOSTER 50 TRACK | 50 | 1996 | 1998 F |
| | | B | EVOLIS 50 | 50 | 1992 | F |
| | | B | FIZZ 50 | 50 | 1994 | F |
| | | B | FORTE 50 | 50 | 1995 | F |
| | | B | NITRO 50 | 50 | 1997 | F |
| | | B | OVETTO 50 | 50 | 1997 | F |
| | | B | ROCKET 50 | 50 | 1996 | 1998 F |
| | | B | EVOLIS 80 | 80 | 1994 | F |
| | MONTESA | B | COTA 315 R | 315 | 1998 | R |
| | PGO | B | MY BUBU 50 | 50 | 2003 | F |
| | SUZUKI | B | AP 50 | 50 | 1995 | 2002 F |
| | YAMAHA | B | CW 50 RS | 50 | 1995 | F |
| | | B | EW 50 SLIDER | 50 | 2000 | 2003 F |
| | | B | JOG 50 Z (Italia) - R / RR | 50 | 1993 | F |
| | | B | YE 50 ZEST | 50 | 1992 | F |
| | | B | YE 50 ZEST | 50 | 1993 | 1995 F |
| | | B | YH 50 WHY | 50 | 1999 | F |
| | | B | YQ 50 AEROX / AEROX R | 50 | 1997 | 2012 F |
| | | B | YN 100 NEO'S | 100 | 2000 | 2003 F |
| | | B | YQ 100 AEROX | 100 | 2000 | F |



| | | | CC | FROM | TO | FRONT / REAR |
|--------|------------|---|------------------------------------|------|------|--------------|
| FDB892 | AJP | B | XN 125 N TEO'S | 125 | 2000 | 2003 F |
| | | B | PR5 250 Enduro | 250 | 2009 | F |
| | | B | PR5 250 Supermoto | 250 | 2009 | F |
| | APRILIA | B | MXV 450 | 450 | 2008 | F |
| | | B | RXV 450 / Rally / Merriman Replica | 450 | 2005 | F |
| | | B | RXV 550 | 550 | 2005 | F |
| | BETA | B | RR 250 4T Enduro | 250 | 2005 | 2007 F |
| | | B | RR 350 4T Enduro | 350 | 2011 | F |
| | | B | RR 350 4T Enduro | 350 | 2012 | F |
| | | B | RR 400 4T Enduro | 400 | 2005 | F |
| | | B | RR 450 4T Cross Country | 450 | 2012 | F |
| | | B | RR 450 4T Enduro | 450 | 2005 | 2013 F |
| | | B | RR 498 4T Enduro | 500 | 2012 | F |
| | | B | RR 520 4T Enduro | 520 | 2010 | 2011 F |
| | | B | RR Enduro 525 4T | 525 | 2005 | 2009 F |
| | CANNONDALE | B | MX 400 | 400 | 2000 | 2002 F |
| | | B | 440 (All Enduro / MX Models) | 440 | 2003 | F |
| | | B | S 440 SUPERMOTO | 440 | 2003 | F |
| | GASGAS | B | EC / MC 125 | 125 | 2000 | F |
| | | B | EC 200 | 200 | 2001 | F |
| | | B | EC / MC 250 | 250 | 2000 | F |
| | | B | EC / MC 300 | 300 | 2000 | F |
| | | B | EC 400 | 400 | 2001 | F |
| | | B | FSE 450 | 450 | 2004 | F |
| | HONDA | B | CRE 50 Six Racing | 50 | 2011 | F |
| | | B | CR 125 | 125 | 2002 | F |
| | | B | CR 125 RW - RX - RY - R1 | 125 | 1996 | 2001 F |
| | | B | CRE 125 2T /Six Comp | 125 | 2002 | F |
| | | B | CRE 125 4T Six Racing | 125 | 2011 | F |
| | | B | XLR 125 | 125 | 1993 | F |
| | | B | CRF 150 | 150 | 2003 | 2007 F |
| | | B | NX 150 (Brasil) | 150 | | F |
| | | B | CTX 200 | 200 | 2003 | 2004 F |
| | | B | NX 200 (Brasil) | 200 | | F |
| | | B | XLR 200 R | 200 | 1993 | F |
| | | B | XR 200 (Brasil) | 200 | | F |
| | | B | CRF 230 F | 230 | 2003 | 2007 F |
| | | B | CRF 230 F | 230 | 2008 | F |
| | | B | EASY 230 Enduro /SM | 230 | 2008 | F |
| | | B | SL 230 | 230 | 1997 | F |
| | | B | CR 250 | 250 | 2002 | F |
| | | B | CR 250 R | 250 | 1996 | F |
| | | B | CRE 250 / CRE F250 X/R | 250 | 2002 | F |
| | | B | CRF 250 X / R | 250 | 2004 | F |
| | | B | CRF250R | 250 | 2014 | F |
| | | B | CRM 250 R | 250 | 1991 | F |
| | | B | NX 250 DOMINATOR | 250 | 1993 | F |
| | | B | XL 250 DEGREE | 250 | 1991 | F |
| | | B | XLR 250 R | 250 | 1991 | F |
| | | B | XLR 250 R BAJA | 250 | 1991 | F |
| | | B | XR 250 L | 250 | 1991 | 1995 F |
| | | B | XR 250 R | 250 | 1994 | F |
| | | B | CRE F300 X | 300 | 2008 | F |
| | | B | NX 350 SAHARA (Brasil) | 350 | | F |
| | | B | XR 400 R (All Models) | 400 | 1996 | F |
| | | B | XR 400 SUPERMOTARD | 400 | 2000 | F |
| | | B | XR 440 R (DALL'ARA) | 440 | 1999 | F |
| | | B | CRE F450 R | 450 | 2011 | F |
| | | B | CRE F450 X/R | 450 | 2008 | F |
| | | B | CRF 450 R | 450 | 2002 | F |
| | | B | CRF 450 Rally | 450 | 2013 | F |
| | | B | CRF 450 SUPERMOTARD | 450 | 2002 | F |
| | | B | CR 500 R | 500 | 1993 | 1994 F |
| | | B | CR 500 R | 500 | 1995 | 2001 F |
| | | B | CRE F500 X | 500 | 2009 | F |
| | | B | XL 600 V TRANSALP | 600 | 1997 | 1999 F |
| | | B | XR 600 L - R | 600 | 1994 | 2002 F |
| | | B | NX 650 DOMINATOR | 650 | 1995 | 1997 F |
| | | B | XL 650 V TRANSALP | 650 | 2000 | F |
| | | B | XR 650 L | 650 | 1996 | F |
| | | B | XR 650 R | 650 | 1999 | F |
| | | B | XR7 750 R AFRICA TWIN | 750 | 1994 | 2003 F |
| | HONDA ATV | A | TRX 450 R/ER | 450 | 2004 | 2009 F |
| | | A | TRX 700 XX (8/XX9) | 700 | 2008 | 2009 F |
| | KAWASAKI | B | KX 125 | 125 | 1996 | 2002 F |
| | | B | KX 125 | 125 | 2003 | F |
| | | B | KX 125 K2-K4 | 125 | 1995 | F |
| | | B | KDX 200 E6 / H1 - H3 | 200 | 1994 | 2003 F |



CC FROM TO FRONT / REAR

...FDB892

SUZUKI

YAMAHA

FDB2001

POLARIS SNOWMOBILE

| CC | FROM | TO | FRONT / REAR |
|----|-----------------------------------|----------------|--------------|
| B | KDX 220 RA4 | 220 1997 2003 | F |
| B | KDX 250 K2-K4 | 250 1995 | F |
| B | KLX 250 | 250 1994 1997 | F |
| B | KX 250 | 250 1995 | F |
| B | KX 250 | 250 1996 2002 | F |
| B | KX 250 | 250 2003 | F |
| B | KX 250 F | 250 2004 | F |
| B | KLX 300 R | 300 1997 2003 | F |
| B | KLX 450 R | 450 2007 | F |
| B | KX 450 F | 450 2006 | F |
| B | KX 500 | 500 1994 1995 | F |
| B | KX 500 E8/E9 | 500 1996 | F |
| B | KLX 600 R | 600 1993 | F |
| B | KLX 650 R | 650 1993 1997 | F |
| B | DR 125 SM | 125 2008 | F |
| B | RM 125 | 125 2009 | F |
| B | RM 125 E | 125 2009 | F |
| B | RM 125 T- U - V | 125 1996 1998 | F |
| B | RM 125 X - Y - K1 | 125 1999 2008 | F |
| B | SM 125 | 125 2010 | F |
| B | RM 250 | 250 2000 2008 | F |
| B | RM 250 | 250 2009 | F |
| B | RM 250 TV | 250 1996 1999 | F |
| B | RM-Z 250 | 250 2004 2008 | F |
| B | RM-Z 250 / E | 250 2009 | F |
| B | RMX 250 | 250 2000 2002 | F |
| B | RMX 250 TV | 250 1996 1998 | F |
| B | DR-Z 400 S - E - SM | 400 2000 | F |
| B | RM-Z 450 | 450 2005 2007 | F |
| B | RM-Z 450 / E | 450 2008 | F |
| B | RMX 450 E | 450 2009 | F |
| B | SM 450X | 450 2009 | F |
| B | DR 650 SE | 650 1996 | F |
| B | YZ 125 | 125 2003 2007 | F |
| B | YZ 125 all models | 125 1998 2002 | F |
| B | YZ-R 125 | 125 2008 | F |
| B | WR 250 F / FN / FT / FV | 250 2003 2006 | F |
| B | WR 250 F / RX | 250 2008 | F |
| B | WR 250 FN | 250 2001 2002 | F |
| B | WR 250 FW | 250 2007 | F |
| B | WR 250 K | 250 1998 | F |
| B | YZ / WR 250 | 250 2003 2007 | F |
| B | YZ 250 FN | 250 2001 2002 | F |
| B | YZ 250 K/L/M | 250 1998 2000 | F |
| B | YZ 250 N | 250 2001 | F |
| B | WR 400 F | 400 1998 | F |
| B | WR 400 F | 400 1999 2001 | F |
| B | YZ 400 F | 400 1998 | F |
| B | WR 426 FN | 426 2001 2002 | F |
| B | YZ 426 FM / FN | 426 2000 2002 | F |
| B | WR 450 F | 450 2003 | F |
| B | YZ 450 F | 450 2003 2007 | F |
| B | XL 883 EVO | 883 1987 1999 | R |
| B | XL 1200 EVO | 1200 1999 | R |
| B | FLST Heritage Softail® | 1340 1990 | R |
| B | FLSTC Heritage Softail® Classic | 1340 1999 | R |
| B | FLSTF Fat Boy® | 1340 1990 1999 | R |
| B | FLSTN Heritage Softail® | 1340 1993 1996 | R |
| B | FLSTS Heritage Springer® Softail® | 1340 1997 1999 | R |
| B | FXD Dyna Super Glide® | 1340 1995 1999 | R |
| B | FXDB Dyna Street Bob | 1340 1991 1992 | R |
| B | FXDC Dyna Super Glide® Custom | 1340 1991 1992 | R |
| B | FXDG Dyna Glide Sturgis® | 1340 1991 | R |
| B | FXDL Dyna Low Rider® | 1340 1993 1999 | R |
| B | FXDS-Conv. / Dyna Convertible | 1340 1994 1999 | R |
| B | FXDWG Dyna Wide Glide® | 1340 1993 1999 | R |
| B | FXDX Dyna Super Glide® Sport | 1340 1995 1999 | R |
| B | FXLR Low Rider® Custom | 1340 1994 | R |
| B | FXR Super Glide® | 1340 1994 | R |
| B | FXRS Low Glide | 1340 1992 | R |
| B | FXRT Sport Glide® | 1340 1992 | R |
| B | FXST Softail® | 1340 1990 | R |
| B | FXST Softail® Standard | 1340 1999 | R |
| B | FXSTB Night Train® | 1340 1999 | R |
| B | FXSTC Softail® Custom | 1340 1999 | R |
| B | FXSTS Springer Softail® | 1340 1999 | R |
| B | FXSTSB Bad Boy | 1340 1995 1997 | R |
| S | HAYES (all models) | 1993 1998 | R |



CC FROM TO FRONT / REAR

FDB2002

FDB2003

FDB2005

| CC | FROM | TO | FRONT / REAR |
|----|--------------------------------|----------------|--------------|
| S | INDY 440 XCR | 1993 1999 | R |
| S | INDY 600 XCR - SP | 1996 1999 | R |
| S | INDY RXL - RMK - SKS | 1993 1997 | R |
| S | INDY SPORT - TOURING | 1993 1998 | R |
| S | INDY TRAIL - DE LUXE | 1993 1998 | R |
| S | INDY TRANSPORT | 1996 1998 | R |
| S | INDY ULTRA (all models) | 1996 1998 | R |
| S | INDY XLT (all models) | 1993 1998 | R |
| S | XCF 440 | 1998 2000 | R |
| B | CBR 1000 F-FP | 1000 1993 1999 | F/R |
| B | AD 125 | 125 2009 2011 | R |
| B | AR 125 | 125 2010 2011 | R |
| B | AD 200 | 200 2009 2011 | R |
| B | AR 200 | 200 2010 2011 | R |
| B | JUPITER 125 | 125 2001 | F |
| B | JUPITER 125 / 150 / 250 | 125 2002 2003 | F |
| B | JUPITER 250 | 250 2001 | F |
| B | JUPITER 250 | 250 2002 | F |
| B | SX 450 SMR | 450 2005 2006 | R |
| B | SX 525 SMR | 525 2005 | R |
| B | Monarch 125 T | 125 2006 | F |
| B | Monarch 150 T | 150 2006 | F |
| B | Main Street 300 (Scooter) | 300 2007 | F |
| B | SKYLINER 250 | 250 2000 2002 | F |
| B | SKYLINER 400 | 400 2004 | F |
| B | QM 125-2 V Max 125 | 125 2008 2010 | F |
| B | SR 125 | 125 1997 2003 | F |
| B | TDR 125 | 125 1993 1993 | F |
| B | TZR 125 | 125 1993 | F |
| B | XV 125 VIRAGO | 125 1997 2000 | F |
| B | XVS 125 DRAG STAR | 125 2000 | F |
| B | XV 250 S DRAGSTER | 250 2001 2003 | F |
| B | XV 250 S VIRAGO | 250 1995 2000 | F |
| B | YP 250 A MAJESTY | 250 2000 | F |
| B | YP 250 MAJESTY | 250 1996 1997 | F |
| B | YP 250 MAJESTY DX - ABS | 250 1998 1999 | F |
| B | XJ 400 DIVERSION - R | 400 1991 1994 | F |
| B | XJR 400 R | 400 1997 | F |
| B | YP 400 MAJESTY (ABS) | 400 2007 | F |
| B | YP 400 MAJESTY (NO ABS) | 400 2005 | F |
| B | XP 500 T MAX | 500 2004 2007 | F |
| B | FZ6 600 / FZ6 600 FAZER ABS | 600 2004 | F |
| B | XJ 600 S | 600 1998 2003 | F |
| B | XJ6 / ABS | 600 2013 | F |
| B | XJ6 ABS SP | 600 2013 | F |
| B | XJ6 Diversion / ABS / F ABS | 600 2008 | F |
| B | MT-03 660 | 660 2008 | F |
| B | MT-03 660 | 660 2008 | F |
| B | XVS 1100 DRAG STAR / CLASSIC | 1100 1999 | F |
| B | FJ 1200 | 1200 1999 | F |
| B | NO LIMITS 250 | 250 1995 | R |
| B | VR 250 ENDURO | 250 1995 | R |
| B | VR 250 MOTOCROSS | 250 1995 | R |
| B | VR 250 SUPERMOTARD | 250 1999 | R |
| B | PEGASO 650 TRAIL | 650 2007 | R |
| B | PEGASO 650 / I.E. | 650 2001 2004 | R |
| B | PEGASO 650 Factory | 650 2008 | R |
| B | PEGASO 650 STRADA | 650 2004 | R |
| B | SL 750 SHIVER ABS / GT | 750 2008 | R |
| B | SMV 750 Dorsoduro (NO ABS/ABS) | 750 2008 | R |
| B | SMV 750 Dorsoduro FACTORY | 750 2010 | R |
| B | CAPONORD 1200 | 1200 2013 | R |
| B | DORSODURO 1200 / ABS / ATC | 1200 2011 | R |
| B | all models 1996-01 | 1996 2001 | R |
| B | 500 / 600 Dirt Track | 500 1998 1999 | R |
| B | BX 449 Motard | 449 2010 | R |
| B | BX Cross (449cc) | 449 2007 2012 | R |
| B | BX Enduro (505cc) | 505 2008 2012 | R |
| B | BX 570 Motard | 570 2008 2010 | R |
| B | JONATHAN 125 | 125 1999 2001 | R |
| B | EURO 350 | 350 1999 2001 | R |
| B | C1 125 Scooter | 125 2000 2003 | R |
| B | C1 200 Scooter | 200 2001 2003 | R |
| B | F 650 / 650 ST | 650 1994 2000 | R |
| B | F 650 GS / CS | 650 2001 | R |
| B | F 650 SCARVER | 650 2002 | R |
| B | G 650 X Challenge / X Country | 650 2007 | R |
| B | G 650 X Moto | 650 2008 | R |

B = Bike
A = ATV
S = Snowmobile

B = Bike
A = ATV
S = Snowmobile



CC FROM TO FRONT / REAR

...FDB2005

| | | | CC | FROM | TO | FRONT / REAR |
|-----------|---|--|------|------|------|--------------|
| | B | G650 GS | 650 | 2011 | | R |
| | B | F800 GS | 800 | 2008 | | R |
| | B | F800 GT | 800 | 2013 | | R |
| | B | F800 S / ST / R | 800 | 2007 | | R |
| | B | R 850 RT | 850 | 1998 | 2001 | R |
| | B | S1000R | 1000 | 2014 | | R |
| | B | S1000RR | 1000 | 2009 | | R |
| CCM | B | 604 E 600 SPORT | 600 | 1999 | | R |
| | B | 604 E 600 SUPERMOTO | 600 | 1999 | | R |
| | B | C 25 600 | 600 | 1996 | | R |
| | B | 604 RS ROADSTER | 604 | 2000 | | R |
| DUCATI | B | Sportclassic GT 1000 / SPORT 1000S / Touring | 1000 | 2008 | | R |
| GASGAS | B | EC / MC 125 | 125 | 1996 | 1999 | R |
| | B | EC / MC 250 | 250 | 1996 | 1999 | R |
| | B | TT 250 | 250 | 1995 | | R |
| | B | EC / MC 300 | 300 | 1996 | 1999 | R |
| HONDA | B | CB 500 S | 500 | 1999 | 2003 | R |
| | B | CB 500 V | 500 | 1997 | 2003 | R |
| | B | NX 500 | 500 | 1997 | 1999 | R |
| | B | NX 650 DOMINATOR | 650 | 1998 | 2002 | R |
| | B | SLR 650 | 650 | 1997 | 1998 | R |
| | B | VIGOR 650 | 650 | 1999 | 2002 | R |
| HUSABERG | B | FC 501 | 50 | 1998 | | R |
| | B | FE 501 S - E | 50 | 1998 | | R |
| | B | FE 350 / 450 / 550 / 650 / E | 350 | 1995 | | R |
| | B | MC 350 | 350 | 1994 | | R |
| | B | FC 400 | 400 | 1999 | | R |
| | B | FE 400 S - E | 400 | 1998 | | R |
| | B | FE 450 | 450 | 2003 | 2006 | R |
| | B | FE 450 c | 450 | 2006 | | R |
| | B | 500 all models | 500 | 1996 | | R |
| | B | FC 350 / 450 / 550 | 550 | 1995 | | R |
| | B | FE 550 E Strada | 550 | 2008 | | R |
| | B | FE 570 | 570 | 2009 | | R |
| | B | EF 600 E (Quad) | 600 | 1998 | | F |
| | B | FC 600 SUPERMOTARD | 600 | 1998 | | R |
| | B | FE 600 S - E - R | 600 | 1998 | | R |
| | B | FE 600 SUPERMOTARD | 600 | 2000 | 2007 | R |
| | B | FE 650 E | 650 | 2006 | 2008 | R |
| | B | FS 650 e, c | 650 | 2006 | | R |
| HUSQVARNA | B | 125 ALL MODELS 1994-1995 | 125 | 1994 | 1995 | R |
| | B | CR 125 | 125 | 1996 | 2004 | R |
| | B | SM 125 S | 125 | 2002 | 2011 | R |
| | B | SM 125 S (4T) | 125 | 2011 | | R |
| | B | SM 125 S SUPERMOTARD | 125 | 1998 | 1999 | R |
| | B | TE 125 | 125 | 2011 | | R |
| | B | WR 125 | 125 | 1998 | 2005 | R |
| | B | WRE 125 / DUAL | 125 | 1994 | | R |
| | B | 250 ALL MODELS 1994-1995 | 250 | 1994 | 1995 | R |
| | B | CR 250 | 250 | 1996 | | R |
| | B | SMS 250 | 250 | 2011 | | R |
| | B | TC / TE 250 | 250 | 2002 | 2005 | R |
| | B | WR 250 | 250 | 1998 | | R |
| | B | WR 300 | 300 | 2009 | | R |
| | B | TE 350 | 350 | 1996 | | R |
| | B | WR 360 ENDURO | 360 | 1998 | 1999 | R |
| | B | TE 400 E DUAL - ENDURO | 400 | 1998 | | R |
| | B | TE 410 E | 410 | 2000 | | R |
| | B | SM 450 R | 450 | 2004 | 2006 | R |
| | B | TC / TE 450 | 450 | 2003 | 2006 | R |
| | B | SM 510 R | 510 | 2004 | 2006 | R |
| | B | TC / TE 510 | 510 | 2004 | 2005 | R |
| | B | SM 570 R | 570 | 2004 | | R |
| | B | TE 570 | 570 | 2004 | | R |
| | B | SM 600 SUPERMOTARD | 600 | 1998 | | R |
| | B | TE 600 | 600 | 1996 | | R |
| | B | TE 600 E DUAL - ENDURO | 600 | 1998 | | R |
| | B | LT 610 | 610 | 2000 | | R |
| | B | SM 610 / S | 610 | 2000 | 2006 | R |
| | B | SM 610 R / IE | 610 | 2007 | | R |
| | B | TC 610 | 610 | 1996 | | R |
| | B | TE 610 E | 610 | 1995 | | R |
| | B | TE 610 E SUPERMOTARD | 610 | 2000 | | R |
| | B | SM 630 S | 630 | 2010 | | R |
| | B | SMR 630 | 630 | 2004 | 2006 | R |
| | B | SMR 630 | 630 | 2011 | | R |
| | B | TE 630 | 630 | 2010 | | R |
| | B | BAJA | 650 | 2013 | | R |



CC FROM TO FRONT / REAR

| | | | CC | FROM | TO | FRONT / REAR |
|--|---|---|-----|------|------|--------------|
| | B | Moab | 650 | 2012 | | R |
| | B | SMR 650 | 650 | 2007 | | R |
| | B | STR 650 | 650 | 2007 | | R |
| | B | TR 650 strada | 650 | 2012 | | R |
| | B | TR 650 terra | 650 | 2012 | | R |
| | B | NUDA 900 | 900 | 2012 | | R |
| | B | NUDA 900 ABS | 900 | 2013 | | R |
| | B | NUDA 900 R | 900 | 2012 | | R |
| | B | NUDA 900 R ABS | 900 | 2013 | | R |
| | B | 125 DUKE | 125 | 2010 | | R |
| | B | 125 DUKE (ABS Std) | 125 | 2013 | | R |
| | B | 125 EXC | 125 | 1998 | 2003 | R |
| | B | EXE 125 | 125 | 2000 | 2003 | R |
| | B | LC2 125 | 125 | 1998 | | R |
| | B | LC2 STING 125 | 125 | 1998 | | R |
| | B | RC 125 (ABS Std) | 125 | 2014 | | R |
| | B | SX 125 | 125 | 1996 | 2002 | R |
| | B | 200 DUKE (ABS Std) | 200 | 2013 | | R |
| | B | 200 EXC | 200 | 1998 | | R |
| | B | EGS 200 | 200 | 1998 | | R |
| | B | RC 200 (ABS Std) | 200 | 2014 | | R |
| | B | 250 all models | 250 | 1994 | 1995 | R |
| | B | 250 EXC | 250 | 1998 | 2006 | R |
| | B | 250 EXC Six Days | 250 | 2011 | | R |
| | B | 250 SX | 250 | 1996 | 2002 | R |
| | B | 300 all models | 300 | 1994 | 1995 | R |
| | B | 300 EXC | 300 | 1998 | 2006 | R |
| | B | SX 380 | 380 | 1998 | | R |
| | B | 390 DUKE (ABS Std) | 390 | 2013 | | R |
| | B | RC 390 (ABS Std) | 390 | 2014 | | R |
| | B | LC4 400 E | 400 | 1998 | | R |
| | B | SX 400 | 400 | 2000 | | R |
| | B | SXC 400 | 400 | 1998 | | R |
| | B | 500 all models | 500 | 1994 | 1995 | R |
| | B | 500 EXC | 500 | 1998 | 2011 | R |
| | B | SXC 540 | 540 | 1998 | | R |
| | B | SC 600 | 600 | 1998 | | R |
| | B | ADVENTURE 620 / 625 / 640 R | 620 | 1998 | | R |
| | B | LC4 620 COMPETITION | 620 | 1998 | | R |
| | B | THE DUKE 620 | 620 | 1994 | 1998 | R |
| | B | 625 SMC LC4 | 625 | 2005 | | R |
| | B | DUKE 2 640 | 640 | 1998 | 1999 | R |
| | B | LC4 640 DUKE II | 640 | 2000 | | R |
| | B | LC4 640 E | 640 | 1998 | | R |
| | B | LC4 640 SUPERMOTO | 640 | 1998 | | R |
| | B | SXC 650 | 650 | 2004 | | R |
| | B | 660 SMC | 660 | 2004 | | R |
| | B | LC4 660 SUPERMOTO | 660 | 2003 | | R |
| | B | 690 DUKE (ABS Std) | 690 | 2012 | | R |
| | B | 690 DUKE R | 690 | 2010 | 2012 | R |
| | B | 690 DUKE R (ABS Std) (Racing version pad) | 690 | 2013 | | R |
| | B | 690 DUKE R (ABS Std) (Road version pad) | 690 | 2014 | | R |
| | B | 690 Enduro R (ABS Std) | 690 | 2008 | | R |
| | B | 690 SM | 690 | 2007 | | R |
| | B | 690 SMC R (ABS Std) | 690 | 2013 | | R |
| | B | 690 SMR / SMC / DUKE / SupermotoR | 690 | 2008 | | R |
| | B | LC4 690 SUPERMOTO Prestige | 690 | 2007 | | R |
| | B | DUKE 950 / 990 / 990 RC8 | 950 | 2003 | | R |
| | B | 990 SUPERDUKE | 990 | 2005 | 2011 | R |
| | B | 990 SUPERDUKE R | 990 | 2007 | | R |
| | B | 250 CROSS | 250 | 1998 | | R |
| | B | 500 CROSS | 500 | 1998 | | R |
| | B | Max Sym 400i | 400 | 2011 | 2012 | R |
| | B | 80/85 Cross | | 1996 | 2001 | R |
| | B | 80/85/100 (Big wheel) | | 2002 | 2004 | R |
| | B | 80/85/100 Junior Cross (Small wheel) | | 2002 | 2004 | R |
| | B | 80 Enduro | 80 | 1996 | 2000 | R |
| | B | 125 Cross | 125 | 1995 | 2000 | R |
| | B | 125 Enduro | 125 | 1995 | 2000 | R |
| | B | 250 Cross | 250 | 1995 | 2000 | R |
| | B | 250 Enduro | 250 | 1995 | 2000 | R |
| | B | 300 Cross | 300 | 1995 | 2000 | R |
| | B | 300 Enduro (2T) | 300 | 1995 | 2000 | R |
| | B | 400 Cross (4T) | 400 | 1995 | 2000 | R |
| | B | 530 Cross (4T) | 530 | 1998 | 2000 | R |
| | B | DAYTONA 675 | 675 | 2013 | | R |
| | B | DAYTONA 675 R (Racing version pad) | 675 | 2013 | | R |
| | B | DAYTONA 675 R (Road version pad) | 675 | 2013 | | R |



CC FROM TO FRONT / REAR

| CC | FROM | TO | FRONT / REAR | | | | |
|---|--------------|--|--------------|--|-------------|-------------------------------|-------------|
| ...FDB2005 | YAMAHA | B STREET TRIPLE 675 | 675 2013 R | | | | |
| | | B STREET TRIPLE 675 R | 675 2013 R | | | | |
| | | B WR 125 R / X | 125 2008 R | | | | |
| | | B TT 600 R | 600 1998 R | | | | |
| | | B TT 600 RE | 600 2004 R | | | | |
| | | B TT-R 600 R | 600 2000 R | | | | |
| | | B MT-03 660 | 660 2008 R | | | | |
| | | B MT-03 660 | 660 2008 R | | | | |
| | | B XT 660 R | 660 2004 R | | | | |
| | | B XT 660 X MOTARD | 660 2004 R | | | | |
| | | B XT 660 Z TENERE | 660 2008 R | | | | |
| | | FDB2006 | APRILIA | B RS 125 EXTREMA - REPLICA | 125 1998 F | | |
| | | | | B PEGASO 600 | 600 1990 F | | |
| B MOTO 650 6.5 | 650 1995 F | | | | | | |
| B PEGASO 650 | 650 1996 F | | | | | | |
| B PEGASO 650 TRAIL | 650 2007 F | | | | | | |
| B PEGASO 650 / I.E. | 650 2001 F | | | | | | |
| B STARCK 650 | 650 1996 F | | | | | | |
| B ETV 1000 CAPONORD / RALLY RAID | 1000 2001 F | | | | | | |
| B C1 125 Scooter | 125 2000 F | | | | | | |
| B C1 200 Scooter | 200 2001 F | | | | | | |
| B C 600 SPORT | 600 2012 F/R | | | | | | |
| B C 650 GT | 650 2012 F/R | | | | | | |
| BMW | BMW | | | B F 650 / 650 ST | 650 1994 F | | |
| | | B F 650 GS / CS | 650 2001 F | | | | |
| | | B F 650 SCARVER | 650 2002 F | | | | |
| | | B G 650 X Challenge / X Country | 650 2007 F | | | | |
| | | B G650 GS | 650 2011 F | | | | |
| | | B F800 GS | 800 2008 F | | | | |
| | | B HP2 Enduro 1200 | 1200 2007 F | | | | |
| | | B R 1200 RT | 1200 2014 R | | | | |
| | | B K 1600 GT/ GTL/GTL E | 1600 2011 R | | | | |
| | | DUCATI | DUCATI | B GT 1000 | 1000 2006 F | | |
| | | | | B PAUL SMART 1000 Limited Edition | 1000 2007 F | | |
| | | | | B SPORT 1000 | 1000 2006 F | | |
| | | | | B Sportclassic GT 1000 / SPORT 1000S / Touring | 1000 2008 F | | |
| B DIAVEL CARBON 1200 (ABS Std) (Racing version pad) | 1198 2014 R | | | | | | |
| B DIAVEL CARBON 1200 (ABS Std) (Road version pad) | 1198 2014 R | | | | | | |
| B DIAVEL DARK 1200 (ABS Std) (Racing version pad) | 1198 2014 R | | | | | | |
| B DIAVEL DARK 1200 (ABS Std) (Road version pad) | 1198 2014 R | | | | | | |
| B DIAVEL STRADA 1200 (ABS Std) (Racing version pad) | 1198 2014 R | | | | | | |
| B DIAVEL STRADA 1200 (ABS Std) (Road version pad) | 1198 2014 R | | | | | | |
| B DIAVEL 1200 (ABS Std) (Racing version pad) | 1200 2011 R | | | | | | |
| B DIAVEL 1200 (ABS Std) (Road version pad) | 1200 2011 R | | | | | | |
| HONDA | HONDA | | | B CB 500 S | 500 1999 F | | |
| | | B CB 500 V | 500 1997 F | | | | |
| | | B NX 500 | 500 1997 F | | | | |
| | | B NT 650 V DEAUVILLE | 650 1998 F | | | | |
| | | B NX 650 DOMINATOR | 650 1998 F | | | | |
| | | B SLR 650 | 650 1997 F | | | | |
| | | B VIGOR 650 | 650 1999 F | | | | |
| | | HUSQVARNA | HUSQVARNA | B BAJA | 650 2013 F | | |
| | | | | B Moab | 650 2012 F | | |
| | | | | B TR 650 strada | 650 2012 F | | |
| | | | | B TR 650 terra | 650 2012 F | | |
| | | | | KTM | KTM | B 690 Enduro R (ABS Std) | 690 2008 F |
| | | | | | | B 950 R SUPERENDURO | 950 2006 F |
| B ADVENTURE 950 | 950 2003 F | | | | | | |
| B 990 ADVENTURE ABS | 990 2008 F | | | | | | |
| B 990 ADVENTURE R | 990 2008 F | | | | | | |
| MOTO GUZZI | MOTO GUZZI | | | | | B 940 - Bellagio | 940 2007 F |
| | | | | | | B BELLAGIO 1000 / Aquila Nera | 1000 2008 F |
| | | | | | | B CALIFORNIA 1000 EV | 1000 1999 R |
| | | | | | | B CENTAURO 1000 | 1000 1996 R |
| | | B 1100 - California 1100 90 | 1100 2012 R | | | | |
| | | B 1100 - California 1100 Aquila Nera | 1100 2009 R | | | | |
| | | B 1100 - California 1100 Classic Touring | 1100 2006 R | | | | |
| | | B 1100 - California 1100 Vintage | 1100 2006 R | | | | |
| | | B CALIFORNIA 1100 | 1100 1997 R | | | | |
| | | B CENTAURO 1100 V11 SPORT | 1100 1999 R | | | | |
| | | B QUOTA 1100 ES | 1100 1999 F | | | | |
| | | B GRAN PASSO 1200 / H83 | 1200 2010 F | | | | |
| | | MOTO MORINI | MOTO MORINI | B SCRAMBLER 1200 | 1200 2010 F | | |
| B Granpasso 1200 / H83 | 1200 2008 F | | | | | | |
| B Scrambler 1200 | 1200 2008 F | | | | | | |
| TRIUMPH | TRIUMPH | | | B THUNDERBIRD 1600 | 1600 2009 R | | |
| | | | | B THUNDERBIRD COMANDER | 1700 2014 R | | |
| | | | | B THUNDERBIRD LT | 1700 2014 R | | |



CC FROM TO FRONT / REAR

| CC | FROM | TO | FRONT / REAR |
|-------------------------------------|--|--|--------------|
| | YAMAHA | B THUNDERBIRD STORM 1700 | 1700 2011 R |
| | | B ROCKET 2300 /Rocket III Classic / Touring / Roadster | 2300 2004 R |
| | | B XT 660 R | 660 2004 F |
| FDB2007 | APRILIA DUCATI | B SXV VDB 450/550 Replica | 450 2007 F |
| | | B 748 RACING CLIENTI | 748 1995 F |
| | | B 880 RACING | 880 1994 F |
| FDB2008 | HONDA | B 916 RACING CLIENTI | 916 1995 F |
| | | B RS 250 R | 250 1995 F |
| FDB2012 | KAWASAKI | B ZR 400 ZEPHYR | 400 1993 R |
| | | B ZRX 400 | 400 1998 R |
| | | B ZRX 400 (ZR 400 E2) | 400 1999 R |
| | | B ZXR 400 | 400 1994 R |
| | | B ZZR 400 | 400 1993 R |
| | | B ZR 550 ZEPHYR | 550 1993 R |
| | | B ZX 6RR (ZX 599 B1) | 599 2003 R |
| | | B ZX 6RR (ZX 599 B1) - Racing Applications | 599 2003 R |
| | | B ZX 6R 600 NINJA | 600 1994 R |
| | | B ZX 6R 600 NINJA | 600 1998 R |
| | | B ZX 6R 600 NINJA | 600 2007 R |
| | | B ZX 6R 600 NINJA (Racing Applications) | 600 1998 R |
| | | B ZZR 600 | 600 1993 R |
| FDB2013 | KAWASAKI ATV SUZUKI ATV | B ZX 6R (ZX 636 K1) | 636 2003 R |
| | | B ZX 6R (ZX 636 K1) - Racing Applications | 636 2003 R |
| | | B ER-6 650 F / N (right) | 650 2005 R |
| | | B VERSYS 650 (left) | 650 2007 R |
| | | B Z 750 / Z 750 S (left) | 750 2004 R |
| | | B X-9 R 900 NINJA | 900 1994 R |
| | | B ZX-9R 900 R NINJA (B1 - B2) | 900 1994 R |
| | | B ZX-9R 900 R NINJA (B1 - B2) | 900 1996 R |
| | | B ZX-9R 900 R NINJA (B1 - B2) | 900 1998 R |
| | | B ZX-9R 900 R NINJA (B3 - B4) (C1 - C2) (E1 - E2) | 900 2000 R |
| | | B ZX-9R 900 R NINJA (Racing Applications) | 900 1996 R |
| | | B ZX-9R 900 R NINJA (Racing Applications) | 900 1998 R |
| | | B ZX-9R 900 R NINJA (Racing Applications) | 900 2000 R |
| B ZX-9R 900 R NINJA F1-F2 | 900 2002 R | | |
| B Z 1000 (ZR 1000 A1) | 1000 2003 R | | |
| B Z 1000 / ABS / SX | 1000 2010 R | | |
| B Z 1000 / SE | 1000 2012 R | | |
| B Z 1000 SX | 1000 2012 R | | |
| B Z1000 | 1000 2014 R | | |
| B ZX-10R 1000 | 1000 2004 R | | |
| B ZX-10R 1000 | 1000 2008 R | | |
| B ZX-10R 1000 - Racing Applications | 1000 2004 R | | |
| B GPZ 1100 (left) | 1100 1995 R | | |
| B 1400 GTR | 1400 2012 R | | |
| FDB2014 | YAMAHA 3 WHEELERS YAMAHA ATV YAMAHA SNOWMOBILE | A KSF 250 A8 - A9 | 250 1994 F |
| | | A KSF 250 MOJAVE A Series | 250 1987 F |
| | | A KXF 250 Tecate | 250 1987 F |
| | | A KXF 250 Tecate | 250 1989 F |
| | | A KEF 300 LAKOTA A Series, LAKOTA SPORT B Series | 300 1995 F |
| | | A LT 230 EH/EJ/EK/EL/EM/EN/EP | 230 1986 F |
| | | A LT 230 S QUADSPORT | 230 1985 F |
| | | A LT 230 S QUADSPORT | 230 1989 F |
| | | A LT 250 R | 250 1985 F |
| | | A LT 250 R | 250 1987 F |
| | | A LT 250 S | 250 1989 F |
| | | A LT 500 R | 500 1987 F |
| | | A YT 125 G/H/J/K/L/N | 125 1980 R |
| A YT 175 J/K | 175 1982 R | | |
| A YTM 200 EK/EL | 200 1983 R | | |
| A YTM 200 ERN | 200 1985 R | | |
| A YTM 200 K/L/N | 200 1983 R | | |
| A YTM 225 DRN/DRS | 225 1985 R | | |
| A YTM 225 DXK/DXL/DXN | 225 1983 R | | |
| A YFM 200 (Moto 4) | 200 1985 R | | |
| A YFM 225 (Moto 4) | 225 1986 R | | |
| A YFM 250 W/A/B | 250 1989 R | | |
| A YFM 350 ER E/F/G | 350 1993 R | | |
| A YFM 350 ER W/A/D | 350 1989 R | | |
| A YFM 350 ERT/ERU | 350 1987 R | | |
| A YFM 350 FW T/U | 350 1987 R | | |
| A YFM 350 FW T/U BIG BEAR | 350 1987 R | | |
| A YFM 350 FW W/A/B/D/E/F/G BIG BEAR | 350 1989 R | | |
| S EXCEL V | 1979 F | | |
| S EXCITER | 1976 F | | |
| S GPX (All Models) | 1974 F | | |
| S OVATION | 1989 F | | |
| S PHAZER | 1984 F | | |

B = Bike
A = ATV
S = Snowmobile

B = Bike
A = ATV
S = Snowmobile



CC FROM TO FRONT / REAR

| Code | Brand | Model | CC | FROM | TO | FRONT / REAR | |
|-------------------|-------------------------------|---------------------------------|--|------|------|--------------|---|
| ...FDB2014 | | S SNO-SCOOT | | 1989 | 1991 | F | |
| | | S SPV | | 1980 | 1991 | F | |
| | | S SS 440 | | 1980 | 1993 | F | |
| | | S SSR | | 1978 | 2000 | F | |
| | | S V-MAX | | 1983 | 1991 | F | |
| | | S VK X 440 | | 1989 | 1991 | F | |
| | | S XL-V | | 1985 | 1990 | F | |
| FDB2015 | KAWASAKI | B KLE 250 ANHELO | 250 | 2000 | 2002 | R | |
| | YAMAHA | B DT 50 LCD | 50 | 1996 | 1998 | F | |
| | | B YZ 80 | 80 | 1986 | 1992 | F | |
| | | B YZ 80 | 80 | 1993 | 2001 | F | |
| | | B YZ 85 LW | 85 | 2002 | 2012 | F | |
| B TT-R 125 LW | 125 | 2000 | 2012 | F | | | |
| FDB2016 | ARCTIC CAT ATV | A 400 DVX | 400 | 2004 | 2008 | R | |
| | HYOSUNG ATV | A RAPIER 450 /S | 450 | 2008 | | F/R | |
| | KAWASAKI ATV | A KSF 400 / KFX 400 | 400 | 2004 | 2006 | R | |
| | | A KSF 450 / KFX 450 | 450 | 2007 | | R | |
| | SUZUKI ATV | A LT 250 R | 250 | 1987 | 1992 | R | |
| | | A LT-Z 400 QUADSPORT | 400 | 2003 | 2009 | R | |
| | | A LT-A 450 KING QUAD (left) | 450 | 2007 | 2009 | R | |
| | | A LT-R 450 K/Z (left) | 450 | 2006 | | R | |
| | | A LT-R 450 Z Quad Racer (right) | 450 | 2008 | | R | |
| | | A LT 500 R | 500 | 1987 | 1990 | R | |
| | | A LT-A 500 KING QUAD 4x4 (left) | 500 | 2009 | | R | |
| | | A LT-A 700 KING QUAD (left) | 700 | 2005 | 2007 | R | |
| | A LT-A 750 KING QUAD (left) | 750 | 2008 | | R | | |
| FDB2017 | YAMAHA ATV | A YFS 200 BLASTER | 200 | 1988 | 2002 | R | |
| FDB2018 | ALFER | B AR 250 | 250 | 1993 | | F | |
| | | B NO LIMITS 250 | 250 | 1995 | | F | |
| | | B VR 250 | 250 | 1994 | | F | |
| | | B VR 250 ENDURO | 250 | 1995 | | F | |
| | | B VR 250 MOTOCROSS | 250 | 1995 | | F | |
| | | B VR 250 SUPERMOTARD | 250 | 1999 | | F | |
| | | APRILIA | B MX 125 | 125 | 2004 | | F |
| | | | B RX 125 | 125 | 1995 | | F |
| | | | B RX 125 (AJP Calipers Front & Rear) | 125 | 2008 | 2012 | F |
| | | | B RX 125 (Brembo Front & Gremica Rear caliper) | 125 | 2008 | 2012 | F |
| B SX 125 | 125 | 2008 | | F | | | |
| B SRV 850 ABS ATC | 850 | 2013 | | F | | | |
| B RST FUTURA 1000 | 1000 | 2001 | | R | | | |
| ATK (USA) | B all models 1996-01 | | 1996 | 2001 | F | | |
| BENELLI | B BX Motard (250cc) | 250 | 2012 | | F | | |
| | B BX Cross (449cc) | 449 | 2007 | 2012 | F | | |
| | B BX Enduro (505cc) | 505 | 2008 | 2012 | F | | |
| BMW | B G450 X | 450 | 2008 | | F | | |
| CAGIVA | B ELEFANT 750 | 750 | 1994 | | R | | |
| CCM | B 604 E 600 SPORT | 600 | 1999 | | F | | |
| | B 604 E 600 SUPERMOTO | 600 | 1999 | | F | | |
| | B C 25 600 | 600 | 1996 | | F | | |
| | B 604 RS ROADSTER | 604 | 2000 | | F | | |
| DERBI | B GP800 | 800 | 2010 | 2010 | F | | |
| | B GP800 | 800 | 2011 | | F | | |
| DUCATI | B MULTISTRADA 620 (twin disc) | 620 | 2005 | 2006 | F | | |
| | B MULTISTRADA DARK 620 | 620 | 2003 | 2005 | F | | |
| | B MONSTER 695 | 695 | 2006 | 2008 | F | | |
| GASGAS | B MONSTER S2R 800 | 800 | 2007 | | F | | |
| | B ENDURCROSS 80 | 80 | 1994 | | F | | |
| | B CROSS 125 | 125 | 1994 | | F | | |
| | B EC / MC 125 | 125 | 1996 | 1999 | F | | |
| | B ENDURCROSS 125 | 125 | 1994 | | F | | |
| | B TT 125 | 125 | 1995 | | F | | |
| | B TT 125 ENDURCROSS | 125 | 1993 | | F | | |
| | B CROSS 250 | 250 | 1995 | | F | | |
| | B EC / MC 250 | 250 | 1996 | 1999 | F | | |
| | B ENDURCROSS 250 | 250 | 1995 | | F | | |
| | B TT 250 | 250 | 1995 | | F | | |
| | B EC / MC 300 | 300 | 1996 | 1999 | F | | |
| GASGAS ATV | A WILD HP 50 | 50 | 2002 | 2005 | F/R | | |
| | A HP 125 | 125 | 2007 | 2008 | F/R | | |
| | A HP 200 | 200 | 2008 | | F/R | | |
| | A WILD HP 240 | 240 | 2002 | 2005 | F/R | | |
| | A WILD HP 250 | 250 | 2008 | | F/R | | |
| | A HP 300 RV | 300 | 2006 | | F/R | | |
| | A WILD HP 300 | 300 | 2002 | 2005 | F/R | | |
| | A WILD HP 450 | 450 | 2002 | 2008 | F/R | | |
| | A WILD HP 515 | 515 | 2009 | | F/R | | |
| | GILERA | B NEXUS 500 | 500 | 2004 | | F | |
| B GP800 | | 800 | 2008 | | F | | |



CC FROM TO FRONT / REAR

| Code | Brand | Model | CC | FROM | TO | FRONT / REAR | |
|------------------------|-------------------------|--------------------------------|----------------------------|------|------|--------------|---|
| HUSABERG | | B FC 501 | 50 | 1998 | | F | |
| | | B FE 501 S - E | 50 | 1998 | | F | |
| | | B FE 350 / 450 / 550 / 650 / E | 350 | 1995 | | F | |
| | | B FC 400 | 400 | 1999 | | F | |
| | | B FE 400 S - E | 400 | 1998 | | F | |
| | | B FE 450 | 450 | 2003 | 2006 | F | |
| | | B 500 all models | 500 | 1993 | 1995 | F | |
| | | B 500 all models | 500 | 1996 | | F | |
| | | B FC 350 / 450 / 550 | 550 | 1995 | | F | |
| | | B FE 550 E Strada | 550 | 2008 | | F | |
| | | B FE 570 | 570 | 2009 | | F | |
| | | B FC 600 SUPERMOTARD | 600 | 1998 | | F | |
| | | B FE 600 S - E - R | 600 | 1998 | | F | |
| | | B FE 650 E | 650 | 2006 | 2008 | F | |
| | | HUSQVARNA | B 125 ALL MODELS 1994-1995 | 125 | 1994 | 1995 | F |
| | | | B CR 125 | 125 | 1996 | 2004 | F |
| | | | B CR 125 | 125 | 2005 | 2012 | F |
| | | | B ENDURO WR 125 | 125 | 2010 | | F |
| | | | B SM 125 S | 125 | 2002 | 2011 | F |
| | | | B SM 125 S (4T) | 125 | 2011 | | F |
| | | | B SM 125 S SUPERMOTARD | 125 | 1998 | 1999 | F |
| | | | B TE 125 | 125 | 2007 | 2010 | F |
| | | | B TE 125 | 125 | 2011 | | F |
| | | | B WR 125 | 125 | 1998 | 2005 | F |
| | | | B WR 125 / WRE 125 | 125 | 2006 | | F |
| | | | B WRE 125 / DUAL | 125 | 1994 | | F |
| | | B 250 ALL MODELS 1994-1995 | 250 | 1994 | 1995 | F | |
| | | | CR 250 | 250 | 1996 | | F |
| | | | CR 250 | 250 | 2005 | 2007 | F |
| | | | SMS 250 | 250 | 2011 | | F |
| | | | TC / TE 250 | 250 | 2002 | 2005 | F |
| | | | TC / TE 250 | 250 | 2006 | | F |
| | | | TC 250 R | 250 | 2013 | | F |
| TE 250 R | 250 | | 2012 | | F | | |
| WR 250 | 250 | | 1998 | | F | | |
| WR 300 | 300 | | 2009 | | F | | |
| TE 310 | 310 | | 2009 | | F | | |
| TE 310 R | 310 | | 2012 | | F | | |
| TE 350 | 350 | 1996 | | F | | | |
| WR 360 ENDURO | 360 | 1998 | 1999 | F | | | |
| TE 400 E DUAL - ENDURO | 400 | 1998 | | F | | | |
| TE 410 E | 410 | 2000 | | F | | | |
| TC / TE 449 | 449 | 2011 | | F | | | |
| ENDURO TE 450/510 | 450 | 2010 | | F | | | |
| TC / TE 450 | 450 | 2003 | 2006 | F | | | |
| TC / TE 450 | 450 | 2007 | 2010 | F | | | |
| TC / TE 510 | 510 | 2004 | 2005 | F | | | |
| TC / TE 510 | 510 | 2006 | | F | | | |
| TC 511 | 511 | 2011 | | F | | | |
| TE 570 | 570 | 2004 | | F | | | |
| LT 600 DUAL | 600 | 1998 | | R | | | |
| TE 600 | 600 | 1996 | | F | | | |
| TE 600 E DUAL - ENDURO | 600 | 1998 | | F | | | |
| TC 610 | 610 | 1996 | | F | | | |
| TE 610 E | 610 | 1995 | | F | | | |
| TE 630 | 630 | 2010 | | F | | | |
| KEEWAY | Silverblade 125/150/250 | 125 | 2007 | | F | | |
| | KTM | B 125 all models | 125 | 1992 | 1993 | F/R | |
| | | B 125 EXC | 125 | 1998 | 2003 | F | |
| | | B 125 EXC | 125 | 2004 | | F | |
| | | B 125 EXC Six Days | 125 | 2011 | | F | |
| | | B 125 SX | 125 | 2004 | | F | |
| | | B EXE 125 | 125 | 2000 | 2003 | F | |
| | | B LC2 125 | 125 | 1998 | | F | |
| | | B SX 125 | 125 | 1996 | 2002 | F | |
| | | B SX 125 | 125 | 2003 | | F | |
| | | B 150 SX | 150 | 2008 | | F | |
| | | B 200 EXC | 200 | 1998 | | F | |
| B EGS 200 | 200 | 1998 | | F | | | |
| B SX 200 | 200 | 2003 | | F | | | |
| B 250 all models | 250 | 1992 | 1993 | F/R | | | |
| B 250 all models | 250 | 1994 | 1995 | F | | | |
| B 250 EXC | 250 | 1998 | 2006 | F | | | |
| B 250 EXC Six Days | 250 | 2011 | | F | | | |
| B 250 EXC-F | 250 | 2007 | | F | | | |
| B 250 EXC-F Six Days | 250 | 2011 | | F | | | |
| B 250 SX | 250 | 1996 | 2002 | F | | | |
| B 250 SX-F | 250 | 2003 | | F | | | |

3030

B = Bike
A = ATV
S = Snowmobile

FERODO

MOTORCYCLE PADS

Updated on 30th Jan 2014

B = Bike
A = ATV
S = Snowmobile



CC FROM TO FRONT / REAR

...FDB2018

| | | CC | FROM | TO | FRONT / REAR |
|------------|-------------------------------|------|------|------|--------------|
| B | MX 250 | 250 | 2003 | | F |
| B | Superenduro 250 - S | 250 | 2008 | | F/R |
| B | 300 all models | 300 | 1994 | 1995 | F |
| B | 300 EXC | 300 | 1998 | 2006 | F |
| B | 300 EXC | 300 | 2007 | | F |
| B | 300 EXC Six Days | 300 | 2011 | | F |
| B | MX 300 | 300 | 2004 | | F |
| B | 350 EXC-F | 350 | 2012 | | F |
| B | 350 EXC-F Six Days | 350 | 2012 | | F |
| B | 350 SX-F | 350 | 2011 | | F |
| B | 350 XC-F | 350 | 2011 | | F |
| B | 350 XCF W | 350 | 2011 | | F |
| B | GS 350 4 STROKE | 350 | 1993 | | F |
| B | SX 380 | 380 | 1998 | | F |
| B | ECX 400 | 400 | 2006 | | F |
| B | LC4 400 E | 400 | 1998 | | F |
| B | SX 400 | 400 | 2000 | | F |
| B | SXC 400 | 400 | 1998 | | F |
| B | 450 EXC | 450 | 2004 | | F |
| B | 450 EXC Six Days | 450 | 2011 | | F |
| B | 450 SX-F | 450 | 2007 | | F |
| B | MX 450 | 450 | 2003 | | F |
| B | SX 450 / F | 450 | 2003 | | F |
| B | 500 all models | 500 | 1993 | 1993 | F/R |
| B | 500 all models | 500 | 1994 | 1995 | F |
| B | 500 EXC | 500 | 1998 | 2011 | F |
| B | 500 EXC | 500 | 2012 | | F |
| B | 500 EXC Six Days | 500 | 2012 | | F |
| B | 500 XC-W | 500 | 2012 | | F |
| B | SX / MX 525 | 525 | 2003 | | F |
| B | SXC 540 | 540 | 1998 | | F |
| B | MX 600 | 600 | 1992 | | F |
| B | SC 600 | 600 | 1998 | | F |
| B | ADVENTURE 620 / 625 / 640 R | 620 | 1998 | | F |
| B | LC4 620 COMPETITION | 620 | 1998 | | F |
| B | DUKE 2 640 | 640 | 1998 | 1999 | F |
| B | LC4 640 E | 640 | 1998 | | F |
| B | LC4 640 SUPERMOTO | 640 | 1998 | | F |
| B | SXC 650 | 650 | 2004 | | F |
| B | 950 R SUPERENDURO | 950 | 2006 | 2008 | R |
| B | ADVENTURE 950 | 950 | 2003 | | R |
| B | SUPERMOTO 950 | 950 | 2005 | | R |
| B | 990 ADVENTURE ABS | 990 | 2008 | | R |
| B | 990 ADVENTURE R | 990 | 2008 | | R |
| B | 990 SMR | 990 | 2008 | 2009 | R |
| B | 990 SMR (Racing version pad) | 990 | 2010 | | R |
| B | 990 SMR (Road version pad) | 990 | 2010 | | R |
| B | 990 SMT | 990 | 2009 | | R |
| B | 1190 ADVENTURE (ABS Std) | 1190 | 2013 | | R |
| B | 1190 ADVENTURE R (ABS Std) | 1190 | 2013 | | R |
| MAICO | 250 CROSS | 250 | 1998 | | F |
| B | 500 CROSS | 500 | 1998 | | F |
| MBK | DOODO 125 | 125 | 2001 | 2003 | F |
| B | SKYLINER 01 - 125 | 125 | 1998 | 2000 | F |
| B | SKYLINER 125 / S.E. | 125 | 2001 | | F |
| B | THUNDER 125 | 125 | 2001 | | F |
| B | DOODO 150 | 150 | 2001 | 2003 | F |
| B | SKYLINER 150 | 150 | 2000 | 2002 | F |
| B | THUNDER 150 | 150 | 2001 | 2002 | F |
| B | SKYLINER 180 | 180 | 2004 | | F |
| B | KILIBRE 300 | 300 | 2003 | | F/R |
| MOTO GUZZI | BREVA V 850 | 850 | 2007 | | R |
| B | GRISO 850 | 850 | 2007 | | R |
| B | 940 - Bellagio | 940 | 2007 | 2012 | R |
| B | CALIFORNIA Classic / Vintage | 1000 | 2007 | | R |
| B | BREVA V 1100 (Std/ABS Models) | 1100 | 2005 | 2007 | R |
| B | GRISO 1100 | 1100 | 2005 | 2008 | R |
| B | QUOTA 1100 ES | 1100 | 1999 | 2001 | R |
| B | BREVA 1200 | 1200 | 2008 | 2009 | R |
| B | BREVA 1200 SPORT | 1200 | 2008 | 2013 | R |
| B | GRAN PASSO 1200 / H83 | 1200 | 2010 | | R |
| B | GRANFERRO 1200 | 1200 | 2010 | | R |
| B | GRANFERRO 1200 | 1200 | 2010 | | R |
| B | GRISO SE 1200 8V | 1200 | 2007 | 2013 | R |
| B | NORGE 1200 | 1200 | 2006 | 2008 | R |
| B | NORGE 1200 GT 8V ABS | 1200 | 2010 | | R |
| B | SCRAMBLER 1200 | 1200 | 2010 | | R |
| B | STELVIO 1200 / 1200 NTX ABS | 1200 | 2008 | | R |



CC FROM TO FRONT / REAR

| | | CC | FROM | TO | FRONT / REAR |
|-------------|--------------------------------------|------|------|------|--------------|
| B | V12 LM | 1200 | 2010 | | R |
| MOTO MORINI | B | 1200 | 2008 | | R |
| B | Granpasso 1200 / H83 | 1200 | 2008 | | R |
| B | Scrambler 1200 | 1200 | 2008 | | R |
| PIAGGIO | B | 400 | 2007 | | F |
| B | Beverley 400 ie | 400 | 2007 | | F |
| B | X9 500 | 500 | 2003 | | F |
| B | X9 500 ie | 500 | 2007 | | F |
| RIEJU | B | 250 | 2010 | | F |
| B | MARATHON 250 | 250 | 2010 | | F |
| B | MARATHON 450 | 450 | 2010 | | F |
| SHERCO | B | 250 | 2008 | 2011 | F |
| B | Enduro 2.5i (4T) Inc. SE Models | 250 | 2008 | | F |
| B | SM 2.5i Supermotard (4T) | 250 | 2008 | | F |
| B | SX 2.5i F Moto Cross | 250 | 2010 | | F |
| B | Enduro SE 3.0i (4T) | 300 | 2010 | 2011 | F |
| B | Enduro 4.5i (4T) Inc SE Models | 450 | 2004 | 2011 | F |
| B | SM 4.5i F (Supermotard) | 450 | 2004 | 2010 | F |
| B | Enduro 5.1iF Inc SE Models | 510 | 2007 | 2011 | F |
| B | SM 5.1i F Supermotard | 510 | 2007 | | F |
| TM | B | | 1996 | 2001 | F |
| B | 80/85 Cross | | 1996 | 2001 | F |
| B | 80/85/100 (Big wheel) | | 2002 | 2004 | F |
| B | 80/85/100 Junior | | 2005 | 2007 | F |
| B | 80/85/100 Junior Cross (Small wheel) | | 2002 | 2004 | F |
| B | 80 Enduro | 80 | 1996 | 2000 | F |
| B | MX 85 (Big Wheel) | 85 | 2002 | 2004 | F |
| B | MX 85 (Big Wheel) | 85 | 2005 | 2012 | F |
| B | MX 85 JR (Small Wheel) | 85 | 2002 | 2004 | F |
| B | MX 85 JR (Small Wheel) | 85 | 2005 | 2012 | F |
| B | 125 Cross | 125 | 1995 | 2000 | F |
| B | 125 Enduro | 125 | 1995 | 2000 | F |
| B | Enduro EN 125 (2T) | 125 | 2001 | 2004 | F |
| B | Enduro EN 125 (2T) | 125 | 2005 | 2012 | F |
| B | Enduro EN 125 (2T) - USA VERSION | 125 | 2005 | 2008 | F |
| B | MX 125 (2T) | 125 | 2001 | 2012 | F |
| B | EN 144 (2T) | 144 | 2008 | 2012 | F |
| B | MX 144 (2T) | 144 | 2008 | 2012 | F |
| B | 250 Cross | 250 | 1995 | 2000 | F |
| B | 250 Enduro | 250 | 1995 | 2000 | F |
| B | Enduro EN 250 (2T) | 250 | 2001 | 2004 | F |
| B | Enduro EN 250 (2T) | 250 | 2005 | 2008 | F |
| B | Enduro EN 250 Fi | 250 | 2010 | 2011 | F |
| B | MX 250 (2T) | 250 | 2001 | 2004 | F |
| B | MX 250 (2T) | 250 | 2005 | 2012 | F |
| B | MX 250 (4T) Cross | 250 | 2002 | 2004 | F |
| B | MX 250 (4T) Cross | 250 | 2005 | 2012 | F |
| B | MX 250 Fi (4T) | 250 | 2010 | 2012 | F |
| B | 300 Cross | 300 | 1995 | 2000 | F |
| B | 300 Enduro (2T) | 300 | 1995 | 2000 | F |
| B | Enduro EN 300 (2T) | 300 | 2001 | 2004 | F |
| B | Enduro EN 300 (2T) | 300 | 2005 | 2012 | F |
| B | MX 300 (2T) | 300 | 2001 | 2004 | F |
| B | MX 300 (2T) | 300 | 2005 | 2012 | F |
| B | 400 (4T) MX Cross | 400 | 2002 | 2003 | F |
| B | 400 Cross (4T) | 400 | 1995 | 2000 | F |
| B | EN 450 F (4T) | 450 | 2004 | 0000 | F |
| B | EN 450 F (4T) | 450 | 2005 | 2012 | F |
| B | MX 450 F (4T) | 450 | 2004 | 0000 | F |
| B | MX 450 F (4T) | 450 | 2005 | 2012 | F |
| B | MX 450 F - USA versiom | 450 | 2005 | 2008 | F |
| B | 530 Cross (4T) | 530 | 1998 | 2000 | F |
| B | EN 530 F (4T) | 530 | 2004 | 0000 | F |
| B | EN 530 F (4T) | 530 | 2005 | 2012 | F |
| B | MX 530 F | 530 | 2004 | 0000 | F |
| B | MX 530 F | 530 | 2005 | 2011 | F |
| YAMAHA | B | 125 | 2001 | 2003 | F |
| B | MAXTER 125 | 125 | 2001 | 2003 | F |
| B | XQ 125 N MAXSTER | 125 | 2001 | 2003 | F |
| B | YP 125 MAJESTY R | 125 | 1998 | 2000 | F |
| B | YP 125 MAJESTY R | 125 | 2001 | | F |
| B | YZF-R 125 | 125 | 2008 | | F |
| B | YP 150 MAJESTY | 150 | 2001 | 2003 | F |
| B | VERSITY 300 | 300 | 2004 | | F/R |
| B | TT 600 | 600 | 1993 | | F |
| B | TT 600 R | 600 | 1998 | 1999 | F |
| B | TT 600 R (SPORTKIT) | 600 | 1994 | 1997 | F |
| B | TT 600 RE | 600 | 2004 | | F |
| B | TT-R 600 R | 600 | 2000 | 2003 | F |
| B | XT 660 Z TENERE | 660 | 2008 | | F |
| FDB2036 | B | | 1998 | 2002 | F |
| B | all models | | 1998 | 2002 | F |
| HONDA | B | 1300 | 1998 | 2000 | F |
| B | CB 1300 SF | 1300 | 1998 | 2000 | F |
| KAWASAKI | B | 750 | 1996 | 1999 | F |
| B | ZX-7 750 RR NINJA N1 | 750 | 1996 | 1999 | F |
| B | ZRX 1100 | 1100 | 1996 | 2000 | F |

B = Bike
A = ATV
S = Snowmobile

FERODO
MOTORCYCLE PADS
Updated on 30th Jan 2014

B = Bike
A = ATV
S = Snowmobile

3031



| | | | CC | FROM | TO | FRONT / REAR | | |
|------------------------------|---|---------------------------------------|---------------------------|-------------------------------------|------|--------------|------|-----|
| ...FDB2036 | MV AGUSTA | B F4 750 Brutale | 750 | 1999 | | F | | |
| | | B BRUTALE 910 / Hydrogen | 910 | 2007 | | F | | |
| | | B F4 1000 | 1000 | 2003 | 2005 | F | | |
| FDB2037 | PIAGGIO | B SFERA 50 RST | 50 | 1995 | 1997 | F | | |
| | | B SFERA 125 | 125 | 1995 | 1997 | F | | |
| FDB2039 | BMW | B R 850 C | 850 | 1999 | 2000 | R | | |
| | | B R 850 GS | 850 | 1999 | 2000 | R | | |
| | | B R 850 R | 850 | 2001 | | R | | |
| | | B R 850 R ROADSTER | 850 | 1995 | 2000 | R | | |
| | | B R 850 RT | 850 | 2002 | 2003 | R | | |
| | | B R 1100 GS (ABS) | 1100 | 1994 | 1999 | R | | |
| | | B R 1100 R ROADSTER | 1100 | 1995 | 2000 | R | | |
| | | B R 1100 RS (ABS) | 1100 | 1994 | 1999 | R | | |
| | | B R 1100 RT (ABS) | 1100 | 1995 | 2001 | R | | |
| | | B R 1100 S (no ABS) | 1100 | 2001 | | R | | |
| | | B R 1100 S ABS | 1100 | 2001 | | R | | |
| | | B R 1150 GS | 1150 | 1998 | 2001 | R | | |
| | | B R 1150 GS | 1150 | 2001 | | R | | |
| | | B R 1150 GS ADVENTURE | 1150 | 2003 | | R | | |
| | | B R 1150 R / ROCKSTER | 1150 | 2001 | | R | | |
| | | B R 1150 R ROADSTER | 1150 | 2001 | | R | | |
| | | B R 1150 RS / RT | 1150 | 2002 | | R | | |
| | | B R 1150 RT | 1150 | 2001 | | R | | |
| | | B HP2 Enduro 1200 | 1200 | 2007 | | R | | |
| | | B HP2 Megamoto 1200 | 1200 | 2008 | | R | | |
| | | B HP2 Sport 1200 (Racing version pad) | 1200 | 2008 | | R | | |
| | | B HP2 Sport 1200 (Road version pad) | 1200 | 2008 | | R | | |
| | | B K 1200 GT | 1200 | 2007 | | R | | |
| | | B K 1200 RT | 1200 | 2008 | | R | | |
| | | B K 1200 S / R | 1200 | 2004 | | R | | |
| | | B R 1200 C | 1200 | 1997 | 2000 | R | | |
| | | B R 1200 C CLASSIC | 1200 | 2003 | | R | | |
| | | B R 1200 C MONTAUK | 1200 | 2004 | | R | | |
| | | B R 1200 GS | 1200 | 2013 | | R | | |
| | | B R 1200 GS /Adventure | 1200 | 2004 | | R | | |
| | | B R 1200 GS ADVENTURE | 1200 | 2014 | | R | | |
| | | B R 1200 R | 1200 | 2007 | | R | | |
| | | B R 1200 S / ST / RT | 1200 | 2007 | | R | | |
| | | B K 1300 GT | 1300 | 2009 | | R | | |
| | | B K 1300 R | 1300 | 2009 | | R | | |
| | | B K 1300 S | 1300 | 2009 | | R | | |
| | | MOTO GUZZI | B CALIFORNIA (all models) | 1000 | 2001 | 2006 | R | |
| | | VICTORY | B V92C | 1500 | 1998 | | R | |
| | | FDB2040 | INDIAN | B CHIEF / SPIRIT / SCOUT All Models | | 2003 | | F/R |
| | | FDB2042 | APRILIA | B RS 250 | 250 | 1998 | | F |
| | | | | B PEGASO 650 STRADA | 650 | 2004 | | F |
| | | | | B RST FUTURA 1000 | 1000 | 2001 | | F |
| | | | | B RSV 1000 MILLE | 1000 | 1997 | 2000 | F |
| | | | B RSV 1000 MILLE R / SP | 1000 | 2000 | | F | |
| | | | B RSV 1000 TUONO | 1000 | 2004 | | F | |
| | | | B SL 1000 FALCO | 1000 | 2000 | | F | |
| | | | BENELLI | B 666 125 | 125 | 1998 | | F |
| | | | | B 2 UE 750 | 750 | 2009 | 2010 | F |
| | | | | B TORNADO NAKED TRE 899 / S | 899 | 2007 | 2011 | F |
| B TRE 899 K | 899 | | | 2007 | 2012 | F | | |
| B 900 TORNADO | 900 | | | 2000 | | F | | |
| B TNT 1130 Cafe Racer | 1130 | | | | 2005 | F | | |
| B TNT 1130 Titanium | 1130 | | | 2005 | | F | | |
| B Tornado Naked Tre TNT 1130 | 1130 | | | 2006 | 2007 | F | | |
| B TRE-K 1130 | 1130 | | | 2006 | 2012 | F | | |
| B TRE-K 1130 Amazonas | 1130 | | | 2007 | 2012 | F | | |
| BIMOTA | B SB8K Gobert (Suzuki Engine) (996cc) | | | 996 | 2006 | | F | |
| | B SB 8 1000 R | | | 1000 | 1998 | | F | |
| BMW | B G 650 X Moto | | 650 | 2008 | | F | | |
| | B F800 GT | | 800 | 2013 | | F | | |
| CAGIVA | B F800 S / ST / R | | 800 | 2007 | | F | | |
| | B RAPTOR 650 / 650 i.e. | | 650 | 2001 | | F | | |
| | B V RAPTOR 650 | | 650 | 2001 | | F | | |
| | B RAPTOR 1000 | | 1000 | 2000 | | F | | |
| | B RAPTOR V 1000 | | 1000 | 2001 | | F | | |
| | B RAPTOR XTRA 1000 | | 1000 | 2003 | | F | | |
| DUCATI | B 400 MONSTER (JAPAN) | | 400 | 2000 | | F | | |
| | B M 600 MONSTER | | 600 | 2000 | | F | | |
| | B M 600 MONSTER | | 600 | 2001 | | F | | |
| | B M 620 MONSTER | | 620 | 2002 | 2003 | F | | |
| | B M 620 MONSTER DARK (single/twin disc) | | 620 | 2003 | | F | | |
| | B MULTISTRADA 620 DARK (single disc) | | 620 | 2005 | 2006 | F | | |
| | B SPORT 620 | | 620 | 2003 | | F | | |



| | | | CC | FROM | TO | FRONT / REAR | |
|--|------------------------------|---|---|------|------|--------------|---|
| | MONSTER 696 | B MONSTER 696 | 696 | 2008 | 2013 | F | |
| | | B 748 BIPOSTO | 748 | 1998 | | F | |
| | | B 748 RACING CLIENTI | 748 | 1998 | | F | |
| | | B 748 SPS | 748 | 1998 | | F | |
| | | B 750 SPORT | 750 | 2001 | 2002 | F | |
| | | B 750 SUPERSPORT | 750 | 1998 | 2002 | F | |
| | | B M 750 MONSTER | 750 | 2000 | | F | |
| | | B M 750 MONSTER | 750 | 2001 | 2002 | F | |
| | | B HYPERMOTARD 796 | 796 | 2010 | | F | |
| | | B MONSTER 796 (ABS Std) | 796 | 2011 | 2013 | F | |
| | | B 800 SUPERSPORT | 800 | 2003 | | F | |
| | | B MONSTER 800 | 800 | 2003 | 2006 | F | |
| | | B 848 | 848 | 2008 | | F | |
| | | B Streetfighter 848 | 849 | 2014 | | F | |
| | | B FE 900 SUPERSPORT | 900 | 1998 | | F | |
| | | B M 900 MONSTER | 900 | 2001 | | F | |
| | | B M 900 MONSTER I.E. | 900 | 2000 | | F | |
| | | B 916 ST2 | 916 | 2001 | 2002 | F | |
| | | B 916 STRADA | 916 | 1998 | | F | |
| | | B 916 SUPERSPORT 4 | 916 | 1998 | | F | |
| | | B M 916 MONSTER S4 | 916 | 2001 | 2002 | F | |
| | | B 944 ST2 | 944 | 1997 | 2002 | F | |
| | | B 944 ST4 | 944 | 1999 | | F | |
| | | B 944 SUPERSPORT 2 | 944 | 1998 | 2002 | F | |
| | | B ST3 992 | 992 | 2004 | | F | |
| | | B 996 BIPOSTO | 996 | 1999 | | F | |
| | | B 996 SPS / S | 996 | 1998 | | F | |
| | | B ST4 / ST4 ABS 996 | 996 | 2001 | | F | |
| | | B 998 BIPOSTO | 998 | 2002 | | F | |
| | | B 998 S | 998 | 2002 | | F | |
| | | B MONSTER 1000 | 1000 | 2003 | 2006 | F | |
| | | B MONSTER S2R 1000 | 1000 | 2007 | | F | |
| | | B MONSTER S2R 1000 | 1000 | 2008 | | F | |
| | | B MONSTER S4R /S4RS 1000 | 1000 | 2008 | | F | |
| | | B MULTISTRADA 1000 / 1000 DS / 1000S DS | 1000 | 2003 | 2006 | F | |
| | | B SUPERSPORT 1000 DS | 1000 | 2003 | | F | |
| | | B HYPERMOTARD 1100 | 1100 | 2007 | | F | |
| | | B HYPERMOTARD 1100 EVO | 1100 | 2010 | | F | |
| | | B MONSTER 1100 / 1100 S | 1100 | 2009 | | F | |
| | | B MULTISTRADA 1100 / 1100 S / S Touring / S Sport | 1100 | 2007 | | F | |
| | | B MULTISTRADA 1200 | 1198 | 2014 | | F | |
| | | B MULTISTRADA 1200S Granturismo (ABS Std) | 1198 | 2014 | | F | |
| | | B MULTISTRADA 1200S Pikes peak (ABS Std) | 1198 | 2014 | | F | |
| | | B MULTISTRADA 1200S Touring (ABS Std) | 1198 | 2010 | | F | |
| | | HUSQVARNA | B LT 600 DUAL | 600 | 1998 | | F |
| | | | B SM 600 SUPERMOTARD | 600 | 1998 | | F |
| | | | B LT 610 | 610 | 2000 | | F |
| | | | B SM 610 / S | 610 | 2000 | 2006 | F |
| | | | B TE 610 E SUPERMOTARD | 610 | 2000 | | F |
| KEEWAY | B RKV 125 | | 125 | 2010 | 2012 | F | |
| | B Code S 125/150/200 (4T) | | 125 | 2012 | | F | |
| KSR MOTO BY GENERIC | B Code X 125/150/200 (4T) | | 125 | 2012 | | F | |
| | KTM | | B 625 SMC LC4 | 625 | 2005 | | F |
| | | | B LC4 640 DUKE II | 640 | 2000 | | F |
| | | | B 660 SMC | 660 | 2004 | | F |
| | | | B LC4 660 SUPERMOTO | 660 | 2003 | | F |
| | B 690 DUKE (ABS Std) | | 690 | 2012 | | F | |
| | B 690 SM | | 690 | 2007 | | F | |
| | B 1190 ADVENTURE (ABS Std) | | 1190 | 2013 | | F | |
| | B 1190 ADVENTURE R (ABS Std) | | 1190 | 2013 | | F | |
| | MOTO GUZZI | | B BREVA 750 IE | 750 | 2003 | | F |
| | | | B SP 750 NEVADA CLUB / CLASSIC I.E. / Aquila Nera | 750 | 2002 | | F |
| | | | B V7 Classic / Clubman Race 750 | 750 | 2008 | | F |
| B BREVA V 850 | | | 850 | 2007 | | F | |
| B GRISO 850 | | | 850 | 2007 | | F | |
| B CALIFORNIA (all models) | | | 1000 | 2001 | 2006 | F | |
| B CALIFORNIA Classic / Vintage | | | 1000 | 2007 | | F | |
| B LE MANS V 11 | | | 1064 | 2001 | | F | |
| B 1100 - California 1100 90 | | | 1100 | 2012 | | F | |
| B 1100 - California 1100 Aquila Nera | | | 1100 | 2009 | 2011 | F | |
| B 1100 - California 1100 Classic Touring | 1100 | | 2006 | 2008 | F | | |
| B 1100 - California 1100 Vintage | 1100 | | 2006 | 2012 | F | | |
| B BREVA V 1100 | 1100 | | 2004 | | F | | |
| B BREVA V 1100 (Std/ABS Models) | 1100 | 2005 | 2007 | F | | | |
| B GRISO 1100 | 1100 | 2005 | 2008 | F | | | |
| B 1200 GT | 1200 | 2010 | | F | | | |
| B BREVA 1200 | 1200 | 2008 | 2009 | F | | | |
| B BREVA 1200 SPORT | 1200 | 2008 | 2013 | F | | | |



CC FROM TO FRONT / REAR

...FDB2042

| | | | CC | FROM | TO | FRONT / REAR |
|---------|-------------|---|--|------|------|--------------|
| | MOTO MORINI | B | CORSARO Avio / Veloce | 1200 | 2010 | F |
| | | B | GRISO SE 1200 8V | 1200 | 2007 | 2013 F |
| | | B | NORGE 1200 | 1200 | 2006 | 2008 F |
| | | B | NORGE 1200 GT 8V ABS | 1200 | 2010 | F |
| | | B | STELVIO 1200 / 1200 NTX ABS | 1200 | 2008 | F |
| | | B | 9 | 998 | 2006 | F |
| | | B | 1200 SPORT | 1200 | 2008 | F |
| | | B | Corsaro Veloce / Corsaro 1200 / Corsaro Avio | 1200 | 2005 | F |
| | | B | MM3 | 1200 | 2007 | F |
| | MV AGUSTA | B | 675 - F3 | 675 | 2012 | F |
| | | B | 675 -Brutale | 675 | 2012 | F |
| | | B | 920 - Brutale | 920 | 2011 | 2012 F |
| | | B | BRUTALE 989 R | 989 | 2008 | F |
| | | B | BRUTALE 990 R | 990 | 2010 | F |
| | SCORPA | B | Raidster 660 | 660 | 2007 | F |
| | SUZUKI | B | GSX 1200 | 1200 | 1999 | 2000 F |
| | TRIUMPH | B | THRUXTON 900 (Front Brembo caliper) | 900 | 2008 | F |
| | URAL | B | RETRO 750 | 750 | 2005 | F |
| | VICTORY | B | V92C | 1500 | 1998 | F |
| | YAMAHA | B | XT 660 X MOTARD | 660 | 2004 | F |
| | | B | XJR 1200 | 1200 | 1995 | 1998 F |
| FDB2048 | KAWASAKI | B | VN 400 CLASSIC | 400 | 1999 | F |
| | | B | ER-5 500 (ER) | 500 | 2001 | F |
| | | B | ER-6 650 F / N (left) | 650 | 2005 | F |
| | | B | KLR 650 | 650 | 1995 | F |
| | | B | VERSYS 650 (left) | 650 | 2007 | 2008 F |
| | | B | Z 750 / Z 750 S (left) | 750 | 2004 | 2006 F |
| | | B | ZR 750 ZEPHYR | 750 | 1996 | F |
| | | B | ZR-7 750 (left) | 750 | 1999 | F |
| | | B | ZR-7S 750 (left) | 750 | 2001 | F |
| | | B | VN 800 CLASSIC | 800 | 1996 | F |
| | | B | VN 800 DRIFTER | 800 | 1999 | 2003 F |
| | | B | VN 900 CLASSIC / CUSTOM /LIGHT TOURER | 900 | 2006 | F |
| | | B | GPZ 1100 (left) | 1100 | 1995 | 1997 F |
| | | B | ZR 1100 ZEPHIR | 1100 | 1997 | 2000 F |
| | | B | ZR 1100 ZEPHYR (left) | 1100 | 1996 | 1997 F |
| | | B | VN 1500 CLASSIC FI | 1500 | 1999 | F |
| | | B | VN 1500 CLASSIC TOURER (left) | 1500 | 1999 | F |
| | | B | VN 1500 D1/D2 CLASSIC | 1500 | 1996 | 1998 F |
| | | B | VN 1500 DRIFTER | 1500 | 1999 | 2003 F |
| | | B | VN 1600 CLASSIC (left) | 1600 | 2003 | F |
| | | B | VN 1600 CLASSIC TOURER (left) | 1600 | 2005 | F |
| | | B | VN 1700 Classic Tourer / Classic | 1700 | 2009 | 2009 F |
| | SUZUKI | B | GSF 600 BANDIT (left) | 600 | 2000 | F |
| | | B | GSF 600 BANDIT - KATANA (left) | 600 | 1998 | F |
| | | B | BANDIT 650 S (left) | 650 | 2005 | 2007 F |
| | | B | DL V-STROM 650 (Left) NO ABS | 650 | 2007 | F |
| | | B | DL V-STROM 650A (Left) ABS/Traveller ABS | 650 | 2007 | F |
| | | B | SV 650 - S (left) | 650 | 1999 | 2002 F |
| | | B | SV 650 (left) | 650 | 2003 | F |
| | | B | SVF GLADIUS 650 (Left) NO ABS | 650 | 2009 | 2012 F |
| | | B | SVF GLADIUS 650 ABS (Left) | 650 | 2009 | 2013 F |
| | | B | GSR 750 (Left) | 750 | 2011 | F |
| | | B | GSX 750 FW/FX/FY/FK1/FK2 (left) | 750 | 1998 | 2006 F |
| | | B | GSX 750 W/X/Y/K1 (left) | 750 | 1998 | F |
| | | B | VX 800 | 800 | 1995 | F |
| | | B | V-STROM 1000 (left) (DL 1000) | 1000 | 2002 | F |
| | | B | INTRUDER C1500 (left) | 1500 | 2005 | 2009 F |
| | | B | VL 1500 K2 (left) | 1500 | 2002 | 2003 F |
| FDB2049 | KAWASAKI | B | VN 200 | 200 | 2007 | R |
| | | B | ER-6 650 F / N (right) | 650 | 2005 | F |
| | | B | VERSYS 650 (right) | 650 | 2007 | 2008 F |
| | | B | W 650 | 650 | 1999 | F |
| | | B | Z 750 / Z 750 S (right) | 750 | 2004 | 2006 F |
| | | B | ZR-7 750 (left) | 750 | 1999 | R |
| | | B | ZR-7 750 (right) | 750 | 1999 | F |
| | | B | ZR-7S 750 (left) | 750 | 2001 | R |
| | | B | ZR-7S 750 (right) | 750 | 2001 | F |
| | | B | VN 800 DRIFTER | 800 | 1999 | 2003 R |
| | | B | W800 SE | 800 | 2012 | F |
| | | B | VN 900 CLASSIC / CUSTOM /LIGHT TOURER | 900 | 2006 | R |
| | | B | GPZ 1100 (right) | 1100 | 1995 | 1997 F |
| | | B | ZR 1100 ZEPHYR (right) | 1100 | 1996 | 1997 F |
| | | B | MEAN STREAK 1500 | 1500 | 2002 | 2003 R |
| | | B | VN 1500 CLASSIC FI | 1500 | 1999 | R |
| | | B | VN 1500 CLASSIC TOURER (right) | 1500 | 1999 | F |
| | | B | VN 1500 DRIFTER | 1500 | 1999 | 2003 R |
| | | B | VN 1600 CLASSIC (left) | 1600 | 2003 | R |



CC FROM TO FRONT / REAR

| | | | CC | FROM | TO | FRONT / REAR |
|---------|-------------|---|---|------|------|--------------|
| | | B | VN 1600 CLASSIC (right) | 1600 | 2003 | F |
| | | B | VN 1600 CLASSIC TOURER (left) | 1600 | 2005 | R |
| | | B | VN 1600 CLASSIC TOURER (right) | 1600 | 2005 | F |
| | | B | VN 1600 MEAN STREAK | 1600 | 2004 | R |
| | | B | VN 1700 Classic Tourer / Classic | 1700 | 2009 | 2009 F/R |
| | | B | VN 1700 Classic Tourer / Custom | 1700 | 2010 | R |
| | | B | VN 1700 Voyager / Voyager Custom | 1700 | 2009 | R |
| | | B | VN 2000 VULCAN / CLASSIC | 2000 | 2004 | R |
| | SUZUKI | B | RV 125 K2/ K3 / K4 VAN VAN | 125 | 2002 | F |
| | | B | VAN VAN 125 (RV) | 125 | 2010 | F |
| | | B | GS 500 E - K - FK | 500 | 1996 | F |
| | | B | GSF 600 BANDIT (right) | 600 | 2000 | F |
| | | B | GSF 600 BANDIT - KATANA (right) | 600 | 1998 | F |
| | | B | BANDIT 650 S (right) | 650 | 2005 | 2007 F |
| | | B | DL V-STROM 650A (Right) ABS/Traveller ABS | 650 | 2007 | F |
| | | B | DL V-STROM ABS (Right) NO ABS | 650 | 2007 | F |
| | | B | SV 650 - S (right) | 650 | 1999 | 2002 F |
| | | B | SV 650 (right) | 650 | 2003 | F |
| | | B | SVF GLADIUS 650 (Right) NO ABS | 650 | 2009 | 2012 F |
| | | B | SVF GLADIUS 650 ABS (Right) | 650 | 2009 | 2013 F |
| | | B | XF 650 FREEWIND | 650 | 1997 | 2002 F |
| | | B | GSR 750 (Right) | 750 | 2011 | F |
| | | B | GSX 750 FW/FX/FY/FK1/FK2 (right) | 750 | 1998 | 2006 F |
| | | B | GSX 750 W/X/Y/K1 (right) | 750 | 1998 | F |
| | | B | INTRUDER C800 (VZ 800) | 800 | 2006 | F |
| | | B | INTRUDER C800B | 800 | 2014 | F |
| | | B | INTRUDER M800 (VZ800) | 800 | 2005 | F |
| | | B | VL 800 K1 INTRUDER VOLUSIA | 800 | 2001 | F |
| | | B | VZ 800 MARAUDER / K7 | 800 | 1997 | 2003 F |
| | | B | V-STROM 1000 (right) (DL 1000) | 1000 | 2010 | F |
| | | B | V-STROM 1000 (right) / ABS / DL 1000 T | 1000 | 2007 | F |
| | | B | INTRUDER C1500 (right) | 1500 | 2005 | 2009 F |
| | | B | INTRUDER C1500BT | 1500 | 2012 | R |
| | | B | M1500 INTRUDER | 1500 | 2008 | F/R |
| | | B | VL 1500 K2 (right) | 1500 | 2002 | 2003 F |
| | | B | VZ 1600 MARAUDER | 1600 | 2004 | R |
| | | B | M 1800 R-R2-RZ INTRUDER (VRZ) | 1800 | 2006 | R |
| | | B | M 1800 RB INTRUDER (VZR) | 1800 | 2014 | R |
| | | B | VLR 1800 INTRUDER C1800 R/RT | 1800 | 2008 | R |
| FDB2050 | BMW | B | R 80 800 R ROADSTER | 800 | 1993 | 1994 F |
| | | B | R 850 C | 850 | 1999 | 2000 F |
| | | B | R 850 GS | 850 | 1999 | 2000 F |
| | | B | R 850 RT | 850 | 1998 | 2001 F |
| | | B | K 1 1000 | 1000 | 1989 | 1993 F |
| | | B | K 100 1000 RS 16 VALVES | 1000 | 1990 | 1992 F |
| | | B | R 100 1000 R | 1000 | 1991 | 1995 F |
| | | B | K 1100 LT (ABS) | 1100 | 1992 | 1993 F |
| | | B | K 1100 RS (ABS and NOT) | 1100 | 1994 | 1999 F |
| | | B | K 1100 RT (ABS) | 1100 | 1994 | 1999 F |
| | | B | R 1100 GS (ABS) | 1100 | 1994 | 1999 F |
| | | B | R 1100 R ROADSTER | 1100 | 1995 | 2000 F |
| | | B | R 1100 RS (ABS) | 1100 | 1994 | 1999 F |
| | | B | R 1100 RT (ABS) | 1100 | 1995 | 2001 F |
| | | B | R 1150 GS | 1150 | 1998 | 2001 F |
| | | B | R 1150 GS | 1150 | 2001 | F |
| | | B | K 1200 LT | 1200 | 1999 | 2001 F |
| | | B | K 1200 RS | 1200 | 1997 | 2001 F |
| | | B | K 1200 ST | 1200 | 1999 | 2001 F |
| | | B | R 1200 C | 1200 | 1997 | 2000 F |
| FDB2054 | PGO ATV | A | 500 Bug Parking brake | 500 | 2008 | 2009 F |
| | POLARIS ATV | A | 250-300 2x4/4x4 | | 1990 | 1995 R |
| | | A | BIG BOSS (All standard models) | | 1989 | 1999 R |
| | | A | L 350-400 2x4/4x4 | | 1990 | 1995 R |
| | | A | SCRAMBLER (All Models) | | 1995 | 1997 R |
| | | A | SPORTSMAN (All Models) | | 1993 | 1997 R |
| | | A | TRAIL BOSS (All Models) | | 1988 | 1999 R |
| | | A | TRAIL BLAZER 250 | 250 | 1990 | 1998 R |
| | | A | XPLORER 300 | 300 | 1996 | 2000 R |
| | | A | Xpress L (All models) | 300 | 1996 | 2000 R |
| | | A | Sportsman 350 4x4 | 350 | 1993 | R |
| | | A | TRIAL BOSS 350 (All Models) | 350 | 1991 | 1993 R |
| | | A | Sport 400 | 400 | 1994 | 1998 R |
| | | A | XPLORER 400 | 400 | 1995 | 1998 R |
| | | A | MAGNUM 425 (All Models) | 425 | 1995 | 1998 R |
| | | A | XPLORER 500 | 500 | 1997 | 2000 R |
| | QUADZILLA | A | CUV 500 Side X Side Parking Brake | 500 | 2010 | 2011 R |
| | | A | QZ 500 E/ES 4x4 Parking brake | 500 | 2009 | 2011 F |
| FDB2055 | POLARIS ATV | A | 250-300 2x4/4x4 | | 1990 | 1995 F |

B = Bike
A = ATV
S = Snowmobile

B = Bike
A = ATV
S = Snowmobile



CC FROM TO FRONT / REAR

...FDB2055

| CC | FROM | TO | FRONT | REAR | |
|----|---|------|-------|------|-----|
| A | ATP 330 | 2004 | 2005 | F/R | |
| A | ATP 500 H0 | 2004 | 2005 | F/R | |
| A | BIG BOSS (All middle axle brake models) | 1989 | 1999 | F | |
| A | BIG BOSS (All standard models) | 1989 | 1999 | F | |
| A | HAWKEYE 300 4x4 | 2007 | | F/R | |
| A | L 350-400 2x4/4x4 | 1990 | 1995 | F | |
| A | MAGNUM (All models) | 1999 | 2001 | F | |
| A | MAGNUM (All models) | 2002 | 2006 | F | |
| A | Outlaw 450&525 (All models) | 2008 | 2010 | R | |
| A | SCRAMBLER (All Models) | 1995 | 1997 | F | |
| A | SCRAMBLER (All Models) | 1998 | 2004 | F | |
| A | SPORTSMAN (All Models) | 1993 | 1997 | F | |
| A | TRAIL BOSS (All Models) | 1988 | 1999 | F | |
| A | TRAIL BOSS (All Models) | 2000 | 2004 | F | |
| A | TRAIL BLAZER 250 | 250 | 1990 | 1998 | F |
| A | TRAIL BLAZER 250 | 250 | 1999 | 2004 | F |
| A | TRAIL BLAZER 250 | 250 | 2005 | 2006 | F |
| A | XPLORER 250 | 250 | 2000 | | F |
| A | HAWKEYE 300 2x4 | 300 | 2006 | | F/R |
| A | Sportsman 300 4x4 | 300 | 2008 | 2010 | F/R |
| A | XPLORER 300 | 300 | 1996 | 2000 | F |
| A | Xpress L (All models) | 300 | 1996 | 2000 | F |
| A | XPEDITION 325 | 325 | 2000 | 2001 | F |
| A | XPEDITION 325 | 325 | 2002 | | F |
| A | Trail Blazer 330 | 330 | 2008 | 2010 | F |
| A | TRAIL BOSS 330 | 330 | 2005 | 2010 | F |
| A | SPORTSMAN 335 | 335 | 1999 | 2000 | F |
| A | Sportsman 350 4x4 | 350 | 1993 | | F |
| A | TRAIL BOSS 350 (All Models) | 350 | 1991 | 1993 | F |
| A | Sport 400 | 400 | 1994 | 1998 | F |
| A | Sport 400 | 400 | 1999 | 2000 | F |
| A | SPORTSMAN 400 | 400 | 2001 | 2002 | F |
| A | SPORTSMAN 400 | 400 | 2003 | 2005 | F |
| A | Sportsman 400 HO 4x4 | 400 | 2008 | 2010 | F/R |
| A | XPLORER 400 | 400 | 1995 | 1998 | F |
| A | XPLORER 400 | 400 | 1999 | 2002 | F |
| A | MAGNUM 425 (All Models) | 425 | 1995 | 1998 | F |
| A | XPEDITION 425 | 425 | 2000 | | F |
| A | Sportsman 450 | 450 | 2006 | | F |
| A | DIESEL 455 | 455 | 1999 | 2001 | F |
| A | Outlaw 500 | 500 | 2006 | 2007 | F/R |
| A | PREDATOR 500 | 500 | 2003 | 2007 | F/R |
| A | SCRAMBLER 500 (All models) | 500 | 2005 | 2010 | F |
| A | SPORTSMAN 500 | 500 | 1998 | 2002 | F |
| A | SPORTSMAN 500 6x6 | 500 | 2000 | 2008 | F |
| A | SPORTSMAN 500 HO/EFI/X2/EFI Quad H.O. | 500 | 2003 | 2010 | F |
| A | Sportsman 500 Touring H.O. | 500 | 2008 | 2010 | F/R |
| A | Sportsman 500 X2 EFI | 500 | 2007 | 2009 | F/R |
| A | XPLORER 500 | 500 | 1997 | 2000 | F |
| A | SPORTSMAN 600 | 600 | 2003 | 2006 | F |
| A | SPORTSMAN 700 | 700 | 2003 | 2007 | F |
| A | Sportsman 700 X2 | 700 | 2008 | | F/R |
| A | Ranger 800 RZR - side by side | 800 | 2008 | 2012 | R |
| A | Ranger 800 RZR S EFI - side by side | 800 | 2009 | 2012 | R |
| A | Sportsman 800 EFI 6x6 Big Boss | 800 | 2009 | 2010 | F/R |
| A | SPORTSMAN 800 EFI/HO | 800 | 2005 | 2010 | F |
| A | Sportsman 800 Touring/EFI | 800 | 2008 | 2009 | F/R |
| A | Sportsman 800 X2 EFI | 800 | 2007 | 2009 | F/R |

FDB2056

| CC | FROM | TO | FRONT | REAR | | |
|----|---------|--------------------------------------|-------|------|------|---|
| | PEUGEOT | Tweet 50 RS (4T/Rear Disc Model) | 50 | 2010 | 2012 | R |
| | | City Star 125 i | 125 | 2011 | 2012 | R |
| | | Tweet 125 RS (4T/Rear Disc Model) | 125 | 2010 | 2012 | R |
| | | Tweet 150 RS (4T/Rear Disc Model) | 150 | 2010 | 2012 | R |
| | | City Star 200 i | 200 | 2012 | | R |
| | PIAGGIO | ZIP 50 RST | 50 | 1996 | 1997 | F |
| | | Symphony 50 SR (4T/Rear disc model) | 50 | 2010 | 2012 | R |
| | | Symphony S 50 (4T/Rear disc model) | 50 | 2010 | 2012 | R |
| | | Symphony 125 SR (4T/Rear disc model) | 125 | 2010 | 2012 | R |
| | | Symphony S 125 (4T/Rear disc model) | 125 | 2010 | 2012 | R |
| | | Symphony 151 SR (4T/Rear disc model) | 151 | 2010 | 2012 | R |
| | | Symphony S 151 (4T/Rear disc model) | 151 | 2010 | 2012 | R |

FDB2057

| CC | FROM | TO | FRONT | REAR | | |
|----|--------|---------------------|-------|------|------|---|
| | CPI | GTR 50 | 50 | 2003 | | R |
| | | GTS 50 / 125 / 200 | 125 | 2002 | 2003 | R |
| | GILERA | DNA 50 | 50 | 2001 | | R |
| | | RUNNER 50 SP / SKP | 50 | 1999 | 2005 | R |
| | | RUNNER 50 SP / SKP | 50 | 2006 | | R |
| | | STALKER 50 | 50 | 1997 | | R |
| | | RUNNER 125 FX - SP | 125 | 2000 | | R |
| | | RUNNER 180 FXR - SP | 180 | 1999 | | R |



CC FROM TO FRONT / REAR

| CC | FROM | TO | FRONT | REAR | | |
|----|-----------------|---|-------|------|------|---|
| | PGO | FUOCO 500 | 500 | 2009 | | F |
| | PIAGGIO | Tigra125 (4T/4V) | 125 | 2012 | | R |
| | | Liberty Elettrico | | 2011 | 2012 | F |
| | | FLY 50 4T | 50 | 2005 | 2008 | F |
| | | LIBERTY 50 | 50 | 1997 | 2003 | F |
| | | Liberty S 50 (2T) | 50 | 2007 | 2008 | F |
| | | NGR 50 POWER DD / Silver Bullet | 50 | 2005 | | R |
| | | NRG 50 MC2 DD | 50 | 1998 | | R |
| | | NRG 50 MC3 / EXTREME DD | 50 | 1999 | 2001 | R |
| | | NRG 50 MC3 DD | 50 | 2001 | 2005 | R |
| | | NRG 50 Power Pure Jet | 50 | 2004 | 2008 | R |
| | | VESPA 50 ET2 | 50 | 1997 | 1998 | F |
| | | VESPA 50 ET4 | 50 | 1999 | | F |
| | | Vespa LXV 50 | 50 | 2007 | 2009 | F |
| | | VESPA S 50 (2T) | 50 | 2007 | | F |
| | | VESPA S 50 (4T/4V) | 50 | 2008 | | F |
| | | VESPA S 50 Sport (2T) | 50 | 2011 | | F |
| | | VESPA S 50 Sport (4T/4V) | 50 | 2011 | | F |
| | | ZIP 50 Grimeca/Heng Tong A/C 4T | 50 | 2000 | 2008 | F |
| | | ZIP 50 SP | 50 | 2001 | 2006 | F |
| | | ZIP 50 RST | 50 | 1998 | 1999 | F |
| | | ZIP 50 SP | 50 | 1996 | 2000 | F |
| | | Zip 100 | 100 | 2007 | | F |
| | | 125 ie MP3 Yourban | 125 | 2011 | 2012 | F |
| | | Liberty 125 (4T / 10 Spoke Cast Wheels) | 125 | 2009 | 2012 | F |
| | | LIBERTY 125 4 T | 125 | 1998 | 2002 | F |
| | | Liberty S 125 | 125 | 2007 | 2008 | F |
| | | MP3 125 ie | 125 | 2006 | | F |
| | | MP3 Hybrid 125 | 125 | 2010 | | F |
| | | SFERA 125 (4 stroke) | 125 | 1996 | | F |
| | | VESPA 125 ET4 | 125 | 1996 | | F |
| | | VESPA S 125 | 125 | 2008 | | F |
| | | Vespa S 125 (4T) | 125 | 2007 | 2012 | F |
| | | Vespa S 125 Sport (4T) | 125 | 2011 | 2012 | F |
| | | ZIP 125 | 125 | 2000 | | F |
| | | LIBERTY 150 | 150 | 2008 | | F |
| | | Liberty 150 (4T / 10 Spoke Cast Wheels) | 150 | 2009 | 2012 | F |
| | | LIBERTY 150 LE | 150 | 2000 | 2002 | F |
| | | VESPA 150 ET4 | 150 | 1996 | | F |
| | | VESPA LX 150 (4T/3V) 05-13 | 150 | 2005 | | F |
| | | VESPA LX 150 (Serie Speciali/4T) | 150 | 2012 | | F |
| | | VESPA S 150 | 150 | 2010 | | F |
| | | VESPA S 150 (4T) | 150 | 2007 | 2013 | F |
| | | VESPA S 150 Sport (4T) | 150 | 2011 | 2012 | F |
| | | SUPER HEXAGON 180 GTX | 180 | 2000 | | R |
| | | Liberty S 200 | 200 | 2007 | 2008 | F |
| | | MP3 250 | 250 | 2007 | | F |
| | | 300 ie MP3 Yourban | 300 | 2011 | 2012 | F |
| | | 300 ie MP3 Yourban LT | 300 | 2011 | 2012 | F |
| | | MP3 Hybrid 300 ie | 300 | 2011 | 2012 | F |
| | | MP3 Hybrid LT 300 ie | 300 | 2011 | 2012 | F |
| | | MP3 LT 300 ie | 300 | 2010 | | F |
| | | MP3 Touring 300 ie | 300 | 2011 | 2012 | F |
| | | MP3 Touring LT 300 ie | 300 | 2011 | 2012 | F |
| | | MP3 400 ie | 400 | 2007 | 2008 | F |
| | | MP3 LT 400 ie | 400 | 2009 | | F |
| | | MP3 500 | 500 | 2010 | | F |
| | | MP3 Sport 500 | 500 | 2010 | | F |
| | | RF 900 RR | 900 | 1994 | 1995 | R |
| | FDB2058 SUZUKI | Sport City Cube 125 | 125 | 2008 | 2012 | F |
| | FDB2060 APRILIA | Sport City Cube 200 | 200 | 2008 | 2009 | F |
| | | SCARABEO 500 | 500 | 2003 | | F |
| | | NA 850 MANA ABS / GT | 850 | 2008 | | R |
| | | SJ 50 BALI | 50 | 1993 | 1999 | F |
| | | SJ 100 BALI - EX | 100 | 1998 | 1999 | F |
| | | CA 125 REBEL | 125 | 1998 | | F |
| | FDB2062 CPI | OLIVER / TNT / STUNT 50 | 50 | 2006 | | F |
| | | NITRO 50 | 50 | 1997 | | R |
| | MBK | NS 50 AEROX R | 50 | 2013 | | R |
| | YAMAHA | NS 50 AEROX R NAKED | 50 | 2013 | | R |
| | | YQ 50 AEROX / AEROX R | 50 | 1997 | 2012 | R |
| | FDB2073 HONDA | 125 PANTHEON | 125 | 1998 | 1999 | F |
| | | 150 PANTHEON | 150 | 1998 | 1999 | F |
| | | FE 250 FORESIGHT | 250 | 1997 | 1998 | F |
| | | JAZZ 250 | 250 | 2001 | | F |
| | | DEAUVILLE TRAVEL | 680 | 2007 | | R |
| | | CB 1100 HORNET | 1100 | 1999 | 2000 | R |
| | | CBR 1100 XX Superblackbird | 1100 | 1996 | 1997 | F |

3034

B = Bike
A = ATV
S = Snowmobile

FERODO
MOTORCYCLE PADS
Updated on 30th Jan 2014

B = Bike
A = ATV
S = Snowmobile



CC FROM TO FRONT / REAR

| Model | Year | CC | FROM | TO | FRONT / REAR |
|----------------|------|---|------|------|--------------|
| ADIVA | B | X 11 1100 | 1100 | 2000 | 2002 F |
| ADIVA | B | AD 400 | 400 | 2009 | 2011 F/R |
| APRILIA | B | RS 50 / TUONO 50 | 50 | 2006 | 2008 F |
| APRILIA | B | ETV 1000 CAPONORD / RALLY RAID | 1000 | 2001 | R |
| APRILIA | B | RSV 1000 MILLE | 1000 | 1997 | 2000 R |
| APRILIA | B | RSV 1000 MILLE | 1000 | 2001 | R |
| APRILIA | B | RSV 1000 MILLE R | 1000 | 2001 | 2003 R |
| APRILIA | B | RSV 1000 MILLE R / FACTORY / TUONO RACING | 1000 | 2004 | R |
| APRILIA | B | RSV 1000 MILLE R / SP | 1000 | 2000 | R |
| APRILIA | B | RSV 1000 TUONO | 1000 | 2004 | R |
| APRILIA | B | RSV4 Factory /APRC SE /R | 1000 | 2008 | R |
| APRILIA | B | RSV4 Factory /APRC SE /R (Racing version pad) | 1000 | 2008 | R |
| APRILIA | B | RSV4 Factory APRC ABS (Racing version pad) | 1000 | 2013 | R |
| APRILIA | B | RSV4 Factory APRC ABS (Road version pad) | 1000 | 2013 | R |
| APRILIA | B | RSV4 R APRC ABS (Racing version pad) | 1000 | 2013 | R |
| APRILIA | B | RSV4 R APRC ABS (Road version pad) | 1000 | 2013 | R |
| APRILIA | B | SL 1000 FALCO | 1000 | 2000 | R |
| APRILIA | B | TUONO V4 R | 1000 | 2011 | R |
| APRILIA | B | TUONO V4 R APRC | 1000 | 2013 | R |
| BENELLI | B | 2 UE 750 | 750 | 2009 | 2010 R |
| BENELLI | B | Cafe Racer 899 | 899 | 2010 | 2012 R |
| BENELLI | B | Century Racer 899 | 899 | 2011 | 2012 R |
| BENELLI | B | TORNADO NAKED TRE 899 / S | 899 | 2007 | 2011 R |
| BENELLI | B | TRE 899 K | 899 | 2007 | 2012 R |
| BENELLI | B | 900 TORNADO | 900 | 2000 | R |
| BENELLI | B | TORNADO TRE 900 / RS / Naked Sport Evo | 900 | 2002 | R |
| BENELLI | B | TNT 1130 Cafe Racer | 1130 | | 2005 R |
| BENELLI | B | TNT 1130 Cafe Racer | 1130 | 2006 | 2012 R |
| BENELLI | B | TNT 1130 Titanium | 1130 | 2005 | R |
| BENELLI | B | TNT 1130 Titanium | 1130 | 2006 | R |
| BENELLI | B | TNT R 160 | 1130 | 2010 | R |
| BENELLI | B | Tornado Naked Tre TNT 1130 | 1130 | 2006 | 2007 R |
| BENELLI | B | Tornado TRE 1130 (Radial caliper) | 1130 | 2006 | 2010 R |
| BENELLI | B | TRE-K 1130 | 1130 | 2006 | 2012 R |
| BENELLI | B | TRE-K 1130 Amazonas | 1130 | 2007 | 2012 R |
| BIMOTA | B | DB6 Delirio (992cc) Ducati engine | 992 | 2007 | R |
| BIMOTA | B | DB5 (All models) | 1000 | 2006 | 2007 R |
| BIMOTA | B | DB5R | 1078 | 2006 | 2007 R |
| BIMOTA | B | DB6 Elirio | 1078 | 2006 | R |
| BIMOTA | B | DB7 (1098cc) | 1098 | 2008 | R |
| BIMOTA | B | DB7 Oronero Millenovantotto | 1098 | 2009 | R |
| BIMOTA | B | DB7 Oronero Millenovantotto | 1098 | 2009 | R |
| BIMOTA | B | DB6 (1100cc) | 1100 | 2008 | R |
| BIMOTA | B | DB6R Delirio (1100cc) | 1100 | 2008 | R |
| BIMOTA | B | TEST 3D 1100 | 1100 | 2009 | R |
| BIMOTA | B | DB8 (1198cc) | 1198 | 2010 | R |
| BOMBARDIER ATV | A | TRAXTER 500 (4x4/XL/Autoshift) | 500 | 1999 | 2001 F/R |
| BOMBARDIER ATV | A | Traxter 650 (XT-4x4/Footshift) | 650 | 2000 | F/R |
| CAGIVA | B | RAPTOR 650 / 650 i.e. | 650 | 2001 | R |
| CAGIVA | B | V RAPTOR 650 | 650 | 2001 | R |
| CAGIVA | B | RAPTOR 1000 | 1000 | 2000 | R |
| CAGIVA | B | RAPTOR V 1000 | 1000 | 2001 | R |
| CAGIVA | B | RAPTOR X3 1000 | 1000 | 2003 | R |
| CAGIVA | B | RAPTOR XTRA 1000 | 1000 | 2003 | R |
| CFMOTO | B | CF 125 T-21A E-CharM | 125 | 2010 | 2012 R |
| CFMOTO | B | CF 125 T-22 Glory | 125 | 2010 | 2011 R |
| CFMOTO | B | CF 150 T-5i E-CharM | 150 | 2010 | 2012 R |
| CFMOTO | B | CF 150 T-6A Glory | 150 | 2010 | 2011 R |
| CFMOTO | B | CF 250 T - 6A (Scooter) | 250 | 2012 | R |
| CPI | B | GTR 50 | 50 | 2003 | F |
| CPI | B | X-LARGE 125 / 150 / 200 | 125 | 2002 | F/R |
| DERBI | B | GPR 50 NAKED | 50 | 2004 | 2006 F |
| DERBI | B | GPR 50 Race Replica | 50 | 2008 | 2009 F |
| DERBI | B | SENDA DRD Evo 50 | 50 | 2008 | F |
| DERBI | B | SENDA DRD PRO 50 | 50 | 2005 | 2007 F |
| DERBI | B | SENDA DRD Pro 50 SM | 50 | 2008 | F |
| DERBI | B | GPR 80 CUP | 80 | 2004 | 2007 F |
| DERBI | B | GPR 80 CUP Criterium Derbi Malossi | 80 | 2008 | F |
| DERBI | B | MULHACEN CAFE' 125 | 125 | 2008 | F |
| DERBI | B | SENDA DRD 125 | 125 | 2010 | F |
| DERBI | B | MULHACEN CAFE' 659 Angel Nieto Lim. Ed. | 659 | 2008 | R |
| DUCATI | B | M 600 MONSTER | 600 | 2001 | 2002 R |
| DUCATI | B | M 620 MONSTER | 620 | 2002 | 2003 R |
| DUCATI | B | MULTISTRADA 620 DARK (single disc) | 620 | 2005 | 2006 R |
| DUCATI | B | SPORT 620 | 620 | 2003 | R |
| DUCATI | B | MONSTER 695 | 695 | 2006 | 2008 R |
| DUCATI | B | MONSTER 696 | 696 | 2008 | 2013 R |
| DUCATI | B | 748 / 748R / 748S | 748 | 2001 | R |



CC FROM TO FRONT / REAR

| Model | Year | CC | FROM | TO | FRONT / REAR |
|-------|------|---|------|------|--------------|
| B | B | 748 SPS | 748 | 1998 | R |
| B | B | 749 / 749R / 749S / 749 DARK | 749 | 2003 | R |
| B | B | 750 SPORT | 750 | 2001 | 2002 R |
| B | B | 750 SUPERSPORT | 750 | 1998 | 2002 R |
| B | B | M 750 MONSTER | 750 | 2001 | 2002 R |
| B | B | HYPERMOTARD 796 | 796 | 2010 | R |
| B | B | MONSTER 796 (ABS Std) | 796 | 2011 | 2013 R |
| B | B | 800 SUPERSPORT | 800 | 2003 | R |
| B | B | HYPERMOTARD SP 821 (ABS Std) | 821 | 2013 | R |
| B | B | HYPERSTRADA 821 (ABS Std) | 821 | 2013 | R |
| B | B | 848 | 848 | 2008 | R |
| B | B | Superbike 848 EVO (Racing version pad) | 848 | 2011 | R |
| B | B | Superbike 848 EVO (Road version pad) | 848 | 2011 | R |
| B | B | Streetfighter 848 | 849 | 2014 | R |
| B | B | 899 Panigale (ABS Std) | 898 | 2014 | R |
| B | B | FE 900 SUPERSPORT | 900 | 1998 | R |
| B | B | M 900 MONSTER | 900 | 2001 | R |
| B | B | 916 ST2 | 916 | 2001 | 2002 R |
| B | B | 916 STRADA | 916 | 1998 | R |
| B | B | 916 SUPERSPORT 4 | 916 | 1998 | R |
| B | B | 944 ST2 | 944 | 1997 | 2002 R |
| B | B | 944 ST4 | 944 | 1999 | R |
| B | B | 944 SUPERSPORT 2 | 944 | 1998 | 2002 R |
| B | B | ST3 992 | 992 | 2004 | R |
| B | B | 996 R TESTA STRETTA | 996 | 2001 | R |
| B | B | 996 SPS / S | 996 | 1998 | R |
| B | B | ST4 / ST4 ABS 996 | 996 | 2001 | R |
| B | B | 998 BIPOSTO | 998 | 2002 | R |
| B | B | 999 R / S | 999 | 2003 | R |
| B | B | Desmosedici RR (Lim. Ed.) (Road version pad) | 1000 | 2008 | R |
| B | B | Desmosedici RR (Lim. Ed.) (Racing version pad) | 1000 | 2008 | R |
| B | B | GT 1000 | 1000 | 2006 | 2007 R |
| B | B | HYPERMOTARD 1000 | 1000 | 2006 | R |
| B | B | MONSTER S2R 1000 | 1000 | 2008 | R |
| B | B | MONSTER S4R /S4RS 1000 | 1000 | 2008 | R |
| B | B | MULTISTRADA 1000 / 1000 DS / 1000S DS | 1000 | 2003 | 2006 R |
| B | B | PAUL SMART 1000 Limited Edition | 1000 | 2007 | R |
| B | B | SPORT 1000 | 1000 | 2006 | R |
| B | B | SUPERSPORT 1000 DS | 1000 | 2003 | R |
| B | B | 1098 /1098 S / 1098 R Bayliss Lim. Ed. (Racing version pad) | 1098 | 2007 | R |
| B | B | 1098 /1098 S / 1098 R Bayliss Lim. Ed. (Road version pad) | 1098 | 2007 | R |
| B | B | STREETFIGHTER S (Racing version pad) | 1099 | 2011 | R |
| B | B | STREETFIGHTER S (Road version pad) | 1099 | 2011 | R |
| B | B | HYPERMOTARD 1100 | 1100 | 2007 | R |
| B | B | HYPERMOTARD 1100 EVO | 1100 | 2010 | R |
| B | B | HYPERMOTARD 1100 SP / EVO SP / Corse ed. (Racing version pad) | 1100 | 2010 | R |
| B | B | HYPERMOTARD 1100 SP / EVO SP / Corse ed. (Road version pad) | 1100 | 2010 | R |
| B | B | HYPERMOTARD 1100S (Racing version pad) | 1100 | 2007 | R |
| B | B | HYPERMOTARD 1100S (Road version pad) | 1100 | 2007 | R |
| B | B | MONSTER 1100 / 1100 S | 1100 | 2009 | R |
| B | B | MULTISTRADA 1100 / 1100 S / S Touring / S Sport | 1100 | 2007 | R |
| B | B | Streetfighter / S (Racing version pad) | 1100 | 2010 | R |
| B | B | Streetfighter / S (Road version pad) | 1100 | 2010 | R |
| B | B | 1199 Panigale (ABS Std) (Racing version pad) | 1198 | 2014 | R |
| B | B | 1199 Panigale (ABS Std) (Road version pad) | 1198 | 2014 | R |
| B | B | 1199 Panigale R (ABS Std) (Racing version pad) | 1198 | 2014 | R |
| B | B | 1199 Panigale R (ABS Std) (Road version pad) | 1198 | 2014 | R |
| B | B | 1199 Panigale S (ABS Std) (Racing version pad) | 1198 | 2012 | R |
| B | B | 1199 Panigale S (ABS Std) (Road version pad) | 1198 | 2012 | R |
| B | B | MULTISTRADA 1200 | 1198 | 2014 | R |
| B | B | MULTISTRADA 1200S Granturismo (ABS Std) | 1198 | 2014 | R |
| B | B | MULTISTRADA 1200S Pikes peak (ABS Std) | 1198 | 2014 | R |
| B | B | MULTISTRADA 1200S Touring (ABS Std) | 1198 | 2010 | R |
| B | B | SUPERBIKE 1198 / S / S Corse / R / SP (Racing version pad) | 1198 | 2009 | R |
| B | B | SUPERBIKE 1198 / S / S Corse / R / SP (Road version pad) | 1198 | 2009 | R |
| B | B | 1199 Panigale Superleggera (Racing version pad) | 1199 | 2014 | R |
| B | B | 1199 Panigale Superleggera (Road version pad) | 1199 | 2014 | R |
| B | B | MONSTER 1200 | 1200 | 2014 | R |
| B | B | MONSTER 1200S (Racing version pad) | 1200 | 2014 | R |
| B | B | MONSTER 1200S (Road version pad) | 1200 | 2014 | R |
| B | B | NEXUS 500 | 500 | 2004 | R |
| B | B | Silverblade 125/150/250 | 125 | 2007 | R |
| B | B | 1190 RC8 (Racing version pad) | 1190 | 2008 | 2011 R |
| B | B | 1190 RC8 (Road version pad) | 1190 | 2008 | 2011 R |
| B | B | 1190 RC8 R (ABS Std) (Racing version pad) | 1190 | 2009 | R |
| B | B | 1190 RC8 R (ABS Std) (Road version pad) | 1190 | 2009 | R |
| B | B | SUPERDUKE R 1290 (ABS Std) (Racing version pad) | 1301 | 2014 | R |
| B | B | SUPERDUKE R 1290 (ABS Std) (Road version pad) | 1301 | 2014 | R |

B = Bike
A = ATV
S = Snowmobile

FERODO
MOTORCYCLE PADS
Updated on 30th Jan 2014

B = Bike
A = ATV
S = Snowmobile

3035



CC FROM TO FRONT / REAR

| Code | Brand | Model | CC | FROM | TO | FRONT / REAR | |
|--|--|---|----------------|--------------------------|------|--------------|------|
| ...FDB2074 | LAVERDA | B SUPERDUKE R 1290 PROTO (Racing version pad) | 1301 | 2013 | | R | |
| | | B TTS 800 | 800 | 1999 | | R | |
| | | B SFC 1000 | 1000 | 2003 | | R | |
| | MALAGUTI | B DRAKON 50 NKD | 50 | 2005 | | F | |
| | | B SPIDER MAX RS 500/ GT | 500 | 2004 | | R | |
| | MBK | B SKYLINER 125 / S.E. | 125 | 2001 | | R | |
| | | B THUNDER 125 | 125 | 2001 | | R | |
| | | B THUNDER 150 | 150 | 2001 | 2002 | R | |
| | MOTO GUZZI | B SKYLINER 180 | 180 | 2004 | | R | |
| | | B BREVA 750 IE | 750 | 2003 | | R | |
| B SP 750 NEVADA CLUB / CLASSIC I.E./ Aquila Nera | | 750 | 2002 | | R | | |
| B V7 Classic / Clubman Race 750 | | 750 | 2008 | | R | | |
| B BREVA V 1100 | | 1100 | 2004 | | R | | |
| B 1200 GT | | 1200 | 2010 | | R | | |
| B CORSARO Avio / Veloce | | 1200 | 2010 | | R | | |
| MOTO MORINI | B MGS - 01 Corsa | 1225 | 2007 | | R | | |
| | B 9 | 998 | 2006 | | R | | |
| | B 1200 SPORT | 1200 | 2008 | | R | | |
| | B Corsaro Veloce / Corsaro 1200 / Corsaro Avio | 1200 | 2005 | | R | | |
| MV AGUSTA | B MM3 | 1200 | 2007 | | R | | |
| | B 675 - F3 | 675 | 2012 | | R | | |
| | B 675 - F3 Serie Oro | 675 | 2012 | | R | | |
| PEUGEOT | B 675 - Brutale | 675 | 2012 | | R | | |
| | B Speedfight 3 (50cc L/C - 2T) | 50 | 2009 | 2012 | R | | |
| | B Speedfight 3 - RS (50cc - A/C - 2T) | 50 | 2010 | 2012 | R | | |
| | B Speedfight 3 - RS (50cc L/C - 2T) | 50 | 2009 | 2012 | R | | |
| PIAGGIO | B X9 125 | 125 | 2001 | 2002 | F/R | | |
| | B X9 125 Evolution (right) | 125 | 2004 | | R | | |
| | B X9 180 AMALFI | 180 | 2001 | 2003 | F/R | | |
| | B X8 200 | 200 | 2004 | | R | | |
| | B X9 200 | 200 | 2002 | 2003 | F/R | | |
| | B X9 250 AMALFI | 250 | 2000 | 2003 | F/R | | |
| | B X9 250 Evolution (right) | 250 | 2004 | 2005 | R | | |
| | B BEVERLY Tourer 400i | 400 | 2008 | | F/R | | |
| | B BEVERLY CRUISER 500 ie | 500 | 2008 | | F/R | | |
| | B X9 500 | 500 | 2001 | 2002 | F/R | | |
| | B X9 500 | 500 | 2003 | | R | | |
| | B X9 500 ie | 500 | 2007 | | R | | |
| | RIEJU | B MRT 50 PRO / SUPERMOTARD / Competizione | 50 | 2008 | | F | |
| B TANGO 50 / TANGOO! 50 | | 50 | 2007 | | F | | |
| B MARATHON 125 PRO / SUPERMOTARD | | 125 | 2008 | | F | | |
| B RS3 125 | | 125 | 2009 | | F | | |
| SINNIS | B SMX 125 / Street | 125 | 2007 | | F | | |
| | B TANGO 125 / PRO | 125 | 2006 | 2010 | F | | |
| | B TANGO 250 | 250 | 2008 | 2011 | F | | |
| | B 125 T-8G Ecocity 125 | 125 | 2007 | 2009 | R | | |
| YAMAHA | B Grampus 250 | 250 | 2010 | | R | | |
| | B MAXTER 125 | 125 | 2001 | 2003 | R | | |
| | B X-CITY 125 | 125 | 2008 | | R | | |
| | B X-MAX 125 (Brembo Front Caliper) NO ABS | 125 | 2006 | 2009 | R | | |
| | B X-MAX 125 (Nissin Front Caliper) NO ABS | 125 | 2010 | | R | | |
| | B XQ 125 N MAXSTER | 125 | 2001 | 2003 | R | | |
| | B YP 125 MAJESTY R | 125 | 2001 | | R | | |
| | B MAXTER 150 | 150 | 2001 | 2003 | R | | |
| | B YP 150 MAJESTY | 150 | 2001 | 2003 | R | | |
| | FDB2075 | HONDA | B 125 PANTHEON | 125 | 2000 | | F |
| B FES 125 PANTHEON | | | 125 | 2007 | | F | |
| B 150 PANTHEON | | | 150 | 2000 | 2002 | F | |
| B 150 PANTHEON | | | 150 | 2003 | | F | |
| B FE 250 FORESIGHT | | | 250 | 1999 | | F | |
| B FORZA 250 | | | 250 | 2000 | 2004 | F | |
| B SILVER WING 600 | | | 600 | 2001 | | F | |
| B XL 1000 V VARADERO | | | 1000 | 1999 | 2003 | R | |
| B XL 1000 VARADERO A4 (ABS) | | | 1000 | 2004 | | R | |
| B CBR 1100 XX Superblackbird | | | 1100 | 1996 | 1997 | R | |
| B ST 1100 PAN EUROPEAN ABS/TCS (Dual brake) | | 1100 | 1996 | 2000 | R | | |
| B X 11 1100 | | 1100 | 2000 | 2002 | R | | |
| PEUGEOT | | B SV 250 | 250 | 2001 | | F | |
| | | FDB2079 | HONDA | B CB 400 SUPER FOUR (SF) | 400 | 1999 | 2003 |
| B CBR 600 F | | | | 600 | 2007 | | F |
| B CBR 600 F1 / F2 / FS1 / FS2 Sport | 600 | | | 2001 | 2002 | F | |
| B CBR 600 F4 / F4i Sport | 600 | | | 1999 | 2004 | F | |
| B CBR 600 FX / FY | 600 | | | 1999 | 2000 | F | |
| B CBR 600 RR | 600 | | | 2003 | 2004 | F | |
| B CBR 900 RR-FIREBLADE | 900 | | | 1998 | 1999 | F | |
| B CBR 900 RR-FIREBLADE | 900 | | | 2000 | 2003 | F | |
| B CBR 929 RR-FIREBLADE | 929 | | | 2000 | 2001 | F | |
| B VTR 1000 SP-1 (SP45) | 1000 | | | 2000 | 2001 | F | |



CC FROM TO FRONT / REAR

| Code | Brand | Model | CC | FROM | TO | FRONT / REAR | | |
|---|--------------------------------|-----------------------------------|-----------------------------|--------------------------|------|--------------|------|---|
| FDB2080 | KAWASAKI | B VTR 1000 SP-2 (R51) | 1000 | 2002 | | F | | |
| | | B CB 1300 | 1300 | 2001 | | F | | |
| | | B ZX 6R 636 NINJA | 636 | 2013 | | F | | |
| | KAWASAKI ATV | B KX 80 R7-T7-W1/2-Y1/2 | 80 | 1997 | 2000 | F | | |
| | | B KX 85 / 85-2 A1 / B1 | 85 | 2001 | | F | | |
| | | B KX 100 B7 / C1 / C2 / C3 | 100 | 1997 | 2000 | F | | |
| | | B KL 250 SUPER SHERPA | 250 | 2000 | | F | | |
| | | B KLX 250 H1 SUPER SHERPA | 250 | 1998 | 2005 | F | | |
| | | B KVF 650 BRUTE FORCE (right) | 650 | 2005 | 2007 | F | | |
| | | B KVF 650 PRAIRIE (right) | 650 | 2002 | 2003 | F | | |
| SUZUKI | B KFX 700 (right) | 700 | 2004 | 2009 | F | | | |
| | B RM 85 L | 85 | 2005 | | F | | | |
| | FDB2081 | APRILIA | B LEONARDO 125 | 125 | 1997 | 1998 | F | |
| B LEONARDO 150 | | | 150 | 1997 | 1998 | F | | |
| BENELLI | | B 125 JARNO | 125 | 1989 | | R | | |
| | | B EIKON 125 | 125 | 1999 | | F | | |
| BETA | | B EIKON 150 | 150 | 1999 | | F | | |
| | | MALAGUTI | B MEX 50 ENDURO | 50 | 1985 | | F | |
| | | | B MDX 80 ENDURO | 80 | 1984 | | F | |
| FDB2083 | | ITALJET | B CIAK 125 | 125 | 2001 | | F | |
| | | | B CIAK 150 | 150 | 2001 | | F | |
| | | LINHAI | B JUPITER 125 | 125 | 2001 | | R | |
| | B JUPITER 250 | | 250 | 2001 | | R | | |
| | B Monarch 125 T | | 125 | 2006 | | R | | |
| | YAMAHA | MBK | B Monarch 150 T | 150 | 2006 | | R | |
| | | | B Main Street 300 (Scooter) | 300 | 2007 | | R | |
| | | | B SKYLINER 250 | 250 | 2000 | 2002 | R | |
| YAMAHA | | B 105 CRIFTON | 105 | 1996 | 1998 | F | | |
| | | B TW 125 | 125 | 1998 | 2002 | F | | |
| | | B TW 125 | 125 | 2003 | | F | | |
| | | B X-MAX 125 ABS | 125 | 2011 | | F | | |
| | | B BRONCO 225 | 225 | 1997 | | F | | |
| | | B CELLOW 225 | 225 | 1997 | | F | | |
| | | B X-CITY 250 | 250 | 2008 | | R | | |
| B X-MAX 250 (Brembo Front Caliper) NO ABS | 250 | 2005 | 2009 | R | | | | |
| B X-MAX 250 (Nissin Front Caliper) NO ABS | 250 | 2010 | | R | | | | |
| FDB2084 | YAMAHA | B X-MAX 250 ABS | 250 | 2011 | | R | | |
| | | B XT 250 X | 250 | 2008 | | F | | |
| | | B YP 250 A MAJESTY | 250 | 2000 | | R | | |
| | YAMAHA | B YP 250 MAJESTY DX - ABS | 250 | 1998 | 1999 | R | | |
| | | B YZF 600 R6 | 600 | 1999 | 2002 | R | | |
| | | B YZF 1000 R1 | 1000 | 2002 | 2003 | R | | |
| | | B YZF 750 R7 (OW02) | 750 | 1999 | 2001 | R | | |
| | | B YZF 1000 R1 | 1000 | 1998 | 2001 | R | | |
| | | FDB2085 | SUZUKI | B AN 250 BURGMAN W/X/Y | 250 | 1996 | 2002 | F |
| | | | | B SKY WAVE 250 (type II) | 250 | 1998 | | F |
| B 400 BURGMAN | 400 | | | 1998 | | F | | |
| SYM | B 400 BURGMAN BUSINESS | | 400 | 2001 | | F | | |
| | B GTS 250 | | 250 | 2007 | | F | | |
| | B GTS 300 | | 300 | 2009 | | F | | |
| | B JOYMAX 300 EVO / EVO I | | 300 | 2009 | | F | | |
| | B JOYRIDE 300 EVO I | | 300 | 2010 | | F | | |
| | B GT 500 | | 500 | 2004 | | F | | |
| | B TROPHY SE | | 1215 | 2012 | | F | | |
| YAMAHA | B FJR 1300A/FJR 1300AS | 1300 | 2006 | | F | | | |
| | B XVS1900A Midnight Star / CFD | 1900 | 2013 | | F | | | |
| | FDB2086 | SUZUKI | B AN 250 BURGMAN W/X/Y | 250 | 1996 | 2002 | R | |
| B SKY WAVE 250 (type II) | | | 250 | 1998 | | R | | |
| B 400 BURGMAN | | | 400 | 1998 | | R | | |
| FDB2087 | | BENELLI | B Caffe Nero 250 Left | 250 | 2008 | 2011 | F | |
| | | | HONDA | B NS-1 75 | 75 | 1992 | | F |
| | | B TA 200 | | 200 | 2003 | 2004 | F/R | |
| | | KAWASAKI | B BN 125 A3/A4 ELIMINATOR | 125 | 2000 | | F | |
| | | | B NINJA 250R | 250 | 2008 | | F/R | |
| | | | B NINJA 300 | 300 | 2013 | | F/R | |
| | | KEEWAY | B Silverblade 125 | 125 | 2010 | 2011 | F/R | |
| B Work 125/150 (4T) | 125 | | 2012 | | F | | | |
| KSR MOTO BY GENERIC | B ACTIVE 50 | | 50 | 2005 | 2006 | F | | |
| | B BET & WIN 50 | | 50 | 2002 | 2006 | F | | |
| KYMCO | HONDA | B DINK / GRAND DINK 50 / New Dink | 50 | 1997 | | F | | |
| | | B DINK 50 | 50 | 2010 | | F | | |
| | KAWASAKI | B JETIX 50 | 50 | 2008 | | R | | |
| | | B LIKE 50 2T/4T | 50 | 2008 | | F | | |
| | | B SENTO 50 | 50 | 2008 | | F | | |
| | | B SPACER 50 | 50 | 1999 | | F | | |
| | | B SUPER 9 50 LC / SUPER 9 S | 50 | 2000 | | F | | |
| | | B TOP BOY 50 | 50 | 1997 | 2000 | F | | |
| | | B TOP BOY 100 | 100 | 1997 | | F | | |



CC FROM TO FRONT / REAR

...FDB2087

| | | | | | | |
|---------|---------|---|-----|------|------|-----|
| | B | LIBERO 111 4T | 111 | 2008 | | F |
| | B | ACTIV 110 / 125 | 125 | 2004 | | F |
| | B | B & W 125 BET & WIN Dinksport | 125 | 2000 | | F/R |
| | B | DINK / GRAND DINK 125 /New Dink | 125 | 1997 | | F/R |
| | B | DINK 125 | 125 | 2010 | | F/R |
| | B | EGO 125 | 125 | 2001 | 2003 | F/R |
| | B | GRAND DINK 125 | 125 | 2001 | | F/R |
| | B | HIPSTER 125 | 125 | 1999 | | F |
| | B | LIKE 125 4T | 125 | 2008 | | F/R |
| | B | MOVIE 125 (4T) | 125 | 2001 | 2008 | F |
| | B | QUANNON 125 / NAKED 125 | 125 | 2007 | | F/R |
| | B | SECTOR 125 | 125 | 1998 | 2001 | F |
| | B | SPACER 125 | 125 | 1998 | | F/R |
| | B | SPIKE 125 | 125 | 2004 | | F/R |
| | B | YAGER 125 | 125 | 2001 | | F/R |
| | B | ZING 125 / ZING II 125 | 125 | 1998 | | F |
| | B | ZING II 125 | 125 | 2010 | | F |
| | B | AGILITY CITY 150 | 150 | 2008 | | R |
| | B | B & W 150 BET & WIN | 150 | 2000 | | F/R |
| | B | DINK / GRAND DINK 150 | 150 | 1997 | | F/R |
| | B | HIPSTER 150 | 150 | 1999 | | F |
| | B | MOVIE 150 | 150 | 2001 | | F |
| | B | SPACER 150 | 150 | 2003 | | F/R |
| | B | YAGER 150 | 150 | 2001 | | F |
| | B | AGILITY 200 i R16 | 200 | 2010 | 2012 | R |
| | B | DINK / SPACER / YAGER 200 / New Dink | 200 | 2004 | | F/R |
| | B | LIKE 200 i | 200 | 2010 | | R |
| | B | B & W 250 BET & WIN | 250 | 2000 | | F/R |
| | B | EGO 250 | 250 | 2001 | | F/R |
| | B | PEOPLE 250 | 250 | 2004 | 2005 | F |
| | B | YUP 250 | 250 | 2003 | | F/R |
| PEUGEOT | | WTR 125 | 125 | 2008 | | F |
| PGO | | G-Max 125 | 125 | 2006 | 2008 | R |
| | | G-Max 125 (Wave disc) | 125 | 2009 | 2012 | R |
| | | G-Max 250 | 250 | 2006 | 2008 | R |
| SINNIS | B | QM 125- 2 D Stealth 125 Right | 125 | 2008 | 2010 | F |
| | B | Grampus 250 | 250 | 2010 | | F |
| SUZUKI | B | ADDRESS 125 | 125 | 2008 | | F |
| | B | 400 BURGMAN | 400 | 2006 | 2007 | F |
| SYM | | Euro MX 125 (HF12W3-6 Euro 2) (Rear disc model) | 125 | 2006 | 2009 | R |
| | B | SHARK 4 VR 125 | 125 | 2000 | 2002 | R |
| | B | XS 125 K | 125 | 2007 | 2012 | F |
| | B | SHARK 4 VR 150 | 150 | 2000 | 2002 | R |
| FDB2090 | APRILIA | B SR 50 2000 | 50 | 2000 | | R |
| | | B SR 50 FACTORY | 50 | 2004 | | R |
| | | B SR 50 R | 50 | 2008 | | F/R |
| | | B ATLANTIC (ARECIFE) 125 | 125 | 2003 | | R |
| | | Atlantic 125 | 125 | 2010 | | R |
| | | B RS 125 | 125 | 2006 | | R |
| | | B RS 125 2T RADIAL CALIPER | 125 | 2006 | 2012 | R |
| | | B SCARABEO 125 | 125 | 1998 | 2006 | R |
| | | B SCARABEO 125 Street | 125 | 2007 | | R |
| | | Sport City Cube 125 | 125 | 2008 | 2012 | R |
| | | B SPORTCITY 125 ie | 125 | 2004 | | R |
| | | SR STREET 50 | 125 | 2003 | | R |
| | | B SCARABEO 150 | 150 | 1998 | | R |
| | | B ATLANTIC (ARECIFE) 200 | 200 | 2003 | 2007 | R |
| | | B SCARABEO 200 | 200 | 2001 | 2007 | R |
| | | B SCARABEO 200 | 200 | 2009 | | R |
| | | B SCARABEO 200 / Class | 200 | 2008 | | R |
| | | Sport City Cube 200 | 200 | 2008 | 2009 | R |
| | | B SPORTCITY 200 | 200 | 2004 | | R |
| | | B ATLANTIC 250 | 250 | 2008 | | R |
| | | B LEONARDO 250 | 250 | 1999 | | R |
| | | B SCARABEO 250 ie | 250 | 2007 | | R |
| | | B SPORTCITY 250 ie | 250 | 2007 | | R |
| | | B ATLANTIC 300 | 300 | 2010 | | R |
| | | B LEONARDO 300 | 300 | 2004 | | R |
| | | B SCARABEO 300 Class / Special | 300 | 2010 | | R |
| | | B SPORTCITY 300 / Cube Black line | 300 | 2008 | | R |
| | | B ATLANTIC Sprint 400 | 400 | 2007 | | R |
| | | B SCARABEO 400 ie | 400 | 2007 | | R |
| | | B ATLANTIC (ARECIFE) 500 (right) | 500 | 2001 | | R |
| | | B ATLANTIC Sprint 500 | 500 | 2007 | | R |
| | | B SCARABEO 500 | 500 | 2003 | | R |
| | | B SCARABEO 500 | 500 | 2008 | | R |
| | | B SCARABEO 500 Class | 500 | 2010 | | R |
| BENELLI | B | Velvet 125 (13 Front Wheel/Touring) | 125 | 2008 | 2012 | R |



CC FROM TO FRONT / REAR

| | | | | | | |
|---------------------|-----------------|--------------------------------------|------|------|------|-----|
| | B | Velvet 150 (13 Front Wheel/Touring) | 150 | 2008 | 2012 | R |
| | B | VELVET 250 | 250 | 1999 | | R |
| | B | EIKON 125 | 125 | 1999 | | R |
| BETA | B | EIKON 150 | 150 | 1999 | | R |
| | B | RKV 125 | 125 | 2010 | 2012 | R |
| KEEWAY | B | Code S 125/150/200 (4T) | 125 | 2012 | | R |
| KSR MOTO BY GENERIC | B | Code X 125/150/200 (4T) | 125 | 2012 | | R |
| | B | MADISON 125 | 125 | 1999 | 2003 | R |
| MALAGUTI | B | MADISON 3 - 125 | 125 | 2006 | | R |
| | B | PHANTOM MAX 125 | 125 | 2004 | | R |
| | B | MADISON 150 | 150 | 1999 | 2003 | R |
| | B | MADISON 180 | 180 | 1999 | 2003 | R |
| | B | MADISON S 200 | 200 | 2004 | | R |
| | B | PHANTOM MAX 200 | 200 | 2004 | | R |
| | B | MADISON 250 | 250 | 1999 | 2003 | R |
| | B | MADISON 3 250 RS | 250 | 2004 | | R |
| | B | PASSWORD 250 | 250 | 2005 | | R |
| | B | PHANTOM MAX 250 | 250 | 2006 | | R |
| | B | MADISON K 400 | 400 | 2002 | | R |
| TGB | B | 202 CLASSIC 50 | 50 | 2003 | | F |
| | B | AKROS TEC 50 | 50 | 2003 | | F |
| | B | DELIVERY 50 | 50 | 2003 | | F |
| FDB2095 | APRILIA | B SCARABEO 100 (Minarelli engine) | 100 | 2000 | | F |
| | B | SCARABEO 100 (Yamaha engine) | 100 | 2000 | | F |
| | B | SCARABEO 100 4T / Net | 100 | 2001 | | F |
| | B | HABANA 125 all models | 125 | 1999 | | F |
| | B | LEONARDO 125 | 125 | 1999 | | F/R |
| | B | SR 125 | 125 | 1999 | | F |
| | B | LEONARDO 150 | 150 | 1999 | | F/R |
| | B | SR 150 | 150 | 1999 | | F |
| FDB2096 | ARCTIC CAT ATV | A 50 DVX (4T) | 50 | 2006 | 2008 | R |
| | A | 50 Utility | 50 | 2006 | 2008 | R |
| | A | 90 DVX | 90 | 2006 | 2010 | R |
| | A | 90 DVX SE | 90 | 2009 | | R |
| | A | 90 DVX SE | 90 | 2009 | | R |
| | A | 90 Reverse Gear Model | 90 | 2010 | 2012 | R |
| | A | 90 Utility (2 x 4) | 90 | 2006 | 2010 | R |
| | A | 150 Utility 2x4 | 150 | 2009 | 2010 | R |
| | A | KFX 50 / KSF 50 | 50 | 2007 | 2009 | R |
| | A | KFX 90 / KSF 90 | 90 | 2007 | 2010 | R |
| | KAWASAKI ATV | B AGILITY Carry 50 | 50 | 2010 | | F |
| | KYMCO | B AGILITY CITY 50 - 16" (4T/2T) | 50 | 2008 | | F |
| | | B DJ 50S | 50 | 2010 | | F |
| | | B PEOPLE / PEOPLE S 50 4T | 50 | 1999 | | F |
| | | B SUPER 8 50 2T | 50 | 2007 | | F |
| | | B SUPER 9 50 LC / SUPER 9 S | 50 | 2000 | | R |
| | | B AGILITY 125 R16 | 125 | 2008 | | F |
| | | B AGILITY RS 125 R12 (2T) | 125 | 2009 | | F |
| | | B PEOPLE / PEOPLE S 125 | 125 | 1999 | 2005 | F |
| | | B PEOPLE / PEOPLE S 125 | 125 | 2006 | | F |
| | | B SUPER 8 125 | 125 | 2008 | | F |
| | | B AGILITY CITY 150 | 150 | 2008 | | F |
| | | B PEOPLE 150 | 150 | 1999 | | F |
| | | B AGILITY 200 i R16 | 200 | 2010 | 2012 | F |
| | | B PEOPLE S 200 | 200 | 2004 | 2007 | F |
| | | B PEOPLE S 200 i | 200 | 2007 | | F |
| | | B PEOPLE 250 S | 250 | 2006 | | F/R |
| | | B PEOPLE 250 S (Left rear caliper) | 250 | 2006 | | F |
| | KYMCO ATV | A Mongoose 50 (4T) (Rear disc model) | 50 | 2008 | 2009 | R |
| | A | Mongoose 70 (4T) | 70 | 2007 | 2009 | R |
| | A | Mongoose 90 | 90 | 2002 | 2010 | R |
| | A | Mxer 90 | 90 | 2004 | | R |
| | A | Mxer - MXU 150 | 150 | 2003 | 2010 | R |
| LAVERDA | B | PHOENIX 125 / 150 / 200 | 125 | 2001 | | R |
| SYM | B | HD 125 | 125 | 2004 | 2007 | F |
| | B | JOYRIDE 125 | 125 | 2001 | 2005 | R |
| | B | JOYRIDE 150 | 150 | 2001 | | R |
| | B | HD 200 | 200 | 2004 | 2005 | F |
| | B | JOYRIDE 200 | 200 | 2001 | | R |
| FDB2097 | HARLEY DAVIDSON | B XL 883 C CUSTOM | 883 | 2000 | 2003 | F/R |
| | B | XL 883 R ROADSTER | 883 | 2002 | 2003 | F/R |
| | B | XLH 883 | 883 | 2000 | 2003 | F/R |
| | B | XL 1200 C CUSTOM | 1200 | 2000 | 2003 | F/R |
| | B | XL 1200 S SPORT | 1200 | 2000 | 2003 | F/R |
| | B | XLH 1200 | 1200 | 2000 | 2003 | F/R |
| | B | FLHR Road King® (all models) | 1340 | 2000 | 2007 | F/R |
| | B | FLHT Electra Glide® (all models) | 1340 | 2000 | 2007 | F/R |
| | B | FLSTC Heritage Softail® Classic | 1340 | 2000 | 2007 | F |

B = Bike
A = ATV
S = Snowmobile

FERODO
MOTORCYCLE PADS
Updated on 30th Jan 2014

B = Bike
A = ATV
S = Snowmobile

3037



CC FROM TO FRONT / REAR

| Code | Brand | Model | CC | FROM | TO | FRONT / REAR |
|---------------------------------|--------------------|---|------|------|------|--------------|
| ...FDB2097 | | B FLSTF Fat Boy® | 1340 | 2000 | 2007 | F |
| | | B FLSTS / FLSTSI Springer Softail® | 1340 | 2000 | 2005 | R |
| | | B FLTR Road Glide® (all models) | 1340 | 2000 | 2004 | F/R |
| | | B FXD Dyna Super Glide® | 1340 | 2000 | 2007 | F/R |
| | | B FXDL Dyna Low Rider® | 1340 | 2000 | 2007 | F/R |
| | | B FXDS-Conv. / Dyna Convertible | 1340 | | | F/R |
| | | B FXDWG Dyna Wide Glide® | 1340 | 2000 | 2007 | F/R |
| | | B FXDX Dyna Super Glide® Sport | 1340 | 2000 | 2005 | F/R |
| | | B FXDXT Super Glide® T - Sport | 1340 | 2001 | 2003 | F/R |
| | | B FXST Softail® Standard | 1340 | 2000 | 2005 | F/R |
| | | B FXST Softail® Standard | 1340 | 2006 | 2007 | F |
| | | B FXSTB Night Train® | 1340 | 2000 | 2005 | F/R |
| | | B FXSTB Night Train® | 1340 | 2006 | 2007 | F |
| | | B FXSTC Softail® Custom | 1340 | 2007 | | F/R |
| | | B FXSTD Softail® Duece® | 1340 | 2000 | 2007 | F |
| | | B FXSTS / FXSTSI Springer Softail® | 1340 | 2000 | 2005 | R |
| | | B VRSC V-Rod® (All Models) | 1340 | 2000 | 2005 | F/R |
| | | B FLHX Street Glide® | 1450 | 2006 | 2007 | F/R |
| | | B FLST Heritage Softail® | 1450 | 2006 | | F |
| | | B FLSTN Softail® Deluxe | 1450 | 2005 | 2007 | F/R |
| B FLSTSC Springer® Classic | 1450 | 2005 | | R | | |
| B FXDB Dyna Street Bob | 1450 | 2005 | 2007 | F/R | | |
| B FXDC Dyna Super Glide® Custom | 1450 | 2005 | 2007 | F/R | | |
| FDB2098 | HONDA | B SILVERWING 400 | 400 | 2006 | | F |
| | | B NT 650 DEAUVILLE | 650 | 2002 | | F/R |
| | | B NT 700 DEAUVILLE 680 / ABS | 680 | 2006 | | R |
| | | B VFR 800 | 800 | 2006 | | R |
| | | B VFR 800 FI | 800 | 1998 | | F/R |
| | | B VFR 800 FI INTERCEPTOR / INTERCEPTOR ABS | 800 | 2002 | 2005 | F/R |
| | | B XL 1000 V VARADERO | 1000 | 1999 | 2003 | F |
| | | B CB 1100 HORNET | 1100 | 1999 | 2000 | F |
| | | B CBR 1100 XX Superblackbird | 1100 | 1998 | | F/R |
| | | B ST 1100 PAN EUROPEAN ABS/TCS (Dual brake) | 1100 | 1996 | 2000 | F |
| | | B CTX1300 | 1300 | 2014 | | R |
| | | B ST 1300 PAN EUROPEAN / ABS | 1300 | 2002 | | F/R |
| | | B ST 1300 PAN EUROPEAN / ABS | 1300 | 2008 | | R |
| | | B GL 1800 GOLDWING | 1800 | 2001 | | F/R |
| | | B VTX 1800 | 1800 | 2001 | | F/R |
| | | B GOLDWING F6B | 1832 | 2012 | | F/R |
| FDB2099 | APRILIA | B SMV 750 Dorsoduro FACTORY | 750 | 2010 | | F |
| | | B TUONO V4 R | 1000 | 2011 | | F |
| | | B TUONO V4 R APRC | 1000 | 2013 | | F |
| | | B DORSODURO 1200 / ABS / ATC | 1200 | 2011 | | F |
| | HONDA HUSQVARNA | B CB 400 SUPER FOUR S | 400 | 1997 | 1998 | F |
| | | B SM 450 RR | 450 | 2010 | | F |
| | | B NUDA 900 R | 900 | 2012 | | F |
| | | B NUDA 900 R ABS | 900 | 2013 | | F |
| FDB2100 | PIAGGIO | B VESPA 125 PX | 125 | 1998 | | F |
| | | B VESPA 150 PX | 150 | 1998 | | F |
| | | B VESPA 200 PX | 200 | 1998 | | F |
| FDB2101 | HONDA | B X8R 50 S | 50 | 1998 | | R |
| | | B X8R 50 X | 50 | 1998 | | R |
| | KYMCO SYM | B SNIPER 50 DD | 50 | 1994 | 1996 | R |
| | | Jet Sport X 50 SR | 50 | 2006 | 2012 | R |
| FDB2102 | BMW | B K 1200 LT | 1200 | 1999 | 2001 | R |
| | | B K 1200 LT | 1200 | 2001 | | R |
| | | B R 1200 CL | 1200 | 2003 | | R |
| FDB2103 | GASGAS | B EC BOY 50 | 50 | 2001 | | F/R |
| | | B EC ROOKIE 50 | 50 | 2001 | | R |
| | | B TXT 125 | 125 | 2001 | 2003 | F/R |
| | | B TXT 200 | 200 | 2000 | 2003 | F/R |
| | | B TXT 249 | 249 | 2001 | 2003 | F/R |
| | | B PAMPERA 250 | 250 | 2002 | | R |
| | | B TXT 250 | 250 | 2000 | | F/R |
| | | B TXT 280 | 280 | 2000 | | F/R |
| | | B TXT 321 | 321 | 2000 | | F/R |
| FDB2105 | APRILIA | B ATLANTIC (ARECIFE) 125 | 125 | 2003 | | F |
| | | Atlantic 125 | 125 | 2010 | | F |
| | | B SCARABEO 125 Street | 125 | 2007 | | F |
| | | B ATLANTIC (ARECIFE) 200 | 200 | 2003 | 2007 | F |
| | | B SCARABEO 200 | 200 | 2009 | | F |
| | | B SCARABEO 200 / Class | 200 | 2008 | | F |
| | | B ATLANTIC 250 | 250 | 2008 | | F |
| | | B SCARABEO 250 ie | 250 | 2007 | | F |
| | | B ATLANTIC 300 | 300 | 2010 | | F |
| | | B SCARABEO 300 Class / Special | 300 | 2010 | | F |
| | | B ATLANTIC Sprint 400 | 400 | 2007 | | F |
| | | B ATLANTIC Sprint 500 | 500 | 2007 | | F |



CC FROM TO FRONT / REAR

| Code | Brand | Model | CC | FROM | TO | FRONT / REAR | | |
|---------------------------|--------------------------------|---------------------------------|-------------------------|------|------------------|--------------|------|------|
| | KYMCO | B PEOPLE GT 125i | 125 | 2010 | | F | | |
| | | B PEOPLE GT 200i | 200 | 2010 | | F | | |
| | | B K-XCT 300i | 300 | 2012 | | F | | |
| | | B PEOPLE GT 300i / ABS | 300 | 2010 | | F | | |
| | | MALAGUTI | B MADISON 250 | 250 | 1999 | 2003 | F | |
| | | | B MADISON K 400 | 400 | 2002 | | F | |
| | | | B LOOXOR 125 / 150 | 125 | 2003 | | F | |
| | | | FDB2106 | AJP | B PR3 125 Enduro | 125 | 2008 | 2011 |
| | | B PR3 125 Enduro Pro | | | 125 | 2008 | 2011 | F |
| | | B PR3 125 Supermoto | | | 125 | 2008 | 2011 | F |
| | | B PR3 125 Supermoto Pro | | | 125 | 2010 | 2011 | F |
| | | B PR4 Enduro 125 | | | 125 | 2010 | 2011 | F |
| B PR4 Enduro Pro 125 | 125 | 2010 | | | 2011 | F | | |
| B PR4 Supermoto 125 | 125 | 2010 | | | 2011 | F | | |
| B PR4 Supermoto Pro 125 | 125 | 2010 | | | 2011 | F | | |
| B PR3 200 Enduro | 200 | 2008 | | | 2011 | F | | |
| B PR3 200 Enduro Pro | 200 | 2010 | | | 2011 | F | | |
| B PR3 200 M/X | 200 | 2010 | | | 2011 | F | | |
| B PR3 200 M/X Pro | 200 | 2010 | | | 2011 | F | | |
| B PR3 200 Supermotard Pro | 200 | 2010 | | | 2011 | F | | |
| B PR3 200 Supermoto | 200 | 2008 | | | 2011 | F | | |
| B PR4 200 Supermoto | 200 | 2010 | | | 2011 | F | | |
| B PR4 200 Supermoto Pro | 200 | 2010 | | | 2011 | F | | |
| | CPI | B PR4 Enduro 200 | 200 | 2010 | 2011 | F | | |
| | | B PR4 Enduro Pro 200 | 200 | 2010 | 2011 | F | | |
| | | B GTS 50 / 125 / 200 | 125 | 2002 | 2003 | F | | |
| | | DERBI | B GP1 50 OPEN | 50 | 2007 | | F | |
| | | | B SENDA DRD RACING R 50 | 50 | 2005 | | F | |
| | | KEEWAY | B CROSS CITY 125 | 125 | 2008 | | F | |
| | | | B SENDA 125 R 4T | 125 | 2005 | | F | |
| | | | B SENDA BAJA 125 SM | 125 | 2008 | | F | |
| | | | B TX50 | 50 | 2010 | 2012 | F | |
| | | KSR MOTO BY GENERIC | B X-Ray 50 Supermoto | 50 | 2007 | 2009 | F | |
| | | | B TX125 | 125 | 2010 | 2012 | F | |
| | | | B Toxic 50 | 50 | 2007 | 2008 | F | |
| B Trigger 125 SM | 125 | | 2008 | 2009 | F | | | |
| MALAGUTI | B Trigger 125 X | 125 | 2008 | 2009 | F | | | |
| | B XSM 50 SUPERMOTARD | 50 | 2003 | | F | | | |
| | B MADISON 125 | 125 | 1999 | 2003 | F | | | |
| | B MADISON 3 - 125 | 125 | 2006 | | F | | | |
| | B PHANTOM MAX 125 | 125 | 2004 | | F | | | |
| | B X3M Motard 125 | 125 | 2008 | | F | | | |
| SHERCO | B MADISON 150 | 150 | 1999 | 2003 | F | | | |
| | B MADISON 180 | 180 | 1999 | 2003 | F | | | |
| | B MADISON S 200 | 200 | 2004 | | F | | | |
| | B PHANTOM MAX 200 | 200 | 2004 | | F | | | |
| | B MADISON 3 250 RS | 250 | 2004 | | F | | | |
| | B PASSWORD 250 | 250 | 2005 | | F | | | |
| | B PHANTOM MAX 250 | 250 | 2006 | | F | | | |
| | B SM 0.5cc Black Panther | 50 | 2008 | 2010 | F | | | |
| | B City Corp 125 (All models) | 125 | 2008 | | F | | | |
| | B SE 1.25 F Enduro (4T) | 125 | 2010 | | F | | | |
| YAMAHA | B SM 1.25 F Black Panther (4T) | 125 | 2010 | | F | | | |
| | B DT 50 R SM | 50 | 2004 | | F | | | |
| | B DT 50 X | 50 | 2008 | | F | | | |
| | B TZR 50 /Race Replica 07 | 50 | 2004 | | F | | | |
| FDB2107 | ALFER | B MC 80 | 80 | 1988 | | R | | |
| | | B TX 300 | 300 | 1990 | | F | | |
| | APRILIA | B CLIMBER 280 | 280 | 1993 | | F/R | | |
| | | B MX 50 ENDURO | 50 | 1992 | | F/R | | |
| | | B SYNT 260 | 260 | 1992 | | F | | |
| | | B ZERO 260 GARA - TECHNO - SYNT | 260 | 1993 | | F | | |
| | BULTACO | B ZERO 260 SYNT | 260 | 1989 | 1992 | F | | |
| | | B LOBITO 75 | 75 | 1999 | | R | | |
| | | CPI | B SUPERCROSS 50 | 50 | 2003 | | F/R | |
| | | | B SUPERMOTO 50 | 50 | 2003 | | F/R | |
| | DERBI | B all models 50 (disc brake) | 50 | 1983 | | F | | |
| | | B AVENTURA 50 | 50 | 1996 | | F | | |
| | | B COPPA 50 FDT | 50 | 1986 | | F | | |
| | | B COPPA 50 FDY | 50 | 1987 | | F | | |
| B DS 50 WORLD CHAMPION | | 50 | 1988 | | F | | | |
| B FD 50 JUMBO | | 50 | 1985 | | F | | | |
| B FURAX 50 | | 50 | 1996 | | F | | | |
| B PREDATOR 50 | | 50 | 1998 | | F/R | | | |
| B PREDATOR 50 0.2 | | 50 | 1999 | | F | | | |
| B RECORD 50 | | 50 | 1998 | | F | | | |
| | B SABANA 50 | 50 | 1990 | | F/R | | | |
| | B SENDA 50 | 50 | 1994 | | R | | | |



CC FROM TO FRONT / REAR

...FDB2107

| CC | FROM | TO | FRONT | REAR | | | |
|-----------------|---|------------------|-------------------------|------|------|------|---|
| B | VAMOS 50 | 50 | 1994 | F | | | |
| B | VAMOS 50 R | 50 | 1996 | F | | | |
| B | VARIANT 50 SPORT R | 50 | 1994 | F | | | |
| B | COPPA 75 SPORT | 75 | 1985 | F | | | |
| B | YUMBO 75 RD-2 FDS | 75 | 1987 | F | | | |
| FANTIC | B | K-ROO 250 | 250 | 1993 | F/R | | |
| FB MINARELLI | B | MR 80 | 80 | F | | | |
| GASGAS | B | TXT 50 BOY | 50 | 2004 | F/R | | |
| B | DELTA 125 | 125 | 1991 | F | | | |
| B | JT 12 125 | 125 | 1995 | F/R | | | |
| B | PAMPERA 125 | 125 | 1996 | F/R | | | |
| B | TRIAL 125 | 125 | 1991 | F | | | |
| B | TT 125 | 125 | 1995 | R | | | |
| B | JTR 140 CONTACT | 140 | 1996 | F/R | | | |
| B | JT 16 150 | 150 | 1995 | F/R | | | |
| B | JT 160 | 160 | 1995 | F/R | | | |
| B | JT 25 250 | 250 | 1991 | F/R | | | |
| B | JT 250 CONTACT | 250 | 1994 | F/R | | | |
| B | JTR 250 CONTACT | 250 | 1996 | F/R | | | |
| B | T 25 250 CONTACT | 250 | 1993 | F/R | | | |
| B | JTR 270 CONTACT | 270 | 1996 | F/R | | | |
| B | JT 32 320 | 320 | 1991 | F/R | | | |
| B | TRIAL 327 | 327 | 1989 | F/R | | | |
| B | GASGAS 350 | 350 | F/R | | | | |
| B | JT 350 | 350 | 1995 | F/R | | | |
| B | JTR 370 CONTACT | 370 | 1996 | F/R | | | |
| MONTESA | B | COTA 309 | 309 | 1989 | F | | |
| B | COTA 335 | 335 | 1989 | F/R | | | |
| B | H7-S 360 | 360 | F | | | | |
| MONTESA (HONDA) | B | COTA 310 | 310 | 1989 | F | | |
| PUCH | B | CONDOR 50 | 50 | F | | | |
| B | MONZA 50 | 50 | 1985 | F | | | |
| B | COBRA 75 | 75 | 1985 | F | | | |
| B | COBRA 80 | 80 | 1984 | F | | | |
| RIEJU | B | MR 80 | 80 | F | | | |
| SHERCO | B | Enduro 50cc (2T) | 50 | 2002 | 2007 | R | |
| B | Supermotard 50cc (2T) | 50 | 2002 | 2007 | R | | |
| B | Trials 0.8 (2T) | 80 | 2001 | 2004 | F | | |
| B | City Corp 125 (All models) | 125 | 2003 | 2007 | R | | |
| B | Trials 1.25cc (2T) | 125 | 1999 | 2005 | F/R | | |
| B | Trials 2.0cc (2T) | 200 | 1999 | 2005 | F/R | | |
| B | Trials 2.5 (2T) | 250 | 1999 | 2005 | F/R | | |
| B | Trials 2.9 (2T) | 290 | 1999 | 2005 | F/R | | |
| YAMAHA | B | DT 50 R | 50 | 2008 | F/R | | |
| B | TY 250 Z | 250 | 1993 | 1995 | F/R | | |
| FDB2108 | LAVERDA | B | PHOENIX 125 / 150 / 200 | 125 | 2001 | F | |
| SYM | B | RS 50 | 50 | 2004 | F | | |
| B | SHARK 50 | 50 | 1999 | 2003 | F | | |
| B | EURO MX 125 | 125 | 2002 | F | | | |
| B | Euro MX 125 (HF12W3-6 Euro 2) (Rear disc model) | 125 | 2006 | 2009 | F | | |
| B | JOYRIDE (Euro2 - Euro3) | 125 | 2005 | F | | | |
| B | JOYRIDE 125 | 125 | 2001 | 2005 | F | | |
| B | JOYRIDE 125 EURO2 | 125 | 2005 | 2006 | F | | |
| B | JOYRIDE Evo | 125 | 2010 | F | | | |
| B | RS 125 | 125 | 2001 | F | | | |
| B | SHARK 125 | 125 | 1999 | 2002 | F | | |
| B | SHARK 4 VR 125 | 125 | 2000 | 2002 | F | | |
| B | VS 125 | 125 | 2006 | F | | | |
| B | EURO MX 150 | 150 | 2002 | F | | | |
| B | JOYRIDE 150 | 150 | 2001 | F | | | |
| B | RS 150 | 150 | 2001 | F | | | |
| B | RS 150 | 150 | 2006 | F | | | |
| B | SHARK 150 | 150 | 1999 | 2002 | F | | |
| B | SHARK 4 VR 150 | 150 | 2000 | 2002 | F | | |
| B | VS 150 | 150 | 2006 | F | | | |
| B | JOYRIDE 200 | 200 | 2001 | F | | | |
| FDB2109 | AJP | B | PR3 125 Enduro | 125 | 2008 | 2011 | R |
| B | PR3 125 Enduro Pro | 125 | 2008 | 2011 | R | | |
| B | PR3 125 Supermoto | 125 | 2008 | 2011 | R | | |
| B | PR3 125 Supermoto Pro | 125 | 2010 | 2011 | R | | |
| B | PR3 200 Enduro | 200 | 2008 | 2011 | R | | |
| B | PR3 200 Enduro Pro | 200 | 2010 | 2011 | R | | |
| B | PR3 200 M/X | 200 | 2010 | 2011 | R | | |
| B | PR3 200 M/X Pro | 200 | 2010 | 2011 | R | | |
| B | PR3 200 Supermotard Pro | 200 | 2010 | 2011 | R | | |
| B | PR3 200 Supermoto | 200 | 2008 | 2011 | R | | |
| BETA | B | EVO 80 | 80 | 2009 | 2012 | F | |
| B | REV 80 | 80 | 2008 | F | | | |



CC FROM TO FRONT / REAR

FDB2110

| CC | FROM | TO | FRONT | REAR | | | |
|-------------------|--|---------------------------------|------------------------|------|------|------|---|
| B | EVO 125 2T | 125 | 2009 | 2011 | F | | |
| B | EVO 125 2T | 125 | 2012 | F | | | |
| B | Rev 3 125 | 125 | 2000 | 2005 | F/R | | |
| B | Rev 3 125 | 125 | 2006 | 2008 | F | | |
| B | EVO 200 2T | 200 | 2009 | 2012 | F | | |
| B | Rev 3 200 | 200 | 2006 | 2008 | F | | |
| B | Evo 250 (2T) | 250 | 2009 | 2012 | F | | |
| B | Evo 250 (4T) | 250 | 2009 | 2012 | F | | |
| B | REV 3 250 | 250 | 2000 | 2004 | F/R | | |
| B | Rev 3 250 | 250 | 2005 | 2008 | F | | |
| B | REV 3 250 / Long Range | 250 | 2008 | F | | | |
| B | REV 4T 250 | 250 | 2007 | 2008 | F | | |
| B | Rev 3 270 | 270 | 2005 | 2008 | F | | |
| B | EVO 290 2T | 290 | 2009 | F | | | |
| B | EVO 300 2T/4T | 300 | 2009 | 2012 | F | | |
| GASGAS | B | TXT 125 / 200 / 250 / 280 / 300 | 125 | 2004 | F | | |
| MONTESA (HONDA) | B | COTA 310 4T / 4RT | 310 | 2007 | F | | |
| B | MH 315 | 315 | 2001 | F | | | |
| SHERCO | B | Trials 0.8 (2T) | 80 | 2005 | 2010 | F | |
| B | Trials 1.25cc (2T) | 125 | 2006 | 2011 | F | | |
| B | Trials 2.5 (2T) | 250 | 2006 | 2011 | F | | |
| B | Trials 2.9 (2T) | 290 | 2006 | 2011 | F | | |
| B | Trials 3.2cc (4T) | 320 | 2005 | 2011 | F | | |
| FDB2110 | KAWASAKI | B | KX 65 | 65 | 1999 | F | |
| B | KX 65 | 65 | 2000 | F | | | |
| SUZUKI | B | RM 65 | 65 | 2003 | F | | |
| FDB2111 | HONDA | B | CB 400 SUPER FOUR (SF) | 400 | 1999 | 2003 | R |
| B | CB 1300 SF | 1300 | 1998 | 2000 | R | | |
| B | CB 1300 X4 | 1300 | 1997 | 2000 | R | | |
| KAWASAKI | B | ZX-7 750 RR NINJA N1 | 750 | 1996 | 1999 | R | |
| B | 1400 GTR | 1400 | 2007 | 2011 | R | | |
| B | ZZR 1400 | 1400 | 2006 | R | | | |
| SUZUKI | B | GSX-R 600 | 600 | 2004 | 2005 | R | |
| B | GSX-R 600 - Racing Applications | 600 | 2004 | 2005 | R | | |
| B | BANDIT 650 S (left) | 650 | 2005 | 2007 | R | | |
| B | GSX-R 750 | 750 | 2004 | 2005 | R | | |
| B | GSX-R 750 - Racing Applications | 750 | 2004 | 2005 | R | | |
| B | GSX R 1000 | 1000 | 2001 | 2002 | R | | |
| B | GSX R 1000 (Racing Applications) | 1000 | 2001 | 2002 | R | | |
| B | GSX R 1000 K3 | 1000 | 2003 | R | | | |
| B | GSX R 1000 K3 - Racing Applications | 1000 | 2003 | R | | | |
| B | GSX-R 1000 - Racing Applications | 1000 | 2004 | 2008 | R | | |
| B | GSX 1400 | 1400 | 2002 | R | | | |
| YAMAHA SNOWMOBILE | S | NISSIN (all models) | | 1997 | 1999 | R | |
| S | SRX 600 - 700 | | 1998 | 1999 | R | | |
| S | SRX 700 - MOUNTAIN MAX 700 | | 2000 | 2001 | R | | |
| S | SX 500R - 600R - 700R | | | | R | | |
| S | V-MAX 500 - 600 - 700 (all) | | 1997 | 1999 | R | | |
| S | V-MAX 800 | | 1998 | 2000 | R | | |
| S | VENTURE 500 - 600 - 700 | | 1997 | 2000 | R | | |
| FDB2113 | HONDA | B | CBR 600 F2 | 600 | 1991 | 1994 | F |
| FDB2114 | HARLEY DAVIDSON | B | XR 1200 | 1200 | 2008 | 2010 | F |
| B | XR 1200 X | 1200 | 2010 | F | | | |
| HONDA | B | CB 600 HORNET (Japan) | 600 | 1998 | F | | |
| B | CBR 600 F (Japan) | 600 | 1999 | 2004 | F | | |
| B | CBR 900 RR-FIREBLADE (Japan) | 900 | 1998 | 2003 | F | | |
| B | VTR 1000 SP-1 (Japan) | 1000 | 2000 | 2004 | F | | |
| FDB2115 | BENELLI | B | ADIVA 125 | 125 | 1999 | R | |
| B | ADIVA 150 | 150 | 1999 | R | | | |
| GILERA | B | RUNNER 125 VX 4T | 125 | 2001 | R | | |
| B | RUNNER 180 VXR 4T | 180 | 2001 | R | | | |
| B | RUNNER 200 VXR | 200 | 2004 | R | | | |
| PIAGGIO | B | VESPA LX 50 2T | 50 | 2007 | F | | |
| B | VESPA S50 | 50 | 2008 | F | | | |
| B | DNA 125 | 125 | 2000 | 2003 | R | | |
| B | GTS 125 Super | 125 | 2010 | R | | | |
| B | SUPER HEXAGON 125 GTX | 125 | 2001 | R | | | |
| B | VESPA 946 Special - 125 (4T/4V) | 125 | 2014 | R | | | |
| B | VESPA GRANTURISMO 125 (Grimeca caliper) | 125 | 2003 | R | | | |
| B | VESPA GRANTURISMO 125 (Heng Tong caliper) | 125 | 2003 | R | | | |
| B | Vespa GTS 125 | 125 | 2007 | 2011 | R | | |
| B | Vespa GTS 125 Super | 125 | 2010 | 2012 | R | | |
| B | Vespa GTV 125 | 125 | 2007 | 2009 | R | | |
| B | VESPA LXV 125 / LX 125 / LXW 125 / Touring | 125 | 2007 | F | | | |
| B | SUPER HEXAGON 150 GTX | 150 | 2001 | R | | | |
| B | VESPA LX 150 | 150 | 2007 | F | | | |
| B | DNA 180 | 180 | 2001 | 2002 | R | | |
| B | SUPER HEXAGON 180 GTX | 180 | 2001 | 2003 | R | | |

B = Bike
A = ATV
S = Snowmobile

FERODO
MOTORCYCLE PADS
Updated on 30th Jan 2014

B = Bike
A = ATV
S = Snowmobile

3039



CC FROM TO FRONT / REAR

| Code | Brand | Model | CC | FROM | TO | FRONT / REAR | |
|---|---|---|-------------------------------|------------------|------|--------------|---|
| ...FDB2115 | | B VESPA GRANTURISMO 200 (Grimeca caliper) | 200 | 2003 | | R | |
| | | B VESPA GRANTURISMO 200 (Heng Tong caliper) | 200 | 2003 | | R | |
| | | B SUPER HEXAGON 250 GTX | 250 | 2001 | 2002 | R | |
| | | B VESPA GTS - GTV 250 ie | 250 | 2008 | | R | |
| | | B GTV Via Montenapoleone 280 | 280 | 2010 | | R | |
| | | B VESPA GTS 300 / Super / Supersport | 300 | 2008 | | R | |
| FDB2119 | HONDA | B LEAD 100 | 100 | | | F | |
| | | B 125 DYLAN | 125 | 2002 | | F | |
| | | B @ 125 NES | 125 | 2000 | | F | |
| | | B PS 125 i | 125 | 2007 | | F | |
| | | B SH 125 & 125i (Rear Drum Model) | 125 | 2000 | 2009 | F | |
| | | B @ 150 NES | 150 | 2000 | | F | |
| | | B PS 150i | 150 | 2008 | | F | |
| | | B SH 150 | 150 | 2000 | 2008 | F | |
| | | B YAMAHA ATV | A YFZ 450 (left) - All models | 450 | 2006 | | R |
| | | FDB2120 | APRILIA | B RSV 1000 MILLE | 1000 | 2001 | |
| B RSV 1000 MILLE R | 1000 | | | 2001 | 2003 | F | |
| B RSV 1000 MILLE R / FACTORY / TUONO RACING | 1000 | | | 2004 | | F | |
| BENELLI | B BX 449 Motard | | 449 | 2010 | | F | |
| | B BX 570 Motard | | 570 | 2008 | 2010 | F | |
| | B Cafe Racer 899 | | 899 | 2010 | 2012 | F | |
| | B Century Racer 899 | | 899 | 2011 | 2012 | F | |
| | B TORNADO TRE 900 / RS / Naked Sport Evo | | 900 | 2002 | | F | |
| | B TNT 1130 Cafe Racer | | 1130 | 2006 | 2012 | F | |
| | B TNT 1130 Titanium | | 1130 | 2006 | | F | |
| | B TNT R 160 | 1130 | 2010 | | F | | |
| | B Tomado TRE 1130 (Radial caliper) | 1130 | 2006 | 2010 | F | | |
| | BIMOTA | B DB6 Delirio (992cc) Ducati engine | 992 | 2007 | | F | |
| B DB5 (All models) | | 1000 | 2006 | 2007 | F | | |
| B DB5R | | 1078 | 2006 | 2007 | F | | |
| B DB5R/S (1078cc) | | 1078 | 2008 | 2009 | F | | |
| B DB6 (1078cc) | | 1078 | 2008 | 2009 | F | | |
| B DB6 Elirio | | 1078 | 2006 | | F | | |
| B DB6R (1078cc) | | 1078 | 2008 | 2009 | F | | |
| B Tesi-3D (1078cc) | | 1078 | 2009 | | F | | |
| B DB7 (1098cc) | | 1098 | 2008 | | F | | |
| B DB6 (1100cc) | | 1100 | 2008 | | F | | |
| CAGIVA | B DB6R Delirio (1100cc) | 1100 | 2008 | | F | | |
| | B TEST 3D 1100 | 1100 | 2009 | | F | | |
| | B RAPTOR X3 1000 | 1000 | 2003 | | F | | |
| | DERBI | B MULHACEN CAFE' 659 Angel Nieto Lim. Ed. | 659 | 2008 | | F | |
| | | B 748 / 748R / 748S | 748 | 2001 | | F | |
| | DUCATI | B 749 / 749R / 749S / 749 DARK | 749 | 2003 | | F | |
| | | B 996 R TESTA STRETTA | 996 | 2001 | | F | |
| | | B 998 R | 998 | 2002 | | F | |
| | | B 998 SFE | 998 | 2003 | | F | |
| | | B 999 R / S | 999 | 2003 | | F | |
| B HYPERMOTARD 1000 | | 1000 | 2006 | | F | | |
| B MONSTER S4R / S4RS 1000 | | 1000 | 2006 | 2007 | F | | |
| B MONSTER S4R S Testastretta/tricolore | | 1000 | 2008 | | F | | |
| HUSQVARNA | | B SMR 449 | 449 | 2011 | | F | |
| | | B SM 450 R /RR | 450 | 2007 | 2009 | F | |
| | B SM 510 R | 510 | 2007 | | F | | |
| | B SMR 511 | 511 | 2011 | | F | | |
| | B SM 610 R / IE | 610 | 2007 | | F | | |
| | B SM 630 S | 630 | 2010 | | F | | |
| | B SMR 630 | 630 | 2011 | | F | | |
| | B STR 650 | 650 | 2007 | | F | | |
| | KTM | B 690 DUKE R | 690 | 2010 | 2012 | F | |
| | | B 690 SMC R (ABS Std) | 690 | 2013 | | F | |
| B 690 SMR / SMC / DUKE / SupermotoR | | 690 | 2008 | | F | | |
| B LC4 690 SUPERMOTO Prestige | | 690 | 2007 | | F | | |
| B DUKE 950 / 990 / 990 RC8 | | 950 | 2003 | | F | | |
| B SUPERMOTO 950 | | 950 | 2005 | | F | | |
| B 990 SMR | | 990 | 2008 | 2009 | F | | |
| B 990 SMT | | 990 | 2009 | | F | | |
| B 990 SUPERDUKE | | 990 | 2005 | 2011 | F | | |
| B 990 SUPERDUKE R | | 990 | 2007 | | F | | |
| LAVERDA | B SFC 1000 | 1000 | 2003 | | F | | |
| | B MOTO GUZZI | B MGS - 01 Corsa | 1225 | 2007 | | F | |
| MV AGUSTA | B BRUTALE 910 R / Starfighter | 910 | 2006 | | F | | |
| | B F4 1000 R (1+1) | 1000 | 2006 | 2007 | F | | |
| SHERCO | B SM 4.5i F (Black Panther) | 450 | 2008 | 2010 | F | | |
| | B SM 5.1i F Black Panther | 510 | 2008 | 2010 | F | | |
| TM | B SMM 125 (2T) Black Dream (320mm front disc) | 125 | 2008 | 2011 | F | | |
| | B SMM 250 F (4T) | 250 | 2010 | 2011 | F | | |
| | B SMR 250 F (4T) | 250 | 2010 | 2011 | F | | |
| | B SMM 450 F Black Dream ES (320mm front disc) | 450 | 2008 | 2010 | F | | |



CC FROM TO FRONT / REAR

| Code | Brand | Model | CC | FROM | TO | FRONT / REAR | | |
|----------------------------|-----------|---|--------------------|--------------------------|------|--------------|------|---|
| FDB2121 | TRIUMPH | B SMR 450 F (4T) | 450 | 2010 | 2011 | F | | |
| | | B SMX 450 F | 450 | 2005 | 2011 | F | | |
| | | B SMX 450 F Competition (4T) | 450 | 2005 | 2008 | F | | |
| | | B SMM 530 F Black Dream ES (320mm front disc) | 530 | 2008 | 2010 | F | | |
| | | B SMR 530 F | 530 | 2010 | 2011 | F | | |
| | | B SMX 530 F | 530 | 2005 | 2011 | F | | |
| | | B SMX 660 F | 660 | 2005 | 2010 | F | | |
| | | B SPEED TRIPLE 1050 | 1050 | 2008 | | F | | |
| | | FDB2122 | POLARIS ATV | A MAGNUM (All models) | | 1999 | 2001 | R |
| | | | | A SCRAMBLER (All Models) | | 1998 | 2004 | R |
| A TRAIL BOSS (All Models) | | | | 2000 | 2004 | R | | |
| A TRAIL BLAZER 250 | 250 | | | 1999 | 2004 | R | | |
| A XPLOERER 250 | 250 | | | 2000 | | R | | |
| A XPEDITION 325 | 325 | | | 2000 | 2001 | R | | |
| A SPORTSMAN 335 | 335 | | | 1999 | 2000 | R | | |
| A Sport 400 | 400 | | | 1999 | 2000 | R | | |
| A SPORTSMAN 400 | 400 | | | 2001 | 2002 | R | | |
| A XPLOERER 400 | 400 | | | 1999 | 2002 | R | | |
| FDB2123 | QUADZILLA | A XPEDITION 425 | 425 | 2000 | | R | | |
| | | A DIESEL 455 | 455 | 1999 | 2001 | R | | |
| | | A SPORTSMAN 500 | 500 | 1998 | 2002 | R | | |
| | | A CUV 300 E 4x4 Side x Side | 300 | 2008 | 2009 | R | | |
| | | A 320 e 4x4 Parking brake | 320 | 2007 | 2008 | F | | |
| | | A CVT 320 e Parking brake | 320 | 2007 | 2011 | R | | |
| | | A QZ 320 E 4x4 | 320 | 2009 | | R | | |
| | | FDB2124 | APRILIA | B SX 450 | 450 | 2008 | | F |
| | | | | B SX 550 | 550 | 2008 | | F |
| | | | | B SMR 650 | 650 | 2007 | | F |
| FDB2125 | BMW | B V12 LM | 1200 | 2010 | | F | | |
| | | B R 850 R | 850 | 2001 | | F | | |
| | | B R 1100 S ABS | 1100 | 2001 | | F | | |
| | | B R 1150 R / ROCKSTER | 1150 | 2001 | | F | | |
| | | B R 1150 R ROADSTER | 1150 | 2001 | | F | | |
| | | B K 1200 RT | 1200 | 2008 | | F | | |
| | | B R 1200 C CLASSIC | 1200 | 2003 | | F | | |
| | | B R 1200 C MONTAUK | 1200 | 2004 | | F | | |
| | | B R 1200 CL | 1200 | 2003 | | F | | |
| | | B R 1200 R | 1200 | 2007 | | F | | |
| FDB2126 | BMW | B K 1300 GT | 1300 | 2009 | | F | | |
| | | B K 1300 R | 1300 | 2009 | | F | | |
| | | B K 1600 GT/ GTL/GTL E | 1600 | 2011 | | F | | |
| | | B ZRX 400 (ZR 400 E2) | 400 | 1999 | 2001 | F | | |
| | | B R 850 RT | 850 | 2002 | 2003 | F | | |
| | | B R 1100 S (no ABS) | 1100 | 2001 | | F | | |
| | | B R 1150 GS ADVENTURE | 1150 | 2003 | | F | | |
| | | B R 1150 RS / RT | 1150 | 2002 | | F | | |
| | | B R 1150 RT | 1150 | 2001 | | F | | |
| | | B HP2 Megamoto 1200 | 1200 | 2008 | | F | | |
| FDB2127 | SYM | B K 1200 GT | 1200 | 2003 | 2007 | F | | |
| | | B K 1200 GT | 1200 | 2007 | | F | | |
| | | B K 1200 LT | 1200 | 2001 | | F | | |
| | | B K 1200 RS | 1200 | 2002 | | F | | |
| | | B K 1200 S / R | 1200 | 2004 | | F | | |
| | | B R 1200 GS /Adventure | 1200 | 2004 | | F | | |
| | | B R 1200 S / ST / RT | 1200 | 2007 | | F | | |
| | | B K 1300 S | 1300 | 2009 | | F | | |
| | | FDB2128 | YAMAHA | B Voyager 250 | 250 | 2005 | | R |
| | | | | B XP 500 T MAX | 500 | 2001 | 2003 | R |
| B XP 530 T MAX | 530 | | | 2012 | | R | | |
| B XP 530 T MAX ABS | 530 | | | 2012 | | R | | |
| FDB2129 | BETA | B FJR 1300 | 1300 | 2001 | 2002 | R | | |
| | | B MINICROSS 50 PRO RACE 12/10 | 50 | 2004 | 2006 | F/R | | |
| | | B Mintrial 50 | 50 | 2009 | 2012 | F | | |
| | | B Pro Race 50 | 50 | 2005 | | R | | |
| | | B EVO 125 2T | 125 | 2009 | 2011 | R | | |
| | | B EVO 290 2T | 290 | 2009 | | R | | |
| | | B TXT 125 / 200 / 250 / 280 / 300 | 125 | 2004 | | R | | |
| | | GASGAS | B CR 50 Junior | 50 | 2005 | | F | |
| | | | B CR 50 Senior Pro | 50 | 2005 | | F | |
| | | | B TE 100 | 100 | 2005 | | F | |
| B All models trial | | | 2001 | | R | | | |
| FDB2130 | HUSQVARNA | B SR 125 (2T) | 125 | 2010 | 2011 | R | | |
| | | B SR 125 Long Ride (2T) | 125 | 2010 | 2011 | R | | |
| | | B SY 125 (4T) Long Ride | 125 | 2009 | 2010 | R | | |
| | | B TY 125 (4T) | 125 | 2011 | 2012 | R | | |
| | | B SY 200 F (4T) (163cc) | 200 | 2008 | | R | | |
| | | B SY 250 F (4T) Long Ride | 250 | 2007 | 2008 | R | | |
| | | B SY 250 FR (4T) Long Ride | 250 | 2010 | | R | | |
| | | MONTESA | B All models trial | | 2001 | | R | |
| | | | SCORPA | B SR 125 (2T) | 125 | 2010 | 2011 | R |
| | | | | B SR 125 Long Ride (2T) | 125 | 2010 | 2011 | R |
| B SY 125 (4T) Long Ride | 125 | | 2009 | 2010 | R | | | |
| B TY 125 (4T) | 125 | 2011 | 2012 | R | | | | |
| B SY 200 F (4T) (163cc) | 200 | 2008 | | R | | | | |
| B SY 250 F (4T) Long Ride | 250 | 2007 | 2008 | R | | | | |
| B SY 250 FR (4T) Long Ride | 250 | 2010 | | R | | | | |



CC FROM TO FRONT / REAR

| Code | Brand | Model | CC | FROM | TO | FRONT / REAR | | |
|--|--|-------------------------|----------------|------------------|------|--------------|------|---|
| ...FDB2127 | SHERCO | B SR 280 (2T) | 280 | 2009 | 2012 | R | | |
| | | B SR 280 (2T) Long Ride | 280 | 2009 | 2011 | R | | |
| | | B Raidster 660 | 660 | 2007 | | R | | |
| | | B Trials 0.8 (2T) | 80 | 2001 | 2004 | R | | |
| | | B Trials 0.8 (2T) | 80 | 2005 | 2010 | R | | |
| | | B Trials 1.25cc (2T) | 125 | 2006 | 2011 | R | | |
| | | B Trials 2.5 (2T) | 250 | 2006 | 2011 | R | | |
| | | B Trials 2.9 (2T) | 290 | 2006 | 2011 | R | | |
| B Trials 3.2cc (4T) | 320 | 2005 | 2011 | R | | | | |
| FDB2128 | DERBI | B SENDA DRD Pro 50 SM | 50 | 2008 | | R | | |
| | | B BOULEVARD 125 / 150 | 125 | 2003 | | F | | |
| | | B CROSS CITY 125 | 125 | 2008 | | R | | |
| | | B SENDA BAJA 125 SM | 125 | 2008 | | R | | |
| | | B TERRA 125 ADVENTURE | 125 | 2008 | 2009 | R | | |
| | | B FUOCO 500 ie | 500 | 2011 | | R | | |
| | | B GP800 | 800 | 2011 | | R | | |
| | | HONDA | B HM 50 CRE | 50 | 2006 | | R | |
| | | | ITALJET | B MILLENNIUM 100 | 100 | 2002 | 2003 | F |
| | | | | B JET SET 125 | 125 | 2002 | 2003 | F |
| PEUGEOT | B MILLENNIUM 125 | 125 | 2001 | 2003 | F | | | |
| | B JET SET 150 | 150 | 2002 | 2003 | F | | | |
| | B MILLENNIUM 150 | 150 | 2001 | 2003 | F | | | |
| | B ELYSEO 125 | 125 | 2001 | 2002 | F | | | |
| | B ELYSEO 125 | 125 | 2003 | | R | | | |
| | Elystar 125 (5 bolt fixing front disc) | 125 | 2006 | 2007 | R | | | |
| | Geopolis 125 (AJP Caliper/ABS) | 125 | 2007 | 2012 | R | | | |
| | Geopolis 125 Executive (AJP Caliper/Non ABS) | 125 | 2007 | 2012 | R | | | |
| | Geopolis 125 Urban (AJP Caliper/ ABS) | 125 | 2007 | 2012 | R | | | |
| | B SATELIS 125 / 600 | 125 | 2004 | 2005 | R | | | |
| Satelis 125 4V Executive/Premium/City (4 stroke/4 valve) | 125 | 2006 | 2009 | R | | | | |
| Satelis 125 Blacksats (AJP Calipers) | 125 | 2010 | 2011 | R | | | | |
| Satelis 125 Compressor (4T) | 125 | 2006 | 2011 | R | | | | |
| Satelis 125 RS (AJP Caliper) | 125 | 2007 | 2011 | R | | | | |
| Satelis 125 Urban (AJP Caliper/ABS) | 125 | 2007 | 2011 | R | | | | |
| Satelis 125 Whitesat (AJP Calipers) | 125 | 2010 | 2011 | R | | | | |
| B ELYSEO 150 | 150 | 2000 | | R | | | | |
| B ELYSEO 150 | 150 | 2001 | | R | | | | |
| Elystar 150 (5 bolt fixing front disc) | 150 | 2006 | 2007 | R | | | | |
| Geopolis 250 Executive (AJP caliper/ Non ABS) | 250 | 2007 | 2011 | R | | | | |
| Geopolis 250 Urban (AJP caliper/ ABS) | 250 | 2007 | 2011 | R | | | | |
| Satelis 250 Urban (AJP Caliper/ABS) | 250 | 2007 | 2012 | R | | | | |
| Geopolis 400 Urban (AJP Caliper/ ABS) | 400 | 2007 | 2012 | R | | | | |
| SCORPA | B T-Ride 125 F (Enduro) | 125 | 2010 | | R | | | |
| | B T-Ride 250 F (Enduro) | 250 | 2008 | 2011 | R | | | |
| SHERCO | B Enduro 50c (2T)/Urban/SU - Spoke wheel models) | 50 | 2008 | 2010 | R | | | |
| | B SM 0.5cc Black Panther | 50 | 2008 | 2010 | R | | | |
| | B SU 50 (2T) Urban Base - Cast wheel model) | 50 | 2010 | | R | | | |
| B City Corp 125 (All models) | 125 | 2008 | | R | | | | |
| B SE 1.25 F Enduro (4T) | 125 | 2010 | | R | | | | |
| YAMAHA | B SM 1.25 i F Black Panther (4T) | 125 | 2010 | | R | | | |
| | B DT 50 R SM | 50 | 2004 | | R | | | |
| | B DT 50 X | 50 | 2008 | | R | | | |
| | B XT 125 R | 125 | 2008 | | F/R | | | |
| B XT 125 X | 125 | 2008 | | R | | | | |
| FDB2129 | SYM | B HUSKY 125 | 125 | 2000 | | F | | |
| | | B HUSKY 150 | 150 | 2000 | | F | | |
| FDB2130 | HONDA | B JAZZ 250 | 250 | 2001 | | R | | |
| FDB2132 | SUZUKI | B AN 250 BURGMAN K1/K2 | 250 | 2001 | 2002 | R | | |
| | | B 400 BURGMAN BUSINESS | 400 | 2001 | | R | | |
| FDB2133 | KAWASAKI SUZUKI | B KLX 125 L | 125 | 2003 | | F | | |
| | | B TR 50 STREET MAGIC | 50 | 1998 | 2000 | F | | |
| | | B RM 80 XT - XV - X | 80 | 1996 | 2001 | F | | |
| | | B RM 85 L | 85 | 2002 | 2004 | F | | |
| | | B UG 110 HOKUTO | 110 | 2000 | 2004 | F | | |
| | | B AN 125 | 125 | 1995 | 2000 | F | | |
| | | B DR-Z 125 | 125 | 2003 | | F | | |
| | | B UE - 125 EPICURO | 125 | 1998 | 2000 | F | | |
| | | B UE - 125 EPICURO | 125 | 2001 | 2002 | F/R | | |
| | | B UC 150 EPICURO | 150 | 1998 | 2000 | F | | |
| | | B UC 150 EPICURO | 150 | 2001 | 2002 | F/R | | |
| | | FDB2136 | LYN SNOWMOBILE | S Enduro | 1998 | 2000 | | R |
| S GLX 5009 ST | 1998 | | | 2000 | | R | | |
| S Gran Touring 700 | 1998 | | | 2000 | | R | | |
| S Rave Special | 1998 | | | 2000 | | R | | |
| FDB2139 | APRILIA HONDA | B MXV 450 | 450 | 2008 | | R | | |
| | | B CR 125 | 125 | 2002 | | R | | |
| | | B CRE 125 2T /Six Comp | 125 | 2002 | | R | | |
| | | B CRF 150 RB | 150 | 2008 | | R | | |



CC FROM TO FRONT / REAR

| Code | Brand | Model | CC | FROM | TO | FRONT / REAR |
|---|---------|--|------|------|------|--------------|
| FDB2140 | SUZUKI | B CR 250 | 250 | 2002 | | R |
| | | B CRE 250 / CRE F250 X/R | 250 | 2002 | | R |
| | | B CRF 250 X / R | 250 | 2004 | | R |
| | | B CRF250R | 250 | 2014 | | R |
| | | B CRE F300 X | 300 | 2008 | | R |
| | | B CRE F450 R | 450 | 2011 | | R |
| | | B CRE F450 X/R | 450 | 2008 | | R |
| | | B CRF 450 R | 450 | 2002 | | R |
| | | B CRF 450 SUPERMOTARD | 450 | 2002 | | R |
| | | B CRM F 450 / R / X / RR (Magura 4 pistons) | 450 | 2008 | | R |
| B CRE F500 X | 500 | 2009 | | R | | |
| B RME 50 R | 50 | 2010 | | R | | |
| FDB2141 | KYMCO | B GRAND DINK 250 | 250 | 2001 | | R |
| FDB2142 | APRILIA | A 250 DVX | 250 | 2006 | 2008 | R |
| | | A 300 DVX | 300 | 2009 | 2010 | R |
| | | B GRAND DINK 250 | 250 | 2001 | | F |
| | | A KXR 250 MONGOOSE | 250 | 2004 | 2009 | R |
| | | A MXU 250 | 250 | 2004 | 2010 | R |
| | | A URBAN 250 | 250 | 2006 | 2007 | R |
| | | A MAXXER 300 | 300 | 2005 | | R |
| | | A Mongoose 300 | 300 | 2006 | 2010 | R |
| | | B GTS 125 i | 125 | 2010 | | F |
| | | B JOYMAX 250 | 250 | 2006 | 2007 | F |
| B Voyager 250 | 250 | 2005 | | F | | |
| FDB2142 | APRILIA | Sport City One 50 (2T) | 50 | 2008 | 2011 | F |
| | | Sport City One 50 (4T) | 50 | 2008 | 2009 | F |
| | | SR MOTARD 50 | 50 | 2012 | | F |
| | | B SPORTCITY ONE 125 | 125 | 2010 | | F |
| | | SR MAX 125 | 125 | 2011 | | F/R |
| | | SR MOTARD 125 | 125 | 2012 | | F |
| | | SR MAX 300 | 300 | 2011 | | F/R |
| | | B SRV 850 ABS ATC | 850 | 2013 | | R |
| | | B GP800 | 800 | 2010 | 2010 | R |
| | | B RUNNER 50 SP / SKP | 50 | 2006 | | F |
| | | B NEXUS 250 IE | 250 | 2007 | | F/R |
| | | K2 125/150/250 | 125 | 2007 | | F/R |
| | | B FLY 50 2T | 50 | 2005 | 2007 | F |
| | | B FLY 50 4T | 50 | 2008 | | F |
| | | Liberty 50 (2T / 10 Spoke Cast Wheels) | 50 | 2009 | 2012 | F |
| | | Liberty 50 (4T / 10 Spoke Cast Wheels) | 50 | 2009 | 2012 | F |
| | | Typhoon 50 (2T/12" Wheels) | 50 | 2010 | 2012 | F |
| | | VESPA PRIMAVERA 50 2T | 50 | 2014 | | F |
| | | VESPA PRIMAVERA 50 4T 4V | 50 | 2014 | | F |
| | | Fly 100 (4T) | 100 | 2007 | 2012 | F |
| | | Beverley 125 | 125 | 2007 | | F |
| | | Beverley S 125 | 125 | 2007 | | F/R |
| | | Beverley Tourer 125 | 125 | 2008 | 2009 | F/R |
| | | Beverly 125 (Multi Spoke cast Type Wheels/ 4T) | 125 | 2011 | 2012 | F |
| | | B BEVERLY 125 (Heng Tong caliper) | 125 | 2001 | | F/R |
| | | B CORNABY 125 | 125 | 2008 | | F |
| | | B FLY 125 | 125 | 2004 | 2006 | F |
| | | B GTS 125 Super | 125 | 2010 | | F |
| | | B LIBERTY 125 / Elle | 125 | 2010 | | F |
| | | B SKIPPER ST 125 (Heng Tong caliper) | 125 | 2000 | | F |
| B SUPER HEXAGON 125 GTX | 125 | 2001 | | F | | |
| Typhoon 125 (4T/12" Wheels) | 125 | 2010 | 2012 | F | | |
| B VESPA GRANTURISMO 125 (Heng Tong caliper) | 125 | 2003 | | F | | |
| Vespa GTS 125 | 125 | 2007 | 2011 | F | | |
| Vespa GTS 125 Super | 125 | 2010 | 2012 | F | | |
| Vespa GTV 125 | 125 | 2007 | 2009 | F | | |
| VESPA PRIMAVERA 125 3V | 125 | 2014 | | F | | |
| X 10 - 125 i Left | 125 | 2012 | | F | | |
| X7 125cc | 125 | 2008 | 2009 | F | | |
| X7 Evo 125 ie (EFI) | 125 | 2009 | 2012 | F | | |
| B X8 125 | 125 | 2005 | | F | | |
| X8 125 ie | 125 | 2007 | | F | | |
| B X9 125 Evolution (left) | 125 | 2004 | | F | | |
| Xevo 125 | 125 | 2007 | 2012 | F | | |
| B FLY 150 | 150 | 2006 | 2008 | F | | |
| B SKIPPER ST 150 (Heng Tong caliper) | 150 | 2000 | | F | | |
| B SUPER HEXAGON 150 GTX | 150 | 2001 | | F | | |
| VESPA PRIMAVERA 150 3V | 150 | 2014 | | F | | |
| B SUPER HEXAGON 180 GTX | 180 | 2001 | 2003 | F | | |
| B BEVERLY 200 | 200 | 2001 | | F/R | | |
| Camaby 200 | 200 | 2007 | 2009 | F/R | | |
| B VESPA GRANTURISMO 200 (Heng Tong caliper) | 200 | 2003 | | F | | |
| B X8 200 | 200 | 2004 | | F | | |
| Beverley Cruiser 250 ie | 250 | 2007 | 2008 | F/R | | |

B = Bike
A = ATV
S = Snowmobile

B = Bike
A = ATV
S = Snowmobile



CC FROM TO FRONT / REAR

| CC | FROM | TO | FRONT / REAR |
|----------------|---|---|-------------------|
| ...FDB2142 | Beverley S 250 ie | 250 2007 | F/R |
| B | BEVERLY 250 (Heng Tong caliper) | 250 2006 2007 | F/R |
| B | BEVERLY Tourer 250i | 250 2008 | F/R |
| B | Carnaby 250 ie | 250 2008 2009 | F/R |
| B | VESPA GTS - GTV 250 ie | 250 2008 | F |
| B | X 10 - 250 i Left | 250 2012 | F |
| B | X-EVO 250 ie | 250 2008 | F |
| B | X8 250 | 250 2006 | F |
| B | X8 250 ie | 250 2007 | F |
| B | X9 250 Evolution (left) | 250 2004 2005 | F |
| B | X9 250 Evolution (left) | 250 2005 2005 | F |
| B | GTV Via Montenapoleone 280 | 280 2010 | F |
| B | BEVERLY Tourer 300 ie | 300 2010 | F/R |
| B | Carnaby 300 ie | 300 2012 | F/R |
| B | CARNABY CRUISER 300 ie | 300 2008 | F/R |
| B | VESPA GTS 300 / Super / Supersport | 300 2008 | F |
| B | X7 EVO 300 | 300 2010 | F |
| B | Beverley 400 ie | 400 2007 | R |
| B | MP3 400 ie | 400 2007 2008 | R |
| B | X-EVO 400 ie (left) | 400 2008 | F |
| B | X 10 - 500 i Left | 500 2012 | F |
| FDB2143 | HONDA | B CBR 125 R (6 Bolt Front Disc Fixing) | 125 2004 2010 R |
| B | CBR 150 R | 125 2000 2003 R | |
| B | XL 125 VARADERO | 125 2001 R | |
| YAMAHA | B | YZF-R15 | 150 2011 R |
| FDB2144 | KAWASAKI | B ZX 6R 600 NINJA (Racing Applications) | 600 1998 2001 F |
| B | ZX-7 750 R NINJA (Racing Applications) | 750 1996 1999 F | |
| B | ZX-9R 900 R NINJA (Racing Applications) | 900 1996 1997 F | |
| B | ZX-9R 900 R NINJA (Racing Applications) | 900 1998 1999 F | |
| B | ZX-9R 900 R NINJA (Racing Applications) | 900 2000 2001 F | |
| B | ZX 12 1200 R (Racing Applications) | 1200 2000 2003 F | |
| B | GSX-R 750 W (Racing Applications) | 750 1994 1999 F | |
| B | GSX R 1000 (Racing Applications) | 1000 2001 2002 F | |
| B | GSX-R 1100 W (Racing Applications) | 1100 1991 1996 F | |
| B | GSX-R 1300 HAYABUSA (Racing Applications) | 1300 1999 2007 F | |
| FDB2145 | BUELL | B XB9R | 984 2002 F |
| B | XB9S / Lightning City XB9SX | 984 2003 F | |
| B | ULYSSES XB12XT | 1200 2006 F | |
| B | XB12R Firebolt | 1200 2004 F | |
| B | XB12S Lightning | 1200 2004 2008 F | |
| B | XB12SCG Lightning Low | 1200 2006 2008 F | |
| B | XB12SS Lightning Long | 1200 2006 2008 F | |
| FDB2146 | APRILIA | B ATLANTIC (ARECIFE) 500 (right) | 500 2001 F |
| FDB2147 | ITALJET | B JUPITER 125 / 150 / 250 | 125 2002 2003 R |
| B | JUPITER 250 | 250 2002 R | |
| RIEJU | B | NKD 50 | 50 2007 F |
| B | RS2 50 | 50 2009 F | |
| B | RS2 MATRIX 50 (AJP) | 50 2002 2008 F | |
| B | NKD 125 | 125 2006 2007 F | |
| B | RS2 125 (AJP) | 125 2006 2008 F | |
| FDB2148 | BENELLI | B Caffe Nero 250 Left | 250 2008 2011 R |
| BOMBARDIER ATV | A | OUTLANDER 330 HO (left) | 330 2004 2005 F/R |
| A | Outlander 400 (STD/MAX HO) Left | 400 2003 2006 F/R | |
| A | QUEST 500 (2x4/4x4) (left) | 500 2002 2004 F | |
| A | TRAXTER 500 (4x4/XL/Autoshift) (left) | 500 2001 2005 F | |
| A | DS 650 (BAJA/X) (left) | 650 2000 2006 F/R | |
| A | Outlander 650 HO Efi (4x4/XT/Max) (Left) | 650 2006 F/R | |
| A | Quest 650 (2x4/4x4/XT/Max) (Left) | 650 2002 2005 F | |
| A | TRAXTER 650 (Max/XT-4x4/Footshift) (Left) | 650 2001 2005 F | |
| A | Outlander 800 (All models) (Left) | 800 2006 F/R | |
| A | TRAXTER 1000 XL (Left) | 1000 2004 F | |
| A | Rally 200 | 200 2007 R | |
| CAN AM ATV | A | Outlander 400 (STD/XT/EFI 4x4) (Left) | 400 2007 2010 F/R |
| A | Outlander Max 400 (STD/XT 4x4) (Left) | 400 2007 2010 F/R | |
| A | Outlander 500 (STD/XT 4x4) (Left) | 500 2007 2010 F/R | |
| A | Outlander Max 500 (STD/XT 4x4) (Left) | 500 2007 2010 F/R | |
| A | Renegade 500 (4x4/EFI) (Left) | 500 2008 2010 F/R | |
| A | DS 650 X (Left) | 650 2007 F/R | |
| A | Outlander 650 (STD/XT 4x4) (Left) | 650 2007 2010 F/R | |
| A | Outlander Max 650 (STD/XT 4x4) (Left) | 650 2007 2010 F/R | |
| A | Outlander 800 (STD/XT 4x4) (Left) | 800 2007 2008 F/R | |
| A | Outlander 800 R (EFI/XT) (Left) | 800 2009 2010 F/R | |
| A | Outlander Max 800 (Ltd/STD/XT 4x4) (Left) | 800 2007 2008 F/R | |
| A | Outlander Max 800 R (EFI/XT) (Left) | 800 2009 2010 F/R | |
| A | Renegade 800 (4x4/EFI) (STD/X) (Left) | 800 2007 2008 F/R | |
| A | Renegade 800 R (EFI/X) (Left) | 800 2009 2010 F/R | |
| CANNONDALE ATV | A | CANNIBAL 400 BLACK / SILVER (left) | 400 2002 2003 F/R |
| A | FX 400 (right) | 400 2001 F/R | |



CC FROM TO FRONT / REAR

| CC | FROM | TO | FRONT / REAR | |
|----------------|--|---|--------------------------|-----------------|
| A | BLAZE 440 (left) | 440 2002 2003 | F/R | |
| A | GLAMIS 440 (left) | 440 2003 | F/R | |
| A | MOTO 440 (left) | 440 2002 2003 | F/R | |
| A | SPEED 440 (left) | 440 2002 2003 | F/R | |
| JOHN DEERE ATV | A | Buck 500 EX (Left) | 500 2004 2008 F | |
| A | Trail Buck 500 EX (Left) | 500 2004 2005 F | | |
| A | Buck 650 EXT (Left) | 650 2004 2008 F | | |
| A | Trail Buck 650 EXT (Left) | 650 2004 2005 F | | |
| KAWASAKI ATV | A | KFX 450 R | 450 2008 F | |
| SUZUKI | B | SIXTEEN 125 UH | 125 2008 R | |
| B | UH 125 BURGMAN | 125 2007 2013 R | | |
| B | UH 125 BURGMAN | 125 2007 R | | |
| B | UH 125 BURGMAN ABS | 125 2014 R | | |
| B | SIXTEEN 150 UH | 150 2008 R | | |
| B | UH 200 BURGMAN | 200 2007 2013 R | | |
| B | UH 200 BURGMAN ABS | 200 2014 R | | |
| SUZUKI ATV | A | LT-A/F 400 KING QUAD (Left) - All Models | 400 2008 2009 F | |
| A | LT-F 400 K8 Manual 2WD (Left) | 400 2008 F | | |
| A | LT-A 450 KING QUAD (left) | 450 2007 2009 F | | |
| A | LT-R 450 Z Quad Racer (left) | 450 2008 F | | |
| A | LT-A 500 KING QUAD 4x4 (left) | 500 2009 F | | |
| A | LT-A 700 KING QUAD (left) | 700 2005 2007 F | | |
| A | TWIN PEAKS 700 (left) | 700 2004 2005 F | | |
| A | LT-A 750 KING QUAD (left) | 750 2008 F | | |
| YAMAHA ATV | A | YFM 400 4x4 Grizzly | 400 2007 2008 R | |
| A | YFM 400 FW KODIAK (All Models except AUTO) | 400 2000 2006 R | | |
| A | YFM 450 Grizzly (All models) | 450 2007 2010 R | | |
| A | YFM 450 KODIAK | 450 2003 2006 R | | |
| A | YFM 450 WOLVERINE (All models) | 450 2006 2010 R | | |
| FDB2149 | BOMBARDIER ATV | A | OUTLANDER 330 HO (right) | 330 2004 2005 F |
| A | Outlander 400 (STD/MAX HO) (Right) | 400 2003 2006 F | | |
| A | QUEST 500 (2x4/4x4) (left) | 500 2002 2004 R | | |
| A | QUEST 500 (2x4/4x4) (right) | 500 2002 2004 F | | |
| A | TRAXTER 500 (4x4/XL/Autoshift) (left) | 500 2001 2005 R | | |
| A | TRAXTER 500 (4x4/XL/Autoshift) (right) | 500 2001 2005 F | | |
| A | DS 650 (BAJA/X) (right) | 650 2000 2006 F | | |
| A | Outlander 650 HO Efi (4x4/XT/Max) (Right) | 650 2006 F | | |
| A | Quest 650 (2x4/4x4/XT/Max) (Left) | 650 2002 2005 R | | |
| A | Quest 650 (2x4/4x4/XT/Max) (Right) | 650 2002 2005 F | | |
| A | TRAXTER 650 (Max/XT-4x4/Footshift) (Left) | 650 2001 2005 R | | |
| A | TRAXTER 650 (Max/XT-4x4/Footshift) (Right) | 650 2001 2005 F | | |
| A | Outlander 800 (All models) (Right) | 800 2006 F | | |
| A | TRAXTER 1000 XL (Left) | 1000 2004 R | | |
| A | TRAXTER 1000 XL (Right) | 1000 2004 F | | |
| CAN AM ATV | A | Outlander 400 (STD/XT/EFI 4x4) (Right) | 400 2007 2010 F | |
| A | Outlander Max 400 (STD/XT 4x4) (Right) | 400 2007 2010 F | | |
| A | Outlander 500 (STD/XT 4x4) (Right) | 500 2007 2010 F | | |
| A | Outlander Max 500 (STD/XT 4x4) (Right) | 500 2007 2010 F | | |
| A | Renegade 500 (4x4/EFI) (Right) | 500 2008 2010 F | | |
| A | DS 650 X (Right) | 650 2007 F | | |
| A | Outlander 650 (STD/XT 4x4) (Right) | 650 2007 2010 F | | |
| A | Outlander Max 650 (STD/XT 4x4) (Right) | 650 2007 2010 F | | |
| A | Outlander 800 (STD/XT 4x4) (Right) | 800 2007 2008 F | | |
| A | Outlander 800 R (EFI/XT) (Right) | 800 2009 2010 F | | |
| A | Outlander Max 800 (Ltd/STD/XT 4x4) (Right) | 800 2007 2008 F | | |
| A | Outlander Max 800 R (EFI/XT) (Right) | 800 2009 2010 F | | |
| A | Renegade 800 (4x4/EFI) (STD/X) (Right) | 800 2007 2008 F | | |
| A | Renegade 800 R (EFI/X) (Right) | 800 2009 2010 F | | |
| CANNONDALE ATV | A | CANNIBAL 400 BLACK / SILVER (right) | 400 2002 2003 F | |
| A | FX 400 (left) | 400 2001 F | | |
| A | BLAZE 440 (right) | 440 2002 2003 F | | |
| A | GLAMIS 440 (right) | 440 2003 F | | |
| A | MOTO 440 (right) | 440 2002 2003 F | | |
| A | SPEED 440 (right) | 440 2002 2003 F | | |
| JOHN DEERE ATV | A | Buck 500 EX (Left) | 500 2004 2008 R | |
| A | Buck 500 EX (Right) | 500 2004 2008 F | | |
| A | Trail Buck 500 EX (Left) | 500 2004 2005 R | | |
| A | Trail Buck 500 EX (Right) | 500 2004 2005 F | | |
| A | Buck 650 EXT (Left) | 650 2004 2008 R | | |
| A | Buck 650 EXT (Right) | 650 2004 2008 F | | |
| A | Trail Buck 650 EXT (Left) | 650 2004 2005 R | | |
| A | Trail Buck 650 EXT (Right) | 650 2004 2005 F | | |
| KAWASAKI ATV | A | KFX 450 R | 450 2008 F | |
| SUZUKI ATV | A | LT-A/F 400 KING QUAD (Right) - All Models | 400 2008 2009 F | |
| A | LT-F 400 K8 Manual 2WD (Right) | 400 2008 F | | |
| A | LT-A 450 KING QUAD (right) | 450 2007 2009 F | | |
| A | LT-R 450 Z Quad Racer (right) | 450 2008 F | | |
| A | LT-A 500 FK2 VINSON 4x4 | 500 2001 2007 R | | |



CC FROM TO FRONT / REAR

| Code | Brand | Model | CC | FROM | TO | FRONT / REAR | |
|---------------------------|-----------------------|--|--|------|------|--------------|---|
| ...FDB2149 | YAMAHA ATV | A LT-A 500 KING QUAD 4x4 (right) | 500 | 2009 | | F | |
| | | A LT-A 700 KING QUAD (right) | 700 | 2005 | 2007 | F | |
| | | A TWIN PEAKS 700 (right) | 700 | 2004 | 2005 | F | |
| | | A LT-A 750 KING QUAD (right) | 750 | 2008 | | F | |
| | | A YXR 450 RHINO (left) - side by side | 450 | 2004 | 2009 | R | |
| | | A YXR 660 RHINO (left) - side by side | 660 | 2004 | 2007 | R | |
| FDB2150 | YAMAHA | B FZS 1000 FAZER | 1000 | 2001 | 2005 | R | |
| | | B XJR 1300 | 1300 | 2001 | 2012 | R | |
| FDB2153 | LIGIER PIAGGIO | B NOVA | 500 | 2001 | | F | |
| | | B M 500 Minicar | 500 | 2006 | 2008 | F | |
| | | B PK 500 Motocarro | 500 | 2006 | 2008 | F | |
| FDB2154 | GREKAV | B EIKE 505 | 50 | | | F | |
| FDB2156 | HYOSUNG YAMAHA | B GV 650 | 650 | 2004 | 2005 | R | |
| | | B GV 1000 | 1000 | 2004 | | R | |
| | | B TDM 900 | 900 | 2002 | | R | |
| | | B XV 950 ABS | 950 | 2014 | | R | |
| | | B XV 950 R | 950 | 2014 | | R | |
| | | B XVS 950 A Midnight Star | 950 | 2008 | | R | |
| | | B XT 1200 Z Superteneré ABS | 1200 | 2011 | | R | |
| | | B FJR 1300/FJR 1300 A | 1300 | 2003 | 2005 | R | |
| | | B FJR 1300A/FJR 1300AS | 1300 | 2006 | | R | |
| | | B XVS 1300 A Midnight Star /CFD | 1300 | 2008 | | R | |
| | | B XVS 1300 A Midnight Star Custom | 1300 | 2014 | | R | |
| | | B V-MAX | 1680 | 2008 | | R | |
| | | B XV 1700 ROYAL STAR WARRIOR | 1700 | 2002 | | R | |
| | | B XV 1900 A MIDNIGHT STAR | 1900 | 2006 | 2012 | R | |
| | | B XVS1900A Midnight Star / CFD | 1900 | 2013 | | R | |
| FDB2157 | HUSQVARNA KTM | B CR 65 | 65 | 2010 | 2012 | F | |
| | | B SX 65 | 65 | 2002 | 2003 | F | |
| | | B SX 65 | 65 | 2004 | 2009 | F | |
| | | B SX 65 | 65 | 2010 | | F/R | |
| | | B SX 85 | 85 | 2003 | 2010 | F/R | |
| | | B SX 85 (17"/14") | 85 | 2011 | | F | |
| FDB2158 | KAWASAKI | B Z800 (ADS) | 800 | 2013 | | F | |
| | | B Z800 ABS (BDS) | 800 | 2013 | | F | |
| | | B Z800 E ABS (DDS) | 800 | 2013 | | F | |
| | | B ZX-9R 900 R NINJA F1-F2 | 900 | 2002 | 2004 | F | |
| | | B Z 1000 (ZR 1000 A1) | 1000 | 2003 | 2006 | F | |
| | SUZUKI | B GSX 1300 B-KING / Hyaku | 1300 | 2007 | | F | |
| | | B B-KING | 1340 | 2010 | | F | |
| | | TRIUMPH | B DAYTONA 675 / Special Edition / Triple | 675 | 2006 | 2008 | F |
| | B STREET TRIPLE 675 R | | 675 | 2009 | 2012 | F | |
| | B STREET TRIPLE 675 R | | 675 | 2013 | | F | |
| | B SPEED TRIPLE 1050 | | 1050 | 2004 | 2007 | F | |
| | B TIGER SE ABS 1050 | | 1050 | 2008 | | F | |
| | B TIGER SPORT | | 1050 | 2013 | | F | |
| | | | | | | | |
| | FDB2162 | APRILIA | B RXV 450 / Rally / Merriman Replica | 450 | 2005 | | R |
| B SX 450 | | | 450 | 2008 | | R | |
| B SXV 450 | | | 450 | 2005 | 2007 | R | |
| B SXV VDB 450/550 Replica | | | 450 | 2007 | | R | |
| B RXV 550 | | | 550 | 2005 | | R | |
| B SX 550 | | | 550 | 2008 | | R | |
| B SXV 550 | | | 550 | 2005 | | R | |
| BETA | | | B RR 50 Enduro | 50 | 2008 | 2012 | R |
| | | | B RR 50 Enduro Factory | 50 | 2012 | | R |
| | | | B RR 50 Enduro Racing | 50 | 2009 | 2011 | R |
| | | | B RR 50 Enduro Standard | 50 | 2009 | 2012 | R |
| | | | B RR 50 Motard Skull | 50 | 2011 | | R |
| | | | B RR 50 Motard Standard | 50 | 2009 | 2012 | R |
| | | | B RR Motard 50 Track (Cast Wheels) | 50 | 2008 | 2012 | R |
| | | | B RE 125 4T Enduro | 125 | 2009 | 2010 | R |
| | | B RE 125 4T Enduro | 125 | 2010 | 2012 | R | |
| | | B RR 125 4T Enduro (A/C) | 125 | 2009 | 2011 | R | |
| | | B RR 125 4T Enduro (L/C) | 125 | 2011 | | R | |
| | | B RR 125 4T Motard (A/C - Spoke Wheel) | 125 | 2008 | 2012 | R | |
| | | B RR 125 4T Motard (L/C - Cast Wheel) | 125 | 2011 | 2012 | R | |
| | | B Urban 125 Special | 125 | 2009 | 2012 | R | |
| | | B Urban 200 Special | 200 | 2009 | 2012 | R | |
| B RR 250 4T Enduro | | 250 | 2005 | 2007 | R | | |
| B RR 350 4T Enduro | | 350 | 2011 | | R | | |
| B RR 350 4T Enduro | | 350 | 2012 | | R | | |
| B RR 400 4T Enduro | | 400 | 2005 | | R | | |
| B RR 450 4T Cross Country | | 450 | 2012 | | R | | |
| B RR 450 4T Enduro | | 450 | 2005 | 2013 | R | | |
| B RR 498 4T Enduro | | 500 | 2012 | | R | | |
| B RR 520 4T Enduro | | 520 | 2010 | 2011 | R | | |
| B RR Enduro 525 4T | | 525 | 2005 | 2009 | R | | |
| HONDA | | B CRE 50 SIX Comp. | 50 | 2007 | 2012 | R | |



CC FROM TO FRONT / REAR

| Code | Brand | Model | CC | FROM | TO | FRONT / REAR | |
|------------------------------|---------------------------|------------------------------------|-----------------------------------|------|------|--------------|---|
| | KAWASAKI | B CRE 50 Six Racing | 50 | 2011 | | R | |
| | | B CRM 50 Derapage Comp. | 50 | 2007 | 2012 | R | |
| | | B CRE 125 4T Six Racing | 125 | 2011 | | R | |
| | | B CRE 125 SIX Comp. | 125 | 2010 | 2011 | R | |
| | | B CRM 125 2T Derapage Comp. | 125 | 2011 | 2012 | R | |
| | | B CRM 125 4T Derapage Comp. | 125 | 2011 | 2012 | R | |
| | | B KLX 250 | 250 | 2008 | | R | |
| | | B KX 250 F | 250 | 2004 | | R | |
| | | B KLX 450 R | 450 | 2007 | | R | |
| | | B KX 450 F | 450 | 2006 | | R | |
| | | SHERCO | B Enduro 2.5i (4T) Inc. SE Models | 250 | 2008 | 2011 | R |
| | | | B SM 2.5i Supermotard (4T) | 250 | 2008 | | R |
| | | | B SX 2.5i F Moto Cross | 250 | 2010 | | R |
| | | | B Enduro SE 3.0i (4T) | 300 | 2010 | 2011 | R |
| | | | B Enduro 4.5i (4T) Inc SE Models | 450 | 2004 | 2011 | R |
| B SM 4.5i F (Black Panther) | 450 | | 2008 | 2010 | R | | |
| B SM 4.5i F (Supermotard) | 450 | | 2004 | 2010 | R | | |
| B Enduro 5.1iF Inc SE Models | 510 | | 2007 | 2011 | R | | |
| B SM 5.1i F Black Panther | 510 | | 2008 | 2010 | R | | |
| B SM 5.1i F Supermotard | 510 | | 2007 | | R | | |
| SUZUKI | B DR 125 SM | | 125 | 2008 | | R | |
| | B RM 125 | | 125 | 2009 | | R | |
| | B RM 125 E | | 125 | 2009 | | R | |
| | B SM 125 | | 125 | 2010 | | R | |
| | B RM 250 | | 250 | 2009 | | R | |
| | B RM-Z 250 | 250 | 2004 | 2008 | R | | |
| | B RM-Z 250 / E | 250 | 2009 | | R | | |
| | B RM-Z 450 | 450 | 2005 | 2007 | R | | |
| | B RM-Z 450 / E | 450 | 2008 | | R | | |
| | B RMX 450 E | 450 | 2009 | | R | | |
| | B SM 450X | 450 | 2009 | | R | | |
| | TM | B 80/85/100 Junior | | 2005 | 2007 | R | |
| | | B MX 85 (Big Wheel) | 85 | 2005 | 2012 | R | |
| | | B MX 85 JR (Small Wheel) | 85 | 2005 | 2012 | R | |
| | | B Enduro EN 125 (2T) - USA VERSION | 125 | 2005 | 2008 | R | |
| B SMR 125 (2T) | | 125 | 2005 | 2011 | R | | |
| B EN 144 (2T) | | 144 | 2008 | 2012 | R | | |
| B MX 144 (2T) | | 144 | 2008 | 2012 | R | | |
| B Enduro EN 250 (2T) | | 250 | 2005 | 2008 | R | | |
| B Enduro EN 250 Fi | | 250 | 2010 | 2011 | R | | |
| B MX 250 (2T) | | 250 | 2005 | 2012 | R | | |
| B MX 250 (4T) Cross | | 250 | 2005 | 2012 | R | | |
| B MX 250 Fi (4T) | | 250 | 2010 | 2012 | R | | |
| B SMM 250 F (4T) | | 250 | 2010 | 2011 | R | | |
| B SMR 250 (2T) | | 250 | 2005 | 2011 | R | | |
| B SMR 250 F (4T) | | 250 | 2010 | 2011 | R | | |
| YAMAHA | B Enduro EN 300 (2T) | 300 | 2005 | 2012 | R | | |
| | B MX 300 (2T) | 300 | 2005 | 2012 | R | | |
| | B SMR 300 (2T) | 300 | 2005 | 2011 | R | | |
| | B EN 450 F (4T) | 450 | 2005 | 2012 | R | | |
| | B MX 450 F (4T) | 450 | 2005 | 2012 | R | | |
| | B SMR 450 F (4T) | 450 | 2010 | 2011 | R | | |
| | B SMR 450 FES | 450 | 2005 | 2009 | R | | |
| | B SMX 450 F | 450 | 2005 | 2011 | R | | |
| | B EN 530 F (4T) | 530 | 2005 | 2012 | R | | |
| | B MX 530 F | 530 | 2005 | 2011 | R | | |
| | B SMR 530 F | 530 | 2010 | 2011 | R | | |
| | B SMR 530 F ES | 530 | 2005 | 2009 | R | | |
| | B SMX 530 F | 530 | 2005 | 2011 | R | | |
| | B SMX 660 F | 660 | 2005 | 2010 | R | | |
| | B YZ 125 | 125 | 2003 | 2007 | R | | |
| | B YZ 125 | 125 | 2008 | | R | | |
| | B WR 250 F / FN / FT / FV | 250 | 2003 | 2006 | R | | |
| | B WR 250 F / RX | 250 | 2008 | | R | | |
| | B WR 250 FW | 250 | 2007 | | R | | |
| | B WR 250 XX (Supermotard) | 250 | 2008 | | R | | |
| | B YZ / WR 250 | 250 | 2003 | 2007 | R | | |
| | B YZ / WR 250 | 250 | 2008 | | R | | |
| | B YZ 250 F | 250 | 2007 | | R | | |
| | B WR 450 F | 450 | 2003 | | R | | |
| | B YZ 450 F | 450 | 2003 | 2007 | R | | |
| | B YZ 450 F | 450 | 2008 | | R | | |
| | FDB2163 | SUZUKI | B INTRUDER C1500 (left) | 1500 | 2005 | 2009 | R |
| | | | B VL 1500 K2 (left) | 1500 | 2002 | 2003 | R |
| | FDB2164 | KAWASAKI | B ZX 6RR (ZX 599 B1) | 599 | 2003 | 2006 | F |
| | | | B ZX 6R (ZX 636 K1) | 636 | 2003 | 2006 | F |
| | | | B ZX-10R 1000 | 1000 | 2004 | 2007 | F |
| | | | B ZX-12R 1200 | 1200 | 2004 | | F |

B = Bike
A = ATV
S = Snowmobile

B = Bike
A = ATV
S = Snowmobile



CC FROM TO FRONT / REAR

| Code | Brand | Model | CC | FROM | TO | FRONT / REAR |
|------------|----------------|---|------|------|------|--------------|
| ...FDB2164 | SUZUKI | B GSX R 1000 K3 | 1000 | 2003 | | F |
| FDB2165 | BMW | B G450 X | 450 | 2008 | | R |
| | HUSQVARNA | B CR 125 | 125 | 2005 | 2012 | R |
| | | B ENDURO WR 125 | 125 | 2010 | | R |
| | | B WR 125 / WRE 125 | 125 | 2006 | | R |
| | | B CR 250 | 250 | 2005 | 2007 | R |
| | | B TC / TE 250 | 250 | 2006 | | R |
| | | B TC 250 R | 250 | 2013 | | R |
| | | B TE 250 R | 250 | 2012 | | R |
| | | B TE 310 | 310 | 2009 | | R |
| | | B TE 310 R | 310 | 2012 | | R |
| | | B TC / TE 449 | 449 | 2011 | | R |
| | | B ENDURO TE 450/510 | 450 | 2010 | | R |
| | | B SM 450 R /RR | 450 | 2007 | 2009 | R |
| | | B SM 450 RR | 450 | 2010 | | R |
| | | B TC / TE 450 | 450 | 2007 | 2010 | R |
| | | B SM 510 R | 510 | 2007 | | R |
| | | B TC / TE 510 | 510 | 2006 | | R |
| | | B SMR 511 | 511 | 2011 | | R |
| | | B TC 511 | 511 | 2011 | | R |
| | KTM | B 125 EXC | 125 | 2004 | | R |
| | | B 125 EXC Six Days | 125 | 2011 | | R |
| | | B 125 SX | 125 | 2004 | | R |
| | | B SX 125 | 125 | 2003 | | R |
| | | B 150 SX | 150 | 2008 | | R |
| | | B SX 200 | 200 | 2003 | | R |
| | | B 250 EXC-F | 250 | 2007 | | R |
| | | B 250 EXC-F Six Days | 250 | 2011 | | R |
| | | B 250 SX-F | 250 | 2003 | | R |
| | | B MX 250 | 250 | 2003 | | R |
| | | B 300 EXC | 300 | 2007 | | R |
| | | B 300 EXC Six Days | 300 | 2011 | | R |
| | | B MX 300 | 300 | 2004 | | R |
| | | B 350 EXC-F | 350 | 2012 | | R |
| | | B 350 EXC-F Six Days | 350 | 2012 | | R |
| | | B 350 SX-F | 350 | 2011 | | R |
| | | B 350 XC-F | 350 | 2011 | | R |
| | | B 350 XCF W | 350 | 2011 | | R |
| | | B ECX 400 | 400 | 2006 | | R |
| | | B 450 EXC | 450 | 2004 | | R |
| | | B 450 EXC Six Days | 450 | 2011 | | R |
| | | B 450 SMR | 450 | 2007 | | R |
| | | B 450 SX-F | 450 | 2007 | | R |
| | | B MX 450 | 450 | 2003 | | R |
| | | B SX 450 / F | 450 | 2003 | | R |
| | | B 500 EXC | 500 | 2012 | | R |
| | | B 500 EXC Six Days | 500 | 2012 | | R |
| | | B 500 XC-W | 500 | 2012 | | R |
| | | B SX / MX 525 | 525 | 2003 | | R |
| | | B 560 SMR | 560 | 2007 | | R |
| | RIEJU | B MARATHON 250 | 250 | 2010 | | R |
| | | B MARATHON 450 | 450 | 2010 | | R |
| | | B MARATHON 450 Motard | 450 | 2010 | | R |
| FDB2167 | HONDA | B CRE Baja RR HM 125 4T | 125 | 2011 | | F |
| FDB2169 | HERO | B Karizma ZMR 230 | 320 | 2011 | 2012 | F |
| | HONDA | B ANF 125 INNOVA | 125 | 2003 | 2011 | F |
| | | B CBF 125 M | 125 | 2009 | 2012 | F |
| | | B CBR 125 R (5 Bolt Front Disc Fitting) | 125 | 2011 | 2013 | F |
| | | B CBR 125 R (6 Bolt Front Disc Fixing) | 125 | 2004 | 2010 | F |
| | | B CBR 150 R | 125 | 2000 | 2003 | F |
| | | B FS 125 Sonic | 125 | 2003 | 2004 | R |
| | LIFAN | B Smart 50/125 | 125 | | | F |
| | RIEJU | B RS2 50 FR / PRO | 50 | 2008 | | F |
| | | B RS2 50 MATRIX / PRO 50 (JJUAN) | 50 | 2007 | 2008 | F |
| | | B RS2 50 PRO | 50 | 2009 | | F |
| | | B NKD 125 | 125 | 2008 | | F |
| | | B RS2 125 / PRO 125 (JJUAN) | 125 | 2007 | 2008 | F |
| FDB2173 | SUZUKI | B AN 400 BURGMAN ABS (right) | 400 | 2009 | | R |
| | | B AN 400 BURGMAN NO ABS (right) | 400 | 2007 | | R |
| | | B BURGMAN 650 ABS Executive | 650 | 2004 | 2013 | R |
| | | B BURGMAN 650 NO ABS | 650 | 2004 | 2013 | R |
| FDB2175 | ARCTIC CAT ATV | A 250 (2x4/4x4) | 250 | 1999 | 2004 | F/R |
| | | A 300 (2x4/4x4) | 300 | 1998 | 2004 | F/R |
| | | A 375 (Auto) | 375 | 2001 | | F/R |
| | | A 400 (2x4/4x4) | 400 | 1998 | 2004 | F/R |
| | | A 440 (4x4) | 440 | 2002 | 2003 | F/R |
| | | A BEAR CAT 450 (2x4/4x4) | 450 | 1996 | 1997 | F/R |
| | | A BEAR CAT 454 (2x4/4x4) | 454 | 1996 | 2000 | F/R |



CC FROM TO FRONT / REAR

| Code | Brand | Model | CC | FROM | TO | FRONT / REAR |
|---------|-----------------|---|------|------|------|--------------|
| | | A 500 (4x4,Manual,Auto) | 500 | 1998 | 2004 | F/R |
| | | A 650 H1 4 X 4 Auto LE Utility | 650 | 2007 | | F/R |
| | LAVERDA ATV | A QUASAR 400 4x4 | 400 | 2004 | | F/R |
| | | A QUASAR 500 4x4 | 500 | 2004 | | F |
| FDB2176 | POLARIS ATV | A MAGNUM (All models) | | 2002 | 2006 | R |
| | | A TRAIL BLAZER 250 | 250 | 2005 | 2006 | R |
| | | A XPEdition 325 | 325 | 2002 | | R |
| | | A Trail Blazer 330 | 330 | 2008 | 2010 | R |
| | | A TRAIL BOSS 330 | 330 | 2005 | 2010 | R |
| | | A SPORTSMAN 400 | 400 | 2003 | 2005 | R |
| | | A Sportsman 450 | 450 | 2006 | | R |
| | | A SCRAMBLER 500 (All models) | 500 | 2005 | 2010 | R |
| | | A SPORTSMAN 500 HO/EFI/X2/EFI Quad H.O. | 500 | 2003 | 2010 | R |
| | | A SPORTSMAN 600 | 600 | 2003 | 2006 | R |
| | | A SPORTSMAN 700 | 700 | 2003 | 2007 | R |
| | | A SPORTSMAN 800 EFI/HO | 800 | 2005 | 2010 | R |
| FDB2177 | POLARIS ATV | A SPORTSMAN 500 6x6 | 500 | 2000 | 2008 | R |
| FDB2178 | HYOSUNG | B COMET GT 650 / R | 650 | 2010 | | F |
| | | B AQUILA GV 700 | 700 | 2010 | | F |
| | KAWASAKI | B Z 1000 / ABS / SX | 1000 | 2010 | | F |
| | | B Z1000 | 1000 | 2014 | | F |
| | | B ZX-10R 1000 | 1000 | 2008 | 2010 | F |
| | | B ZX-10R 1000 | 1000 | 2011 | | F |
| | SUZUKI | B GSX-R 600 | 600 | 2004 | 2005 | F |
| | | B GSX-R 600 | 600 | 2006 | 2010 | F |
| | | B GSX-R 750 | 750 | 2004 | 2005 | F |
| | | B GSX-R 750 | 750 | 2006 | 2010 | F |
| | | B GSX-R 1000 | 1000 | 2007 | 2008 | F |
| | | B GSX-R 1000 | 1000 | 2009 | 2011 | F |
| | | B GSX-R 1000 Alstare 25 Ann. | 1000 | 2010 | | F |
| | | B GSX-R 1000 Yoshimura 2008 | 1000 | 2010 | | F |
| | | B V-STROM 1000 | 1000 | 2013 | | F |
| | | B V-STROM 1000 ABS | 1000 | 2014 | | F |
| | | B GSX-R 1300 | 1300 | 2008 | | F |
| | | B GSX-R 1300 HAYABUSA | 1300 | 2008 | | F |
| | | B GSX-R 1300 HAYABUSA | 1300 | 2008 | | F |
| | | B M 1800 R-R2-RZ INTRUDER (VRZ) | 1800 | 2006 | | F |
| | | B M 1800 RB INTRUDER (VZR) | 1800 | 2014 | | F |
| FDB2179 | HARLEY DAVIDSON | B XL 833 N Iron 883 | 883 | 2012 | | F |
| | | B XL 883 | 883 | 2004 | 2008 | F |
| | | B XL 883 C CUSTOM | 883 | 2004 | 2008 | F |
| | | B XL 883 L Sportster LOW / SuperLOW | 883 | 2005 | | F |
| | | B XL 883 N Iron | 883 | 2010 | | F |
| | | B XL 883 R ROADSTER | 883 | 2005 | 2007 | F |
| | | B XL 1200 C Sportster CUSTOM | 1200 | 2004 | | F |
| | | B XL 1200 L LOW | 1200 | 2006 | 2008 | F |
| | | B XL 1200 N Sportster NIGHTSTER | 1200 | 2007 | | F |
| | | B XL 1200 R ROADSTER | 1200 | 2004 | 2008 | F |
| | | B XL 1200 X Forty Eight | 1200 | 2010 | | F |
| FDB2180 | HARLEY DAVIDSON | B XL 833 N Iron 883 | 883 | 2012 | | R |
| | | B XL 883 | 883 | 2004 | 2008 | R |
| | | B XL 883 C CUSTOM | 883 | 2004 | 2008 | R |
| | | B XL 883 L Sportster LOW / SuperLOW | 883 | 2005 | | R |
| | | B XL 883 N Iron | 883 | 2010 | | R |
| | | B XL 883 R ROADSTER | 883 | 2005 | 2007 | R |
| | | B XL 1200 C Sportster CUSTOM | 1200 | 2004 | | R |
| | | B XL 1200 L LOW | 1200 | 2006 | 2008 | R |
| | | B XL 1200 N Sportster NIGHTSTER | 1200 | 2007 | | R |
| | | B XL 1200 R ROADSTER | 1200 | 2004 | 2008 | R |
| | | B XL 1200 X Forty Eight | 1200 | 2010 | | R |
| | | B XR 1200 | 1200 | 2008 | 2010 | R |
| | | B XR 1200 X | 1200 | 2010 | | R |
| FDB2181 | HONDA | B CBR 600 RR | 600 | 2005 | 2006 | F |
| | | B CBR 600 RR / Lim. Ed. / Fireblade Repsol | 600 | 2007 | | F |
| | | B VFR800F | 800 | 2014 | | F |
| | | B CB 1000 R (No ABS) | 1000 | 2009 | | F |
| | | B CBR 1000 FIREBLADE | 1000 | 2004 | 2005 | F |
| | | B CBR 1000 FIREBLADE RR / Hansspree Ed. | 1000 | 2006 | | F |
| | | B CBR 1000RR Fireblade | 1000 | 2014 | | F |
| FDB2182 | HONDA ATV | A TRX 420 FA/FPA P.S.Fourtrax Rancher | 420 | 2009 | 2010 | R |
| | | A TRX 450 R/ER | 450 | 2004 | 2009 | R |
| | | A TRX 650 FA Rincon / FGA Fourtrax Rincon Gpscape | 650 | 2003 | 2005 | R |
| | | A TRX 680 Fourtrax Rincon | 680 | 2006 | 2010 | R |
| | | A TRX 680 Fourtrax Rincon Gpscape | 680 | 2006 | 2009 | R |
| FDB2183 | HUSQVARNA | B CR 50 | 50 | 2010 | 2012 | F/R |
| | | B CR 50 Senior Pro | 50 | 2005 | | R |
| | | B SM 50 | 50 | 2010 | 2012 | F/R |
| | KTM | B 50 SX ADVENTURE SENIOR | 50 | 2004 | | F |



CC FROM TO FRONT / REAR

| Code | Model | CC | FROM | TO | FRONT / REAR | |
|--|---|------------------------|------|------|--------------|-----|
| ...FDB2183 | B 50 SX PRO SENIOR LC | 50 | 2004 | | F/R | |
| | B SX 50 PRO JUNIOR / SENIOR LC | 50 | 2002 | 2003 | F | |
| | B SX 50 PRO JUNIOR / SENIOR LC | 50 | 2002 | 2003 | F | |
| | B SX 65 | 65 | 2004 | 2009 | R | |
| | LEM B R2 / R3 | 50 | 2003 | | F/R | |
| FDB2184 | ARCTIC CAT ATV A 250 DVX | 250 | 2006 | 2008 | F | |
| | A 250 Utility 2 x 4 | 250 | 2006 | 2009 | F/R | |
| BOMBARDIER ATV | A 300 DVX | 300 | 2009 | 2010 | F | |
| | A DS 250 | 250 | 2006 | 2007 | F/R | |
| | CAN AM ATV A DS 250 | 250 | 2007 | 2009 | F/R | |
| | CPI ATV A 250 XS | 250 | 2006 | | F | |
| | KYMCO ATV | A KXR 250 MONGOOSE | 250 | 2004 | 2009 | F |
| | | A MXU 250 | 250 | 2004 | 2010 | F |
| | | A URBAN 250 | 250 | 2006 | 2007 | F |
| | | A MAXXER 300 | 300 | 2005 | | F |
| | | A Mongoose 300 | 300 | 2006 | 2010 | F |
| | | A MXU 300 | 300 | 2005 | 2009 | F/R |
| A MXU 400 | | 400 | 2008 | | F/R | |
| A MXU 500 4x4 (All models) | | 500 | 2006 | 2010 | F/R | |
| A UXV 500 4x4 (All models) - side by side | | 500 | 2008 | 2010 | F/R | |
| PGO ATV | | A 500 Bug | 500 | 2008 | 2009 | R |
| | A BR 500i Racer | 500 | 2007 | 2009 | R | |
| | A BR 600i Racer | 600 | 2012 | | R | |
| | A RS 7 4WD | 700 | 2010 | 2011 | F | |
| | A X7 R | 700 | 2010 | 2011 | F | |
| QUADZILLA | A RS 8 | 800 | 2010 | 2011 | F | |
| | A SB 125 N - Wolf (Carb Model) | 125 | 2011 | 2012 | R | |
| | B SB 125 Ni - Wolf (EFi Model) | 125 | 2011 | 2012 | R | |
| SYM | Citymax 300 Quad | 300 | 2006 | | F | |
| | SYM ATV | A Trackrunner 200 Quad | 200 | 2005 | 2009 | F |
| | | A Quadlander 250 | 250 | 2005 | 2009 | F |
| | | A Outlander 300 | 300 | 2008 | 2010 | F/R |
| | | A Outlander 300 S | 300 | 2007 | 2008 | F/R |
| | | A Quadlander 300 | 300 | 2007 | 2010 | F/R |
| | | A Quadlander 600 | 600 | 2008 | 2010 | R |
| | | A Quadraider 600 | 600 | 2006 | 2007 | R |
| | | A Quadraider 600 | 600 | 2008 | 2009 | F/R |
| | | A Quadraider 600LE | 600 | 2010 | | F/R |
| A Outback 425 C 4x4 | | 425 | 2007 | 2009 | F/R | |
| TGB ATV | A Outback 425 Real Tree Camo Edition 4x4 Auto | 425 | 2007 | 2009 | F/R | |
| | A Outback 425 SE 4x4 Auto | 425 | 2007 | 2009 | F/R | |
| | YAMAHA B YZ-R 125 | 125 | 2008 | | R | |
| YAMAHA B YZF-R 125 | 125 | 2008 | | R | | |
| FDB2185 | BETA B M4 Supermotard | 350 | 2006 | 2012 | F | |
| | B M4 Supermotard 350 | 350 | 2004 | 2006 | F | |
| FDB2186 | GILERA B NEXUS 300 | 300 | 2009 | | F/R | |
| | PIAGGIO | B FUOCO 500 | 500 | 2009 | | R |
| | | 125 ie MP3 Yourban | 125 | 2011 | 2012 | R |
| Beverly 125 (Multi Spoke cast Type Wheels/ 4T) | | 125 | 2011 | 2012 | R | |
| B CORNABY 125 | | 125 | 2008 | | R | |
| B MP3 Hybrid 125 | | 125 | 2010 | | R | |
| X 10 - 125 i Right | | 125 | 2012 | | F | |
| X7 125cc | | 125 | 2008 | 2009 | R | |
| X7 Evo 125 ie (EFi) | | 125 | 2009 | 2012 | R | |
| B X9 125 Evolution (right) | | 125 | 2004 | | F | |
| Xevo 125 | | 125 | 2007 | 2012 | R | |
| X 10 - 250 i Right | 250 | 2012 | | F | | |
| B X-EVO 250 ie | 250 | 2008 | | R | | |
| B X7 250 | 250 | 2008 | | F/R | | |
| B X9 250 Evolution (right) | 250 | 2004 | 2005 | F | | |
| B X9 250 Evolution (right) | 250 | 2005 | 2005 | F | | |
| 300 ie MP3 Yourban | 300 | 2011 | 2012 | R | | |
| 300 ie MP3 Yourban LT | 300 | 2011 | 2012 | R | | |
| MP3 Hybrid 300 ie | 300 | 2011 | 2012 | R | | |
| MP3 Hybrid LT 300 ie | 300 | 2011 | 2012 | R | | |
| B MP3 LT 300 ie | 300 | 2010 | | R | | |
| MP3 Touring 300 ie | 300 | 2011 | 2012 | R | | |
| MP3 Touring LT 300 ie | 300 | 2011 | 2012 | R | | |
| B X7 EVO 300 | 300 | 2010 | | R | | |
| B X-EVO 400 ie (right) | 400 | 2008 | | F/R | | |
| B MP3 500 | 500 | 2010 | | R | | |
| B MP3 Sport 500 | 500 | 2010 | | R | | |
| X 10 - 500 i Right | 500 | 2012 | | F | | |
| FDB2187 | KYMCO B PEOPLE 250 | 250 | 2004 | 2005 | R | |
| FDB2188 | KAWASAKI ATV A KVF 650 BRUTE FORCE (left) | 650 | 2005 | 2007 | F | |
| | A KVF 650 PRAIRIE (left) | 650 | 2002 | 2003 | F | |
| | A KFX 700 (left) | 700 | 2004 | 2009 | F | |
| FDB2189 | POLARIS SNOWMOBILE S ALL MODELS WITH PHANTOM BRAKES | | 2003 | | R | |



CC FROM TO FRONT / REAR

| Code | Model | CC | FROM | TO | FRONT / REAR |
|-------------------------------------|--|------|------|------|--------------|
| FDB2190 | ADIVA AD 125 | 125 | 2009 | 2011 | F |
| | AR 125 | 125 | 2010 | 2011 | F |
| CAGIVA | AD 200 | 200 | 2009 | 2011 | F |
| | AR 200 | 200 | 2010 | 2011 | F |
| | B CITY 50 | 50 | 1995 | | F |
| | B PASSING 50 | 50 | 1995 | | F |
| | B STELLA 50 | 50 | 1997 | | F/R |
| | B PASSING 125 | 125 | 1993 | 1997 | F |
| | B KRS 50 | 50 | 2002 | | F |
| | B FREELAND 125 | 125 | 2002 | | F |
| | B JOKER 125 | 125 | 2002 | | F |
| | B FREELAND 150 | 150 | 2002 | | F |
| GARELLI | B JOKER 150 | 150 | 2002 | | F |
| | KSR MOTO BY GENERIC Vendetta 50 (2T) | 50 | 2012 | | F |
| | LAMBRETTA LJ 50 | 50 | 2012 | | F |
| | LT 50 | 50 | 2012 | | F |
| | LN 125 | 125 | 2011 | 2012 | F |
| | LN 151 | 150 | 2011 | 2012 | F |
| | PEUGEOT Tweet 50 (4T/Rear Drum Model) | 50 | 2010 | 2012 | F |
| | Tweet 50 RS (4T/Rear Disc Model) | 50 | 2010 | 2012 | F |
| | LXR 125 (4T) | 125 | 2010 | 2012 | F |
| | Tweet 125 (4T/Rear Drum Model) | 125 | 2010 | 2012 | F |
| Tweet 125 RS (4T/Rear Disc Model) | 125 | 2010 | 2012 | F | |
| Tweet 150 (4T/Rear Drum Model) | 150 | 2010 | 2012 | F | |
| Tweet 150 RS (4T/Rear Disc Model) | 150 | 2010 | 2012 | F | |
| LXR 200i (4T) | 200 | 2010 | 2011 | F | |
| PGO | i-Dep Electric Scooter | | 2009 | | F/R |
| | Big Max 50 (Front wave disc) | 50 | 2007 | 2009 | F |
| | Big Max 50 Naked (Round disc/No Cover on handlebars) | 50 | 2007 | 2009 | F |
| | B BIG MAX 50 S | 50 | 2003 | 2004 | F |
| | G-Max 50 | 50 | 2005 | 2007 | F |
| | G-Max 50 (Wave disc) | 50 | 2008 | 2012 | F |
| | G-Max 50 Naked (Wave disc) | 50 | 2009 | | F |
| | Libra 50 (2T) | 50 | 2009 | | F |
| | Ligero 50 (2T) | 50 | 2008 | 2012 | F |
| | B PMX 50 | 50 | 2000 | 2004 | F |
| PEUGEOT | B T-REX 50 | 50 | 1999 | 2004 | F |
| | Bubu 100 | 100 | 2003 | 2008 | F |
| | My Bubu 100 | 100 | 2003 | 2005 | F |
| | B PMX 110 | 110 | 2000 | 2004 | F |
| | B T-REX 110 | 110 | 1999 | 2004 | F |
| | Bubu 125 | 125 | 2003 | 2008 | F |
| | B CHARGE 125 A / B | 125 | 2001 | 2002 | F |
| | B I-CHARGE 125 | 125 | 2003 | 2004 | F |
| | Libra 125 EFI (4T) | 125 | 2009 | 2012 | F |
| | Ligero 125 | 125 | 2006 | 2008 | F |
| Ligero 125 (4T) | 125 | 2008 | 2012 | F | |
| B MY BUBU 100 / 125 | 125 | 2003 | 2004 | F | |
| B T-REX 125 | 125 | 1999 | 2004 | F | |
| T/Rex 125 | 125 | 1999 | 2007 | F | |
| Tigra125 (4T/4V) | 125 | 2012 | | F | |
| B YOUNG BUBU 125 | 125 | 2003 | 2004 | F | |
| Libra 150 (4T) | 150 | 2009 | | F | |
| B T-REX 150 | 150 | 1999 | 2004 | F | |
| TR-3 150cc (3 wheeler) | 150 | 2003 | 2009 | F | |
| Allo 50 (4T) | 50 | 2011 | 2012 | F | |
| Fiddle II 50 | 50 | 2008 | 2012 | F | |
| Jet 4 (50cc- 4T) | 50 | 2010 | 2012 | F | |
| Jet 4 R (50cc- 2T) | 50 | 2011 | 2012 | F | |
| B JET 50 | 50 | 1999 | | F | |
| Jet Basix 50 | 50 | 2006 | 2009 | F | |
| Jet Euro X 50 | 50 | 2006 | 2012 | F | |
| Jet Sport X 50 SR | 50 | 2006 | 2012 | F | |
| B JUNGLE 50 | 50 | 1999 | 2002 | F | |
| B MASK 50 | 50 | 2000 | | F | |
| B RED DEVIL 50 | 50 | 1999 | | F | |
| B SUPER FANCY 50 (G5H-6/H325) | 50 | 1996 | 2002 | F | |
| Symphony 50 (4T/Rear drum model) | 50 | 2009 | | F | |
| Symphony 50 SR (4T/Rear disc model) | 50 | 2010 | 2012 | F | |
| Symphony S 50 (4T/Rear disc model) | 50 | 2010 | 2012 | F | |
| Symply 11 50 | 50 | 2009 | 2012 | F | |
| Symply 50 | 50 | 2007 | 2008 | F | |
| B JET 100 | 100 | 1999 | | F | |
| Allo 125 (4T) | 125 | 2011 | 2012 | F | |
| B ATTILA 125 | 125 | 1999 | 2000 | F | |
| City Com 125 | 125 | 2008 | 2010 | F | |
| Fiddle II 125 | 125 | 2008 | 2012 | F | |
| HD 125 S Evo | 125 | 2007 | | F | |

B = Bike
A = ATV
S = Snowmobile

B = Bike
A = ATV
S = Snowmobile



| | | | CC | FROM | TO | FRONT / REAR | | |
|------------|-------------------------------------|--|---|---|------|-----------------|------|---|
| ...FDB2190 | B | HD Evo 125 (Carb & EFI Models/4T/Single Headlight) | 125 | 2003 | | F | | |
| | | HD2- 125i (4T) | 125 | 2010 | | F | | |
| | | JET 4 (125cc- 4T) | 125 | 2010 | 2012 | F | | |
| | | MEGALO 125 | 125 | 2000 | | F | | |
| | | SUPER DUKE 125 / 150 | 125 | 1999 | 2000 | F | | |
| | | Symphony 125 (4T/Rear drum) | 125 | 2009 | | F | | |
| | | Symphony 125 SR (4T/Rear disc model) | 125 | 2010 | 2012 | F | | |
| | | Symphony S 125 (4T/Rear disc model) | 125 | 2010 | 2012 | F | | |
| | | Symply 11 125 | 125 | 2009 | 2012 | F | | |
| | | Symply 125 | 125 | 2007 | 2008 | F | | |
| | | SUPER DUKE 150 | 150 | 1999 | | F | | |
| | | Fiddle II 151 | 151 | 2008 | 2012 | F | | |
| | | Symphony 151 SR (4T/Rear disc model) | 151 | 2010 | 2012 | F | | |
| | | Symphony S 151 (4T/Rear disc model) | 151 | 2010 | 2012 | F | | |
| | | HD 200 EVO Euro 2-3 / EVO 1 Euro 2-3 | 200 | 2005 | | F | | |
| | | JOYRIDE EVO | 200 | 2009 | | F | | |
| | | City Com 300 i | 300 | 2008 | 2012 | F/R | | |
| FDB2191 | BENELLI | QuattroNove X (50cc/All Rear Disc Models) | 50 | 2010 | 2012 | F/R | | |
| CPI | B | QuattroNove X (50cc/All Rear Drum Models) | 50 | 2008 | 2012 | F | | |
| | B | OLIVER 50 | 50 | 2003 | 2005 | F | | |
| KYMCO | B | POPCORN 50 | 50 | 2003 | | F | | |
| | B | HUSSAR 50 / 125 / 150 | 125 | 2003 | | F | | |
| | B | HEROISM 50 | 50 | 1995 | 1997 | F | | |
| PEUGEOT | B | HEROISM 125 | 125 | 1995 | 1997 | F | | |
| | B | HEROISM 150 | 150 | 1995 | 1997 | F | | |
| FDB2192 | HONDA | B | NH 50 LEAD | 50 | 1988 | 1992 | F | |
| | | B | NH 80 LEAD | 80 | 1988 | | F | |
| | | B | RS 125 R | 125 | 1991 | 1994 | R | |
| | KYMCO | B | RS 250 | 250 | 1993 | 1994 | R | |
| | | B | MANBOY 50 | 50 | 1995 | | F | |
| | | B | SP 90 YUP | 90 | 1995 | | F | |
| | SYM | B | E Woo - Electric | | 2011 | | F | |
| | | B | BULLETT 50 | 50 | 1993 | | F | |
| | | B | FEEL BIG 50 | 50 | 1998 | 2002 | F | |
| | | B | Mio 50 | 50 | 2005 | 2012 | F | |
| | | B | PURE 50 | 50 | 1998 | 2002 | F | |
| | | B | Tonick 50 | 50 | 2011 | 2012 | F | |
| | | B | Mio 100 | 100 | 2005 | 2012 | F | |
| | | B | Tonick 125 | 125 | 2011 | 2012 | F | |
| | FDB2193 | CFMOTO | A | CF 500i (Terracross) Left | 500 | 2011 | 2012 | R |
| | | | A | CF 500-3 (Rancher 500 Side x Side) Left | 500 | 2010 | 2012 | R |
| | | | A | CF 625 - B/C (X6 Terranlander) | 625 | 2011 | 2012 | R |
| A | | | CF 625-3 (Z6 Terracross) Left | 625 | 2011 | 2012 | R | |
| A | | | CF 800-2 (Terranlander) | 800 | 2012 | | R | |
| A | | | CUV 500 Side X Side | 500 | 2010 | | R | |
| QUADZILLA | | A | QZ 500 E/ES 4x4 | 500 | 2009 | 2011 | R | |
| | | A | RL 500 MK 11 Buggie | 500 | 2010 | 2011 | R | |
| | | A | RS 5 4WD | 500 | 2010 | 2011 | R | |
| | | A | Z 6 4X4 | 600 | 2010 | 2011 | R | |
| | | A | YFM 660 Ducks Unlimited Ed.-side by side | 660 | 2006 | 2007 | R | |
| YAMAHA ATV | A | YFM 660 GRIZZLY | 660 | 2002 | 2008 | R | | |
| | YAMAHA | B | TZ 125 | 125 | 1997 | | R | |
| B | | TZ 250 (Radial Caliper) | 250 | 2002 | | R | | |
| B | | TZ 250 A - GP | 250 | 1990 | 2001 | R | | |
| B | | TZR 250 R | 250 | 1994 | | R | | |
| FDB2195 | HONDA ATV | A | TRX 500 FA/FAA Fourtrax Foreman Rubicon | 500 | 2005 | 2010 | F | |
| | | A | TRX 500 FGA Fourtrax Foreman Rubicon Gpscape | 500 | 2005 | 2009 | F | |
| | | A | TRX 500 FPA9 Fourtrax Foreman Rub. Gpscape EPS | 500 | 2009 | | F | |
| | | A | TRX 500 TM/FE/FA/FMA/FP/FP/FPM Fourtrax Foreman | 500 | 2005 | 2010 | F | |
| | | A | TRX 680 Fourtrax Rincon | 680 | 2006 | 2010 | F | |
| | | A | TRX 680 Fourtrax Rincon Gpscape | 680 | 2006 | 2009 | F | |
| | | A | TRX 700 XX (8/XX9) | 700 | 2008 | 2009 | R | |
| FDB2196 | HONDA | B | CBR 250 R ABS | 250 | 2011 | | F | |
| | | B | FORZA 300 ABS | 300 | 2014 | | F | |
| | | B | SH 300 i / ABS | 300 | 2007 | | F | |
| | | B | SH300i ABS | 300 | 2014 | | F | |
| | | B | SW-T 400 | 400 | 2009 | | F | |
| | | B | CBF 500 ABS | 500 | 2004 | 2007 | F | |
| | | B | CB 600 HORNET ABS | 600 | 2007 | | F | |
| | | B | CBF 600 N / S / ABS | 600 | 2008 | | F | |
| | | B | SW-T 600 ABS | 600 | 2011 | | F | |
| | | B | DEAUVILLE TRAVEL | 680 | 2007 | | F | |
| | | B | DN-01 Sports Cruiser | 680 | 2009 | | F | |
| | | B | NT 700 DEAUVILLE 680 / ABS | 680 | 2006 | | F | |
| | | B | TRANSALP 680 | 680 | 2008 | | F | |
| | | B | NC 700 D Integra | 700 | 2012 | | F | |
| B | NC 700 SA,XA (manual gearbox - ABS) | 700 | 2012 | | F | | | |



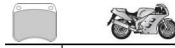
| | | | CC | FROM | TO | FRONT / REAR | | | |
|---------|----------------------------------|---------|--|------|--|-----------------|------|------|---|
| FDB2197 | SUZUKI | B | NC 700 SD,XD (automatic gearbox - ABS) | 700 | 2012 | | F | | |
| | | B | SHADOW ABS 750 | 750 | 2010 | | F | | |
| | | B | CROSSRUNNER | 780 | 2011 | | F | | |
| | | B | VFR 800 | 800 | 2006 | | F | | |
| | | B | CBF 1000 / Special Ed. (ABS System) | 1000 | 2006 | | F/R | | |
| | | B | CBF 1000 / ST | 1000 | 2011 | | F | | |
| | | B | XL 1000 VARADERO A4 (ABS) | 1000 | 2004 | | F | | |
| | | B | CB 1100 | 1100 | 2013 | | F | | |
| | | B | CROSSTOURER | 1250 | 2012 | | F | | |
| | | B | CROSSTOURER DCT (DUAL CLUTCH TRANSMISSION) | 1250 | 2014 | | F | | |
| | | B | CB 1300 S | 1300 | 2011 | | F | | |
| | | B | CTX1300 | 1300 | 2014 | | F | | |
| | | B | ST 1300 PAN EUROPEAN / ABS | 1300 | 2008 | | F | | |
| | | B | SIXTEEN 125 UH | 125 | 2008 | | F | | |
| | | B | UH 125 BURGMAN | 125 | 2007 | 2013 | F | | |
| | | B | UH 125 BURGMAN | 125 | 2007 | | F | | |
| | | B | SIXTEEN 150 UH | 150 | 2008 | | F | | |
| B | UH 200 BURGMAN | 200 | 2007 | 2013 | F | | | | |
| B | VLR 1800 INTRUDER C1800 R/RT | 1800 | 2008 | | F | | | | |
| FDB2197 | SUZUKI | B | RM 85 L | 85 | 2005 | | R | | |
| FDB2198 | MV AGUSTA | B | F4 750 Brutale | 750 | 1999 | | R | | |
| FDB2200 | YAMAHA | B | BRUTALE 910 / Hydrogen | 910 | 2007 | | R | | |
| | | B | BRUTALE 910 R / Starfighter | 910 | 2006 | | R | | |
| | | B | 920 - Brutale | 920 | 2011 | 2012 | R | | |
| | | B | BRUTALE 989 R | 989 | 2008 | | R | | |
| | | B | BRUTALE 990 R | 990 | 2010 | | R | | |
| | | B | F4 1000 | 1000 | 2003 | 2005 | R | | |
| | | B | F4 1000 R (1+1) | 1000 | 2006 | 2007 | R | | |
| | | B | F4 Stealth Italian Flag | 1000 | 2010 | | R | | |
| | | B | F4 Stealth Italian Flag | 1000 | 2010 | | R | | |
| | | B | BRUTALE 1078 R | 1078 | 2008 | | R | | |
| | | B | BRUTALE 1078 R | 1078 | 2008 | | R | | |
| FDB2201 | APRILIA | B | F4 312 R | 1078 | 2007 | | R | | |
| | | B | F4 312 R | 1078 | 2007 | | R | | |
| | | B | F4 RR 1078 | 1078 | 2008 | | R | | |
| | | B | F4 RR 1078 | 1078 | 2008 | | R | | |
| | | B | BRUTALE 1090 RR | 1090 | 2010 | | R | | |
| | | B | BRUTALE 1090 RR | 1090 | 2010 | | R | | |
| | | B | SKYLINER 400 | 400 | 2004 | | R | | |
| | | B | YP 400 MAJESTY | 400 | 2004 | 2004 | R | | |
| | | B | YP 400 MAJESTY (ABS) | 400 | 2007 | | R | | |
| | | B | YP 400 MAJESTY (NO ABS) | 400 | 2005 | | R | | |
| | | B | XP 500 T MAX | 500 | 2004 | 2007 | R | | |
| B | XP 500 T MAX | 500 | 2008 | 2011 | R | | | | |
| B | XP 500 T MAX SV (Tech Max) | 500 | 2011 | | R | | | | |
| B | XP 500 T MAX SV ABS (Tech Max) | 500 | 2011 | | R | | | | |
| FDB2202 | DERBI | B | RS4 50 (Rear AJP caliper) | 50 | 2011 | | F | | |
| | | B | RS4 50 (Rear JJ caliper) | 50 | 2011 | | F | | |
| | | B | RS4 125 4T (Rear AJP caliper) | 125 | 2011 | | F | | |
| | | B | RS4 125 4T (Rear JJ caliper) | 125 | 2011 | | F | | |
| | | B | GPR 50 | 50 | 2010 | | F | | |
| | | B | GPR 125 | 125 | 2010 | | F | | |
| | | B | GPR 125 / NUDE (Radial Caliper) | 125 | 2004 | 2009 | F | | |
| | | B | NK7 (50cc) Naked | 50 | 2009 | 2012 | F | | |
| | | B | XR7 (50cc) Full Fairing | 50 | 2008 | 2012 | F | | |
| | | FDB2203 | HARLEY DAVIDSON | B | FLSTC Heritage Softail® Classic | 1340 | 2000 | 2007 | R |
| | | | | B | FLSTF Fat Boy® | 1340 | 2000 | 2007 | R |
| B | FLTR Road Glide® (all models) | | | 1340 | 2005 | 2006 | F/R | | |
| B | FXST Softail® Standard | | | 1340 | 2006 | 2007 | R | | |
| B | FXSTB Night Train® | | | 1340 | 2006 | 2007 | R | | |
| B | FXSTD Softail® Duece® | | | 1340 | 2000 | 2007 | R | | |
| B | FXSTS / FXSTSI Springer Softail® | | | 1340 | 2006 | | R | | |
| B | FLST Heritage Softail® | | | 1450 | 2006 | | R | | |
| B | FLSTSC Springer® Classic | | | 1450 | 2006 | 2007 | R | | |
| FDB2204 | SUZUKI | | | B | ZX 6RR (ZX 599 B1) - Racing Applications | 599 | 2003 | 2006 | F |
| | | | | B | ZX 6R (ZX 636 K1) - Racing Applications | 636 | 2003 | 2006 | F |
| | | B | ZX-10R 1000 - Racing Applications | 1000 | 2004 | | F | | |
| | | B | ZX-12R 1200 - Racing Applications | 1200 | 2004 | | F | | |
| | | B | GSX R 1000 K3 - Racing Applications | 1000 | 2003 | | F | | |
| | | B | GSX-R 600 - Racing Applications | 600 | 2004 | 2005 | F | | |
| | | B | GSX-R 600 - Racing Applications | 600 | 2006 | | F | | |
| | | B | GSX-R 750 - Racing Applications | 750 | 2004 | 2005 | F | | |
| | | B | GSX-R 750 - Racing Applications | 750 | 2006 | | F | | |
| | | B | GSX-R 1000 - Racing Applications | 1000 | 2004 | 2008 | F | | |
| | | B | GSX-R 1000 - Racing Applications | 1000 | 2009 | | F | | |
| FDB2205 | HONDA | B | CBR 600 RR - Racing Applications | 600 | 2005 | | F | | |
| | | B | CBR 1000 FIREBLADE - Racing Applications | 1000 | 2004 | 2005 | F | | |
| FDB2206 | BETA | B | RR 50 Enduro | 50 | 2004 | 2007 | R | | |



CC FROM TO FRONT / REAR

| | | | | | | | |
|------------|--|------|---|------|------|------|-----|
| ...FDB2206 | | B | RR 50 Motard (Spoke Wheel) | 50 | 2009 | 2012 | R |
| | | B | ALP 125 4T | 125 | 2005 | 2012 | R |
| | | B | Urban 125 | 125 | 2008 | 2012 | R |
| | | B | ALP 200 4T | 200 | 2005 | 2012 | R |
| | | B | URBAN 200 | 200 | 2008 | 2012 | R |
| | | B | ALP 4.0 350 4T | 350 | 2005 | 2012 | R |
| | | B | M4 Supermotard | 350 | 2006 | 2012 | R |
| FDB2207 | PIAGGIO | B | MP3 125 ie | 125 | 2006 | | R |
| | | B | X 10 - 125 i Left | 125 | 2012 | | R |
| | | B | X8 125 | 125 | 2005 | | R |
| | | B | X8 125 ie | 125 | 2007 | | R |
| | | B | MP3 250 | 250 | 2007 | | R |
| | | B | X 10 - 250 i Left | 250 | 2012 | | R |
| | | B | X8 250 | 250 | 2006 | | R |
| | | B | X8 250 ie | 250 | 2007 | | R |
| | | B | X9 250 Evolution (right) | 250 | 2005 | 2005 | R |
| | | B | MP3 LT 400 ie | 400 | 2009 | | R |
| B | X 10 - 500 i Left | 500 | 2012 | | R | | |
| FDB2208 | YAMAHA | B | X-MAX 125 (Brembo Front Caliper) NO ABS | 125 | 2006 | 2009 | F |
| | | B | CELLOW 225 | 225 | 2005 | | F |
| | | B | X-MAX 250 (Brembo Front Caliper) NO ABS | 250 | 2005 | 2009 | F |
| FDB2210 | HARLEY DAVIDSON | B | All Touring Models | | 2008 | | F/R |
| | | B | VRSCD X night Rod Special | 1250 | 2010 | | F/R |
| | | B | VRSCF V-Rod Muscle | 1250 | 2010 | | F/R |
| | | B | VRSC V-Rod® (All Models) | 1340 | 2006 | 2008 | F/R |
| | | B | FLHR Road King® (all models) | 1450 | 2008 | | F/R |
| | | B | FLHT Electra Glide® (all models) | 1450 | 2008 | | F/R |
| | | B | FLHX Street Glide® | 1450 | 2008 | | F/R |
| | | B | FLTR Road Glide® (all models) | 1450 | 2008 | | F/R |
| | | B | FLHTC Electra Glide Classic | 1690 | 2010 | | F/R |
| | | B | FLHTK Electra Glide Ultra Ltd. | 1690 | 2010 | | F |
| FDB2211 | HONDA | B | S-WING 125 | 125 | 2009 | | F |
| | | B | SH 125i | 125 | 2009 | 2012 | F |
| | | B | S-WING 150 | 150 | 2008 | | F |
| | | B | SH 150 | 150 | 2008 | | F |
| | | B | FORZA 250 / X | 250 | 2005 | | F |
| FDB2212 | HONDA | B | S-WING 125 | 125 | 2009 | | R |
| | | B | SH 125i | 125 | 2009 | 2012 | R |
| | | B | SH 125i | 125 | 2013 | | R |
| | | B | SH125i ABS | 125 | 2014 | | R |
| | | B | S-WING 150 | 150 | 2008 | | R |
| | | B | SH 150 | 150 | 2008 | | R |
| | | B | SH 150i ABS | 150 | 2013 | | R |
| | | B | SH150i ABS | 150 | 2014 | | R |
| | | B | FORZA 250 / X | 250 | 2005 | | R |
| | | B | FORZA 300 ABS | 300 | 2014 | | R |
| | | B | SH 300 i / ABS | 300 | 2007 | | R |
| | | B | SH300i ABS | 300 | 2014 | | R |
| | | B | SW-T 400 | 400 | 2009 | | R |
| FDB2213 | SUZUKI | B | GSR 600 /A / ABS | 600 | 2006 | | R |
| | | B | GSX-R 600 | 600 | 2006 | 2010 | R |
| | | B | GSX-R 600 - Racing Applications | 600 | 2006 | | R |
| | | B | GSX-R 750 | 750 | 2006 | 2010 | R |
| | | B | GSX-R 750 - Racing Applications | 750 | 2006 | | R |
| | | B | GSX-R 1000 | 1000 | 2007 | 2008 | R |
| | | B | GSX-R 1000 Yoshimura 2008 | 1000 | 2010 | | R |
| | | B | V-STROM 1000 | 1000 | 2013 | | R |
| | | B | V-STROM 1000 ABS | 1000 | 2014 | | R |
| | | B | GSX 1300 B-KING / Hyaku | 1300 | 2007 | | R |
| | | B | GSX-R 1300 | 1300 | 2008 | | R |
| | | B | GSX-R 1300 HAYABUSA | 1300 | 2008 | | R |
| | | B | GSX-R 1300 HAYABUSA | 1300 | 2008 | | R |
| B | GSX-R 1300 HAYABUSA ABS (Racing version pad) | 1300 | 2013 | | R | | |
| B | GSX-R 1300 HAYABUSA ABS (Road version pad) | 1300 | 2013 | | R | | |
| B | B-KING | 1340 | 2010 | | R | | |
| FDB2214 | ARCTIC CAT ATV | A | F-series Diamond Drive | | 2005 | | F |
| FDB2216 | APRILIA | B | RS 125 | 125 | 2006 | | F |
| | | B | RS 125 2T RADIAL CALIPER | 125 | 2006 | 2012 | F |
| | | B | SL 750 SHIVER ABS / GT | 750 | 2008 | | F |
| | | B | SMV 750 Dorsoduro (NO ABS/ABS) | 750 | 2008 | | F |
| SYM | | B | NA 850 MANA ABS / GT | 850 | 2008 | | F |
| | | B | Max Sym 400i | 400 | 2011 | 2012 | F |
| FDB2217 | YAMAHA | B | YZF 1000 R1 | 1000 | 2007 | | F |
| | | B | MT-01 1670 | 1670 | 2007 | | F |
| | | B | V-MAX | 1680 | 2008 | | F |
| FDB2218 | APRILIA | B | RSV4 Factory /APRC SE /R (Racing version pad) | 1000 | 2008 | | F |
| | | B | RSV4 Factory APRC ABS (Racing version pad) | 1000 | 2013 | | F |
| | | B | RSV4 R APRC ABS (Racing version pad) | 1000 | 2013 | | F |

B = Bike
A = ATV
S = Snowmobile



CC FROM TO FRONT / REAR

| | | | | | | | | |
|------------|--|-----------|---|---|------|------|------|---|
| BIMOTA | | B | DB7 Oronero Millenovantotto | 1098 | 2009 | | F | |
| | | B | HP2 Sport 1200 (Racing version pad) | 1200 | 2008 | | F | |
| | | BMW | B | Superbike 848 EVO (Racing version pad) | 848 | 2011 | | F |
| | | | B | Desmosedici RR (Lim. Ed.)(Racing version pad) | 1000 | 2008 | | F |
| | | | B | 1098 /1098 S / 1098 R Bayliss Lim. Ed. (Racing version pad) | 1098 | 2007 | | F |
| | | | B | STREETFIGHTER S (Racing version pad) | 1099 | 2011 | | F |
| | | | B | HYPERMOTARD 1100 SP / EVO SP / Corse ed. (Racing version pad) | 1100 | 2010 | | F |
| | | | B | HYPERMOTARD 1100S (Racing version pad) | 1100 | 2007 | | F |
| | | | B | Streetfighter / S (Racing version pad) | 1100 | 2010 | | F |
| | | | B | 1199 Panigale (ABS Std) (Racing version pad) | 1198 | 2014 | | F |
| | | | B | 1199 Panigale R (ABS Std) (Racing version pad) | 1198 | 2014 | | F |
| | | | B | 1199 Panigale S (ABS Std) (Racing version pad) | 1198 | 2012 | | F |
| | | B | DIABLO CARBON 1200 (ABS Std) (Racing version pad) | 1198 | 2014 | | F | |
| | | B | DIABLO DARK 1200 (ABS Std) (Racing version pad) | 1198 | 2014 | | F | |
| | | B | DIABLO STRADA 1200 (ABS Std) (Racing version pad) | 1198 | 2014 | | F | |
| B | SUPERBIKE 1198 / S / S Corse / R / SP (Racing version pad) | 1198 | 2009 | | F | | | |
| B | 1199 Panigale Superleggera (Racing version pad) | 1199 | 2014 | | F | | | |
| B | DIABLO 1200 (ABS Std) (Racing version pad) | 1200 | 2011 | | F | | | |
| B | MONSTER 1200S (Racing version pad) | 1200 | 2014 | | F | | | |
| HONDA | | B | CBR1000RR Fireblade SP (Racing version pad) | 1000 | 2014 | | F | |
| | | KTM | B | 690 DUKE R (ABS Std) (Racing version pad) | 690 | 2013 | | F |
| | | | B | 990 SMR (Racing version pad) | 990 | 2010 | | F |
| | | | B | 1190 RC8 (Racing version pad) | 1190 | 2008 | 2011 | F |
| | | B | 1190 RC8 R (ABS Std) (Racing version pad) | 1190 | 2009 | | F | |
| | | B | SUPERDUKE R 1290 (ABS Std) (Racing version pad) | 1301 | 2014 | | F | |
| | | B | SUPERDUKE R 1290 PROTO (Racing version pad) | 1301 | 2013 | | F | |
| MOTO GUZZI | | B | GRANFERRO 1200 | 1200 | 2010 | | F | |
| | | B | V12 X / Strada | 1200 | 2010 | | F | |
| | | MV AGUSTA | B | F4 Stealth Italian Flag | 1000 | 2010 | | F |
| B | BRUTALE 1078 R | | 1078 | 2008 | | F | | |
| B | F4 312 R | | 1078 | 2007 | | F | | |
| B | F4 RR 1078 | 1078 | 2008 | | F | | | |
| SUZUKI | | B | BRUTALE 1090 RR | 1090 | 2010 | | F | |
| | | B | GSX-R 600 (Racing version pad) | 600 | 2011 | | F | |
| | | B | GSX-R 750 (Racing version pad) | 750 | 2011 | | F | |
| | | B | GSX-R 1000 | 1000 | 2012 | | F | |
| | | B | GSX-R 1300 HAYABUSA ABS (Racing version pad) | 1300 | 2013 | | F | |
| TRIUMPH | | B | DAYTONA 675 R (Racing version pad) | 675 | 2011 | 2012 | F | |
| | | B | DAYTONA 675 R (Racing version pad) | 675 | 2013 | | F | |
| | | B | SPEED TRIPLE R 1050 (Racing version pad) | 1050 | 2012 | | F | |
| FDB2219 | YAMAHA | B | YZ 125 | 125 | 2008 | | F | |
| B | YZ / WR 250 | 250 | 2008 | | F | | | |
| B | YZ 250 F | 250 | 2007 | | F | | | |
| B | YZ 450 F | 450 | 2008 | | F | | | |
| FDB2220 | KAWASAKI | B | ZX 6R 600 NINJA | 600 | 2007 | | F | |
| B | Z 750 R | 750 | 2011 | | F | | | |
| B | Z 1000 | 1000 | 2007 | 2009 | F | | | |
| B | Z 1000 / SE | 1000 | 2012 | | F | | | |
| B | Z 1000 SX | 1000 | 2012 | | F | | | |
| B | 1400 GTR | 1400 | 2007 | 2011 | F | | | |
| B | 1400 GTR | 1400 | 2012 | | F | | | |
| B | ZZR 1400 | 1400 | 2006 | | F | | | |
| FDB2221 | HONDA | B | CBR 600 F / ABS | 600 | 2011 | | R | |
| B | CBR 600 RR / Lim. Ed. / Fireblade Repsol | 600 | 2007 | | R | | | |
| B | CBR 1000 FIREBLADE RR / Hansspree Ed. | 1000 | 2006 | | R | | | |
| B | CBR 1000RR Fireblade | 1000 | 2014 | | R | | | |
| B | CBR1000RR Fireblade SP (Racing version pad) | 1000 | 2014 | | R | | | |
| B | CBR1000RR Fireblade SP (Road version pad) | 1000 | 2014 | | R | | | |
| KAWASAKI | | B | ZX 6R 636 NINJA | 636 | 2013 | | R | |
| | | B | ZX-10R 1000 | 1000 | 2011 | | R | |
| | | SUZUKI | B | GSX-R 600 | 600 | 2011 | | R |
| | | | B | GSX-R 600 (Racing version pad) | 600 | 2011 | | R |
| | | | B | GSX-R 600 (Road version pad) | 600 | 2011 | | R |
| | | B | GSX-R 750 | 750 | 2011 | | R | |
| B | GSX-R 750 (Racing version pad) | 750 | 2011 | | R | | | |
| B | GSX-R 750 (Road version pad) | 750 | 2011 | | R | | | |
| B | GSX-R 1000 | 1000 | 2009 | 2011 | R | | | |
| B | GSX-R 1000 | 1000 | 2012 | | R | | | |
| B | GSX-R 1000 | 1000 | 2012 | | R | | | |
| B | GSX-R 1000 (Road version pad) | 1000 | 2012 | | R | | | |
| B | GSX-R 1000 - Racing Applications | 1000 | 2009 | | R | | | |
| B | GSX-R 1000 Alstare 25 Ann. | 1000 | 2010 | | R | | | |
| FDB2224 | YAMAHA | B | CYGNUS X 125 | 125 | 2004 | 2011 | F | |
| B | CYGNUS X 250 | 250 | 2007 | | F | | | |
| FDB2225 | KYMCO | B | DOWNTOWN / SUPERDINK 125 i | 125 | 2008 | | F | |
| | | B | DOWNTOWN 200 i | 200 | 2010 | | F | |
| | | B | XCITING 250 | 250 | 2006 | | F | |
| | | B | DOWNTOWN / SUPERDINK 300 i | 300 | 2008 | | F | |

B = Bike
A = ATV
S = Snowmobile



CC FROM TO FRONT / REAR

| Code | Brand | Model | CC | FROM | TO | FRONT / REAR | | |
|---|---|--|-------------------------------|---|------|--------------|---|---|
| ...FDB2225 | | B PEOPLE S300i (Left Rear Caliper) | 300 | 2008 | | F | | |
| | | B XCITING 300 Ri | 300 | 2008 | | F | | |
| | | B XCITING 300 Ri | 300 | 2010 | | F | | |
| | | B Xciting 400i | 400 | 2012 | | R | | |
| | | B XCITING 500 / 500i | 500 | 2005 | | F | | |
| | | B XCITING 500 Ri | 500 | 2010 | | F | | |
| | | B MYROAD 700i | 700 | 2008 | | F/R | | |
| FDB2226 | KYMCO | B MOVIE 125 (4T) | 125 | 2008 | | F | | |
| | | B XCITING 300 Ri | 300 | 2010 | | R | | |
| | | B XCITING 500 Ri | 500 | 2010 | | R | | |
| | | PEUGEOT LXR 125 (4T) | 125 | 2010 | 2012 | R | | |
| | | LXR 200i (4T) | 200 | 2010 | 2011 | R | | |
| | SYM | City Com 125 | 125 | 2008 | 2010 | R | | |
| | | B GTS 125 | 125 | 2006 | 2009 | F/R | | |
| | | B GTS 125 i | 125 | 2010 | | R | | |
| | | B HD Evo 125 (Carb & EFI Models/4T/Single Headlight) | 125 | 2003 | | R | | |
| | | B HD2- 125i (4T) | 125 | 2010 | | R | | |
| | | B JOYRIDE (Euro2 - Euro3) | 125 | 2005 | | R | | |
| | | B JOYRIDE 125 EURO2 | 125 | 2005 | 2006 | R | | |
| | | B JOYRIDE Evo | 125 | 2010 | | R | | |
| | | B SB 125 N - Wolf (Carb Model) | 125 | 2011 | 2012 | F | | |
| | | B SB 125 Ni - Wolf (EFI Model) | 125 | 2011 | 2012 | F | | |
| | SYM ATV | B HD 200 EVO Euro 2-3 / EVO 1 Euro 2-3 | 200 | 2005 | | R | | |
| | | B JOYRIDE EVO | 200 | 2009 | | R | | |
| | | B GTS 250 | 250 | 2007 | | R | | |
| | | B JOYMAX 250 | 250 | 2006 | 2007 | R | | |
| | | Citymax 300 Quad | 300 | 2006 | | R | | |
| | | B JOYMAX 300 EVO / EVO I | 300 | 2009 | | R | | |
| | | B JOYRIDE 300 EVO I | 300 | 2010 | | R | | |
| | | A Trackrunner 200 Quad | 200 | 2005 | 2009 | R | | |
| | | A Quadlander 250 | 250 | 2005 | 2009 | R | | |
| | | FDB2230 | YAMAHA ATV | A YFM 250 R Raptor (right) | 250 | 2008 | | F |
| | | | | A YFM 250 RSPX Special Edition Custom (Right) | 250 | 2008 | | F |
| | | | | A YFM 550 4x4 Grizzly (right) | 550 | 2008 | | F |
| | | | | A YFM 700 GRIZZLY (right) | 700 | 2008 | | F |
| | | FDB2231 | YAMAHA ATV | A YFM 250 R Raptor (left) | 250 | 2008 | | F |
| | | | | A YFM 250 RSPX Special Edition Custom (Left) | 250 | 2008 | | F |
| | A YFM 550 4x4 Grizzly (left) | | | 550 | 2008 | | F | |
| | A YFM 700 Ducks Unlimited Edition (Left) | | | 700 | 2007 | 2009 | F | |
| | A YFM 700 Ducks Unlimited Edition (Right) | | | 700 | 2007 | 2009 | F | |
| | A YFM 700 GRIZZLY (left) | | | 700 | 2008 | | F | |
| | FDB2232 | YAMAHA ATV | A YFM 550 4x4 Grizzly (right) | 550 | 2008 | | R | |
| A YFM 700 Ducks Unlimited Edition (Right) | | | 700 | 2007 | 2009 | R | | |
| A YFM 700 GRIZZLY (right) | | | 700 | 2008 | | R | | |
| FDB2233 | YAMAHA ATV | A YFM 550 4x4 Grizzly (left) | 550 | 2008 | | R | | |
| | | A YFM 700 Ducks Unlimited Edition (Left) | 700 | 2007 | 2009 | R | | |
| | | A YFM 700 GRIZZLY (left) | 700 | 2008 | | R | | |
| FDB2235 | YAMAHA ATV | A YFM 700 RAPTOR (left) - All Models | 700 | 2006 | | R | | |
| FDB2236 | POLARIS ATV | A Ranger 2x4/4x4 - side by side | | 2004 | 2005 | F/R | | |
| | | A Ranger 6x6 - side by side | | 2004 | 2005 | F/R | | |
| | | A Ranger EV (Electric) - side by side | | 2010 | 2011 | R | | |
| | | A Ranger TM - side by side | | 2004 | | F/R | | |
| | | A Ranger XP - side by side | | 2005 | | F/R | | |
| | | A Ranger 400 - side by side | 400 | 2010 | | R | | |
| | | A Ranger 500 (2x4/4x4) - side by side | 500 | 2006 | 2007 | F/R | | |
| | | A Ranger 500 (Carb) 2x4 - side by side | 500 | 2009 | | R | | |
| | | A Ranger 500 (EFI) 4x4 H.O. - side by side | 500 | 2009 | 2011 | R | | |
| | | A Ranger 500 2x4 - side by side | 500 | 2008 | | R | | |
| | | A Ranger 500 4x4 EFI - side by side | 500 | 2006 | 2007 | F/R | | |
| | | A Ranger 500 4x4 EFI - side by side | 500 | 2008 | | R | | |
| | | A Ranger 500 Crew - side by side | 500 | 2011 | | R | | |
| | | A Ranger 700 4x4 EFI - side by side | 700 | 2009 | | R | | |
| | | A Ranger 700 4x4 EFI/LE - side by side | 700 | 2007 | | F/R | | |
| | | A Ranger 700 6x4 EFI - side by side | 700 | 2008 | | R | | |
| | | A Ranger 700 6x6 EFI - side by side | 700 | 2006 | 2009 | R | | |
| | | A Ranger 700 XP 4x4 - side by side | 700 | 2006 | 2008 | F/R | | |
| | | A Ranger 700 XP 4x4 - side by side | 700 | 2008 | | R | | |
| | | A Ranger 800 6x6 - side by side | 800 | 2010 | | R | | |
| | | A Ranger 800 Crew - side by side | 800 | 2010 | | R | | |
| | | A Ranger 800 HD - side by side | 800 | 2010 | | R | | |
| | | A Ranger 800 RZR-4 - side by side | 800 | 2010 | 2012 | R | | |
| | | A Ranger 800 RZR-4 EPS - side by side | 800 | 2012 | | R | | |
| | | A Ranger 800 XP - side by side | 800 | 2010 | | R | | |
| | | A Polaris Razor XP900 - side by side | 900 | 2012 | | R | | |
| | | A Ranger 900 D 4x4 Diesel - side by side | 900 | 2011 | | R | | |
| A Ranger 900 RZR XP - side by side | 900 | 2011 | 2012 | R | | | | |
| FDB2238 | YAMAHA | B VITY 125 | 125 | 2008 | | F | | |
| | | B YBR 125 / Custom | 125 | 2008 | | F | | |



CC FROM TO FRONT / REAR

| Code | Brand | Model | CC | FROM | TO | FRONT / REAR |
|-------------------|---|---|------|------|------|--------------|
| | | B KRIPTON T135FI | 135 | 2008 | | F |
| | | B YZF-R15 | 150 | 2011 | | F |
| FDB2240 | BUELL | B XB9SCG | 984 | 2008 | | F |
| | | B 1125R / CR | 1125 | 2008 | | F |
| | | B XB12 SX Lighting City X | 1200 | 2010 | | F |
| | | B XB12S Lighting | 1200 | 2009 | | F |
| | | B XB12SCG Lightning Low | 1200 | 2009 | | F |
| | | B XB12SS Lightning Long | 1200 | 2009 | | F |
| | | | | | | |
| FDB2242 | AJP | B PR5 250 Enduro | 250 | 2010 | 2011 | F |
| | | B PR5 250 Supermoto | 250 | 2010 | 2011 | F |
| | | DERBI B Cross City 125 | 125 | 2009 | 2013 | F |
| | | B Mulhacen 125 (4T) From ref no.: 7N001791 | 125 | 2007 | 2010 | F |
| | | B TERRA 125 | 125 | 2007 | 2008 | F |
| | | B TERRA 125 ADVENTURE | 125 | 2008 | 2009 | F |
| | | B TERRA 125 ADVENTURE | 125 | 2010 | 2013 | F |
| | | FANTIC B TR 125 CR (2T) Cross Competizione | 125 | 2013 | | F |
| | | B TR 125 MR (2T) Motard Competizione | 125 | 2013 | | F |
| | | B TZ 125 CS (2T) Caballero Cross | 125 | 2011 | 2012 | F |
| | | B TZ 125 ES (2T) Regularita Scuderia | 125 | 2011 | 2012 | F |
| | | B TZ 125 SM (2T) Caballero Motard | 125 | 2011 | 2012 | F |
| | | B TZ 170 E (125 E / 4T) Regularita Casa | 170 | 2011 | 2013 | F |
| | | B TZ 170 ER (125 ER / 4T) Caballero Regularita Competizione | 170 | 2011 | 2013 | F |
| | | B TZ 170 SM (125 SM / 4T) Motard Casa | 170 | 2011 | 2013 | F |
| | | B TX 180 E (49cc/2T) Regularita Casa 50E | 180 | 2012 | 2013 | F |
| | | B TX 180 ER (49cc/2T) Regularita Competizione 50ER | 180 | 2012 | 2013 | F |
| | | B TX 180 ES (49cc/2T) Regularita Scuderia 50ES | 180 | 2012 | 2013 | F |
| | | B TX 180 MR (49cc/2T) Motard Competizione 50MR | 180 | 2012 | 2013 | F |
| | | B TX 180 SM (49cc/2T) Motard Casa 50M | 180 | 2012 | 2013 | F |
| | | B TZ 200 ER (200 ER / 4T) Caballero Regularita Competizione | 200 | 2011 | 2013 | F |
| | | B TZ 200 MR (200 MR / 4T) Motard | 200 | 2011 | 2013 | F |
| | | B TF 250 ES (4T) | 250 | 2011 | 2013 | F |
| | | B TR 250 ES (2T) Enduro Six Day | 250 | 2013 | | F |
| | | B TR 300 ES (2T) Enduro Six Day | 300 | 2013 | | F |
| | | B TZ 300 ES Regularita Scuderia | 300 | 2011 | 2012 | F |
| | | HONDA B CRE Baja RR HM 125 2T | 125 | 2011 | | F |
| B CRF 250 LD | 250 | 2013 | | F | | |
| RIEJU | B MTR 50 Competizione (Spoke Wheel) | 50 | 2011 | | F | |
| | B Marathon Pro 125 Competizione (Spoke Wheel) | 125 | 2011 | 2013 | F | |
| | B TANGO 125 | 125 | 2011 | 2013 | F | |
| SCORPA | B TANGO 250 | 250 | 2012 | 2013 | F | |
| | B T-Ride 125 F (Enduro) | 125 | 2010 | | F | |
| | B T-Ride 250 F (Enduro) | 250 | 2008 | 2011 | F | |
| FDB2243 | SKI DOO SNOWMOBILE | S REV XP | | 2008 | | F |
| FDB2244 | HONDA | B CRM F 450 / R / X / RR (Magura 4 pistons) | 450 | 2008 | | F |
| | | KTM B 450 SMR | 450 | 2007 | | F |
| | | B 560 SMR | 560 | 2007 | | F |
| FDB2245 | APRILIA | B SXV 450 | 450 | 2005 | 2007 | F |
| | | B SXV 550 | 550 | 2005 | | F |
| | | B PEGASO 650 Factory | 650 | 2008 | | F |
| | | B FE 450 c | 450 | 2006 | | F |
| | | B FS 650 e, c | 650 | 2006 | | F |
| | | B SX 450 SMR | 450 | 2005 | 2006 | F |
| B SX 525 SMR | 525 | 2005 | | F | | |
| FDB2248 | KAWASAKI | B J300 | 300 | 2014 | | R |
| | | B DOWNTOWN / SUPERDINK 125 i | 125 | 2008 | | R |
| | | B DOWNTOWN 200 i | 200 | 2010 | | R |
| | | B DOWNTOWN / SUPERDINK 300 i | 300 | 2008 | | R |
| B GRAND DINK 300i | 300 | 2010 | | R | | |
| FDB2250 | HARLEY DAVIDSON | B FXDC Dyna Super Glide® Custom | 1340 | 2008 | | F |
| | | B FXDL Dyna Low Rider® | 1340 | 2008 | 2008 | F |
| | | B FXDWG Dyna Wide Glide® | 1340 | 2008 | | F |
| | | B FXS Black Line | 1340 | 2012 | | F |
| | | B FXSTB Night Train® | 1340 | 2008 | | F |
| | | B FXSTC Softail® Custom | 1340 | 2008 | | F |
| | | B FLSTC Heritage Softail® Classic | 1450 | 2008 | 2010 | F |
| | | B FLSTF Fat Boy® /Fat Boy® Special | 1450 | 2008 | | F |
| | | B FLSTN Softail® Deluxe | 1450 | 2008 | | F |
| | | B FLTR Road Glide® (all models) | 1450 | 2007 | 2008 | F |
| | | B FXCW Rocker® | 1450 | 2008 | | F |
| | | B FXCWC Rocker® C | 1450 | 2008 | 2010 | F |
| | | B FXD Dyna Super Glide® | 1450 | 2008 | | F |
| | | B FXDB Dyna Street Bob | 1450 | 2008 | | F |
| | | B FXCWC Softail Rocker C | 1584 | 2010 | | F |
| B FXDF Fatbob® | 1584 | 2008 | | F | | |
| B FLD Switch Back | 1690 | 2012 | | F | | |
| FDB2251 | HARLEY DAVIDSON | B FXDC Dyna Super Glide® Custom | 1340 | 2008 | | R |
| | | B FXDL Dyna Low Rider® | 1340 | 2008 | 2008 | R |
| | | B FXDWG Dyna Wide Glide® | 1340 | 2008 | | R |



CC FROM TO FRONT / REAR

| CC | FROM | TO | FRONT | REAR |
|------------|------------------------------------|---|-----------|--------|
| ...FDB2251 | B FXS Black Line | 1340 2012 | | R |
| | B FXSTB Night Train® | 1340 2008 | | R |
| | B FXSTC Softail® Custom | 1340 2008 | | R |
| | B FLSTC Heritage Softail® Classic | 1450 2008 | 2010 | R |
| | B FLSTF Fat Boy® /Fat Boy® Special | 1450 2008 | | R |
| | B FLSTN Softail® Deluxe | 1450 2008 | | R |
| | B FLSTSB Crossbones® | 1450 2008 | | R |
| | B FLTR Road Glide® (all models) | 1450 2007 | 2008 | R |
| | B FXCW Rocker® | 1450 2008 | | R |
| | B FXCWC Rocker® C | 1450 2008 | 2010 | R |
| | B FXD Dyna Super Glide® | 1450 2008 | | R |
| | B FXDB Dyna Street Bob | 1450 2008 | | R |
| | B FLST SB Softail Cross Bones | 1584 2010 | | R |
| | B FXCWC Softail Rocker C | 1584 2010 | | R |
| | B FXDF Fatbob® | 1584 2008 | | R |
| | B FLD Switch Back | 1690 2012 | | R |
| FDB2252 | TRIUMPH | B DAYTONA 675 | 675 2009 | 2012 F |
| | | B DAYTONA 675 | 675 2013 | F |
| FDB2253 | HONDA | B VFR 800 XC (Crossrunner) | 800 2012 | R |
| | | B CB 1000 R (No ABS) | 1000 2009 | R |
| | | B VFR 1200 F (Manual Transmission) | 1200 2010 | R |
| | | B VFR 1200 FD -DCT (Automatic Transmission) | 1200 2010 | R |
| | | B CROSSTOURER DCT (DUAL CLUTCH TRANSMISSION) | 1250 2014 | R |
| FDB2254 | KYMCO | B PEOPLE / PEOPLE S 125 | 125 2006 | R |
| | | B PEOPLE GT 125i | 125 2010 | R |
| | | B PEOPLE GT 200i | 200 2010 | R |
| | | B PEOPLE S 200 i | 200 2007 | R |
| | | B PEOPLE 250 S (Left rear caliper) | 250 2006 | R |
| | | B XCITING 250 | 250 2006 | R |
| | | B K-XCT 300i | 300 2012 | R |
| | | B PEOPLE GT 300i / ABS | 300 2010 | R |
| | | B PEOPLE S300i (Left Rear Caliper) | 300 2008 | R |
| | | B XCITING 300 Ri | 300 2008 | R |
| FDB2255 | BMW | B S1000R | 1000 2014 | F |
| | | B S1000RR | 1000 2009 | F |
| FDB2256 | HONDA | B NSC 50 | 50 2012 | F |
| | | B NSC 110 | 110 2011 | F |
| | | B SCV 110 | 110 2010 | 2011 F |
| | | B PCX 125 | 125 2010 | F |
| | | B Satelis 125 | 125 2013 | F |
| FDB2257 | HUSQVARNA KTM | B CR 65 | 65 2010 | 2012 R |
| | | B Freeride Electric | 2012 | R |
| | | B SX 85 (16"/19") | 85 2012 | R |
| | | B SX 85 (17"/14") | 85 2011 | R |
| | | B Freeride 250 R | 250 2014 | R |
| | | B Freeride 350 | 350 2012 | R |
| FDB2258 | KAWASAKI | B Z800 (ADS) | 800 2013 | R |
| | | B Z800 ABS (BDS) | 800 2013 | R |
| | | B Z800 E (CDS) | 800 2013 | R |
| | | B Z800 E ABS (DDS) | 800 2013 | R |
| | SUZUKI | B SVF GLADIUS 650 (Right) NO ABS | 650 2009 | 2012 R |
| | | B SVF GLADIUS 650 (Right) | 650 2009 | 2013 R |
| FDB2259 | HONDA | B VFR 1200 F (Manual Transmission) | 1200 2010 | F |
| | | B VFR 1200 FD -DCT (Automatic Transmission) | 1200 2010 | F |
| FDB2260 | APRILIA | B RSV4 Factory /APRC SE /R | 1000 2008 | F |
| | | B RSV4 Factory APRC ABS (Road version pad) | 1000 2013 | F |
| | | B RSV4 R APRC ABS (Road version pad) | 1000 2013 | F |
| | BIMOTA | B DB7 Oronero Millenovantotto | 1098 2009 | F |
| | | B DB7 (1099cc) | 1099 2009 | F |
| | | B DB8 (1198cc) | 1198 2010 | F |
| | BMW | B HP2 Sport 1200 (Road version pad) | 1200 2008 | F |
| | DUCATI | B Superbike 848 EVO (Road version pad) | 848 2011 | F |
| | | B Desmosedici RR (Lim. Ed.) (Road version pad) | 1000 2008 | F |
| | | B 1098 /1098 S / 1098 R Bayliss Lim. Ed. (Road version pad) | 1098 2007 | F |
| | | B STREETFIGHTER S (Road version pad) | 1099 2011 | F |
| | | B HYPERMOTARD 1100 SP / EVO SP / Corse ed. (Road version pad) | 1100 2010 | F |
| | | B HYPERMOTARD 1100S (Road version pad) | 1100 2007 | F |
| | | B Streetfighter / S (Road version pad) | 1100 2010 | F |
| | | B 1199 Panigale (ABS Std) (Road version pad) | 1198 2014 | F |
| | | B 1199 Panigale R (ABS Std) (Road version pad) | 1198 2014 | F |
| | | B 1199 Panigale S (ABS Std) (Road version pad) | 1198 2012 | F |
| | | B DIAVEL CARBON 1200 (ABS Std) (Road version pad) | 1198 2014 | F |
| | | B DIAVEL DARK 1200 (ABS Std) (Road version pad) | 1198 2014 | F |
| | | B DIAVEL STRADA 1200 (ABS Std) (Road version pad) | 1198 2014 | F |
| | | B SUPERBIKE 1198 / S / S Corse / R / SP (Road version pad) | 1198 2009 | F |
| | | B 1199 Panigale Superleggera (Road version pad) | 1199 2014 | F |
| | | B DIAVEL 1200 (ABS Std) (Road version pad) | 1200 2011 | F |
| | | B MONSTER 1200S (Road version pad) | 1200 2014 | F |



CC FROM TO FRONT / REAR

| CC | FROM | TO | FRONT | REAR |
|---------|-------------|---|-----------|--------|
| | HONDA | B CBR1000RR Fireblade SP (Road version pad) | 1000 2014 | F |
| | HUSQVARNA | B NUDA 900 | 900 2012 | F |
| | | B NUDA 900 ABS | 900 2013 | F |
| | KTM | B 690 DUKE R (ABS Std) (Road version pad) | 690 2014 | F |
| | | B 990 SMR (Road version pad) | 990 2010 | F |
| | | B 1190 RC8 (Road version pad) | 1190 2008 | 2011 F |
| | | B 1190 RC8 R (ABS Std) (Road version pad) | 1190 2009 | F |
| | | B SUPERDUKE R 1290 (ABS Std) (Road version pad) | 1301 2014 | F |
| | MOTO GUZZI | B GRANFERRIO 1200 | 1200 2010 | F |
| | | B V12 X / Strada | 1200 2010 | F |
| | MV AGUSTA | B 675 - F3 Serie Oro | 675 2012 | F |
| | | B F4 Stealth Italian Flag | 1000 2010 | F |
| | | B BRUTALE 1078 R | 1078 2008 | F |
| | | B F4 312 R | 1078 2007 | F |
| | | B F4 RR 1078 | 1078 2008 | F |
| | | B BRUTALE 1090 RR | 1090 2010 | F |
| | SUZUKI | B GSX-R 600 | 600 2011 | F |
| | | B GSX-R 600 (Road version pad) | 600 2011 | F |
| | | B GSX-R 750 | 750 2011 | F |
| | | B GSX-R 750 (Road version pad) | 750 2011 | F |
| | | B GSX-R 1000 | 1000 2012 | F |
| | | B GSX-R 1000 (Road version pad) | 1000 2012 | F |
| | | B GSX-R 1300 HAYABUSA ABS (Road version pad) | 1300 2013 | F |
| | TRIUMPH | B DAYTONA 675 R (Road version pad) | 675 2011 | 2012 F |
| | | B DAYTONA 675 R (Road version pad) | 675 2013 | F |
| | | B SPEED TRIPLE R 1050 (Road version pad) | 1050 2012 | F |
| FDB2262 | KTM | B Freeride Electric | 2012 | F |
| | | B SX 85 (16"/19") | 85 2012 | F |
| | | B Freeride 250 R | 250 2014 | F |
| | | B Freeride 350 | 350 2012 | F |
| FDB2263 | POLARIS ATV | A Ranger EV (Electric) - side by side | 2010 | 2011 F |
| | | A Ranger 400 - side by side | 400 2010 | F |
| | | A Ranger 500 (Carb) 2x4 -side by side | 500 2009 | F |
| | | A Ranger 500 (EFI) 4x4 H.O. - side by side | 500 2009 | 2011 F |
| | | A Ranger 500 2x4 - side by side | 500 2008 | F |
| | | A Ranger 500 4x4 EFI - side by side | 500 2008 | F |
| | | A Ranger 500 Crew - side by side | 500 2011 | F |
| | | A Ranger 700 4x4 EFI - side by side | 700 2009 | F |
| | | A Ranger 700 6x4 EFI - side by side | 700 2008 | F |
| | | A Ranger 700 Crew (EFI) 4x4 - side by side | 700 2009 | F/R |
| | | A Ranger 700 XP 4x4 - side by side | 700 2008 | F |
| | | A Ranger 800 6x6 - side by side | 800 2010 | F |
| | | A Ranger 800 Crew - side by side | 800 2010 | F |
| | | A Ranger 800 HD - side by side | 800 2010 | F |
| | | A Ranger 800 RZR-4 - side by side | 800 2010 | 2012 F |
| | | A Ranger 800 RZR-4 EPS - side by side | 800 2012 | F |
| | | A Ranger 800 XP - side by side | 800 2010 | F |
| | | A Polaris Razor XP900 - side by side | 900 2012 | F |
| | | A Ranger 900 D 4x4 Diesel - side by side | 900 2011 | F |
| | | A Ranger 900 RZR XP - side by side | 900 2011 | 2012 F |
| FDB2264 | MBK | B YW Z | 125 2010 | F |
| | YAMAHA | B BW's 125 | 125 2010 | F |
| | | B Xenter 125 | 125 2012 | F |
| | | B Xenter 150 | 150 2012 | F |
| | | B X-MAX 250 (Nissan Front Caliper) NO ABS | 250 2010 | F |
| FDB2265 | APRILIA | B CAPONORD 1200 | 1200 2013 | F |
| | BMW | B R nineT | 1170 2014 | F |
| | | B R 1200 GS | 1200 2013 | F |
| | | B R 1200 GS ADVENTURE | 1200 2014 | F |
| | | B R 1200 RT | 1200 2014 | F |
| | DUCATI | B HYPERMOTARD SP 821 (ABS Std) | 821 2013 | F |
| | | B HYPERSTRADA 821 (ABS Std) | 821 2013 | F |
| | | B 899 Panigale (ABS Std) | 898 2014 | F |
| | | B MONSTER 1200 | 1200 2014 | F |
| | MV AGUSTA | B Rivale | 800 2013 | F |
| FDB2266 | KTM | B 125 DUKE | 125 2010 | F |
| | | B 125 DUKE (ABS Std) | 125 2013 | F |
| | | B RC 125 (ABS Std) | 125 2014 | F |
| | | B 200 DUKE (ABS Std) | 200 2013 | F |
| | | B RC 200 (ABS Std) | 200 2014 | F |
| | | B 390 DUKE (ABS Std) | 390 2013 | F |
| | | B RC 390 (ABS Std) | 390 2014 | F |
| FDB2267 | BETA | B EVO 80 | 80 2009 | 2012 R |
| | | B EVO 125 2T | 125 2012 | R |
| | | B EVO 200 2T | 200 2009 | 2012 R |
| | | B Evo 250 (2T) | 250 2009 | 2012 R |
| | | B Evo 250 (4T) | 250 2009 | 2012 R |
| | | B EVO 300 2T/4T | 300 2009 | 2012 R |

B = Bike
A = ATV
S = Snowmobile

B = Bike
A = ATV
S = Snowmobile



| | | | CC | FROM | TO | FRONT / REAR | |
|---------|-------------|---|--|------|------|--------------|-----|
| FDB2268 | HONDA | B | CRE 50 SIX Comp. | 50 | 2007 | 2012 | F |
| | | B | CRM 50 Derapage Comp. | 50 | 2010 | 2012 | F |
| | | B | CRE 125 SIX Comp. | 125 | 2010 | 2011 | F |
| | | B | CRM 125 2T Derapage Comp. | 125 | 2011 | 2012 | F |
| | | B | CRM 125 4T Derapage Comp. | 125 | 2011 | 2012 | F |
| FDB2270 | YAMAHA | A | YXR 700 FA/FB/FD RHINO Side x Side (Parking brake) | 700 | 2011 | 2013 | F |
| | | A | YXR 700 RHINO 4X4 SE (Parking brake) | 700 | 2009 | | F |
| FDB2271 | CAN AM ATV | A | DS 450 (2x4/EFI) | 450 | 2008 | 2012 | F |
| | | A | DS 450 X (2x4/EFI) | 450 | 2008 | 2009 | F |
| | | A | DS 450 Xxc/Xxm | 450 | 2009 | 2012 | F |
| FDB2272 | CAN AM ATV | A | DS 450 (2x4/EFI) | 450 | 2008 | 2012 | R |
| | | A | DS 450 X (2x4/EFI) | 450 | 2008 | 2009 | R |
| | | A | DS 450 Xxc/Xxm | 450 | 2009 | 2012 | R |
| | | A | 4PX Gator 4x2/4x4 4x4 Trail 9345 | | 2004 | 2005 | F/R |
| | | A | HPX 4 x2 (Petrol) Gator | | 2010 | 2011 | F/R |
| | | A | HPX 4 x4 / 4 x 4 Trail (Petrol) - Gator | | 2010 | 2011 | F/R |
| | | A | HPX 4x4 (Diesel) - Gator - (SN040000) | | 2010 | | F/R |
| | | A | HPX Gator 4x2/4x4 9446 | | 2004 | 2008 | F/R |
| | | A | TX Gator Utility 9461 | | 2004 | 2005 | F/R |
| | | A | TX Turf Gator 9462 | | 2004 | 2005 | F/R |
| FDB2273 | CAN AM ATV | A | Outlander 500 4 x 4 (STD/DPS/XT) - right side | 500 | 2013 | | F/R |
| | | A | Outlander Max 500 4 x 4 (STD/DPS/XT) - right side | 500 | 2013 | | F/R |
| | | A | Renegade 500 (STD) - right side | 500 | 2012 | 2013 | F/R |
| | | A | Outlander 650 4 x 4 (STD/DPS/XT) - right side | 650 | 2013 | | F/R |
| | | A | Outlander 800 R 4 x 4 (STD/DPS/XT/XT-P) - right side | 800 | 2013 | | F/R |
| | | A | Outlander 800 R STD - right side | 800 | 2012 | | F/R |
| | | A | Outlander 800 R XT - right side | 800 | 2012 | 2013 | F/R |
| | | A | Renegade 800 R STD - right side | 800 | 2012 | 2013 | F/R |
| | | A | Renegade 800 R Xxc - right side | 800 | 2012 | 2013 | F/R |
| | | A | Outlander 1000 4 x 4 (DPS/XT/XT-P) - right side | 1000 | 2013 | | F/R |
| | | A | Outlander 1000 4 x 4 (LTD) - right side | 1000 | 2013 | | F/R |
| | | A | Outlander 1000 4 x 4 (XMR) - right side | 1000 | 2013 | | F/R |
| | | A | Outlander 1000 STD - right side | 1000 | 2012 | 2013 | F/R |
| | | A | Outlander 1000 XT - right side | 1000 | 2013 | | F/R |
| | | A | Outlander Max 1000 4 x 4 (DPS/XT/XT-P) - right side | 1000 | 2013 | | F/R |
| | | A | Renegade 1000 STD - right side | 1000 | 2013 | | F/R |
| | | A | Renegade 1000 Xxc - right side | 1000 | 2013 | | F/R |
| FDB2274 | CAN AM ATV | A | Outlander 500 4 x 4 (STD/DPS/XT) - left side | 500 | 2013 | | F |
| | | A | Outlander Max 500 4 x 4 (STD/DPS/XT) - left side | 500 | 2013 | | F |
| | | A | Renegade 500 (STD) - left side | 500 | 2012 | 2013 | F |
| | | A | Outlander 650 4 x 4 (STD/DPS/XT) - left side | 650 | 2013 | | F |
| | | A | Outlander 800 R 4 x 4 (STD/DPS/XT/XT-P) - left side | 800 | 2013 | | F |
| | | A | Outlander 800 R STD - left side | 800 | 2012 | | F |
| | | A | Outlander 800 R XT - left side | 800 | 2012 | 2013 | F |
| | | A | Renegade 800 R STD - left side | 800 | 2012 | 2013 | F |
| | | A | Renegade 800 R Xxc - left side | 800 | 2012 | 2013 | F/R |
| | | A | Outlander 1000 4 x 4 (DPS/XT/XT-P) - left side | 1000 | 2013 | | F |
| | | A | Outlander 1000 4 x 4 (LTD) - left side | 1000 | 2013 | | F |
| | | A | Outlander 1000 4 x 4 (XMR) - left side | 1000 | 2013 | | F |
| | | A | Outlander 1000 STD - left side | 1000 | 2012 | 2013 | F/R |
| | | A | Outlander 1000 XT - left side | 1000 | 2013 | | F/R |
| | | A | Outlander Max 1000 4 x 4 (DPS/XT/XT-P) - left side | 1000 | 2013 | | F |
| | | A | Renegade 1000 STD - left side | 1000 | 2013 | | F/R |
| | | A | Renegade 1000 Xxc - left side | 1000 | 2013 | | F/R |
| FDB2275 | HONDA | B | CBR 125 R (5 Bolt Front Disc Fitting) | 125 | 2011 | 2013 | R |
| | | B | CRF 250 LD | 250 | 2013 | | R |
| FDB2276 | POLARIS ATV | A | XP Sportsman 500 | 500 | 2009 | 0000 | F/R |
| | | A | Sportsman 550 | 550 | 2011 | 2012 | F/R |
| | | A | Sportsman EPS 550 | 550 | 2010 | 2012 | F/R |
| | | A | Sportsman Forest 550 | 550 | 2010 | 2012 | F/R |
| | | A | Sportsman Touring EPS 550 | 550 | 2010 | 2012 | F/R |
| | | A | Sportsman X2 550 | 550 | 2010 | 2011 | F/R |
| | | A | Sportsman X2 550 | 550 | 2010 | 0000 | F/R |
| | | A | XP Sportsman EPS 500 | 550 | 2009 | 2011 | F/R |
| | | A | Sportsman Forest 800 | 800 | 2012 | 0000 | F/R |
| | | A | Sportsman Forest 850 | 850 | 2012 | 0000 | F/R |
| | | A | Sportsman Touring EPS 850 | 850 | 2010 | 2012 | F/R |
| | | A | XP EPS Sportsman 850 | 850 | 2009 | 2012 | F/R |
| | | A | XP Sportsman 850 | 850 | 2009 | 2012 | F/R |
| FRP213 | TRIUMPH | B | BONNEVILLE T 400 V E | 400 | 1982 | 1984 | F |
| | | B | TRIDENT T1 500 V | 500 | 1982 | 1984 | F |
| | | B | THUNDERBIRD 650 | 650 | 1982 | 1984 | F |
| | | B | BONNEVILLE 750 TWIN (Lockheed callipers) | 750 | 1982 | 1984 | F |
| | | B | TIGER 750 TR 7V | 750 | 1976 | 1981 | F |
| FRP405 | APRILIA | B | RS 50 / TUONO 50 | 50 | 2006 | 2008 | R |
| | | B | SX 50 | 50 | 2008 | | R |
| | | B | TX 125 M | 125 | 1986 | | F |
| | | B | TX 300 | 300 | 1986 | | F |



| | | | CC | FROM | TO | FRONT / REAR | |
|-----------|-----------|---|---------------------------------------|------|------|--------------|-----|
| ATK (USA) | BETA | B | TX 300 M | 300 | 1986 | | F |
| | | B | TX 311 M | 312 | 1987 | | F |
| | | B | TX 312 M | 312 | 1988 | | F/R |
| | | B | TXR 312 M | 312 | 1988 | | F/R |
| | | B | all models 1987 | | 1987 | | R |
| | | B | EIKON 50 | 50 | 1999 | | F/R |
| | | B | Pro Race 50 | 50 | 2005 | | F |
| | | B | REV 50 | 50 | 2000 | | F/R |
| | | B | RR 50 all models | 50 | 1999 | | R |
| | | B | RR 50 Enduro Standard | 50 | 2009 | 2012 | F |
| BULTACO | CAGIVA | B | RR 50 Motard Standard | 50 | 2009 | 2012 | F |
| | | B | RR 50 PRO RACE | 50 | 1998 | | R |
| | | B | RR 50 Standard | 50 | 2005 | 2008 | R |
| | | B | SUPERMOTARD 50 | 50 | 2000 | | F/R |
| | | B | SUPERTRIAL 50 | 50 | 1992 | | F/R |
| | | B | TECHNO 50 | 50 | 1996 | | F/R |
| | | B | TR 50 (SPAIN) | 50 | 1989 | | F |
| | | B | EVO 80 Junior | 80 | 2009 | 2012 | F/R |
| | | B | REV 80 | 80 | 2000 | 2007 | F/R |
| | | B | ALP 125 4T | 125 | 1999 | 2003 | F/R |
| DERBI | FANTIC | B | R-125 (Pit Bike) / R125 Minimotard 4T | 125 | 2008 | | R |
| | | B | RE 125 4T Enduro | 125 | 2010 | 2012 | F |
| | | B | TR 35 125 | 125 | 1990 | | F/R |
| | | B | TRIAL 125 | 125 | 1997 | | F |
| | | B | ALP 200 4T | 200 | 2000 | 2003 | F/R |
| | | B | ALP 240 | 240 | 1996 | | F |
| | | B | SUPERTRIAL 240 | 240 | 1992 | | F |
| | | B | ALP 250 | 250 | 1997 | | F/R |
| | | B | TECHNO 250 | 250 | 1996 | | F/R |
| | | B | TR 35 250 | 250 | 1990 | 1991 | F/R |
| GARELLI | GASGAS | B | LOBITO 50 | 50 | 1998 | | R |
| | | B | SHERCO 250 | 250 | 1999 | | F/R |
| | | B | CORSA 50 | 50 | 1998 | | F |
| | | B | MANTIS 50 | 50 | 1998 | | F |
| | | B | MITO 50 | 50 | 1998 | | R |
| | | B | PROGRESS 50 | 50 | 1997 | | F |
| | | B | FDS 50 | 50 | 1986 | | F |
| | | B | FENIX 50 | 50 | 1994 | | F |
| | | B | GP1 50 | 50 | 2002 | 2006 | F |
| | | B | GP1 50 OPEN | 50 | 2007 | | R |
| GILERA | HUSQVARNA | B | GPR 50 R/REPLICA | 50 | 1997 | 2005 | R |
| | | B | GPR 50 Race Replica | 50 | 2008 | 2009 | R |
| | | B | HUNTER 50 | 50 | 1995 | | F |
| | | B | PADDOCK 50 ST | 50 | 1996 | | F |
| | | B | PROGRESS 50 | 50 | 1997 | | F |
| | | B | SENDA 50 | 50 | 1994 | | F |
| | | B | SENDA DRD PRO 50 | 50 | 2005 | 2007 | R |
| | | B | SENDA DRD RACING R 50 | 50 | 2005 | | R |
| | | B | SENDA DRS 50 Racing | 50 | 2008 | | F/R |
| | | B | SPORT EDITION 50 | 50 | 1995 | | F |
| ITALJET | GILERA | B | SUPER MOTARD 50 | 50 | 2001 | | F/R |
| | | B | GPR 80 CUP Criterium Derbi Malossi | 80 | 2008 | | R |
| | | B | GPR 125 / NUDE (Radial Caliper) | 125 | 2004 | 2009 | R |
| | | B | SENDA 125 R 4T | 125 | 2005 | | R |
| | | B | TRIAL 50 .5 | 50 | 1989 | | F/R |
| | | B | TRIAL 50 .7 | 50 | 1990 | | F/R |
| | | B | TRIAL 50 .9 | 50 | 1991 | | F/R |
| | | B | TRIAL 125 .5 | 125 | 1989 | | F/R |
| | | B | TRIAL 125 .9 | 125 | 1991 | | F/R |
| | | B | TRIAL 249 | 249 | 1990 | | F/R |
| GILERA | GILERA | B | COACH 250 | 250 | 1991 | | F |
| | | B | K-ROO 250 | 250 | 1991 | | F/R |
| | | B | TRIAL 305 | 305 | 1989 | | F/R |
| | | B | TRIAL 307 | 307 | 1990 | 1991 | F/R |
| | | B | SAHEL 50 | 50 | 1991 | | R |
| | | B | SAHEL 80 | 80 | 1989 | | R |
| | | B | TRIAL 320 | 320 | 1986 | | F |
| | | B | PAMPERA 250 | 250 | 1996 | 2001 | F/R |
| | | B | TX 270 | 270 | 2000 | 1999 | F/R |
| | | B | GSM 50 / H @ K 50 | 50 | 2000 | 2003 | F/R |
| HUSQVARNA | ITALJET | B | RCR 50 | 50 | 2005 | | F/R |
| | | B | SMT 50 | 50 | 2005 | | F/R |
| | | B | WRS 50 (SCOOTER) | 50 | 1998 | 2000 | F |
| | | B | DRAGSTER 50 | 50 | 1998 | 2003 | F/R |
| | | B | FORMULA 50 | 50 | 1997 | 2003 | F/R |
| ITALJET | ITALJET | B | RG 50 | 50 | 1998 | | F |
| | | B | TORPEDO 50 | 50 | 1997 | | F |
| | | B | DRAGSTER 125 | 125 | 1999 | | F |



CC FROM TO FRONT / REAR

...FRP405

| CC | FROM | TO | FRONT / REAR |
|-----------------|---|---------------|--------------|
| B | DRAGSTER 125 | 125 2000 2003 | F/R |
| B | FORMULA 125 | 125 1997 2003 | F/R |
| B | TORPEDO 125 | 125 1999 2003 | F |
| B | TWIN 125 | 125 1998 2000 | F/R |
| B | DRAGSTER 180 | 180 1999 | F |
| B | DRAGSTER 180 | 180 2000 2003 | F/R |
| KTM | SX 60 | 60 1998 1999 | F |
| B | SX 60 / 65 | 60 2000 2001 | F |
| MACAL | TR 50 TROPHY H ^o O | 50 1999 | F |
| MALAGUTI | CR1 50 CROSSER | 50 1996 | F |
| B | DRAKON 50 NKD | 50 2005 | R |
| B | XSM 50 SUPERMOTARD | 50 2003 | R |
| B | XTM 50 / XSM 50 | 50 2003 | F/R |
| B | X3M Enduro 125 | 125 2008 | F/R |
| B | X3M Motard 125 | 125 2008 | R |
| MONTESA | EVASION 260 | 260 1994 | F/R |
| B | COTA 310 | 310 1990 | F/R |
| B | COTA 314 R | 314 1994 | F |
| B | COTA 315 R | 315 1998 | F |
| B | COTA 335 | 335 1987 | F/R |
| MONTESA (HONDA) | MH 311 260 | 260 1992 1993 | F |
| B | MH 314 R | 314 1994 1997 | F |
| B | MH 315 R | 315 1998 2000 | F |
| MOTORHISPANIA | MX 50 FURIA | 50 2000 | F/R |
| B | RX 50 RACING | 50 2000 | R |
| PEUGEOT | Blaster Iceblade 50 (2T/12" Wheels) | 50 2010 2012 | F/R |
| B | Blaster RS 12 50 (2T) | 50 2010 2011 | F/R |
| B | ELYSEO 50 | 50 1998 2002 | F |
| B | ELYSEO 50 | 50 2003 | F/R |
| B | Jet C Tech 50 | 50 2011 2012 | F/R |
| B | Jet Darkside 50 (2T) | 50 2011 | F/R |
| B | JET FORCE 50 | 50 2003 | F/R |
| B | Jet H2i 50 (2T -Air Cooled) | 50 2011 2012 | F |
| B | Jet H2i 50 (2T-L/C) | 50 2011 2012 | F/R |
| B | Jet Iceblade 50 (2T) | 50 2011 | F/R |
| B | LOOXOR 50 | 50 2001 | F |
| B | LooXoR 50 TSDI (Rear disc) | 50 2006 | F/R |
| B | Ludix 2 Trend 50cc (2T/12" wheels) | 50 2007 2012 | F |
| B | Ludix Acid | 50 2006 | F |
| B | Ludix Blaster (10" Wheels) | 50 2005 2009 | F |
| B | Ludix Pro (4T / 14" Wheels/AJP Caliper) | 50 2011 | F |
| B | Ludix Red Zone | 50 2006 | F |
| B | Ludix Urban Track | 50 2006 2007 | F |
| B | SPEEDFIGHT 50 (liquid cooled AJP caliper) | 50 1998 2000 | F/R |
| B | SPEEDFIGHT 50 M (AJP caliper) | 50 1997 1998 | F |
| B | SQUAB 50 | 50 1996 2001 | F |
| B | TRK 50 (2T/10? Wheels) | 50 2009 2012 | F |
| B | TRK 50 12 (2T/12? Wheels) | 50 2009 2012 | F |
| B | Vivacity 2 50 (AJP Caliper/10" Wheels/190mm Disc) | 50 2008 2011 | F |
| B | VIVACITY 50 . | 50 1998 2003 | F |
| B | X FIGHT 50 (liquid cooled) | 50 2000 | F/R |
| B | X FIGHT 50 M | 50 2000 | F |
| B | XPS 50 Top Road (17? F/Wheel) | 50 2010 2012 | R |
| B | XPS 50 Track (21? F/Wheel) | 50 2011 2012 | R |
| B | XR 6 50 | 50 2002 | R |
| B | ZENITH 50 | 50 1996 2000 | F |
| B | ELYSEO 100 | 100 1998 | F |
| B | ELYSEO 100 | 100 1999 2002 | F |
| B | ELYSEO 100 | 100 2003 | F/R |
| B | LOOXOR 100 | 100 2001 | F/R |
| B | TREKKER 100 | 100 1998 | F |
| B | VIVACITY 100 . | 100 1998 | F |
| B | X FIGHT 100 (liquid cooled) | 100 2000 | F/R |
| B | X FIGHT 100 M | 100 2000 | F |
| B | ELYSEO 125 | 125 1998 2000 | F |
| B | LOOXOR 125 / 150 | 125 2003 | R |
| B | LUDIX 125 | 125 2004 | F |
| B | SATELIS 125 | 125 2006 | R |
| B | XP 125 Street Evo 2 | 125 2005 | R |
| B | XPS 125 CT | 125 2005 2007 | F/R |
| B | ELYSEO 150 | 150 2000 | F |
| B | XPS 6 SUPERMOTARD | 600 2003 | R |
| RIEJU | MRX 50 | 50 2003 2008 | F/R |
| B | MRX 50 CASTROL | 50 2001 2002 | R |
| B | MRX 50 PRO / TOP | 50 2004 2008 | R |
| B | NKD 50 | 50 2007 | R |
| B | RR 50 CASTROL | 50 2000 2002 | R |
| B | RR 50 SPORT | 50 2003 2006 | F/R |



CC FROM TO FRONT / REAR

| CC | FROM | TO | FRONT / REAR | |
|-----------|--------------------------------------|---------------|---------------|---|
| B | RR 50 THUNDERFIRE | 50 1997 2002 | F/R | |
| B | RS1 50 | 50 1997 2000 | F/R | |
| B | RS1 50 | 50 2001 2004 | R | |
| B | RS2 50 | 50 2009 | R | |
| B | RS2 50 PRO (AJP) | 50 2006 2008 | F/R | |
| B | RS2 MATRIX 50 (AJP) | 50 2002 2008 | R | |
| B | RS2 NKD | 50 2005 | R | |
| B | SMX 50 | 50 2002 | F/R | |
| B | SMX 50 PRO | 50 2004 | R | |
| B | SPIKE 50 | 50 2004 | F/R | |
| B | SPIKE 50 MOTARD | 50 2004 | R | |
| B | TANGO 50 / TANGOO! 50 | 50 2007 | R | |
| B | TANGO 50 Motard | 50 2009 | R | |
| B | MRX 125 | 125 2002 2008 | R | |
| B | NKD 125 | 125 2006 2007 | R | |
| B | RS2 125 (AJP) | 125 2006 2008 | R | |
| B | RS2 125 / PRO | 125 2009 | R | |
| B | RS3 125 | 125 2009 | R | |
| B | SMX 125 | 125 2002 2007 | R | |
| B | SMX 125 / Street | 125 2007 | R | |
| B | TANGO 125 / PRO | 125 2006 2010 | R | |
| B | TANGO 250 | 250 2008 2011 | R | |
| SIMSON | SR 50 /1 GAMMA | 50 1994 | F | |
| B | SR 50 GAMMA E | 50 1994 | F | |
| B | SR 50 XC/XCE | 50 | F | |
| B | SR 80 /1 GAMMA | 80 1994 | F | |
| B | SR 80 XCE | 80 | F | |
| SUZUKI | AY 50 W KATANA | 50 1998 | F | |
| B | AY 50 WR KATANA | 50 1998 | F | |
| B | DR 50 BIG | 50 1989 | F | |
| B | RMX 50 | 50 2000 2001 | F/R | |
| B | SMX 50 SUPER MOTARD | 50 2000 2003 | F/R | |
| B | UF 50 ESTILETE | 50 2000 2002 | F | |
| B | UX 50 ZILLION | 50 1998 2002 | F | |
| YAMAHA | DT 50 R | 50 2002 2007 | R | |
| B | TZR 50 /Race Replica 07 | 50 2004 | R | |
| B | TY 250 R | 250 1991 1993 | F | |
| FRP408 | APRILIA | B RS 250 | 250 1995 1996 | F |
| B | RS 250 | 250 1997 | F | |
| ATK (USA) | B 500 / 600 Dirt Track | 500 1998 1999 | F | |
| BETA | B JONATHAN 125 | 125 1999 2001 | F | |
| B | JONATHAN 125 | 125 2002 2005 | F | |
| B | EURO / JONATHAN 350 | 350 2003 2006 | F | |
| B | EURO 350 | 350 1999 2001 | F | |
| B | EURO 350 | 350 2002 | F | |
| BIMOTA | B YB 7 400 | 400 1989 | F | |
| B | V DUE 500 | 500 1997 | F | |
| B | BELLARIA 600 SPORT | 600 1991 | F | |
| B | YB 9 600 SRI | 600 1997 | F | |
| B | SUPERMONO 650 | 650 1997 | F | |
| B | SB 7 750 | 750 1996 | F | |
| B | YB 4 750 | 750 1989 | F | |
| B | TESI 851 1D | 851 1991 | F | |
| B | DB 1 - 2 900 | 900 1992 | F | |
| B | MANTRA 900 | 900 1997 | F | |
| B | DB 2 SR 904 | 904 1994 2000 | F | |
| B | DB 4 904 | 904 1998 1999 | F | |
| B | TESI 906 1D | 906 1991 | F | |
| B | YB 10 1000 BIPOSTO | 1000 1992 | F | |
| B | YB 11 1000 | 1000 1997 | F | |
| B | YB 6 1000 | 1000 1989 | F | |
| B | YB 8 1000 E | 1000 1990 | F | |
| B | YB 8 1000 E.I. FURANO | 1000 1990 | F | |
| B | YB 8 FURANO 1000 | 1000 1992 | F | |
| B | YB 10 DIECI 1002 | 1002 1991 | F | |
| B | SB 6 1100 | 1100 1997 | F | |
| CAGIVA | B MITO 125 | 125 1993 | F | |
| B | MITO 2 125 PRODUCTION RACER / Trofeo | 125 1994 | F | |
| B | MITO 525SP | 125 2007 | F | |
| B | PLANET 125 | 125 1998 | F | |
| B | RAPTOR 125 | 125 2003 | F | |
| B | RIVER 600 | 600 1994 | F | |
| DUCATI | B 502 SINGLE | 50 1993 1999 | F | |
| B | 502 SUPERMONO | 50 1993 1999 | F | |
| B | 400 MONSTER | 400 1995 1997 | F | |
| B | SS 400 JUNIOR | 400 1992 | F | |
| B | SS 400 NUDA | 400 1992 | F | |
| B | 550 SUPERMONO | 550 1993 1999 | F | |

B = Bike
A = ATV
S = Snowmobile

B = Bike
A = ATV
S = Snowmobile



...FRP408

| | | CC | FROM | TO | FRONT / REAR | |
|------------|-------------------------------|-----------------------|------|------|--------------|---|
| B | 600 SUPERSPORT CARENATA | 600 | 1994 | 1999 | F | |
| B | 600 SUPERSPORT NUDA | 600 | 1994 | 1999 | F | |
| B | M 600 MONSTER | 600 | 1993 | 1999 | F | |
| B | 748 BIPOSTO | 748 | 1995 | 1997 | F | |
| B | 750 ENDURANCE | 750 | 1987 | | F | |
| B | 750 LAGUNA SECA | 750 | 1987 | | F | |
| B | 750 SUPERSPORT | 750 | 1992 | 1997 | F | |
| B | M 750 MONSTER | 750 | 1996 | 1999 | F | |
| B | SS 750 CARENATA | 750 | 1993 | 1998 | F | |
| B | SS 750 NUDA | 750 | 1992 | 1998 | F | |
| B | 851 all models | 851 | 1988 | 1992 | F | |
| B | 888 all models | 888 | 1992 | 1995 | F | |
| B | 900 all models | 900 | 1992 | 1998 | F | |
| B | 900 I.E. PASO | 900 | 1992 | 1998 | F | |
| B | 900 SUPERMONO DESMO 4 | 900 | 1993 | 1995 | F | |
| B | M 900 MONSTER | 900 | 1993 | 1999 | F | |
| B | 916 STRADA / SENNA / SP / SPS | 916 | 1994 | 1997 | F | |
| GASGAS | B FSE 450 SM | 450 | 2003 | | F | |
| GILERA | B SATURNO 500 PIUMA | 500 | 1990 | | F | |
| HONDA | B TSR 250 | 250 | 1999 | | F | |
| HUSABERG | B FE 600 SUPERMOTARD | 600 | 2000 | 2007 | F | |
| HUSQVARNA | B SM 450 R | 450 | 2004 | 2006 | F | |
| | B SM 510 R | 510 | 2004 | 2006 | F | |
| | B SM 570 R | 570 | 2004 | | F | |
| | B SMR 630 | 630 | 2004 | 2006 | F | |
| ITALJET | B GRIFON 900 | 900 | 2001 | | F | |
| KTM | B LC2 STING 125 | 125 | 1998 | | F | |
| | B THE DUKE 400 | 400 | 1994 | 1998 | F | |
| | B THE DUKE 620 | 620 | 1994 | 1998 | F | |
| LAVERDA | B 650 (all models) | 650 | 1995 | 1996 | F | |
| | B LYNX 650 | 650 | 2000 | | F | |
| | B GHOST - DIAMANTE 668 | 668 | 1997 | 1998 | F | |
| | B 750 S (all models) | 750 | 1999 | | F | |
| | B CUP 750 | 750 | 1998 | | F | |
| | B DIAMANTE 750 | 750 | 1997 | | F | |
| | B TTS 800 | 800 | 1999 | | F | |
| | B JOTA 1000 | 1000 | 1995 | | F | |
| MOTO GUZZI | B CALIFORNIA 1000 EV | 1000 | 1999 | 2001 | F | |
| | B CENTAURO 1000 | 1000 | 1996 | 1999 | F | |
| | B DAYTONA 1000 | 1000 | 1991 | 1994 | F | |
| | B DAYTONA 1000 | 1000 | 1995 | 1998 | F | |
| | B CALIFORNIA 1100 | 1100 | 1997 | 2001 | F | |
| | B CENTAURO 1100 V11 SPORT | 1100 | 1999 | 2000 | F | |
| | B SPORT 1100 | 1100 | 1994 | 1999 | F | |
| MZ | B SKORPION REPLICA | 660 | 1995 | | F | |
| NORTON | B FORMULA 1 | 588 | 1989 | 1991 | F | |
| | B FORMULA 1 SPORT | 588 | 1992 | | F/R | |
| TM | B SMR 125 (2T) | 125 | 2005 | 2011 | F | |
| | B SM 250 | 250 | 2002 | 0000 | F | |
| | B SME 250 (4T) | 250 | 2004 | 0000 | F | |
| | B SMM 250 (2T) | 250 | 2005 | 2011 | F | |
| | B SMR 250 (2T) | 250 | 2005 | 2011 | F | |
| | B SMM 300 (2T) | 300 | 2005 | 2011 | F | |
| | B SMR 300 (2T) | 300 | 2005 | 2011 | F | |
| | B SM 400 | 400 | 2002 | 2003 | F | |
| | B SME 400 (4T) | 400 | 2004 | 0000 | F | |
| | B SMR 450 FES | 450 | 2005 | 2009 | F | |
| | B 530 (4T) Cross | 530 | 2002 | 2003 | F | |
| | B SM 530 | 530 | 2002 | 2003 | F | |
| | B SME 530 (4T) | 530 | 2004 | 0000 | F | |
| | B SMR 530 F ES | 530 | 2005 | 2009 | F | |
| | B SMX 660 F | 660 | 2004 | 0000 | F | |
| YAMAHA | B TZR 125 (Italia) | 125 | 1991 | | F | |
| | B TZR 125 RED ROCKET | 125 | 1993 | | F | |
| | B TZR 250 R | 250 | 1994 | | F | |
| | B SZR 660 | 660 | 1996 | 1997 | F | |
| FRP416 | HONDA | B CRM 125 (Italy) | 125 | 1989 | 1999 | R |
| | B NSR 125 R - F | 125 | 1989 | 1992 | R | |
| | B NSR 125 RAIDEN | 125 | 1990 | 1992 | R | |
| | HONDA-HM ITALIA | B NSR 125 R | 125 | 1989 | R | |
| | RIEJU | B MARATHON 450 Motard | 450 | 2010 | F | |
| FSB700 | BMW | B R 45 450 | 450 | 1978 | 1981 | R |
| | B R 50/5 500 | 500 | 1969 | 1975 | R | |
| | B R 60/5 600 | 600 | 2000 | | R | |
| | B R 60/6 600 | 600 | 2000 | | R | |
| | B R 60/7 600 | 600 | 1976 | 1978 | R | |
| | B R 65 650 | 650 | 2000 | | R | |
| | B R 75/5 750 | 750 | 2000 | | R | |



FRONT / REAR

| | | CC | FROM | TO | FRONT / REAR | |
|---------|-------------------------------|-------------------------|------|------|--------------|-----|
| | | B R 75/6 750 | 750 | 1975 | 1979 | R |
| | | B R 80 800 all models | 800 | 1977 | 1981 | R |
| | | B R 90 900 S | 900 | 1973 | 1976 | R |
| | | B R 90/6 900 | 900 | 1973 | 1976 | R |
| | | B R 100 1000 all models | 1000 | 2000 | | R |
| FSB701 | BMW | B R 45 450 | 450 | 1981 | 1985 | R |
| | B R 65 650 | 650 | 1989 | 2000 | R | |
| | B R 65 650 GS | 650 | 1987 | 1988 | R | |
| | B R 65 650 GS | 650 | 1989 | 1992 | R | |
| | B R 65 650 LS | 650 | 1981 | 1985 | R | |
| | B R 80 800 all models | 800 | 1982 | 1984 | R | |
| | B R 80 800 all models | 800 | 1985 | 1989 | R | |
| | B R 80 800 all models | 800 | 1989 | 1995 | R | |
| | B R 80 800 GS / PARIS-DAKAR | 800 | 1981 | 1986 | R | |
| | B R 80 800 GS / PARIS-DAKAR | 800 | 1987 | 1995 | R | |
| | B R 80 RT | 800 | 1990 | 1994 | R | |
| | B R 100 1000 all models | 1000 | 1981 | 1989 | R | |
| | B R 100 1000 GS / PARIS-DAKAR | 1000 | 1987 | 1994 | R | |
| FSB702 | HONDA | B CRF 50R | 50 | 2004 | | F/R |
| | B NB 50 | 50 | 1985 | | F | |
| | B NB 50 DELUX | 50 | 1982 | | F | |
| | B NB 50 MELODY | 50 | 1982 | | F | |
| | B NB 50 MSB | 50 | 1982 | | F | |
| | B NC 50 A | 50 | 1982 | | F/R | |
| | B NC 50 B | 50 | 1982 | | F/R | |
| | B NC 50 C | 50 | 1982 | | F/R | |
| | B NC 50 EXPRESS 2 | 50 | 1982 | | F/R | |
| | B NC 50 EXPRESS 3 | 50 | 1982 | | F/R | |
| | B NC 50 KI | 50 | 1979 | | F/R | |
| | B NC 50 Z EXPRESS | 50 | 1979 | | F/R | |
| | B ND 50 | 50 | 1982 | | F | |
| | B ND 50 MELODY 2 all models | 50 | 1982 | | F | |
| | B NE 50 VISION | 50 | 1985 | | F | |
| | B NP 50 D MELODY MINI | 50 | 1983 | | F | |
| | B NX 50 A | 50 | 1982 | | F | |
| | B NX 50 B | 50 | 1982 | | F | |
| | B NX 50 MB CAREN | 50 | 1982 | | F | |
| | B OR 50 | 50 | 1993 | | F | |
| | B PC 50 KI | 50 | 1979 | | F/R | |
| | B QR 50 | 50 | 1993 | | F | |
| | B QR 50 ED | 50 | 1982 | 1990 | F | |
| | B SA 50 ELITE LX | 50 | 1988 | 1990 | F | |
| | B XR 50 R | 50 | 2000 | | F/R | |
| | B Z 50 all models | 50 | 1979 | 1991 | F/R | |
| PEUGEOT | B ST 50 | 50 | | | F | |
| | B STL 2 50 | 50 | | | F | |
| SUZUKI | B DR-Z 70 | 70 | 2008 | | F/R | |
| FSB703 | HERCULES (SACHS) | B LIMBO 50 | 50 | 1993 | | F |
| | HONDA | B NB 50 | 50 | 1985 | | R |
| | B NB 50 DELUX | 50 | 1982 | | R | |
| | B NB 50 MELODY | 50 | 1982 | | R | |
| | B NB 50 MSB | 50 | 1982 | | R | |
| | B ND 50 | 50 | 1982 | | R | |
| | B ND 50 MELODY 2 all models | 50 | 1982 | | R | |
| | B NE 50 VISION | 50 | 1985 | | R | |
| | B NH 50 LEAD | 50 | 1988 | 1992 | R | |
| | B NH 50 LEAD | 50 | 1993 | 1994 | R | |
| | B NH 50 LEAD | 50 | 1994 | | R | |
| | B NH 50 LEAD | 50 | 2000 | | R | |
| | B NP 50 D MELODY MINI | 50 | 1983 | | R | |
| | B NU 50 MC RUNAWAY | 50 | 1982 | | R | |
| | B NV 50 MSD STREA | 50 | 1984 | | F/R | |
| | B NX 50 A | 50 | 1982 | | R | |
| | B NX 50 B | 50 | 1982 | | R | |
| | B NX 50 MB CAREN | 50 | 1982 | | R | |
| | B OR 50 | 50 | 1993 | | R | |
| | B PX 50 all models | 50 | 1982 | 1983 | R | |
| | B QR 50 ED | 50 | 1982 | 1990 | R | |
| | B SA 50 ELITE LX | 50 | 1988 | 1990 | R | |
| | B NH 80 LEAD | 80 | 1988 | | R | |
| | B NH 80 LEAD | 80 | 2000 | | R | |
| | B NH 80 LEAD AERO | 80 | 1983 | 1984 | R | |
| | B NH 80 LEAD M D AERO | 80 | 1983 | 1986 | R | |
| | B NH 80 LEAD SCOOTER | 80 | 1985 | | R | |
| | B NH 80 LEAD SCOOTER | 80 | 1986 | 1987 | R | |
| PEUGEOT | B METROPOLIS 50 | 50 | | | R | |
| | B SC 50 | 50 | | | R | |
| | B ST 50 | 50 | | | R | |

3052

B = Bike
A = ATV
S = Snowmobile

Updated on 30th Jan 2014

B = Bike
A = ATV
S = Snowmobile



CC FROM TO FRONT / REAR

| Model | Year | CC | FROM | TO | FRONT / REAR | |
|------------------|------|-----------------------------|------|------|--------------|-----|
| ...FSB703 | B | STL 2 50 | 50 | | R | |
| | B | SC 75 | 75 | | R | |
| | B | SX 75 | 75 | | R | |
| | B | METROPOLIS 80 | 80 | | R | |
| | B | SX 80 | 80 | | R | |
| PGO | B | STAR 2 50 | 50 | 1994 | R | |
| | B | STAR 50 | 50 | 2000 | R | |
| | B | BIG MAX 80 | 80 | | R | |
| | B | STAR 80 | 80 | 1990 | R | |
| SYM | B | FIDDLE 50 | 50 | 1999 | R | |
| FSB704 | B | PASSING 125 | 125 | 1993 | 1997 | R |
| CAGIVA | A | CXL 150 Yukon II/Challenger | 150 | 2002 | 2009 | F |
| E-TON ATV | A | RXL 150 Viper | 150 | 2005 | 2006 | F |
| | A | RXL 150 Viper R | 150 | 2005 | 2009 | F |
| | A | YXL 150 Yukon | 150 | 2000 | 2002 | F |
| HERCULES (SACHS) | B | GIPSY 50 | 50 | 1993 | | R |
| | B | LIMBO 50 | 50 | 1993 | | R |
| | B | SAMBA SR 50 | 50 | 1993 | | F/R |
| | B | SAMBA SR 80 | 80 | 1993 | | R |
| | B | SAMBA SR 125 | 125 | 1993 | | R |
| HONDA | B | C 50 Z2 ZZ ZA | 50 | 1975 | 1993 | F/R |
| | B | CB 50 J all models | 50 | 1981 | | F/R |
| | B | CF 50 CHALY | 50 | 1979 | | F/R |
| | B | DAX 50 | 50 | 1993 | 1996 | F/R |
| | B | MONKEY 50 | 50 | 1988 | | R |
| | B | NH 50 LEAD | 50 | 1993 | 1994 | F |
| | B | NH 50 LEAD | 50 | 2000 | | F |
| | B | PK 50 WALLAROO DX - STD | 50 | 1990 | 2001 | R |
| | B | QA 50 K1/3 | 50 | 1987 | 1990 | F/R |
| | B | SFX 50 | 50 | 1995 | | R |
| | B | SH 50 CITY EXPRESS | 50 | 1984 | 1996 | F |
| | B | SH 50 SCOOPY / FIFTY | 50 | 1997 | 2003 | R |
| | B | SJ 50 BALI | 50 | 1993 | 1999 | R |
| | B | SKY 50 | 50 | 1997 | | R |
| | B | SKY 50 VETRO | 50 | 2000 | | R |
| | B | SS 50 ZB2 | 50 | 1977 | 1980 | R |
| | B | SS 50 ZK2 | 50 | 1975 | 1977 | F/R |
| | B | ST 50 | 50 | 1978 | 1993 | F/R |
| | B | ST 50 DAX | 50 | 1993 | 1996 | F/R |
| | B | VT 50 SHADOW | 50 | 1998 | | R |
| | B | C 70 all models | 70 | 1975 | | F/R |
| | B | CF 70 C | 70 | 1978 | 1979 | F/R |
| | B | CF 70 K2 | 70 | 1978 | 1980 | F/R |
| | B | DAX ST 70 | 70 | 1978 | 1980 | F/R |
| | B | NF 75 | 75 | 1979 | | F/R |
| | B | SA 75 VISION | 75 | 1988 | | F |
| | B | SH 75 SCOOPY | 75 | 1988 | 1995 | F |
| | B | XR 75 K5 | 75 | 1979 | | F |
| | B | YUPY 75 | 75 | 1991 | | R |
| | B | CH 80 ELITE | 80 | 1985 | 1990 | F |
| | B | MBX 80 (ESPANA) | 80 | 1984 | | R |
| | B | NH 80 LEAD | 80 | 2000 | | F |
| | B | NH 80 LEAD AERO | 80 | 1983 | 1984 | F |
| | B | NH 80 LEAD M D AERO | 80 | 1983 | 1986 | F |
| | B | SH 80 | 80 | 1984 | | F |
| | B | SH 80 SCOOPY | 80 | 1988 | | F |
| | B | C 90 C - E - G - M - FG | 90 | 1975 | | F/R |
| | B | C 90 Z2 - ZZ | 90 | 1975 | 1991 | F/R |
| | B | EZ 90 CUB | 90 | 1990 | | F/R |
| | B | VT 90 SHADOW | 90 | 1998 | | R |
| | B | H 100 A - SD | 100 | 1982 | | F/R |
| | B | SH 100 Scoopy | 100 | 1996 | 2001 | R |
| | B | SJ 100 BALI - EX | 100 | 1998 | 1999 | R |
| | B | SUPRA 100 | 100 | 1999 | | R |
| | B | SUPRA 100 | 100 | 2000 | | F/R |
| | B | CT 110 K/M/P | 110 | 1989 | 2003 | F |
| | B | ANF 125 INNOVA | 125 | 2003 | 2011 | R |
| | B | CG 125 | 125 | 1985 | | R |
| | B | CG 125 all models | 125 | 1977 | 1984 | F/R |
| | B | CH 125 SPACY | 125 | 1983 | 1997 | F/R |
| | B | CH 125 SPACY | 125 | 1998 | | R |
| | B | MTX 125 R | 125 | 1987 | 1988 | R |
| | B | MTX 125 RII | 125 | 1989 | | R |
| | B | NH 125 H | 125 | 1983 | | F/R |
| | B | NH 125 LEAD | 125 | 1983 | 1987 | F/R |
| | B | NH 125 LEAD | 125 | 1988 | | R |
| | B | NS 125 F all models | 125 | 1985 | 1990 | R |
| | B | NSR 125 | 125 | 1988 | 1989 | R |



CC FROM TO FRONT / REAR

| Model | Year | CC | FROM | TO | FRONT / REAR | |
|------------------|------|--------------------------------------|------|------|--------------|-----|
| | B | NX 125 (ITALY) | 125 | 1990 | | R |
| | B | XL 125 K3 | 125 | 1979 | | F |
| | B | XL 125 R - S | 125 | 1984 | | F/R |
| | B | CT 200 E - K | 200 | 1984 | 1989 | F |
| | B | MTX 200 R | 200 | 1987 | | R |
| | B | XL 200 R | 200 | 1985 | | R |
| | B | XLR 250 R | 250 | 1985 | 1988 | R |
| HONDA 3 WHEELERS | A | ATC 70 | 70 | 1976 | 1977 | R |
| | A | ATC 125 | 125 | 1984 | 1987 | F |
| | A | ATC 185 | 185 | 1980 | 1983 | F |
| | A | ATC 200 (Drum Brake) | 200 | 1981 | 1986 | F |
| HONDA ATV | A | TRX 90 (Fourtrax/Sportrax/EX/X) | 90 | 1993 | 2009 | F |
| | A | TRX 125 Fourtrax | 125 | 1985 | 1988 | F |
| HONDA-HM ITALIA | B | CB 125 | 125 | 1979 | | R |
| | B | DT 125 | 125 | 1987 | | R |
| | B | MTX 125 R | 125 | 1986 | | R |
| | B | MTX 125 RALLY SPORT | 125 | 1988 | | R |
| | B | NS 125 F | 125 | 1985 | | R |
| | B | NS 125 R SUPER SPORT | 125 | 1987 | | R |
| | B | XL 125 | 125 | 1979 | | F/R |
| | B | XL 125 L PARIS DAKAR | 125 | 1985 | | R |
| | B | XL 125 PARIS DAKAR | 125 | 1984 | 1985 | F/R |
| | B | XL 125 R2 | 125 | 1987 | | R |
| | B | XL 200 L | 200 | 1985 | | R |
| | B | XL 200 L PARIS DAKAR | 200 | 1987 | | R |
| | B | XL 200 R | 200 | 1983 | | F/R |
| | B | XL 200 R PARIS DAKAR | 200 | 1984 | | F/R |
| | B | XL 200 R2 | 200 | 1987 | | R |
| KYMCO | B | ACTIVE 50 | 50 | 2005 | 2006 | R |
| | B | ACTIVE 50 SR | 50 | 2008 | | R |
| | B | AGILITY 50 | 50 | 2004 | 2008 | R |
| | B | AGILITY 50 - R10 / R12 | 50 | 2006 | 2008 | R |
| | B | AGILITY 50 Basic | 50 | 2007 | | F/R |
| | B | AGILITY CITY 50 - 16 " (4T/2T) | 50 | 2008 | | R |
| | B | AGILITY RS Naked 50 2T | 50 | 2010 | | R |
| | B | BET & WIN 50 | 50 | 2002 | 2006 | R |
| | B | COBRA 50 / RACER & CROSS | 50 | 1999 | 2006 | R |
| | B | CURIO 50 | 50 | 1994 | | R |
| | B | CX 50 | 50 | 1993 | | F |
| | B | DINK / GRAND DINK 50 / New Dink | 50 | 1997 | | R |
| | B | DJW 50 | 50 | 1994 | | F |
| | B | DJX 50 | 50 | 1991 | 1992 | F |
| | B | DJY 50 / DJY 50 REFINED | 50 | 1993 | | F |
| | B | FILLY 50 | 50 | 1998 | 2000 | F/R |
| | B | FILLY LX 50 | 50 | 2000 | | R |
| | B | HEROISM 50 | 50 | 1995 | 1997 | R |
| | B | K 12 50 | 50 | 1995 | | R |
| | B | KB 50 | 50 | 1994 | 2000 | R |
| | B | LIKE 50 2T/4T | 50 | 2008 | | R |
| | B | MANBOY 50 | 50 | 1995 | | R |
| | B | SCOUT 50 | 50 | 1998 | | R |
| | B | SENTO 50 | 50 | 2008 | | R |
| | B | SPACER 50 | 50 | 1999 | | R |
| | B | TOP BOY 50 | 50 | 1997 | 2000 | R |
| | B | TOP BOY 50 | 50 | 2000 | | R |
| | B | VITALITY 50 (2T & 4T) | 50 | 2004 | 2006 | R |
| | B | COBRA 100 RACER | 100 | 1999 | 2003 | R |
| | B | TOP BOY 100 | 100 | 1997 | | R |
| | B | LIBERO 111 4T | 111 | 2008 | | R |
| | B | ACTIV 110 / 125 | 125 | 2004 | | R |
| | B | AGILITY 125 | 125 | 2006 | 2008 | R |
| | B | FREEWAY 125 | 125 | 1997 | | F/R |
| | B | HEROISM 125 | 125 | 1995 | 1997 | R |
| | B | FREEWAY 150 | 150 | 1997 | | F/R |
| | B | HEROISM 150 | 150 | 1995 | 1997 | R |
| KYMCO ATV | A | Mxer 50 | 50 | 2003 | | F |
| | A | Mxer - MXU 150 | 150 | 2003 | 2010 | F |
| PEUGEOT | e | Vivacity (Electric) | | 2011 | 2012 | R |
| | e | Vivacity (Electric) | | 2010 | | R |
| | B | BUXI 50 | 50 | 1994 | 1997 | R |
| | B | BUXI RS 50 | 50 | 1994 | 1997 | R |
| | B | ELYSEO 50 | 50 | 1998 | 2002 | R |
| | B | FOX 50 | 50 | 1996 | | R |
| | | Jet H2i 50 (2T -Air Cooled) | 50 | 2011 | 2012 | R |
| | | Kisbee 50 (4T) | 50 | 2010 | 2012 | R |
| | | Kisbee RS 50 (4T) | 50 | 2010 | 2012 | R |
| | B | LOOXOR 50 | 50 | 2001 | | R |
| | | Ludix 2 Biposto 50cc (2T/10? wheels) | 50 | 2007 | 2009 | F/R |

B = Bike
A = ATV
S = Snowmobile

B = Bike
A = ATV
S = Snowmobile



CC FROM TO FRONT / REAR

...FSB704

| CC | FROM | TO | FRONT / REAR |
|---|------|------|--------------|
| Ludix 2 One Biposoto (2T/10? Wheels) | 50 | 2010 | 2012 F/R |
| Ludix 2 One Monoposoto (2T/12? Wheels) | 50 | 2010 | 2011 F/R |
| Ludix 2 Trend 50cc (2T/12? wheels) | 50 | 2007 | 2012 R |
| Ludix Acid | 50 | 2006 | R |
| Ludix Blaster (10" Wheels) | 50 | 2005 | 2009 R |
| B LUDIX ONE 50 | 50 | 2004 | F/R |
| Ludix Pro (4T / 14" Wheels/AJP Caliper) | 50 | 2011 | R |
| Ludix Pro (4T / 14" Wheels/J.Juan Caliper) | 50 | 2011 | R |
| Ludix Red Zone | 50 | 2006 | R |
| Ludix Urban Track | 50 | 2006 | 2007 R |
| B METROPOLIS 50 | 50 | | F |
| New Vivacity (50cc/2T/12" Wheels/200mm Disc) | 50 | 2008 | 2012 R |
| New Vivacity (50cc/4T/12" Wheels/200mm Disc) | 50 | 2008 | 2012 R |
| New Vivacity Sixties (50cc/4T/12" Wheels/200mm Disc) | 50 | 2010 | 2012 R |
| B SC 50 | 50 | | F |
| B SPEEDAKE 50 | 50 | 1995 | 2001 R |
| Speedfight 3 (50cc A/C - 2T) | 50 | 2009 | 2012 R |
| B SPEEDFIGHT 50 M (AJP caliper) | 50 | 1997 | 1998 R |
| B SPEEDFIGHT 50 M (Heng-Tong caliper) | 50 | 1997 | R |
| B SQUAB 50 | 50 | 1996 | 2001 R |
| B SQUAB 50 (Heng-Tong caliper) | 50 | 1996 | 2001 R |
| B SV 50 APS SYSTEM | 50 | 1991 | F/R |
| B SV 50 GEO | 50 | 1992 | R |
| B SV 50 GEO (all models) | 50 | 1993 | R |
| B SX 50 | 50 | | F |
| B TREKKER 50 ROAD | 50 | 1997 | R |
| TRK 50 (2T/10? Wheels) | 50 | 2009 | 2012 R |
| TRK 50 12 (2T/12? Wheels) | 50 | 2009 | 2012 R |
| Tweet 50 (4T/Rear Drum Model) | 50 | 2010 | 2012 R |
| V-Clic 50 (4T) | 50 | 2008 | 2011 R |
| Vivacity 2 50 (AJP Caliper/10" Wheels/190mm Disc) | 50 | 2008 | 2011 R |
| Vivacity 2 50 (Heng Tong Caliper/10" Wheels/190mm Disc) | 50 | 2008 | 2011 R |
| B VIVACITY 50 . | 50 | 1998 | 2003 R |
| B X FIGHT 50 M | 50 | 2000 | R |
| B ZENITH 50 | 50 | 1994 | 1995 R |
| B ZENITH 50 | 50 | 1996 | 2000 R |
| B SC 75 | 75 | | F |
| B SX 75 | 75 | | F |
| B METROPOLIS 80 | 80 | | F |
| B SC 80 | 80 | | F |
| B SV 80 EXECUTIVE | 80 | 1996 | R |
| B SX 80 | 80 | | F |
| B ELYSEO 100 | 100 | 1998 | R |
| B TREKKER 100 | 100 | 1998 | R |
| B VIVACITY 100 . | 100 | 1998 | R |
| B X FIGHT 100 M | 100 | 2000 | R |
| B LUDIX 125 | 125 | 2004 | R |
| B SV 125 GEO | 125 | 1991 | 1992 R |
| B SV 125 GEO | 125 | 1993 | R |
| PGO B STAR 2 50 | 50 | 1994 | F |
| B STAR 50 | 50 | 2000 | F |
| B BIG MAX 80 | 80 | | F |
| B STAR 80 | 80 | 1990 | F |
| SINNIS Nitro 50 (2T) | 50 | 2009 | 2010 R |
| Pioneer 50 (2T) | 50 | 2009 | 2010 R |
| QM 50 QT-2T Falcon | 50 | 2008 | 2010 R |
| QM 50 QT-6A Jet 50 | 50 | 2008 | 2010 R |
| Strike 50 (2T) | 50 | 2009 | 2010 R |
| SYM E Woo - Electric | 2010 | | R |
| Evie (Electric Scooter) | 2010 | | F/R |
| Symmetry - Electric | 2011 | | F/R |
| B CITY HOPPER 50 | 50 | 1999 | 2002 R |
| B DD 50 CITY TREK | 50 | 2002 | R |
| B FIDDLE 50 | 50 | 1999 | F |
| Fiddle II 50 | 50 | 2008 | 2012 R |
| Jet 4 (50cc- 4T) | 50 | 2010 | 2012 R |
| Jet 4 R (50cc- 2T) | 50 | 2011 | 2012 R |
| Jet Basix 50 | 50 | 2006 | 2009 R |
| Jet Euro X 50 | 50 | 2006 | 2012 R |
| Mio 50 | 50 | 2005 | 2012 R |
| Orbit 50 | 50 | 2008 | 2009 R |
| Symply 11 50 | 50 | 2009 | 2012 R |
| Symply 50 | 50 | 2007 | 2008 R |
| Tonick 50 | 50 | 2011 | 2012 R |
| B CINDERELLA 50 / 100 | 100 | 1999 | 2000 R |
| Mio 100 | 100 | 2005 | 2012 R |
| Symba 100 | 100 | 2011 | 2012 F/R |
| Tonick 125 | 125 | 2011 | 2012 R |



CC FROM TO FRONT / REAR

FSB705

| CC | FROM | TO | FRONT / REAR |
|-------------------------------|------|------|--------------|
| YAMAHA B 50 FLY ONE | 50 | 1992 | 1995 R |
| B 150 FLY ONE | 150 | 1992 | R |
| FSB705 HONDA B MB 50 | 50 | 1982 | R |
| B MBX 50 SD - SF | 50 | 1983 | R |
| B MT 50 | 50 | 1980 | F/R |
| B MTX 50 S | 50 | 1983 | F/R |
| B MXR 50 | 50 | | R |
| B NSR 50 | 50 | 1993 | 1994 R |
| B NSR 50 | 50 | 1994 | 2000 R |
| B XL 50 | 50 | | F/R |
| B NSR 75 / FII | 75 | 1988 | 2000 R |
| B XR 75 K4 | 75 | 1975 | 1979 F/R |
| B XR 75 K5 | 75 | 1979 | R |
| B CR 80 R2F | 80 | 1985 | F |
| B CR 80 RA - RB | 80 | 1980 | 1981 F/R |
| B CR 80 RC | 80 | 1982 | F |
| B MBX 80 | 80 | 1982 | R |
| B MBX 80 DX | 80 | 1982 | R |
| B MBX 80 FWD | 80 | 1983 | R |
| B MBX 80 VOLLUERKLEIDUNG | 80 | 1985 | R |
| B MCX 80 all models | 80 | 1982 | 1984 R |
| B MT 80 all models | 80 | 1980 | 1984 F/R |
| B MTX 80 all models | 80 | 1982 | 1984 F/R |
| B XR 80 A - B - Z | 80 | 1980 | 1984 F/R |
| B XR 80 RJ | 80 | 1989 | F/R |
| B C 90 | 90 | 1993 | F/R |
| B YUPY 90 (NH 90) | 90 | 1990 | R |
| B CB 100 N | 100 | 1978 | R |
| B XL 100 all models | 100 | 1978 | F/R |
| B CT 110 K/M/P | 110 | 1989 | 2003 R |
| B CT 110 P | 110 | 1989 | 2004 F/R |
| B CT 110 X | 110 | 2004 | F |
| B CB 125 J | 125 | 1979 | R |
| B CLR 125 CITY FLY | 125 | 2000 | R |
| B CR 125 M2 - 3 - 4 | 125 | 1976 | 1978 R |
| B CT 125 M2 | 125 | 1976 | 1978 F/R |
| B CT 125 M3 | 125 | 1976 | 1978 F/R |
| B CT 125 M4 | 125 | 1976 | 1978 F/R |
| B MTX 125 R2F | 125 | 1985 | 1995 R |
| B MTX 125 RF | 125 | 1985 | 1995 R |
| B MTX 125 RWD | 125 | 1983 | 1984 F/R |
| B MTX 125 RWF | 125 | 1985 | 1995 R |
| B NX 125 | 125 | 1988 | R |
| B NX 125 TRANSCITY | 125 | 1989 | 1997 R |
| B TL 125 | 125 | 1976 | F/R |
| B XL 125 K3 | 125 | 1979 | R |
| B XL 125 L PARIS DAKAR | 125 | 1989 | R |
| B XL 125 PARIS DAKAR | 125 | 1989 | R |
| B XL 125 R | 125 | 1985 | 1986 R |
| B XL 125 R | 125 | 1987 | 1988 R |
| B XL 125 R PARIS DAKAR | 125 | 1984 | R |
| B XL 125 RC | 125 | 1979 | 1983 F/R |
| B XL 125 SA - B - C - Z - K2 | 125 | 1979 | 1983 F/R |
| B CRF 150 | 150 | 2003 | 2007 R |
| B XL 185 SA | 185 | 1980 | 1984 F/R |
| B XL 185 SB | 185 | 1980 | 1984 F/R |
| B XL 185 SZ | 185 | 1980 | 1984 F/R |
| B CT 200 E - K | 200 | 1984 | 1989 R |
| B CT 200 P | 200 | 1993 | 1999 F/R |
| B CTX 200 | 200 | 2003 | 2004 R |
| B MTX 200 RW | 200 | 1985 | 1986 R |
| B MTX 200 RWD | 200 | 1983 | 1984 F/R |
| B TL 200 J | 200 | | F/R |
| B TL 200 X | 200 | | F/R |
| B XL 200 R | 200 | 1983 | 1984 F/R |
| B XR 200 A - RB - RC - RD | 200 | 1981 | 1983 F/R |
| B XR 200 R | 200 | 1984 | 1991 F/R |
| B CRF 230 F | 230 | 2003 | 2007 R |
| B RTL 250 SG | 250 | 1986 | F/R |
| B RX 250 RE | 250 | 1984 | R |
| B TL 250 F | 250 | 1985 | F/R |
| B TL 250 KI | 250 | 1979 | F/R |
| B XL 350 RD | 350 | 1983 | R |
| B XR 350 RE - RD | 350 | 1984 | R |
| B XR 500 R | 500 | 1984 | R |
| B XR 600 R | 600 | 1985 | 1987 R |
| B XR 600 R | 600 | 1988 | 1990 R |
| FSB706 HONDA B CB 125 K1 - K5 | 125 | 1972 | 1976 R |



| | | | CC | FROM | TO | FRONT / REAR |
|-----------|------------------|---|-------------------------|------|------|--------------|
| ...FSB706 | | B | CB 125 K6 - S2 | 125 | 1976 | 1977 R |
| | | B | CB 125 RS | 125 | 1983 | R |
| | | B | CB 125 T | 125 | 1978 | R |
| | | B | CB 125 T2 - TA - TB | 125 | 1979 | R |
| | | B | CB 125 TDC - TDE - TDJ | 125 | 1983 | 1989 R |
| | | B | CB 125 TT | 125 | 1990 | R |
| | | B | CD 125 CD | 125 | 1982 | R |
| | | B | CD 125 TC | 125 | 1982 | R |
| | | B | CM 125 L | 125 | 1982 | R |
| | | B | CD 185 T | 185 | 1978 | 1980 R |
| | | B | CD 200 T | 200 | 1979 | 1980 R |
| | | B | CM 200 TA - TB | 200 | 1980 | 1981 R |
| | | B | CB 250 NIGHT HAWK | 250 | 1991 | 2001 R |
| | | B | CD 250 | 250 | 1988 | 1992 R |
| | | B | CM 250 C | 250 | 1982 | R |
| | HONDA 3 WHEELERS | A | ATC 70 | 70 | 1978 | 1985 R |
| | SYM | B | XS 125 K | 125 | 2007 | 2012 R |
| FSB707 | HONDA | B | CD 125 CD | 125 | 1982 | F |
| | | B | CD 125 TC | 125 | 1982 | F |
| | | B | CM 125 L | 125 | 1982 | F |
| | | B | CD 185 T | 185 | 1978 | 1980 F |
| | | B | CD 200 T | 200 | 1979 | 1980 F |
| | | B | CM 200 TA - TB | 200 | 1980 | 1981 F |
| | | B | CL 250 SC | 250 | 1981 | F |
| | | B | CM 250 C | 250 | 1982 | F |
| | | B | XL 250 K3 - K4 | 250 | 1978 | 1979 R |
| | | B | XL 250 S | 250 | 1982 | 1990 F |
| | | B | XL 250 S - SZ - SA | 250 | 1978 | 1981 F |
| | | B | XR 250 Z - SZ - SA | 250 | 1979 | 1980 F |
| | | B | XL 500 SZ | 500 | 1980 | F |
| FSB708 | HONDA | B | CB 250 | 250 | 1978 | 1991 R |
| | | B | CB 250 N | 250 | 1978 | 1982 R |
| | | B | CB 250 NA - NB | 250 | 1978 | 1982 R |
| | | B | CB 250 T-DREAM | 250 | 1978 | 1982 R |
| | | B | CB 250 T-SUPERDREAM | 250 | 1978 | 1982 R |
| | | B | CM 250 TB | 250 | 1981 | R |
| | | B | CB 350 SG | 350 | 1986 | R |
| | | B | CB 400 A - HAWK | 400 | 1978 | R |
| | | B | CB 400 N - NA - NB | 400 | 1978 | 1982 R |
| | | B | CB 400 N/F | 400 | 1983 | R |
| | | B | CM 400 A | 400 | 1978 | 1981 R |
| | | B | CM 400 AA | 400 | 1978 | 1981 R |
| | | B | CM 400 AB-TA | 400 | 1978 | 1981 R |
| | | B | CM 400 T | 400 | 1978 | 1981 R |
| | | B | CM 400 TB | 400 | 1978 | R |
| | | B | CM 400 TC | 400 | 1978 | 1981 R |
| | | B | CM 400 TZ | 400 | 1978 | R |
| | | B | CB 450 N | 450 | 1985 | R |
| | | B | CBX 450 S | 450 | 1987 | R |
| | | B | CMX 450 CG REBEL | 450 | 1986 | 1988 R |
| | | B | VT 500 CD - FT | 500 | 1982 | R |
| | | B | VT 500 ED - EF - C | 500 | 1983 | R |
| FSB709 | HONDA | B | CA 125 REBEL | 125 | 1995 | 1997 R |
| | | B | CA 125 REBEL | 125 | 1998 | R |
| | | B | VT 125 SHADOW | 125 | 1999 | R |
| | | B | CMX 250 C REBEL | 250 | 1996 | 2000 R |
| | | B | XL 250 S | 250 | 1982 | 1990 R |
| | | B | XL 500 R - RC | 500 | 1982 | R |
| | | B | XL 500 R PARIS DAKAR | 500 | 1983 | R |
| | | B | XL 500 SZ | 500 | 1980 | R |
| | | B | XR 500 R | 500 | 1983 | 1984 R |
| | | B | XR 500 R - RB | 500 | 1981 | 1983 R |
| | | B | XR 500 SA - SZ | 500 | 1979 | 1980 R |
| | | B | XL 600 LD - PARIS DAKAR | 600 | 1983 | 1984 R |
| | | B | XL 600 LM-RM-R-V-L | 600 | 1985 | 1990 R |
| | | B | XL 600 R - RD - RE | 600 | 1983 | 1984 R |
| | | B | XL 600 V TRANSALP | 600 | 1987 | 1990 R |
| FSB710 | HONDA | B | CB 650 A - Z | 650 | 1979 | 1981 R |
| | | B | CB 650 B | 650 | 1979 | 1981 R |
| | | B | CB 650 SCC NIGHTHAWK | 650 | 1982 | R |
| | | B | CB 750 K1 - K6 | 750 | 1971 | 1977 R |
| | | B | CB 750 K7 - K8 | 750 | 1978 | R |
| | | B | CB 750 KZ | 750 | 1980 | R |
| | | B | CB 750 SC NIGHTHAWK | 750 | 1982 | 1983 R |
| FSB711 | HONDA | B | CB 500 K1 - K2 - T | 500 | 1975 | 1977 R |
| | | B | CB 500 R/T | 500 | 1994 | 1996 R |
| | | B | CX 500 CA - CB | 500 | 1979 | 1981 R |
| | | B | GL 500 DC | 500 | 1982 | R |



| | | | CC | FROM | TO | FRONT / REAR |
|--------|----------------|---|--------------------------------|------|------|--------------|
| | | B | GL 500 SILVER WING INTERSTATE | 500 | 1982 | R |
| | | B | NV 600 C | 600 | 1988 | R |
| | | B | VLX 600 SHADOW | 600 | 1988 | R |
| | | B | VT 600 C SHADOW | 600 | 1988 | 1991 R |
| | | B | VT 600 C SHADOW | 600 | 1994 | 2003 R |
| | | B | CB 650 SCD | 650 | 1983 | R |
| | | B | CBX 650 ED | 650 | 1983 | R |
| | | B | CX 650 ED | 650 | 1982 | R |
| | | B | GL 650 D2TE | 650 | 1983 | R |
| | | B | GL 650 DD - ID | 650 | 1983 | R |
| | | B | VF 700 C MAGNA | 700 | 1984 | R |
| | | B | VF 700 S SABRE | 700 | 1984 | R |
| | | B | VT 700 C SHADOW | 700 | 1984 | 1985 R |
| | | B | CB 750 NIGHTHAWK | 750 | 1991 | R |
| | | B | VF 750 C | 750 | 1993 | R |
| | | B | VF 750 C-SC-CC-F-FC | 750 | 1983 | R |
| | | B | VF 750 CH | 750 | 1987 | 1989 R |
| | | B | VT 750 C SHADOW | 750 | 1983 | 1985 R |
| | | B | VENOX 250 | 250 | 2000 | R |
| FSB712 | HONDA | B | CAMINO 50 all models | 50 | 1980 | F/R |
| | | B | PA 50 all models | 50 | 1980 | F/R |
| | | B | PF 50 M | 50 | 1975 | F/R |
| | | B | PX 50 all models | 50 | 1982 | 1983 F |
| | | B | PX 50 E | 50 | 1984 | F |
| | KTM | B | 50 SX ADVENTURE SENIOR | 50 | 2004 | R |
| | | B | SX 50 ADVENTURE | 50 | 1998 | 2003 F/R |
| | | B | SX 50 PRO JUNIOR / SENIOR | 50 | 1998 | 2001 F/R |
| | | B | SX 50 PRO JUNIOR / SENIOR LC | 50 | 2002 | 2003 R |
| | | B | SX 50 PRO JUNIOR / SENIOR LC | 50 | 2002 | 2003 R |
| | MOTOBECANE | B | all models 50 (mozzi atom) | 50 | 1988 | 1989 F |
| | | B | all models 50 (mozzi leleu) | 50 | 1988 | 1989 F |
| | PEUGEOT | B | 103 / 104 / 105 50 | 50 | | F/R |
| | | B | ASV 50 (telescopic fork) | 50 | 1993 | F/R |
| | PUCH | B | MAXI 30 30 all models | 30 | | F/R |
| | | B | MAXI 40 40 all models | 40 | | F/R |
| | | B | GTL 50 | 50 | | R |
| | | B | MONZA 50 4 GP all models | 50 | | F/R |
| | | B | MONZA 50 4 SL | 50 | | F/R |
| | | B | 80 /6 | 80 | | R |
| FSB713 | BOMBARDIER ATV | A | DS 50 (2 STROKE) | 50 | 2002 | 2006 R |
| | | A | QUEST 50 | 50 | 2003 | 2004 R |
| | | A | DS 90 (2 STROKE / 4 STROKE) | 90 | 2002 | 2006 R |
| | | A | QUEST 90 (2 STROKE / 4 STROKE) | 90 | 2003 | 2004 R |
| | CAN AM ATV | A | DS 90 Mini 4 Stroke | 90 | 2007 | R |
| | E-TON ATV | A | IXL 40 Rascal | 40 | 1998 | 2001 R |
| | | A | RXL-40E Viper Junior | 40 | 2001 | 2006 R |
| | | A | Viper 40 E | 40 | 1999 | 2008 R |
| | | A | AXL 90 Thunder | 90 | 1999 | 2000 R |
| | | A | DXL-90 Sierra | 90 | 1999 | 2003 R |
| | | A | NXL 90 Thunder | 90 | 2001 | 2002 R |
| | | A | Viper EXL 150 ST Quad | 150 | 2005 | 2006 R |
| | | A | Yukon ELX 150 | 150 | 2005 | 2006 R |
| | | A | YXL 150 Yukon | 150 | 2000 | 2002 R |
| | HONDA | B | CG 125 | 125 | 1985 | F |
| | | B | CR 125 RA | 125 | 1979 | 1981 R |
| | | B | CR 125 RB | 125 | 1979 | 1981 R |
| | | B | CR 125 RS | 125 | 1979 | 1981 R |
| | | B | CR 125 RZ | 125 | 1979 | 1981 R |
| | | B | NX 125 | 125 | 1988 | F |
| | | B | CH 250 ELITE | 250 | 1985 | 1990 F/R |
| | | B | CN 250 | 250 | 1993 | 2000 R |
| | | B | CN 250 ELITE | 250 | 1987 | 1990 F/R |
| | | B | CR 250 RB | 250 | 1981 | R |
| | | B | CR 250 RC | 250 | 1982 | R |
| | | B | XL 250 RC - RH | 250 | 1982 | F |
| | | B | XLX 250 | 250 | 1984 | F |
| | HONDA ATV | A | TRX 70 Fourtrax | 70 | 1986 | 1987 R |
| FSB714 | BS VILLA | B | ZX 50 | 50 | 1993 | R |
| | HONDA | B | CR 50 RE - RF | 50 | 1984 | F/R |
| | | B | G-DASH 50 | 50 | 1989 | 1992 R |
| | | B | GP 50 DIO | 50 | 1991 | 1995 R |
| | | B | LIFE DIO 50 | 50 | 1994 | F/R |
| | | B | NU 50 MC RUNAWAY | 50 | 1982 | F |
| | | B | PK 50 WALLAROO DX - STD | 50 | 1990 | 2001 F |
| | | B | QR 50 | 50 | 1993 | R |
| | | B | SA 50 J VISION MET-IN | 50 | 1988 | 1990 F/R |
| | | B | SAA 50 VISION | 50 | 1993 | F/R |
| | | B | SR 50 DIO | 50 | 1990 | R |

B = Bike
A = ATV
S = Snowmobile

B = Bike
A = ATV
S = Snowmobile



CC FROM TO FRONT / REAR

| Code | Brand | Model | CC | FROM | TO | FRONT / REAR | | |
|-------------------|----------|--------------------------|------------------------------|----------------------|------|--------------|------|-----|
| ...FSB714 | HSC | B SR 50 LIFE DIO | 50 | 1994 | | R | | |
| | | B SUPER DIO 50 SR | 50 | 1991 | 1992 | R | | |
| | | B SUPER DIO 50 ZX | 50 | 1992 | | R | | |
| | | B TLM 50 F | 50 | 1985 | | F/R | | |
| | | B XR 50 DIO BAJA | 50 | 1994 | | R | | |
| | | B ZX 50 LIFE DIO | 50 | 1994 | | R | | |
| | | B ZX DIO 50 | 50 | 1995 | | R | | |
| | | B CR 60 R | 60 | 1986 | | F/R | | |
| | | B CR 60 RG | 60 | 1986 | | F/R | | |
| | | B CRF 70F | 70 | 2004 | | F/R | | |
| | | B XR 70 RV | 70 | 1997 | 2003 | F/R | | |
| | | B SA 75 VISION | 75 | 1988 | | R | | |
| | | B CH 80 ELITE | 80 | 1985 | 1990 | R | | |
| | | B CR 80 RC | 80 | 1982 | | R | | |
| | | B CR 80 RD - RE - RF | 80 | 1983 | 1984 | F/R | | |
| | | B XR 80 R | 80 | 1985 | | F/R | | |
| | | B CRF 100R | 100 | 2004 | | F/R | | |
| | | B XR 100 R | 100 | 1985 | 2003 | F/R | | |
| | | B TLR 200 EF | 200 | 1984 | | F/R | | |
| | | B HSC 01 50 | 50 | 1992 | | R | | |
| | | B SR 50 DIO | 50 | 1992 | | R | | |
| | | B ZR 50 | 50 | 1992 | | R | | |
| | | B ZX 50 DIO | 50 | 1992 | | R | | |
| | | KYMCO | B CX 50 | 50 | 1993 | | R | |
| | | | B CX 50 SUPER | 50 | 1994 | 1997 | R | |
| | | | B DJW 50 | 50 | 1994 | | R | |
| | | | B DJX 50 | 50 | 1991 | 1992 | R | |
| | | | B DJY 50 / DJY 50 REFINED | 50 | 1993 | | R | |
| | | B ZK 50 SUPERFEVER | 50 | 1999 | | R | | |
| | | B ZX 50 FEVER | 50 | 1995 | | R | | |
| | | FSB715 | HONDA | B SH 50 CITY EXPRESS | 50 | 1984 | 1996 | R |
| | | | | B SH 50 SCOOPY | 50 | 1988 | 1994 | F/R |
| | | | | B SH 75 SCOOPY | 75 | 1988 | 1995 | R |
| | | | | B SH 80 | 80 | 1984 | | R |
| | | | | B SH 80 SCOOPY | 80 | 1988 | | R |
| | | FSB716 | KAWASAKI | B KD 80 | 80 | 1988 | 1990 | R |
| | | | | B KH 125 A1 -A3 | 125 | 1977 | 1981 | R |
| B KX 125 B2 - C1 | 125 | | | 1982 | 1985 | R | | |
| B KDX 200 A1 - A2 | 200 | | | 1983 | 1985 | R | | |
| B KDX 200 C1 | 200 | 1986 | 1988 | R | | | | |
| FSB717 | KAWASAKI | B KE 175 D1 - D5 | 175 | 1979 | 1983 | R | | |
| | | B KDX 200 A1 - A2 | 200 | 1983 | 1985 | F | | |
| | | B KL 250 A3 - A4 | 250 | 1980 | 1984 | R | | |
| | | B KL 250 C1 | 250 | 1980 | 1984 | R | | |
| | | B KLR 250 all models | 250 | 1984 | 2000 | R | | |
| FSB718 | KAWASAKI | B EL 250 all models | 250 | 1991 | 1994 | R | | |
| | | B Z 250 | 250 | 1983 | | R | | |
| | | B Z 250 B1 - B2 | 250 | 1980 | 1983 | R | | |
| | | B Z 250 GP BELT DRIVE | 250 | 1983 | | R | | |
| | | B GPZ 305 A1 | 305 | 1983 | 1996 | R | | |
| | | B GPZ 305 B2 - B3 | 305 | 1983 | 1996 | R | | |
| | | B GPZ 305 BELT DRIVE | 305 | 1983 | 1996 | R | | |
| | | B Z 400 G1 | 400 | 1979 | | R | | |
| | | B ZR 400 A1 - F | 400 | 1983 | | R | | |
| | | B Z 440 A2 - C1 | 440 | 1979 | 1982 | R | | |
| | | B Z 440 C2 | 440 | 1981 | | R | | |
| | | B Z 440 D2 - D4 LTD | 440 | 1979 | 1982 | R | | |
| | | B Z 440 D5 LTD | 440 | 1981 | 1983 | R | | |
| | | B Z 440 H1 - H2 | 440 | 1981 | 1983 | R | | |
| | | B ER-5 500 (ER) | 500 | 1997 | 2000 | R | | |
| | | B ER-5 500 (ER) | 500 | 2001 | | R | | |
| | | B EX 500 all models | 500 | 1987 | 1991 | R | | |
| | | B GPZ 500 S | 500 | 1987 | | R | | |
| | | B GPZ 500 S | 500 | 1988 | | R | | |
| | | B Z 500 F | 500 | 1983 | | R | | |
| | | B ZR 500 A1 | 500 | 1983 | | R | | |
| | | B Z 550 F | 550 | 1983 | 1984 | R | | |
| | | B ZR 550 A1 | 550 | 1983 | 1984 | R | | |
| | | B W 650 | 650 | 1999 | | R | | |
| | | KAWASAKI ATV | A KLF 185 BAYOU A1 Series | 185 | 1985 | 2000 | R | |
| | | | A KLF 185 BAYOU A2 / A3 / A4 | 185 | 1986 | 1988 | R | |
| | | | A KLF 220 BAYOU A Series | 220 | 1988 | 2002 | R | |
| | | | A KLF 250 BAYOU A Series | 250 | 2003 | 2010 | R | |
| | | | A KLF 300 BAYOU A Series | 300 | 1986 | 1987 | R | |
| | | A KLF 300 BAYOU B Series | 300 | 1988 | 2004 | R | | |
| | | FSB719 | KAWASAKI | B VN 400 CLASSIC | 400 | 1999 | | R |
| | | | | B VN 400 VULCAN | 400 | 1995 | | R |
| B Z 400 J1 LTD | 400 | | | 1980 | 1981 | R | | |



CC FROM TO FRONT / REAR

| Code | Brand | Model | CC | FROM | TO | FRONT / REAR | | |
|------------------|----------|--|----------|--------------------|------|--------------|------|-----|
| FSB720 | SUZUKI | B Z 400 J2 - J3 | 400 | 1981 | 1983 | R | | |
| | | B ZL 400 | 400 | 1986 | 1987 | R | | |
| | | B LTD450 (EN450 A1-A5) | 454 | 1986 | 1989 | R | | |
| | | B EN 500 all models | 500 | 1990 | 1993 | R | | |
| | | B A1 550 LTD | 550 | 1980 | | R | | |
| | | B Z 550 A1 | 550 | 1980 | | R | | |
| | | B Z 550 A3 - C1 - C2 LTD | 550 | 1980 | | R | | |
| | | B Z 550 G1 SHAFT | 550 | 1983 | | R | | |
| | | B Z 550 GT - SPORT | 550 | 1983 | | R | | |
| | | B ZL 600 A1/A2 | 600 | 1985 | 1994 | R | | |
| | | B ZL 600 B1 ELIMINATOR | 600 | 1995 | 1997 | R | | |
| | | B Z 650 B1 - B3 | 650 | 1979 | 1981 | R | | |
| | | B Z 650 F1 | 650 | 1979 | 1980 | R | | |
| | | B Z 650 F2 - F4 | 650 | 1980 | 1983 | R | | |
| | | B 750 VULCAN | 750 | 1989 | 1993 | R | | |
| | | B VN 750 TWIN | 750 | 1986 | 1987 | R | | |
| | | B VN 750 VULCAN | 750 | 1990 | 1994 | R | | |
| | | B Z 750 LTD TWIN K1 | 750 | 1983 | | R | | |
| | | B Z 750 Y1 LTD | 750 | 1982 | | R | | |
| | | B VN 800 | 800 | 1995 | 1998 | R | | |
| | | B VN 800 CLASSIC | 800 | 1996 | | R | | |
| | | B VN 850 | 850 | 1995 | 1999 | R | | |
| | | FSB721 | CFMOTO | B FZ 50 N - X SUZY | 50 | 1980 | 1982 | F/R |
| | | | | B S 50 K | 50 | 1993 | | R |
| | | | | B CS 80 CD | 80 | 1983 | | F/R |
| | | FSB722 | SUZUKI | B TS 80 X | 80 | 1984 | | R |
| | | | | B CF 150 Leader | 150 | 2010 | 2012 | R |
| | | | | B RX 125 | 125 | 2000 | 2007 | R |
| | | FSB723 | KAWASAKI | B KH 100 A2 - A4 | 100 | 1978 | 1981 | F |
| B KM 100 A4 - A6 | 100 | | | 1978 | 1981 | F | | |
| B AR 125 A1 - LC | 125 | | | 1982 | 1994 | R | | |
| FSB724 | KAWASAKI | B BN 125 A1/A2 ELIMINATOR | 125 | 1998 | 1999 | R | | |
| | | B BN 125 A3/A4 ELIMINATOR | 125 | 2000 | | R | | |
| | | B KE 125 A4 - A10 | 125 | 1976 | 1985 | R | | |
| FSB725 | KAWASAKI | B KH 125 EX | 125 | 1982 | 1983 | R | | |
| | | B KH 125 K1 | 125 | 1982 | 1998 | R | | |
| | | B KH 125 K2-4 - L1 | 125 | 1982 | 1983 | R | | |
| FSB726 | KAWASAKI | B KX 125 A3 - A7 | 125 | 1974 | 1980 | R | | |
| | | B KX 125 B1 | 125 | 1981 | | R | | |
| | | B KDX 175 all models | 175 | 1980 | 1982 | R | | |
| FSB727 | KAWASAKI | B Z 200 A1 - A5 | 200 | 1977 | 1982 | R | | |
| | | B Z 200 A6 | 200 | 1983 | | R | | |
| | | B KLX 250 | 250 | 2000 | | R | | |
| FSB728 | KAWASAKI | B KX 250 B1 | 250 | 1982 | | R | | |
| | | B KX 250 B2 - B3 | 250 | 1980 | 1981 | R | | |
| | | B KX 250 C1 - C2 | 250 | 1983 | 1985 | R | | |
| FSB729 | KAWASAKI | B Z 250 C1 - C2 | 250 | 1981 | 1983 | R | | |
| | | B Z 250 G1 - G2 | 250 | 1981 | 1983 | R | | |
| | | B Z 250 LTD | 250 | 1983 | | R | | |
| FSB730 | KAWASAKI | B KX 500 A1 - A2 | 500 | 1983 | 1985 | R | | |
| | | B KLR 570 | 570 | 1988 | | R | | |
| | | B KLR 600 | 600 | 1984 | 1988 | R | | |
| FSB731 | KAWASAKI | B KLR 600 ELECTRIC STARTER | 600 | 1985 | | R | | |
| | | B KLR 600 S | 600 | 1992 | | R | | |
| | | B KLT 110 A1 / A2 / A3 | 110 | 1984 | 1986 | R | | |
| FSB732 | KAWASAKI | B KLT 160 A1 | 160 | 1985 | 2000 | R | | |
| | | B KLT 185 A1 / A2 | 185 | 1986 | 1987 | R | | |
| | | B KLF 110 MOJAVE A / B | 110 | 1987 | 1988 | R | | |
| FSB733 | KAWASAKI | B Bubu 100 | 100 | 2003 | 2008 | R | | |
| | | B My Bubu 100 | 100 | 2003 | 2005 | R | | |
| | | B Bubu 125 | 125 | 2003 | 2008 | R | | |
| FSB734 | KAWASAKI | B I-CHARGE 125 | 125 | 2003 | 2004 | R | | |
| | | B MY BUBU 100 / 125 | 125 | 2003 | 2004 | R | | |
| | | B T-REX 125 | 125 | 1999 | 2004 | R | | |
| FSB735 | KAWASAKI | B T/Rex 125 | 125 | 1999 | 2007 | R | | |
| | | B YOUNG BUBU 125 | 125 | 2003 | 2004 | R | | |
| | | B T-REX 150 | 150 | 1999 | 2004 | R | | |
| FSB736 | KAWASAKI | B QM 125 GY Apache 125 (Rear drum model) | 125 | 2009 | 2010 | R | | |
| | | B Trackstar 125 (4T) | 125 | 2011 | 2012 | R | | |
| | | B RG 80 GAMMA | 80 | 1988 | 1993 | R | | |
| FSB737 | SUZUKI | B RG 80 GAMMA | 80 | 2000 | | R | | |
| | | B RM 80 X - D - E | 80 | 2000 | | F | | |
| | | B TS 90 | 90 | 1971 | 1973 | R | | |
| FSB738 | SUZUKI | B GP 100 UD - UN - UX | 100 | 1979 | 1992 | F | | |
| | | B RM 100 A - B - C | 100 | 1976 | 1978 | R | | |
| | | B TS 100 A - B - C | 100 | 1975 | 1981 | F/R | | |
| FSB739 | SUZUKI | B TS 100 ERN - ERT - ERX | 100 | 1975 | 1981 | F/R | | |
| | | B TS 100 ERZ | 100 | 1982 | 1987 | F | | |



CC FROM TO FRONT / REAR

| CC | FROM | TO | FRONT / REAR |
|-----|------|------|--------------|
| 100 | 1973 | 1975 | R |
| 125 | 1986 | 1993 | R |
| 125 | 1982 | 1984 | F/R |
| 125 | 2003 | 2008 | F/R |
| 125 | 2003 | | R |
| 125 | | | F/R |
| 125 | 1983 | 1993 | R |
| 125 | 1994 | 2001 | R |
| 125 | 1977 | 1984 | R |
| 125 | 1982 | 1984 | F/R |
| 125 | 1990 | 1994 | R |
| 125 | 1983 | 1994 | R |
| 125 | 1995 | 2000 | R |
| 125 | 1982 | | R |
| 125 | 1982 | 1984 | F/R |
| 125 | 1974 | | R |
| 125 | 2000 | | R |
| 125 | 1982 | 1984 | R |
| 125 | 1985 | 1991 | R |
| 125 | 1975 | 1978 | F/R |
| 125 | 1981 | 1983 | F |
| 125 | 1979 | 1980 | F |
| 125 | 1979 | 1980 | F |
| 125 | 1981 | 1983 | F |
| 125 | 1974 | 1976 | F/R |
| 125 | 1973 | | R |
| 125 | 1970 | 1971 | F/R |
| 125 | 1973 | 1981 | F/R |
| 125 | 1973 | 1981 | F/R |
| 125 | 1982 | 1983 | F |
| 125 | 1972 | 1972 | R |
| 125 | 1973 | 1981 | F/R |
| 125 | 1984 | 1987 | F |
| 125 | 1973 | 1984 | F/R |
| 125 | 2000 | | R |
| 125 | | | R |
| 175 | 1978 | 1979 | F/R |
| 175 | 1980 | 1981 | F |
| 185 | 1974 | 1979 | R |
| 185 | 1974 | 1981 | F/R |
| 185 | 1974 | 1981 | F/R |
| 185 | 1973 | 1973 | R |
| 185 | 1974 | 1981 | F/R |
| 200 | 1989 | 1998 | R |
| 200 | 1979 | 1982 | R |
| 200 | 1979 | 1982 | R |
| 200 | 1979 | 1981 | R |
| 250 | 1981 | 1982 | F/R |
| 250 | 1983 | 1984 | R |
| 250 | 1985 | | R |
| 250 | 1986 | 1989 | R |
| 250 | 1993 | 1997 | R |
| 250 | 2000 | | R |
| 250 | 1976 | 1978 | F |
| 250 | 1997 | 2000 | R |
| 250 | 2000 | 2001 | R |
| 400 | 1978 | 1978 | F |
| 500 | 1989 | | R |
| 500 | 1983 | 1984 | R |
| 500 | 1985 | 1986 | R |
| 600 | 1987 | 1988 | R |
| 600 | 1989 | | R |
| 600 | 1985 | 1986 | R |
| 600 | 1985 | | R |
| 110 | 2004 | | R |
| 50 | 1981 | 1982 | F/R |
| 50 | 1981 | 1995 | R |
| 50 | 1988 | | R |
| 80 | 1981 | 1982 | F/R |
| 80 | 1981 | 1982 | R |
| 100 | 1980 | 1983 | F/R |
| 100 | 1979 | 1991 | F/R |
| 100 | 1978 | 1981 | R |
| 100 | 1981 | 1982 | R |
| 100 | 1983 | | R |
| 100 | 1978 | 1981 | R |
| 100 | 1979 | | F |
| 100 | 1978 | 1982 | R |
| 100 | 1979 | | F/R |
| 100 | 1979 | | F/R |
| 100 | 1979 | | F/R |
| 100 | 1978 | 1981 | R |
| 100 | 1978 | 1981 | R |
| 100 | 1978 | 1981 | R |
| 100 | 1978 | 1981 | R |
| 100 | 1978 | 1981 | R |
| 110 | 2002 | | R |



CC FROM TO FRONT / REAR

| CC | FROM | TO | FRONT / REAR |
|-----|------|------|--------------|
| 115 | 1998 | 1999 | R |
| 110 | 1984 | 1986 | F |
| 160 | 1985 | 2000 | F |
| 185 | 1986 | 1987 | F |
| 200 | 1981 | 1984 | F |
| 250 | 1982 | 2000 | F |
| 110 | 1987 | 1988 | F |
| 115 | 1999 | | R |
| 115 | 2000 | | F/R |
| 50 | 1971 | 1978 | F/R |
| 50 | 1995 | 2002 | R |
| 50 | 1971 | 1973 | F/R |
| 50 | 1971 | 1981 | F/R |
| 50 | 1977 | 1980 | R |
| 50 | 1978 | 1980 | F/R |
| 50 | 1979 | | F/R |
| 50 | 1979 | | R |
| 70 | 1974 | | F/R |
| 80 | | | R |
| 80 | 1976 | 1983 | F/R |
| 80 | 1981 | | R |
| 80 | 1977 | 1979 | F/R |
| 90 | 1971 | 1973 | F |
| 100 | 1974 | 1980 | F/R |
| 100 | 1978 | 1987 | R |
| 100 | 1979 | 1992 | R |
| 100 | 1976 | 1978 | F |
| 100 | 1979 | 1981 | F |
| 100 | 1973 | 1975 | F |
| 125 | 1983 | | F/R |
| 125 | 1973 | | R |
| 125 | 2002 | | F |
| 125 | 1972 | 1972 | F |
| 125 | 2010 | | R |
| 185 | 1973 | 1973 | F |
| 250 | 1979 | 1979 | F/R |
| 250 | 1981 | 1982 | F |
| 400 | 1979 | 1981 | F |
| 400 | 1979 | 1981 | F |
| 125 | 2003 | | F/R |
| 125 | 2003 | | R |
| 50 | 2003 | 2007 | R |
| 50 | 1980 | | R |
| 50 | 1981 | 1982 | F/R |
| 50 | 1984 | 2000 | R |
| 50 | 1981 | 1987 | R |
| 80 | 1993 | 2000 | F/R |
| 80 | 2000 | | R |
| 80 | 1980 | 1981 | F/R |
| 100 | 1982 | 1987 | R |
| 125 | 1982 | 1983 | R |
| 50 | 2002 | 2005 | R |
| 50 | 2006 | 2009 | R |
| 250 | 1979 | | R |
| 250 | 1978 | 1979 | R |
| 250 | 1974 | 1981 | R |
| 420 | 1980 | | R |
| 125 | 2008 | | R |
| 200 | 1979 | 1981 | F |
| 250 | 1977 | 1978 | F/R |
| 250 | 1980 | 1980 | F/R |
| 250 | 1981 | 1982 | R |
| 250 | 1976 | 1978 | R |
| 250 | 1979 | | F |
| 250 | 1974 | 1982 | F/R |
| 250 | 1986 | 1989 | R |
| 370 | 1977 | | F/R |
| 400 | 1979 | 1981 | F/R |
| 400 | 1987 | | F/R |
| 400 | 1979 | 1981 | R |
| 400 | 1979 | 1981 | R |
| 400 | 1978 | 1978 | R |
| 400 | 1979 | 1979 | F |
| 400 | 1979 | | F/R |
| 400 | 1979 | | F/R |
| 400 | 1979 | | F/R |
| 500 | 1983 | | F/R |
| 125 | 1984 | 1986 | R |

B = Bike
A = ATV
S = Snowmobile

B = Bike
A = ATV
S = Snowmobile



| | | | CC | FROM | TO | FRONT / REAR | | |
|-----------|------------------------|---------------|--|-------------------------------|-----------|--------------|------|------|
| ...FSB724 | SUZUKI ATV | A | ALT 185 F | 185 | 1985 | 1987 | R | |
| | | A | LT 125 E | 125 | 1984 | 2000 | R | |
| | | A | LT 160 (All models) | 160 | 1989 | 2004 | R | |
| | | A | LT 185 E/F/G/H | 185 | 1984 | 1987 | R | |
| | | A | LT 230 GEF/GEG QUADRUNNER | 230 | 1985 | 1986 | R | |
| | | A | LT-F 230 G/H | 230 | 1986 | 1987 | R | |
| FSB725 | SUZUKI | B | GN 250 F / J | 250 | 1983 | 1997 | R | |
| | | B | GNX 250 E | 250 | 1983 | | R | |
| | | B | GS 250 E | 250 | 1979 | 1981 | R | |
| | | B | GS 250 T - TT - TX | 250 | 1979 | 1981 | R | |
| | | B | GSX 250 E - ET - EX - EZ - T | 250 | 1979 | | R | |
| | | B | GSX 250 S | 250 | 1985 | 1990 | R | |
| | | B | GT 250 EN - ET - EX | 250 | 1978 | | R | |
| | | B | GT 250 X7 | 250 | 1978 | | R | |
| | | B | GN 400 TT | 400 | 1980 | | R | |
| | | B | GSX 400 ET - EX - EZ | 400 | 1980 | 1983 | R | |
| | | B | GSX 400 L | 400 | 1980 | 1983 | R | |
| | | B | GSX 400 TWIN | 400 | 1980 | 1983 | R | |
| | | B | GS 425 EN | 425 | 1978 | 1980 | R | |
| | | B | GS 450 ET - L - T | 450 | 1980 | 1980 | R | |
| | | B | GR 650 - X | 650 | 1983 | | R | |
| | B | LS 650 P | 650 | 1993 | | R | | |
| | B | LS 650 SAVAGE | 650 | 1987 | 1999 | R | | |
| | | SUZUKI ATV | A | LT-A/F 400 EIGER (All models) | 400 | 2002 | 2008 | R |
| | A | | LT-A/F 400 KING QUAD (Left) - All Models | 400 | 2008 | 2009 | R | |
| | A | | LT-F 400 K8 Manual 2WD (Left) | 400 | 2008 | | R | |
| FSB726 | SUZUKI | B | CL 50 D LOVE | 50 | 1983 | | R | |
| | | B | CL 50 D SUZY | 50 | 1983 | | R | |
| | | B | CS 50 D | 50 | 1983 | 1984 | F/R | |
| | | B | CS 50 Z ROADIE | 50 | 1983 | 1984 | F/R | |
| | | A | ALT 50 D/E | 50 | 1983 | 1984 | R | |
| | SUZUKI 3 WHEELERS | A | ALT 50 D/E | 50 | 1983 | 1984 | R | |
| | SUZUKI ATV | A | LT 50 | 50 | 1984 | 1987 | R | |
| FSB727 | E-TON ATV | A | DXL-90 Sierra | 90 | 1999 | 2003 | F | |
| | | A | KSF 50 / KFX 50 | 50 | 2003 | 2007 | F | |
| | KAWASAKI ATV | A | KSF 80 / KFX 80 | 80 | 2003 | 2006 | F | |
| | | A | KSF 90 / KFX 90 | 90 | 2006 | 2007 | F | |
| | SUZUKI | B | CARNA 50 | 50 | 1990 | | F | |
| | | B | CL 50 D LOVE | 50 | 1983 | | F | |
| | | B | CL 50 D SUZY | 50 | 1983 | | F | |
| | | | B | F 50 SUZY | 50 | | F/R | |
| | | SUZUKI ATV | B | FS 50 T - X SNIP | 50 | 1981 | 1982 | F/R |
| | A | | LT-A 50 QUADSPORT | 50 | 2002 | 2005 | F | |
| A | LT-Z 50 QUADSPORT | | 50 | 2006 | 2009 | F | | |
| A | LT 80 all models | | 80 | 1987 | 2007 | F | | |
| A | LT-Z 90 QUADSPORT | | 90 | 2006 | 2010 | F | | |
| FSB728 | SUZUKI | B | RG 50 GAG - GAMMA | 50 | 1987 | | R | |
| | | B | S 50 K | 50 | 1993 | | F | |
| | | B | RM 100 N-T-X | 100 | 1979 | 1981 | R | |
| | | B | RM 125 N - T | 125 | 1979 | 1980 | R | |
| | | B | TS 125 X | 125 | 1988 | | R | |
| | | B | TS 240 X | 240 | 1988 | 1990 | R | |
| | | | | B | TS 240 X | 240 | 1988 | 1990 |
| FSB729 | SUZUKI | B | TS 50 XKE-XKG all models | 50 | 1984 | 2000 | F | |
| | | B | TS 80 X | 80 | 1984 | | F | |
| | | B | RM 125 N | 125 | 1979 | 1980 | R | |
| | | B | TS 125 L - LC - XE | 125 | 1984 | 1987 | R | |
| | | B | TX 125 XF | 125 | 1985 | | R | |
| | | | | B | TX 125 XF | 125 | 1985 | |
| FSB730 | MBK | B | CHAMP 50 | 50 | | | F/R | |
| | | B | CA 50 SALIENT | 50 | 1983 | 1986 | F | |
| | YAMAHA | B | MA 50 M | 50 | 1981 | | F/R | |
| | | B | MINT 50 | 50 | 1996 | | F | |
| | | B | MJ 50 M TOWNY | 50 | 1981 | 1993 | F/R | |
| | | B | MS 50 | 50 | 1985 | 1986 | F | |
| | | B | PW 50 | 50 | 1980 | | F/R | |
| | | B | QA 50 POCCKE | 50 | 1983 | | F/R | |
| | | B | QB 50 VOGEL | 50 | 1983 | | F/R | |
| | | B | QT 50 | 50 | 1980 | | F/R | |
| | | B | SA 50 M - ME PASSOLA | 50 | 1980 | 1984 | F | |
| | | B | SH 50 RAZZ | 50 | 1993 | | F | |
| | | FSB731 | ADLY | B | Cat 50 | 50 | 1998 | |
| B | Fox 50 / SILVER FOX 50 | | | 50 | 2000 | | R | |
| B | G-Shock 50 | | | 50 | 1998 | | R | |
| B | Jet 50 | | | 50 | 1996 | | R | |
| B | Pista 50 | | | 50 | 1996 | | R | |
| B | Predator 50 | | | 50 | 2000 | | R | |
| B | Super Sonic 50 | | | 50 | 2000 | | R | |
| B | Thunderbike 50 | | | 50 | 1997 | | R | |
| B | Cat 100 | | | 100 | 1998 | | R | |
| B | G-Shock 100 | | | 100 | 1998 | | R | |



| | | | CC | FROM | TO | FRONT / REAR | | |
|-------------|---------------------|------------------|---|-----------------------|------|--------------|------|-----|
| BENELLI | BRANDY-BRAS | B | Jet 100 | 100 | 1996 | | R | |
| | | B | Predator 100 | 100 | 2000 | | R | |
| | | B | Cat 125 | 125 | 1998 | | R | |
| | | B | QuattroNove X (50cc/All Rear Drum Models) | 50 | 2008 | 2012 | R | |
| | | B | BRANDY 50 | 50 | | | R | |
| | | B | BRANDY 90 | 90 | | | R | |
| | | CPI | B | HUSSAR 50 | 50 | 2001 | 2002 | R |
| | | | B | OLIVER 50 | 50 | 2003 | 2005 | R |
| | | FANTIC | B | HUSSAR 50 / 125 / 150 | 125 | 2003 | | R |
| | | | B | PONY 50 | 50 | 1993 | | F/R |
| ITALJET | KEEWAY | B | PONY 50 SR | 50 | 1993 | | R | |
| | | B | QUEENIE 50 | 50 | 1995 | | R | |
| | | B | ADLY 50 | 50 | 1990 | 1995 | R | |
| | | B | Agora 50 (2T/4T) | 50 | 2010 | 2011 | R | |
| | | B | ARN 50 (25/45) | 50 | 2010 | 2011 | R | |
| | | B | Easy/Hurricane 50 (25/45) | 50 | 2007 | 2012 | R | |
| | | B | F-Act 50 | 50 | 2007 | 2010 | R | |
| | | B | F-Act- 50 Racing (25/45) | 50 | 2010 | 2012 | R | |
| | | B | F-Act- 50 RS | 50 | 2010 | 2011 | R | |
| | | B | F-Act-NKD 50 | 50 | 2009 | 2011 | R | |
| KOTIR | KSR MOTO BY GENERIC | B | Flash 50 | 50 | 2007 | 2009 | R | |
| | | B | Flash 50 Electric | 50 | 2009 | 2010 | R | |
| | | B | Goccia 50 | 50 | 2008 | 2011 | R | |
| | | B | Hacker 50 | 50 | 2008 | 2009 | R | |
| | | B | Hurricane 50 | 50 | 2007 | 2009 | R | |
| | | B | Hurricane 50-Base | 50 | 2007 | | R | |
| | | B | Matrix V4 50 (25/45) | 50 | 2010 | 2011 | R | |
| | | B | Pixel 50 | 50 | 2008 | 2012 | R | |
| | | B | RY6 50cc (25/45) | 50 | 2010 | 2011 | R | |
| | | B | RY8 50cc (All models) | 50 | 2007 | 2009 | R | |
| LEM | MBK | B | RY8 SP 50cc (25/45) | 50 | 2010 | 2011 | R | |
| | | B | Swan 50 (25/45) | 50 | 2010 | 2011 | R | |
| | | B | F-Act 125 | 125 | 2007 | 2011 | R | |
| | | B | RS 50 | 50 | 1990 | | F/R | |
| | | B | Epico Electric | 50 | 2012 | | R | |
| | | B | 50 GT Race Explorer | 50 | 2009 | | R | |
| | | B | Cracker 50 | 50 | 2009 | 2012 | R | |
| | | B | Epico 50 (2T) | 50 | 2010 | 2012 | R | |
| | | B | Jump 50 (2T) | 50 | 2012 | | R | |
| | | B | Onyx 50 (2T/All Models) | 50 | 2010 | 2012 | R | |
| PEUGEOT | PGO | B | Race 2 50 (2T) | 50 | 2010 | 2011 | R | |
| | | B | Roc 50 | 50 | 2008 | 2011 | R | |
| | | B | Sirion 50 (2T) | 50 | 2012 | | R | |
| | | B | Toxic 50 Sport (2T) | 50 | 2012 | | R | |
| | | B | Vendetta 50 (2T) | 50 | 2012 | | R | |
| | | B | Race 2 125 (4T) | 125 | 2010 | 2012 | R | |
| | | B | Sirion 125 (4T) | 125 | 2012 | | R | |
| | | B | Vertigo (4T) | 125 | 2012 | | R | |
| | | B | FLASH 50 | 50 | 1994 | | R | |
| | | B | GHIBLI 50 | 50 | 1990 | | F/R | |
| POLARIS ATV | YAMAHA | B | BOOSTER 50 NEXT GENERATION | 50 | 1996 | 1998 | R | |
| | | B | EVOLIS 50 | 50 | 1992 | | R | |
| | | B | OVETTO 50 | 50 | 1997 | | R | |
| | | B | ROCKET 50 | 50 | 1996 | 1998 | R | |
| | | B | SORRISO 50 | 50 | 1992 | 1996 | F/R | |
| | | B | STUNT 50 | 50 | 2000 | | R | |
| | | B | TARGET 50 | 50 | 1992 | | R | |
| | | B | X-LIMIT 50 | 50 | 1998 | 2003 | R | |
| | | B | EVOLIS 80 | 80 | 1994 | | R | |
| | | B | XC 125 FLAME | 125 | 1998 | | R | |
| RAPIDO | YAMAHA | B | XC 125 FLAME R | 125 | 1998 | | R | |
| | | B | Sum-Up (125cc) | 125 | 2008 | 2011 | R | |
| | | B | Tweet 125 (4T/Rear Drum Model) | 125 | 2010 | 2012 | R | |
| | | B | Vivacity 125 (4T) | 125 | 2010 | 2012 | R | |
| | | B | Vivacity Sixties 125 (4T) | 125 | 2011 | 2012 | R | |
| | | B | Tweet 150 (4T/Rear Drum Model) | 150 | 2010 | 2012 | R | |
| | | B | MY BUBU 50 | 50 | 2003 | | R | |
| | | A | SCRAMBLER (3 wheeler) | 1985 | 1986 | | F | |
| | | A | TRAIL BOSS 2x4 | 1985 | 1987 | | F | |
| | | A | CYCLONE 250 X | 250 | 1987 | 2000 | F | |
| B | SCREENNA 50 | 50 | | | R | | | |
| YAMAHA | B | 50 SPY | 50 | 1996 | 1998 | R | | |
| | B | BW's NAKED 50 | 50 | 2003 | 2004 | R | | |
| | B | CR 50 TARGET | 50 | 1991 | | R | | |
| | B | CR 50 Z | 50 | 1992 | | R | | |
| | B | CS 50 Jog R | 50 | 2002 | 2005 | R | | |
| | B | CS 50 Z (Jog RR) | 50 | 2003 | 2005 | R | | |
| B | CT 50 SUPER SPORT | 50 | 1990 | | F/R | | | |



CC FROM TO FRONT / REAR

...FSB731

| | | | | | |
|---|--------------------------|-----|------|------|-----|
| B | DT 50 LCD | 50 | 1996 | 1998 | R |
| B | DT 50 R | 50 | 1997 | | R |
| B | EW 50 SLIDER | 50 | 2000 | 2003 | R |
| B | YE 50 ZEST | 50 | 1992 | | R |
| B | YH 50 WHY | 50 | 1999 | | R |
| | YN 50 NEO'S | 50 | 2002 | 2006 | R |
| | YN 50 R NEO'S | 50 | 1997 | 2002 | R |
| B | YSR 50 | 50 | 1986 | 1987 | R |
| B | YSR 60 | 60 | 1986 | 1987 | R |
| B | 80 BELUGA | 80 | 2000 | | F/R |
| B | TY 80 | 80 | 1983 | | R |
| B | YSR 80 | 80 | 1986 | | R |
| B | CR 90 TARGET | 90 | 1991 | | R |
| B | TT-R 90 | 90 | 2000 | 2004 | R |
| B | RT 100 | 100 | 1994 | 2003 | F/R |
| B | YB 100 | 100 | 1982 | 1986 | R |
| B | YB 100 | 100 | 1987 | 1992 | F/R |
| B | YZ 100 J - K | 100 | 1982 | 1983 | F |
| B | SR 125 | 125 | 1997 | 2003 | R |
| B | SR 125 SE | 125 | 1982 | 1992 | R |
| B | TT-R 125 | 125 | 2000 | | F/R |
| B | TT-R 125 LW | 125 | 2000 | 2012 | R |
| B | TW 125 | 125 | 1998 | 2002 | R |
| B | XC 125 CYGNUS | 125 | 1996 | 1997 | R |
| B | XC 125 CYGNUS T | 125 | 1995 | | R |
| B | TW 200 | 200 | 1989 | 1992 | R |
| B | TW 200 | 200 | 1993 | 2000 | R |
| B | TW 200 | 200 | 2001 | 2003 | R |
| B | SEROW 225 XT | 225 | 1985 | 1992 | R |
| B | TT-R 225 | 225 | 1999 | 2002 | R |
| A | YT 175 J/K | 175 | 1982 | 1983 | F |
| A | YTM 200 EK/EL | 200 | 1983 | 1984 | F |
| A | YTM 200 ERN | 200 | 1985 | 2000 | F |
| A | YTM 200 K/L/N | 200 | 1983 | 1985 | F |
| A | YTM 225 DRN/DRS | 225 | 1985 | 1986 | F |
| A | YTM 225 DXK/DXL/DXN | 225 | 1983 | 1985 | F |
| A | YFM 50 RAPTOR | 50 | 2004 | 2007 | F |
| A | YFM 80 BADGER | 80 | 1992 | 2001 | F |
| A | YFM 80 GRIZZLY | 80 | 2005 | 2008 | F |
| A | YFM 80 RAPTOR | 80 | 2002 | 2008 | F |
| A | YFM 100 W/A/B CHAMP | 100 | 1989 | 1991 | F |
| A | YFA1 125 BREEZE | 125 | 1989 | 1991 | F |
| A | YFA1 125 BREEZE | 125 | 1992 | 2004 | F |
| A | YFM 125 GRIZZLY | 125 | 2004 | 2010 | F |
| A | YFM 200 (Moto 4) | 200 | 1985 | 1989 | F |
| A | YFS 200 BLASTER | 200 | 1988 | 2002 | F |
| A | YFM 225 (Moto 4) | 225 | 1986 | 1988 | F |
| A | YFB 250 D/E/F TIMBERWOLF | 250 | 1992 | 1994 | F |

YAMAHA 3 WHEELERS

YAMAHA ATV

FSB732

| | | | | | | |
|---------|---|----------------------|-----|------|------|-----|
| CPI | B | POPCORN 50 | 50 | 2003 | | R |
| GARELLI | B | GRINTA | 50 | 1995 | | R |
| | B | PONY 50 | 50 | 1992 | | F/R |
| | B | PONY 50 SR | 50 | 1992 | 1995 | R |
| | B | QUEENIE | 50 | 1995 | | R |
| HONDA | B | CN 250 HELIX | 250 | 1986 | 1987 | R |
| YAMAHA | B | 50 CHAPPY | 50 | 1980 | | F/R |
| | B | DT 50 M - MX | 50 | 1978 | 1987 | F/R |
| | B | FS 1 50 E | 50 | 1974 | 1975 | F/R |
| | B | FS 1 50 E DX | 50 | 1976 | 1979 | R |
| | B | FS 1 50 SE | 50 | 1981 | 1982 | F/R |
| | B | LB 2 50 M CHAPPY | 50 | 1980 | | F/R |
| | B | LC 50 M | 50 | 1980 | | F/R |
| | B | RD 50 M | 50 | 1978 | | R |
| | B | RD 50 MX | 50 | 1981 | 1987 | R |
| | B | TY 50 M | 50 | 1979 | | F/R |
| | B | V 50 M - P | 50 | 1974 | 1982 | F/R |
| | B | V 70 A | 70 | 1976 | | F/R |
| | B | BOP 80 2 | 80 | 1980 | | F/R |
| | B | DT 80 LC | 80 | 1981 | | F/R |
| | B | DT 80 LC - LC II - N | 80 | 1985 | | R |
| | B | DT 80 MX - MX-S | 80 | 1981 | | F/R |
| | B | FS 80 SE | 80 | 1981 | 1982 | F/R |
| | B | RD 80 AIR COOLED | 80 | 1981 | 1982 | R |
| | B | RD 80 LC2 - LCS | 80 | 1982 | | R |
| | B | RD 80 MX | 80 | 1981 | 1982 | R |
| | B | RX 80 SE | 80 | 1982 | | R |
| | B | TY 80 | 80 | 1977 | | R |
| | B | V 80 | 80 | 1979 | 1982 | F/R |
| | B | YZ 80 | 80 | 1977 | 1979 | R |



CC FROM TO FRONT / REAR

FSB733

| | | | | | | |
|---------|----------------------|----------------------------------|------|------|------|-----|
| B | V 90 | 90 | 1978 | | F/R | |
| B | DT 100 | 100 | 1976 | 1980 | F | |
| B | RS 100 | 100 | 1975 | 1977 | F/R | |
| B | RS 100 all models | 100 | 1977 | 1980 | R | |
| B | YB 100 | 100 | 1978 | 1981 | F/R | |
| B | YB 100 | 100 | 1982 | 1986 | F | |
| B | YZ 100 E - F - G - H | 100 | 1978 | 1981 | F | |
| B | IT 125 G - H - J | 125 | 1980 | 1982 | F | |
| B | TY 125 | 125 | 1982 | | F | |
| B | TY 175 | 175 | 1977 | 1980 | F | |
| B | TW 200 T/U/W | 200 | 1987 | 1988 | R | |
| B | TY 250 D - E - F - G | 250 | 1977 | 1980 | F | |
| B | TY 250 R | 250 | 1991 | 1993 | R | |
| B | TY 250 S - RS | 250 | 1984 | 1990 | R | |
| APRILIA | B | SCARABEO 100 (Minarelli engine) | 100 | 2000 | R | |
| KEEWAY | B | Matrix 125 | 125 | 2007 | 2010 | R |
| | B | F-Act 150 | 150 | 2007 | 2010 | R |
| | B | Matrix 150 | 150 | 2007 | 2010 | R |
| MBK | B | NITRO 100 | 100 | 2000 | 2003 | R |
| | B | OVETTO 100 | 100 | 2000 | 2002 | R |
| SACHS | B | ROADSTER 125 | 125 | 2000 | 2003 | R |
| SINNIS | B | Pioneer 125 | 125 | 2009 | 2010 | R |
| | B | QM 125 T- Matrix | 125 | 2010 | | R |
| | B | QM 125 T-10H Matrix II | 125 | 2010 | | R |
| | B | QM 125 T-10R Eagle 125 | 125 | 2010 | | R |
| | B | QM 125-2 V Max 125 | 125 | 2008 | 2010 | R |
| | B | Sublime 125 | 125 | 2009 | 2010 | R |
| | B | WY 125 T-56A Nitro 125 | 125 | 2009 | 2010 | R |
| YAMAHA | B | DT 80 LC2 | 80 | 1993 | | R |
| | B | RD 80 LC1 | 80 | 1982 | | R |
| | B | TZR 80 | 80 | 2000 | | R |
| | B | DT 100 | 100 | 1976 | 1980 | R |
| | B | YQ 100 AEROX | 100 | 2000 | | R |
| | B | YZ 100 E - F - G - H | 100 | 1978 | 1981 | R |
| | B | YZ 100 J - K | 100 | 1982 | 1983 | R |
| | B | 125 ACTIVE | 125 | 1990 | | F/R |
| | B | BL 125 BELUGA | 125 | 1985 | 1987 | F/R |
| | B | BL 125 BELUGA | 125 | 1988 | 1992 | R |
| | B | DT 125 (Italia) | 125 | 1986 | 1987 | R |
| | B | DT 125 CHESTERFIELD SCOUT | 125 | 1988 | | R |
| | B | DT 125 CHESTERFIELD SCOUT | 125 | 1989 | | R |
| | B | DT 125 E - LC - MX | 125 | 1974 | 1984 | F/R |
| | B | DT 125 LC - R | 125 | 1985 | 1986 | R |
| | B | DT 125 LC TENERE | 125 | 1988 | | R |
| | B | DT 125 MX (drum brakes) | 125 | 1992 | | F/R |
| | B | DT 125 TENERE (Italia) | 125 | 1987 | | R |
| | B | IT 125 G - H - J | 125 | 1980 | 1982 | R |
| | B | RD 125 DX | 125 | 1975 | 1977 | R |
| | B | RD 125 LC | 125 | 1982 | 1984 | R |
| | B | RD 125 LC R | 125 | 1985 | 1987 | R |
| | B | RS 125 | 125 | 1975 | | R |
| | B | RS 125 DX | 125 | 1976 | 1980 | R |
| | B | SR 125 SE | 125 | 1982 | 1992 | F |
| | B | TY 125 | 125 | 1982 | | R |
| | B | TZR 125 | 125 | 1987 | 1989 | R |
| | B | XC 125 BELUGA | 125 | 1993 | | R |
| | B | YZ 125 C - D - E - F - G - H - J | 125 | 1976 | 1982 | R |
| | B | DT 175 MX | 175 | 1974 | 1983 | F/R |
| | B | IT 175 G - H - I | 175 | 1980 | 1982 | R |
| | B | TY 175 | 175 | 1977 | 1980 | R |
| | B | RT 180 | 180 | 1990 | 1992 | R |
| | B | XC 180 GYGNUS | 180 | 1983 | 1985 | F |
| | B | TW 200 | 200 | 1989 | 1992 | F |
| | B | XV 240 VIRAGO | 240 | 1991 | 1992 | R |
| | B | SR 250 | 250 | 1987 | | R |
| | B | SR 250 E (Espana) | 250 | 1990 | 1994 | R |
| | B | SR 250 SE | 250 | 1980 | 1982 | R |
| | B | TT 250 S | 250 | 1987 | 1992 | R |
| | B | TY 250 D - E - F - G | 250 | 1977 | 1980 | R |
| | B | XL 250 G | 250 | 1980 | | R |
| | B | XT 250 | 250 | 1980 | | F/R |
| | B | XV 250 VIRAGO | 250 | 1993 | 1994 | R |
| | B | YZ 250 | 250 | 1985 | 1987 | R |
| | B | YZ 250 G | 250 | 1980 | | R |
| | B | YZ 250 J - K - L | 250 | 1982 | 1984 | R |
| | B | TT 350 | 350 | 1986 | 1990 | R |
| | B | XT 350 | 350 | 1988 | 1990 | R |
| | B | XT 350 | 350 | 1991 | | R |

B = Bike
A = ATV
S = Snowmobile

FERODO
MOTORCYCLE PADS
Updated on 30th Jan 2014

B = Bike
A = ATV
S = Snowmobile

3059



CC FROM TO FRONT / REAR

| Code | Brand | Model | CC | FROM | TO | FRONT / REAR | |
|-------------------------|------------|--------------------------|---------------------------------|------------------------|------|--------------|------|
| ...FSB733 | YAMAHA ATV | B XT 350 | 350 | 1992 | 1995 | R | |
| | | B XT 350 4 VALVES | 350 | 1986 | 1987 | R | |
| | | B IT 490 L | 490 | 1983 | 1984 | R | |
| | | B YZ 490 K - L | 490 | 1983 | 1984 | R | |
| | | B TT 600 | 600 | 1987 | 1992 | R | |
| | | B TT 600 L | 600 | 1983 | 1984 | R | |
| | | B TT 600 N | 600 | 1985 | 2000 | R | |
| | | B XT 600 4 VALVES | 600 | 1986 | 1986 | R | |
| | | B XT 600 Z TENERE | 600 | 1985 | 1987 | R | |
| | | A YFM 80 N/S (MOTO4) | 80 | 1985 | 1986 | R | |
| | | A YFM 80 T/U | 80 | 1987 | 1988 | R | |
| | | A YFM 100 T/U CHAMP | 100 | 1987 | 1988 | R | |
| | | A YFM 100 W/A/B CHAMP | 100 | 1989 | 1991 | R | |
| A YFA1 125 BREEZE | 125 | 1989 | 1991 | R | | | |
| FSB734 | YAMAHA | B RS 125 | 125 | 1975 | | F | |
| | | B XC 180 GYGNUS | 180 | 1983 | 1985 | R | |
| | | B RD 200 DX | 200 | 1975 | 1978 | R | |
| | | B RS 200 | 200 | 1979 | | F/R | |
| | | B RS 200 C | 200 | 1975 | 1980 | R | |
| | | B TW 200 T/U/W | 200 | 1987 | 1988 | F | |
| | | B DT 250 MX | 250 | 1975 | 1980 | R | |
| | | B IT 250 H - J - K | 250 | 1981 | 1983 | R | |
| | | B IT 250 L | 250 | 1984 | | R | |
| | | B TY 250 H | 250 | 1981 | 1983 | R | |
| | | B YZ 250 H | 250 | 1981 | | R | |
| | | B XT 350 4 VALVES | 350 | 1985 | | R | |
| | | B DT 400 MX | 400 | 1975 | 1977 | R | |
| | | B SR 400 | 400 | 2014 | | R | |
| | | B IT 465 H - I | 465 | 1981 | 1982 | R | |
| | | B YZ 465 G - H - J - U | 465 | 1980 | | R | |
| | | B YZ 490 | 490 | 1985 | 1987 | R | |
| | | B YZ 490 J | 490 | 1982 | 1982 | R | |
| | | B SR 500 | 500 | 1978 | 1982 | R | |
| | | B SR 500 | 500 | 1993 | | R | |
| | | B XT 500 | 500 | 1976 | 1981 | R | |
| | | B XT 500 (Austria) | 500 | 1983 | | R | |
| | | B XT 550 | 550 | 1982 | 1983 | F/R | |
| | | B TT 600 N | 600 | 1985 | 1988 | R | |
| | | B XT 600 4 VALVES | 600 | 1984 | 1985 | R | |
| | | B XT 600 Z TENERE | 600 | 1983 | 1984 | R | |
| | | FSB735 | YAMAHA | B RD 250 A - B - C | 250 | 1974 | 1977 |
| B RD 250 LC | 250 | | | 1980 | | R | |
| B RD 250 LC | 250 | | | 1981 | 1983 | R | |
| B RD 350 A - B | 350 | | | 1974 | 1976 | R | |
| B RD 350 LC | 350 | | | 1980 | | R | |
| B RD 350 LC | 350 | | | 1981 | 1982 | R | |
| B RD 350 S | 350 | | | 1974 | 1976 | R | |
| B XS 360 B | 360 | | | 1975 | 1975 | R | |
| B XS 650 | 650 | | | 1975 | 1976 | R | |
| B XS 650 | 650 | | | 1977 | 1981 | R | |
| B XS 650 SE | 650 | | | 1981 | | R | |
| FSB736 | SINNIS | | | B QM 125-2 C Vista 125 | 125 | 2008 | 2010 |
| | YAMAHA | B XS 250 C | 250 | 1980 | | R | |
| | | B XS 250 D - E | 250 | 1979 | 1981 | R | |
| | | B XS 250 SE - SF SPECIAL | 250 | 1979 | 1981 | R | |
| | | B YP 250 MAJESTY | 250 | 1996 | 1997 | R | |
| | | B XS 400 | 400 | 1979 | 1979 | R | |
| | | B XS 400 DOHC | 400 | 1982 | | R | |
| | | B XS 400 SE | 400 | 1980 | 1981 | R | |
| | | B XS 400 SPECIAL | 400 | 1982 | | R | |
| | | YAMAHA ATV | A YFM 350 4x4 Grizzly | 350 | 2007 | 2010 | R |
| | | | A YFM 350 BRUIN (All Models) | 350 | 2004 | 2006 | R |
| | | | A YFM 350 FW 4WD BIG BEAR | 350 | 1999 | 2003 | R |
| | | | A YFM 350 FW H/J/K BIG BEAR | 350 | 1996 | 1998 | R |
| | | | A YFM 400 BIG BEAR (All Models) | 400 | 2000 | 2007 | R |
| | | | A YFM 400 FW KODIAK | 400 | 1993 | 1998 | R |
| A YFM 400 KODIAK AUTO | 400 | | 2003 | | R | | |
| A YFM 600 GRIZZLY (All) | 600 | 1998 | 2001 | R | | | |
| FSB737 | YAMAHA | B YZ 125 | 125 | 1985 | 1987 | R | |
| | | B YZ 125 K - N - L | 125 | 1983 | 1984 | R | |
| | | B IT 200 | 200 | 1984 | | F/R | |
| | | B TY 250 S - RS | 250 | 1984 | 1990 | F | |
| FSB738 | MBK | B ACTIVE 50 | 50 | 1990 | | F | |
| | | B BOOSTER 50 | 50 | 2000 | | F/R | |
| | | B BOOSTER 50 / SPIRIT | 50 | 1996 | | R | |
| | | B BOOSTER 50 R | 50 | 1994 | 1995 | R | |
| | | B BOOSTER 50 TRACK | 50 | 1996 | 1998 | R | |
| | | B FIZZ 50 | 50 | 1994 | | R | |



CC FROM TO FRONT / REAR

| Code | Brand | Model | CC | FROM | TO | FRONT / REAR | | |
|------------------------|-------------------|------------------------|---------------------------|----------------------|------|--------------|------|-----|
| | YAMAHA | B FLIPPER 50 | 50 | 1998 | | R | | |
| | | B FORTE 50 | 50 | 1995 | | R | | |
| | | B ACTIVE 75 | 75 | 1990 | | F | | |
| | | B ACTIVE 80 | 80 | 1990 | | F | | |
| | | B 50 BELUGA | 50 | 1990 | 1995 | F | | |
| | | B 50 BREEZE | 50 | 1994 | 1996 | R | | |
| | | B 50 GRAFIX | 50 | 1993 | | F/R | | |
| | | B 50 TRAFIC | 50 | 1993 | | F/R | | |
| | | B 50 ZUMA | 50 | 1996 | | R | | |
| | | BW'S / ZUMA II 50 | 50 | 1995 | | R | | |
| | | BW'S 50 | 50 | 1992 | 1994 | F/R | | |
| | | B CW 50 RS | 50 | 1995 | | R | | |
| | | CY 50 JOG-IN | 50 | 1991 | 1995 | R | | |
| | | B DT 50 | 50 | 1988 | 1992 | F/R | | |
| | | B DT 50 R | 50 | 1993 | 1997 | R | | |
| | | B JOG 50 | 50 | 1990 | 1991 | F/R | | |
| | | B MINI 50 L SHAFT | 50 | 1983 | | R | | |
| | | B V 50 M | 50 | 1983 | | F/R | | |
| | | B YE 50 ZEST | 50 | 1993 | 1995 | R | | |
| | | B 80 BELUGA | 80 | 1990 | | F | | |
| | YAMAHA 3 WHEELERS | B DT 80 (España) | 80 | | | F/R | | |
| | | B DT 80 LC (España) | 80 | 1989 | | R | | |
| | | B PW 80 | 80 | 1991 | | R | | |
| | | B T 80 TOWNMATE | 80 | 1983 | 1997 | F/R | | |
| | | B V 80 | 80 | 1983 | | F/R | | |
| | | B RX 100 | 100 | 1983 | 1996 | F/R | | |
| | | B 105 CRIPTON | 105 | 1986 | 1998 | R | | |
| | | B XT 125 | 125 | 1976 | | R | | |
| | | YAMAHA ATV | A YT 60 L/N TRI-ZINGER | 60 | 1984 | 1985 | R | |
| | | | A YF 60 S (MOTO4) | 60 | 1986 | 2000 | R | |
| | | YAMAHA ATV | A YFM 80 T/U | 80 | 1987 | 1988 | F | |
| | | | A YFM 100 T/U CHAMP | 100 | 1987 | 1988 | F | |
| | | FSB739 | MBK | B ACTIVE 50 | 50 | 1990 | | R |
| | | | | B ACTIVE 50 | 50 | 2000 | | F/R |
| | | | | B ACTIVE 75 | 75 | 1990 | | R |
| | | | | B ACTIVE 80 | 80 | 1990 | | R |
| | | | | B ACTIVE 80 | 80 | 2000 | | F/R |
| | | | | B 50 BELUGA | 50 | 1990 | 1995 | R |
| | | | | B 50 BELUGA | 50 | 2000 | | F/R |
| | | | | B CA 50 SALIENT | 50 | 1983 | 1986 | R |
| CY 50 JOG-IN | 50 | | | 1991 | 1995 | F | | |
| B JOG 50 (Brasil) | 50 | | | | | R | | |
| B JOG 50 (España) | 50 | | | 1988 | | R | | |
| B LC 50 M BOP | 50 | | | 1980 | | F/R | | |
| B MINT 50 | 50 | | | 1996 | | R | | |
| B MS 50 | 50 | 1985 | 1986 | R | | | | |
| B RS 50 CHAMP | 50 | 1988 | | R | | | | |
| B SA 50 M - ME PASSOLA | 50 | 1980 | 1984 | R | | | | |
| B SG 50 STING | 50 | 1984 | | F/R | | | | |
| B SH 50 RAZZ | 50 | 1993 | | R | | | | |
| B 80 BELUGA | 80 | 1990 | | R | | | | |
| B PW 80 | 80 | 1991 | | F | | | | |
| B JOG 90 | 90 | 1990 | 1994 | R | | | | |
| B JOG 90 (Brasil) | 90 | | | R | | | | |
| FSB740 | HONDA | B NX 250 | 250 | 1988 | 1990 | R | | |
| | | B NX 250 DOMINATOR | 250 | 1988 | 1990 | R | | |
| | | B NX 250 DOMINATOR | 250 | 1993 | | R | | |
| | | B XL 250 | 250 | 1991 | | R | | |
| | | B XL 250 DEGREE | 250 | 1991 | | R | | |
| | | B XL 250 RC - RH | 250 | 1982 | | R | | |
| | | B XL 250 S - SZ - SA | 250 | 1978 | 1981 | R | | |
| | | B XLX 250 | 250 | 1984 | | R | | |
| | | B XR 250 RB - RD | 250 | 1981 | 1983 | R | | |
| | | B XR 250 RE - RH | 250 | 1984 | 1987 | R | | |
| FSB741 | HONDA | B XR 250 Z - SZ - SA | 250 | 1979 | 1980 | R | | |
| | | B XL 350 R | 350 | 1985 | 1986 | R | | |
| | | B CB 550 F - F1 - F2 | 550 | 1978 | | R | | |
| B CB 550 K3 | 550 | 1978 | | R | | | | |
| FSB742 | HONDA | B CB 250 B4 | 250 | 1973 | 1975 | R | | |
| | | B CB 250 G - G5 | 250 | 1975 | | R | | |
| | | B CB 250 K3 - K4 - K5 | 250 | 1973 | 1975 | R | | |
| | | B CJ 250 I | 250 | 1977 | | R | | |
| | | B CB 350 K4 | 350 | | | R | | |
| | | B CB 360 G5 all models | 360 | 1975 | | R | | |
| | | B CJ 360 T all models | 360 | 1978 | | R | | |
| | | B CB 400 F - F1 - F2 | 400 | 1975 | 1979 | R | | |
| | | HONDA 3 WHEELERS | A ATC 250 SX / ES BIG RED | 250 | 1985 | 1987 | R | |
| | | | HONDA ATV | A TRX 250 Drum Brake | 250 | 1985 | 1987 | R |



CC FROM TO FRONT / REAR

| | | | | | | | |
|--------|----------------|---|------------------------------------|-----|------|------|-----|
| FSB742 | | A | TRX 250 Fourtrax | 250 | 1985 | 1987 | R |
| | | A | TRX 300 (2WD) Fourtrax | 300 | 1988 | 2000 | R |
| | | A | TRX 300 (4WD) FW Fourtrax | 300 | 1988 | 2000 | R |
| FSB743 | HONDA | B | CR 250 RA | 250 | 1979 | 1980 | R |
| | | B | CR 250 RZ | 250 | 1979 | 1980 | R |
| | | B | XL 500 SA - SB | 500 | 1980 | | F |
| FSB744 | HONDA | B | CR 250 RB | 250 | 1980 | | F |
| | | B | CR 250 RS | 250 | 2000 | | F |
| | | B | XR 250 RB - RD | 250 | 1981 | 1983 | F |
| | | B | CR 450 RB - RS | 450 | 1981 | | F |
| | | B | CR 480 RC | 480 | 1982 | | F |
| | | B | XR 500 R - RB | 500 | 1981 | 1983 | F |
| FSB745 | HONDA | B | CR 125 RC | 125 | 1982 | 1983 | F/R |
| | | B | CR 125 RD | 125 | 1983 | 1984 | F |
| | | B | CR 250 RC | 250 | 1982 | | F |
| | | B | CR 250 RD | 250 | 1983 | | F |
| | | B | CR 480 RD | 480 | 1983 | | F |
| FSB746 | HONDA | B | CR 125 RD | 125 | 1983 | 1984 | R |
| | | B | CR 125 RE | 125 | 1984 | 1985 | R |
| | | B | MBX 125 RWB | 125 | 1984 | 1986 | R |
| | | B | CR 250 RD | 250 | 1983 | | R |
| | | B | CR 250 RE | 250 | 1984 | 1985 | R |
| | | B | XL 350 RD | 350 | 1983 | | F |
| | | B | CR 480 RD | 480 | 1983 | | R |
| | | B | CR 500 RE - G - H - J | 500 | 1984 | 1985 | R |
| FSB747 | HONDA | B | CR 125 RA | 125 | 1979 | 1981 | F |
| | | B | CR 125 RB | 125 | 1979 | 1981 | F |
| | | B | CR 125 RS | 125 | 1979 | 1981 | F |
| | | B | CR 125 RZ | 125 | 1979 | 1981 | F |
| | | B | CR 250 RA | 250 | 1979 | 1980 | F |
| | | B | CR 250 RZ | 250 | 1979 | 1980 | F |
| | | B | XR 500 SA - SZ | 500 | 1979 | 1980 | F |
| FSB748 | HONDA | B | CH 250 ELITE | 250 | 1985 | 1986 | R |
| | | B | CH 250 SPACY | 250 | 1985 | 1986 | R |
| | | B | CN 250 ELITE | 250 | 1985 | 1986 | R |
| | | B | CN 250 HELIX-FUSION | 250 | 1992 | | R |
| FSB749 | HONDA | B | CB 175 all models | 175 | 1974 | 1976 | R |
| | | B | CB 200 B - T | 200 | 1977 | 1979 | R |
| | | B | CB 250 RSA - RSD - RSE | 250 | 1981 | 1984 | R |
| | | B | CL 250 SC | 250 | 1981 | | R |
| | | B | MXV 250 F | 250 | 1988 | | R |
| | | B | VT 250 F INTEGRA | 250 | 1987 | | R |
| | | B | VT 250 F2 | 250 | 1982 | | R |
| | | B | VT 250 F2 | 250 | 1983 | 1984 | R |
| | | B | VT 250 FZ | 250 | 1982 | 1987 | R |
| | | B | VTR 250 INTERCEPTOR | 250 | 1988 | | R |
| | | B | VTZ 250 | 250 | 1988 | | R |
| | | B | XL 500 SA - SB | 500 | 1980 | | R |
| FSB750 | HONDA | B | CR 250 RS | 250 | 2000 | | R |
| | | B | CR 450 RB - RS | 450 | 1981 | | R |
| FSB751 | HONDA | B | XL 500 R - RC | 500 | 1982 | | F |
| | | B | XL 500 R PARIS DAKAR | 500 | 1983 | | F |
| FSB752 | HONDA | B | PX 50 E | 50 | 1984 | | R |
| FSB753 | ARCTIC CAT ATV | A | 50 DVX (4T) | 50 | 2006 | 2008 | F |
| | | A | 50 Utility | 50 | 2006 | 2008 | F |
| | | A | 50-Y6 Youth (2T) | 50 | 2004 | 2006 | F |
| | | A | 90 DVX | 90 | 2006 | 2010 | F |
| | | A | 90 DVX SE | 90 | 2009 | | F |
| | | A | 90 DVX SE | 90 | 2009 | | F |
| | | A | 90 Reverse Gear Model | 90 | 2010 | 2012 | F |
| | | A | 90 Utility (2 x 4) | 90 | 2006 | 2010 | F |
| | | A | 90-Y12 Youth (2T-4T) | 90 | 2002 | 2005 | F |
| | | A | 150 Utility 2x4 | 150 | 2009 | 2010 | F |
| | BOMBARDIER ATV | A | DS 50 (2 STROKE) | 50 | 2002 | 2006 | F |
| | | A | QUEST 50 | 50 | 2003 | 2004 | F |
| | | A | DS 90 (2 STROKE / 4 STROKE) | 90 | 2002 | 2006 | F |
| | | A | QUEST 90 (2 STROKE / 4 STROKE) | 90 | 2003 | 2004 | F |
| | CAN AM ATV | A | DS 70 (2x4/4T) Mini | 70 | 2008 | | F |
| | | A | DS 90 Mini 4 Stroke | 90 | 2007 | | F |
| | HONDA ATV | A | TRX 70 Fourtrax | 70 | 1986 | 1987 | F |
| | KYMCO ATV | A | Mongoose 50 (2T) | 50 | 2004 | 2008 | F |
| | | A | Mongoose 50 (4T) (Rear disc model) | 50 | 2008 | 2009 | F |
| | | A | Mongoose 70 (4T) | 70 | 2007 | 2009 | F |
| | | A | Mongoose 90 | 90 | 2002 | 2010 | F |
| | POLARIS ATV | A | SCRAMBLER 50 / 90 | 50 | 2001 | 2006 | F |
| | | A | PREDATOR 50 | 50 | 2004 | 2006 | F |
| | | A | PREDATOR 90 | 90 | 2003 | 2006 | F |
| | | A | SPORTSMAN 90 | 90 | 2001 | 2010 | F |



CC FROM TO FRONT / REAR

| | | | | | | | |
|--------|------------------|---|---|-----|------|------|-----|
| | QUADZILLA | A | ZR 50 | 50 | 2007 | 2009 | F |
| FSB754 | HONDA | B | PXR 50 ALL MODELS | 50 | 1985 | 1995 | R |
| | MBK | B | EVASION 50 (ruote in lega diritte) | 50 | | | F/R |
| | | B | HARDROCK 50 (ruote in lega diritte) | 50 | | | F/R |
| | | B | MAGNUM 50 (ruote in lega diritte) | 50 | | | F/R |
| | | B | PASSION 50 (ruote in lega diritte) | 50 | | | F/R |
| | PEUGEOT | B | ST 50 RAPIDO | 50 | | | F/R |
| | | B | SX 50 | 50 | | | R |
| | | B | SC 80 | 80 | | | R |
| FSB755 | HONDA | B | XBR 500 S - F - G - H | 500 | 1985 | | R |
| | | B | XLV 750 R - RD - RF | 750 | 1984 | 1988 | R |
| | HONDA ATV | A | TRX 250 D RECON/TE-TEA Recon ES/TM-TMA Recon | 250 | 1997 | 2010 | R |
| | | A | TRX 250 EX Fourtrax/Sportrax/X/XA | 250 | 2001 | 2010 | R |
| | KYMCO | B | HIPSTER 125 | 125 | 1999 | | R |
| | | B | PULSAR 125 | 125 | 2001 | 2006 | R |
| | | B | STRYKER 125 | 125 | 2001 | 2006 | R |
| | | B | ZING 125 / ZING II 125 | 125 | 1998 | | R |
| | | B | HIPSTER 150 | 150 | 1999 | | R |
| | | B | STRYKER 150 (Off-Road) | 150 | 2000 | 2006 | R |
| FSB756 | E-TON ATV | A | AXL 50 Lightning 50 | 50 | 1999 | 2000 | F |
| | | A | BXL-50 Draco | 50 | 2005 | 2006 | F |
| | | A | NXL 50 Lightning 50 | 50 | 2001 | 2002 | F |
| | | A | TXL 50 Wizz 50 | 50 | 1998 | 1999 | F |
| | | A | Viper 70 RLX 70/70M (2T/4T) | 70 | 2005 | 2009 | F |
| | | A | AXL 90 Thunder | 90 | 1999 | 2000 | F |
| | | A | NXL 90 Thunder | 90 | 2001 | 2002 | F |
| | | A | RXL 90 R Viper 90 R Reverse (2T/4T) | 90 | 2003 | 2009 | F |
| | | A | RXL 90 Viper 90 | 90 | 2003 | 2006 | F |
| | HONDA | A | BXL 100 Draco | 100 | 2005 | 2006 | F |
| | | B | CRM 50 | 50 | 1988 | 1992 | R |
| | | B | CR 80 R | 80 | 1987 | 1991 | R |
| | | B | CR 80 R2F | 80 | 1985 | | R |
| | | B | CR 80 RG | 80 | 1986 | | R |
| | | B | CRM 80 | 80 | 1988 | 1992 | R |
| | | B | MB 80 | 80 | 1980 | | R |
| | KAWASAKI ATV | A | KFX 50 / KSF 50 | 50 | 2007 | 2009 | F |
| | | A | KFX 90 / KSF 90 | 90 | 2007 | 2010 | F |
| | KYMCO ATV | A | MXer 90 | 90 | 2004 | | F |
| | PGO ATV | A | X Rider 150 | 150 | 2004 | 2005 | F |
| | POLARIS ATV | A | Outlaw 50/90 | 50 | 2007 | 2010 | F |
| | | A | Predator 50 (2 stroke) | 50 | 2004 | 2006 | F |
| FSB757 | HONDA | B | CR 125 RG | 125 | 1986 | | R |
| | | B | CR 250 | 250 | 1986 | | R |
| | | B | CR 500 | 500 | 1986 | | R |
| FSB758 | HONDA | B | PXR 50 ALL MODELS | 50 | 1985 | 1995 | F |
| FSB759 | FANTIC | B | RAIDER 250 (FM. 259) | 250 | 1985 | | R |
| | GILERA | B | DAKOTA 350 | 350 | 1986 | | R |
| | | B | ER 350 | 350 | 1987 | | R |
| | | B | ER 500 | 500 | 1987 | | R |
| FSB760 | ARCTIC CAT ATV | A | 50-Y6 Youth (2T) | 50 | 2004 | 2006 | R |
| | HONDA | B | CD 175 all models | 175 | 1971 | 1978 | F |
| | | B | TRZ 200 (4W) | 200 | 1990 | | R |
| | HONDA 3 WHEELERS | A | ATC 90 | 90 | 1973 | 1978 | R |
| | | A | ATC 110 | 110 | 1979 | 1985 | R |
| | | A | ATC 125 | 125 | 1984 | 1987 | R |
| | | A | ATC 185 | 185 | 1980 | 1983 | R |
| | | A | ATC 200 (Drum Brake) | 200 | 1981 | 1986 | R |
| | | A | ATC 250 R | 250 | 1981 | 1982 | R |
| | | A | ATC 250 SX / ES BIG RED | 250 | 1985 | 1987 | F |
| | HONDA ATV | A | TRX 90 (Fourtrax/Sportrax/EX/X) | 90 | 1993 | 2009 | R |
| | | A | TRX 125 Fourtrax | 125 | 1985 | 1988 | R |
| | | A | TRX 200 (Fourtrax/SX Fourtrax/D Type II Fourtrax) | 200 | 1986 | 1998 | R |
| | | A | TRX 200 Fourtrax | 200 | 1984 | | R |
| | | A | FL 250 ODYSSEY | 250 | 1977 | 1984 | R |
| | POLARIS ATV | A | PHOENIX 200 (Rear drum model) | 200 | 2005 | 2010 | R |
| | | A | SAWTOOTH 200 (Rear drum model) | 200 | 2006 | | R |
| FSB761 | HONDA | B | CB 700 SC NIGHT HAWK | 700 | 1984 | | R |
| | | B | VF 700 C MAGNA | 700 | 1985 | | R |
| | | B | VT 700 C SHADOW | 700 | 1986 | | R |
| | | B | VT 700 C SHADOW | 700 | 1987 | | R |
| | | B | 750 BLACK WIDOW | 750 | 2001 | | R |
| | | B | MAGNA 750 | 750 | 1993 | | R |
| | | B | VFR 750 C V45 MAGNA | 750 | 1988 | | R |
| | | B | VT 750 AMERICAN CLASSIC EDITION | 750 | 1998 | | R |
| | | B | VT 750 C / C2 SHADOW / SHADOW SPIRIT | 750 | 1997 | | R |
| | | B | VT 750 C SHADOW | 750 | 1986 | 1996 | R |
| | | B | VT 750 DCI | 750 | 2001 | 2003 | R |
| | | B | PC 800 PACIFIC COAST | 800 | 1989 | 1997 | R |

B = Bike
A = ATV
S = Snowmobile

B = Bike
A = ATV
S = Snowmobile



| | | | CC | FROM | TO | FRONT / REAR |
|-----------|-----------|---|--|------|------|--------------|
| ...FSB761 | HONDA ATV | B | VT 800 C | 800 | 1988 | R |
| | | B | VT 1100 C | 1100 | 1985 | 1993 R |
| | | B | VT 1100 C SHADOW | 1100 | 1994 | R |
| | | A | TRX 350/TRX 350D Fourtrax/Foreman | 350 | 1986 | 1989 R |
| | | A | TRX 500 FA Fourtrax Rubicon | 500 | 2001 | 2004 R |
| | | A | TRX 500 FA/FAA Fourtrax Foreman Rubicon | 500 | 2005 | 2010 R |
| | | A | TRX 500 FGA Fourtrax Foreman Rubicon Gpscape | 500 | 2001 | 2005 R |
| | | A | TRX 500 FGA Fourtrax Foreman Rubicon Gpscape | 500 | 2005 | 2009 R |
| | | A | TRX 500 FPA9 Fourtrax Foreman Rub.Gpscape EPS | 500 | 2009 | R |
| | | A | TRX 500 TM/FE/FA/FMA/FPPE/FSM Fourtrax Foreman | 500 | 2005 | 2010 R |
| FSB762 | HONDA | B | CN 250 | 250 | 1988 | 1989 R |
| | | B | CN 250 | 250 | 1990 | 1992 R |
| FSB763 | YAMAHA | B | SR 125 | 125 | 1993 | 1996 R |
| | | B | YZ 125 K - N - L | 125 | 1983 | 1984 F |
| | | B | IT 250 L | 250 | 1984 | F |
| FSB764 | SUZUKI | B | YZ 250 J - K - L | 250 | 1982 | 1984 F |
| | | B | IT 465 H - I | 465 | 1981 | 1982 F |
| | | B | YZ 465 G - H - J - U | 465 | 1980 | F |
| | | B | IT 490 L | 490 | 1983 | 1984 F |
| | | B | YZ 490 J | 490 | 1982 | 1982 F |
| | | B | YZ 490 K - L | 490 | 1983 | 1984 F |
| | | B | TT 600 L | 600 | 1983 | 1984 F |
| | | B | RM 80 X | 80 | 1986 | 1989 R |
| | | B | RM 80 XD - XE - XF - XZ | 80 | 1981 | 1985 R |
| | | B | YZ 50 G - H - J - K | 50 | 1980 | 1983 F/R |
| FSB765 | YAMAHA | B | YZ 60 | 60 | 1985 | F/R |
| | | B | PW 80 K | 80 | 1983 | 1990 F/R |
| | | B | TY 80 | 80 | 1977 | F |
| | | B | TY 80 | 80 | 1983 | F |
| | | B | YZ 80 | 80 | 1977 | 1979 F |
| | | B | YZ 80 | 80 | 1980 | 1985 F/R |
| | | B | YZ 80 | 80 | 1986 | 1992 R |
| | | B | TT-R 90 | 90 | 2000 | 2004 F |
| | | B | XV 400 VIRAGO | 400 | 1988 | R |
| | | B | XVS 400 | 400 | 1998 | 1999 R |
| FSB766 | YAMAHA | B | XV 535 VIRAGO | 535 | 1987 | 1994 R |
| | | B | XV 535 VIRAGO | 535 | 1995 | 1998 R |
| | | B | KJ 650 | 650 | 1980 | R |
| | | B | XJ 650 TURBO | 650 | 1983 | R |
| | | B | XVS 650 A DRAG STAR CLASSIC | 650 | 1998 | R |
| | | B | XVS 650 DRAG STAR | 650 | 1997 | R |
| | | B | XJ 750 | 750 | 1982 | 1984 R |
| | | B | XV 1000 SE MIDNIGHT SPECIAL | 1000 | 1983 | R |
| | | B | XV 1000 TR 1 | 1000 | 1981 | R |
| | | B | XV 1000 VIRAGO | 1000 | 1986 | 1988 R |
| FSB767 | YAMAHA | B | XV 1100 VIRAGO | 1100 | 1989 | 1993 R |
| | | B | XV 1100 VIRAGO | 1100 | 1994 | 1998 R |
| FSB768 | BETA | B | SR 250 | 250 | 1987 | F |
| FSB769 | YAMAHA | B | DT 250 MX | 250 | 1975 | 1980 F |
| | | B | IT 250 G | 250 | 1980 | R |
| | | B | SR 250 SE | 250 | 1980 | 1982 F |
| | | B | YD 250 S | 250 | 1991 | R |
| | | B | YZ 250 D - E - F | 250 | 1976 | 1979 R |
| | | B | DT 400 MX | 400 | 1975 | 1977 F |
| | | B | YZ 400 D - E - F | 400 | 1977 | 1979 R |
| | | B | IT 425 G | 425 | 1980 | R |
| | | B | IT 500 G - H | 500 | 1980 | 1981 R |
| | | B | TT 500 G - H | 500 | 1976 | 1981 R |
| FSB770 | YAMAHA | B | XT 500 | 500 | 1976 | 1981 F |
| | | A | YFM 350 ER W/A/D | 350 | 1989 | 1992 F |
| FSB771 | YAMAHA | B | RX 50 | 50 | 1984 | R |
| | | B | RX 125 | 125 | 1984 | R |
| FSB772 | YAMAHA | B | TX 500 | 500 | 1975 | 1977 R |
| | | B | XS 500 B | 500 | 1975 | 1977 R |
| | | B | XJ 550 | 550 | 1981 | 1984 R |
| | | B | XZ 550 | 550 | 1982 | 1984 R |
| | | B | XZ 550 S | 550 | 1984 | 1986 R |
| | | B | XV 750 | 750 | 1989 | 1993 R |
| | | B | XV 750 SE | 750 | 1981 | R |
| | | B | XV 750 VIRAGO | 750 | 1994 | 1997 R |
| | | B | XS 250 C | 250 | 1980 | F |
| | | B | 50 YAMY | 50 | 1988 | F/R |
| FSB773 | YAMAHA | B | 50 YAMY ME | 50 | 1988 | F/R |
| | | B | BL 125 BELUGA | 125 | 1988 | 1992 F |



| | | | CC | FROM | TO | FRONT / REAR |
|--------|--------|---|-------------------------------|------|------|--------------|
| FSB773 | SUZUKI | B | BL 125 BELUGA | 125 | 1993 | 1995 F |
| | | B | RIVA 125 XX | 125 | 1993 | F |
| | | B | XC 125 BELUGA | 125 | 1993 | F |
| | | B | XC 185 BELUGA | 185 | 1993 | F/R |
| FSB775 | SUZUKI | B | GT 250 A - B - C | 250 | 1973 | 1978 R |
| | | B | GT 250 K - L - M | 250 | 1973 | 1978 R |
| | | B | GT 380 | 380 | 2000 | R |
| | | B | GT 380 A - B - K | 380 | 1973 | 1977 R |
| | | B | GT 380 L - M | 380 | 1973 | 1977 R |
| | | B | GS 400 B - C | 400 | 1977 | 1978 R |
| | | B | GSX 400 TX - LX | 400 | 1981 | 1983 R |
| | | B | GT 500 A - B | 500 | 1976 | 1978 R |
| | | B | T 500 all models | 500 | 1968 | 1975 R |
| | | B | GT 550 | 550 | 2000 | R |
| FSB776 | SUZUKI | B | GT 550 J | 550 | 1972 | 1972 R |
| | | B | GT 550 K - L - M | 550 | 1973 | 1975 R |
| | | B | JR 50 | 50 | 1993 | 2003 F |
| FSB777 | SUZUKI | B | PE 175 T - X | 175 | 1980 | 1981 R |
| | | B | PE 175 Z | 175 | 1982 | R |
| | | B | GV 125 AQUILA | 125 | 2001 | R |
| | | B | KARION RT 125 D | 125 | 2002 | R |
| | | B | XR 125 OFFROAD | 125 | 1999 | R |
| | | B | GV 250 AQUILA | 250 | 2001 | R |
| | | B | KSF 80 / KFX 80 | 80 | 2003 | 2006 R |
| | | B | KSF 90 / KFX 90 | 90 | 2006 | 2007 R |
| | | B | PE 175 Z | 175 | 1982 | F |
| | | B | RM 250 E | 250 | 1984 | R |
| FSB778 | SUZUKI | B | RM 250 F - IG - G | 250 | 1985 | 1986 R |
| | | B | RM 250 T | 250 | 1980 | F |
| | | B | RM 400 T | 400 | 1980 | F |
| | | B | RM 465 X - Z | 465 | 1981 | 1982 R |
| | | B | LT 80 all models | 80 | 1987 | 2007 R |
| | | B | LT-Z 90 QUADSPORT | 90 | 2006 | 2010 R |
| | | B | LT 125 F/G/H | 125 | 1985 | 1987 R |
| | | B | HACKER 50 | 50 | 1996 | R |
| | | B | SCHEGGIA 50 | 50 | 1998 | R |
| | | B | MANTIS 50 | 50 | 1998 | R |
| FSB779 | SUZUKI | B | PROGRESS 50 | 50 | 1997 | R |
| | | B | HUNTER 50 | 50 | 1995 | R |
| | | B | PADDOCK 50 ST | 50 | 1996 | R |
| | | B | PREDATOR 50 0.2 | 50 | 1999 | R |
| | | B | PROGRESS 50 | 50 | 1997 | R |
| | | B | RECORD 50 | 50 | 1998 | R |
| | | B | VAMOS 50 | 50 | 1994 | R |
| | | B | VAMOS 50 R | 50 | 1995 | R |
| | | B | KRS 50 | 50 | 2002 | R |
| | | B | FREELAND 125 | 125 | 2002 | R |
| FSB780 | SUZUKI | B | FREELAND 150 | 150 | 2002 | R |
| | | B | TORPEDO 50 | 50 | 1997 | R |
| | | B | VELOCIFERO 50 | 50 | 1994 | 2002 R |
| | | B | T-REX 50 | 50 | 1999 | 2004 R |
| | | B | T-REX 110 | 110 | 1999 | 2004 R |
| | | B | CHARGE 125 A / B | 125 | 2001 | 2002 R |
| | | B | Ligero 125 | 125 | 2006 | 2008 R |
| | | B | Ligero 125 (4T) | 125 | 2008 | 2012 R |
| | | B | LIDO 75 (scooter) | 75 | 1986 | F/R |
| | | B | ATALA HACKER 50 | 50 | 1995 | R |
| FSB781 | SUZUKI | B | ADRESS 50 (SPAIN) | 50 | 1997 | F/R |
| | | B | AY 50 KATANA (Brembo caliper) | 50 | 1997 | R |
| | | B | AY 50 W KATANA | 50 | 1998 | R |
| | | B | AY 50 WR KATANA | 50 | 1998 | R |
| | | B | CP 50 | 50 | 1991 | 1993 F/R |
| | | B | CP 50 CHF | 50 | 1985 | F/R |
| | | B | LIDO 50 | 50 | 1989 | 1990 F/R |
| | | B | SEPIA 50 | 50 | 1992 | 1995 R |
| | | B | UF 50 ESTILETE | 50 | 2000 | 2002 R |
| | | B | UX 50 ZILLION | 50 | 1998 | 2002 R |
| FSB782 | SUZUKI | B | ZZ 50 | 50 | 1992 | 1995 R |
| | | B | LIDO 75 | 75 | 1989 | R |
| | | B | AH 80 | 80 | 1992 | 1994 R |
| | | B | CP 80 CHF | 80 | 1985 | 1993 F/R |
| | | B | AN 125 | 125 | 1995 | 2000 R |
| | | B | LIDO 125 VARIO | 125 | 1990 | 1993 R |
| | | B | AN 150 | 150 | 1997 | 2000 R |
| | | B | AN 150 | 150 | 1997 | 2000 R |
| | | B | LT 160 (All models) | 160 | 1989 | 2004 F |
| | | B | RM 125 E | 125 | 1984 | 1984 F |
| FSB783 | SUZUKI | B | RM 250 D | 250 | 1983 | F |
| | | B | RM 250 E | 250 | 1984 | F |



| | | | | CC | FROM | TO | FRONT / REAR |
|-----------|-------------------|---|--|-----|------|------|-----------------|
| ...FSB776 | | B | RM 500 D - E | 500 | 1983 | 1984 | F |
| FSB779 | SUZUKI | B | RM 250 XZ | 250 | 1981 | 1982 | F |
| | SUZUKI 3 WHEELERS | B | RM 465 X - Z | 465 | 1981 | 1982 | F |
| | SUZUKI ATV | A | ALT 125 D | 125 | 1983 | 1984 | R |
| | | A | LT 125 D | 125 | 1983 | 2000 | R |
| FSB780 | SUZUKI | B | GS 550 B - C - D | 550 | 1977 | 1978 | R |
| | | B | GT 550 A - B | 550 | 1976 | | R |
| FSB781 | FANTIC | B | SPORT 125 HP1 (FM.265) | 125 | 1985 | | R |
| | | B | SPORT 125 MK II (f.a.tel.1706338) | 125 | 1985 | | R |
| | GARELLI | B | GTA 125 | 125 | 1986 | 1986 | R |
| FSB782 | SUZUKI | B | RE 500 5 A - M | 500 | 1975 | 1977 | R |
| | | B | GV 700 GL | 700 | 1985 | | R |
| | | B | GT 750 A - B - K - L - M | 750 | 1973 | 1977 | R |
| | SUZUKI ATV | A | LT 250 EF | 250 | 1985 | 1986 | R |
| | | A | LT-F 250 4WD QUADRUNNER | 250 | 1987 | 2002 | R |
| | | A | LT 300 E | 300 | 1987 | 1989 | R |
| | | A | LT-F 300 KING QUAD | 300 | 1991 | 2001 | R |
| | | A | LT-F 300 KING QUAD (left) | 300 | 2002 | | R |
| | | A | LT-A 500 F QUADMASTER (left) | 500 | 2000 | 2001 | R |
| | | A | LT-F 500 FW/FX/F1 QUADRUNNER (left) | 500 | 1998 | 2002 | R |
| FSB783 | SUZUKI | B | RM 80 XD - XE - XF - XZ | 80 | 1981 | 1985 | F |
| FSB784 | SACHS | B | ROADSTER 800 | 800 | 2001 | | R |
| | SUZUKI | B | VS 600 GL INTRUDER | 600 | 1997 | 1999 | R |
| | | B | GV 700 GL MADURA | 700 | 1984 | | R |
| | | B | VS 700 GL INTRUDER | 700 | 1985 | | R |
| | | B | VS 750 INTRUDER (All Models) | 750 | 1985 | 1991 | R |
| | | B | INTRUDER C800 (VZ 800) | 800 | 2006 | | R |
| | | B | INTRUDER C800B | 800 | 2014 | | R |
| | | B | INTRUDER M800 (VZ800) | 800 | 2005 | | R |
| | | B | VL 800 K1 INTRUDER VOLUSIA | 800 | 2001 | | R |
| | | B | VS 800 GL-N-INTRUDER | 800 | 1992 | 1999 | R |
| | | B | VS 800 S INTRUDER | 800 | 1991 | | R |
| | | B | VZ 800 MARAUDER / K7 | 800 | 1997 | 2003 | R |
| | SUZUKI ATV | A | LT-F 400 X | 400 | 1991 | 2000 | R |
| FSB785 | SUZUKI | B | DR 250 S | 250 | 1983 | 1984 | F |
| | | B | RM 250 N | 250 | 1979 | | R |
| | | B | RM 250 T | 250 | 1980 | | R |
| | | B | RM 400 N | 400 | 1979 | 1979 | R |
| | | B | RM 400 T | 400 | 1980 | | R |
| FSB786 | SUZUKI | B | RM 125 D - X - Z | 125 | 1981 | 1983 | R |
| | | B | RM 125 E | 125 | 1984 | 1984 | R |
| | | B | RM 125 F - G | 125 | 1985 | 1986 | R |
| | | B | RM 125 H | 125 | 1987 | | R |
| | | B | RM 125 X - Z | 125 | 1981 | 1983 | R |
| | | B | RM 250 D | 250 | 1983 | | R |
| | | B | RM 250 XZ | 250 | 1981 | 1982 | R |
| FSB787 | SUZUKI | B | adaptable to 130x28 front and rear drums | | | | F/R |
| FSB788 | APRILIA | B | AMICO 50 | 50 | 1990 | 1991 | F/R |
| | | B | AMICO 50 all models | 50 | 1992 | | R |
| | | B | GULLIVER 50 | 50 | 1995 | 1998 | R |
| | | B | RALLY 50 | 50 | 1995 | | R |
| | | B | SCARABEO 50 | 50 | 1994 | 1995 | R |
| | | B | SCARABEO 50 / 50 Street 4T-2T | 50 | 1996 | | R |
| | | B | SONIC 50 GP | 50 | 1997 | | R |
| | | B | SONIC 50 SPICE | 50 | 1997 | | R |
| | | B | SR 50 all models | 50 | 1993 | 1996 | R |
| | | B | SCARABEO 70 | 70 | 1994 | | R |
| | | B | CAROSSELLO 50 | 50 | 1997 | | R |
| | ATALA | B | 491 50 GT | 50 | 1997 | | R |
| | BENELLI | B | K2 50 all models | 50 | 1998 | 2001 | R |
| | | B | Pepe 50 (5 Spoke Cast Wheel/2T/4T) | 50 | 2010 | 2012 | R |
| | | B | PEPE 50/50 LX/Classic (7 Spoke Cast Wheel) | 50 | 1999 | 2013 | R |
| | BETA | B | CH 50 | 50 | 1996 | | R |
| | | B | CHRONO 50 | 50 | 1992 | 1994 | R |
| | | B | CHRONO 50 | 50 | 1994 | | R |
| | | B | CHRONO 50 13 | 50 | 1994 | | R |
| | | B | CHRONO 50 502 | 50 | 1997 | | R |
| | | B | QUADRA 50 | 50 | 1995 | | R |
| | | B | TEMPO 50 | 50 | 1993 | | R |
| | BS VILLA | B | AX 50 | 50 | 1993 | | R |
| | | B | GZ 50 | 50 | 1993 | | R |
| | CAGIVA | B | CITY 50 | 50 | 1992 | 1994 | R |
| | | B | CITY 50 | 50 | 1995 | | R |
| | HUSQVARNA | B | WRS 50 (SCOOTER) | 50 | 1998 | 2000 | R |
| | KTM | B | CHRONO 50 SCOOTER | 50 | 1994 | | R |
| | | B | GO 50 SCOOTER | 50 | 1994 | | R |
| | MALAGUTI | B | CENTRO 50 | 50 | 2000 | | R |
| | | B | CENTRO 50 4T / SL 4T | 50 | 2008 | | R |



| | | | | CC | FROM | TO | FRONT / REAR |
|--------|---------------------|---|-----------------------------------|-----|------|------|-----------------|
| | | B | CENTRO 50 SL | 50 | 1993 | 1999 | R |
| | | B | CIAK 50 / CIAK Master 4T 50 | 50 | 1999 | | R |
| | | B | F 10 50 JETLINE | 50 | 1992 | 1993 | R |
| | | B | F 10 50 JETLINE / F10 WAP JETLINE | 50 | 1994 | | R |
| | | B | F 12 50 PHANTOM (liquid cooled) | 50 | 1994 | | R |
| | | B | F 12 50 PHANTOM (liquid cooled) | 50 | 1995 | 1997 | R |
| | | B | F 15 50 FIREFOX | 50 | 1996 | 1997 | R |
| | | B | YESTERDAY 50 | 50 | 1998 | | R |
| | SYM | B | CIAK 100 | 100 | 1999 | 2003 | R |
| | | B | JET 50 | 50 | 1999 | | R |
| | | B | JUNGLE 50 | 50 | 1999 | 2002 | R |
| | | B | MASK 50 | 50 | 2000 | | R |
| | | B | RED DEVIL 50 | 50 | 1999 | | R |
| | | B | SUPER FANCY 50 | 50 | 1996 | 2002 | R |
| | | B | SUPER FANCY 50 (G5H-6/H325) | 50 | 1996 | 2002 | R |
| | | B | JET 100 | 100 | 1999 | | R |
| | | B | SUPER DUKE 125 / 150 | 125 | 1999 | 2000 | R |
| | YAMAHA | B | 50 AXIS | 50 | 1993 | | R |
| | | B | 50 AXIS PROFOOT | 50 | 1994 | | R |
| | | B | 50 TRUNK | 50 | 1994 | | R |
| | | B | JOG 50 (Italia) | 50 | 1993 | | R |
| | | B | JOG 50 Z (Italia) - R / RR | 50 | 1993 | | R |
| FSB789 | SUZUKI ATV | A | LT-F 250 F QUADRUNNER | 250 | 1999 | 2002 | R |
| | | A | LT-F 250 QUADRUNNER | 250 | 1988 | 2001 | R |
| FSB790 | SUZUKI | B | DR 750 S BIG | 750 | 1988 | | R |
| FSB791 | SUZUKI | B | CARNA 50 | 50 | 1990 | | R |
| FSB792 | ATALA | B | BYTE 50 | 50 | 1996 | | R |
| | | B | HACKER 50 | 50 | 2000 | | R |
| | SUZUKI | B | ADRESS 50 | 50 | 1990 | 1991 | F/R |
| | | B | ADRESS 50 | 50 | 1992 | 1995 | R |
| | | B | AH 50 | 50 | 1993 | 1995 | F/R |
| | | B | SEPIA AU 50 ZZ | 50 | 1996 | 1998 | R |
| | | B | TUNE 50 | 50 | 1993 | 1995 | R |
| FSB793 | KAWASAKI | B | KH 250 B1 - S | 250 | 1977 | 1982 | R |
| | | B | S1 250 B | 250 | 1975 | | R |
| | | B | KH 400 A3-5 | 400 | 1976 | 1981 | R |
| FSB794 | KAWASAKI | B | KH 500 A8 | 500 | 1976 | | R |
| | | B | KH 500 H1 - B/D/E | 500 | 1974 | 1975 | R |
| | KAWASAKI ATV | A | KLF 300 BAYOU 4x4 C Series (left) | 300 | 1989 | 2004 | R |
| | | A | KVF 300 PRAIRIE (2x4/4x4) | 300 | 1999 | 2002 | R |
| | | A | KLF 400 BAYOU 4x4 B Series (left) | 400 | 1993 | 1999 | R |
| | | A | KVF 400 PRAIRIE (2x4/4x4) | 400 | 1997 | 2002 | R |
| FSB795 | KAWASAKI | B | Z 900 A 4 | 900 | 1997 | 1978 | R |
| FSB796 | MOTO GUZZI | B | V 7 700 SPECIAL | 700 | 1969 | 1971 | F |
| | | B | V 750 750 SPORT | 750 | 1972 | 1974 | F |
| | | B | CALIFORNIA 850 GT | 850 | 1972 | 1974 | F |
| | | B | GT 850 | 850 | 1972 | 1974 | F |
| | | B | T 850 | 850 | 1974 | 1975 | R |
| FSB797 | KAWASAKI | B | KE 125 A4 - A10 | 125 | 1976 | 1985 | F |
| | | B | KX 125 A3 - A7 | 125 | 1974 | 1980 | F |
| | | B | KDX 175 all models | 175 | 1980 | 1982 | F |
| | | B | KE 175 B1 - B3 | 175 | 1976 | 1978 | F/R |
| | | B | KE 175 D1 - D5 | 175 | 1979 | 1983 | F |
| | | B | KL 250 A3 - A4 | 250 | 1980 | 1984 | F |
| | | B | KL 250 C1 | 250 | 1980 | 1984 | F |
| | | B | KLX 250 | 250 | 2000 | | F |
| FSB798 | KAWASAKI | B | KX 80 B1 - B2 - D1 - D2 | 80 | 1979 | 1983 | F/R |
| FSB799 | KAWASAKI | B | KDX 250 B1 | 250 | 1979 | | F |
| | | B | KL 250 A1 - A2 | 250 | 1978 | 1979 | F |
| | | B | KX 250 A all models | 250 | 1974 | 1981 | F |
| | | B | KX 250 B2 - B3 | 250 | 1980 | 1981 | F |
| | | B | KX 420 A1 - A2 | 420 | 1980 | | F |
| | KAWASAKI 3 WHEELERS | A | KLT 200 All Models | 200 | 1981 | 1984 | R |
| | | A | KLT 250 All Models | 250 | 1982 | 2000 | R |
| | | A | KXT 250 TECATE | 250 | 1984 | 2000 | F |
| | KAWASAKI ATV | A | KLF 185 BAYOU A2 / A3 / A4 | 185 | 1986 | 1988 | F |
| | | A | KLF 220 BAYOU A Series | 220 | 1988 | 2002 | F |
| | | A | KLF 250 BAYOU A Series | 250 | 2003 | 2010 | F |
| FSB800 | KAWASAKI | B | S1 250 B | 250 | 1975 | | F |
| | | B | Z 250 B1 - B2 | 250 | 1980 | 1983 | F |
| | | B | Z 250 C1 - C2 | 250 | 1981 | 1983 | F |
| | | B | Z 250 G1 - G2 | 250 | 1981 | 1983 | F |
| | | B | Z 250 LTD | 250 | 1983 | | F |
| FSB801 | KAWASAKI | B | KX 80 E1 | 80 | 1983 | | F |
| FSB802 | KAWASAKI | B | KX 60 A1 - A2 - B1/6 | 60 | 1985 | 1991 | F/R |
| | | B | KX 80 E1 | 80 | 1983 | | R |
| | | B | KX 80 E2 | 80 | 1984 | 1986 | R |
| | | B | KX 80 H - K2 | 80 | 1987 | 1987 | R |

B = Bike
A = ATV
S = Snowmobile

B = Bike
A = ATV
S = Snowmobile



| | | | CC | FROM | TO | FRONT / REAR |
|-----------|-----------|---|----------------------------|------|------|--------------|
| ...FSB802 | | B | KLX 110 R | 110 | 2002 | F |
| FSB803 | APRILIA | B | ET 50 | 50 | 1984 | 1986 R |
| | | B | ETX 50 | 50 | 1986 | R |
| | | B | TUAREG 50 | 50 | 1984 | 1986 R |
| | | B | TUAREG 50 | 50 | 1986 | R |
| | FANTIC | B | OASIS 50 .1 K.S. | 50 | 1987 | R |
| | | B | OASIS 50 .1 RALLY | 50 | 1986 | R |
| | | B | RAIDER 50 | 50 | 1981 | R |
| | | B | RAIDER 50 .1 | 50 | 1986 | R |
| | | B | TRAILMATIC 50 (FM. 283) | 50 | 1983 | F/R |
| | | B | TRIAL 50 .1 (FM.268) | 50 | 1986 | R |
| | | B | TRIAL 50 II mozzi conici | 50 | 1983 | F/R |
| | | B | TRIAL 50 JUNIOR | 50 | 1987 | F |
| | MALAGUTI | B | RCX-W 50 ENDURO | 50 | 1983 | R |
| | | B | SAHIB 50 ENDURO | 50 | 1983 | R |
| FSB804 | BMW | B | R 65 650 LS | 650 | 2000 | R |
| FSB805 | BMW | B | K 75 750 | 750 | 1984 | 1988 R |
| FSB806 | BMW | B | R 50/5 500 | 500 | 1969 | 1975 F |
| | | B | R 60/5 600 | 600 | 2000 | F |
| | | B | R 60/6 600 | 600 | 2000 | F |
| | | B | R 75/5 750 | 750 | 2000 | F |
| FSB807 | BULTACO | B | LOBITO 125 | 125 | | F/R |
| | | B | PURSANG MK6 125 | 125 | | F |
| | | B | PURSANG MK7/8 125 | 125 | | F |
| | | B | PURSANG MK9 125 | 125 | | F/R |
| | | B | SHERPA 125 | 125 | | F |
| | | B | TRIAL 125 | 125 | | F/R |
| | | B | SHERPA 150 | 150 | | F |
| | | B | SHERPA 151 | 151 | | F |
| | | B | PURSANG MK6 175 | 175 | | F |
| | | B | PURSANG MK6 200 | 200 | | F |
| | | B | PURSANG MK9 200 | 200 | | F/R |
| | | B | LOBITO 250 | 250 | | F/R |
| | | B | PURSANG MK10 250 | 250 | | F |
| | | B | PURSANG MK11 250 | 250 | | F |
| | | B | PURSANG MK12 250 | 250 | | F |
| | | B | PURSANG MK6 250 | 250 | | F |
| | | B | PURSANG MK7/8 250 | 250 | | F |
| | | B | SHERPA 250 A | 250 | | F/R |
| | | B | SHERPA 250 I | 250 | | F/R |
| | | B | SHERPA 250 N | 250 | | F/R |
| | | B | TRIAL 250 | 250 | | F/R |
| | | B | PURSANG MK6 350 | 350 | | F |
| | | B | SHERPA 350 A | 350 | | F/R |
| | | B | SHERPA 350 I | 350 | | F/R |
| | | B | SHERPA 350 N | 350 | | F/R |
| | | B | TRIAL 350 | 350 | | F/R |
| | | B | PURSANG MK7/8 360 | 360 | | F |
| FSB808 | DERBI | B | all models 50 | 50 | 1983 | F/R |
| | | B | all models 50 (disc brake) | 50 | 1983 | R |
| FSB809 | DERBI | B | all models 50 | 50 | 2000 | F/R |
| FSB810 | DERBI | B | FDS 50 | 50 | 1986 | R |
| | | B | TT8 75 | 75 | 2000 | F/R |
| | | B | TT8 125 | 125 | 2000 | F/R |
| FSB811 | DERBI | B | all models 50 | 50 | 1988 | F/R |
| FSB812 | HUSQVARNA | B | CR 125 | 125 | 1983 | 1984 F |
| | | B | CR 125 | 125 | 1985 | 1995 R |
| | | B | RC 125 | 125 | 1983 | 1984 F |
| | | B | WR 125 | 125 | 1986 | R |
| | | B | WR 125 | 125 | 1987 | 1990 R |
| | | B | WRE 125 | 125 | 1988 | R |
| | | B | CR 240 | 240 | 1981 | 1982 F |
| | | B | CR 240 | 240 | 1987 | R |
| | | B | RC 240 | 240 | 1981 | 1982 F |
| | | B | WR 240 | 240 | 1985 | R |
| | | B | WR 240 | 240 | 1986 | R |
| | | B | WR 240 | 240 | 1987 | 1990 R |
| | | B | WRK 240 | 240 | 1988 | R |
| | | B | CR 250 | 250 | 1981 | 1982 F |
| | | B | CR 250 | 250 | 1985 | 1995 R |
| | | B | RC 250 | 250 | 1981 | 1982 F |
| | | B | WR 250 | 250 | 1987 | 1989 R |
| | | B | XC 250 | 250 | 1987 | R |
| | | B | WRK 260 | 260 | 1988 | R |
| | | B | WR 400 | 400 | 1985 | R |
| | | B | WR 400 | 400 | 1986 | R |
| | | B | WR 400 | 400 | 1987 | R |
| | | B | AE 430 | 430 | 1988 | R |



| | | | CC | FROM | TO | FRONT / REAR |
|--------|-----------|---|--------------------------------|------|------|--------------|
| | | B | AUTO 430 | 430 | 1987 | R |
| | | B | CR 430 | 430 | 1981 | 1982 F |
| | | B | CR 430 | 430 | 1987 | R |
| | | B | OR 430 | 430 | 1981 | 1982 F |
| | | B | RC 430 | 430 | 1981 | 1982 F |
| | | B | WR 430 | 430 | 1981 | 1982 F |
| | | B | WR AE 430 | 430 | 1987 | R |
| | | B | WRE 430 | 430 | 1981 | 1982 F |
| | | B | XC 430 | 430 | 1981 | 1982 F |
| | | B | XC 430 | 430 | 1987 | R |
| | | B | CR 500 | 500 | 1985 | R |
| | | B | XC 500 | 500 | 1987 | R |
| | | B | 510 | 510 | 1986 | R |
| | | B | TC 510 | 510 | 1988 | R |
| | | B | TE - AC - LC 510 | 510 | 1987 | R |
| FSB813 | HUSQVARNA | B | WR 125 | 125 | 1983 | 1985 F |
| | | B | WRE 125 | 125 | 1983 | 1984 F |
| | | B | CR 240 | 240 | 1983 | 1986 F |
| | | B | RC 240 | 240 | 1983 | F |
| | | B | WR 240 | 240 | 1983 | 1984 F |
| | | B | WR 240 | 240 | 1985 | F |
| | | B | WRE 240 | 240 | 1983 | F |
| | | B | CR 250 | 250 | 1983 | 1984 F |
| | | B | RC 250 | 250 | 1983 | F |
| | | B | WR 250 | 250 | 1983 | 1986 F |
| | | B | WRE 250 | 250 | 1983 | F |
| | | B | WR 400 | 400 | 1985 | F |
| | | B | CR 490 | 490 | 1983 | F |
| | | B | AE 500 | 500 | 1984 | F |
| | | B | TC 500 | 500 | 1984 | F |
| | | B | TE 510 | 510 | 1984 | 1986 F |
| | | B | TX 510 | 510 | 1984 | F |
| FSB814 | HONDA | B | CR 480 RC | 480 | 1982 | R |
| | KTM | B | HOBBY-DUO-PRO 50 COMET 40PI-KJ | 50 | | F/R |
| | | B | 125 | 125 | 2000 | F/R |
| | | B | CROSS 125 | 125 | 1980 | 1983 F/R |
| | | B | LC - GS 125 GS | 125 | 1983 | R |
| | | B | 175 | 175 | 1972 | 1978 F/R |
| | | B | 175 | 175 | 1979 | F |
| | | B | CROSS 250 | 250 | 2000 | F/R |
| FSB815 | KTM | B | 175 | 175 | 1979 | R |
| | | B | CROSS 250 | 250 | 1982 | F/R |
| | | B | CROSS 250 | 250 | 1983 | R |
| | | B | GS 350 ENDURO SPORT | 350 | 1983 | R |
| | | B | GS 390 ENDURO SPORT | 390 | 1983 | R |
| | | B | MX 495 MC LELEU | 495 | 1982 | 1983 R |
| | | B | 500 CROSS | 500 | 2000 | R |
| | | B | GS 500 K4 ENDURO | 500 | 1983 | R |
| FSB816 | ATK (USA) | B | all models 1984-85 | | 1984 | 1985 R |
| | HUSQVARNA | B | WRE 125 | 125 | 1989 | 1994 R |
| | | B | WRK 600 | 600 | 1989 | R |
| | | B | MX 80 GR - SUPER MINI | 80 | 1986 | R |
| | | B | BAJA 125 | 125 | 1986 | R |
| | | B | GS 125 ENDURO SPORT | 125 | 1984 | 1985 F/R |
| | | B | LC - GS 125 GS | 125 | 1983 | F |
| | | B | MX 125 CROSS | 125 | 1984 | F/R |
| | | B | MX 125 CROSS | 125 | 1985 | R |
| | | B | BAJA 250 | 250 | 1986 | R |
| | | B | GS 250 ENDURO SPORT | 250 | 1983 | 1985 F/R |
| | | B | MX 250 CROSS | 250 | 1984 | F/R |
| | | B | MX 250 CROSS | 250 | 1985 | R |
| | | B | GS 300 XC ENDURO SPORT | 300 | 1985 | F/R |
| | | B | COUNTRY 350 CROSS E | 350 | 1985 | R |
| | | B | GS 420 ENDURO SPORT | 420 | 1984 | F/R |
| | | B | MX 495 CROSS | 495 | 1984 | F/R |
| | | B | MX 500 CROSS | 500 | 1983 | 1984 F/R |
| | | B | MX 500 CROSS | 500 | 1985 | R |
| | | B | GS 600 ENDURO SPORT | 600 | 1984 | F/R |
| | | B | GS 600 ENDURO SPORT | 600 | 1985 | R |
| | | B | XC-XCE 600 CROSS COUNTRY-BAJA | 600 | 1985 | R |
| FSB817 | KTM | B | CROSS 250 | 250 | 1983 | F |
| | | B | 500 CROSS | 500 | 2000 | F |
| FSB818 | BENELLI | B | 125 | 125 | 1976 | R |
| | | B | 125 2 C | 125 | 1976 | 1978 R |
| | | B | 125 2C Dual brakes | 125 | 2000 | R |
| | | B | 125 2T - 2 CSE | 125 | 1976 | 1978 R |
| | | B | 250 4 | 250 | 1976 | R |
| | | B | 250 C | 250 | 1976 | 1978 R |



| | | | CC | FROM | TO | FRONT / REAR | | |
|-----------|--------------|-----------------------------------|-------------------------|------------------------|-----------|--------------|-----|-----|
| ...FSB816 | DUCATI | B | 250 TS | 250 | 1976 | 1978 | R | |
| | | B | 254 | 254 | 1979 | | R | |
| | | B | 350 4 CIL. | 350 | 1978 | | R | |
| | | B | 500 QUATTRO | 500 | 1976 | | R | |
| | | B | 250 | 250 | 2000 | | R | |
| | MOTO GUZZI | B | 350 | 350 | 2000 | | R | |
| | | B | 450 | 450 | 2000 | | R | |
| | | B | 2C 125 4T | 125 | 1979 | | R | |
| | | B | STORNELLO 160 (5 speed) | 160 | 1971 | 1974 | F | |
| | | B | TS 250 | 250 | 1974 | 1975 | R | |
| FSB819 | MAICO | B | GSE 250 ALPHA-E | 250 | 2000 | | R | |
| | | B | LINK 250 | 250 | 2000 | | R | |
| | | B | MX 250 TWIN | 250 | 2000 | | R | |
| | | B | 400 | 400 | 2000 | | R | |
| | | B | MX 490 LINK | 490 | 2000 | | R | |
| | | B | MX 490 TWIN | 490 | 2000 | | R | |
| FSB820 | MONTESA | B | MKS 50 | 50 | 1987 | | R | |
| | | B | COTA 123 | 123 | 1983 | | R | |
| | | B | COTA 123 | 123 | 2000 | | F/R | |
| | | B | COTA 242 | 242 | 1983 | | R | |
| | | B | COTA 290 | 290 | 2000 | | F/R | |
| | | B | COTA 304 | 304 | 1987 | | R | |
| | | B | TRIAL 330 | 330 | 1985 | | R | |
| | | B | T 348 | 348 | 2000 | | F/R | |
| | | B | COTA 349 | 349 | 1983 | | R | |
| | | B | COTA 349 | 349 | 2000 | | F/R | |
| | | MONTESA (HONDA) | B | MH 123 | 123 | 1983 | | R |
| | | | B | MH 200 | 200 | 1983 | | R |
| | | | B | MH 349 | 349 | 1983 | | R |
| | | | PUCH | B | CONDOR 50 | 50 | | |
| B | MONZA 50 | 50 | | 1983 | | F/R | | |
| B | COBRA 75 | 75 | | 1985 | | R | | |
| B | COBRA 80 | 80 | | 1984 | | R | | |
| FSB821 | MONTESA | B | COTA 123 | 123 | 1983 | | F | |
| | | B | COTA 242 | 242 | 1983 | | F | |
| | | B | TRIAL 330 | 330 | 1985 | | F | |
| | | B | COTA 349 | 349 | 1983 | | F | |
| | | MONTESA (HONDA) | B | MH 123 | 123 | 1983 | | F |
| | | | B | MH 200 | 200 | 1983 | | F |
| FSB822 | MOTOBECANE | B | V 51 (mozzi atom) | 50 | | | F/R | |
| | | B | V 51 (mozzi motobecane) | 50 | | | F/R | |
| FSB823 | MZ | B | SAXON 125 | 125 | 1993 | 1997 | R | |
| | | B | TS 125 | 125 | | | F | |
| | | B | SAXON 150 | 150 | 1995 | | R | |
| | | B | TS 150 | 150 | | | F | |
| | | B | ETZ 250 | 250 | | | F/R | |
| | | B | ETZ 250 | 250 | 1982 | 1992 | R | |
| | | B | TS 250 | 250 | | | F/R | |
| | | B | FUN 251 | 251 | 1995 | 1996 | R | |
| | | B | ETZ 301 | 301 | 1990 | 1992 | R | |
| | | B | SAXON 500 | 500 | 1993 | 1998 | R | |
| FSB824 | MZ | B | ETZ 125 | 125 | | | F/R | |
| | | B | ETZ 125 | 125 | 1982 | 1992 | R | |
| | | B | TS 125 | 125 | | | R | |
| | | B | ETZ 150 | 150 | | | F/R | |
| | | B | ETZ 150 | 150 | 1982 | 1992 | R | |
| | | B | TS 150 | 150 | | | R | |
| FSB825 | OSSA | B | CROSS 125 | 125 | 1974 | | F | |
| | | B | CROSS 250 | 250 | 1974 | | F | |
| | | B | FUEGO 250 | 250 | 1974 | | F | |
| | | B | TRIAL 250 (all models) | 250 | 2000 | | F/R | |
| | | B | TRIAL 350 (all models) | 350 | 2000 | | F/R | |
| FSB826 | CAGIVA | B | DG 350 TRIAL | 350 | 1983 | | F/R | |
| | | B | TRIAL 250 (all models) | 250 | 1981 | | F | |
| | OSSA | B | TRIAL 350 (all models) | 350 | 1981 | | F | |
| | | PUCH | B | BORRASCIA 50 | 50 | | | F/R |
| B | MINICROSS 50 | | 50 | | | F/R | | |
| FSB827 | FB MINARELLI | B | MR 80 | 80 | | | R | |
| | | OSSA | B | TRIAL 250 (all models) | 250 | 1981 | | R |
| | B | | TRIAL 350 (all models) | 350 | 1981 | | R | |
| | PUCH | | B | MONZA 50 | 50 | 1984 | | R |
| | | B | MONZA 50 | 50 | 1985 | | R | |
| RIEJU | B | MONZA 50 50 (alloy wheels 160x17) | 50 | 1984 | | F/R | | |
| | B | MR 80 | 80 | | | R | | |
| FSB828 | OSSA | B | CROSS 125 | 125 | 1974 | | R | |



| | | | CC | FROM | TO | FRONT / REAR | |
|--------|-----------------------------------|---------|---|--------------------|------|--------------|-----|
| | | B | CROSS 250 | 250 | 1974 | | R |
| | | B | FUEGO 250 | 250 | 1974 | | R |
| FSB829 | GILERA | B | BULLIT 50 | 50 | 1990 | | R |
| FSB831 | PUCH | B | adaptable to 95x22 front and rear drums | | | | F/R |
| FSB832 | FB MINARELLI | B | RIEJU MARATHON 50 | 50 | 1974 | | F/R |
| | | B | MARATHON RV 50 | 50 | 1974 | | F/R |
| FSB833 | APRILIA | B | RX 125 (Rimoldi wheels) | 125 | 1984 | 1985 | R |
| | | B | RX 250 | 250 | 1983 | | R |
| | CAGIVA | B | WMX 125 (mozzi Rimoldi) | 125 | 1984 | | F |
| | | B | RP 80 CROSS | 80 | 1983 | | F/R |
| | | B | 80 | 80 | | | F/R |
| | | B | VALENTI | 125 | | | F/R |
| FSB834 | APRILIA | B | TUAREG 125 RALLY(Mozzi Rimoldi) | 125 | 1986 | | R |
| | | B | TUAREG 250 RALLY (Mozzi Rimoldi) | 250 | 1986 | | R |
| | GILERA | B | R1 50 | 50 | 1990 | 1998 | R |
| | | B | HX 250 LC | 250 | 1983 | | R |
| | KRAMER | B | RX 250 ARIZONA RALLY | 250 | 1986 | | R |
| | | B | 80 | 80 | | | F/R |
| B | VALENTI | 80 | | | F/R | | |
| FSB835 | ZUNDAPP | B | KS 50 SPORT | 50 | | | R |
| | | B | KS 50 SUPER SPORT | 50 | | | R |
| | | B | KS 100 | 100 | | | R |
| FSB836 | ZUNDAPP | B | SUPER COMBINETTE 429 | 429 | | | F/R |
| | | B | SUPER COMBINETTE 433 | 433 | | | F/R |
| | | B | FALCONETTE 435 | 435 | | | F/R |
| | | B | KS 50 500 | 500 | | | F/R |
| | | B | KS 75 500 | 500 | | | F/R |
| FSB837 | BENELLI | B | S 50 | 50 | 1981 | 1987 | R |
| | | B | S 50 (tutti i modelli) | 50 | 1987 | | R |
| | | B | S 50 LUSO | 50 | 1981 | 1987 | R |
| | | ITALJET | B | T 50 | 50 | | |
| | B | | T 100 | 100 | | | F/R |
| | B | | RANGER 125 | 125 | 1985 | | F/R |
| | B | | SKIPPER 125 | 125 | 1985 | | F/R |
| | B | | T 125 | 125 | | | F/R |
| | B | | T 250 | 250 | | | F/R |
| | B | | T 250 PIUMA | 250 | 1985 | | F/R |
| | B | | BOSS 350 4 T | 350 | | | F/R |
| | B | | BOSS 350 ENDURO | 350 | 1985 | | F |
| | B | | CUSTOM 350 | 350 | 1985 | | R |
| | B | CX 350 | 350 | 1985 | | F/R | |
| B | EXPLORER 350 | 350 | 1985 | | F/R | | |
| B | H&H 350 2 T | 350 | | | F/R | | |
| B | SCOTT 350 4 T | 350 | | | F/R | | |
| B | T 350 PIUMA | 350 | 1985 | | F/R | | |
| FSB838 | GILERA | B | ARIZONA 125 | 125 | 1983 | | R |
| | | B | ARIZONA HAWK 125 | 125 | 1986 | | R |
| | | B | ER 125 | 125 | 1987 | | R |
| | | B | RC 125 RALLY | 125 | 1987 | | R |
| | | B | RRT 125 NEBRASKA | 125 | 1987 | | R |
| | | B | RRT 125 NEBRASKA (tubeless tires) | 125 | 1987 | 2000 | R |
| | | B | RTX 125 | 125 | | | R |
| | | B | RX 125 | 125 | 1984 | | R |
| | | B | ARIZONA HAWK 200 | 200 | 1986 | | R |
| | | B | ER 200 | 200 | 1987 | | R |
| B | RTX 200 | 200 | 1986 | | R | | |
| B | RX 200 | 200 | 1985 | | R | | |
| B | RX 200 ARIZONA | 200 | 1985 | | R | | |
| FSB839 | INNOCENTI | B | LAMBRETTA 125 LI | 125 | | | F/R |
| | | B | LAMBRETTA 150 LI | 150 | | | F/R |
| | | B | LAMBRETTA 175 LI | 175 | | | F/R |
| | | B | LAMBRETTA 175 TV II | 175 | | | F/R |
| FSB840 | INNOCENTI | B | LAMBRETTA J 50 | 50 | | | F/R |
| FSB841 | CAGIVA | B | WMX 125 CROSS | 125 | 1986 | | R |
| | | B | WMX 125 CROSS | 125 | 1987 | | R |
| FSB842 | INNOCENTI | B | WMX 250 CROSS | 250 | 1987 | | R |
| | | B | LAMBRETTA J 100 | 100 | | | F/R |
| FSB843 | INNOCENTI | B | LAMBRETTA J 125 | 125 | | | F/R |
| | | B | LAMBRETTA 125 DL | 125 | | | F/R |
| FSB844 | CAGIVA | B | LAMBRETTA 150 DL | 150 | | | F/R |
| | | B | LAMBRETTA 200 DL | 200 | | | F/R |
| | | GILERA | B | ALETTA 125 ELECTRA | 125 | 2000 | |
| B | ELEFANT 125 | | 125 | 2000 | | R | |
| B | WSXT 125 ALETTA ROSSA | | 125 | 1983 | | R | |
| B | RALLY 50 | | 50 | 1987 | 1990 | R | |
| B | RRT 125 NEBRASKA (tubeless tires) | 125 | 1987 | 2000 | R | | |
| FSB845 | CAGIVA | B | WMX 500 | 500 | 1984 | | R |
| FSB846 | CAGIVA | B | ALETTA 125 ELECTRA | 125 | 1984 | | R |

B = Bike
A = ATV
S = Snowmobile

FERODO
MOTORCYCLE PADS
Updated on 30th Jan 2014

B = Bike
A = ATV
S = Snowmobile

3065



| | | | CC | FROM | TO | FRONT / REAR |
|-----------|-------------|---|-----------------------------------|------|------|--------------|
| ...FSB846 | | B | ELEFANT 125 | 125 | 1984 | R |
| FSB847 | FANTIC | B | RSX 125 | 125 | 1981 | F/R |
| | GILERA | B | TRIAL 125 7 DAYS(mozzi centrali) | 125 | | R |
| | | B | GIUBILEO 98 | 98 | | F |
| | | B | GIUBILEO 124 | 124 | | F |
| | MAICO | B | GSE 250 ALPHA-E | 250 | 2000 | F |
| | | B | LINK 250 | 250 | 2000 | F |
| | | B | MX 250 TWIN | 250 | 2000 | F |
| | | B | 400 | 400 | 2000 | F |
| | | B | MX 490 LINK | 490 | 2000 | F |
| | | B | MX 490 TWIN | 490 | 2000 | F |
| | MOTO GUZZI | B | CROSS 50 | 50 | 1975 | F/R |
| | | B | CROSS 50 | 50 | 1976 | F/R |
| | | B | NIBBIO 50 | 50 | 1975 | F/R |
| | MOTO MORINI | B | KJ 125 | 125 | 1984 | R |
| | | B | MONOCILINDRO 125 | 125 | 1979 | R |
| | | B | SPORT 250 | 250 | 2000 | R |
| | | B | TURISMO 250 | 250 | 2000 | R |
| FSB848 | CAGIVA | B | DAKAR 125 | 125 | 1985 | R |
| | | B | ELEFANT 125 | 125 | 1985 | R |
| | | B | ELEFANT 125 | 125 | 1987 | R |
| | | B | ELEFANT 200 | 200 | 1985 | R |
| | | B | ELEFANT 200 | 200 | 1988 | R |
| | | B | ELEFANT 200 A.E. | 200 | 1986 | R |
| | | B | T4 350 R - ER | 350 | 1987 | R |
| | | B | T4 500 E - ER | 500 | 1987 | R |
| FSB849 | CAGIVA | B | ALA BLU 250 | 250 | 1983 | R |
| | | B | ALA ROSSA 250 | 250 | 1983 | R |
| | | B | SST 250 | 250 | 1979 | F |
| | | B | SST 250 | 250 | 1980 | R |
| | | B | SST 250 | 250 | 2000 | F |
| | | B | SX 250 | 250 | 1982 | R |
| | | B | SX 250 | 250 | 2000 | F/R |
| | | B | ALA BLU 350 | 350 | 1983 | R |
| | | B | ALA ROSSA 350 | 350 | 1983 | R |
| | | B | ALA ROSSA 350 | 350 | 1988 | R |
| | | B | SST 350 | 350 | 1981 | R |
| | | B | SST 350 | 350 | 2000 | F/R |
| | | B | SX 350 | 350 | 1979 | F/R |
| | | B | SX 350 | 350 | 2000 | F/R |
| FSB850 | HUSQVARNA | B | CR 125 | 125 | 1981 | F/R |
| | | B | CR 125 | 125 | 1983 | R |
| | | B | RC 125 | 125 | 1981 | F/R |
| | | B | RC 125 | 125 | 1983 | R |
| | | B | WR 125 | 125 | 1983 | R |
| | | B | WRE 125 | 125 | 1983 | R |
| | | B | CR 240 | 240 | 1981 | R |
| | | B | CR 240 | 240 | 1983 | R |
| | | B | RC 240 | 240 | 1981 | R |
| | | B | RC 240 | 240 | 1983 | R |
| | | B | WR 240 | 240 | 1983 | R |
| | | B | WRE 240 | 240 | 1983 | R |
| | | B | CR 250 | 250 | 1981 | R |
| | | B | CR 250 | 250 | 1983 | R |
| | | B | RC 250 | 250 | 1981 | R |
| | | B | RC 250 | 250 | 1983 | R |
| | | B | WR 250 | 250 | 1983 | R |
| | | B | WRE 250 | 250 | 1983 | R |
| | | B | RC 390 | 390 | 1978 | F/R |
| | | B | CR 430 | 430 | 1981 | R |
| | | B | OR 430 | 430 | 1981 | R |
| | | B | RC 430 | 430 | 1981 | R |
| | | B | WR 430 | 430 | 1981 | R |
| | | B | WRE 430 | 430 | 1981 | R |
| | | B | XC 430 | 430 | 1981 | R |
| | | B | CR 490 | 490 | 1983 | R |
| | | B | AE 500 | 500 | 1984 | R |
| | | B | TC 500 | 500 | 1984 | R |
| | | B | TE 510 | 510 | 1984 | R |
| | | B | TX 510 | 510 | 1984 | R |
| FSB851 | MONTESA | B | old models | 1500 | | F |
| FSB852 | BETA | B | CR - RV 250 | 250 | 1981 | R |
| | | B | CR - RV 350 | 350 | 1980 | R |
| | | B | GS -RV 350 | 350 | 1980 | R |
| | | B | GS - RV 500 | 500 | 1984 | R |
| | MOTO MORINI | B | KANGURO 350 | 350 | 1984 | R |
| | | B | KANGURO 350 | 350 | 2000 | R |
| | | B | XE 350 | 350 | 1985 | R |



| | | | CC | FROM | TO | FRONT / REAR |
|--------|-------------|---|--------------------------------|------|------|--------------|
| | | B | CAMEL 500 | 500 | 2000 | R |
| | PUCH | B | CROSS 347 | 347 | 2000 | R |
| FSB853 | CAGIVA | B | ALA VERDE 250 | 250 | 1983 | R |
| | | B | SSX 250 | 250 | 1982 | R |
| | | B | ST 250 | 250 | 1982 | R |
| | | B | ALA AZZURRA 350 | 350 | 1983 | R |
| | | B | ALA VERDE 350 | 350 | 1983 | R |
| | | B | SX 350 | 350 | 1982 | R |
| | MOTO MORINI | B | GT 350 | 350 | 1976 | R |
| | | B | SPORT 350 | 350 | 1981 | R |
| FSB854 | CZ | B | JAWA 125 | 125 | 1975 | R |
| | | B | JAWA 125 | 125 | 2000 | F/R |
| | | B | JAWA 175 | 175 | 1975 | R |
| | | B | JAWA 175 | 175 | 2000 | F/R |
| | | B | JAWA 250 | 250 | 1975 | R |
| | | B | JAWA 250 | 250 | 2000 | F/R |
| | | B | JAWA 350 | 350 | 1975 | R |
| | | B | JAWA 350 | 350 | 2000 | F/R |
| FSB855 | CZ | B | JAWA 125 | 125 | 1975 | F |
| | | B | JAWA 175 | 175 | 1975 | F |
| | | B | JAWA 250 | 250 | 1975 | F |
| | | B | JAWA 350 | 350 | 1975 | F |
| FSB856 | BENELLI | B | S 125 SCOOTER | 125 | | F/R |
| FSB857 | BULTACO | B | PURSANG MK7/8 125 | 125 | | R |
| | | B | SHERPA 125 | 125 | | R |
| | | B | SHERPA 150 | 150 | | R |
| | | B | SHERPA 151 | 151 | | R |
| | | B | FRONTERA 250 all models | 250 | | F/R |
| | | B | PURSANG MK10 250 | 250 | | R |
| | | B | PURSANG MK11 250 | 250 | | R |
| | | B | PURSANG MK12 250 | 250 | | R |
| | | B | PURSANG MK7/8 250 | 250 | | R |
| | | B | PURSANG MK9 250 | 250 | | F/R |
| | | B | FRONTERA 350 all models | 350 | | F/R |
| | | B | PURSANG MK7/8 360 | 360 | | R |
| | | B | PURSANG MK10 370 | 370 | | F/R |
| | | B | PURSANG MK11 370 | 370 | | F/R |
| | | B | PURSANG MK12 370 | 370 | | F/R |
| | | B | PURSANG MK9 370 | 370 | | F/R |
| | MONTESA | B | RC 248 | 248 | | F/R |
| FSB858 | CAGIVA | B | SST 125 LOW RIDER | 125 | 1983 | R |
| | | B | SST 125 spoke wheel | 125 | | R |
| | | B | XSST 125 | 125 | 1981 | R |
| | | B | XSST 125 | 125 | 2000 | R |
| | | B | SST 250 | 250 | 1979 | R |
| | | B | SST 250 | 250 | 2000 | R |
| FSB859 | CAGIVA | B | SST 250 | 250 | 2000 | R |
| FSB860 | CASAL | B | 50 CICLOMOTORI (diam.110) | 50 | | F/R |
| FSB861 | CASAL | B | 50 CICLOMOTORI (diam.140) | 50 | | F/R |
| FSB862 | ITALJET | B | BAZOOKA 1 50 | 50 | 1991 | R |
| | | B | BAZOOKA 2 50 | 50 | 1992 | R |
| | | B | PISTA 2 50 | 50 | 1992 | R |
| | | B | REPORTER 50 | 50 | 1990 | R |
| | | B | SCOOP 50 | 50 | 1993 | R |
| | | B | YANKEE 8 50 | 50 | 1994 | R |
| FSB863 | BMW | B | R 100 1000 R | 1000 | 1991 | R |
| | | B | R 100 1000 R ROADSTER - MYSTIC | 1000 | 1993 | R |
| | | B | R 100 1000 RT | 1000 | 1991 | R |
| FSB864 | MOTOBECANE | B | all models 50 (mozzi atom) | 50 | 1988 | R |
| | | B | all models 50 (mozzi leleu) | 50 | 1988 | R |
| FSB865 | MOBYLETTE | B | Mopeds 50 | 50 | | F |
| FSB866 | MOBYLETTE | B | Mopeds 50 | 50 | | R |
| FSB867 | DERBI | B | AVENTURA 50 | 50 | 1996 | R |
| | | B | BOX 50 | 50 | 1994 | F/R |
| | | B | COPPA 50 FDT | 50 | 1986 | R |
| | | B | COPPA 50 FDX | 50 | 1987 | R |
| | | B | DS 50 WORLD CHAMPION | 50 | 1988 | R |
| | | B | FD 50 JUMBO | 50 | 1985 | R |
| | | B | FENIX 50 | 50 | 1994 | R |
| | | B | FURAX 50 | 50 | 1996 | R |
| | | B | FY 50 JUMBO | 50 | 1984 | R |
| | | B | URBAN 50 | 50 | 1994 | F/R |
| | | B | VAMOS 50 R | 50 | 1996 | R |
| | | B | VARIANT 50 SPORT R | 50 | 1994 | R |
| | | B | TT8 75 | 75 | 1984 | R |
| | | B | TT8 75 (camme 10mm) | 75 | 2000 | F/R |
| | | B | YUMBO 75 RD-2 FDS | 75 | 1987 | R |
| | | B | TT8 125 | 125 | 1984 | F/R |
| | | B | TT8 125 (camme 10 mm) | 125 | 2000 | F/R |



| | | | | CC | FROM | TO | FRONT / REAR | |
|--------|--------------------|--------|-------------------------------------|---------------|------|------|--------------|---|
| FSB869 | PIAGGIO | B | VESPA 150 SPRINT VELOCE | 150 | | | F | |
| | | B | VESPA 160 GS | 160 | | | F | |
| | | B | VESPA 180 SS | 180 | | | F | |
| | | B | VESPA 200 RALLY | 200 | | | F | |
| FSB870 | GARELLI | B | TEAM MATIC 50 | 50 | 1988 | | F | |
| FSB871 | MBK | B | EVASION 50 (ruote in lega oblique) | 50 | | | F/R | |
| | | B | HARDROCK 50 (ruote in lega oblique) | 50 | | | F/R | |
| | | B | MAGNUM 50 (ruote in lega oblique) | 50 | | | F/R | |
| | | B | PASSION 50 (ruote in lega oblique) | 50 | | | F/R | |
| FSB872 | PIAGGIO (motocarr) | B | APE CAR 220 P2/P3 | 220 | 1978 | 1985 | F | |
| | | B | APE TM 220 P 602 | 220 | 1982 | 1983 | F | |
| | | B | APE TM 420 D LCS | 420 | 2005 | | F | |
| | | B | APE TM 420 P703 / P703 V / FL 2 | 420 | 1984 | 2001 | F | |
| | | B | APE TM 420 P703 / P703 V DIESEL | 420 | 1987 | 2001 | F | |
| FSB873 | PIAGGIO | B | VESPA 125 | 125 | 1963 | 1972 | R | |
| | | B | VESPA 150 | 150 | 1963 | 1972 | R | |
| FSB874 | PIAGGIO | B | VESPA 50 HP | 50 | 1992 | 1996 | F/R | |
| | | B | VESPA 50 PK SPECIAL - XL | 50 | 1986 | 1989 | R | |
| | | B | VESPA 50 PK XL 2 | 50 | | | F/R | |
| | | B | VESPA 50 PK XL 2 AUTOMATICA | 50 | | | F | |
| | | B | VESPA 50 V FL 2 | 50 | 1990 | 1996 | F/R | |
| | | B | VESPA 125 PK AUTOMATICA | 125 | 1984 | | F | |
| | | B | VESPA 125 PK SPECIAL - XL | 125 | 1986 | | F/R | |
| | | B | VESPA 125 PK XL 2 | 125 | | | F/R | |
| | | B | VESPA 125 PX | 125 | 1978 | 1982 | F/R | |
| | | B | VESPA 125 PX | 125 | 1998 | | R | |
| | | B | VESPA 125 PX ARCOBALENO | 125 | 1983 | 1990 | F/R | |
| | | B | VESPA 125 V FL2 | 125 | 1991 | 1997 | F/R | |
| | | B | VESPA 150 PX | 150 | 1978 | 1982 | F/R | |
| | | B | VESPA 150 PX | 150 | 1998 | | R | |
| | | B | VESPA 150 PX ARCOBALENO | 150 | 1983 | 1990 | F/R | |
| | | B | VESPA 150 SPRINT VELOCE | 150 | | | R | |
| | | B | VESPA 160 GS | 160 | | | R | |
| | | B | VESPA 180 SS | 180 | | | R | |
| | | B | VESPA 200 PE | 200 | 1983 | | F/R | |
| | | B | VESPA 200 PX | 200 | 1998 | | R | |
| | | B | VESPA 200 PX ARCOBALENO | 200 | 1983 | | F/R | |
| | | B | VESPA 200 PX E | 200 | 1978 | | F/R | |
| | | B | VESPA 200 RALLY | 200 | | | R | |
| | | B | VESPA 80 | 80 | | | R | |
| | | B | VESPA 80 PX | 80 | | | R | |
| | | B | VESPA 80 SPECIAL | 80 | | | R | |
| | | B | VESPA 125 PX | 125 | | | F/R | |
| | | B | VESPA 150 PX | 150 | | | F/R | |
| FSB875 | PIAGGIO | B | VESPA 125 | 125 | 1951 | 1962 | R | |
| | | B | VESPA 150 | 150 | 1951 | 1962 | R | |
| FSB876 | APRILIA | B | ETX 125 | 125 | 1984 | | R | |
| | | B | RED ROSE 125 | 125 | 1989 | 1989 | R | |
| | | B | RED ROSE 125 | 125 | 1990 | | R | |
| | | B | ST 125 | 125 | 1987 | | R | |
| | | B | STX 125 | 125 | 1984 | | R | |
| | | B | STX 125 | 125 | 1986 | | R | |
| | | BETA | B | 125 SCRAMBLER | 125 | 1982 | | R |
| | | | B | CUSTOM 125 | 125 | 1982 | | R |
| | | | B | CUSTOM 250 | 250 | 1982 | | R |
| | | | B | 250 DESMO | 250 | 2000 | | R |
| | | DUCATI | B | 350 DESMO | 350 | 2000 | | R |
| | | | B | SPORT 125 | 125 | 2000 | | R |
| | FANTIC | B | SPORT 125 MK II | 125 | 2000 | | R | |
| | | B | STRADA 125 (FM. 4000-A) | 125 | 1983 | | R | |
| | GARELLI | B | TSR 125 | 125 | | | R | |
| | | B | TSR 125 SELF MIX | 125 | | | R | |
| | GILERA | B | RV 125 | 125 | 1983 | | R | |
| | | B | RV 125 ES | 125 | 1987 | | R | |
| | | B | TG1 125 | 125 | | | R | |
| | | B | TG2 125 | 125 | | | R | |
| | LAVERDA | B | TG3 125 | 125 | | | R | |
| | | B | T4 200 | 200 | | | R | |
| | | B | T4C 200 | 200 | | | R | |
| | | B | T4S 200 | 200 | | | R | |
| | | B | 125 | 125 | | | R | |
| | | B | 125 (Brembo caliper) | 125 | 1982 | | R | |
| | | B | 125 (Grimeca caliper) | 125 | 1982 | | R | |
| | | B | LB 125 CUSTOM | 125 | | | R | |
| | MOTO MORINI | B | LB 125 STRADA | 125 | | | R | |
| | | B | LB 125 UNO | 125 | | | R | |
| | | B | BICILINDRO 250 | 250 | 1979 | | R | |



| | | | | CC | FROM | TO | FRONT / REAR | | |
|---------|------------------------------------|--------------------|--|-----------------------------|------------------|------|--------------|---|-----|
| PUCH | B | MONOCILINDRO 250 | 250 | 2000 | | | R | | |
| | | GT 350 | 350 | 1979 | | | R | | |
| | | GT 350 TURISMO | 350 | 1980 | | | R | | |
| | | SPORT 350 | 350 | 1980 | | | R | | |
| | | F5 250 REGOLARITA' | 250 | 1983 | | | R | | |
| | | HFE 250 | 250 | 1986 | 1986 | | R | | |
| | | MC 250 VHS W | 250 | 1983 | | | R | | |
| | | FS 347 REGOLARITA' | 347 | 2000 | | | R | | |
| | | MC 496 | 496 | 2000 | | | R | | |
| | | FSB877 | BENELLI | B | CITY BIKE 50 | 50 | | | F/R |
| B | S 50 | | | 50 | 1981 | 1987 | F | | |
| B | S 50 (tutti i modelli) | | | 50 | 1987 | | F | | |
| B | S 50 LUSO | | | 50 | 1981 | 1987 | F | | |
| B | SCOOTY 50 | | | 50 | | | F/R | | |
| B | ISSIMO 50 | | | 50 | 1984 | | F/R | | |
| B | ISSIMO 50 (alloy wheels) | | | 50 | | | F/R | | |
| B | BASIC 50 (alloy wheel fondermonte) | | | 50 | | | F/R | | |
| B | NOI 50 (alloy wheels fondermonte) | | | 50 | | | F/R | | |
| B | VIP 50 alloy wheels (fondermonte) | | | 50 | | | F/R | | |
| GARELLI | B | MAXI 80 EXECUTIVE | 80 | 1988 | | R | | | |
| | PUCH | | | | | | | | |
| FSB878 | PIAGGIO (motocarr) | B | APE CAR | 50 | | | F | | |
| FSB879 | PIAGGIO | B | VESPA 150 SUPER | 150 | | | R | | |
| FSB880 | MOTO GUZZI | B | V 7 700 | 700 | 1967 | 1976 | F | | |
| FSB881 | MOTO GUZZI | B | V 7 700 | 700 | 1967 | 1976 | R | | |
| | | B | V 7 700 SPECIAL | 700 | 1969 | 1971 | R | | |
| FSB882 | PIAGGIO (motocarr) | B | APE MP | 50 | | | F | | |
| FSB883 | PGO | B | BIG MAX 50 | 50 | 1995 | 2004 | R | | |
| | | B | Big Max 50 (Front wave disc) | 50 | 2007 | 2009 | R | | |
| | | B | Big Max 50 Naked (Round disc/No Cover on handlebars) | 50 | 2007 | 2009 | R | | |
| | | B | BIG MAX 50 S | 50 | 2003 | 2004 | R | | |
| | | B | COMET 50 | 50 | 1991 | | R | | |
| | | B | EPS | 50 | 1997 | | R | | |
| | | B | G-Max 50 | 50 | 2005 | 2007 | R | | |
| | | B | G-Max 50 (Wave disc) | 50 | 2008 | 2012 | R | | |
| | | B | G-Max 50 Naked (Wave disc) | 50 | 2009 | | R | | |
| | | B | GALAXI 50 | 50 | 1992 | | R | | |
| | | B | Ligero 50 (2T) | 50 | 2008 | 2012 | R | | |
| | | B | Mega 50 | 50 | 1994 | | R | | |
| | | B | PMX 50 | 50 | 2000 | 2004 | R | | |
| | | B | PS 50 | 50 | 1993 | | R | | |
| | | B | Rodo Show 50 | 50 | 2000 | 2009 | R | | |
| | | B | SUPER FIFTY 50 (BRASIL) | 50 | | | R | | |
| | | B | Tornado 50 | 50 | 1997 | | R | | |
| | | B | GALAXI 90 | 90 | 1992 | | R | | |
| | | B | PMX 110 | 110 | 2000 | 2004 | R | | |
| | | B | Tornado 125 | 125 | 1997 | | R | | |
| | | B | QM 50 10A (B) Hawk | 50 | 2008 | 2010 | R | | |
| | | B | QM 50 T-10R Eagle 50 | 50 | 2010 | 2012 | R | | |
| | | SUZUKI | B | TR 50 STREET MAGIC | 50 | 1998 | 2000 | R | |
| | | | B | ADDRESS 100 V | 100 | 1992 | 1996 | R | |
| | | B | UG 110 HOKUTO | 110 | 2000 | 2004 | R | | |
| | | FSB884 | PIAGGIO (motocarr) | B | APE 150 C4 | 150 | | | R |
| | | | | B | APE 175 PENTARO' | 175 | | | R |
| | | FSB885 | PIAGGIO | B | VESPA 50 | 50 | | | R |
| FSB886 | PIAGGIO (motocarr) | B | APE 50 | 50 | | | R | | |
| FSB887 | FANTIC | B | TRIAL 50 JUNIOR | 50 | 1987 | | R | | |
| | | PIAGGIO | B | VESPA 50 PK XL 2 AUTOMATICA | 50 | | | R | |
| B | VESPA 125 PK AUTOMATICA | 125 | 1984 | | R | | | | |
| FSB888 | PIAGGIO (moped) | B | SUPERBRAVO 50 3 Marce | 50 | 1987 | | R | | |
| FSB889 | GILERA | B | CB 1 50 | 50 | | | R | | |
| | | B | CBA 50 | 50 | | | R | | |
| | | B | CBA 50 | 50 | 1986 | | R | | |
| | | B | ECO 50 | 50 | | | R | | |
| | | B | TREND 50 | 50 | 1989 | 1992 | R | | |
| | | B | SHOPPING 50 | 50 | 1990 | | R | | |
| | | B | BOSS 50 | 50 | 1988 | | R | | |
| | | B | BOXER 50 | 50 | | | R | | |
| | | B | BRAVO 50 | 50 | | | R | | |
| | | B | BRAVO 50 (alloy wheels 90mm hub) | 50 | 1987 | | R | | |
| | | B | BRAVO 50 (alloy wheels) | 50 | 1987 | | R | | |
| | | B | CIAO 50 | 50 | | | R | | |
| | | B | CIAO 50 (alloy wheels) | 50 | 1987 | | R | | |
| | | B | CIAO 50 MIX | 50 | 1997 | | R | | |
| | | B | GRILLO 50 | 50 | 1989 | | R | | |
| | | B | SI 50 | 50 | | | R | | |
| | | B | SI 50 (alloy wheels) | 50 | 1980 | | R | | |
| | | B | SI 50 MIX | 50 | 1997 | | R | | |
| B | SUPER BRAVO 50 | 50 | 1985 | | R | | | | |
| ITALJET | B | | | | | | | | |
| | PIAGGIO (moped) | B | | | | | | | |

B = Bike
A = ATV
S = Snowmobile

B = Bike
A = ATV
S = Snowmobile



| | | | CC | FROM | TO | FRONT / REAR | | | |
|--------|--------------------|--------------------------|--|-----------------------------------|-----------|--------------|------|------|-----|
| FSB890 | PIAGGIO | B | VESPA 50 | 50 | | F | | | |
| | | B | VESPA 50 PK SPECIAL - XL | 50 | 1986 | 1989 | F | | |
| | | B | VESPA 50 SPECIAL | 50 | | | F | | |
| | | B | VESPA 90 PRIMAVERA | 90 | | | F | | |
| | | B | VESPA 125 | 125 | 1951 | 1962 | F | | |
| | | B | VESPA 125 | 125 | 1963 | 1972 | F | | |
| | | B | VESPA 125 ET3 | 125 | | | F | | |
| | | B | VESPA 125 PRIMAVERA | 125 | | | F | | |
| | | B | VESPA 150 | 150 | 1951 | 1962 | F | | |
| | | B | VESPA 150 | 150 | 1963 | 1972 | F | | |
| | PIAGGIO (motocarr) | B | APE 50 | 50 | | | F | | |
| | | B | APE 150 C 1/2/3 | 150 | | | F | | |
| | | B | APE 150 C4 | 150 | | | F | | |
| | | B | APE 175 PENTARO' | 175 | | | F | | |
| | PIAGGIO (Spain) | B | VESPA 80 | 80 | | | F | | |
| | | B | VESPA 80 PX | 80 | | | F | | |
| | | B | VESPA 80 SPECIAL | 80 | | | F | | |
| | FSB891 | PIAGGIO | B | VESPA 50 SPECIAL | 50 | | R | | |
| | | | B | VESPA 90 PRIMAVERA | 90 | | R | | |
| | | | B | VESPA 125 ET3 | 125 | | R | | |
| B | | | VESPA 125 PRIMAVERA | 125 | | R | | | |
| FSB892 | PIAGGIO | B | COSA 125 | 125 | 1989 | 1991 | R | | |
| | | B | COSA 2 125 | 125 | 1992 | 1997 | R | | |
| | | B | COSA 150 | 150 | 1989 | 1991 | R | | |
| | | B | COSA 2 150 | 150 | 1992 | 1997 | R | | |
| | | B | COSA 2 200 | 200 | 1992 | | R | | |
| | | B | COSA 200 | 200 | 1989 | | R | | |
| FSB893 | PIAGGIO | B | COSA 125 | 125 | 1989 | 1991 | F | | |
| | | B | COSA 2 125 | 125 | 1992 | 1997 | F | | |
| | | B | COSA 150 | 150 | 1989 | 1991 | F | | |
| | | B | COSA 2 150 | 150 | 1992 | 1997 | F | | |
| | | B | COSA 2 200 | 200 | 1992 | | F | | |
| | | B | COSA 200 | 200 | 1989 | | F | | |
| FSB894 | PIAGGIO | B | SFERA 50 | 50 | 1991 | 1994 | F | | |
| | | B | SFERA 80 | 80 | 1994 | 1996 | F | | |
| FSB895 | GILERA | B | EASY MOVING 50 | 50 | 1995 | 1996 | R | | |
| | | B | NRG 50 | 50 | 1995 | 2003 | R | | |
| | | B | STORM 50 | 50 | 1994 | 1995 | R | | |
| | | B | TYPHOON 50 | 50 | 1993 | 1995 | R | | |
| | PIAGGIO | B | TYPHOON 80 | 80 | 1995 | | R | | |
| | | B | FREE 50 (alloy wheels) | 50 | 1996 | 2000 | R | | |
| | | B | NRG 50 | 50 | 1994 | 1995 | R | | |
| | | B | NTT 50 | 50 | 2000 | | R | | |
| | | B | QUARTZ 50 | 50 | 1992 | 1996 | R | | |
| | | B | SFERA 50 | 50 | 1991 | 1994 | R | | |
| | | B | ZIP 50 | 50 | 1992 | 1996 | R | | |
| | | B | SFERA 80 | 80 | 1994 | 1996 | R | | |
| | | B | SKIPPER 80 | 80 | 1994 | 1996 | R | | |
| | | FSB896 | PIAGGIO | B | SCATTO 50 | 50 | 1990 | 1993 | F/R |
| B | ZUM 50 | | | 50 | 1991 | 1996 | F/R | | |
| FSB897 | BETA | B | MX6 50 EXPORT | 50 | 1977 | | F/R | | |
| | | B | TR 50 | 50 | 1980 | 1986 | R | | |
| | | B | TR 80 | 80 | 1980 | | R | | |
| | | B | CR 125 | 125 | 2000 | | F | | |
| | | B | RC 125 | 125 | 1976 | | F | | |
| | | FANTIC | B | CABALLERO 50 REG. SUPER 6 M | 50 | 2000 | | F/R | |
| | | | B | ENDURO 50 | 50 | 1983 | | F/R | |
| | | | B | R 6 50 SUPER | 50 | | | F/R | |
| | | | B | TRIAL 50 I SERIE (mozzi centrali) | 50 | 2000 | | R | |
| | | | B | TRIAL 80 | 80 | 2000 | | F/R | |
| | B | | TRIAL 125 7 DAYS(mozzi centrali) | 125 | | | F | | |
| | B | | TRIAL 125 I SERIE. (tel. grig. m. cen) | 125 | | | R | | |
| | B | | TRIAL 125 II SERIE (tel.rosso m.cen) | 125 | | | F/R | | |
| | GILERA | | B | GIUBILEO 98 | 98 | | | R | |
| | | | B | GIUBILEO 124 | 124 | | | R | |
| | | B | ARCORE 125 | 125 | | | R | | |
| | | MALAGUTI | B | MDX GOLD 50 ENDURO | 50 | 1987 | | R | |
| | B | | MEX 50 ENDURO | 50 | 1985 | | R | | |
| | B | | MEX 50 ENDURO | 50 | 1986 | | R | | |
| | B | | MGX 50 ENDURO | 50 | 1987 | | F/R | | |
| | B | | MLX 50 ENDURO | 50 | 1987 | | R | | |
| | MOTO GUZZI | | B | RGT 50 SPORT | 50 | 1985 | | R | |
| | | | B | TURISMO 125 | 125 | 1974 | 1981 | R | |
| | | | B | TUTTOTERRENO 125 | 125 | 1974 | 1981 | F/R | |
| | | | FSB898 | ACCOSSATO | B | 50 CROSS | 50 | 2000 | |
| | B | | | | 50 ENDURO | 50 | 2000 | | F/R |
| | B | CR 50 CROSS COMPETIZIONE | | | 50 | 1984 | | F/R | |



| | | | CC | FROM | TO | FRONT / REAR | |
|------------|--------------------------------|-------------------------------------|-------------------------|------|------|--------------|-----|
| ANCILLOTTI | B | CR 50 ENDURO | 50 | 1984 | | F/R | |
| | | CR 50 ENDURO COMPETIZIONE | 50 | 1984 | | F/R | |
| | | 80 CROSS | 80 | 2000 | | F/R | |
| | | CE 80 CROSS H 20 | 80 | 1984 | | R | |
| | | CE 80 ENDURO H 20 | 80 | 1984 | | R | |
| | | CE 125 CROSS H 20 | 125 | 1984 | | R | |
| | | CE 125 ENDURO H 20 | 125 | 1984 | | R | |
| | | PS 80 MX | 80 | 1983 | | F/R | |
| | | PST 125 MX | 125 | 1983 | | F/R | |
| | | PSV 250 MX | 250 | 1983 | | F | |
| | APRILIA | B | MX 50 | 50 | 2000 | | F/R |
| | | B | RC 50 SPECIAL | 50 | 2000 | | F/R |
| | | B | MX 125 | 125 | 1983 | | F |
| | | B | RX 125 | 125 | 2000 | | F |
| | | B | RX 125 (Rimoldi wheels) | 125 | 1984 | 1985 | F |
| | | B | TX 125 | 125 | 1985 | | F/R |
| | | B | TX 125 M | 125 | 1986 | | R |
| | | B | TX 240 | 240 | 1985 | | F/R |
| | | B | TX 300 | 300 | 1985 | | F/R |
| | | B | TX 300 | 300 | 1986 | | R |
| ASPES | B | TX 300 M | 300 | 1986 | | R | |
| | B | TX 311 M | 312 | 1987 | | R | |
| | B | TRIAL 320 | 320 | 1981 | | F/R | |
| | B | CS 75 50 NAVAHO | 50 | | | F | |
| | B | CM1 80 | 80 | | | F/R | |
| | B | HOP1 125 | 125 | | | F | |
| | B | JUMA 125 | 125 | | | F | |
| | BETA | B | MX6 50 | 50 | 1982 | | F/R |
| | | B | TR 50 | 50 | 1987 | 1988 | F/R |
| | | B | TR 50 (SPAIN) | 50 | 1989 | | R |
| B | | RX 125 | 125 | 1983 | | R | |
| B | | TR 125 | 125 | 1980 | 1985 | F/R | |
| B | | TR 32 125 | 125 | 1986 | | R | |
| B | | TR 33 125 | 125 | 1987 | | R | |
| B | | TR 240 | 240 | 1980 | 1983 | F/R | |
| B | | TR 32 240 | 240 | 1984 | 1985 | F/R | |
| B | | TR 32 240 (mozzo ant autocentrante) | 240 | 1984 | 1985 | R | |
| CAGIVA | B | TR 33 240 | 240 | 1986 | 1988 | R | |
| | B | TREKKING 240 | 240 | 1987 | | F/R | |
| | B | SXT 125 | 125 | 1982 | | R | |
| | B | WMX 125 | 125 | 2000 | | F/R | |
| | B | WMX 125 (mozzi Rimoldi) | 125 | 1984 | | R | |
| | B | WMX 125 /3 | 125 | 2000 | | F/R | |
| | B | WRX 125 | 125 | 1982 | | F/R | |
| | B | WRX 125 /1 | 125 | 1983 | | F/R | |
| | B | XRX 125 | 125 | 1980 | | F/R | |
| | B | XWMX 125 | 125 | 1981 | | F/R | |
| FANTIC | B | WMX 250 | 250 | 2000 | | R | |
| | B | WMX 250 /1 | 250 | 1983 | | R | |
| | B | WRX 250 | 250 | 1983 | | R | |
| | B | WRX 250 | 250 | 2000 | | F/R | |
| | B | CASA 50 | 50 | 1975 | | F/R | |
| | B | COMPETIZIONE 50 | 50 | 1975 | | F/R | |
| | B | ENDURO 50 COMPETITION | 50 | 2000 | | F/R | |
| | B | ENDURO 50 REPLICA | 50 | 1980 | | F/R | |
| | B | FAST 50 | 50 | 1988 | | R | |
| | B | GRAN TURISMO 50 FOUR (FM. 200) | 50 | 2000 | | F/R | |
| 1986 | B | REPLICA 50 | 50 | 2000 | | F/R | |
| | B | STRADA 50 (FM. 240) | 50 | 1982 | | R | |
| | B | STRADA 50 SUPER SIX | 50 | 1973 | | R | |
| | B | CROSS 80 COMPETITION | 80 | 1981 | | F | |
| | B | CROSS 80 COMPETITION | 80 | 2000 | | F/R | |
| | B | ENDURO 80 | 80 | 1980 | | F | |
| | B | CROSS 125 COMPETITION | 125 | 1980 | | F | |
| | B | ENDURO 125 | 125 | 1980 | | F | |
| | B | REGOLARITA' 125 | 125 | 1981 | | F | |
| | B | TRIAL 125 .1 Progress 1 | 125 | 1986 | 1986 | R | |
| 1986 | B | TRIAL 125 .1 Progress 2 | 125 | 1986 | | R | |
| | B | TRIAL 125 7 DAYS mozzi conici | 125 | | | F/R | |
| | B | TRIAL 125 III SERIE (mozzi conici) | 125 | | | F/R | |
| | B | TRIAL 125 PROFESSIONAL (FM.237) | 125 | 1983 | | F/R | |
| | B | TRIAL 200 Progress 1 | 200 | 1986 | | R | |
| | B | TRIAL 201 Progress2 | 201 | 1986 | | R | |
| | B | TRIAL 240 SEVEN DAYS (FM. 289) | 240 | 1986 | | R | |
| | B | TRIAL 241 PROFESSIONAL | 241 | 1986 | | R | |
| | B | COACH 250 | 250 | 1991 | | R | |
| | B | TRIAL 300 (FM. 403) | 300 | 1984 | | R | |
| B | TRIAL 301 Progress 1 (FM. 266) | 301 | 1985 | | R | | |



| | | | CC | FROM | TO | FRONT / REAR |
|-----------|------------|---|-------------------------------------|------|------|--------------|
| ...FSB898 | | B | TRIAL 301 Progress 2 | 301 | 1986 | R |
| | | B | TRIAL 200 (FM. 350) | 350 | 1978 | F/R |
| | | B | TRIAL 240 (FM. 450) | 450 | 2000 | F/R |
| | GARELLI | B | TRIAL 320 | 320 | 1986 | R |
| | | B | TRIAL 320 | 320 | 2000 | F/R |
| | GILERA | B | E1 125 | 125 | | F |
| | | B | E1 125 COMPETIZIONE | 125 | | F |
| | MALANCA | B | MARK 125 | 125 | 1985 | R |
| | PUCH | B | GS 80 V | 80 | 1983 | F/R |
| | | B | FS 125 REGOLARITA' | 125 | 1983 | F/R |
| | | B | F5 250 | 250 | 1984 | F |
| | SWM | B | GS 50 RBS ENDURO | 50 | 1983 | F/R |
| | | B | MC 50 CROSS | 50 | 1983 | F/R |
| | | B | MK 50 | 50 | 1983 | F/R |
| | | B | GS 80 RBS ENDURO | 80 | 1983 | F/R |
| | | B | MC 80 CROSS | 80 | 1983 | F/R |
| | | B | MK 80 | 80 | 1983 | F/R |
| | | B | HW 125 | 125 | 2000 | F/R |
| | | B | MW 125 TRIAL | 125 | 2000 | F/R |
| | | B | TL 125 | 125 | 2000 | F/R |
| | | B | HW 240 | 240 | 2000 | F/R |
| | | B | MW 240 TRIAL | 240 | 2000 | F/R |
| | | B | TL 240 | 240 | 2000 | F/R |
| | | B | TRIAL 240 | 240 | 2000 | F/R |
| | | B | HW 320 | 320 | 2000 | F/R |
| | | B | MW 320 TRIAL | 320 | 2000 | F/R |
| | | B | TL 320 | 320 | 2000 | F/R |
| | | B | TRIAL 320 | 320 | 2000 | F/R |
| | | B | HW 350 | 350 | 2000 | F/R |
| | | B | MW 350 TRIAL | 350 | 2000 | F/R |
| | | B | TL 350 | 350 | 2000 | F/R |
| FSB899 | BETA | B | TR 32 240 (mozzo ant autocentrante) | 240 | 1984 | 1985 F |
| | FANTIC | B | RAIDER 125 | 125 | 1983 | R |
| | | B | RAIDER 125 LC | 125 | 1983 | R |
| | | B | TRIAL 240 SEVEN DAYS (FM. 289) | 240 | 1986 | F |
| | | B | TRIAL 300 (FM. 403) | 300 | 1984 | F |
| FSB900 | APRILIA | B | CLASSIC 50 | 50 | 1992 | R |
| | | B | RED ROSE 50 | 50 | 1992 | R |
| | | B | CLASSIC 80 | 80 | 1993 | R |
| | FANTIC | B | OASIS 50 .1 KICK | 50 | 1987 | R |
| | | B | TRIAL 50 .1 H2O | 50 | 1987 | R |
| FSB901 | ANCILLOTTI | B | PSV 250 MX | 250 | 1983 | R |
| | APRILIA | B | MX 125 | 125 | 1983 | R |
| | | B | RX 125 | 125 | 2000 | R |
| | | B | MX 250 | 250 | 1983 | R |
| | | B | MX 250 | 250 | 2000 | F/R |
| | | B | RX 250 | 250 | 2000 | F/R |
| | ASPES | B | CS 75 50 NAVAHO | 50 | | R |
| | | B | DUMA 125 | 125 | | R |
| | | B | HOP1 125 | 125 | | R |
| | | B | JUMA 125 | 125 | | R |
| | BETA | B | 125 6V | 125 | 1974 | F/R |
| | | B | 125 SCRAMBLER | 125 | 1982 | F |
| | | B | CR 125 | 125 | 1982 | F/R |
| | | B | CR 125 | 125 | 2000 | R |
| | | B | RC 125 | 125 | 1976 | R |
| | | B | RC 125 (liquid cooled) | 125 | 1981 | F/R |
| | | B | RC 125 EXPORT ASPIRATO | 125 | 1980 | F/R |
| | | B | CR - RV 250 | 250 | 1981 | F |
| | | B | CR 250 | 250 | 1983 | R |
| | | B | GS - RV 250 | 250 | 2000 | F/R |
| | | B | CR - RV 350 | 350 | 1980 | F |
| | | B | GS -RV 350 | 350 | 1980 | F |
| | CAGIVA | B | ALETTA 125 ELECTRA | 125 | 1988 | R |
| | | B | SST 125 | 125 | 1981 | R |
| | | B | XSST 125 ruota integrale | 125 | 1978 | R |
| | | B | MXR 250 | 250 | 2000 | F/R |
| | | B | RX 250 | 250 | 2000 | F/R |
| | | B | MXR 400 | 400 | 2000 | F/R |
| | | B | MXR 500 | 500 | 2000 | F/R |
| | FANTIC | B | CROSS 80 COMPETITION | 80 | 1981 | R |
| | | B | ENDURO 80 | 80 | 1980 | R |
| | | B | CROSS 125 COMPETITION | 125 | 1980 | R |
| | | B | ENDURO 125 | 125 | 1980 | R |
| | | B | REGOLARITA' 125 | 125 | 1981 | R |
| | GILERA | B | TG1 80 | 80 | | R |
| | | B | TG2 80 | 80 | | R |
| | | B | TG3 80 | 80 | | R |



| | | | CC | FROM | TO | FRONT / REAR |
|--------|-----------------|---|-------------------------------------|------|------|--------------|
| | | B | ARCORE 125 | 125 | | F |
| | | B | E1 125 | 125 | | R |
| | | B | E1 125 COMPETIZIONE | 125 | | R |
| | | B | GR1 125 | 125 | | R |
| | | B | ARCORE 150 | 150 | | R |
| | KRAMER | B | 250 | 250 | | R |
| | MOTO MORINI | B | KANGURO 350 | 350 | 2000 | F |
| | | B | CAMEL 500 | 500 | 1984 | R |
| | | B | CAMEL 500 | 500 | 2000 | F |
| | PUCH | B | F5 250 REGOLARITA' | 250 | 1983 | F |
| | | B | MC 250 VHS W | 250 | 1983 | F |
| | | B | CROSS 347 | 347 | 2000 | F |
| | | B | FS 347 REGOLARITA' | 347 | 2000 | F |
| | | B | MC 496 | 496 | 2000 | F |
| | SWM | B | CROSS 125 | 125 | 2000 | F/R |
| | | B | ENDURO 125 | 125 | 2000 | F/R |
| | | B | ENDURO 175 | 175 | 2000 | F/R |
| | | B | CROSS 250 | 250 | 2000 | F/R |
| | | B | ENDURO 347 | 347 | 2000 | F/R |
| | | B | CROSS 440 | 440 | 2000 | F/R |
| | | B | ENDURO 440 | 440 | 2000 | F/R |
| FSB902 | BENELLI | B | BOBO 50 | 50 | 1978 | F/R |
| | | B | EXPORT 3 V 50 | 50 | 1979 | F/R |
| | | B | G 2 50 | 50 | 1979 | F/R |
| | | B | MOTORELLA 50 | 50 | 1979 | F/R |
| | BETA | B | ANDY 50 alloy wheels | 50 | 1978 | F/R |
| | | B | ANDY 50 spoke wheels | 50 | 1978 | F/R |
| | | B | B12 50 | 50 | 1973 | F/R |
| | | B | MIO 50 | 50 | 1979 | F/R |
| | FANTIC | B | ISSIMO 50 (spoke wheels) | 50 | | F/R |
| | GARELLI | B | BASIC 50 (spoke wheel) | 50 | | F/R |
| | | B | EUREKA 50 | 50 | | F/R |
| | | B | GULP 50 | 50 | | F/R |
| | | B | NOI 50 (spoke wheel) | 50 | | F/R |
| | | B | NOI 50 MATIC | 50 | | F/R |
| | | B | SUPER VIP 50 | 50 | | F/R |
| | | B | VIP 50 (spoke wheel) | 50 | | F/R |
| | GILERA | B | CB 1 50 | 50 | | F |
| | | B | CBA 50 | 50 | | F |
| | | B | CBA 50 | 50 | 1986 | F |
| | | B | ECO 50 | 50 | | F |
| | MALAGUTI | B | CHOPPER 25 | 25 | 2000 | R |
| | | B | CHOPPER 40 | 40 | 2000 | R |
| | | B | LX 50 SPORT | 50 | 2000 | R |
| | | B | Mopeds 50 (all models) | 50 | 2000 | R |
| | | B | RCW 50 RONCO | 50 | 2000 | R |
| | | B | VA 50 OLYMPIQUE | 50 | 2000 | R |
| | | B | CHOPPER 80 | 80 | 2000 | R |
| | MOTO GUZZI | B | CHIU' 50 | 50 | 1974 | 1976 F/R |
| | | B | DINGO 50 3 V | 50 | 1975 | 1976 F/R |
| | | B | DINGO 50 3M | 50 | 1966 | 1974 F/R |
| | | B | DINGO 50 M | 50 | 1969 | 1973 F/R |
| | | B | DINGO 50 MM | 50 | 1975 | 1976 F/R |
| | | B | MAGNUM 50 | 50 | 1975 | 1976 F/R |
| | | B | TROTTER 50 | 50 | 1966 | 1970 F/R |
| | | B | TROTTER 50 MARK M - V | 50 | 1971 | 1973 F/R |
| | | B | TROTTER 50 SPECIAL M - V | 50 | 1971 | 1973 F/R |
| | | B | TROTTER 50 SUPER | 50 | 1966 | 1970 F/R |
| | PIAGGIO | B | FREE 50 | 50 | 1993 | 1995 F |
| | PIAGGIO (moped) | B | BOXER 50 | 50 | | F |
| | | B | BRAVO 50 | 50 | | F |
| | | B | CIAO 50 | 50 | | F |
| | | B | SI 50 | 50 | | F |
| | | B | SUPER BRAVO 50 | 50 | 1985 | F |
| | PIAGGIO (Spain) | B | VESPINO 50 | 50 | 2000 | F |
| | RIZZATO | B | ATALA UNO 50 (spoke wheels) | 50 | | F/R |
| | TOMOS | B | K 83 | 83 | | F/R |
| | | B | M 83 | 83 | | F/R |
| FSB903 | GARELLI | B | FORMUNO 50 (up to frame n° 2701551) | 50 | 1987 | F |
| FSB904 | ACCOSSATO | B | CE 80 CROSS H 20 | 80 | 1984 | F |
| | | B | CE 80 ENDURO H 20 | 80 | 1984 | F |
| | | B | CE 125 CROSS H 20 | 125 | 1984 | F |
| | | B | CE 125 ENDURO H 20 | 125 | 1984 | F |
| | APRILIA | B | TUAREG 125 | 125 | 1984 | F |
| | | B | MX 250 | 250 | 1984 | F/R |
| | | B | RX 250 | 250 | 1984 | F/R |
| | TRE SOLDI | B | REGOLARITA' 80 | 80 | 1986 | 1986 R |
| FSB905 | BETA | B | TR 33 TREKKING 240 | 240 | 1988 | R |

B = Bike
A = ATV
S = Snowmobile

FERODO
MOTORCYCLE PADS
Updated on 30th Jan 2014

B = Bike
A = ATV
S = Snowmobile

3069



| | | | CC | FROM | TO | FRONT / REAR | | |
|----------|-------------------------------|---------|--|-----------------------------------|------------|--------------|--------|---|
| FSB906 | GARELLI | B | FORMUNO 50 (from frame n° 2701552) | 50 | 1987 | F | | |
| | PEUGEOT | B | FOX 50 | 50 | 1996 | F | | |
| FSB907 | ACCOSSATO | B | 50 CROSS MINI | 50 | 1982 | F/R | | |
| | | B | ET 50 | 50 | 1984 | 1986 F | | |
| | APRILIA | B | RC 50 | 50 | 2000 | F/R | | |
| | | B | RED ROSE 50 | 50 | 1988 | 1991 R | | |
| | | B | TUAREG 50 | 50 | 1984 | 1986 F | | |
| | | ASPES | B | CS 50 NAVAHO | 50 | | F/R | |
| | | | BETA | B | FOUR 50 AE | 50 | 1987 | R |
| | | | | B | FOUR 50 S | 50 | 1987 | R |
| | | | B | FOUR TWIN 50 | 50 | 1988 | R | |
| | | | B | M4 50 | 50 | 1983 | R | |
| | | | B | M6 50 | 50 | 1983 | R | |
| | | | B | MS 50 | 50 | 1980 | R | |
| | B | | MX4 50 Special | 50 | 1970 | F/R | | |
| | B | | SCRAMBLER 50 4 M | 50 | 1982 | F/R | | |
| | B | | SQUIRREL 50 | 50 | 1983 | R | | |
| | FANTIC | B | TR 50 | 50 | 1980 | 1986 F | | |
| | | B | TR 80 | 80 | 1980 | F | | |
| | GARELLI | B | TRIAL 50 I SERIE (mozzi centrali) | 50 | 2000 | F | | |
| | | B | TRIAL 125 I SERIE. (tEL. grig. m. cen) | 125 | | F | | |
| | MALAGUTI | B | CICLONE 50 I SERIE (spoke wheel) | 50 | | F/R | | |
| | | B | CICLONE 50 II SERIE (alloy wheels) | 50 | | F/R | | |
| | | B | CICLONE 50 N DE LUXE SELF MIX L.C | 50 | | R | | |
| | | B | CICLONE 50 N/N DE LUXE SELF MIX L | 50 | | F/R | | |
| | | B | GRAN TURISMO 50 (alloy wheel) | 50 | | F/R | | |
| | | B | KL 50 SV | 50 | | F/R | | |
| | | B | CENTRO 50 | 50 | 2000 | F | | |
| | | B | FIFTY 50 4 MARCE | 50 | 1987 | F/R | | |
| | | B | FIFTY 50 FULL (all models) | 50 | 1983 | R | | |
| | | B | FIFTY 50 HF | 50 | 1987 | F/R | | |
| | MOTO GUZZI | B | FIFTY 50 HF | 50 | 2000 | R | | |
| | | B | FIFTY 50 NL | 50 | 1987 | F/R | | |
| | | B | FIFTY 50 TOP | 50 | 1985 | R | | |
| | | B | WC 50 WATERCOOLED | 50 | 2000 | R | | |
| | | B | DINGO 50 CROSS | 50 | 1966 | 1974 F/R | | |
| | | B | DINGO 50 GT | 50 | 1966 | 1974 F/R | | |
| | | B | DINGO 50 SPORT | 50 | 1966 | 1974 F/R | | |
| | | B | DINGO 50 SUPER | 50 | 1966 | 1974 F/R | | |
| | | B | DINGO 50 TURISMO | 50 | 1966 | 1974 F/R | | |
| | | RIZZATO | B | ATALA CALIFFONE 50 (alloy wheels) | 50 | | F/R | |
| | B | | ATALA MASTER 50 (alloy wheels) | 50 | | F/R | | |
| | SWM | B | TL 50 TRIAL | 50 | 2000 | F/R | | |
| | | B | TR 50 | 50 | 2000 | F/R | | |
| | | B | TL 80 TRIAL | 80 | 2000 | F/R | | |
| | | B | TR 80 | 80 | 2000 | F/R | | |
| | FSB908 | BENELLI | B | G 2 50 ELLE | 50 | 1979 | F/R | |
| | | GARELLI | B | BASIC 50 (alloy wheels grimeca) | 50 | | F/R | |
| | B | | FORMUNO 50 (from frame n° 2701552) | 50 | 1987 | R | | |
| | B | | FORMUNO 50 (up to frame n° 2701551) | 50 | 1987 | R | | |
| | B | | FORMUNO 50 F1 RAID | 50 | 1987 | R | | |
| | B | | NOI 50 (alloy wheels grimeca) | 50 | | F/R | | |
| B | TEAM MATIC 50 | | 50 | 1988 | R | | | |
| B | VIP 50 (alloy wheels grimeca) | | 50 | | F/R | | | |
| MALAGUTI | B | | DRIBBLING 50 (all models) | 50 | 1987 | F/R | | |
| | B | | FIFTY 50 RV | 50 | 1987 | F/R | | |
| | B | | FIFTY 50 RV VARIATORE / KICK | 50 | 1987 | F/R | | |
| | B | | FOX 50 CUSTOM | 50 | 1988 | F/R | | |
| | B | | GRIZZLY 50 (all models) | 50 | 1987 | F/R | | |
| | B | | GRIZZLY 50 RCX / "12" | 50 | 1987 | R | | |
| | B | | RANOCCHIO 50 3 RUOTE | 50 | 1988 | F/R | | |
| | B | | RG 50 STRADA | 50 | 1983 | R | | |
| | PIAGGIO (moped) | | B | BOSS 50 | 50 | 1988 | F | |
| | | | B | BRAVO 50 (alloy wheels 90mm hub) | 50 | 1987 | F | |
| PUCH | B | | MAXI 80 EXECUTIVE | 80 | 1988 | F | | |
| FSB909 | APRILIA | | B | ETX 125 | 125 | 1985 | 1986 R | |
| | | | B | ETX 125 | 125 | 1986 | 1997 R | |
| | | B | RX 125 | 125 | 1986 | R | | |
| | | B | TREND GO WEST 125 | 125 | 1987 | R | | |
| | | B | TUAREG 125 | 125 | 1984 | R | | |
| | | B | TUAREG 125 RALLY | 125 | 1986 | R | | |
| | | B | RX 250 | 250 | 1986 | R | | |
| | | B | TUAREG 250 RALLY | 250 | 1986 | R | | |
| FSB910 | BETA | B | PULMAN 50 | 50 | 1970 | F/R | | |
| | | B | SPRINTER 50 | 50 | 1984 | F/R | | |
| | FANTIC | B | SPRINTER 50 3V. (F.M. 248) | 50 | 1983 | F/R | | |
| | | B | JUNIOR 50 TURISMO (spoke wheel) | 50 | | F/R | | |
| | GILERA | B | TREND 50 | 50 | 1989 | 1992 F | | |



| | | | CC | FROM | TO | FRONT / REAR | | |
|--------|-----------------|-----------------|---|-----------------------------------|--------------|--------------|-----|------|
| | ITALJET | B | SHOPPING 50 | 50 | 1990 | F | | |
| | | B | PIAGGIO (moped) | 50 | 1987 | F | | |
| | | PIAGGIO (Spain) | B | BRAVO 50 (alloy wheels) | 50 | 1987 | F | |
| | | | B | CIAO 50 (alloy wheels) | 50 | 1987 | F | |
| | | | B | GRILLO 50 | 50 | 1989 | F | |
| | | | B | SI 50 (alloy wheels) | 50 | 1980 | F | |
| | | | B | SUPERBRAVO 50 3 Marce | 50 | 1987 | F | |
| | | | B | VESPINO 50 | 50 | 1980 | F | |
| | | | B | ATALA CALIFFONE 50 (spoke wheels) | 50 | | F/R | |
| | | | FSB911 | APRILIA | B | TUAREG 250 | 250 | 1984 |
| B | | | | | GARELLI | 125 | | R |
| | | | GILERA | B | TIGER 125 XR | 125 | | R |
| | B | TIGER 125 XRD | | 125 | 1983 | R | | |
| | B | HX 125 LC | | 125 | 1983 | R | | |
| | B | MOTO GUZZI | | 125 | 1985 | R | | |
| FSB912 | PIAGGIO (Spain) | B | TT 125 | 80 | 1986 | 1986 F | | |
| | | B | TRE SOLDI | 80 | 1986 | 1986 F | | |
| FSB912 | PIAGGIO (Spain) | B | REGOLARITA' 80 | 80 | 1986 | 1986 F | | |
| | | B | PIAGGIO (Spain) | 50 | 1980 | R | | |
| FSB913 | YAMAHA | B | VESPINO 50 | 50 | 2000 | R | | |
| | | B | VESPINO 50 | 50 | 2000 | R | | |
| FSB913 | YAMAHA | B | XT 125 | 125 | 1976 | F | | |
| | | B | YZ 125 C - D - E - F - G - H - J | 125 | 1976 | 1982 F | | |
| | | B | IT 175 G - H - I | 175 | 1980 | 1982 F | | |
| | | B | IT 250 G | 250 | 1980 | F | | |
| | | B | IT 250 H - J - K | 250 | 1981 | 1983 F | | |
| | | B | TY 250 H | 250 | 1981 | 1983 F | | |
| | | B | XL 250 G | 250 | 1980 | F | | |
| | | B | YZ 250 D - E - F | 250 | 1976 | 1979 F | | |
| | | B | YZ 250 G | 250 | 1980 | F | | |
| | | B | YZ 250 H | 250 | 1981 | F | | |
| | | B | YZ 400 D - E - F | 400 | 1977 | 1979 F | | |
| | | B | IT 425 G | 425 | 1980 | F | | |
| | | B | IT 500 G - H | 500 | 1980 | 1981 F | | |
| | | B | TT 500 G - H | 500 | 1976 | 1981 F | | |
| FSB914 | ITALJET | B | BAZOOKA 1 50 | 50 | 1991 | F | | |
| | | B | REPORTER 50 | 50 | 1990 | 1993 F | | |
| | | B | RAPIDO | 50 | | F | | |
| FSB915 | PIAGGIO | B | SCRENNNA 50 | 50 | | F | | |
| | | B | FREE 50 | 50 | 1993 | 1995 R | | |
| | | B | FREE 50 (alloy wheels) | 50 | 1996 | 2000 F | | |
| FSB916 | BSA | B | ZIP 50 | 50 | 1992 | 1996 F | | |
| | | B | BANTAM D7 175 | 175 | | F/R | | |
| | | B | TRIUMPH | 500 | | F/R | | |
| FSB917 | BSA | B | CUB 500 | 500 | | F/R | | |
| FSB918 | BSA | B | BANTAM D1 125 | 125 | | F/R | | |
| FSB918 | BSA | B | C15 250 | 250 | | F/R | | |
| FSB919 | TRIUMPH | B | T 100 | 100 | 1970 | F | | |
| | | B | T 120 | 120 | 1966 | F | | |
| | | B | T 140 | 140 | 1970 | F | | |
| | | B | T 150 | 150 | 1969 | F | | |
| FSB920 | NORTON | B | COMMANDO | 750 | 1968 | 1970 F | | |
| FSB921 | TRIUMPH | B | T 100 | 100 | 1970 | R | | |
| | | B | T 120 | 120 | 1966 | R | | |
| | | B | T 140 | 140 | 1970 | R | | |
| | | B | T 150 | 150 | 1969 | R | | |
| | | B | TIGER 750 TR 7V | 750 | 2000 | R | | |
| | | B | COMMANDO | 750 | 1968 | 1970 R | | |
| | | B | adaptable to front 200x30 drums | | | F | | |
| FSB924 | BSA | B | A 7 - A 10 125 | 125 | | R | | |
| FSB925 | HONDA | B | FL 400 R PILOT (4W) | 400 | 1989 | 1990 F | | |
| | | A | HONDA ATV | 200 | 1984 | F | | |
| | | A | TRX 200 Fourtrax | 250 | 1985 | 1987 F | | |
| | | A | TRX 250 Drum Brake | 250 | 1985 | 1987 F | | |
| | | A | TRX 250 Fourtrax | 350 | 1985 | 1990 F | | |
| | | A | FL 350 R ODYSSEY | 400 | 1989 | 1990 F | | |
| | | A | FL 400 R Pilot | 400 | 1989 | 1990 F | | |
| FSB927 | SUZUKI ATV | A | LT 230 GEF/GEG QUADRUNNER | 230 | 1985 | 1986 F | | |
| | | A | LT-F 230 G/H | 230 | 1986 | 1987 F | | |
| | | A | LT 250 EF | 250 | 1985 | 1986 F | | |
| | | A | LT 300 E | 300 | 1987 | 1989 F | | |
| FSB928 | YAMAHA ATV | A | YFM 350 ERT/ERU | 350 | 1987 | 1988 F | | |
| | | A | YFM 350 FW T/U | 350 | 1987 | 1988 F | | |
| | | A | YFM 350 FW T/U BIG BEAR | 350 | 1987 | 1988 F | | |
| FSB929 | SUZUKI ATV | A | LT-F 300 KING QUAD | 300 | 1991 | 2001 F | | |
| | | A | LT-F 400 X | 400 | 1991 | 2000 F | | |
| FSB931 | HONDA ATV | A | TRX 300 (4WD) FW Fourtrax | 300 | 1988 | 2000 F | | |
| | | A | TRX 350 TM/TE/FE/FM Fourtrax Rancher | 350 | 2000 | 2007 F | | |
| | | A | TRX 400 Fourtrax Rancher | 400 | 2004 | 2007 F | | |
| | | A | TRX 450 FE/FM Fourtrax Foreman ES / S | 450 | 1998 | 2004 F | | |
| | | A | TRX 500 FA Fourtrax Rubicon | 500 | 2001 | 2004 F | | |
| | | A | TRX 500 FGA Fourtrax Foreman Rubicon Gpscape | 500 | 2001 | 2005 F | | |
| | | A | TRX 650 FA Rincon / FGA Fourtrax Rincon Gpscape | 650 | 2003 | 2005 F | | |
| | | A | TRX 300 BAYOU A Series | 300 | 1986 | 1987 F | | |
| FSB932 | KAWASAKI ATV | A | KLF 300 BAYOU A Series | 300 | 1986 | 1987 F | | |
| FSB933 | YAMAHA ATV | A | YFM 350 ER E/F/G | 350 | 1993 | 1995 F | | |
| | | A | YFM 350 FW H/J/K BIG BEAR | 350 | 1996 | 1998 F | | |

3070

B = Bike
A = ATV
S = Snowmobile

MOTORCYCLE PADS
Updated on 30th Jan 2014

B = Bike
A = ATV
S = Snowmobile



| | | | CC | FROM | TO | FRONT / REAR | |
|-----------|--------------------|---|---|------|------|--------------|-----|
| ...FSB933 | | A | YFM 350 FW W/A/B/D/E/F/G BIG BEAR | 350 | 1989 | 1995 | F |
| | | A | YFM 400 FW KODIAK | 400 | 1993 | 1998 | F |
| FSB934 | KAWASAKI ATV | A | KAF 300 (MULE 250 / 500 / 550 / 520) | 550 | 1992 | 2000 | F |
| | SUZUKI ATV | A | LT-F 250 4WD QUADRUNNER | 250 | 1987 | 2002 | F |
| | | A | LT-F 250 F QUADRUNNER | 250 | 1999 | 2002 | F |
| | | A | LT-F 250 QUADRUNNER | 250 | 1988 | 2001 | F |
| FSB935 | PIAGGIO (motocarr) | B | APE POKER 420 | 420 | 1993 | | F/R |
| | | B | APE POKER 420 DIESEL | 420 | 1993 | 1997 | F/R |
| | | B | VTL 500 QUARGO | 500 | 2005 | | F/R |
| FSB936 | CZ | B | adaptable to front 85x20 drums | | | | F |
| FSB937 | PIAGGIO (moped) | B | P1 50 | 50 | 1994 | | F/R |
| | PUCH | B | RADICAL 50 | 50 | 1994 | | F/R |
| FSB938 | GILERA | B | RUNNER 50 | 50 | 1997 | 1998 | R |
| | | B | TYPHOON 125 | 125 | 1995 | | R |
| | | B | TYPHOON 125 XR KAT | 125 | 2000 | | R |
| | PIAGGIO | B | FREE 50 | 50 | 2002 | | R |
| | | B | NGR 50 POWER DT | 50 | 2005 | 2007 | R |
| | | B | NRG 50 DT MC3 | 50 | 2001 | 2005 | R |
| | | B | NRG 50 MC2 | 50 | 1998 | | R |
| | | B | NRG 50 MC3 | 50 | 1999 | 2001 | R |
| | | B | TYPHOON XR 50 | 50 | 2000 | 2007 | R |
| | | B | VELOFAX 50 | 50 | 1996 | | F |
| | | B | VESPA 50 ET2 | 50 | 1997 | 1998 | R |
| | | B | VESPA 50 ET4 | 50 | 1999 | | R |
| | | B | Vespa LXV 50 | 50 | 2007 | 2009 | R |
| | | B | VESPA S 50 (2T) | 50 | 2007 | | R |
| | | B | VESPA S 50 (4T/4V) | 50 | 2008 | | R |
| | | B | VESPA S 50 Sport (2T) | 50 | 2011 | | R |
| | | B | VESPA S 50 Sport (4T/4V) | 50 | 2011 | | R |
| | | B | XR 50 | 50 | 2000 | | R |
| | | B | ZIP 50 | 50 | 1999 | | R |
| | | B | ZIP 50 Grimeca/Heng Tong A/C 4T | 50 | 2000 | 2008 | R |
| | | B | ZIP 50 SP | 50 | 2001 | 2006 | R |
| | | B | ZIP 50 BASE (Disc) | 50 | 1995 | 1996 | R |
| | | B | ZIP 50 RST | 50 | 1996 | 1997 | R |
| | | B | ZIP 50 SP | 50 | 1996 | 2000 | R |
| | | B | Zip 100 | 100 | 2007 | | R |
| | | B | HEXAGON 125 | 125 | 1994 | 1997 | R |
| | | B | SFERA 125 | 125 | 1995 | 1997 | R |
| | | B | SFERA 125 (4 stroke) | 125 | 1996 | | R |
| | | B | SKIPPER 125 | 125 | 1993 | 1997 | R |
| | | B | TYPHOON 125 / XR 125 | 125 | 1995 | 2000 | R |
| | | B | VESPA 125 ET4 | 125 | 1996 | | R |
| | | B | Vespa S 125 (4T) | 125 | 2007 | 2012 | R |
| | | B | Vespa S 125 Sport (4T) | 125 | 2011 | 2012 | R |
| | | B | ZIP 125 | 125 | 2000 | | R |
| | | B | HEXAGON 150 | 150 | 1994 | 1999 | R |
| | | B | SKIPPER 150 | 150 | 1993 | 1997 | R |
| | | B | VESPA 150 ET4 | 150 | 1996 | | R |
| | | B | VESPA LX 150 (4T/3V) 05-13 | 150 | 2005 | | R |
| | | B | VESPA LX 150 (Serie Speciali/4T) | 150 | 2012 | | R |
| | | B | VESPA S 150 (4T) | 150 | 2007 | 2013 | R |
| | | B | VESPA S 150 Sport (4T) | 150 | 2011 | 2012 | R |
| FSB939 | APRILIA | B | SCARABEO 50 | 50 | 1994 | 1995 | F |
| FSB940 | GILERA | B | TYPHOON 50 | 50 | 1996 | | R |
| | PIAGGIO | B | FREE 50 | 50 | 1996 | 2000 | R |
| | | B | FREE Delivery 50 | 50 | 2000 | 2001 | R |
| | | B | NRG 50 | 50 | 1996 | 1997 | R |
| | | B | NRG 50 MC2 | 50 | 1996 | 1997 | R |
| | | B | NTT 50 | 50 | 1996 | | R |
| | | B | SFERA 50 RST | 50 | 1995 | 1997 | R |
| | | B | TYPHOON 50 | 50 | 1993 | 1999 | R |
| | | B | ZIP 50 Electric | 50 | 2002 | | R |
| | | B | ZIP 50 FAST RIDER | 50 | 1993 | 1997 | R |
| | | B | TYPHOON 80 | 80 | 1993 | 1996 | R |
| FSB941 | MALAGUTI | B | CR1 50 CROSSER | 50 | 1995 | | R |
| | | B | CR1 50 CROSSER | 50 | 1996 | | R |
| FSB942 | HONDA | B | XL 250 K3 - K4 | 250 | 1978 | 1979 | F |
| FSB943 | HONDA | B | CB 250 B4 | 250 | 1973 | 1975 | F |
| | | B | CB 250 K3 - K4 - K5 | 250 | 1973 | 1975 | F |
| | | B | CB 350 K4 | 350 | | | F |
| | | B | CB 360 G5 all models | 360 | 1975 | | F |
| FSB944 | HONDA ATV | A | TRX 350/TRX 350D Fourtrax/Foreman | 350 | 1986 | 1989 | F |
| FSB945 | HONDA | B | TRZ 200 (4W) | 200 | 1990 | | F |
| | HONDA ATV | A | TRX 200 (Fourtrax/SX Fourtrax/D Type II Fourtrax) | 200 | 1986 | 1998 | F |
| | | A | TRX 250 D RECON/TE-TEA Recon ES/TM-TMA Recon | 250 | 1997 | 2010 | F |
| | | A | TRX 300 (2WD) Fourtrax | 300 | 1988 | 2000 | F |
| FSB946 | HONDA | B | 125 PANTHEON | 125 | 1998 | 1999 | R |



| | | | CC | FROM | TO | FRONT / REAR | |
|--------|---------------------|---|---|------|------|--------------|-----|
| | | B | 125 PANTHEON | 125 | 2000 | | R |
| | | B | 150 PANTHEON | 150 | 1998 | 1999 | R |
| | | B | 150 PANTHEON | 150 | 2000 | 2002 | R |
| | | B | FE 250 FORESIGHT | 250 | 1997 | 1998 | R |
| | HONDA ATV | A | TRX 350 TM/TE/FE/FM Fourtrax Rancher | 350 | 2000 | 2007 | R |
| | | A | TRX 400 Fourtrax Rancher | 400 | 2004 | 2007 | R |
| | | A | TRX 400 FW / FM Fourtrax Foreman | 400 | 1995 | 2003 | R |
| | | A | TRX 420 FPE/FPM Fourtrax Rancher 4x4 | 420 | 2009 | 2010 | R |
| | | A | TRX 420 TM/TE/FE/FM Fourtrax Rancher | 420 | 2007 | 2010 | R |
| | | A | TRX 450 FE/FM Fourtrax Foreman ES / S | 450 | 1998 | 2004 | R |
| FSB947 | APRILIA | B | SCARABEO 100 (Yamaha engine) | 100 | 2000 | | R |
| | BENELLI | B | K2 100 BIPOSTO | 100 | 1999 | | R |
| | ITALJET | B | MILLENNIUM 100 | 100 | 2000 | 2001 | R |
| | | B | MILLENNIUM 100 | 100 | 2002 | 2003 | R |
| | | B | MILLENNIUM 125 | 125 | 2000 | 2001 | R |
| | | B | MILLENNIUM 125 | 125 | 2001 | 2003 | R |
| | | B | MILLENNIUM 150 | 150 | 2000 | 2001 | R |
| | | B | MILLENNIUM 150 | 150 | 2001 | 2003 | R |
| | KSR MOTO BY GENERIC | B | Zion 125/150 (Rear Drum Model) | 125 | 2008 | 2010 | R |
| | MBK | B | BOOSTER 100 | 100 | 2000 | 2002 | R |
| | | B | DOODO 125 | 125 | 2001 | 2003 | R |
| | | B | SKYLINER 01 - 125 | 125 | 1998 | 2000 | R |
| | | B | DOODO 150 | 150 | 2001 | 2003 | R |
| | | B | SKYLINER 150 | 150 | 2000 | 2002 | R |
| | YAMAHA | B | BW' S 100 | 100 | 2000 | 2002 | R |
| | | B | YN 100 NEO'S | 100 | 2000 | 2003 | R |
| | | B | BL 125 BELUGA | 125 | 1993 | 1995 | R |
| | | B | RIVA 125 XX | 125 | 1993 | | R |
| | | B | XC 125 CYGNUS T | 125 | 1995 | | F |
| | | B | XN 125 N TEO'S | 125 | 2000 | 2003 | R |
| | | B | XV 125 VIRAGO | 125 | 1997 | 2000 | R |
| | | B | XVS 125 DRAG STAR | 125 | 2000 | | R |
| | | B | YP 125 MAJESTY R | 125 | 1998 | 2000 | R |
| | | B | RT 180 | 180 | 1993 | 1994 | R |
| | | B | RT 180 G | 180 | 1995 | 2000 | R |
| | | B | TW 200 | 200 | 1993 | 2000 | F |
| | | B | SRV 250 SOULFULTWIN RENAISSA | 250 | 1992 | 1997 | R |
| | | B | XV 250 S DRAGSTER | 250 | 2001 | 2003 | R |
| | | B | XV 250 S VIRAGO | 250 | 1995 | 2000 | R |
| | YAMAHA ATV | A | YFM 50 RAPTOR | 50 | 2004 | 2007 | R |
| | | A | YFM 80 BADGER | 80 | 1992 | 2001 | R |
| | | A | YFM 80 GRIZZLY | 80 | 2005 | 2008 | R |
| | | A | YFM 80 RAPTOR | 80 | 2002 | 2008 | R |
| | | A | YFA1 125 BREEZE | 125 | 1992 | 2004 | R |
| | | A | YFM 125 GRIZZLY | 125 | 2004 | 2010 | R |
| FSB948 | YAMAHA ATV | A | YFB 250 | 250 | 1995 | 1998 | F/R |
| | | A | YFB 250 D/E/F TIMBERWOLF | 250 | 1992 | 1994 | R |
| | | A | YFB 250 FW TIMBERWOLF | 250 | 1994 | 2000 | F/R |
| | | A | YFM 250 BEAR TRACKER | 250 | 1999 | 2000 | F/R |
| | | A | YFM 250 BEAR TRACKER | 250 | 2001 | 2004 | R |
| | | A | YFM 250 W/A/B | 250 | 1989 | 1991 | F |
| | | A | YFP 350 U Terrapro | 350 | 1988 | | F |
| | | A | YFM 400 FW Kodiak | 400 | 1999 | 2000 | R |
| FSB950 | SUZUKI | B | T 500 all models | 500 | 1968 | 1975 | F |
| | | B | GT 550 J | 550 | 1972 | 1972 | F |
| FSB951 | PIAGGIO | B | VELOFAX 50 | 50 | 1996 | | R |
| FSB952 | PIAGGIO | B | ZIP 50 | 50 | 1999 | | F |
| | | B | ZIP 50 RST | 50 | 1998 | 1999 | R |
| | PIAGGIO (moped) | B | CIAO 50 MIX | 50 | 1997 | | F |
| | | B | SI 50 MIX | 50 | 1997 | | F |
| FSB953 | APRILIA | B | SCARABEO 50 2T Street / 4T 4V | 50 | 2010 | | R |
| | | B | Sport City One 50 (2T) | 50 | 2008 | 2011 | R |
| | | B | Sport City One 50 (4T) | 50 | 2008 | 2009 | R |
| | | B | Scarabeo 100 (4T) | 100 | 2010 | 2012 | R |
| | | B | SPORTCITY ONE 125 | 125 | 2010 | | R |
| | PIAGGIO | B | Liberty Elettrico | | 2011 | 2012 | R |
| | | B | Liberty 50 (2T / 10 Spoke Cast Wheels) | 50 | 2009 | 2012 | R |
| | | B | Liberty 50 (4T / 10 Spoke Cast Wheels) | 50 | 2009 | 2012 | R |
| | | B | Liberty S 50 (2T) | 50 | 2007 | 2008 | R |
| | | B | Typhoon 50 (2T/12" Wheels) | 50 | 2010 | 2012 | R |
| | | B | Fly 100 (4T) | 100 | 2007 | 2012 | R |
| | | B | Liberty 125 (4T / 10 Spoke Cast Wheels) | 125 | 2009 | 2012 | R |
| | | B | Liberty S 125 | 125 | 2007 | 2008 | R |
| | | B | Typhoon 125 (4T/12" Wheels) | 125 | 2010 | 2012 | R |
| | | B | Liberty 150 (4T / 10 Spoke Cast Wheels) | 150 | 2009 | 2012 | R |
| | | B | Liberty S 200 | 200 | 2007 | 2008 | R |
| FSB954 | APRILIA | B | SR MOTARD 50 | 50 | 2012 | | R |
| | | B | SCARABEO 100 4T / Net | 100 | 2001 | | R |

B = Bike
A = ATV
S = Snowmobile

FERODO
MOTORCYCLE PADS
Updated on 30th Jan 2014

B = Bike
A = ATV
S = Snowmobile

3071



| | | | CC | FROM | TO | FRONT / REAR |
|----------|-------------------|------------------------------------|------------------------------------|--------|--------|--------------|
| FSB954 | GILERA PIAGGIO | B | HABANA 125 all models | 125 | 1999 | R |
| | | B | SR 125 | 125 | 1999 | R |
| | | B | SR MOTARD 125 | 125 | 2012 | R |
| | | B | SR 150 | 150 | 1999 | R |
| | | B | RUNNER 125 | 125 | 2000 | R |
| | | B | RUNNER 180 | 180 | 2000 | R |
| | | B | FLY 50 2T | 50 | 2005 | 2007 R |
| | | B | FLY 50 4T | 50 | 2005 | 2008 R |
| | | B | FLY 50 4T | 50 | 2008 | R |
| | | B | LIBERTY 50 | 50 | 1997 | 2003 R |
| | | B | FREE 100 | 100 | 2002 | R |
| | | B | FLY 125 | 125 | 2004 | 2006 R |
| | | B | HEXAGON 125 LX | 125 | 1998 | 1999 R |
| | | B | LIBERTY 125 4 T | 125 | 1998 | 2002 R |
| | | B | SKIPPER 125 ST 4T | 125 | 1998 | 1999 R |
| | | B | SKIPPER ST 125 (Grimeca caliper) | 125 | 2000 | R |
| | | B | SKIPPER ST 125 (Heng Tong caliper) | 125 | 2000 | R |
| | | B | TYPHOON 125 / XR 125 | 125 | 1999 | 2003 R |
| | | B | LIBERTY 150 | 150 | 2008 | R |
| | | B | LIBERTY 150 LE | 150 | 2000 | 2002 R |
| | | B | SKIPPER 150 ST 4T | 150 | 1998 | 1999 R |
| | B | SKIPPER ST 150 (Grimeca caliper) | 150 | 2000 | R | |
| | B | SKIPPER ST 150 (Heng Tong caliper) | 150 | 2000 | R | |
| | B | HEXAGON 180 LX | 180 | 1998 | 1999 R | |
| FSB956 | APRILIA | B | HABANA 50 all models | 50 | 1998 | R |
| FSB957 | SUZUKI | B | UE - 125 EPICURO | 125 | 1998 | 2000 R |
| | | B | UC 150 EPICURO | 150 | 1998 | 2000 R |
| FSB958 | KYMCO | B | PEOPLE / PEOPLE S 50 4T | 50 | 1999 | R |
| | | B | SUPER 8 50 2T | 50 | 2007 | R |
| | | B | AGILITY 125 R12 4T | 125 | 2006 | 2012 R |
| | | B | AGILITY RS 125 R12 (2T) | 125 | 2009 | R |
| | | B | AGILITY RS 125 R12 (4T) | 125 | 2010 | R |
| | | B | MOVIE 125 | 125 | 1998 | 2000 R |
| | | B | MOVIE 125 (4T) | 125 | 2001 | 2008 R |
| | | B | MOVIE 125 (4T) | 125 | 2008 | R |
| | | B | PEOPLE / PEOPLE S 125 | 125 | 1999 | 2005 R |
| | | B | SUPER 8 125 | 125 | 2008 | R |
| | | B | VIVIO 125 | 125 | 2000 | 2003 R |
| | | B | MOVIE 150 | 150 | 2001 | R |
| | | B | PEOPLE 150 | 150 | 1999 | R |
| | | B | YAGER 150 | 150 | 2001 | R |
| MALAGUTI | B | PEOPLE S 200 | 200 | 2004 | 2007 R | |
| | B | CIAK 125 | 125 | 2001 | R | |
| | B | CIAK 150 | 150 | 2001 | R | |
| FSB959 | SYM | B | HUSKY 125 | 125 | 2000 | R |
| | | B | HUSKY 150 | 150 | 2000 | R |
| FSB960 | SYM | B | Allo 50 (4T) | 50 | 2011 | 2012 R |
| | | B | SHARK 50 | 50 | 1999 | 2003 R |
| | | B | Allo 125 (4T) | 125 | 2011 | 2012 R |
| | | B | ATTILA 125 | 125 | 1999 | 2000 R |
| | | B | ComBiz 125 | 125 | 2011 | 2012 R |
| | | B | EURO MX 125 | 125 | 2002 | R |
| | | B | HD 125 | 125 | 2004 | 2007 R |
| | | B | HD 125 S Evo | 125 | 2007 | R |
| | | B | MEGALO 125 | 125 | 2000 | R |
| | | B | Orbit 125 | 125 | 2008 | 2009 R |
| | | B | VS 125 | 125 | 2006 | R |
| | | B | EURO MX 150 | 150 | 2002 | R |
| | | B | SUPER DUKE 150 | 150 | 1999 | R |
| B | VS 150 | 150 | 2006 | R | | |
| B | HD 200 | 200 | 2004 | 2005 R | | |
| FSB962 | PEUGEOT | B | ELYSEO 100 | 100 | 1999 | 2002 R |
| FSB963 | HONDA | B | NSC 50 | 50 | 2012 | R |
| | | B | LEAD 100 | 100 | | R |
| | | B | CT 110 X | 110 | 2004 | R |
| | | B | NSC 110 | 110 | 2011 | R |
| | | B | SCV 110 | 110 | 2010 | 2011 R |
| | | B | 125 DYLAN | 125 | 2002 | R |
| | | B | @ 125 NES | 125 | 2000 | R |
| | | B | @ 125 NES | 125 | 2001 | R |
| | | B | CBF 125 M | 125 | 2009 | 2012 R |
| | | B | PCX 125 | 125 | 2010 | R |
| | | B | PS 125 i | 125 | 2007 | R |
| | | B | SH 125 & 125i (Rear Drum Model) | 125 | 2000 | 2009 R |
| | | B | @ 150 NES | 150 | 2000 | R |
| | | B | PS 150i | 150 | 2008 | R |
| B | SH 150 | 150 | 2000 | 2008 R | | |
| FSB964 | DAELIM | B | OTELLO / NS 125 | 125 | 1999 | R |



| | | | CC | FROM | TO | FRONT / REAR | |
|--------|--------------------|-----|------------------------|-----------|------|--------------|--------|
| | | B | ROCKET 125 | 125 | 1999 | 2001 R | |
| | | B | VS 125 CUSTOM | 125 | 2001 | R | |
| FSB965 | PIAGGIO (motocari) | B | PORTER | 50 | 1993 | R | |
| FSB966 | | A | 90-Y12 Youth (2T-4T) | 90 | 2002 | 2005 R | |
| | CAN AM ATV | A | DS 70 (2x4/4T) Mini | 70 | 2008 | R | |
| | | A | Mongoose 50 (2T) | 50 | 2004 | 2008 R | |
| | | A | Outlaw 50/90 | | 2007 | 2010 R | |
| | | A | SCRAMBLER 50 / 90 | | 2001 | 2006 R | |
| | | A | PREDATOR 50 | 50 | 2004 | 2006 R | |
| | | A | Predator 50 (2 stroke) | 50 | 2004 | 2006 R | |
| | | A | PREDATOR 90 | 90 | 2003 | 2006 R | |
| | | A | SPORTSMAN 90 | 90 | 2001 | 2010 R | |
| | | SYM | B | SHARK 125 | 125 | 1999 | 2002 R |
| | | | B | SHARK 150 | 150 | 1999 | 2002 R |
| FSB967 | YAMAHA | B | BW's 125 | 125 | 2010 | R | |
| | | B | CYGNUS X 125 | 125 | 2004 | 2011 R | |
| | | B | Xenter 125 | 125 | 2012 | R | |
| | | B | Xenter 150 | 150 | 2012 | R | |



FERODO™

MOTORCYCLE PADS



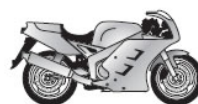
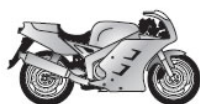
Racing Calipers

FERODO®

MOTORCYCLE PADS

PADS FOR RACING CALIPERS

PASTIGLIE PER PINZE DA COMPETIZIONE



...AMERICAN IRONHORSE

| | |
|-------------------------------------|---------|
| American Ironhorse 6 Pot | FDB2036 |
| American Ironhorse PM caliper 4 pot | FDB2040 |

AP RACING

| | |
|---------------------------------------|---------|
| 2 Piston n° CP2195 | FDB342 |
| 2 Piston n° CP2696 | FDB342 |
| 4 Piston n° CP2044 early w/ tabs | FRP410 |
| 4 Piston n° CP3086 radial narrow-band | FRP410 |
| 4 Piston n° CP4485 | FRP410 |
| 6 Piston n° CP4466/4477 | FDB2167 |

BERINGER

| | |
|----------|---------|
| 4 Piston | FDB574 |
| 6 Piston | FDB2036 |
| 6 Piston | FDB207 |

BRAKING

| | |
|---------------------------------|---------|
| Braking Systems 4 Pot; Twin Pin | FDB2042 |
|---------------------------------|---------|

BREMBO

| | |
|--------------------------------|---------|
| 2-Piston (F04 twin pin w/tabs) | FRP405 |
| 2-Piston (F08/P108) | FDB108 |
| 2-Piston (F08/P108) | FDB148 |
| 2-Piston, new for 1997 (P32G) | FDB2074 |
| 2-Piston/Large (F09) | FDB204 |
| 2-Piston/Small (F05) | FDB207 |
| 2-Piston/Small (P30A) | FDB889 |

BREMBO

| | |
|--|---------|
| 220.9885.30 High Perf. Kit Ducati models (100 mm distance) | FDB2218 |
|--|---------|

BREMBO

| | |
|--|---------|
| 220.A397.10 High Perf. kit Japanese models (108 mm distance) | FDB2218 |
| 220A01610 | FDB2042 |
| 4-Piston Radial mount Billet HP w/ 108mm centers | FDB2042 |
| 4-Piston/2 pads; Narrow (GP32/36-mono), 10mm | FDB2123 |
| 4-Piston; 8mm pad (P3034) | FRP408 |
| 4-Piston; Four Pad - Billet Race | FDB2166 |
| 4-Piston; Four Pad Gold Line | FDB2120 |
| 4-Piston; Four Pad Gold Line | FDB2120 |
| 4-Piston; Four Pad Gold Line | FDB2215 |
| 4-Piston; Four Pad Gold Line 8,5 mm thick version | FDB2215 |
| 4-Piston; Twin Pin Wide Mount 65mm | FDB2042 |
| Brembo Racing, Billet 2x24mm rear: GP24 (2 piston) | FDB2171 |
| Brembo Racing, Billet 4x24mm rear: GP4-24 (4 piston) | FDB2170 |
| Brembo Racing, Billet rear | FDB2122 |
| GP Type Radial Monoblock Racing Caliper | FDB2228 |
| Radial Caliper M4.32 | FDB2265 |
| XA93310/11 4-Piston/2 pads; Narrow (GP32/36-2pc), 8.3mm | FDB2007 |

EBC

| | |
|----------|---------|
| 4 Piston | FDB2041 |
|----------|---------|

FD (DISCACCIATI)

| | |
|--------------------------------|---------|
| 4-Piston | FRP408 |
| 6-Piston | FDB873 |
| 6-Piston - 9,5mm thick version | FDB2144 |

FLORIDA CALIPER

| | |
|-----------------------|--------|
| 4-Piston (Th. 10.7mm) | FDB449 |
| 4-Piston (Th. 8.8mm) | FDB662 |
| 6-Piston (Harrison) | FRP415 |

FONTANA

| | |
|----------|--------|
| 2-Piston | FDB342 |
|----------|--------|

GMA

| | |
|-----------------------|---------|
| A Series (2-Piston) | FDB151 |
| B Series (2-Piston) | FDB205 |
| BP Series | FDB784 |
| F Series (4-Piston)* | FRP405 |
| Inside/Outside Pulley | FDB2100 |
| S Series (6-Piston) | FDB864 |

GRIMECA

| | |
|-----------------------------------|--------|
| 2-Piston, Castle Top: 1025-1 | FDB698 |
| 2-Piston, Castle Top: small | FDB694 |
| 2-Piston, Castle Top: small | FDB697 |
| 2-Piston, medium (four tab, 1010) | FDB205 |
| 2-Piston, small (four tab, 1000T) | FDB213 |
| 2-Piston, Twin Pin: 1000ST | FDB695 |
| 2-Piston, Twin Pin: 1005T | FDB436 |
| 2-Piston, Twin Pin: 1025-2 | FDB696 |
| 2-Piston, Twin Pin: 1050/55 | FRP213 |
| 6-Piston, Castle Top: 911-755 | FDB784 |

HARRISON BILLET

| | |
|---------------------|--------|
| 4 Piston new style | FRP415 |
| 4 Piston old style | FDB207 |
| 6 Piston new style | FRP415 |
| 6 Piston old style | FDB207 |
| MINI 6 (6-Piston)** | FRP415 |

HAWG HALTERS

| | |
|-------|---------|
| 4 Pot | FDB2040 |
| 6 Pot | FDB2036 |

HONDA

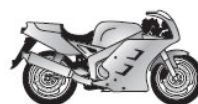
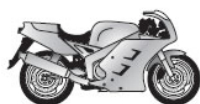
| | |
|-----------------------------------|---------|
| Honda 4 Piston, Brembo / Honda RS | FDB858 |
| Honda 4 Piston, Nissin | FDB533 |
| Honda/Brembo racing kit for RC45 | FDB2008 |

ISR

| | |
|-------------------|--------|
| 2-Piston (22-027) | FRP416 |
|-------------------|--------|

PADS FOR RACING CALIPERS

PASTIGLIE PER PINZE DA COMPETIZIONE



ISR

| | |
|---------------------|--------|
| 2-Piston (22-029) | FDB207 |
| 2-Piston (22-030) | FRP405 |
| 4-Piston (22-025) * | FRP416 |
| 6-Piston, Large ** | FRP415 |

JAYBRAKE

| | |
|----------------------|--------|
| 2 & 4* Piston, large | FDB205 |
| 2 & 4* Piston, small | FRP405 |

KELGATE

| | |
|--------------|---------|
| 2 & 4-Piston | FDB342 |
| 2 & 4-Piston | FRP213 |
| 6-Piston | FDB2091 |

LEGENDS/NOVA

| | |
|----------|---------|
| 4-Piston | FDB2040 |
|----------|---------|

LOCKHEED

| | |
|------------------------------|---------|
| 2-Piston | FDB342 |
| 4-Piston, 8mm | FRP410 |
| 6-Piston (new for 2003) | FDB2167 |
| Radial Mount 4 pot (new '04) | FDB2168 |

MAGURA

| | |
|--|---------|
| 4-Piston Radial Mount | FDB2164 |
| 4-Piston Radial Mount | FDB2268 |
| 4-Piston Radial Mount | FDB2162 |
| 4-Piston Radial Mount - 9.5 mm thick version | FDB2203 |

MOTO-MASTER

| | |
|----------|--------|
| 4-Piston | FDB574 |
|----------|--------|

NISSIN

| | |
|---|---------|
| Nissin 2pot rear (TZ250, others) | FDB2194 |
| Nissin 4Pot Axial Mnt Racing/billet | FDB858 |
| Nissin 4Pot Radial Mount/billet | FDB2209 |
| Nissin 4Pot Radial Mount/cast two piece | FDB2158 |
| Nissin 6 Piston Racing | FDB2036 |

PEGASUS

| | |
|---------------|--------|
| Small Caliper | FRP405 |
|---------------|--------|

PERFORMANCE MACHINE

| | |
|--------------------------|---------|
| 112x6 6-Piston | FDB2036 |
| 125x2 2-Piston | FRP405 |
| 125x4R 4-Piston; 8mm pad | FDB2040 |
| 125x4S 4-Piston * | FRP405 |
| 125x4SL 4 Piston * | FRP405 |
| 125x6 6-Piston | FDB864 |
| 137x4 4-Piston; 11mm pad | FDB2041 |

| | |
|----------------|--------|
| 137x6 6-Piston | FDB847 |
|----------------|--------|

| | |
|----------------|--------|
| 162x2 2-Piston | FDB134 |
|----------------|--------|

PFM

| | |
|--|---------|
| Kawasaki SBK caliper 2009 | FDB2167 |
| Narrow Blade Billet 6-Piston - Superbike | FDB2167 |

PRO-ONE

| | |
|---------------------------|--------|
| Pro -One 4-Piston - Old | FDB781 |
| Pro-One 2-Piston - Old | FDB207 |
| Pro-One 4-Piston - New | FDB574 |
| Pro-One 6-Piston - New ** | FDB207 |

PVM

| | |
|---------------------------------------|---------|
| 2-Piston, rear | FDB2166 |
| 4-Piston, 2 piece caliper, 2pad x 8mm | FDB2007 |
| 4-Piston, mono blok, 2pad x 10mm | FDB2123 |
| PVM 4 Piston, mono blok, 4pad | FDB2166 |

REVTECH® / CUSTOM CHROME

| | |
|----------------------------------|--------|
| RevTech / CCI 4 Pot (CCI #18475) | FRP408 |
|----------------------------------|--------|

SPIEGLER

| | |
|-------------------|---------|
| 4-Piston | FDB2033 |
| 8-Piston | FDB887 |
| 8-Piston (narrow) | FDB2034 |

SPONDON

| | |
|------------------------------------|--------|
| Spondon 2 Piston | FDB342 |
| Spondon 4 Piston (w/ lugs removed) | FRP410 |

THUNDERHEART

| | |
|----------|---------|
| 4-Piston | FDB2040 |
|----------|---------|

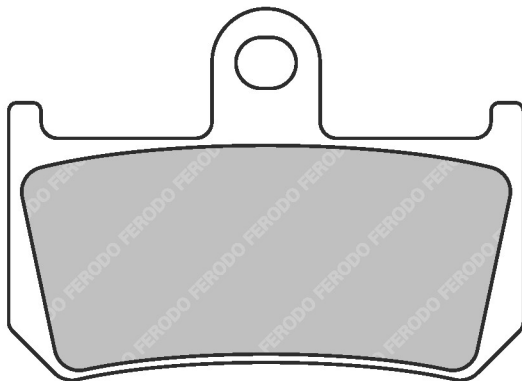
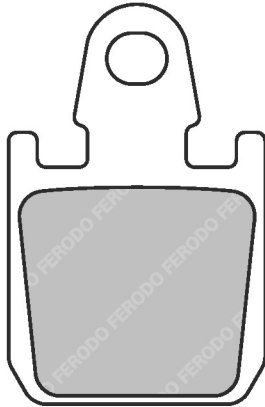
WILWOOD

| | |
|----------------------|--------|
| 4-Piston (GP300/310) | FRP408 |
|----------------------|--------|





MOTORCYCLE PADS



Pad Drawings



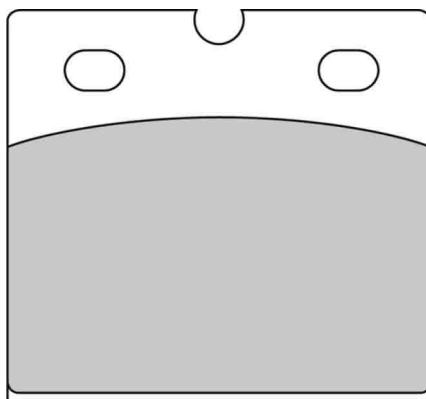
MOTORCYCLE PADS



| MATERIAL AVAILABILITY | | | | | | | |
|-----------------------|-----|----|----|----|-----|-------|------|
| P | PRP | AG | SG | ST | CP1 | CP211 | XRAC |
| ✓ | | | | | | | |

| CROSS REFERENCE | |
|-----------------|--------|
| EBC | FA027 |
| SBS | 505 |
| VESRAH | VD 904 |

| EQUIVALENT OE # | |
|-----------------|---------|
| OEM Norton | 06 6005 |



| ALSO AVAILABLE | | |
|----------------|--------|-------|
| SHAPE | TH. MM | NOTES |
| FDB148 | 7.6 | |

| MATERIAL AVAILABILITY | | | | | | | |
|-----------------------|-----|----|----|----|-----|-------|------|
| P | PRP | AG | SG | ST | CP1 | CP211 | XRAC |
| ✓ | | | | ✓ | ✓ | | |

| EQUIVALENT OE # | |
|-----------------|-----------------|
| OEM BMW | 34 21 7 657 025 |
| OEM BMW | 34 11 2 301 360 |
| OEM BMW | 34 11 1 454 720 |
| OEM BMW | 34 11 1 458 388 |
| OEM BMW | 34 21 7 690 262 |
| OEM Ducati | 0377 39766 |
| OEM Ducati | 0820 39666 |
| OEM Ducati | 0370 39760 |
| OEM Moto Guzzi | 61654630 |

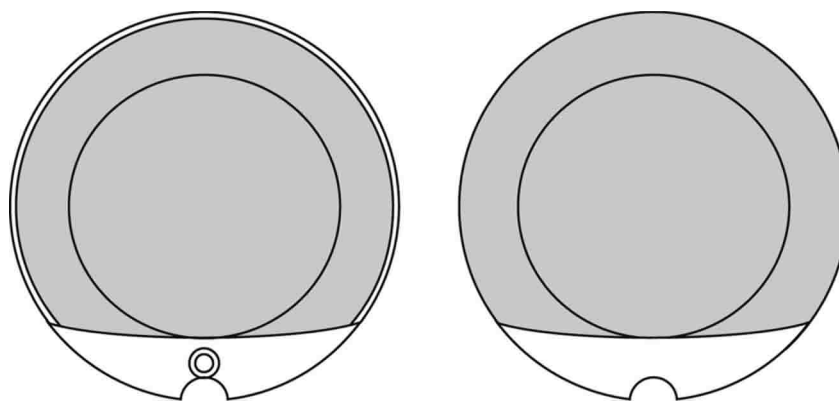
| CROSS REFERENCE | |
|-----------------|----------|
| BREMBO | 07BB1410 |
| CL BRAKES | 2332 |
| EBC | FA018 |
| GALFER | FD 013 |
| NEWFREN | .FD.0013 |
| SBS | 506 |
| VESRAH | VD 907 |

FDB119

51.9 x 51.9 x 12.8 mm / 51.9 x 51.9 x 19.7 mm

HONDA

FRONT



| MATERIAL AVAILABILITY | | | | | | | |
|-----------------------|-----|----|----|----|-----|-------|------|
| P | PRP | AG | SG | ST | CP1 | CP211 | XRAC |
| ✓ | | | | | | | |

| EQUIVALENT OE # | |
|-----------------|---------------|
| OEM Honda | 45105 390 305 |

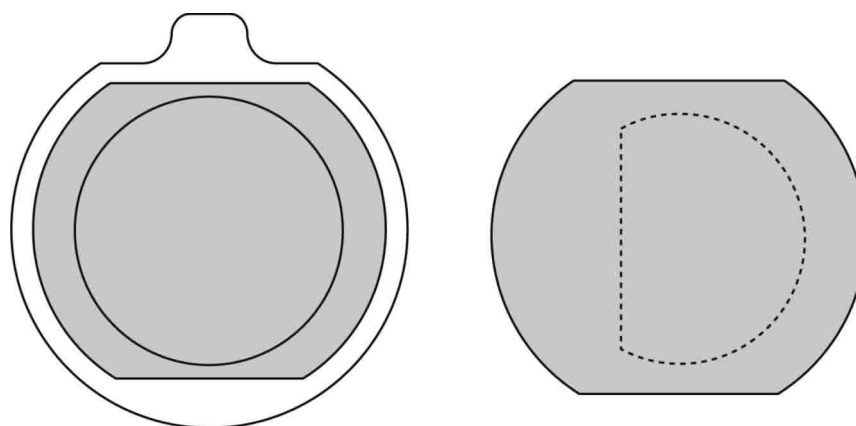
| CROSS REFERENCE | |
|-----------------|----------|
| BREMBO | 07HO0130 |
| EBC | FA013 |
| GALFER | FD 005 |
| LUCAS | MCB35 |
| NEWFREN | .FD.0005 |
| SBS | 501 |
| VESRAH | VD 102 |
| VESRAH | VD 106 |

FDB132

52.0 x 54.0 x 12.3 mm / 50.0 x 41.0 x 12.3 mm

KAWASAKI

FRONT / REAR



| MATERIAL AVAILABILITY | | | | | | | |
|-----------------------|-----|----|----|----|-----|-------|------|
| P | PRP | AG | SG | ST | CP1 | CP211 | XRAC |
| ✓ | | | | | | | |

| EQUIVALENT OE # | |
|-----------------|------------|
| OEM Kawasaki | 43082 1005 |
| OEM Kawasaki | 43082 1001 |

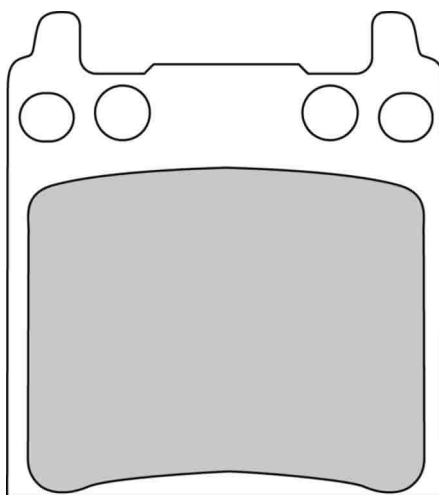
| CROSS REFERENCE | |
|-----------------|----------|
| BREMBO | 07KA0122 |
| EBC | FA033 |
| EBC | FA073 |
| GALFER | FD 014 |
| LUCAS | MCB79 |
| NEWFREN | .FD.0014 |
| SBS | 510 |
| VESRAH | VD 404 |
| VESRAH | VD 408 |
| VESRAH | VD 409 |
| VESRAH | VD 411 |

FDB134

58.0 x 63.0 x 10.4 mm

HONDA

REAR



| MATERIAL AVAILABILITY | | | | | | | |
|-----------------------|-----|----|----|----|-----|-------|------|
| P | PRP | AG | SG | ST | CP1 | CP211 | XRAC |
| ✓ | | | | | | | |

| EQUIVALENT OE # | |
|-----------------|---------------|
| OEM Honda | 43211 431 305 |

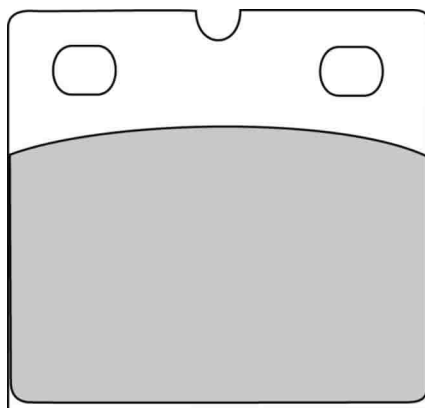
| CROSS REFERENCE | |
|-----------------|----------|
| BREMBO | 07HO0411 |
| EBC | FA032 |
| GALFER | FD 025 |
| LUCAS | MCB63LF |
| NEWFREN | .FD.0025 |
| SBS | 509 |
| VESRAH | VD 108 |
| VESRAH | VD 116 |

FDB148

56.0 x 55.0 x 7.6 mm

DUCATI, LAVERDA, MOTO GUZZI, MZ, TRIUMPH

FRONT / REAR



| ALSO AVAILABLE | | |
|----------------|--------|-------|
| SHAPE | TH. MM | NOTES |
| FDB108 | 9.0 | |

| MATERIAL AVAILABILITY | | | | | | | |
|-----------------------|-----|----|----|----|-----|-------|------|
| P | PRP | AG | SG | ST | CP1 | CP211 | XRAC |
| ✓ | | | | ✓ | | | |

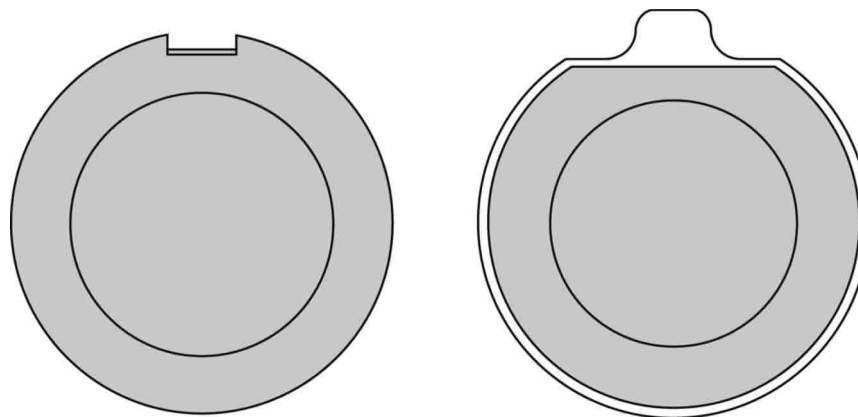
| CROSS REFERENCE | |
|-----------------|----------|
| BREMBO | 07BB1410 |
| CL BRAKES | 2332 |
| EBC | FA018 |
| GALFER | FD 013 |
| NEWFREN | .FD.0189 |
| SBS | 506 |
| VESRAH | VD 907 |

FDB150

50.0 x 53.0 x 12.4 mm / 50.0 x 50.0 x 10.5 mm

SUZUKI

FRONT



| MATERIAL AVAILABILITY | | | | | | | |
|-----------------------|-----|----|----|----|-----|-------|------|
| P | PRP | AG | SG | ST | CP1 | CP211 | XRAC |
| ✓ | | | | | | | |

| EQUIVALENT OE # | |
|-----------------|-------------|
| OEM Suzuki | 59302 45830 |

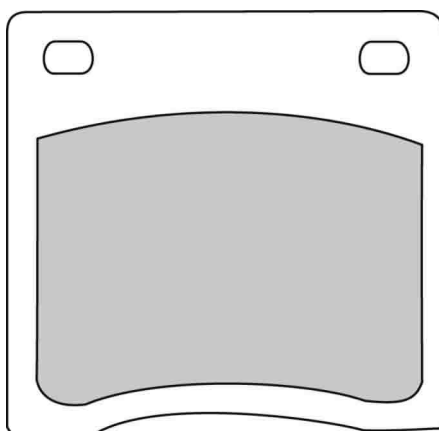
| CROSS REFERENCE | |
|-----------------|----------|
| BREMBO | 07SU0125 |
| EBC | FA035 |
| GALFER | FD 035 |
| LUCAS | MCB7 |
| NEWFREN | .FD.0035 |
| SBS | 511 |
| VESRAH | VD 305 |

FDB151

58.0 x 53.0 x 9.0 mm

KAWASAKI, SUZUKI

REAR



| MATERIAL AVAILABILITY | | | | | | | |
|-----------------------|-----|----|----|----|-----|-------|------|
| P | PRP | AG | SG | ST | CP1 | CP211 | XRAC |
| ✓ | ✓ | | | ✓ | | | |

| EQUIVALENT OE # | |
|-----------------|----------------|
| OEM Kawasaki | 43050 1288 |
| OEM Suzuki | 69101 45850XNA |

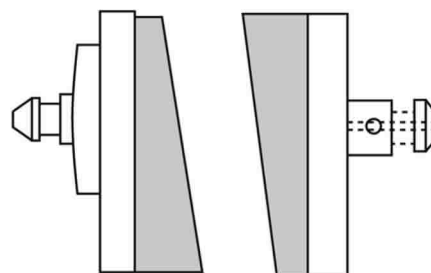
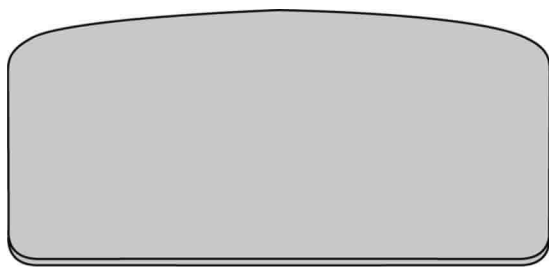
| CROSS REFERENCE | |
|-----------------|----------|
| BREMBO | 07SU1306 |
| CL BRAKES | 2280 |
| EBC | FA036 |
| GALFER | FD 078 |
| LUCAS | MCB591 |
| NEWFREN | .FD.0022 |
| SBS | 512 |
| VESRAH | VD 306 |

FDB155

71.6 x 34.0 x 13.5 mm

BMW

FRONT



| MATERIAL AVAILABILITY | | | | | | | |
|-----------------------|-----|----|----|----|-----|-------|------|
| P | PRP | AG | SG | ST | CP1 | CP211 | XRAC |
| ✓ | | | | | | | |

| EQUIVALENT OE # | |
|-----------------|-----------------|
| OEM BMW | 34 11 2 301 358 |

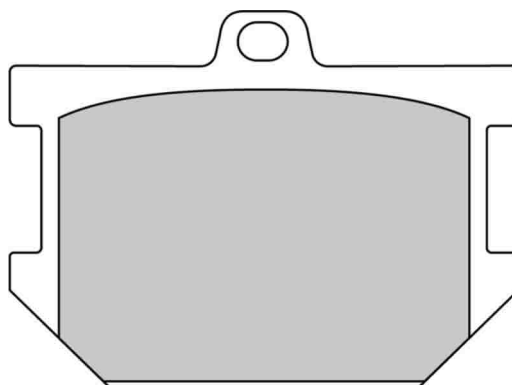
| CROSS REFERENCE | |
|-----------------|----------|
| BREMBO | 07GR5915 |
| EBC | FA022 |
| GALFER | FD 036 |
| LUCAS | MCB17 |
| NEWFREN | .FD.0036 |
| SBS | 520 |
| VESRAH | VD 910 |

FDB177

67.5 x 49.8 x 11.0 mm

YAMAHA

FRONT / REAR



| MATERIAL AVAILABILITY | | | | | | | |
|-----------------------|-----|----|----|----|-----|-------|------|
| P | PRP | AG | SG | ST | CP1 | CP211 | XRAC |
| ✓ | | | | | | | |

| EQUIVALENT OE # | |
|-----------------|--------------|
| OEM Yamaha | 1J3 2000 013 |

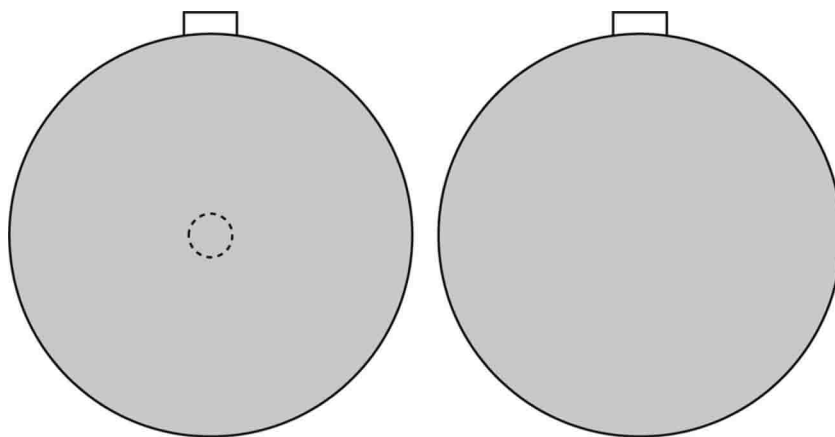
| CROSS REFERENCE | |
|-----------------|----------|
| BREMBO | 07YA0309 |
| CL BRAKES | 2847 |
| EBC | FA034 |
| GALFER | FD 017 |
| LUCAS | MCB68 |
| NEWFREN | .FD.0017 |
| SBS | 507 |
| VESRAH | VD 205 |

FDB178

53.2 x 49.8 x 12.2 mm / 53.5 x 50.0 x 11.7 mm

SUZUKI

FRONT



| MATERIAL AVAILABILITY | | | | | | | |
|-----------------------|-----|----|----|----|-----|-------|------|
| P | PRP | AG | SG | ST | CP1 | CP211 | XRAC |
| ✓ | | | | | | | |

| EQUIVALENT OE # | |
|-----------------|-------------|
| OEM Suzuki | 59300 47880 |

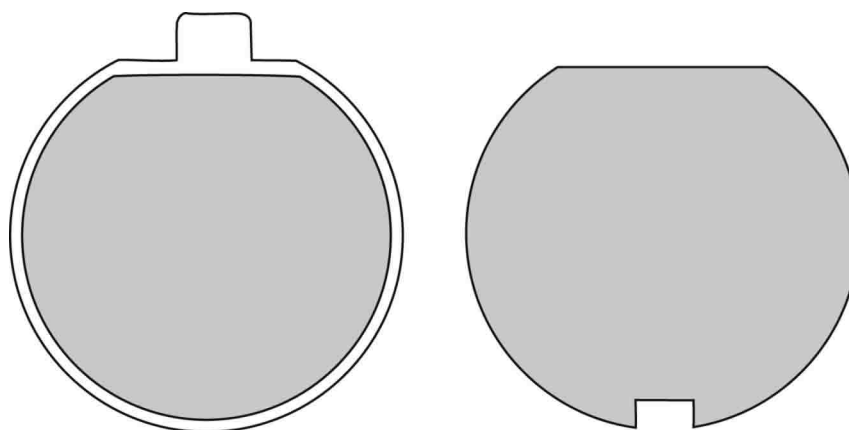
| CROSS REFERENCE | |
|-----------------|----------|
| BREMBO | 07SU0220 |
| EBC | FA038 |
| GALFER | FD 038 |
| LUCAS | MCB72 |
| NEWFREN | .FD.0038 |
| SBS | 515 |
| VESRAH | VD 307 |
| VESRAH | VD 308 |
| VESRAH | VD 310 |
| VESRAH | VD 315 |
| VESRAH | VD 316 |
| VESRAH | VD 320 |

FDB181

51.3 x 54.7 x 12.4 mm / 49.9 x 44.5 x 12.5 mm

KAWASAKI

REAR



| MATERIAL AVAILABILITY | | | | | | | |
|-----------------------|-----|----|----|----|-----|-------|------|
| P | PRP | AG | SG | ST | CP1 | CP211 | XRAC |
| ⚠ | | | | | | | |

| EQUIVALENT OE # | |
|-----------------|------------|
| OEM Kawasaki | 43050 5002 |

| CROSS REFERENCE | |
|-----------------|----------|
| BREMBO | 07KA0223 |
| EBC | FA037 |
| LUCAS | MCB94LF |
| SBS | 514 |
| VESRAH | VD 405 |
| VESRAH | VD 412 |

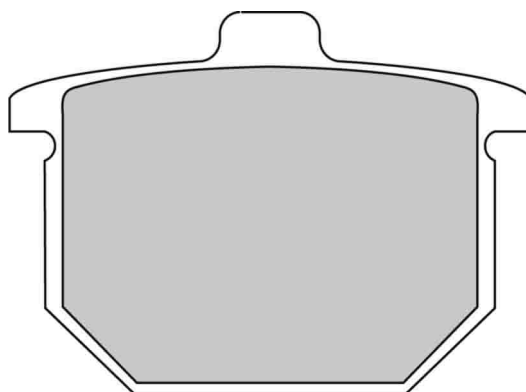
5006

FDB182

69.0 x 49.0 x 9.5 mm

HONDA

FRONT / REAR



| MATERIAL AVAILABILITY | | | | | | | |
|-----------------------|-----|----|----|----|-----|-------|------|
| P | PRP | AG | SG | ST | CP1 | CP211 | XRAC |
| ✓ | | | | | | | |

| EQUIVALENT OE # | |
|-----------------|---------------|
| OEM Honda | 45105 390 305 |

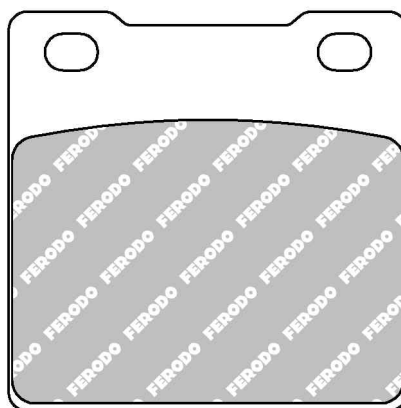
| CROSS REFERENCE | |
|-----------------|----------|
| BREMBO | 07HO0307 |
| CL BRAKES | 2814 |
| EBC | FA030 |
| GALFER | FD 016 |
| LUCAS | MCB54 |
| NEWFREN | .FD.0016 |
| SBS | 508 |
| SBS | 517 |
| VESRAH | VD 112 |

FDB183

52.7 x 53.1 x 9.7 mm

HONDA

FRONT



| MATERIAL AVAILABILITY | | | | | | | |
|-----------------------|-----|----|----|----|-----|-------|------|
| P | PRP | AG | SG | ST | CP1 | CP211 | XRAC |
| ✓ | | | | | | | |

| EQUIVALENT OE # | |
|-----------------|---------------|
| OEM Honda | 45105 MA5 305 |

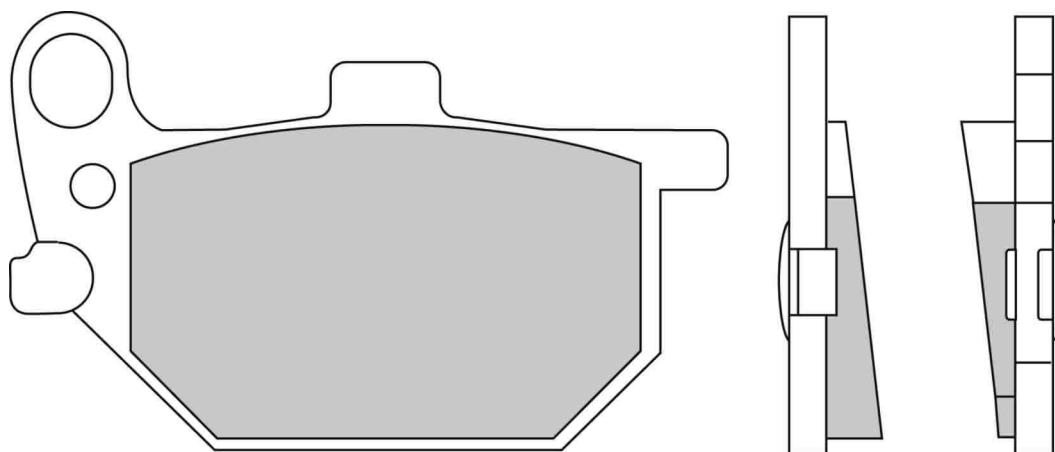
| CROSS REFERENCE | |
|-----------------|----------|
| BREMBO | 07HO0712 |
| CL BRAKES | 2282 |
| EBC | FA045 |
| GALFER | FD 045 |
| LUCAS | MCB55 |
| NEWFREN | .FD.0045 |
| SBS | 526 |
| VESRAH | VD 117 |

FDB184

95.0 x 57.1 x 12.0 mm

YAMAHA

FRONT / REAR



| MATERIAL AVAILABILITY | | | | | | | |
|-----------------------|-----|----|----|----|-----|-------|------|
| P | PRP | AG | SG | ST | CP1 | CP211 | XRAC |
| ✓ | | | | | | | |

| EQUIVALENT OE # | |
|-----------------|--------------|
| OEM Yamaha | 4W1 W0046 09 |
| OEM Yamaha | 2G2 W0045 00 |

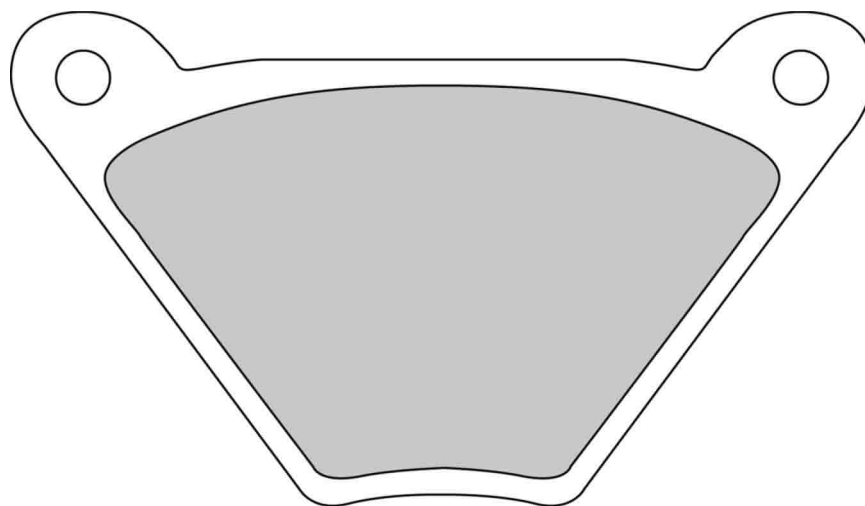
| CROSS REFERENCE | |
|-----------------|----------|
| BREMBO | 07YA0713 |
| EBC | FA041 |
| GALFER | FD 067 |
| LUCAS | MCB52 |
| NEWFREN | .FD.0065 |
| SBS | 528 |
| VESRAH | VD 215 |

FDB185

114.0 x 65.2 x 7.4 mm

HARLEY DAVIDSON

FRONT / REAR



| MATERIAL AVAILABILITY | | | | | | | |
|-----------------------|-----|----|----|----|-----|-------|------|
| P | PRP | AG | SG | ST | CP1 | CP211 | XRAC |
| ✓ | ✓ | | | | | | |

| EQUIVALENT OE # | |
|-----------------|----------|
| OEM Harley | 44005 78 |

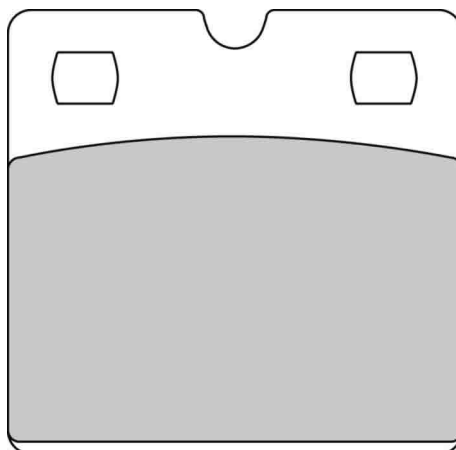
| CROSS REFERENCE | |
|-----------------|----------|
| BREMBO | 07HD0105 |
| CL BRAKES | 2599 |
| EBC | FA024/2 |
| GALFER | FD 019 |
| LUCAS | MCB97 |
| NEWFREN | .FD.0151 |
| SBS | 513 |
| VESRAH | VD 915 |

FDB204

60.0 x 59.0 x 9.0 mm

APRILIA, BENELLI, BMW, MOTO GUZZI

FRONT / REAR



| MATERIAL AVAILABILITY | | | | | | | |
|-----------------------|-----|----|----|----|-----|-------|------|
| P | PRP | AG | SG | ST | CP1 | CP211 | XRAC |
| ✓ | | | | | | | |

| EQUIVALENT OE # | |
|-----------------|-----------------|
| OEM BMW | 34 11 2 314 545 |
| OEM Moto Guzzi | 18654660 |

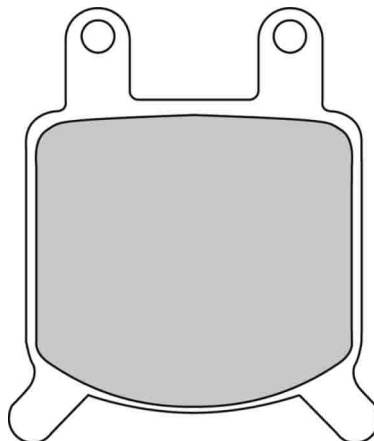
| CROSS REFERENCE | |
|-----------------|----------|
| BREMBO | 07BB2307 |
| CL BRAKES | 2840 |
| EBC | FA077 |
| GALFER | FD 044 |
| LUCAS | MCB533 |
| NEWFREN | .FD.0044 |
| SBS | 554 |
| VESRAH | VD 933 |

FDB205

49.0 x 58.5 x 7.0 mm

ASPES, BETA, GARELLI, GILERA, KREIDLER, MOTO MORINI, ZUNDAPP

FRONT / REAR

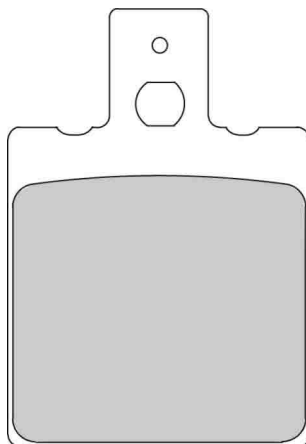


| MATERIAL AVAILABILITY | | | | | | | |
|-----------------------|-----|----|----|----|-----|-------|------|
| P | PRP | AG | SG | ST | CP1 | CP211 | XRAC |
| ✓ | | | | | | | |

| CROSS REFERENCE | |
|-----------------|----------|
| BREMBO | 07GR0204 |
| EBC | FA076 |
| GALFER | FD 028 |
| LUCAS | MCB536 |
| NEWFREN | .FD.0028 |
| SBS | 560 |
| VESRAH | VD 928 |

ACCOSSATO, ALFER, APRILIA, ATK (USA), BENELLI, BETA, BIMOTA, CAGIVA, CZ, DERBI, DUCATI, FANTIC, GARELLI, GILERA, HERCULES, HRD, HUSQVARNA, ITALJET, KEEWAY, KTM, LAVERDA, MAICO, MALANCA, MONTESA, MONTESA (HONDA), MOTO GUZZI, MOTO MORINI, MZ, NORTON, PUCH, SWM, TM, TORNAX, TRE SOLDI, YAMAHA, ZUNDAPP

FRONT / REAR



| MATERIAL AVAILABILITY | | | | | | | |
|-----------------------|-----|----|----|----|-----|-------|------|
| P | PRP | AG | SG | ST | CP1 | CP211 | XRAC |
| ✓ | | ✓ | ✗ | ✓ | ✓ | | |

| EQUIVALENT OE # | |
|-----------------|--------------|
| OEM Aprilia | 8213197 |
| OEM Aprilia | 8113651 |
| OEM Cagiva | 8000 68794 |
| OEM Cagiva | 8000 46147 |
| OEM Ducati | 61340281A |
| OEM Ducati | 61340541A |
| OEM Ducati | 61340311A |
| OEM Ducati | 61340071A |
| OEM Ducati | 61340081A |
| OEM Moto Guzzi | 276546100 |
| OEM Moto Guzzi | 31654665 |
| OEM Moto Guzzi | 19654601 |
| OEM Moto Guzzi | 36139666 |
| OEM Moto Guzzi | 27654610 |
| OEM Moto Guzzi | 19654600 |
| OEM MZ | 9021035000 |
| OEM Yamaha | 3SH F5811 20 |

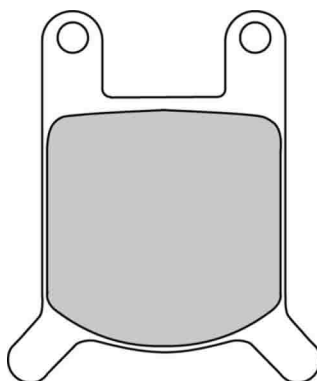
| CROSS REFERENCE | |
|-----------------|----------|
| BREMBO | 07BB01.. |
| CL BRAKES | 2249 |
| EBC | FA047 |
| GALFER | FD 012 |
| NEWFREN | .FD.0012 |
| SBS | 519 |
| SBS | 583 |
| VESRAH | VD 911 |

FDB213

41.4 x 48.5 x 5.6 mm

ATK (USA), BENELLI, BETA, CASAL, CIMATTI, FANTIC, GARELLI, HERCULES, HERCULES (SACHS), HOREX, MACAL, MALAGUTI, MALANCA, MOTO GUZZI, MOTRON, OSSA, PUCH, REAL, RIXE, ZUNDAPP

FRONT / REAR



| MATERIAL AVAILABILITY | | | | | | | |
|-----------------------|-----|----|----|----|-----|-------|------|
| P | PRP | AG | SG | ST | CP1 | CP211 | XRAC |
| ✓ | | | | | | | |

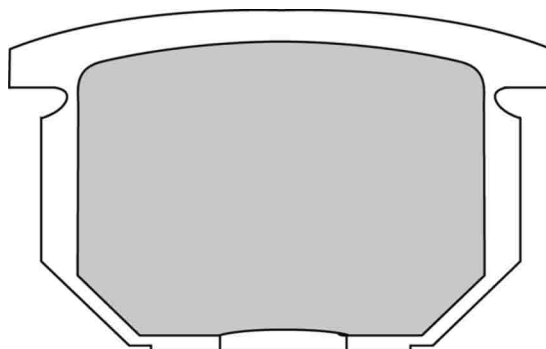
| CROSS REFERENCE | |
|-----------------|----------|
| BREMBO | 07GR0101 |
| EBC | FA050 |
| GALFER | FD 031 |
| LUCAS | MCB58 |
| NEWFREN | .FD.0031 |
| SBS | 532 |
| VESRAH | VD 912 |

FDB217

72.0 x 45.0 x 11.4 mm

SUZUKI

FRONT



| MATERIAL AVAILABILITY | | | | | | | |
|-----------------------|-----|----|----|----|-----|-------|------|
| P | PRP | AG | SG | ST | CP1 | CP211 | XRAC |
| ✓ | | | | | | | |

| EQUIVALENT OE # | |
|-----------------|-------------|
| OEM Suzuki | 59300 49850 |

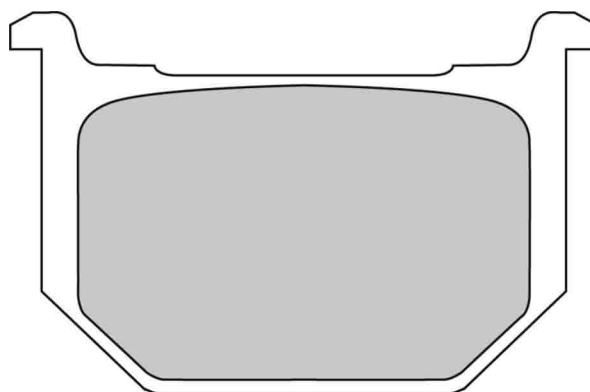
| CROSS REFERENCE | |
|-----------------|----------|
| BREMBO | 07SU0412 |
| EBC | FA065 |
| GALFER | FD 047 |
| LUCAS | MCB51 |
| NEWFREN | .FD.0047 |
| SBS | 534 |
| VESRAH | VD 324 |

FDB218

78.0 x 50.0 x 10.8 mm

SUZUKI

FRONT



| MATERIAL AVAILABILITY | | | | | | | |
|-----------------------|-----|----|----|----|-----|-------|------|
| P | PRP | AG | SG | ST | CP1 | CP211 | XRAC |
| ✓ | | | | ⚠ | | | |

| EQUIVALENT OE # | |
|-----------------|-------------|
| OEM Suzuki | 59330 38300 |
| OEM Suzuki | 59330 45260 |
| OEM Suzuki | 59300 38810 |

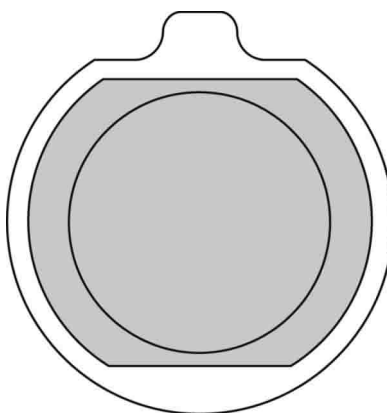
| CROSS REFERENCE | |
|-----------------|----------|
| BREMBO | 07SU0312 |
| CL BRAKES | 2694 |
| EBC | FA051 |
| GALFER | FD 046 |
| LUCAS | MCB59 |
| NEWFREN | .FD.0046 |
| SBS | 533 |
| VESRAH | VD 912 |

FDB220

51.0 x 55.0 x 12.2 mm

KAWASAKI

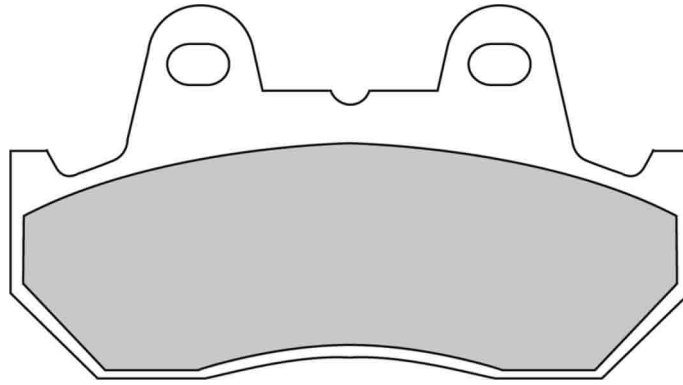
FRONT



| MATERIAL AVAILABILITY | | | | | | | |
|-----------------------|-----|----|----|----|-----|-------|------|
| P | PRP | AG | SG | ST | CP1 | CP211 | XRAC |
| ✓ | | | | ✓ | | | |

| EQUIVALENT OE # | |
|-----------------|------------|
| OEM Kawasaki | 43082 1002 |

| CROSS REFERENCE | |
|-----------------|----------|
| BREMBO | 07KA0414 |
| EBC | FA062 |
| LUCAS | MCB55 |
| NEWFREN | .FD.0055 |
| SBS | 530 |
| VESRAH | VD 423 |



| ALSO AVAILABLE | | |
|----------------|--------|-------|
| SHAPE | TH. MM | NOTES |
| FDB538 | 9.0 | |
| FDB665 | 11.0 | |

| MATERIAL AVAILABILITY | | | | | | | |
|-----------------------|-----|----|----|----|-----|-------|------|
| P | PRP | AG | SG | ST | CP1 | CP211 | XRAC |
| ✓ | | | | ✓ | | | |

| EQUIVALENT OE # | |
|-----------------|---------------|
| OEM Honda | 45105 MC7 004 |
| OEM Honda | 45105 MC7 024 |
| OEM Honda | 45105 MM9 781 |
| OEM Honda | 43105 MJ4 007 |
| OEM Honda | 43105 MJ4 305 |
| OEM Honda | 43105 MJ6 007 |
| OEM Honda | 43105 MJ6 004 |

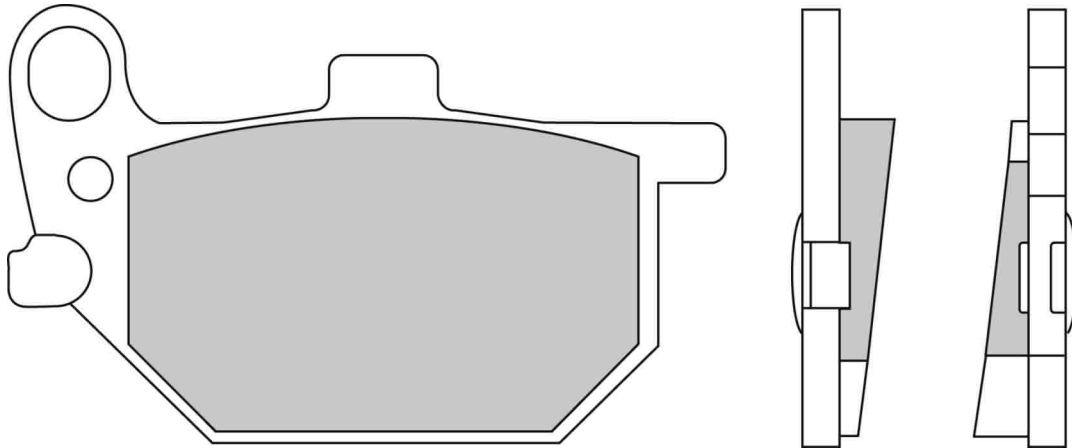
| CROSS REFERENCE | |
|-----------------|----------|
| BREMBO | 07HO1010 |
| CL BRAKES | 2382 |
| CL BRAKES | 3011 |
| EBC | FA069 |
| GALFER | FD 054 |
| LUCAS | MCB512 |
| NEWFREN | .FD.0054 |
| SBS | 542 |
| VESRAH | VD 123 |

FDB247

95.0 x 56.0 x 12.0 mm

YAMAHA

FRONT



| MATERIAL AVAILABILITY | | | | | | | |
|-----------------------|-----|----|----|----|-----|-------|------|
| P | PRP | AG | SG | ST | CP1 | CP211 | XRAC |
| ✓ | | | | | | | |

| EQUIVALENT OE # | |
|-----------------|--------------|
| OEM Yamaha | 4H7 W0045 10 |

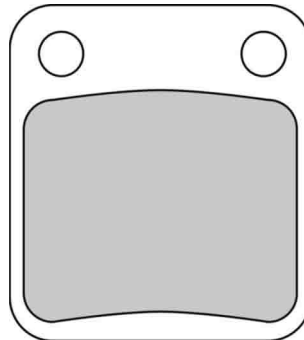
| CROSS REFERENCE | |
|-----------------|----------|
| BREMBO | 07YA0413 |
| EBC | FA061 |
| GALFER | FD 077 |
| LUCAS | MCB53 |
| NEWFREN | .FD.0066 |
| SBS | 545 |
| VESRAH | VD 216 |

FDB250

40.0 x 45.0 x 7.3 mm

CAGIVA, DAELIM, HONDA, HONDA 3 WHEELERS, HUSQVARNA, HYOSUNG ATV, KAWASAKI, KAWASAKI ATV, KEEWAY, MOTRON, PEUGEOT, PGO ATV, QUADZILLA, SINNIS, SUZUKI, SUZUKI ATV, SYM ATV, UM ATV, YAMAHA ATV

FRONT / REAR



| MATERIAL AVAILABILITY | | | | | | | |
|-----------------------|-----|----|----|----|-----|-------|------|
| P | PRP | AG | SG | ST | CP1 | CP211 | XRAC |
| ✓ | | ✓ | ✓ | | | | |

| EQUIVALENT OE # | |
|-----------------|---------------|
| OEM Honda | 06455 GBF J01 |
| OEM Honda | 45105 GC4 603 |
| OEM Honda | 45112 GC4 601 |
| OEM Honda | 45105 GBF 405 |
| OEM Kawasaki | 43082 1212 |

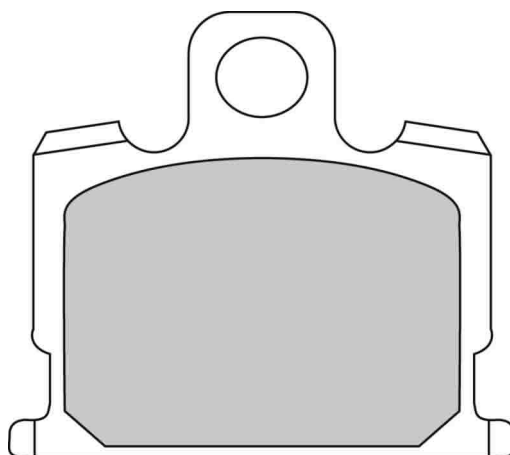
| CROSS REFERENCE | |
|-----------------|----------|
| BREMBO | 07HO0906 |
| CL BRAKES | 2408 |
| EBC | FA054 |
| GALFER | FD 095 |
| NEWFREN | .FD.0080 |
| SBS | 536 |
| VESRAH | VD 120 |

FDB277

65.1 x 59.8 x 10.4 mm

YAMAHA

FRONT



| MATERIAL AVAILABILITY | | | | | | | |
|-----------------------|-----|----|----|----|-----|-------|------|
| P | PRP | AG | SG | ST | CP1 | CP211 | XRAC |
| ✓ | | | | | | | |

| EQUIVALENT OE # | |
|-----------------|--------------|
| OEM Yamaha | 4W1 W0045 00 |
| OEM Yamaha | 4L0 W0045 00 |
| OEM Yamaha | 23W W0045 00 |
| OEM Yamaha | 4W1W004510 |

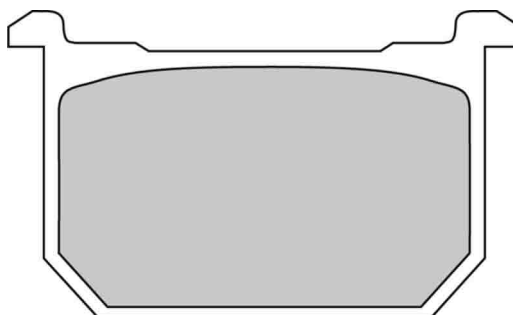
| CROSS REFERENCE | |
|-----------------|----------|
| BREMBO | 07YA0809 |
| CL BRAKES | 2807 |
| EBC | FA070 |
| GALFER | FD 051 |
| LUCAS | MCB521 |
| NEWFREN | .FD.0051 |
| SBS | 547 |
| VESRAH | VD 228 |

FDB298

68.0 x 41.0 x 9.6 mm

KAWASAKI

FRONT / REAR



| MATERIAL AVAILABILITY | | | | | | | |
|-----------------------|-----|----|----|----|-----|-------|------|
| P | PRP | AG | SG | ST | CP1 | CP211 | XRAC |
| ✓ | | | | | | | |

| EQUIVALENT OE # | |
|-----------------|------------|
| OEM Kawasaki | 43082 1025 |
| OEM Kawasaki | 43082 1008 |

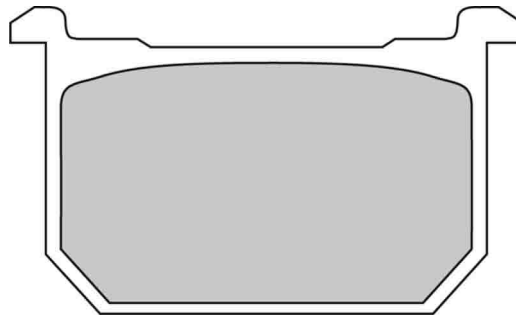
| CROSS REFERENCE | |
|-----------------|----------|
| BREMBO | 07KA0608 |
| EBC | FA068 |
| LUCAS | MCB516 |
| NEWFREN | .FD.0053 |
| SBS | 540 |
| VESRAH | VD 420 |
| VESRAH | VD 421 |

FDB299

68.0 x 41.0 x 8.2 mm

KAWASAKI

FRONT / REAR



| MATERIAL AVAILABILITY | | | | | | | |
|-----------------------|-----|----|----|----|-----|-------|------|
| P | PRP | AG | SG | ST | CP1 | CP211 | XRAC |
| ✓ | | | | | | | |

| EQUIVALENT OE # | |
|-----------------|------------|
| OEM Kawasaki | 43082 1007 |

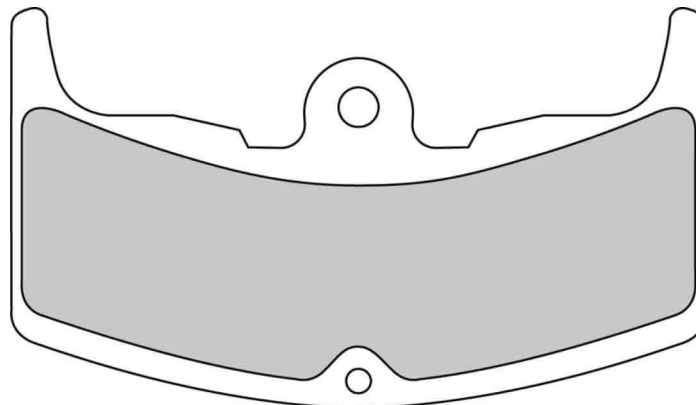
| CROSS REFERENCE | |
|-----------------|----------|
| BREMBO | 07KA0506 |
| EBC | FA066 |
| EBC | FA068 |
| GALFER | FD 052 |
| LUCAS | MCB515 |
| NEWFREN | .FD.0052 |
| SBS | 539 |
| VESRAH | VD 420 |
| VESRAH | VD 421 |

FDB310

92.0 x 53.0 x 8.4 mm

HONDA

FRONT / REAR



| MATERIAL AVAILABILITY | | | | | | | |
|-----------------------|-----|----|----|----|-----|-------|------|
| P | PRP | AG | SG | ST | CP1 | CP211 | XRAC |
| ✓ | | | | | | | |

| EQUIVALENT OE # | |
|-----------------|---------------|
| OEM Honda | 45105 MA6 007 |
| OEM Honda | 45105 MA6 004 |

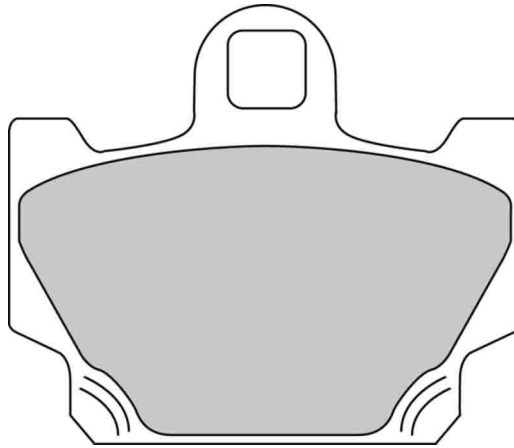
| CROSS REFERENCE | |
|-----------------|---------------|
| BREMBO | 07HO1406 |
| BREMBO | 07HO1708 |
| EBC | FA080/2 |
| GALFER | FD 060 |
| NEWFREN | .FD.0063 |
| SBS | 552 |
| SBS | 571 |
| VESRAH | VD 129 /129/2 |

FDB311

67.8 x 58.7 x 8.4 mm

YAMAHA

FRONT



| MATERIAL AVAILABILITY | | | | | | | |
|-----------------------|-----|----|----|----|-----|-------|------|
| P | PRP | AG | SG | ST | CP1 | CP211 | XRAC |
| ✓ | | | | | | | |

| EQUIVALENT OE # | |
|-----------------|--------------|
| OEM Yamaha | 2UJ W0045 01 |
| OEM Yamaha | 29LW004510 |

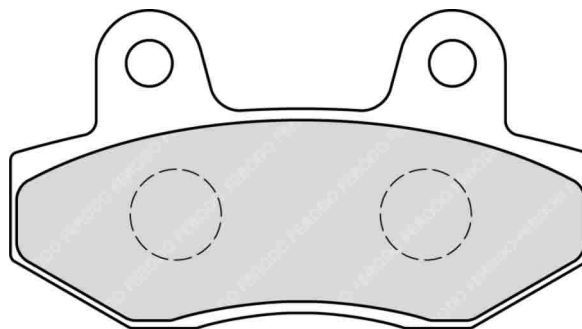
| CROSS REFERENCE | |
|-----------------|----------|
| BREMBO | 07YA1011 |
| CL BRAKES | 2802 |
| EBC | FA081 |
| GALFER | FD 056 |
| LUCAS | MCB524 |
| NEWFREN | .FD.0062 |
| SBS | 550 |
| VESRAH | VD 235 |

FDB312

77.0 x 42.0 x 6.9 mm

BETA, CFMOTO, DAELIM, HONDA, HYOSUNG, ITALJET, JONWAY, KEEWAY, KYMCO, LAMBRETTA, PEUGEOT, SINNIS

FRONT / REAR



| MATERIAL AVAILABILITY | | | | | | | |
|-----------------------|-----|----|----|----|-----|-------|------|
| P | PRP | AG | SG | ST | CP1 | CP211 | XRAC |
| ✓ | | | | ✓ | | | |

| EQUIVALENT OE # | |
|-----------------|---------------|
| OEM Honda | 45105 KR3 014 |

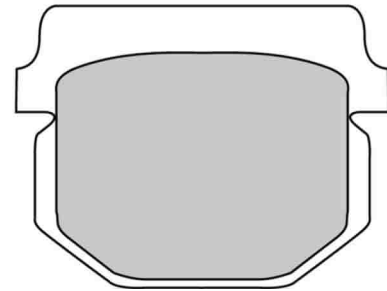
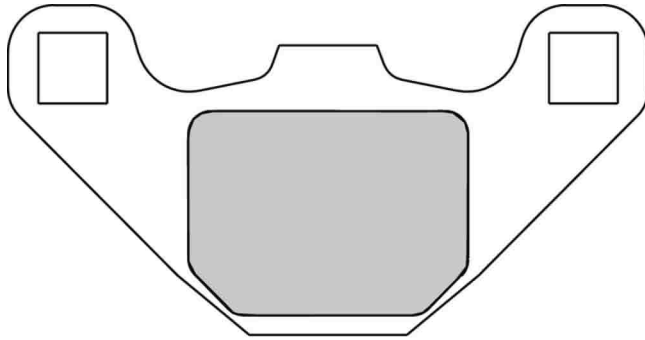
| CROSS REFERENCE | |
|-----------------|----------|
| BREMBO | 07HO1304 |
| CL BRAKES | 2621 |
| EBC | FA086 |
| GALFER | FD 073 |
| NEWFREN | .FD.0075 |
| SBS | 551 |
| SBS | 814 |
| VESRAH | VD 131 |

FDB313

85.0 x 43.0 x 6.9 mm / 48.0 x 37.0 x 9.1 mm

ADLY, ADLY ATV, APRILIA, BOMBARDIER ATV, CAN AM ATV, CPI, DINLI ATV, E-TON ATV, HONDA, HYOSUNG, KAWASAKI, KAWASAKI 3 WHEELERS, KAWASAKI ATV, KEEWAY, KSR MOTO BY GENERIC, MALAGUTI, PEUGEOT, PGO, PGO ATV, PIAGGIO, POLARIS ATV, QUADZILLA, SUZUKI, TGB, TM, UM ATV, YAMAHA ATV

FRONT / REAR



| MATERIAL AVAILABILITY | | | | | | | |
|-----------------------|-----|----|----|----|-----|-------|------|
| P | PRP | AG | SG | ST | CP1 | CP211 | XRAC |
| ✓ | | ✓ | ✓ | | | | |

| EQUIVALENT OE # | |
|-----------------|-------------|
| OEM Kawasaki | 43082 1065 |
| OEM Kawasaki | 43082 1229 |
| OEM Piaggio | I497417 |
| OEM Suzuki | 59300 03860 |
| OEM Suzuki | 69100 02822 |
| OEM Suzuki | 69100 02821 |

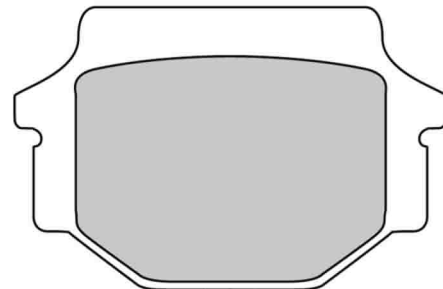
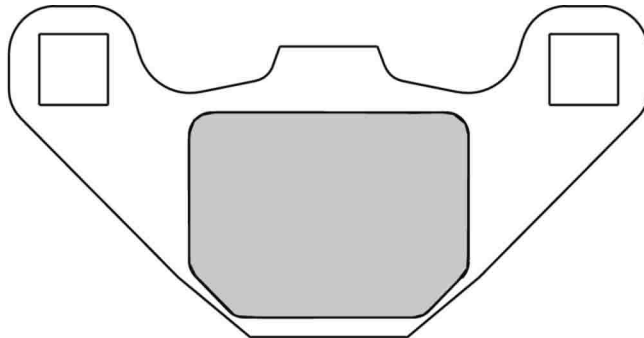
| CROSS REFERENCE | |
|-----------------|----------|
| BREMBO | 07HO1118 |
| BREMBO | 07KA0717 |
| CL BRAKES | 2469 |
| CL BRAKES | 3022 |
| CL BRAKES | 3023 |
| EBC | FA083 |
| GALFER | FD 094 |
| NEWFREN | .FD.0085 |
| SBS | 544 |
| VESRAH | VD 342 |

FDB314

85.0 x 43.0 x 7.7 mm / 56.0 x 37.0 x 10.0 mm

ALFER, APRILIA, BUELL, GASGAS, HUSABERG, HUSQVARNA, KAWASAKI, KAWASAKI 3 WHEELERS, KAWASAKI ATV, KTM, KYMCO, QUADZILLA, SUZUKI, SYM, TM, YAMAHA

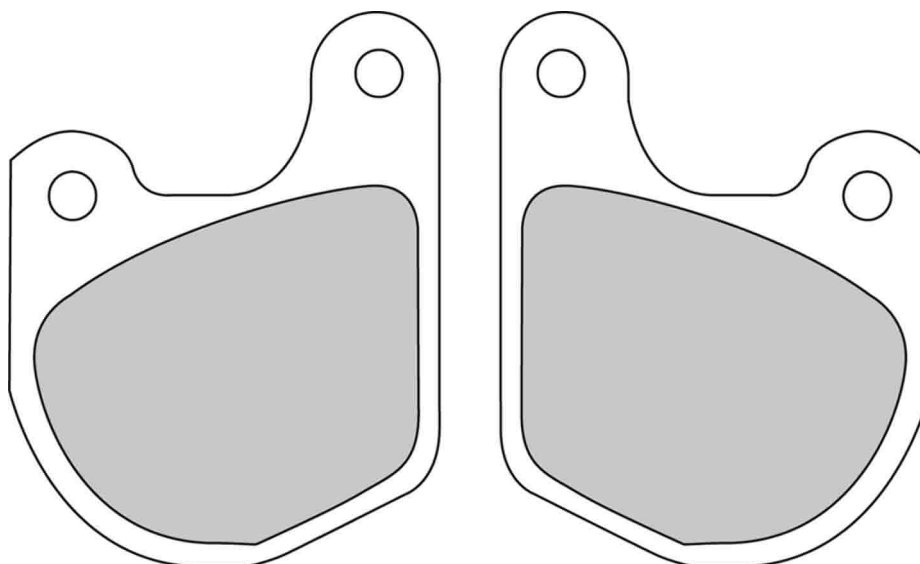
FRONT / REAR



| MATERIAL AVAILABILITY | | | | | | | |
|-----------------------|-----|----|----|----|-----|-------|------|
| P | PRP | AG | SG | ST | CP1 | CP211 | XRAC |
| ✓ | | | ✓ | ✓ | | | |

| EQUIVALENT OE # | |
|-----------------|------------|
| OEM Kawasaki | 43082 1163 |
| OEM Kawasaki | 43050 1064 |
| OEM Kawasaki | 43082 1116 |
| OEM Kawasaki | 43082 1096 |
| OEM Kawasaki | 43082 1209 |

| CROSS REFERENCE | |
|-----------------|----------|
| BREMBO | 07KS0432 |
| CL BRAKES | 2306 |
| EBC | FA067 |
| EBC | FA251 |
| GALFER | FD 075 |
| LUCAS | MCB523 |
| NEWFREN | .FD.0073 |
| SBS | 546 |
| SBS | 586 |
| SBS | 692 |
| VESRAH | VD 425 |



| MATERIAL AVAILABILITY | | | | | | | |
|-----------------------|-----|----|----|----|-----|-------|------|
| P | PRP | AG | SG | ST | CP1 | CP211 | XRAC |
| ✓ | ✓ | | | | | | |

| EQUIVALENT OE # | |
|-----------------|----------|
| OEM Harley | 44032 79 |

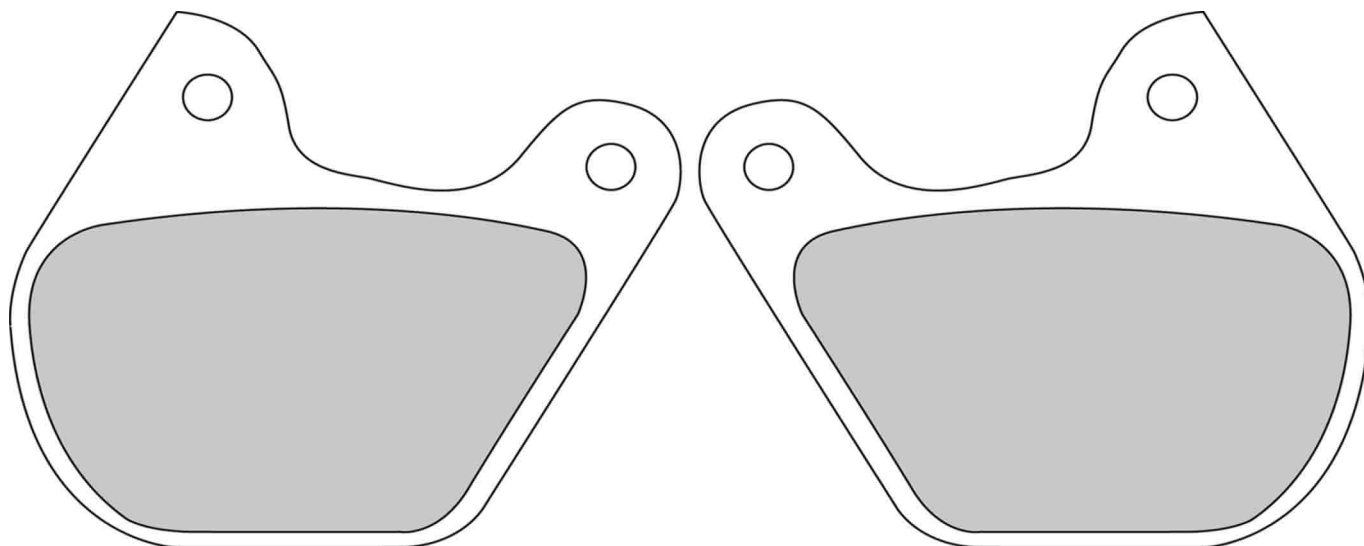
| CROSS REFERENCE | |
|-----------------|----------|
| BREMBO | 07HD0202 |
| CL BRAKES | 2700 |
| EBC | FA071 |
| GALFER | FD 058 |
| NEWFREN | .FD.0153 |
| SBS | 537 |
| VESRAH | VD 908 |

FDB334

71.0 x 89.0 x 6.5 mm

HARLEY DAVIDSON

FRONT / REAR



| MATERIAL AVAILABILITY | | | | | | | |
|-----------------------|-----|----|----|----|-----|-------|------|
| P | PRP | AG | SG | ST | CP1 | CP211 | XRAC |
| ✓ | ✗ | | | | | | |

| EQUIVALENT OE # | |
|-----------------|----------|
| OEM Harley | 43395 80 |

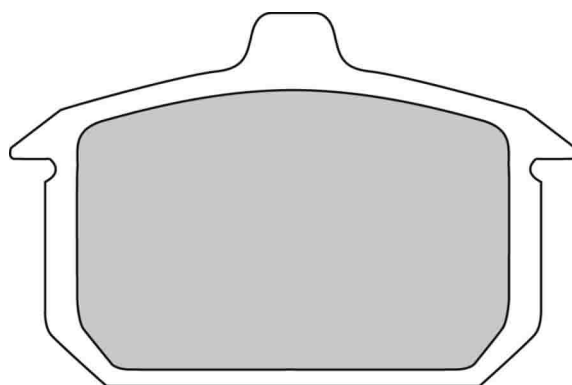
| CROSS REFERENCE | |
|-----------------|----------|
| BREMBO | 07HD0303 |
| CL BRAKES | 2718 |
| EBC | FA072 |
| GALFER | FD 059 |
| LUCAS | MCB518LF |
| NEWFREN | .FD.0154 |
| SBS | 543 |
| VESRAH | VD 909 |

FDB335

75.0 x 49.0 x 11.9 mm

HARLEY DAVIDSON

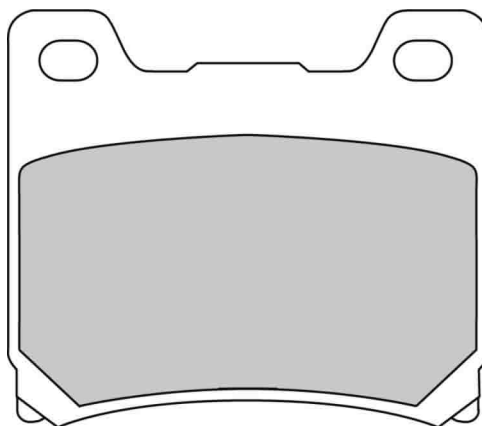
REAR



| MATERIAL AVAILABILITY | | | | | | | |
|-----------------------|-----|----|----|----|-----|-------|------|
| P | PRP | AG | SG | ST | CP1 | CP211 | XRAC |
| ✓ | ✓ | | | | | | |

| EQUIVALENT OE # | |
|-----------------|----------|
| OEM Harley | 44209 82 |

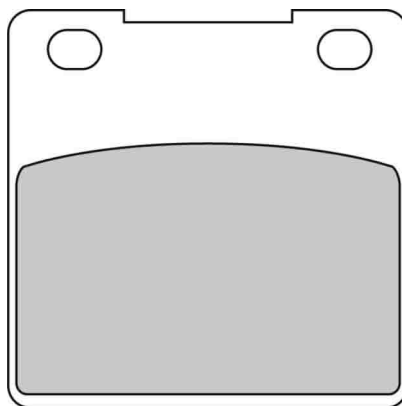
| CROSS REFERENCE | |
|-----------------|----------|
| BREMBO | 07HD0413 |
| CL BRAKES | 2701 |
| EBC | FA078 |
| GALFER | FD 064 |
| LUCAS | MCB527LF |
| NEWFREN | .FD.0155 |
| SBS | 549 |
| VESRAH | VD 918 |



| MATERIAL AVAILABILITY | | | | | | | |
|-----------------------|-----|----|----|----|-----|-------|------|
| P | PRP | AG | SG | ST | CP1 | CP211 | XRAC |
| ✓ | | | | ✓ | | | |

| EQUIVALENT OE # | |
|-----------------|--------------|
| OEM Yamaha | 26H W0045 01 |
| OEM Yamaha | 4SV W0045 50 |
| OEM Yamaha | 31A W0046 00 |
| OEM Yamaha | 1FK W0046 02 |
| OEM Yamaha | 29L W0046 00 |
| OEM Yamaha | 29L W0046 01 |
| OEM Yamaha | 1FK W0046 01 |
| OEM Yamaha | 3XF W0045 50 |
| OEM Yamaha | 4FM W0046 00 |
| OEM Yamaha | 4XV W0046 00 |

| CROSS REFERENCE | |
|-----------------|----------|
| BREMBO | 07YA1107 |
| CL BRAKES | 2283 |
| EBC | FA088 |
| GALFER | FD 057 |
| LUCAS | MCB53 |
| NEWFREN | .FD.0068 |
| SBS | 555 |
| VESRAH | VD 236 |



| MATERIAL AVAILABILITY | | | | | | | |
|-----------------------|-----|----|----|----|-----|-------|------|
| P | PRP | AG | SG | ST | CP1 | CP211 | XRAC |
| ✓ | | | | ✓ | | | |

| CROSS REFERENCE | |
|-----------------|----------|
| BREMBO | 07KS0507 |
| CL BRAKES | 2282 |
| EBC | FA063 |
| EBC | FA161 |
| GALFER | FD 111 |
| LUCAS | MCB531 |
| NEWFREN | .FD.0134 |
| SBS | 556 |
| VESRAH | VD 327 |
| VESRAH | VD 416 |

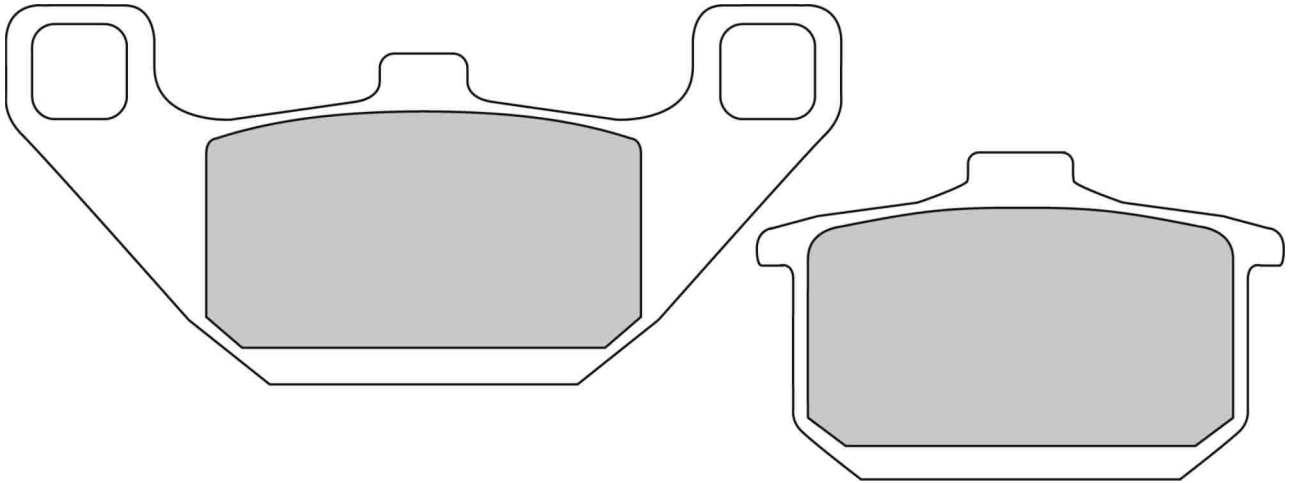
| EQUIVALENT OE # | |
|-----------------|-------------|
| OEM Kawasaki | 43082 1182 |
| OEM Kawasaki | 43082 1180 |
| OEM Kawasaki | 43082 1098 |
| OEM Kawasaki | 43082 1103 |
| OEM Kawasaki | 43082 1257 |
| OEM Kawasaki | 43082 1200 |
| OEM Suzuki | 69130 45C00 |
| OEM Suzuki | 69130 48B00 |
| OEM Suzuki | 69101 05850 |
| OEM Suzuki | 69100 05890 |
| OEM Suzuki | 69100 05870 |
| OEM Suzuki | 69100 05860 |
| OEM Suzuki | 69100 05850 |
| OEM Suzuki | 69100 05830 |
| OEM Suzuki | 69100 21820 |
| OEM Suzuki | 69100 20810 |
| OEM Suzuki | 69130 34C00 |
| OEM Suzuki | 69130 21E00 |
| OEM Suzuki | 69101 05820 |
| OEM Suzuki | 69100 34860 |

FDB339

111.0 x 51.0 x 9.4 mm / 68.0 x 43.0 x 9.8 mm

HYOSUNG, KAWASAKI

FRONT / REAR



| MATERIAL AVAILABILITY | | | | | | | |
|-----------------------|-----|----|----|----|-----|-------|------|
| P | PRP | AG | SG | ST | CP1 | CP211 | XRAC |
| ✓ | | | | ✓ | | | |

| EQUIVALENT OE # | |
|-----------------|------------|
| OEM Kawasaki | 43082 1167 |
| OEM Kawasaki | 43082 1080 |
| OEM Kawasaki | 43082 1030 |
| OEM Kawasaki | 43082 1062 |
| OEM Kawasaki | 43082 1194 |

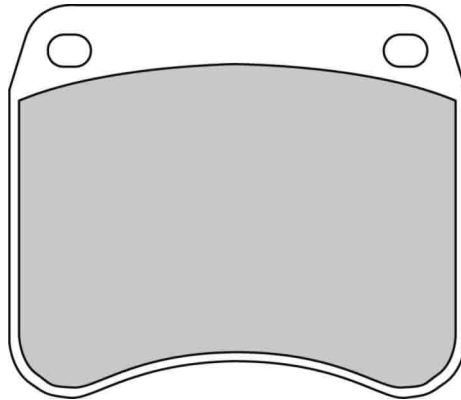
| CROSS REFERENCE | |
|-----------------|----------|
| BREMBO | 07KA0808 |
| CL BRAKES | 2285 |
| EBC | FA085 |
| GALFER | FD 062 |
| LUCAS | MCB532 |
| NEWFREN | .FD.0072 |
| SBS | 557 |
| VESRAH | VD 426 |

FDB342

59.5 x 51.5 x 10.2 mm

DUCATI, TRIUMPH

FRONT / REAR



| MATERIAL AVAILABILITY | | | | | | | |
|-----------------------|-----|----|----|----|-----|-------|------|
| P | PRP | AG | SG | ST | CP1 | CP211 | XRAC |
| ✓ | | | | ⚠ | ✓ | | |

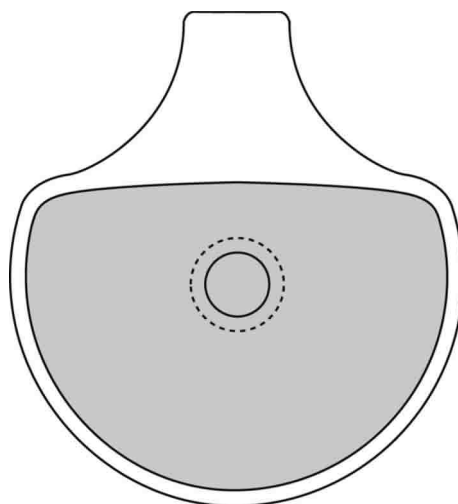
| CROSS REFERENCE | |
|-----------------|----------|
| BREMBO | 07GR6610 |
| EBC | FA016 |
| GALFER | FD 008 |
| LUCAS | MCB99 |
| NEWFREN | .FD.0008 |
| SBS | 523 |
| VESRAH | VD 906 |

FDB352

60.0 x 63.0 x 13.0 mm

HARLEY DAVIDSON, PGO

FRONT



| MATERIAL AVAILABILITY | | | | | | | |
|-----------------------|-----|----|----|----|-----|-------|------|
| P | PRP | AG | SG | ST | CP1 | CP211 | XRAC |
| ✓ | ✓ | | | ✓ | | | |

| EQUIVALENT OE # | |
|-----------------|------------|
| OEM Harley | 4406383 |
| OEM Harley | 44063 83A |
| OEM Harley | 44063 83B |
| OEM Harley | 440 63 83C |

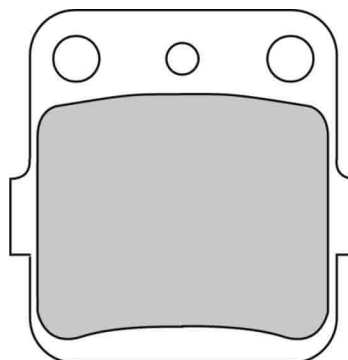
| CROSS REFERENCE | |
|-----------------|----------|
| BREMBO | 07HD0614 |
| CL BRAKES | 2699 |
| EBC | FA094 |
| GALFER | FD 124 |
| LUCAS | MCB548 |
| NEWFREN | .FD.0157 |
| SBS | 579 |
| VESRAH | VD 919 |

FDB381

46.0 x 45.0 x 7.3 mm

ARCTIC CAT ATV, HONDA 3 WHEELERS, HONDA ATV, KAWASAKI, KAWASAKI 3 WHEELERS, KAWASAKI ATV, KYMCO ATV, SUZUKI, SUZUKI ATV, YAMAHA ATV

FRONT / REAR



| MATERIAL AVAILABILITY | | | | | | | |
|-----------------------|-----|----|----|----|-----|-------|------|
| P | PRP | AG | SG | ST | CP1 | CP211 | XRAC |
| ✓ | | | ✓ | | | | |

| EQUIVALENT OE # | |
|-----------------|-------------|
| OEM Kawasaki | K43082 1241 |
| OEM Kawasaki | 43082 1066 |
| OEM Kawasaki | 43082 1241 |
| OEM Kawasaki | 43082 0043 |
| OEM Kawasaki | 43082 1205 |
| OEM Kawasaki | 43082 1082 |

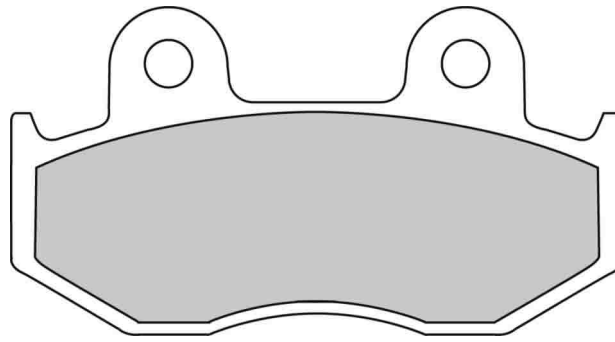
| CROSS REFERENCE | |
|-----------------|----------|
| BRAKING | 686 |
| BREMBO | 07HO2002 |
| CL BRAKES | 2328 |
| EBC | FA084 |
| GALFER | FD 076 |
| NEWFREN | .FD.0078 |
| SBS | 562 |
| SBS | 592 |
| VESRAH | VD 128 |

FDB382

81.0 x 42.0 x 7.3 mm

HONDA, HONDA 3 WHEELERS, HONDA ATV

FRONT / REAR



| ALSO AVAILABLE | | |
|----------------|--------|-------|
| SHAPE | TH. MM | NOTES |
| FDB2086 | 8.3 | |
| FDB2119 | 9.0 | |

| MATERIAL AVAILABILITY | | | | | | | |
|-----------------------|-----|----|----|----|-----|-------|------|
| P | PRP | AG | SG | ST | CP1 | CP211 | XRAC |
| ✓ | | | ✓ | | | | |

| EQUIVALENT OE # | |
|-----------------|---------------|
| OEM Honda | 45105 KA3 731 |

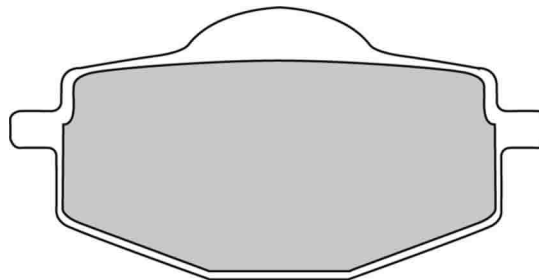
| CROSS REFERENCE | |
|-----------------|---------------|
| BREMBO | 07HO1505 |
| CL BRAKES | 2451 |
| CL BRAKES | 3019 |
| EBC | FA323/2 |
| EBC | SFA323/2 |
| GALFER | FD 063 |
| LUCAS | MCB534 |
| NEWFREN | .FD.0067 |
| SBS | 558 |
| VESRAH | VD 134 /134/2 |

FDB383

71.0 x 36.0 x 9.4 mm

ADLY, BETA, CFMOTO, GILERA, ITALJET, LINHAI, MALAGUTI, MBK, SACHS, YAMAHA, YAMAHA 3 WHEELERS, YAMAHA ATV

FRONT / REAR



| ALSO AVAILABLE | | |
|----------------|--------|-------|
| SHAPE | TH. MM | NOTES |
| FDB475 | 8.0 | |

| MATERIAL AVAILABILITY | | | | | | | |
|-----------------------|-----|----|----|----|-----|-------|------|
| P | PRP | AG | SG | ST | CP1 | CP211 | XRAC |
| ✓ | | ✓ | ✓ | | | | |

| EQUIVALENT OE # | |
|-----------------|--------------|
| OEM Yamaha | 3BN W0045 01 |
| OEM Yamaha | 4S5 W0045 00 |
| OEM Yamaha | 34X W0046 02 |
| OEM Yamaha | 34X W0046 01 |
| OEM Yamaha | 3XP W0046 00 |

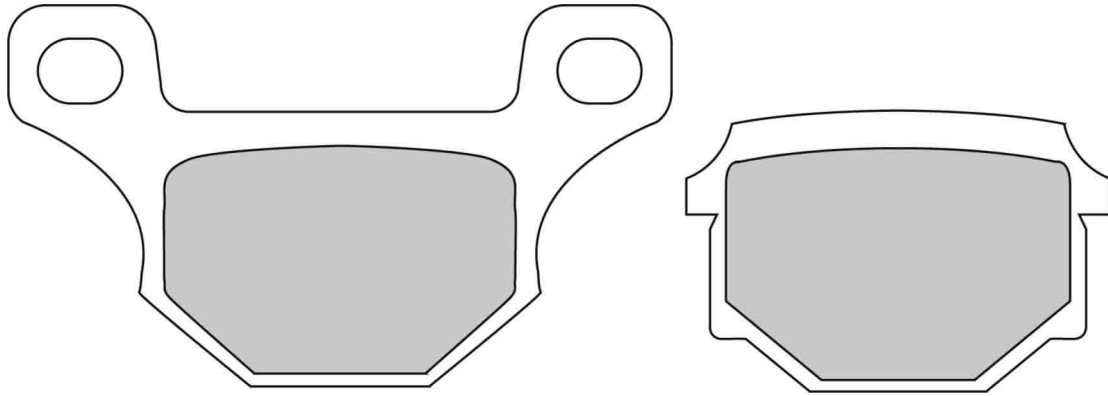
| CROSS REFERENCE | |
|-----------------|----------|
| BREMBO | 07YA1407 |
| CL BRAKES | 2284 |
| CL BRAKES | 3008 |
| EBC | FA101 |
| GALFER | FD 079 |
| LUCAS | MCB539 |
| NEWFREN | .FD.0124 |
| SBS | 575 |
| VESRAH | VD 239 |

FDB384

88.1 x 49.1 x 7.5 mm / 56.1 x 36.1 x 10.0 mm

AJP, APRILIA, DERBI, KEEWAY, PEUGEOT, RIEJU, SHERCO, SUZUKI

FRONT / REAR



| MATERIAL AVAILABILITY | | | | | | | |
|-----------------------|-----|----|----|----|-----|-------|------|
| P | PRP | AG | SG | ST | CP1 | CP211 | XRAC |
| ✓ | | | | | | | |

| EQUIVALENT OE # | |
|-----------------|-------------|
| OEM Suzuki | 59300 29820 |

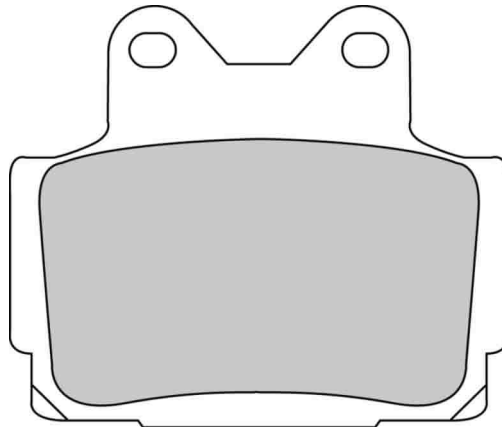
| CROSS REFERENCE | |
|-----------------|----------|
| EBC | FA093 |
| GALFER | FD 252 |
| LUCAS | MCB523 |
| NEWFREN | .FD.0077 |
| SBS | 585 |
| VESRAH | VD 346 |

FDB386

66.0 x 56.0 x 8.8 mm

YAMAHA

FRONT / REAR



| MATERIAL AVAILABILITY | | | | | | | |
|-----------------------|-----|----|----|----|-----|-------|------|
| P | PRP | AG | SG | ST | CP1 | CP211 | XRAC |
| ✓ | | | | ✓ | | | |

| EQUIVALENT OE # | |
|-----------------|--------------|
| OEM Yamaha | 51L W0046 02 |
| OEM Yamaha | 3TJ W0046 00 |
| OEM Yamaha | 51L W0045 02 |

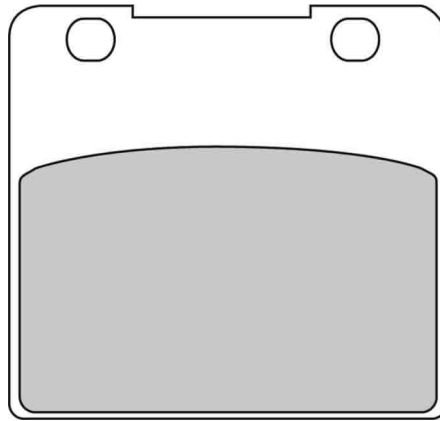
| CROSS REFERENCE | |
|-----------------|----------|
| BREMBO | 07YA1207 |
| CL BRAKES | 2301 |
| EBC | FA104 |
| GALFER | FD 069 |
| LUCAS | MCB541 |
| NEWFREN | .FD.0082 |
| SBS | 570 |
| VESRAH | VD 240 |

FDB389

58.0 x 54.0 x 8.7 mm

SUZUKI

FRONT / REAR



| MATERIAL AVAILABILITY | | | | | | | |
|-----------------------|-----|----|----|----|-----|-------|------|
| P | PRP | AG | SG | ST | CP1 | CP211 | XRAC |
| ✓ | | | | ✓ | | | |

| EQUIVALENT OE # | |
|-----------------|-------------|
| OEM Suzuki | 59100 10810 |
| OEM Suzuki | 59130 30B00 |
| OEM Suzuki | 59130 38B10 |
| OEM Suzuki | 59100 38820 |
| OEM Suzuki | 69100 38840 |
| OEM Suzuki | 69130 38B10 |
| OEM Suzuki | 69100 38820 |

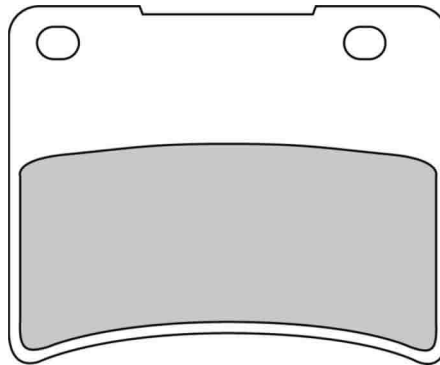
| CROSS REFERENCE | |
|-----------------|----------|
| BREMBO | 07SU0607 |
| CL BRAKES | 2280 |
| EBC | FA103 |
| GALFER | FD 066 |
| LUCAS | MCB542 |
| NEWFREN | .FD.0083 |
| SBS | 577 |
| VESRAH | VD 331 |

FDB390

58.0 x 48.0 x 8.7 mm

SUZUKI

FRONT / REAR



| MATERIAL AVAILABILITY | | | | | | | |
|-----------------------|-----|----|----|----|-----|-------|------|
| P | PRP | AG | SG | ST | CP1 | CP211 | XRAC |
| ✓ | | | | | | | |

| EQUIVALENT OE # | |
|-----------------|-------------|
| OEM Suzuki | 59130 04A10 |

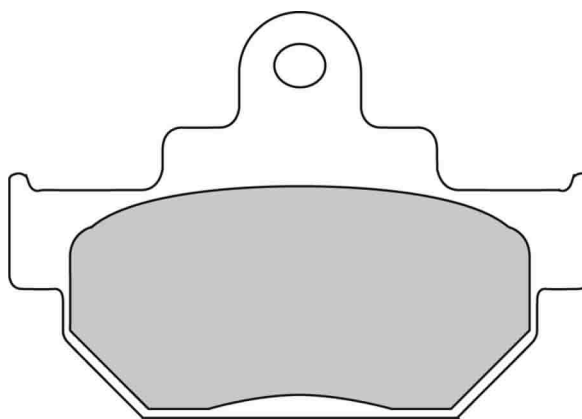
| CROSS REFERENCE | |
|-----------------|----------|
| BREMBO | 07SU0707 |
| EBC | FA102 |
| GALFER | FD 083 |
| LUCAS | MCB547 |
| NEWFREN | .FD.0119 |
| SBS | 578 |
| VESRAH | VD 328 |

FDB404

77.0 x 54.0 x 7.1 mm

MAICO, SUZUKI

FRONT / REAR



| MATERIAL AVAILABILITY | | | | | | | |
|-----------------------|-----|----|----|----|-----|-------|------|
| P | PRP | AG | SG | ST | CP1 | CP211 | XRAC |
| ✓ | | | | | | | |

| EQUIVALENT OE # | |
|-----------------|-------------|
| OEM Suzuki | 59300 24830 |
| OEM Suzuki | 59100 26820 |

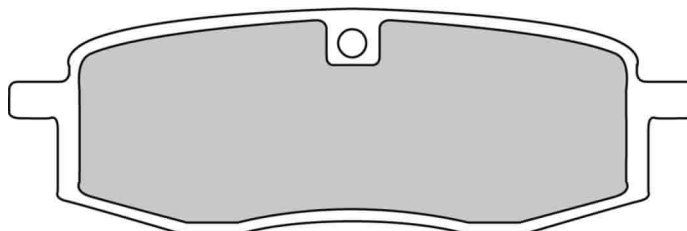
| CROSS REFERENCE | |
|-----------------|---------------|
| BREMBO | 07SU0904 |
| CL BRAKES | 2387 |
| EBC | FA106 |
| GALFER | FD 209 |
| LUCAS | MCB55 |
| NEWFREN | .FD.0092 |
| SBS | 581 |
| VESRAH | VD 329 /392/2 |

FDB411

91.0 x 30.0 x 8.4 mm

YAMAHA

FRONT



| MATERIAL AVAILABILITY | | | | | | | |
|-----------------------|-----|----|----|----|-----|-------|------|
| P | PRP | AG | SG | ST | CP1 | CP211 | XRAC |
| ✓ | | | | | | | |

| EQUIVALENT OE # | |
|-----------------|--------------|
| OEM Yamaha | 1LN W0045 00 |
| OEM Yamaha | 2HH W0045 00 |

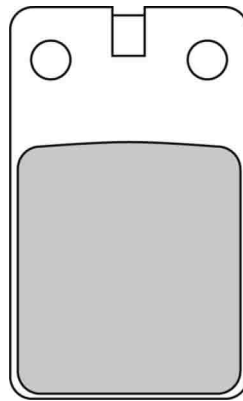
| CROSS REFERENCE | |
|-----------------|----------|
| BREMBO | 07YA1305 |
| CL BRAKES | 2792 |
| EBC | FA105 |
| GALFER | FD 080 |
| NEWFREN | .FD.0089 |
| SBS | 580 |
| VESRAH | VD 241 |

FDB436

31.5 x 52.0 x 5.5 mm

BENELLI, BETA, CIMATTI, FANTIC, GARELLI, GASGAS, GILERA, MALAGUTI, MONTESSA, TOMOS, TRE SOLDI, ZUNDAPP

FRONT / REAR



| MATERIAL AVAILABILITY | | | | | | | |
|-----------------------|-----|----|----|----|-----|-------|------|
| P | PRP | AG | SG | ST | CP1 | CP211 | XRAC |
| ✓ | | | | | | | |

| EQUIVALENT OE # | |
|-----------------|----------|
| OEM Malagutti | 11933400 |

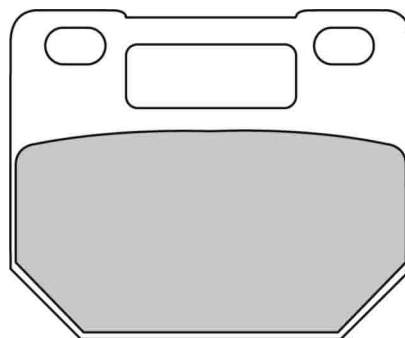
| CROSS REFERENCE | |
|-----------------|----------|
| BREMBO | 07GR0501 |
| CL BRAKES | 3034 |
| EBC | FA099 |
| GALFER | FD 071 |
| NEWFREN | .FD.0074 |
| SBS | 595 |
| VESRAH | VD 932 |

FDB437

53.0 x 44.0 x 7.0 mm

SUZUKI

FRONT



| MATERIAL AVAILABILITY | | | | | | | |
|-----------------------|-----|----|----|----|-----|-------|------|
| P | PRP | AG | SG | ST | CP1 | CP211 | XRAC |
| ✓ | | | | | | | |

| EQUIVALENT OE # | |
|-----------------|-------------|
| OEM Suzuki | 59130 36A01 |

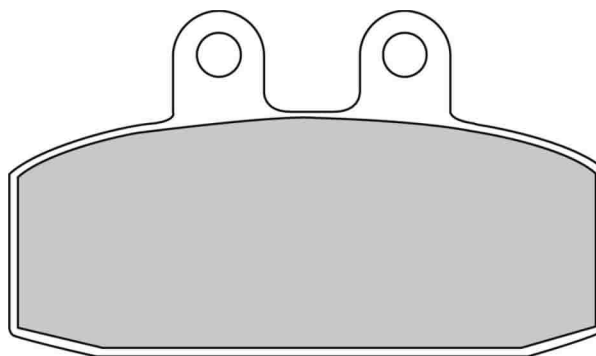
| CROSS REFERENCE | |
|-----------------|----------|
| BREMBO | 07SU1005 |
| EBC | FA110 |
| GALFER | FD 081 |
| LUCAS | MCB556 |
| NEWFREN | .FD.0100 |
| SBS | 587 |
| VESRAH | VD 335 |

FDB438

79.0 x 47.0 x 7.4 mm

APRILIA, CAGIVA, FANTIC, GARELLI, GASGAS, GILERA, HONDA, HONDA-HM ITALIA, MALAGUTI, MOTO MORINI, MOTORHISPANIA, PUCH, YAMAHA

FRONT / REAR



| MATERIAL AVAILABILITY | | | | | | | |
|-----------------------|-----|----|----|----|-----|-------|------|
| P | PRP | AG | SG | ST | CP1 | CP211 | XRAC |
| ✓ | | ✓ | | | | | |

| EQUIVALENT OE # | |
|-----------------|---------|
| OEM Aprilia | 8113865 |
| OEM Aprilia | 8133761 |

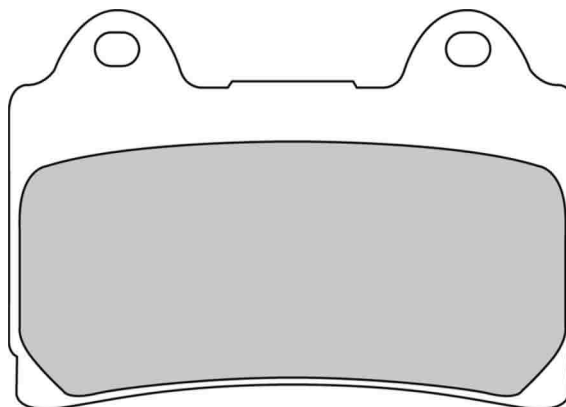
| CROSS REFERENCE | |
|-----------------|----------|
| BREMBO | 07GR0305 |
| CL BRAKES | 2457 |
| CL BRAKES | 2794 |
| CL BRAKES | 3021 |
| EBC | FA113 |
| EBC | FA256 |
| GALFER | FD 074 |
| NEWFREN | .FD.0091 |
| SBS | 588 |
| VESRAH | VD 152 |

FDB449

75.0 x 54.0 x 10.7 mm

YAMAHA

FRONT / REAR



| MATERIAL AVAILABILITY | | | | | | | |
|-----------------------|-----|----|----|----|-----|-------|------|
| P | PRP | AG | SG | ST | CP1 | CP211 | XRAC |
| ✓ | | | | ✓ | | | |

| EQUIVALENT OE # | |
|-----------------|--------------|
| OEM Yamaha | 4KG W0045 00 |
| OEM Yamaha | 4WM W0046 00 |

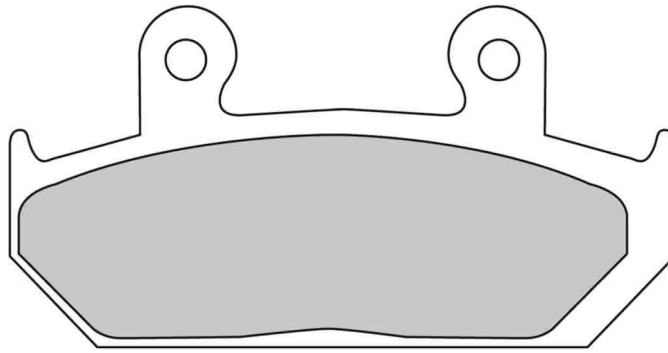
| CROSS REFERENCE | |
|-----------------|----------|
| BREMBO | 07YA1711 |
| CL BRAKES | 2305 |
| CL BRAKES | 2311 |
| EBC | FA123 |
| GALFER | FD 087 |
| LUCAS | MCB559 |
| NEWFREN | .FD.0104 |
| SBS | 590 |
| VESRAH | VD 242 |

FDB452

88.1 x 46.1 x 8.5 mm

HONDA

FRONT



| ALSO AVAILABLE | | |
|----------------|--------|-------|
| SHAPE | TH. MM | NOTES |
| FDB663 | 9.8 | |

| MATERIAL AVAILABILITY | | | | | | | |
|-----------------------|-----|----|----|----|-----|-------|------|
| P | PRP | AG | SG | ST | CP1 | CP211 | XRAC |
| ✓ | | | | ✓ | | | |

| EQUIVALENT OE # | |
|-----------------|---------------|
| OEM Honda | 45105 MS6 901 |

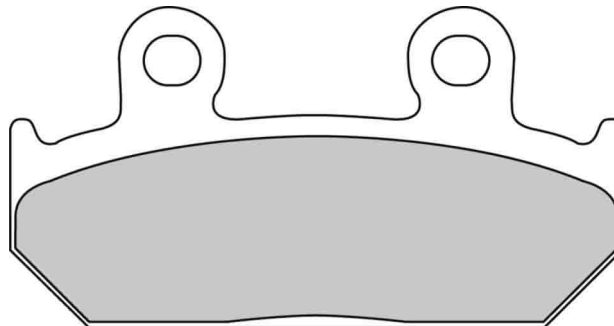
| CROSS REFERENCE | |
|-----------------|----------|
| BREMBO | 07HO23RR |
| CL BRAKES | 2310 |
| EBC | FA124 |
| NEWFREN | .FD.0188 |
| SBS | 600 |
| VESRAH | VD 143 |

FDB462

81.2 x 42.0 x 8.0 mm

HONDA

FRONT



| ALSO AVAILABLE | | |
|----------------|--------|-------|
| SHAPE | TH. MM | NOTES |
| FDB2113 | 9.5 | |

| MATERIAL AVAILABILITY | | | | | | | |
|-----------------------|-----|----|----|----|-----|-------|------|
| P | PRP | AG | SG | ST | CP1 | CP211 | XRAC |
| ✓ | | | | ✓ | | | |

| EQUIVALENT OE # | |
|-----------------|---------------|
| OEM Honda | 45105 MV1 405 |
| OEM Honda | 45105 MV1 008 |

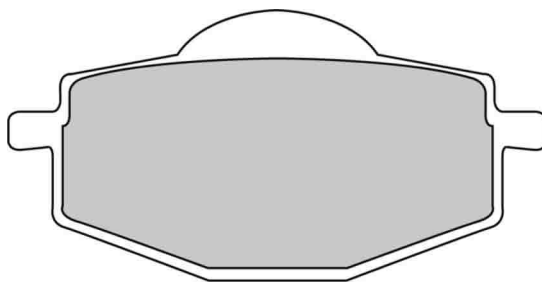
| CROSS REFERENCE | |
|-----------------|----------|
| BREMBO | 07HO2107 |
| CL BRAKES | 2252 |
| EBC | FA121 |
| GALFER | FD 096 |
| LUCAS | MCB562 |
| NEWFREN | .FD.0106 |
| SBS | 593 |
| VESRAH | VD 141 |

FDB475

71.0 x 36.0 x 8.0 mm

HONDA-HM ITALIA, YAMAHA

FRONT / REAR



| ALSO AVAILABLE | | |
|----------------|--------|-------|
| SHAPE | TH. MM | NOTES |
| FDB383 | 9.4 | |

| MATERIAL AVAILABILITY | | | | | | | |
|-----------------------|-----|----|----|----|-----|-------|------|
| P | PRP | AG | SG | ST | CP1 | CP211 | XRAC |
| | | ✓ | | | | | |

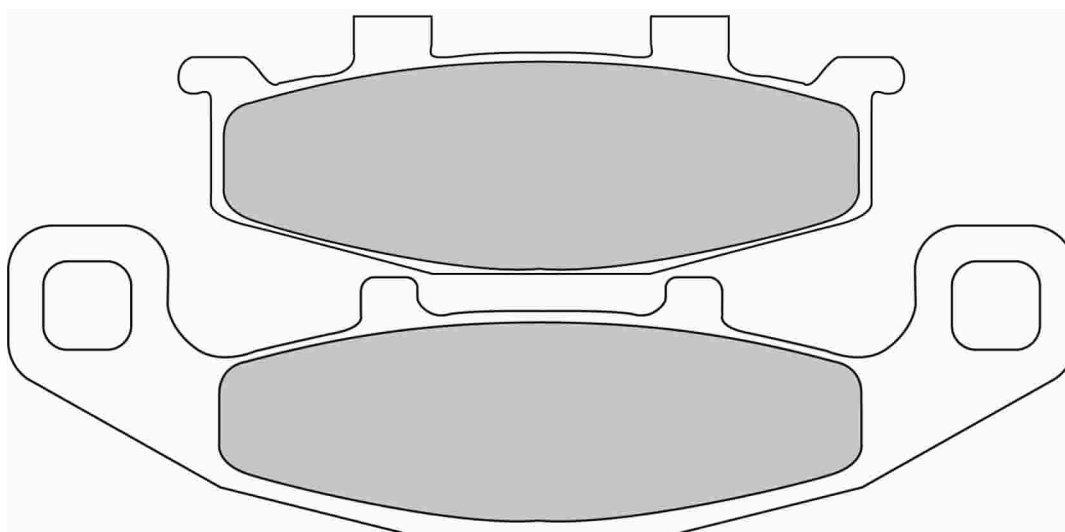
| CROSS REFERENCE | |
|-----------------|----------|
| BREMBO | 07YA1407 |
| CL BRAKES | 2284 |
| EBC | FA101 |
| GALFER | FD 079 |
| LUCAS | MCB539 |
| NEWFREN | .FD.0090 |
| SBS | 575 |
| VESRAH | VD 239 |

FDB481

95.0 x 35.0 x 8.8 mm / 141.0 x 42.0 x 8.3 mm

KAWASAKI, SUZUKI

FRONT / REAR



| MATERIAL AVAILABILITY | | | | | | | |
|-----------------------|-----|----|----|----|-----|-------|------|
| P | PRP | AG | SG | ST | CP1 | CP211 | XRAC |
| ✓ | | | | ✓ | | | |

| EQUIVALENT OE # | |
|-----------------|-------------|
| OEM Kawasaki | 43082 1189 |
| OEM Kawasaki | 43082 1139 |
| OEM Kawasaki | 43082 1123 |
| OEM Kawasaki | 43082 1134 |
| OEM Kawasaki | 43082 1114 |
| OEM Suzuki | 59300 33860 |
| OEM Suzuki | 59100 26810 |
| OEM Suzuki | 59301 45860 |

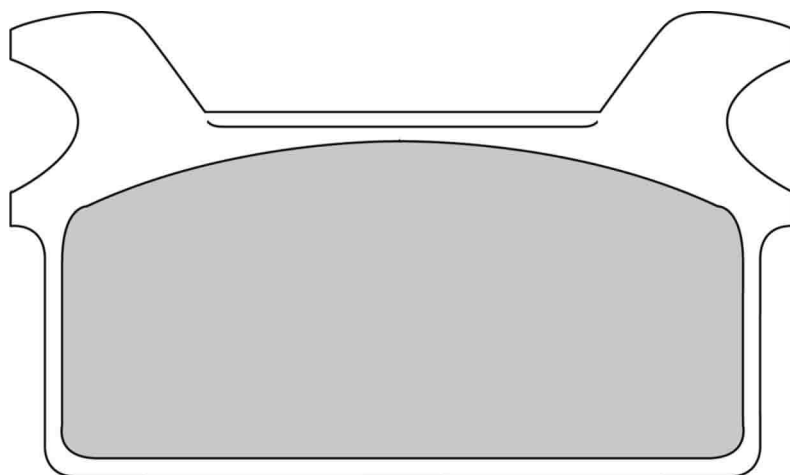
| CROSS REFERENCE | |
|-----------------|----------|
| BREMBO | 07KA0933 |
| CL BRAKES | 2304 |
| EBC | FA129 |
| GALFER | FD 090 |
| LUCAS | MCB569 |
| NEWFREN | .FD.0108 |
| SBS | 597 |
| VESRAH | VD 427 |

FDB485

104.0 x 62.0 x 12.4 mm

HARLEY DAVIDSON, HONDA

FRONT / REAR



| MATERIAL AVAILABILITY | | | | | | | |
|-----------------------|-----|----|----|----|-----|-------|------|
| P | PRP | AG | SG | ST | CP1 | CP211 | XRAC |
| ✓ | ✓ | | | | | | |

| EQUIVALENT OE # | |
|-----------------|-----------|
| OEM Harley | 43957 86E |
| OEM Harley | 43957 86B |
| OEM Harley | 43957 86D |

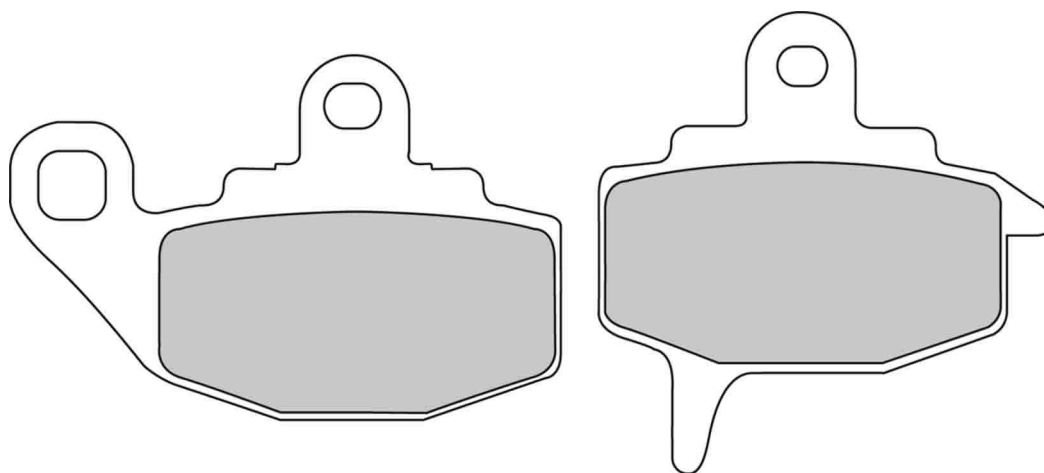
| CROSS REFERENCE | |
|-----------------|----------|
| BREMBO | 07HD0810 |
| CL BRAKES | 2342 |
| EBC | FA138 |
| EBC | FA201 |
| GALFER | FD 125 |
| NEWFREN | .FD.0149 |
| SBS | 609 |
| VESRAH | VD 956 |

FDB494

73.0 x 49.0 x 6.6 mm / 61.0 x 63.0 x 8.9 mm

KAWASAKI

FRONT



| MATERIAL AVAILABILITY | | | | | | | |
|-----------------------|-----|----|----|----|-----|-------|------|
| P | PRP | AG | SG | ST | CP1 | CP211 | XRAC |
| ✓ | | | | | | | |

| EQUIVALENT OE # | |
|-----------------|------------|
| OEM Kawasaki | 43082 1072 |

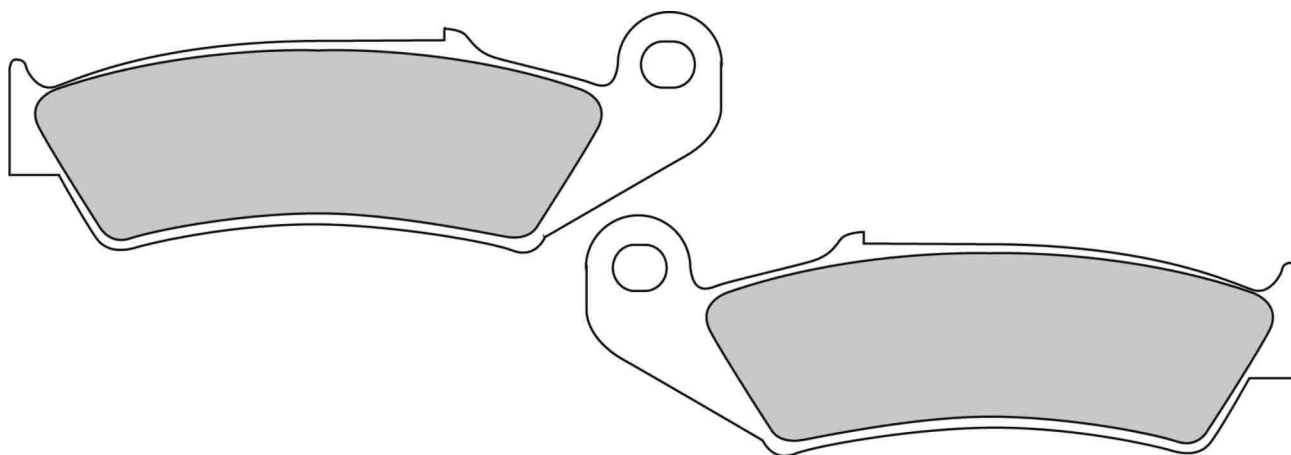
| CROSS REFERENCE | |
|-----------------|----------|
| BREMBO | 07KA1016 |
| EBC | FA130 |
| GALFER | FD 091 |
| NEWFREN | .FD.0116 |
| SBS | 602 |
| VESRAH | VD 428 |

FDB495

94.0 x 33.0 x 7.0 mm

HONDA, HONDA 3 WHEELERS, HONDA ATV

FRONT



| MATERIAL AVAILABILITY | | | | | | | |
|-----------------------|-----|----|----|----|-----|-------|------|
| P | PRP | AG | SG | ST | CP1 | CP211 | XRAC |
| ✓ | | | ✓ | | | | |

| EQUIVALENT OE # | |
|-----------------|---------------|
| OEM Honda | 45105 KZ1 405 |
| OEM Honda | 45105 KW3 405 |
| OEM Honda | 45105 KW3 681 |

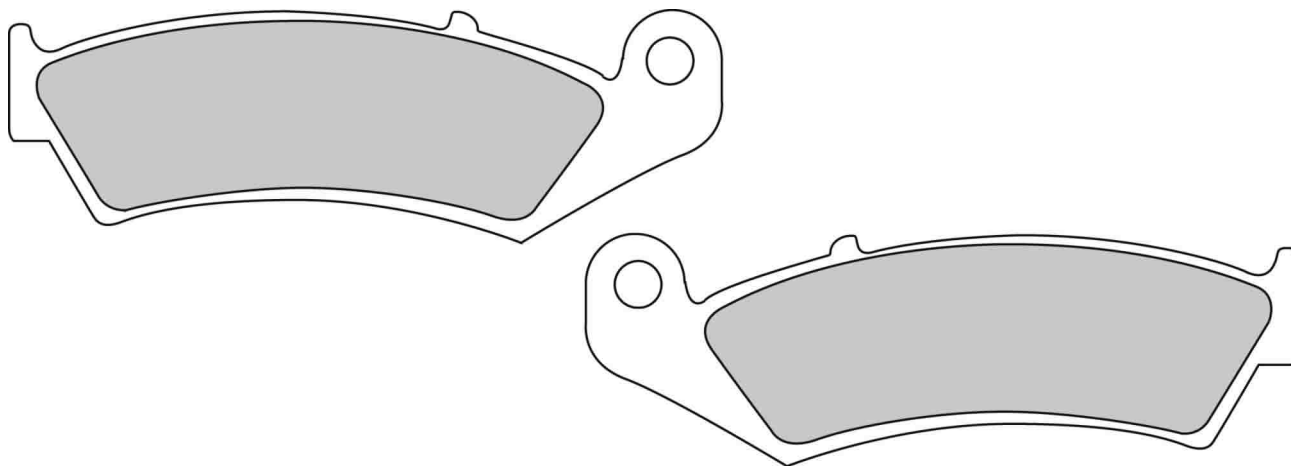
| CROSS REFERENCE | |
|-----------------|----------|
| BREMBO | 07HO2506 |
| CL BRAKES | 2300 |
| CL BRAKES | 2302 |
| EBC | FA125 |
| GALFER | FD 092 |
| NEWFREN | .FD.0120 |
| SBS | 603 |
| VESRAH | VD 139 |

FDB496

94.0 x 33.0 x 10.5 mm

HONDA, KAWASAKI

REAR



| MATERIAL AVAILABILITY | | | | | | | |
|-----------------------|-----|----|----|----|-----|-------|------|
| P | PRP | AG | SG | ST | CP1 | CP211 | XRAC |
| ✓ | | | | | | | |

| EQUIVALENT OE # | |
|-----------------|---------------|
| OEM Honda | 43105 MR7 027 |

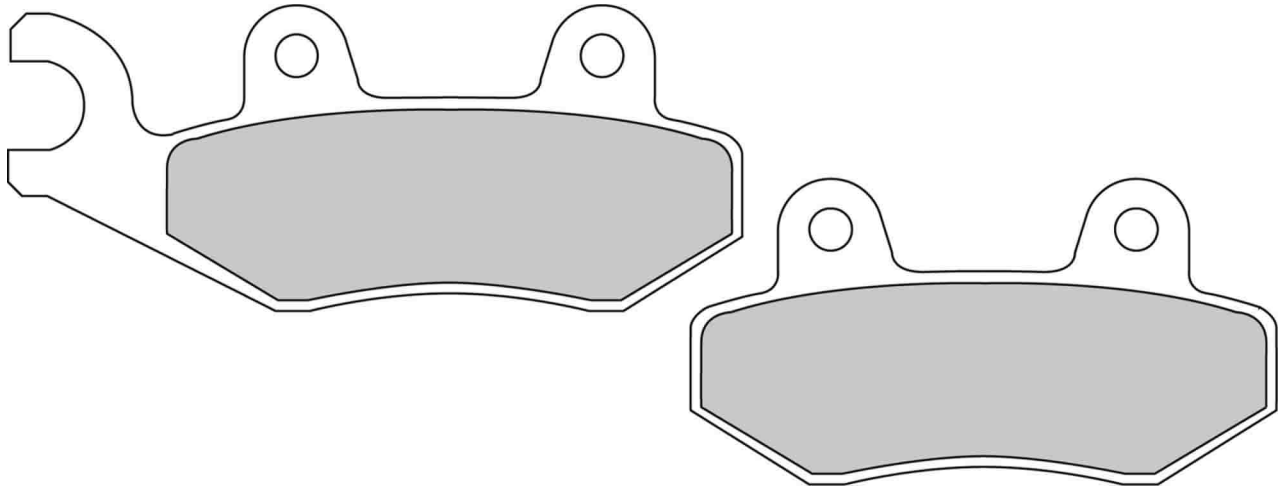
| CROSS REFERENCE | |
|-----------------|----------|
| BREMBO | 07HO2911 |
| CL BRAKES | 2385 |
| EBC | FA143 |
| GALFER | FD 110 |
| LUCAS | MCB594LF |
| NEWFREN | .FD.0141 |
| SBS | 623 |
| VESRAH | VD 139/2 |

FDB497

96.6 x 42.0 x 7.7 mm / 77.0 x 42.0 x 7.7 mm

ATK (USA), BENELLI, CAGIVA, CFMOTO, DERBI, HONDA, HUSQVARNA, HYOSUNG, KAWASAKI, KAWASAKI ATV, KEEWAY, KSR MOTO BY GENERIC, KYMCO, MALAGUTI, PEUGEOT, PIAGGIO, QUADZILLA, SINNIS, SUZUKI, SUZUKI ATV, SYM, TRIUMPH, YAMAHA, YAMAHA ATV

FRONT / REAR



| MATERIAL AVAILABILITY | | | | | | | |
|-----------------------|-----|----|----|----|-----|-------|------|
| P | PRP | AG | SG | ST | CP1 | CP211 | XRAC |
| ✓ | | ✓ | ✓ | ✓ | | | |

| EQUIVALENT OE # | |
|-----------------|----------------|
| OEM Kawasaki | 43082 0060 |
| OEM Kawasaki | 43082 1117 |
| OEM Kawasaki | 43082 1089 |
| OEM Kawasaki | 43082 1099 |
| OEM Kymco | 45106 KKD6 E00 |
| OEM Suzuki | 59300 27810 |
| OEM Suzuki | 59100 05830 |
| OEM Suzuki | 59300 27860 |
| OEM Suzuki | 59300 27830 |
| OEM Suzuki | 59300 27870 |
| OEM Suzuki | 59300 27850 |
| OEM Suzuki | 59300 26830 |
| OEM Triumph | 2020072T0301 |
| OEM Yamaha | 4EW W0045 00 |
| OEM Yamaha | 4EW W0045 01 |
| OEM Yamaha | 4SS W0045 00 |
| OEM Yamaha | 3JD W0045 00 |
| OEM Yamaha | 3SP W0045 00 |
| OEM Yamaha | 4MX W0045 00 |

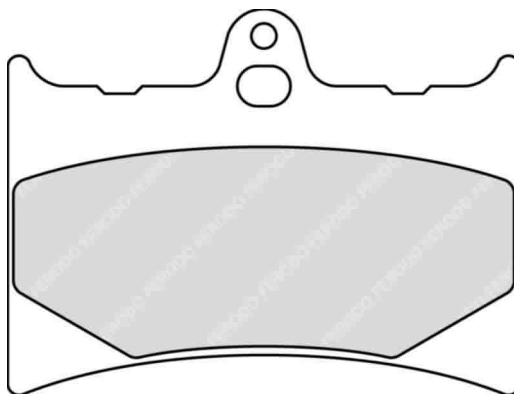
| CROSS REFERENCE | |
|-----------------|---------------|
| BREMBO | 07SU1215 |
| CL BRAKES | 2288 |
| EBC | FA135 |
| EBC | FA202 |
| EBC | FA214 |
| EBC | FA228 |
| GALFER | FD 086 |
| LUCAS | MCB582 |
| NEWFREN | .FD.0122 |
| SBS | 163 |
| SBS | 611 |
| SBS | 713 |
| VESRAH | VD 340 /340/2 |

FDB498

68.0 x 52.0 x 7.0 mm

ALFER, APRILIA, ATK (USA), BENELLI, GILERA, KTM, MOTO GUZZI, MZ, SACHS

FRONT / REAR



| MATERIAL AVAILABILITY | | | | | | | |
|-----------------------|-----|----|----|----|-----|-------|------|
| P | PRP | AG | SG | ST | CP1 | CP211 | XRAC |
| ✓ | | | | ✓ | | | ✓ |

| EQUIVALENT OE # | |
|-----------------|---------|
| OEM Aprilia | 8113638 |

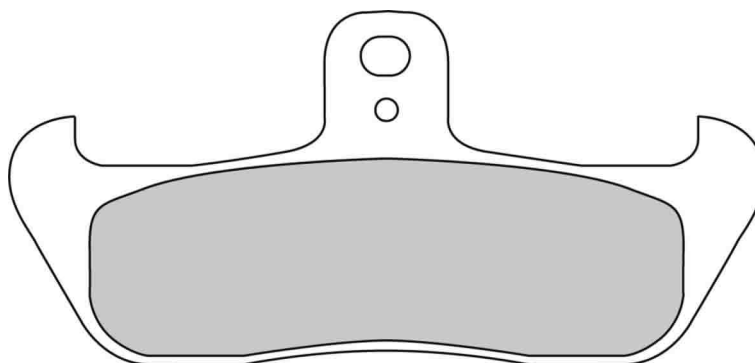
| CROSS REFERENCE | |
|-----------------|----------|
| BREMBO | 07GR5605 |
| CL BRAKES | 2398 |
| EBC | FA126 |
| GALFER | FD 085 |
| GALFER | FD 118 |
| LUCAS | MCB572 |
| NEWFREN | .FD.0115 |
| SBS | 601 |
| VESRAH | VD 943 |

FDB499

100.0 x 47.0 x 8.5 mm

ALFER, APRILIA, CAGIVA, GILERA, HONDA-HM ITALIA, HUSABERG, HUSQVARNA, KRAM IT, LAVERDA, MOTO MORINI, TM, YAMAHA

FRONT



| MATERIAL AVAILABILITY | | | | | | | |
|-----------------------|-----|----|----|----|-----|-------|------|
| P | PRP | AG | SG | ST | CP1 | CP211 | XRAC |
| ✓ | | | | | | | |

| EQUIVALENT OE # | |
|-----------------|--------------|
| OEM Yamaha | 2VW F0047 00 |

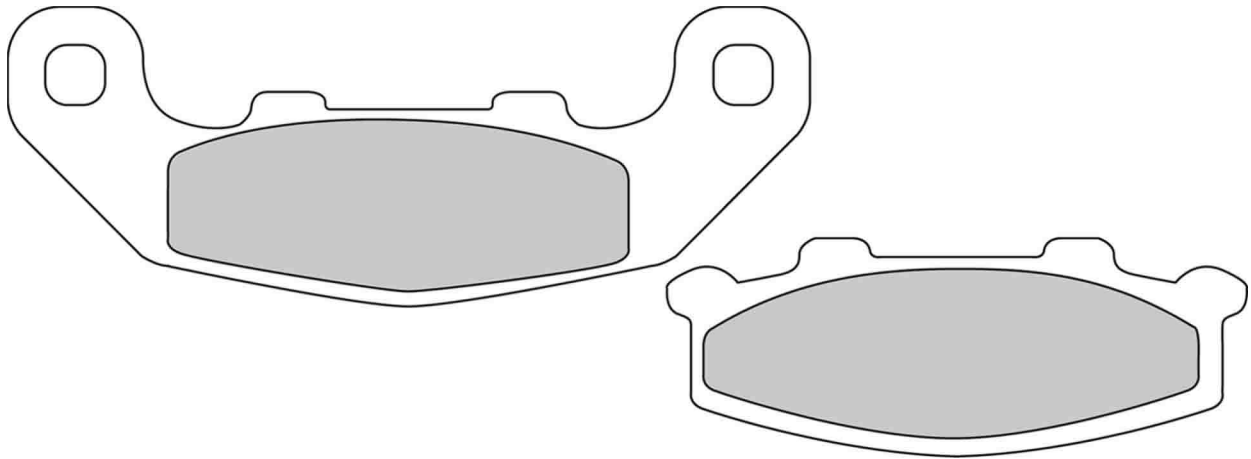
| CROSS REFERENCE | |
|-----------------|----------|
| BREMBO | 07BB0907 |
| CL BRAKES | 2400 |
| EBC | FA134 |
| GALFER | FD 089 |
| LUCAS | MCB579 |
| NEWFREN | .FD.0113 |
| SBS | 608 |
| VESRAH | VD 942 |

FDB508

106.0 x 39.0 x 8.3 mm / 76.0 x 27.0 x 9.7 mm

KAWASAKI, SUZUKI

FRONT / REAR



| MATERIAL AVAILABILITY | | | | | | | |
|-----------------------|-----|----|----|----|-----|-------|------|
| P | PRP | AG | SG | ST | CP1 | CP211 | XRAC |
| ✓ | | | | | | | |

| EQUIVALENT OE # | |
|-----------------|-------------|
| OEM Kawasaki | 43082 1125 |
| OEM Suzuki | 69100 22830 |

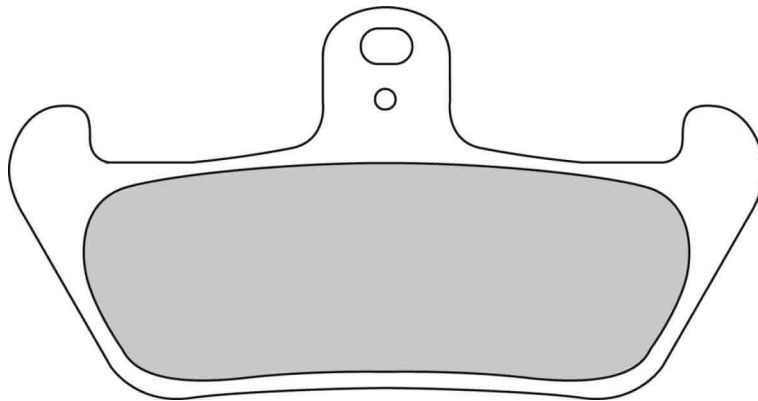
| CROSS REFERENCE | |
|-----------------|----------|
| BREMBO | 07KA1117 |
| CL BRAKES | 2389 |
| EBC | FA141 |
| GALFER | FD 104 |
| LUCAS | MCB586 |
| NEWFREN | .FD.0138 |
| SBS | 615 |
| VESRAH | VD 430 |

FDB529

100.0 x 52.0 x 7.8 mm

APRILIA, CAGIVA, GILERA, MOTO MORINI, SUZUKI

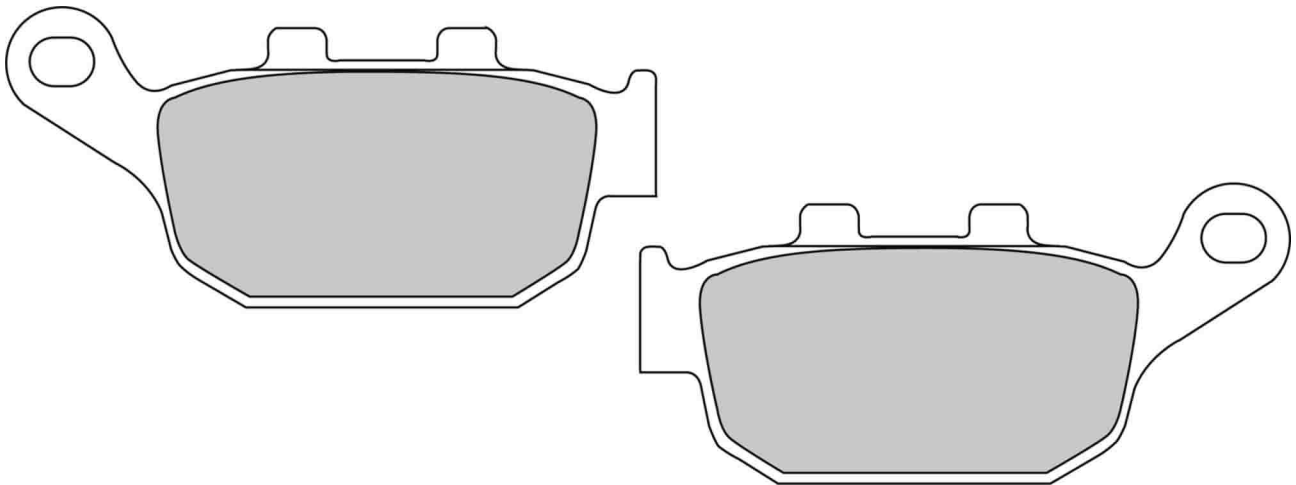
FRONT / REAR



| MATERIAL AVAILABILITY | | | | | | | |
|-----------------------|-----|----|----|----|-----|-------|------|
| P | PRP | AG | SG | ST | CP1 | CP211 | XRAC |
| ✓ | | | | | | | |

| EQUIVALENT OE # | |
|-----------------|------------|
| OEM Cagiva | 8000 59214 |

| CROSS REFERENCE | |
|-----------------|----------|
| BREMBO | 07BB1606 |
| EBC | FA163 |
| GALFER | FD 119 |
| LUCAS | MCB618 |
| NEWFREN | .FD.0158 |
| SBS | 641 |
| VESRAH | VD 929 |



| ALSO AVAILABLE | | |
|----------------|--------|-------|
| SHAPE | TH. MM | NOTES |
| FDB2258 | 8.9 | |

| MATERIAL AVAILABILITY | | | | | | | |
|-----------------------|-----|----|----|----|-----|-------|------|
| P | PRP | AG | SG | ST | CP1 | CP211 | XRAC |
| ✓ | | | | ✓ | | | |

| EQUIVALENT OE # | |
|-----------------|---------------|
| OEM Honda | 06435 KT7 405 |
| OEM Honda | 06435 KT7 415 |
| OEM Honda | 43105 MY1 405 |
| OEM Moto Guzzi | 30654630 |
| OEM Triumph | T2020602 |

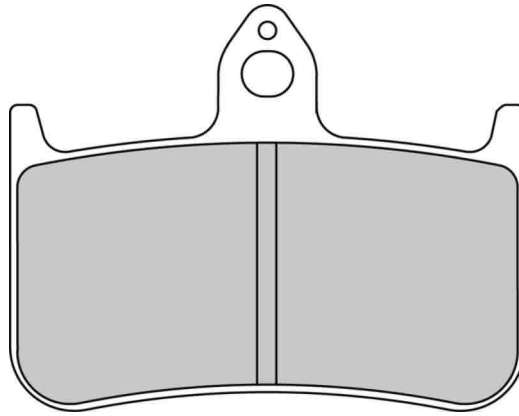
| CROSS REFERENCE | |
|-----------------|----------|
| BREMBO | 07HO2711 |
| CL BRAKES | 2298 |
| EBC | FA140 |
| GALFER | FD 103 |
| LUCAS | MCB585LF |
| NEWFREN | .FD.0136 |
| SBS | 614 |
| VESRAH | VD 147 |

FDB533

68.1 x 53.8 x 8.7 mm

HONDA

FRONT



| MATERIAL AVAILABILITY | | | | | | | |
|-----------------------|-----|----|----|----|-----|-------|------|
| P | PRP | AG | SG | ST | CP1 | CP211 | XRAC |
| ✓ | | | | ✓ | ✓ | | ✓ |

| EQUIVALENT OE # | |
|-----------------|---------------|
| OEM Honda | 06455 MAS 305 |
| OEM Honda | 06455 MBB 006 |
| OEM Honda | 06455 MBB 016 |
| OEM Honda | 06455 MCZ 006 |
| OEM Honda | 06455 MCZ 016 |
| OEM Honda | 45105 MW0 415 |

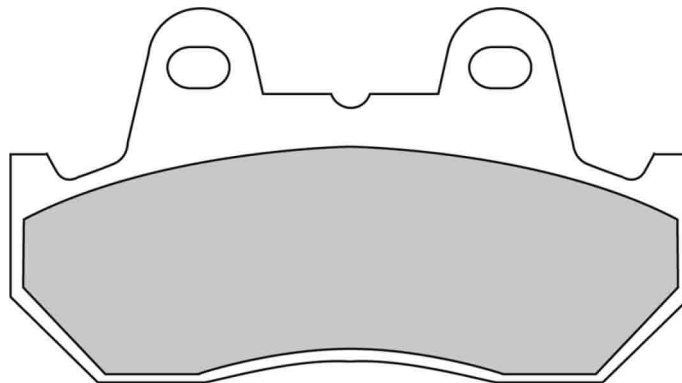
| CROSS REFERENCE | |
|-----------------|----------|
| BREMBO | 07HO2807 |
| CL BRAKES | 2245 |
| EBC | FA187 |
| GALFER | FD 100 |
| GALFER | FD 148 |
| LUCAS | MCB593 |
| NEWFREN | .FD.0131 |
| SBS | 622 |
| VESRAH | VD 154 |

FDB538

90.0 x 49.0 x 9.0 mm

HONDA

FRONT / REAR

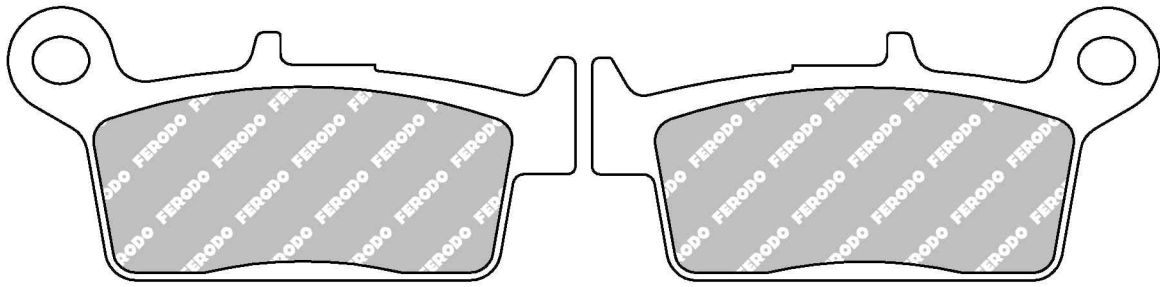


| ALSO AVAILABLE | | |
|----------------|--------|-------|
| SHAPE | TH. MM | NOTES |
| FDB244 | 10.5 | |
| FDB665 | 11.0 | |

| MATERIAL AVAILABILITY | | | | | | | |
|-----------------------|-----|----|----|----|-----|-------|------|
| P | PRP | AG | SG | ST | CP1 | CP211 | XRAC |
| ✓ | | | | ⚠ | | | |

| EQUIVALENT OE # | |
|-----------------|---------------|
| OEM Honda | 45105 KL8 405 |

| CROSS REFERENCE | |
|-----------------|----------|
| BREMBO | 07HO1807 |
| CL BRAKES | 2382 |
| CL BRAKES | 3017 |
| EBC | FA069/2 |
| LUCAS | MCB544 |
| NEWFREN | .FD.0058 |
| SBS | 572 |
| VESRAH | VD 123/2 |

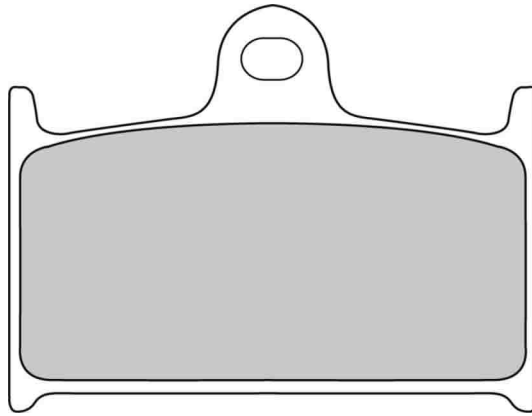


| ALSO AVAILABLE | | |
|----------------|--------|-------|
| SHAPE | TH. MM | NOTES |
| FDB672 | 9.1 | |
| FDB783 | 7.6 | |

| MATERIAL AVAILABILITY | | | | | | | |
|-----------------------|-----|----|----|----|-----|-------|------|
| P | PRP | AG | SG | ST | CP1 | CP211 | XRAC |
| ✓ | | | ✓ | | | | |

| EQUIVALENT OE # | |
|-----------------|---------------|
| OEM Honda | 43105 KZ1 405 |
| OEM Honda | 43105 KZ1 415 |
| OEM Honda | 06435 KCZ 000 |
| OEM Honda | 06435 KCZ 010 |
| OEM Kawasaki | 43082 1292 |
| OEM Kawasaki | 43082 1173 |
| OEM Kawasaki | 43082 1228 |
| OEM Kawasaki | 43082 1267 |
| OEM Suzuki | 69100 37830 |
| OEM Suzuki | 69100 37840 |
| OEM Suzuki | 69100 36820 |
| OEM Suzuki | 69100 36840 |
| OEM Suzuki | 69100 36850 |
| OEM Suzuki | 69100 36860 |
| OEM Yamaha | 5GR W0046 00 |
| OEM Yamaha | 5ET W0046 00 |
| OEM Yamaha | 5DH W0046 00 |
| OEM Yamaha | 5MV W0046 00 |

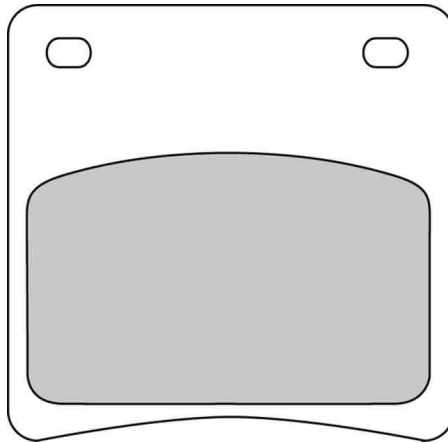
| CROSS REFERENCE | |
|-----------------|----------|
| BREMBO | 07HO2608 |
| CL BRAKES | 2314 |
| EBC | FA131 |
| GALFER | FD 093 |
| GALFER | FD 144 |
| NEWFREN | .FD.0114 |
| SBS | 604 |
| VESRAH | VD 144 |



| MATERIAL AVAILABILITY | | | | | | | |
|-----------------------|-----|----|----|----|-----|-------|------|
| P | PRP | AG | SG | ST | CP1 | CP211 | XRAC |
| ✓ | | | | ✓ | ✓ | | ✓ |

| EQUIVALENT OE # | |
|-----------------|--------------|
| OEM Suzuki | 59300 17811 |
| OEM Triumph | 2020073T0301 |
| OEM Triumph | T2020245 |

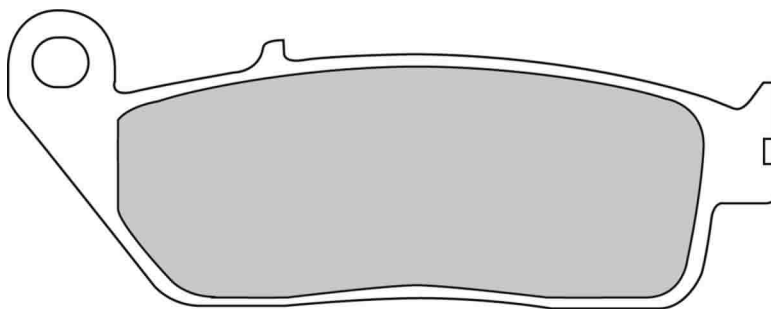
| CROSS REFERENCE | |
|-----------------|----------|
| BREMBO | 07SU1407 |
| CL BRAKES | 2246 |
| CL BRAKES | 2961 |
| EBC | FA145 |
| EBC | FA236 |
| GALFER | FD 099 |
| LUCAS | MCB595 |
| NEWFREN | .FD.0129 |
| SBS | 624 |
| SBS | 714 |
| VESRAH | VD 343 |



| MATERIAL AVAILABILITY | | | | | | | |
|-----------------------|-----|----|----|----|-----|-------|------|
| P | PRP | AG | SG | ST | CP1 | CP211 | XRAC |
| ✓ | | | | ✓ | | | |

| EQUIVALENT OE # | |
|-----------------|-------------|
| OEM Suzuki | 69130 26D00 |
| OEM Suzuki | 59130 19C00 |
| OEM Suzuki | 59100 20820 |
| OEM Suzuki | 59100 45B90 |
| OEM Suzuki | 59100 19820 |

| CROSS REFERENCE | |
|-----------------|----------|
| BREMBO | 07SU1306 |
| CL BRAKES | 2281 |
| EBC | FA146 |
| LUCAS | MCB591 |
| NEWFREN | .FD.0147 |
| SBS | 620 |
| VESRAH | VD 345/2 |

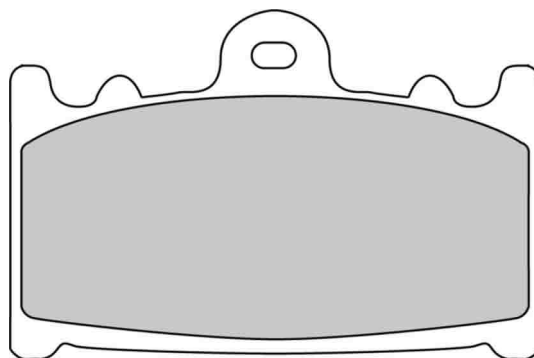


| ALSO AVAILABLE | | |
|----------------|--------|-------|
| SHAPE | TH. MM | NOTES |
| FDB2225 | 10.0 | |
| FDB664 | 9.8 | |

| MATERIAL AVAILABILITY | | | | | | | |
|-----------------------|-----|----|----|----|-----|-------|------|
| P | PRP | AG | SG | ST | CP1 | CP211 | XRAC |
| ✓ | | | | ✓ | ✓ | | ✓ |

| EQUIVALENT OE # | |
|-----------------|---------------|
| OEM Honda | 06455 MAA 405 |
| OEM Honda | 06455 MAA 415 |
| OEM Honda | 06455 MAH 405 |
| OEM Honda | 06455 MAL G01 |
| OEM Honda | 06455 MAL G02 |
| OEM Honda | 06455 MBK 751 |
| OEM Honda | 06455 MBK 752 |
| OEM Honda | 06455 MCK A01 |
| OEM Honda | 06455 MCK A02 |
| OEM Honda | 06455 MEA 671 |
| OEM Honda | 06455 MEA 672 |
| OEM Honda | 06455 MR4 405 |
| OEM Honda | 06455 MR4 415 |
| OEM Honda | 06455 MS9 405 |
| OEM Honda | 06455 MW3 405 |
| OEM Honda | 06455 MW3 415 |
| OEM Honda | 06455 MZ0 760 |
| OEM Honda | 06455-MV4-405 |
| OEM Honda | 45106 ML7 922 |
| OEM Honda | 06455 MV4 405 |
| OEM Honda | 45105 ML7 405 |
| OEM Honda | 45105 MW3 671 |
| OEM Honda | 45105 MR4 901 |
| OEM Honda | 45105 ML7 922 |
| OEM Kawasaki | 43082 0079 |
| OEM Suzuki | 59300 21850 |
| OEM Suzuki | 59300 21820 |
| OEM Suzuki | 59300 21840 |
| OEM Triumph | T2020537 |
| OEM Yamaha | 3D7 W0045 10 |
| OEM Yamaha | 5YU W0046 00 |

| CROSS REFERENCE | |
|-----------------|----------|
| BREMBO | 07HO3005 |
| BREMBO | 07HO3405 |
| CL BRAKES | 2256 |
| CL BRAKES | 2313 |
| EBC | FA142 |
| EBC | FA196 |
| GALFER | FD 108 |
| GALFER | FD 140 |
| NEWFREN | .FD.0132 |
| SBS | 627 |
| SBS | 654 |
| SBS | 700 |
| VESRAH | VD 156 |



| MATERIAL AVAILABILITY | | | | | | | |
|-----------------------|-----|----|----|----|-----|-------|------|
| P | PRP | AG | SG | ST | CP1 | CP211 | XRAC |
| ✓ | ✗ | | | ✓ | ✓ | | ✓ |

| EQUIVALENT OE # | |
|-----------------|-------------|
| OEM Kawasaki | 43082 1162 |
| OEM Kawasaki | 43082 1142 |
| OEM Kawasaki | 43082 0019 |
| OEM Kawasaki | 43082 0030 |
| OEM Kawasaki | 43082 1169 |
| OEM Kawasaki | 43082 0016 |
| OEM Kawasaki | 43082 0014 |
| OEM Kawasaki | 43082 0025 |
| OEM Suzuki | 59300 34830 |
| OEM Suzuki | 59101 35810 |
| OEM Suzuki | 59100 35850 |
| OEM Suzuki | 59100 5880 |
| OEM Suzuki | 59100 35880 |
| OEM Suzuki | 59100 35830 |
| OEM Suzuki | 59130 32C20 |

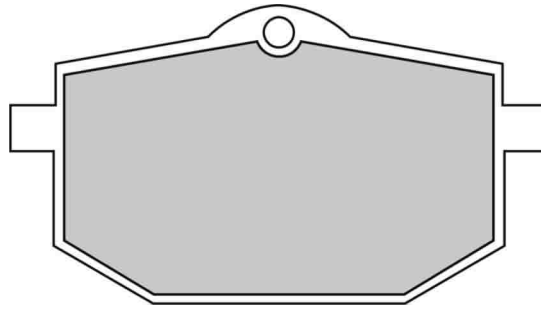
| CROSS REFERENCE | |
|-----------------|----------|
| BREMBO | 07KA1306 |
| CL BRAKES | 2251 |
| EBC | FA158 |
| GALFER | FD 107 |
| LUCAS | MCB62 |
| NEWFREN | .FD.0143 |
| SBS | 631 |
| VESRAH | VD 344 |

FDB583

71.2 x 39.0 x 9.8 mm

MOTO GUZZI, YAMAHA

FRONT



| MATERIAL AVAILABILITY | | | | | | | |
|-----------------------|-----|----|----|----|-----|-------|------|
| P | PRP | AG | SG | ST | CP1 | CP211 | XRAC |
| ✓ | | | | | | | |

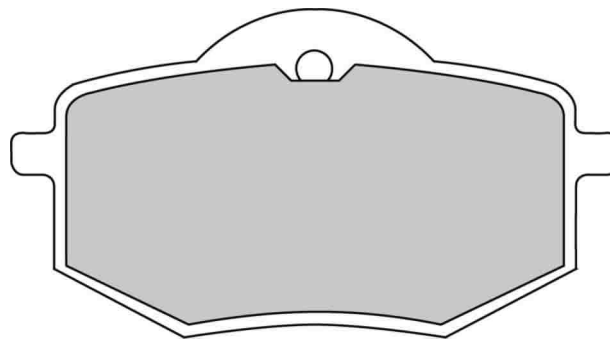
| CROSS REFERENCE | |
|-----------------|----------|
| BREMBO | 07YA1809 |
| CL BRAKES | 2393 |
| EBC | FA118 |
| GALFER | FD 072 |
| LUCAS | MCB568 |
| NEWFREN | .FD.0097 |
| SBS | 596 |
| VESRAH | VD 245 |

FDB591

80.0 x 42.0 x 10.0 mm

YAMAHA

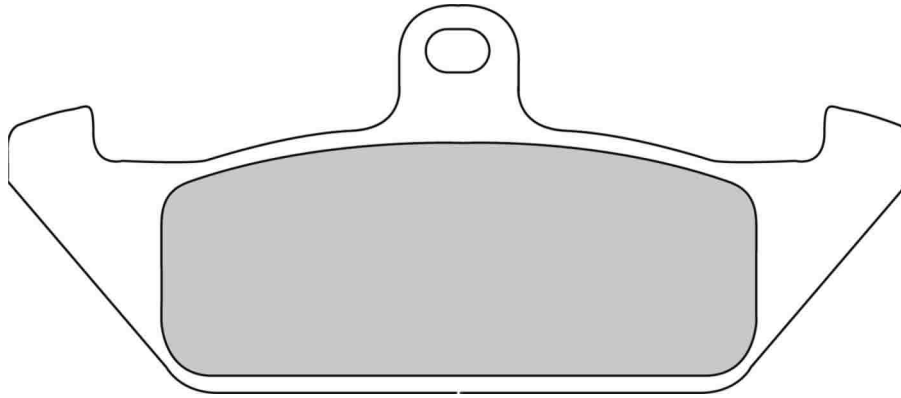
FRONT



| MATERIAL AVAILABILITY | | | | | | | |
|-----------------------|-----|----|----|----|-----|-------|------|
| P | PRP | AG | SG | ST | CP1 | CP211 | XRAC |
| ✓ | | | | | | | |

| EQUIVALENT OE # | |
|-----------------|--------------|
| OEM Yamaha | 3JB W0045 00 |

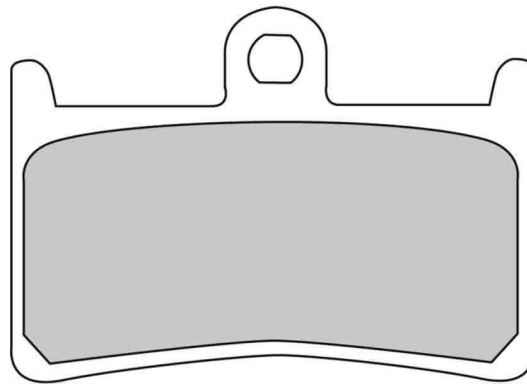
| CROSS REFERENCE | |
|-----------------|----------|
| BREMBO | 07YA1909 |
| CL BRAKES | 2392 |
| EBC | FA136 |
| GALFER | FD 127 |
| LUCAS | MCB587 |
| NEWFREN | .FD.0135 |
| SBS | 616 |
| VESRAH | VD 246 |



| MATERIAL AVAILABILITY | | | | | | | |
|-----------------------|-----|----|----|----|-----|-------|------|
| P | PRP | AG | SG | ST | CP1 | CP211 | XRAC |
| ✓ | | | | | | | |

| EQUIVALENT OE # | |
|-----------------|------------|
| OEM Cagiva | 8000 45453 |

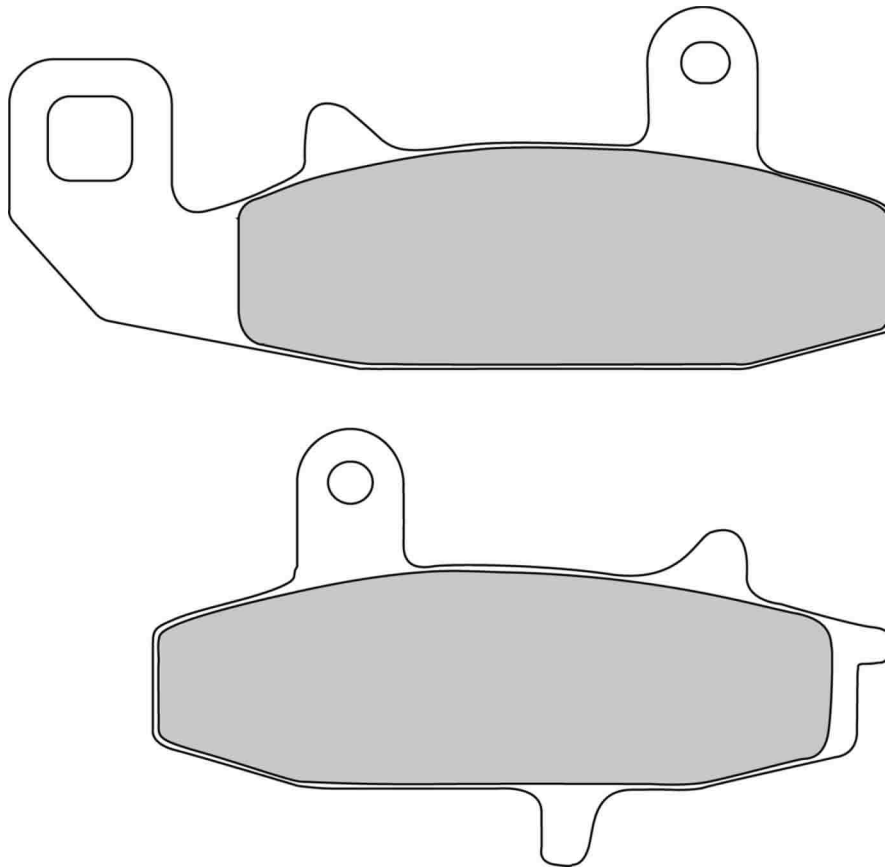
| CROSS REFERENCE | |
|-----------------|----------|
| BREMBO | 07BB0606 |
| CL BRAKES | 2801 |
| EBC | FA120 |
| GALFER | FD 098 |
| LUCAS | MCB563 |
| NEWFREN | .FD.0096 |
| SBS | 594 |
| VESRAH | VD 924 |



| MATERIAL AVAILABILITY | | | | | | | |
|-----------------------|-----|----|----|----|-----|-------|------|
| P | PRP | AG | SG | ST | CP1 | CP211 | XRAC |
| ✓ | | | | ✓ | ✓ | | ✓ |

| EQUIVALENT OE # | |
|-----------------|--------------|
| OEM Yamaha | 4XVW004500 |
| OEM Yamaha | 5VNW004500 |
| OEM Yamaha | 4SV W0045 00 |
| OEM Yamaha | 4B5W004500 |
| OEM Yamaha | 5JJ W004 500 |
| OEM Yamaha | 5FL W0045 00 |
| OEM Yamaha | 5SL W0045 00 |
| OEM Yamaha | 1D7W004500 |
| OEM Yamaha | 2C0 W0045 00 |
| OEM Yamaha | 3TJ W0045 00 |
| OEM Yamaha | 5PW W0045 00 |

| CROSS REFERENCE | |
|-----------------|----------|
| BREMBO | 07YA2307 |
| CL BRAKES | 2361 |
| EBC | FA168 |
| EBC | FA252 |
| EBC | FA380HH |
| GALFER | FD 178 |
| LUCAS | MCB611 |
| NEWFREN | .FD.0190 |
| SBS | 198 |
| SBS | 634 |
| SBS | 639 |
| VESRAH | VD 248 |
| VESRAH | VD 249 |



| MATERIAL AVAILABILITY | | | | | | | |
|-----------------------|-----|----|----|----|-----|-------|------|
| P | PRP | AG | SG | ST | CP1 | CP211 | XRAC |
| ✓ | | | | | | | |

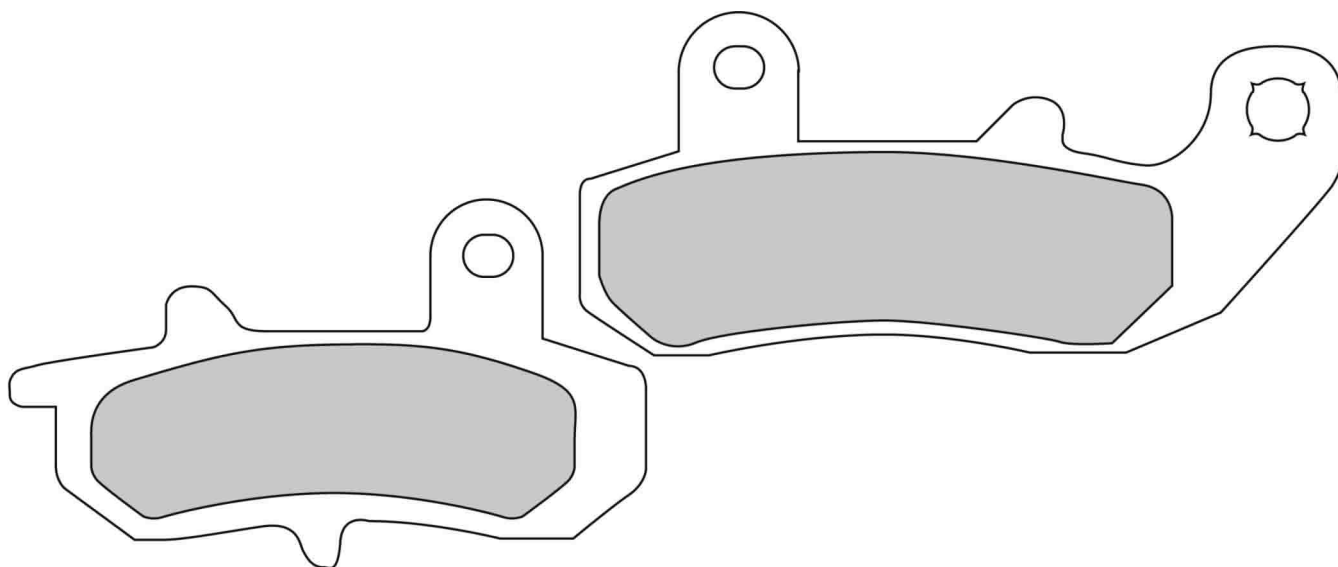
| CROSS REFERENCE | |
|-----------------|----------|
| BREMBO | 07SU1509 |
| CL BRAKES | 2308 |
| EBC | FA147 |
| GALFER | FD 101 |
| LUCAS | MCB597 |
| NEWFREN | .FD.0140 |
| SBS | 626 |
| VESRAH | VD 347 |

FDB607

99.0 x 44.0 x 7.4 mm / 84.0 x 47.0 x 9.8 mm

SUZUKI

REAR



| MATERIAL AVAILABILITY | | | | | | | |
|-----------------------|-----|----|----|----|-----|-------|------|
| P | PRP | AG | SG | ST | CP1 | CP211 | XRAC |
| ✓ | | | | | | | |

| EQUIVALENT OE # | |
|-----------------|-------------|
| OEM Suzuki | 69100 12B10 |
| OEM Suzuki | 69100 44860 |

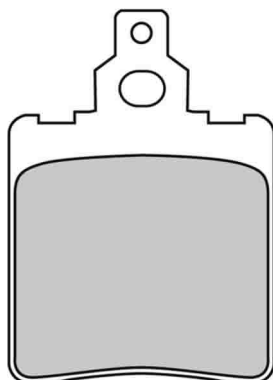
| CROSS REFERENCE | |
|-----------------|----------|
| BREMBO | 07SU1718 |
| CL BRAKES | 2388 |
| EBC | FA157 |
| GALFER | FD 120 |
| LUCAS | MCB612LF |
| NEWFREN | .FD.0164 |
| SBS | 635 |
| VESRAH | VD 348 |

FDB624

35.0 x 52.0 x 7.0 mm

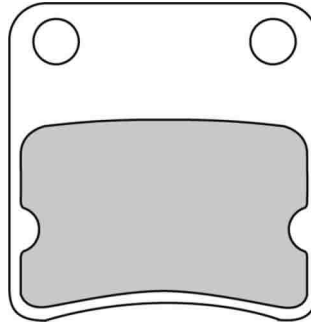
APRILIA, BETA, FANTIC, GARELLI, KEEWAY, KSR MOTO BY GENERIC

FRONT / REAR



| MATERIAL AVAILABILITY | | | | | | | |
|-----------------------|-----|----|----|----|-----|-------|------|
| P | PRP | AG | SG | ST | CP1 | CP211 | XRAC |
| | | ✓ | | | | | |

| CROSS REFERENCE | |
|-----------------|----------|
| BREMBO | 07GR1305 |
| EBC | FA060 |
| EBC | FA127 |
| NEWFREN | .FD.0103 |
| SBS | 574 |
| VESRAH | VD 920 |
| VESRAH | VD 937 |



| MATERIAL AVAILABILITY | | | | | | | |
|-----------------------|-----|----|----|----|-----|-------|------|
| P | PRP | AG | SG | ST | CP1 | CP211 | XRAC |
| | | ✔ | | | | | |

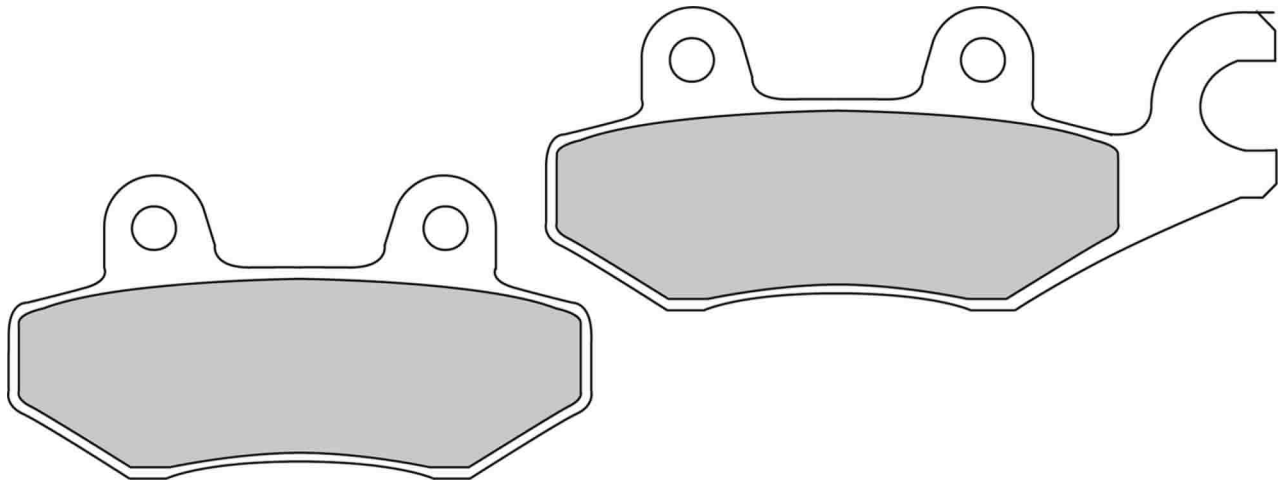
| CROSS REFERENCE | |
|-----------------|----------|
| BREMBO | 07HO3807 |
| CL BRAKES | 2408 |
| CL BRAKES | 3018 |
| CL BRAKES | 3038 |
| EBC | FA178 |
| EBC | FA257 |
| EBC | SFA257 |
| GALFER | FD 149 |
| NEWFREN | .FD.0173 |
| SBS | 670 |
| VESRAH | VD 162 |

FDB631

96.6 x 42.0 x 7.6 mm / 77.0 x 42.0 x 7.6 mm

CAGIVA, CFMOTO, CPI ATV, DAELIM, E-TON ATV, HONDA, HYOSUNG, JONWAY, KAWASAKI, KAWASAKI ATV, MODENAS, QUADZILLA, SUZUKI, SUZUKI ATV, TRIUMPH, YAMAHA, YAMAHA ATV

FRONT / REAR



| MATERIAL AVAILABILITY | | | | | | | |
|-----------------------|-----|----|----|----|-----|-------|------|
| P | PRP | AG | SG | ST | CP1 | CP211 | XRAC |
| ✓ | | ✓ | ✓ | ✓ | | | |

| EQUIVALENT OE # | |
|-----------------|---------------|
| OEM Cagiva | 8000 66785 |
| OEM Honda | 06455 KEB 900 |
| OEM Honda | 06455 KEB 901 |
| OEM Kawasaki | 43082 0081 |
| OEM Suzuki | 59100 05820 |
| OEM Suzuki | 69100 31820 |
| OEM Triumph | 2020071T0301 |
| OEM Triumph | T2020560 |
| OEM Triumph | T2020555 |
| OEM Yamaha | 3LD W0045 10 |
| OEM Yamaha | 3LD W0046 01 |

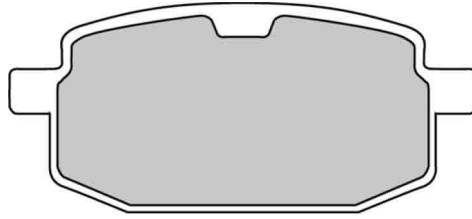
| CROSS REFERENCE | |
|-----------------|----------|
| BREMBO | 07YA2008 |
| CL BRAKES | 2326 |
| CL BRAKES | 3036 |
| EBC | FA165 |
| GALFER | FD 117 |
| LUCAS | MCB64LF |
| NEWFREN | .FD.0163 |
| SBS | 633 |
| SBS | 638 |
| VESRAH | VD 250 |

FDB636

61.0 x 27.0 x 7.3 mm

ADLY, BETA, BS VILLA, FANTIC, GARELLI, ITALJET, MALAGUTI, MBK, PEUGEOT, PGO, SINNIS, YAMAHA

FRONT / REAR



| MATERIAL AVAILABILITY | | | | | | | |
|-----------------------|-----|----|----|----|-----|-------|------|
| P | PRP | AG | SG | ST | CP1 | CP211 | XRAC |
| ✓ | | ✓ | | | | | |

| EQUIVALENT OE # | |
|-----------------|--------------|
| OEM Yamaha | 5JU W0045 00 |

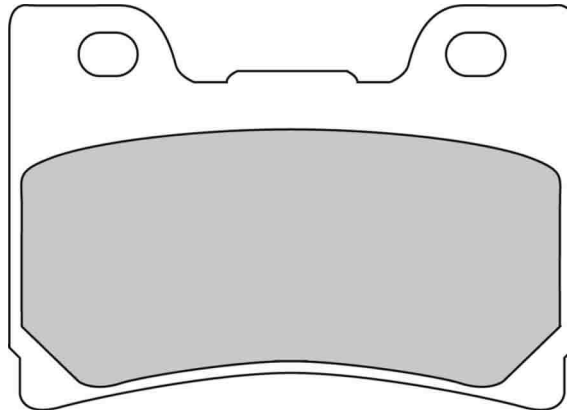
| CROSS REFERENCE | |
|-----------------|----------|
| BREMBO | 07YA3006 |
| CL BRAKES | 2696 |
| CL BRAKES | 3029 |
| CL BRAKES | 3030 |
| EBC | FA169 |
| EBC | SFA169 |
| GALFER | FD 136 |
| NEWFREN | .FD.0175 |
| SBS | 619 |
| VESRAH | VD 247 |

FDB637

75.0 x 54.0 x 10.9 mm

YAMAHA

FRONT

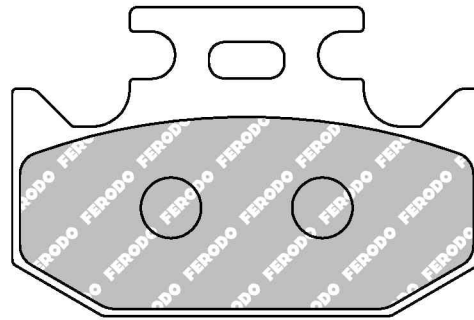


| ALSO AVAILABLE | | |
|----------------|--------|-------|
| SHAPE | TH. MM | NOTES |
| FDB666 | 10.9 | |

| MATERIAL AVAILABILITY | | | | | | | |
|-----------------------|-----|----|----|----|-----|-------|------|
| P | PRP | AG | SG | ST | CP1 | CP211 | XRAC |
| ✓ | | | | ✓ | | | |

| EQUIVALENT OE # | |
|-----------------|--------------|
| OEM Yamaha | 3GM W0045 60 |

| CROSS REFERENCE | |
|-----------------|----------|
| BREMBO | 07YA2609 |
| CL BRAKES | 2309 |
| EBC | FA182 |
| GALFER | FD 143 |
| LUCAS | MCB642 |
| NEWFREN | .FD.0176 |
| SBS | 665 |
| VESRAH | VD 257 |



| ALSO AVAILABLE | | |
|----------------|--------|-------|
| SHAPE | TH. MM | NOTES |
| FDB2270 | 7.1 | |

| MATERIAL AVAILABILITY | | | | | | | |
|-----------------------|-----|----|----|----|-----|-------|------|
| P | PRP | AG | SG | ST | CP1 | CP211 | XRAC |
| ✓ | | | ✓ | | | | |

| EQUIVALENT OE # | |
|-----------------|--------------|
| OEM Kawasaki | 43082 1137 |
| OEM Kawasaki | 43082 1090 |
| OEM Kawasaki | 43082 1151 |
| OEM Kawasaki | 43082 1131 |
| OEM Kawasaki | 43082 1118 |
| OEM Suzuki | 69100 43820 |
| OEM Suzuki | 69100 43841 |
| OEM Suzuki | 69100 43860 |
| OEM Suzuki | 69100 43851 |
| OEM Suzuki | 69100 32830 |
| OEM Suzuki | 69140 27C10 |
| OEM Suzuki | 69140 27C00 |
| OEM Suzuki | 69140 28C00 |
| OEM Yamaha | 1D4 F5742 00 |
| OEM Yamaha | 4DA W0046 00 |
| OEM Yamaha | 4GY W0046 00 |
| OEM Yamaha | 3XJ W0046 00 |
| OEM Yamaha | 4EW W0046 00 |
| OEM Yamaha | 3XP W0046 00 |
| OEM Yamaha | 3SP W0046 00 |

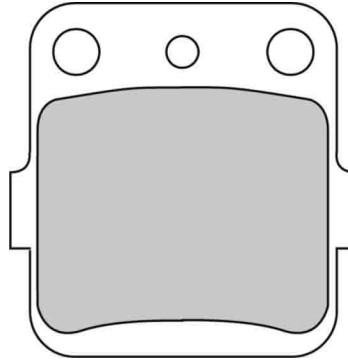
| CROSS REFERENCE | |
|-----------------|---------------|
| BREMBO | 07KA1207 |
| CL BRAKES | 2299 |
| EBC | FA152 |
| GALFER | FD 114 |
| NEWFREN | .FD.0144 |
| SBS | 632 |
| SBS | 648 |
| VESRAH | VD 432 /432/2 |

FDB661

46.0 x 45.0 x 6.5 mm

HONDA, HUSQVARNA, KAWASAKI, KAWASAKI ATV, SUZUKI, SUZUKI ATV, TM, YAMAHA

FRONT / REAR



| MATERIAL AVAILABILITY | | | | | | | |
|-----------------------|-----|----|----|----|-----|-------|------|
| P | PRP | AG | SG | ST | CP1 | CP211 | XRAC |
| ✓ | | | ✓ | | | | |

| EQUIVALENT OE # | |
|-----------------|--------------|
| OEM Suzuki | 69140 19A01 |
| OEM Suzuki | 69140 26C00 |
| OEM Yamaha | 5PA W0046 50 |
| OEM Yamaha | 3JD W0046 00 |
| OEM Yamaha | 4ES W0046 50 |

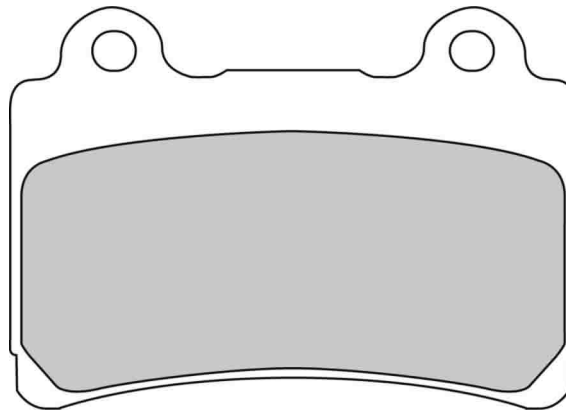
| CROSS REFERENCE | |
|-----------------|----------|
| BREMBO | 07HO2202 |
| CL BRAKES | 2328 |
| EBC | FA084/3 |
| GALFER | FD 299 |
| NEWFREN | .FD.0123 |
| SBS | 584 |
| VESRAH | VD 127 |

FDB662

75.0 x 54.0 x 8.8 mm

YAMAHA

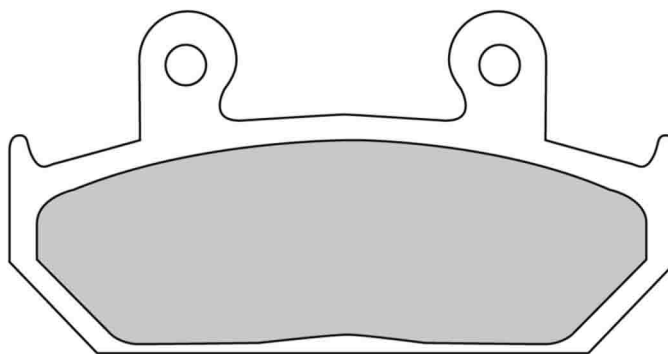
FRONT



| MATERIAL AVAILABILITY | | | | | | | |
|-----------------------|-----|----|----|----|-----|-------|------|
| P | PRP | AG | SG | ST | CP1 | CP211 | XRAC |
| ✓ | | | | ⚠ | | | |

| EQUIVALENT OE # | |
|-----------------|--------------|
| OEM Yamaha | 4NK W0045 00 |
| OEM Yamaha | 4NK W0046 00 |
| OEM Yamaha | 4NK W0045 01 |
| OEM Yamaha | 3GM W0045 03 |

| CROSS REFERENCE | |
|-----------------|----------|
| BREMBO | 07YA3507 |
| CL BRAKES | 2253 |
| EBC | FA123 |
| LUCAS | MCB584 |
| NEWFREN | .FD.0177 |
| SBS | 613 |
| VESRAH | VD 257 |

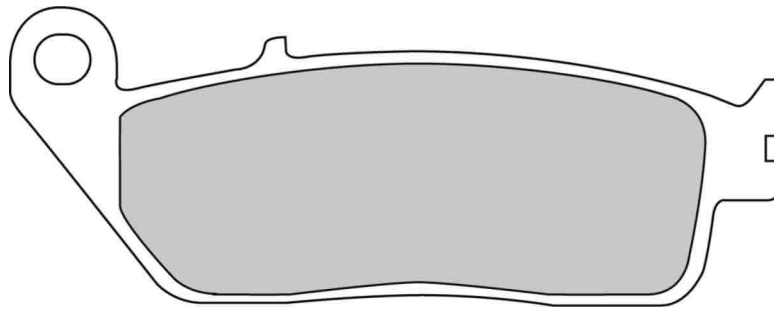


| ALSO AVAILABLE | | |
|----------------|--------|-------|
| SHAPE | TH. MM | NOTES |
| FDB452 | 8.5 | |

| MATERIAL AVAILABILITY | | | | | | | |
|-----------------------|-----|----|----|----|-----|-------|------|
| P | PRP | AG | SG | ST | CP1 | CP211 | XRAC |
| ✓ | | | | ✓ | | | |

| EQUIVALENT OE # | |
|-----------------|---------------|
| OEM Cagiva | 8000 88482 |
| OEM Cagiva | 8000 66796 |
| OEM Honda | 06455 MT8 405 |
| OEM Honda | 06455 MT8 305 |
| OEM Honda | 45105 MT8 008 |

| CROSS REFERENCE | |
|-----------------|----------|
| BREMBO | 07HO3509 |
| CL BRAKES | 2248 |
| EBC | FA124/2 |
| GALFER | FD 082 |
| LUCAS | MCB624 |
| NEWFREN | .FD.0105 |
| SBS | 647 |
| VESRAH | VD 143/2 |

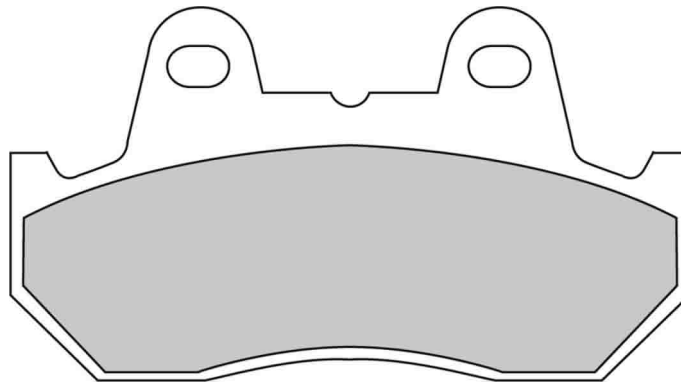


| ALSO AVAILABLE | | |
|----------------|--------|-------|
| SHAPE | TH. MM | NOTES |
| FDB2225 | 10.0 | |
| FDB570 | 8.3 | |

| MATERIAL AVAILABILITY | | | | | | | |
|-----------------------|-----|----|----|----|-----|-------|------|
| P | PRP | AG | SG | ST | CP1 | CP211 | XRAC |
| ✓ | | | | ✓ | | | |

| EQUIVALENT OE # | |
|-----------------|---------------|
| OEM Honda | 06455 MAB 405 |
| OEM Honda | 06455 MAW 621 |
| OEM Honda | 43105 MY7 405 |
| OEM Honda | 43105 ML7 923 |
| OEM Honda | 43106 ML7 923 |
| OEM Honda | 06435 MZ0 760 |
| OEM Honda | 06435 MZ0 006 |
| OEM Triumph | T2020077 |
| OEM Yamaha | 1S6 W0045 00 |

| CROSS REFERENCE | |
|-----------------|----------|
| BRAKING | 720 |
| BREMBO | 07HO4108 |
| CL BRAKES | 2313 |
| EBC | FA196 |
| EBC | FA226 |
| GALFER | FD 112 |
| LUCAS | MCB677 |
| NEWFREN | .FD.0130 |
| SBS | 630 |
| SBS | 700 |
| VESRAH | VD 156/2 |



| ALSO AVAILABLE | | |
|----------------|--------|-------|
| SHAPE | TH. MM | NOTES |
| FDB244 | 10.0 | |
| FDB538 | 9.0 | |

| MATERIAL AVAILABILITY | | | | | | | |
|-----------------------|-----|----|----|----|-----|-------|------|
| P | PRP | AG | SG | ST | CP1 | CP211 | XRAC |
| ✓ | | | | ✓ | | | |

| EQUIVALENT OE # | |
|-----------------|---------------|
| OEM Honda | 43105 MB6 018 |
| OEM Honda | 06435 MT8 405 |
| OEM Honda | 43105 MT8 008 |

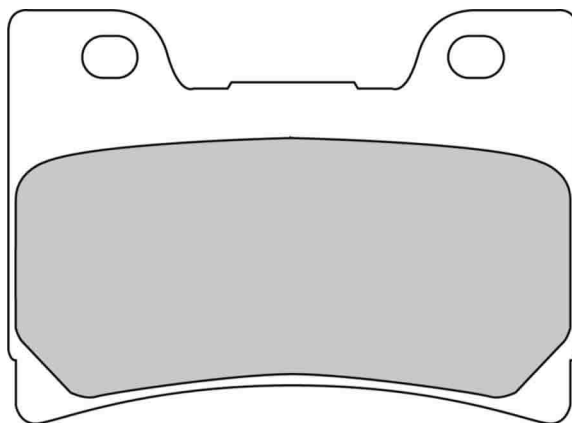
| CROSS REFERENCE | |
|-----------------|----------|
| BREMBO | 07HO1010 |
| CL BRAKES | 2289 |
| EBC | FA069/3 |
| GALFER | FD 054 |
| LUCAS | MCB512 |
| NEWFREN | .FD.0084 |
| SBS | 542 |
| VESRAH | VD 123 |
| VESRAH | VD 132 |

FDB666

75.0 x 55.0 x 10.9 mm

YAMAHA

FRONT



| ALSO AVAILABLE | | |
|----------------|--------|-------|
| SHAPE | TH. MM | NOTES |
| FDB637 | 10.9 | |

| MATERIAL AVAILABILITY | | | | | | | |
|-----------------------|-----|----|----|----|-----|-------|------|
| P | PRP | AG | SG | ST | CP1 | CP211 | XRAC |
| ✓ | | | | ✓ | | | |

| EQUIVALENT OE # | |
|-----------------|--------------|
| OEM Yamaha | 36M W0045 02 |
| OEM Yamaha | 3GM W0045 02 |
| OEM Yamaha | 3GM W0045 01 |

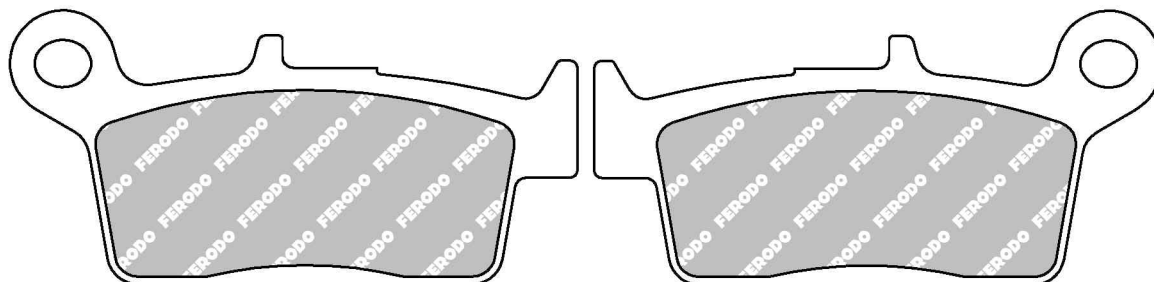
| CROSS REFERENCE | |
|-----------------|----------|
| BREMBO | 07YA2409 |
| CL BRAKES | 2311 |
| EBC | FA160 |
| GALFER | FD 121 |
| LUCAS | MCB622 |
| NEWFREN | .FD.0191 |
| SBS | 572 |
| SBS | 645 |
| VESRAH | VD 251 |

FDB672

75.1 x 36.1 x 9.1 mm

HERCULES (SACHS), HONDA, KYMCO, PEUGEOT

FRONT



| ALSO AVAILABLE | | |
|----------------|--------|-------|
| SHAPE | TH. MM | NOTES |
| FDB539 | 9.7 | |
| FDB783 | 7.6 | |

| MATERIAL AVAILABILITY | | | | | | | |
|-----------------------|-----|----|----|----|-----|-------|------|
| P | PRP | AG | SG | ST | CP1 | CP211 | XRAC |
| | | ✓ | | | | | |

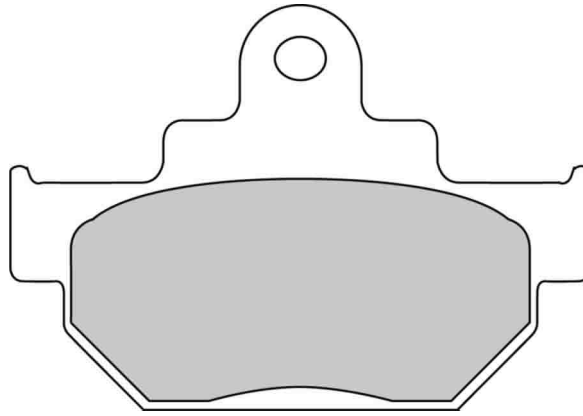
| CROSS REFERENCE | |
|-----------------|----------|
| BREMBO | 7011 |
| CL BRAKES | 2314 |
| CL BRAKES | 3014 |
| EBC | FA131/3 |
| EBC | FA233 |
| EBC | SFA131/3 |
| EBC | SFA233 |
| GALFER | FD 144 |
| NEWFREN | .FD.0192 |
| SBS | 690 |
| VESRAH | VD 144/2 |

FDB673

77.0 x 54.0 x 9.4 mm

APRILIA, SUZUKI

FRONT



| MATERIAL AVAILABILITY | | | | | | | |
|-----------------------|-----|----|----|----|-----|-------|------|
| P | PRP | AG | SG | ST | CP1 | CP211 | XRAC |
| ✓ | | | | | | | |

| EQUIVALENT OE # | |
|-----------------|-------------|
| OEM Suzuki | 59300 24830 |

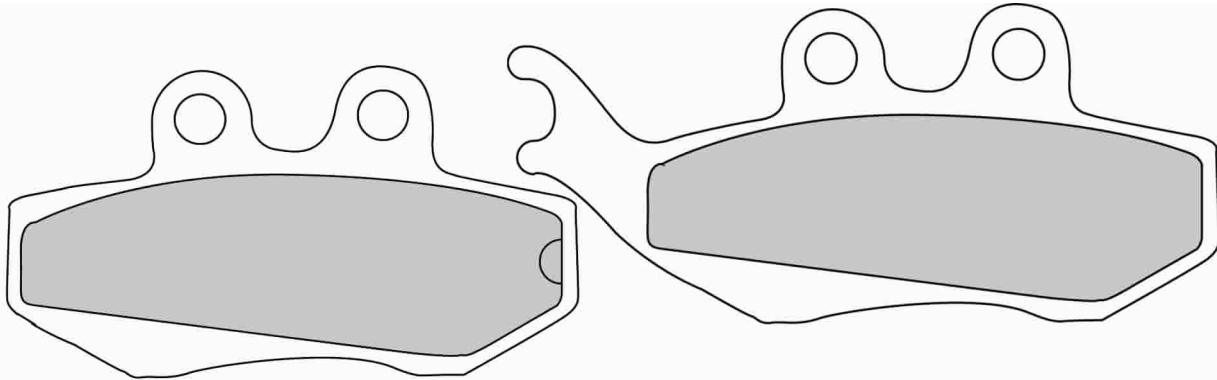
| CROSS REFERENCE | |
|-----------------|---------------|
| BREMBO | 07SU0808 |
| CL BRAKES | 2386 |
| EBC | FA106/2 |
| GALFER | FD 070 |
| LUCAS | MCB551 |
| NEWFREN | .FD.0095 |
| SBS | 582 |
| VESRAH | VD 329 /329/2 |

FDB677

94.0 x 42.0 x 7.5 mm / 77.0 x 42.0 x 7.5 mm

APRILIA, BENELLI, BETA, GASGAS, GILERA, HONDA, HONDA-HM ITALIA, PEUGEOT, PIAGGIO, RIEJU, SACHS, YAMAHA

FRONT / REAR



| ALSO AVAILABLE | | |
|----------------|--------|-------|
| SHAPE | TH. MM | NOTES |
| FDB2106 | 7.6 | |

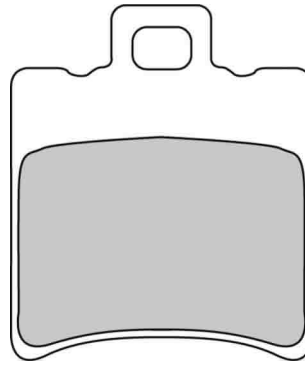
| MATERIAL AVAILABILITY | | | | | | | |
|-----------------------|-----|----|----|----|-----|-------|------|
| P | PRP | AG | SG | ST | CP1 | CP211 | XRAC |
| ✓ | | ✓ | | | | | |

| EQUIVALENT OE # | |
|-----------------|-------------|
| OEM Derbi | 00H04703141 |
| OEM Piaggio | 494628 |

| CROSS REFERENCE | |
|-----------------|----------|
| BREMBO | 7012 |
| CL BRAKES | 3031 |
| CL BRAKES | 3032 |
| EBC | FA194 |
| GALFER | FD 162 |
| GALFER | FD 297 |
| NEWFREN | .FD.0195 |
| SBS | 689 |

APRILIA, ATALA, BENELLI, BETA, CAGIVA, DERBI, GILERA, HERCULES (SACHS), HONDA, HYOSUNG, ITALJET, KEEWAY, KSR MOTO BY GENERIC, KTM, MACAL, MALAGUTI, MBK, PEUGEOT, PGO, PIAGGIO, RIZZATO, SUZUKI, YAMAHA

FRONT / REAR



| MATERIAL AVAILABILITY | | | | | | | |
|-----------------------|-----|----|----|----|-----|-------|------|
| P | PRP | AG | SG | ST | CP1 | CP211 | XRAC |
| | | ✔ | | ✔ | | | |

| EQUIVALENT OE # | |
|-----------------|---------------|
| OEM Aprilia | 8113064 |
| OEM Aprilia | 8213245 |
| OEM Aprilia | 8113663 |
| OEM Aprilia | 8213318 |
| OEM Aprilia | 8113678 |
| OEM Aprilia | 8213197 |
| OEM Aprilia | 8213571 |
| OEM Aprilia | 8213192 |
| OEM Aprilia | 8113638 |
| OEM Aprilia | 8113644 |
| OEM Benelli | R43420091A0 |
| OEM Benelli | R44420041A0 |
| OEM Beta | 2525370000 |
| OEM Beta | 2525240000 |
| OEM Gilera | 647172 |
| OEM Gilera | 647171 |
| OEM Gilera | 498408 |
| OEM Honda | 06455 GBY 910 |
| OEM Honda | 06455 GBM 750 |
| OEM Malagutti | 11943900 |
| OEM Malagutti | 11950200 |
| OEM Suzuki | 59300 35810 |
| OEM Suzuki | 59300 09820 |
| OEM Yamaha | 5ME F5811 00 |
| OEM Yamaha | 5MF F5811 00 |
| OEM Yamaha | 5WW F5811 20 |
| OEM Yamaha | 5RW F5811 00 |
| OEM Yamaha | 4VV F5811 00 |

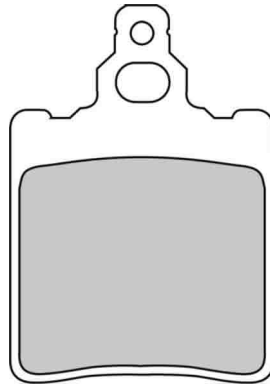
| CROSS REFERENCE | |
|-----------------|----------|
| BREMBO | 07BB1710 |
| CL BRAKES | 2307 |
| CL BRAKES | 3013 |
| EBC | FA193 |
| EBC | SFA193 |
| GALFER | FD 153 |
| NEWFREN | .FD.0196 |
| SBS | 697 |
| SBS | 725 |
| SBS | 771 |
| VESRAH | VD 948 |

FDB694

35.0 x 52.0 x 6.0 mm

APRILIA, BETA, CAGIVA, DERBI, FANTIC, GARELLI, GILERA, HRD, KTM, LAVERDA, MALANCA, PUCH

FRONT / REAR



| MATERIAL AVAILABILITY | | | | | | | |
|-----------------------|-----|----|----|----|-----|-------|------|
| P | PRP | AG | SG | ST | CP1 | CP211 | XRAC |
| ✓ | | ✓ | ✓ | ✓ | | | |

| EQUIVALENT OE # | |
|-----------------|-------------|
| OEM KTM | 46013090000 |

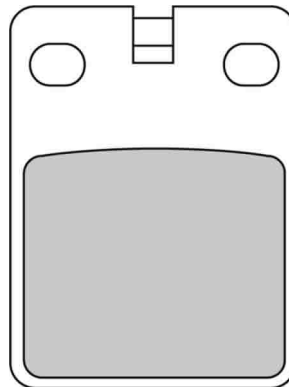
| CROSS REFERENCE | |
|-----------------|----------|
| BREMBO | 07BB1310 |
| CL BRAKES | 3037 |
| EBC | FA060 |
| GALFER | FD 048 |
| NEWFREN | .FD.0048 |
| SBS | 574 |
| VESRAH | VD 920 |

FDB695

37.8 x 51.1 x 7.0 mm

APRILIA, BETA, HONDA, LAVERDA, MOTO MORINI

FRONT / REAR



| MATERIAL AVAILABILITY | | | | | | | |
|-----------------------|-----|----|----|----|-----|-------|------|
| P | PRP | AG | SG | ST | CP1 | CP211 | XRAC |
| ✗ | | | | | | | |

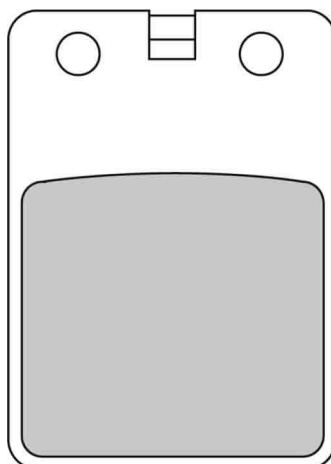
| CROSS REFERENCE | |
|-----------------|----------|
| BREMBO | 07GR1101 |
| EBC | FA074 |
| GALFER | FD 116 |
| NEWFREN | .FD.0049 |
| SBS | 606 |

FDB696

43.6 x 64.6 x 7.0 mm

FANTIC, GARELLI, GILERA, MOTO MORINI, PUCH

FRONT



| MATERIAL AVAILABILITY | | | | | | | |
|-----------------------|-----|----|----|----|-----|-------|------|
| P | PRP | AG | SG | ST | CP1 | CP211 | XRAC |
| | | ⚠ | | | | | |

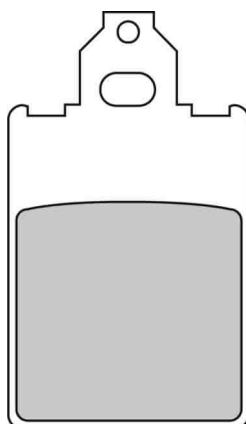
| CROSS REFERENCE | |
|-----------------|----------|
| BREMBO | 07GR1001 |
| EBC | FA098 |
| LUCAS | MCB576 |
| NEWFREN | .FD.0069 |
| SBS | 605 |
| VESRAH | VD 930 |

FDB697

32.0 x 57.0 x 5.5 mm

ACCOSSATO, APRILIA, ATK (USA), BETA, DERBI, FANTIC, GARELLI, GILERA, KTM, MALAGUTI, MBK, PIAGGIO, RIZZATO, TOMOS, YAMAHA

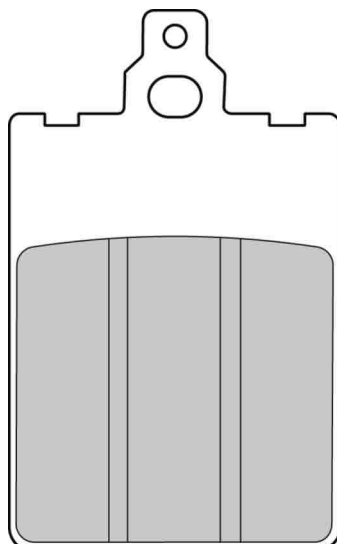
FRONT / REAR



| MATERIAL AVAILABILITY | | | | | | | |
|-----------------------|-----|----|----|----|-----|-------|------|
| P | PRP | AG | SG | ST | CP1 | CP211 | XRAC |
| | | ✓ | | | | | |

| CROSS REFERENCE | |
|-----------------|----------|
| BREMBO | 07GR0601 |
| CL BRAKES | 3004 |
| EBC | FA116 |
| GALFER | FD 084 |
| NEWFREN | .FD.0098 |
| SBS | 607 |
| VESRAH | VD 937 |

| EQUIVALENT OE # | |
|-----------------|--------------|
| OEM Yamaha | 5BK F5811 00 |

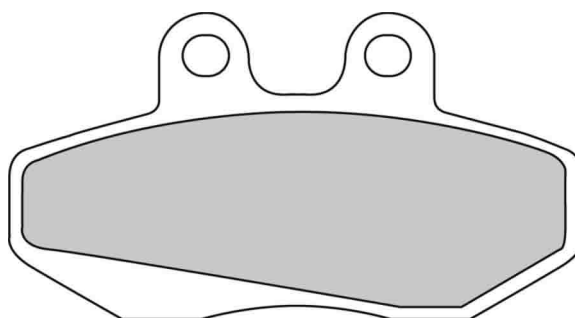


| MATERIAL AVAILABILITY | | | | | | | |
|-----------------------|-----|----|----|----|-----|-------|------|
| P | PRP | AG | SG | ST | CP1 | CP211 | XRAC |
| ✓ | | | | | | | |

| CROSS REFERENCE | |
|-----------------|----------|
| BREMBO | 07GR0705 |
| NEWFREN | .FD.0099 |

APRILIA, BETA, BULTACO, CAGIVA, DERBI, HUSQVARNA, PEUGEOT, RIEJU, SACHS, SHERCO

FRONT / REAR



| MATERIAL AVAILABILITY | | | | | | | |
|-----------------------|-----|----|----|----|-----|-------|------|
| P | PRP | AG | SG | ST | CP1 | CP211 | XRAC |
| ✓ | | | | | | | |

| CROSS REFERENCE | |
|-----------------|----------|
| BREMBO | 07GR1406 |
| CL BRAKES | 1144 |
| EBC | FA167 |
| GALFER | FD 133 |
| LUCAS | MCB629 |
| NEWFREN | .FD.0162 |
| SBS | 652 |

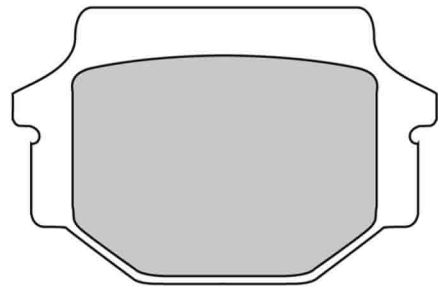
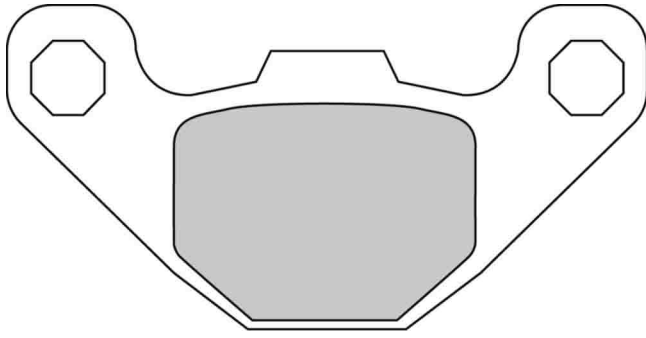
| EQUIVALENT OE # | |
|-----------------|---------|
| OEM Aprilia | 8113478 |

FDB731

84.0 x 43.0 x 6.1 mm / 55.5 x 37.0 x 8.4 mm

APRILIA, DERBI, FANTIC, KRAM IT, MALAGUTI

FRONT / REAR



| MATERIAL AVAILABILITY | | | | | | | |
|-----------------------|-----|----|----|----|-----|-------|------|
| P | PRP | AG | SG | ST | CP1 | CP211 | XRAC |
| ✓ | | | | | | | |

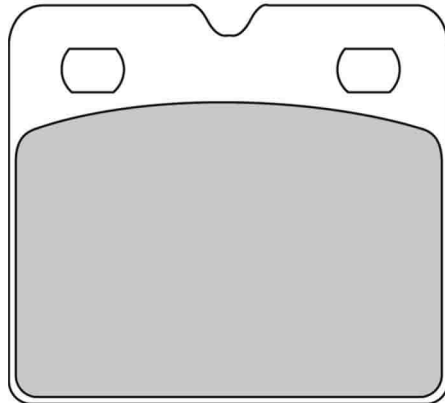
| CROSS REFERENCE | |
|-----------------|----------|
| BREMBO | 07BB0708 |
| CL BRAKES | 2466 |
| EBC | FA067/2 |
| LUCAS | MCB667 |
| NEWFREN | .FD.0071 |
| SBS | 541 |

FDB736

57.8 x 53.4 x 9.0 mm

BMW, QUADZILLA

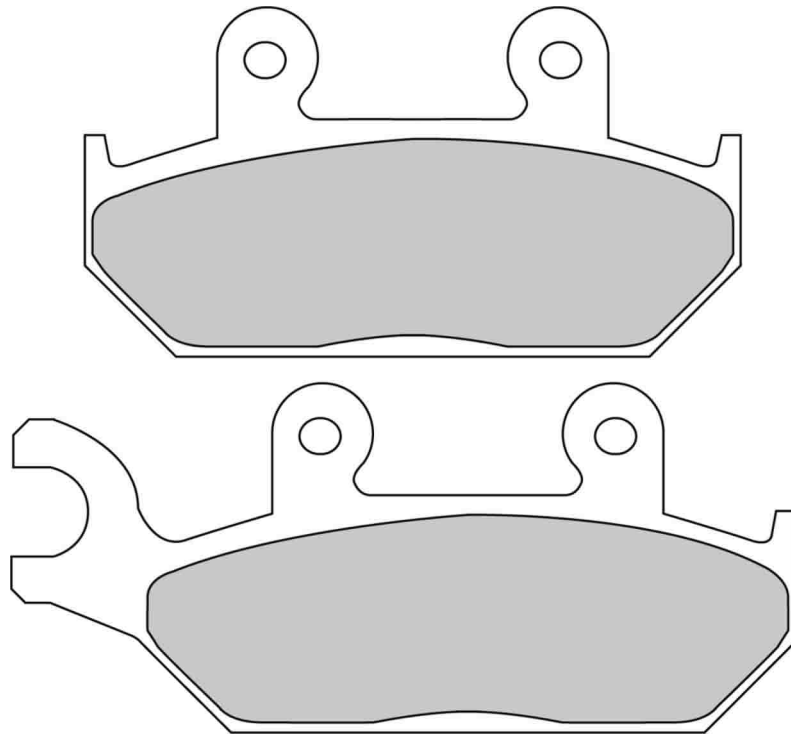
FRONT / REAR



| MATERIAL AVAILABILITY | | | | | | | |
|-----------------------|-----|----|----|----|-----|-------|------|
| P | PRP | AG | SG | ST | CP1 | CP211 | XRAC |
| ✓ | | | | ✓ | | | |

| EQUIVALENT OE # | |
|-----------------|-----------------|
| OEM BMW | 34 11 2 314 546 |

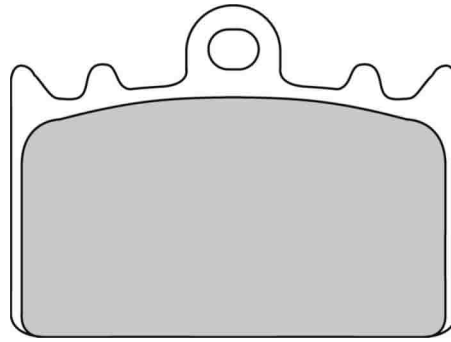
| CROSS REFERENCE | |
|-----------------|----------|
| BREMBO | 07BB2107 |
| CL BRAKES | 2258 |
| EBC | FA171 |
| GALFER | FD 137 |
| LUCAS | MCB617 |
| NEWFREN | .FD.0169 |
| SBS | 640 |
| VESRAH | VD 934 |



| MATERIAL AVAILABILITY | | | | | | | |
|-----------------------|-----|----|----|----|-----|-------|------|
| P | PRP | AG | SG | ST | CP1 | CP211 | XRAC |
| ✓ | | | | | | | |

| EQUIVALENT OE # | |
|-----------------|--------------|
| OEM Yamaha | 3YF W0045 00 |
| OEM Yamaha | 3TB W0045 00 |
| OEM Yamaha | 4PT W0045 00 |

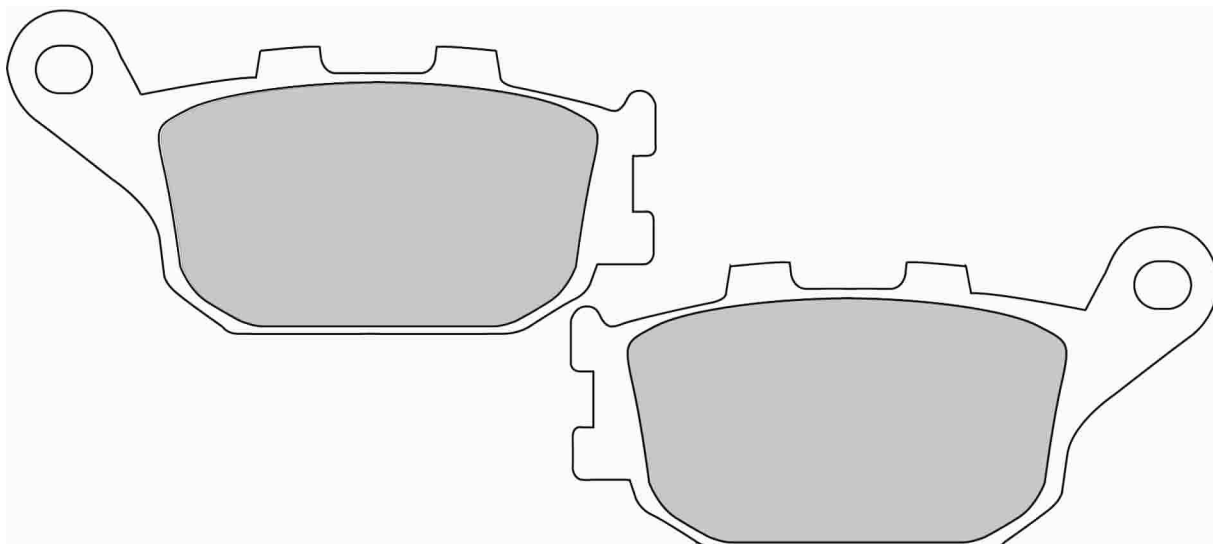
| CROSS REFERENCE | |
|-----------------|----------|
| BREMBO | 07YA2508 |
| CL BRAKES | 2360 |
| EBC | FA172 |
| GALFER | FD 129 |
| LUCAS | MCB627 |
| NEWFREN | .FD.0167 |
| SBS | 650 |
| VESRAH | VD 252 |



| MATERIAL AVAILABILITY | | | | | | | |
|-----------------------|-----|----|----|----|-----|-------|------|
| P | PRP | AG | SG | ST | CP1 | CP211 | XRAC |
| ✓ | | | | | | | |

| EQUIVALENT OE # | |
|-----------------|------------|
| OEM Kawasaki | 43082 1130 |
| OEM Kawasaki | 43082 1112 |

| CROSS REFERENCE | |
|-----------------|----------|
| BREMBO | 07KA1406 |
| CL BRAKES | 2363 |
| EBC | FA180 |
| GALFER | FD 141 |
| LUCAS | MCB643 |
| NEWFREN | .FD.0185 |
| SBS | 666 |
| VESRAH | VD 433 |



| MATERIAL AVAILABILITY | | | | | | | |
|-----------------------|-----|----|----|----|-----|-------|------|
| P | PRP | AG | SG | ST | CP1 | CP211 | XRAC |
| ✓ | | | | ✓ | | | |

| CROSS REFERENCE | |
|-----------------|----------|
| BREMBO | 07HO3607 |
| CL BRAKES | 2296 |
| EBC | FA174 |
| GALFER | FD 134 |
| LUCAS | MCB634LF |
| NEWFREN | .FD.0172 |
| SBS | 657 |
| SBS | 753 |
| VESRAH | VD 163 |

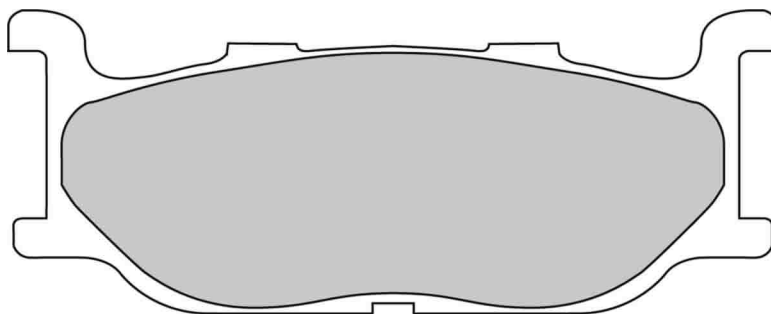
| EQUIVALENT OE # | |
|-----------------|---------------|
| OEM Honda | 06435 MFG D01 |
| OEM Honda | 06435 MFG D02 |
| OEM Honda | 43105 MW0 415 |
| OEM Honda | 06435 MFG D02 |
| OEM Honda | 06435 MEJ 016 |
| OEM Honda | 06435 KFK 006 |
| OEM Honda | 06435 KFK 016 |
| OEM Honda | 06435 MEE 016 |
| OEM Honda | 43106 MV9 008 |
| OEM Honda | 43105 MW0 405 |
| OEM Honda | 43105 MW0 415 |
| OEM Honda | 43105 MV9 008 |
| OEM Kawasaki | 43082 0073 |
| OEM Suzuki | 69100 06830 |
| OEM Suzuki | 69100 04820 |
| OEM Suzuki | 69100 16851 |
| OEM Suzuki | 69101 44850 |
| OEM Yamaha | 5SL W0046 00 |
| OEM Yamaha | 5VX W0046 00 |

FDB781

102.0 x 41.0 x 10.0 mm

CFMOTO, YAMAHA

FRONT



| MATERIAL AVAILABILITY | | | | | | | |
|-----------------------|-----|----|----|----|-----|-------|------|
| P | PRP | AG | SG | ST | CP1 | CP211 | XRAC |
| ✓ | | | | ✓ | | | |

| EQUIVALENT OE # | |
|-----------------|--------------|
| OEM Yamaha | 4WM W0045 00 |
| OEM Yamaha | 5BN W0045 00 |
| OEM Yamaha | 4KM W0045 00 |
| OEM Yamaha | 4BP W0045 00 |
| OEM Yamaha | 3LP W0045 00 |
| OEM Yamaha | 5S7 W0045 00 |

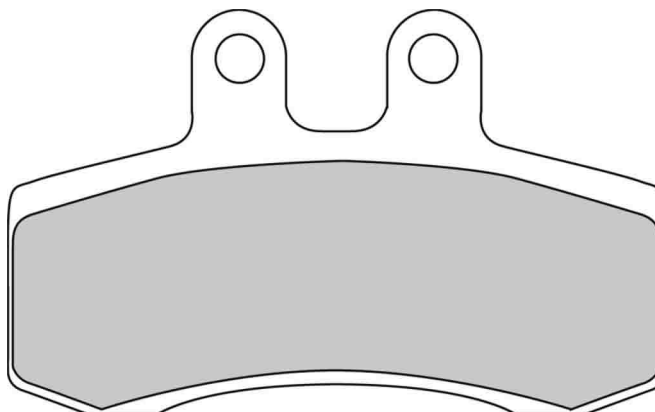
| CROSS REFERENCE | |
|-----------------|----------|
| BREMBO | 07YA2709 |
| CL BRAKES | 2391 |
| EBC | FA179 |
| GALFER | FD 142 |
| LUCAS | MCB64 |
| NEWFREN | .FD.0183 |
| SBS | 663 |
| VESRAH | VD 255 |

FDB782

87.4 x 53.1 x 7.6 mm

APRILIA, MZ

FRONT



| MATERIAL AVAILABILITY | | | | | | | |
|-----------------------|-----|----|----|----|-----|-------|------|
| P | PRP | AG | SG | ST | CP1 | CP211 | XRAC |
| ✓ | | | | | | | |

| EQUIVALENT OE # | |
|-----------------|------------|
| OEM Aprilia | 8113456 |
| OEM MZ | 9022001000 |

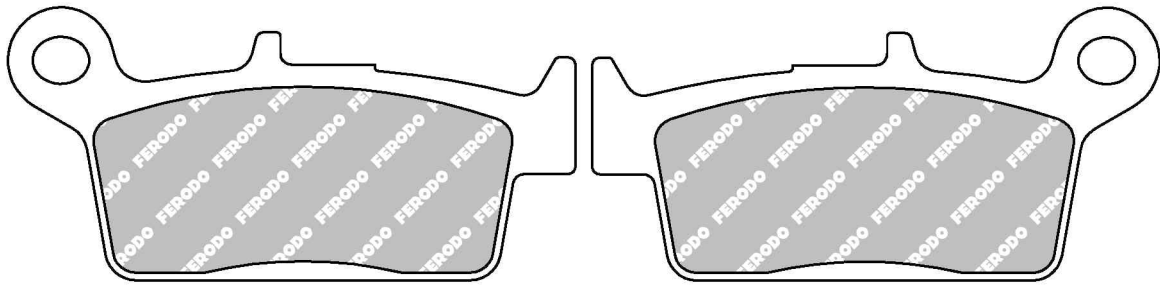
| CROSS REFERENCE | |
|-----------------|----------|
| BREMBO | 07GR2106 |
| EBC | FA177 |
| GALFER | FD 132 |
| LUCAS | MCB652 |
| NEWFREN | .FD.0171 |
| SBS | 681 |

FDB783

75.1 x 36.1 x 7.6 mm

HONDA, PEUGEOT

FRONT / REAR



| ALSO AVAILABLE | | |
|----------------|--------|-------|
| SHAPE | TH. MM | NOTES |
| FDB539 | 9.7 | |
| FDB672 | 9.1 | |

| MATERIAL AVAILABILITY | | | | | | | |
|-----------------------|-----|----|----|----|-----|-------|------|
| P | PRP | AG | SG | ST | CP1 | CP211 | XRAC |
| | | ✓ | | | | | |

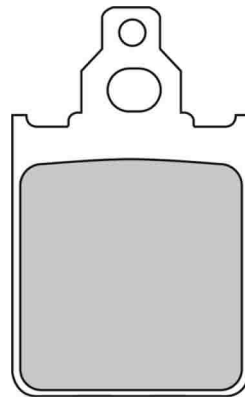
| CROSS REFERENCE | |
|-----------------|----------|
| BREMBO | 7010 |
| EBC | FA131/2 |
| EBC | SFA131/2 |
| GALFER | FD 147 |
| NEWFREN | .FD.0178 |
| SBS | 673 |
| VESRAH | VD 144 |

FDB784

31.7 x 51.1 x 5.6 mm

ITALJET, PIAGGIO

FRONT



| MATERIAL AVAILABILITY | | | | | | | |
|-----------------------|-----|----|----|----|-----|-------|------|
| P | PRP | AG | SG | ST | CP1 | CP211 | XRAC |
| | | ✓ | | | | | |

| EQUIVALENT OE # | |
|-----------------|------------|
| OEM Cagiva | 8000 67127 |
| OEM Piaggio | I498414 |

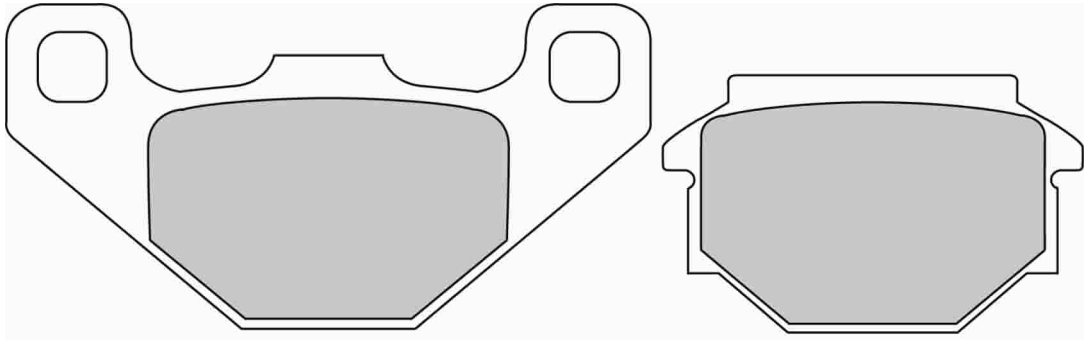
| CROSS REFERENCE | |
|-----------------|----------|
| BREMBO | 07GR2004 |
| CL BRAKES | 2260 |
| CL BRAKES | 3005 |
| EBC | FA186 |
| EBC | SFA186 |
| GALFER | FD 152 |
| NEWFREN | .FD.0194 |
| SBS | 680 |
| VESRAH | VD 949 |

FDB828

85.0 x 42.7 x 7.5 mm / 56.0 x 34.5 x 9.8 mm

APRILIA, BETA, CAGIVA, FANTIC, GARELLI, GILERA, HONDA, HONDA-HM ITALIA, LEM, MALAGUTI, MZ, RIEJU, SACHS, SUZUKI ATV

FRONT / REAR



| MATERIAL AVAILABILITY | | | | | | | |
|-----------------------|-----|----|----|----|-----|-------|------|
| P | PRP | AG | SG | ST | CP1 | CP211 | XRAC |
| ✓ | | | | ✓ | | | |

| EQUIVALENT OE # | |
|-----------------|------------|
| OEM Aprilia | 8113595 |
| OEM Aprilia | 8113375 |
| OEM MZ | 9022031000 |

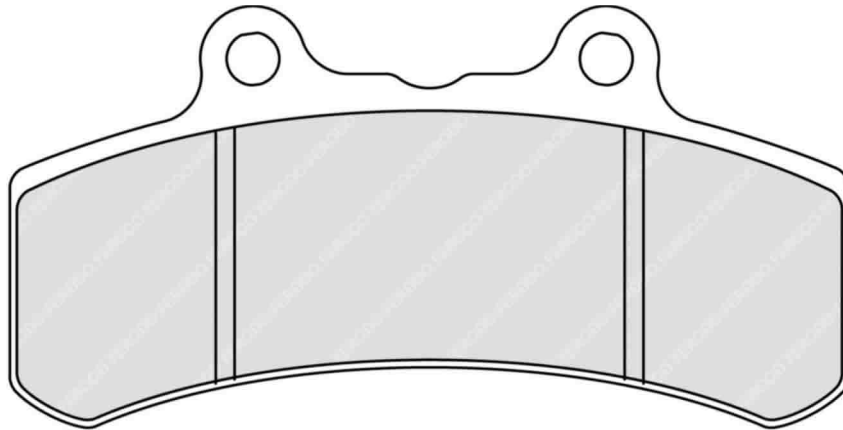
| CROSS REFERENCE | |
|-----------------|----------|
| BREMBO | 07GR0416 |
| CL BRAKES | 2472 |
| CL BRAKES | 3012 |
| CL BRAKES | 3024 |
| EBC | FA173 |
| EBC | FA382 |
| GALFER | FD 135 |
| NEWFREN | .FD.0165 |
| SBS | 684 |
| VESRAH | VD 425 |

FDB847

111.8 x 56.0 x 11.0 mm

BUELL

FRONT



| MATERIAL AVAILABILITY | | | | | | | |
|-----------------------|-----|----|----|----|-----|-------|------|
| P | PRP | AG | SG | ST | CP1 | CP211 | XRAC |
| ✓ | | | | | | | |

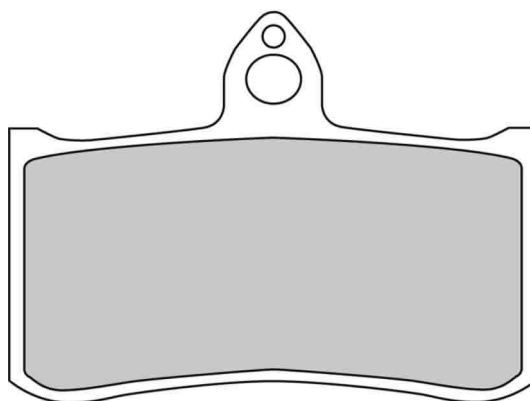
| CROSS REFERENCE | |
|-----------------|----------|
| BREMBO | 07HD1109 |
| CL BRAKES | 2369 |
| EBC | FA210 |
| NEWFREN | .FD.0270 |
| SBS | 658 |

FDB858

69.8 x 52.5 x 8.7 mm

HONDA

FRONT / REAR



| MATERIAL AVAILABILITY | | | | | | | |
|-----------------------|-----|----|----|----|-----|-------|------|
| P | PRP | AG | SG | ST | CP1 | CP211 | XRAC |
| | | | | ✓ | ✓ | | |

| EQUIVALENT OE # | |
|-----------------|---------------|
| OEM Honda | 06455 MW4 405 |

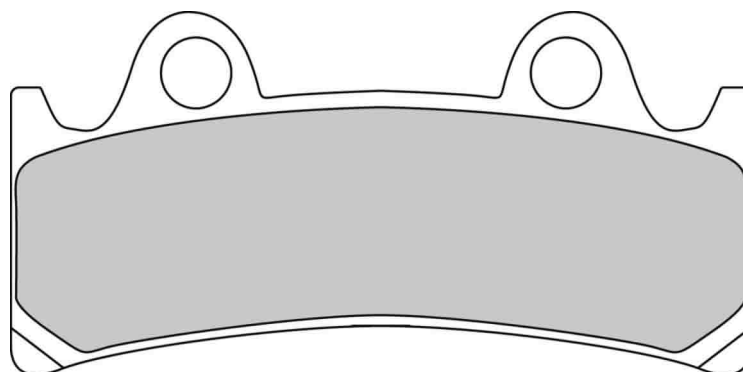
| CROSS REFERENCE | |
|-----------------|----------|
| BREMBO | 07HO2807 |
| CL BRAKES | 2245 |
| EBC | FA187 |
| EBC | FA239 |
| GALFER | FD 148 |
| LUCAS | MCB593 |
| NEWFREN | .FD.0198 |
| SBS | 622 |
| VESRAH | VD 154 |

FDB864

98.0 x 50.0 x 9.9 mm

TRIUMPH, YAMAHA

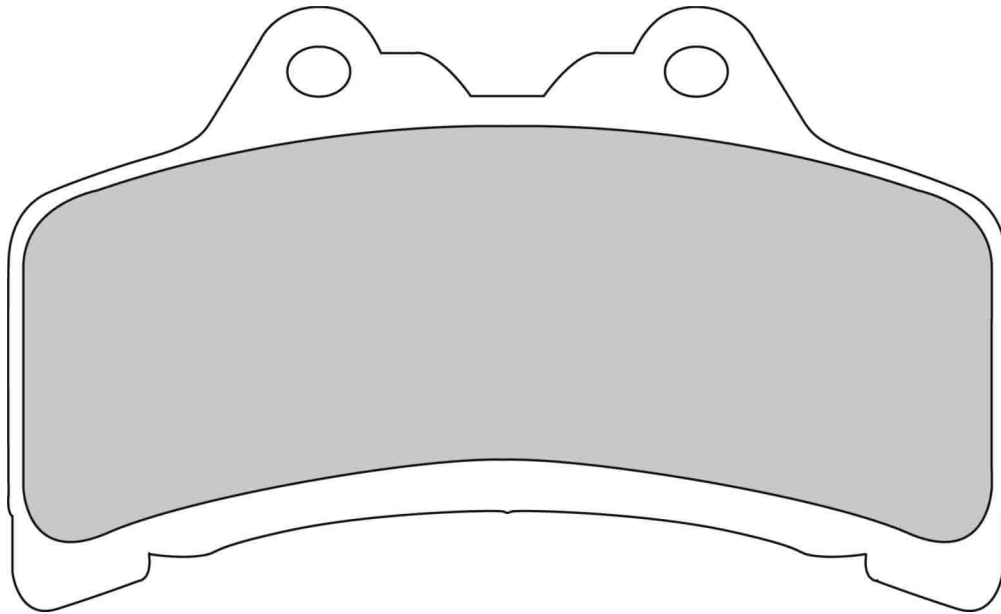
FRONT



| MATERIAL AVAILABILITY | | | | | | | |
|-----------------------|-----|----|----|----|-----|-------|------|
| P | PRP | AG | SG | ST | CP1 | CP211 | XRAC |
| ✓ | ✗ | | | ✓ | | | |

| EQUIVALENT OE # | |
|-----------------|--------------|
| OEM Triumph | T2020211 |
| OEM Yamaha | 4FM W0045 10 |
| OEM Yamaha | 4FM W0045 00 |
| OEM Yamaha | 4FM W0045 20 |
| OEM Yamaha | 4FMW004530 |

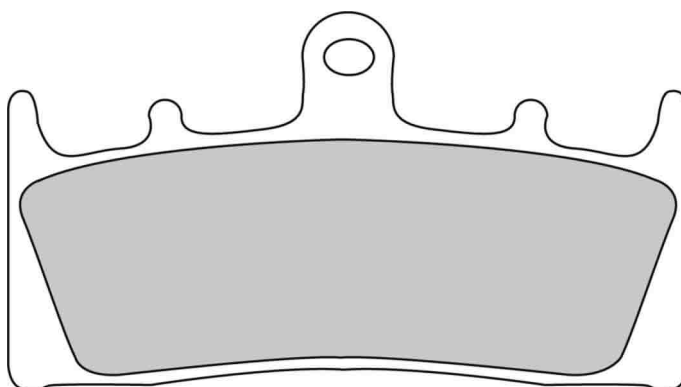
| CROSS REFERENCE | |
|-----------------|----------|
| BREMBO | 07YA3208 |
| CL BRAKES | 2254 |
| EBC | FA190 |
| GALFER | FD 157 |
| LUCAS | MCB656 |
| NEWFREN | .FD.0201 |
| SBS | 683 |
| VESRAH | VD 258 |



| MATERIAL AVAILABILITY | | | | | | | |
|-----------------------|-----|----|----|----|-----|-------|------|
| P | PRP | AG | SG | ST | CP1 | CP211 | XRAC |
| ! | | | | | | | |

| EQUIVALENT OE # | |
|-----------------|--------------|
| OEM Yamaha | 4BH W0045 01 |

| CROSS REFERENCE | |
|-----------------|----------|
| BREMBO | 07YA3108 |
| CL BRAKES | 2362 |
| EBC | FA191 |
| GALFER | FD 154 |
| LUCAS | MCB655 |
| NEWFREN | .FD.0200 |
| SBS | 682 |
| VESRAH | VD 259 |

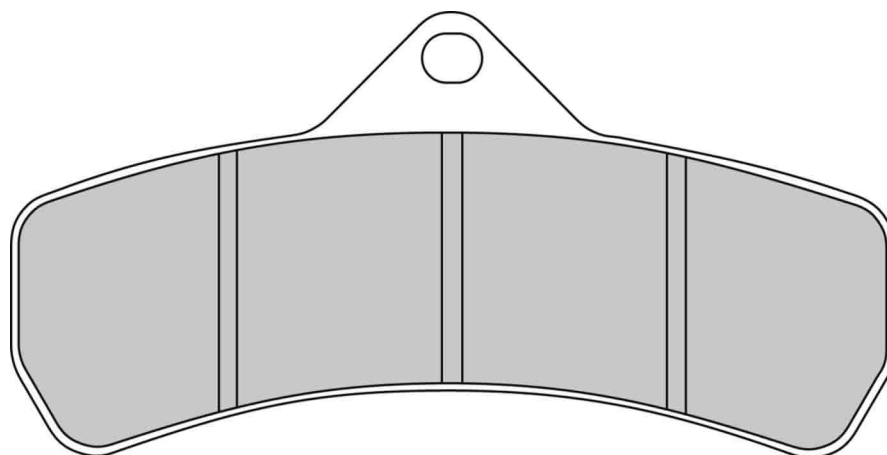


| ALSO AVAILABLE | | |
|----------------|--------|---------------------|
| SHAPE | TH. MM | NOTES |
| FDB2144 | 9.9 | Racing Applications |

| MATERIAL AVAILABILITY | | | | | | | |
|-----------------------|-----|----|----|----|-----|-------|------|
| P | PRP | AG | SG | ST | CP1 | CP211 | XRAC |
| ✓ | ✗ | | | ✓ | ✓ | | ✓ |

| EQUIVALENT OE # | |
|-----------------|-------------|
| OEM Kawasaki | 43082 1224 |
| OEM Kawasaki | 43082 1227 |
| OEM Kawasaki | 43082 1230 |
| OEM Kawasaki | 43082 1199 |
| OEM Kawasaki | 43082 1250 |
| OEM Kawasaki | 43082 1252 |
| OEM Kawasaki | 43082 1253 |
| OEM Kawasaki | 43082 1259 |
| OEM Kawasaki | 43082 1272 |
| OEM Kawasaki | 43082 1251 |
| OEM Kawasaki | 43082 1274 |
| OEM Kawasaki | 43082 1179 |
| OEM Suzuki | 59301 33890 |
| OEM Suzuki | 59130 46E00 |
| OEM Suzuki | 59300 33890 |
| OEM Suzuki | 59301 33870 |
| OEM Suzuki | 59300 46840 |

| CROSS REFERENCE | |
|-----------------|----------|
| BREMBO | 07SU1907 |
| CL BRAKES | 2255 |
| EBC | FA188 |
| GALFER | FD 156 |
| LUCAS | MCB659 |
| NEWFREN | .FD.0199 |
| SBS | 686 |
| VESRAH | VD 349 |

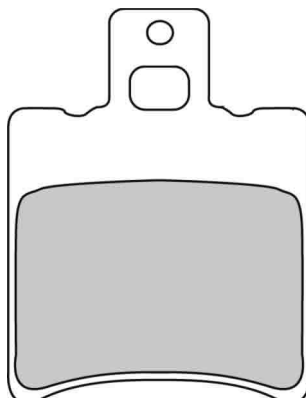


| MATERIAL AVAILABILITY | | | | | | | |
|-----------------------|-----|----|----|----|-----|-------|------|
| P | PRP | AG | SG | ST | CP1 | CP211 | XRAC |
| ✓ | | | | | | | |

| CROSS REFERENCE | |
|-----------------|----------|
| CL BRAKES | 2586 |
| NEWFREN | .FD.0204 |

APRILIA, BETA, DERBI, MBK, MONTESA, PGO, SUZUKI, YAMAHA

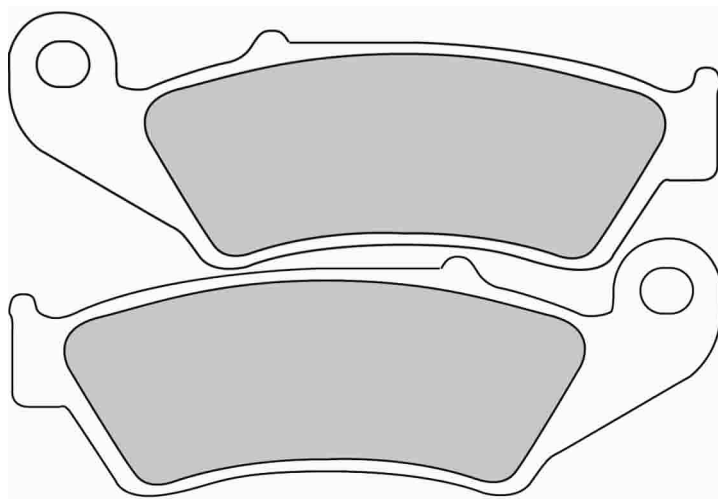
FRONT / REAR



| MATERIAL AVAILABILITY | | | | | | | |
|-----------------------|-----|----|----|----|-----|-------|------|
| P | PRP | AG | SG | ST | CP1 | CP211 | XRAC |
| | | ✓ | | ✓ | | | |

| EQUIVALENT OE # | |
|-----------------|--------------|
| OEM Yamaha | 5WW F5811 20 |

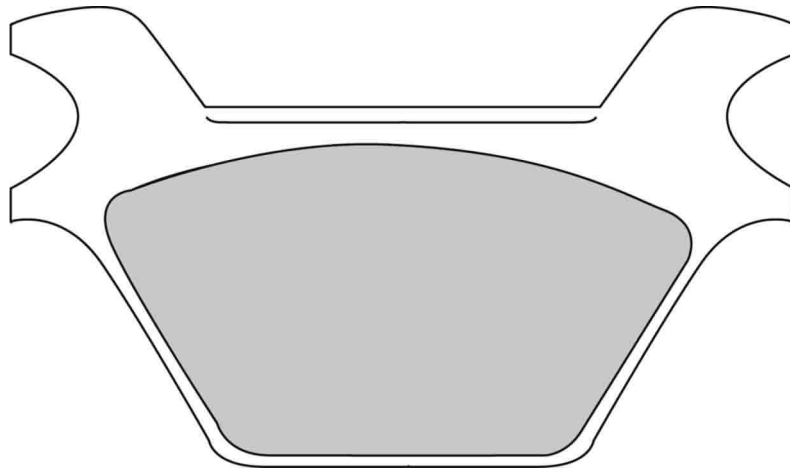
| CROSS REFERENCE | |
|-----------------|----------|
| BREMBO | 07YA2905 |
| CL BRAKES | 2307 |
| EBC | FA206 |
| EBC | SFA193 |
| GALFER | FD 170 |
| GALFER | FD 171 |
| NEWFREN | .FD.0197 |
| SBS | 667 |
| VESRAH | VD 256 |



| MATERIAL AVAILABILITY | | | | | | | |
|-----------------------|-----|----|----|----|-----|-------|------|
| P | PRP | AG | SG | ST | CP1 | CP211 | XRAC |
| ✓ | | | ✓ | | | | |

| EQUIVALENT OE # | |
|-----------------|---------------|
| OEM Aprilia | 9100788 |
| OEM Honda | 45105 KT0 405 |
| OEM Honda | 45105-KZ1-405 |
| OEM Honda | 45105 MY6 405 |
| OEM Honda | 45105 MY6 415 |
| OEM Honda | 06455 KCZ 000 |
| OEM Honda | 06455 MAY 000 |
| OEM Honda | 06455 MY1 405 |
| OEM Kawasaki | 43082 1286 |
| OEM Kawasaki | 43082 0049 |
| OEM Kawasaki | 43082 1149 |
| OEM Kawasaki | 43082 1247 |
| OEM Kawasaki | 43082 1266 |
| OEM Kawasaki | 43082 1172 |
| OEM Kawasaki | 43082 1218 |
| OEM Kawasaki | 43082 1152 |
| OEM Kawasaki | 43082 1193 |
| OEM Suzuki | 59300 36890 |
| OEM Suzuki | 59300 13860 |
| OEM Suzuki | 59300 36850 |
| OEM Suzuki | 59300 13830 |
| OEM Suzuki | 59300 36860 |
| OEM Suzuki | 59301 36810 |
| OEM Suzuki | 59300 36870 |
| OEM Suzuki | 59300 36880 |
| OEM Yamaha | 5DH W0045 10 |
| OEM Yamaha | 5MV W0045 00 |
| OEM Yamaha | 5MV W0045 01 |
| OEM Yamaha | 5DH W0045 00 |
| OEM Yamaha | 5D7 F5811 00 |
| OEM Yamaha | 32D W0045 00 |

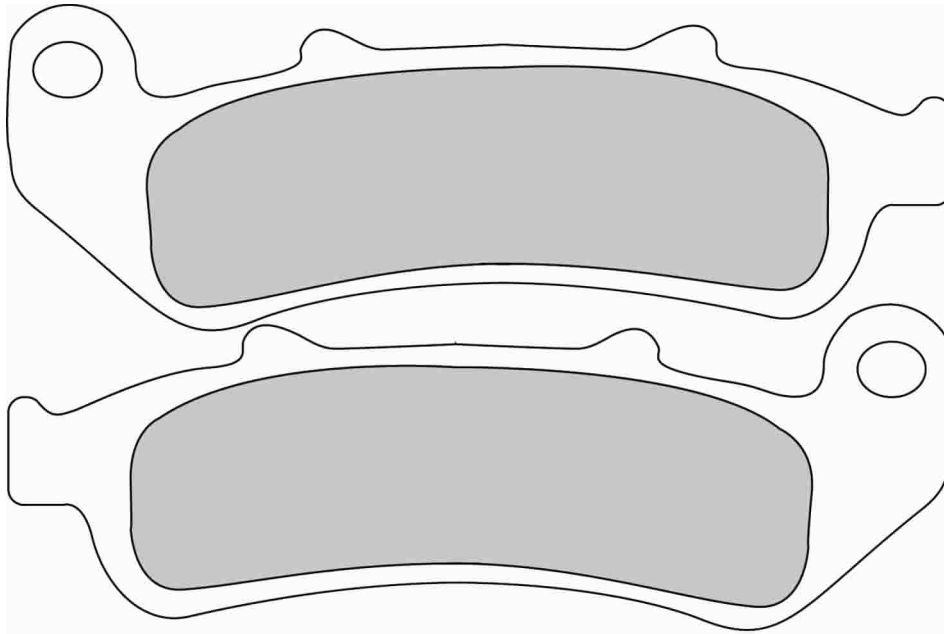
| CROSS REFERENCE | |
|-----------------|----------|
| BREMBO | 07KA1705 |
| CL BRAKES | 2300 |
| EBC | FA185 |
| GALFER | FD 164 |
| LUCAS | MCB669 |
| NEWFREN | .FD.0193 |
| SBS | 694 |
| VESRAH | VD 161 |



| MATERIAL AVAILABILITY | | | | | | | |
|-----------------------|-----|----|----|----|-----|-------|------|
| P | PRP | AG | SG | ST | CP1 | CP211 | XRAC |
| ✓ | ✓ | | ✓ | | | | |

| EQUIVALENT OE # | |
|-----------------|-----------|
| OEM Harley | 44213 87 |
| OEM Harley | 44209 87C |
| OEM Harley | 44209 87B |

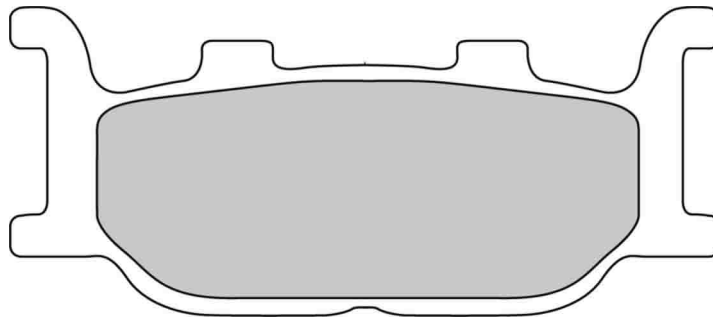
| CROSS REFERENCE | |
|-----------------|----------|
| BREMBO | 07HD1011 |
| CL BRAKES | 2370 |
| EBC | FA139 |
| EBC | FA200 |
| GALFER | FD 126 |
| LUCAS | MCB583LF |
| NEWFREN | .FD.0150 |
| SBS | 669 |
| VESRAH | VD 957 |



| MATERIAL AVAILABILITY | | | | | | | |
|-----------------------|-----|----|----|----|-----|-------|------|
| P | PRP | AG | SG | ST | CP1 | CP211 | XRAC |
| ✓ | | | | ✓ | | | |

| EQUIVALENT OE # | |
|-----------------|---------------|
| OEM Honda | 06455 MZ1 405 |
| OEM Honda | 06455 MZ2 405 |
| OEM Honda | 06455-MZ2-415 |

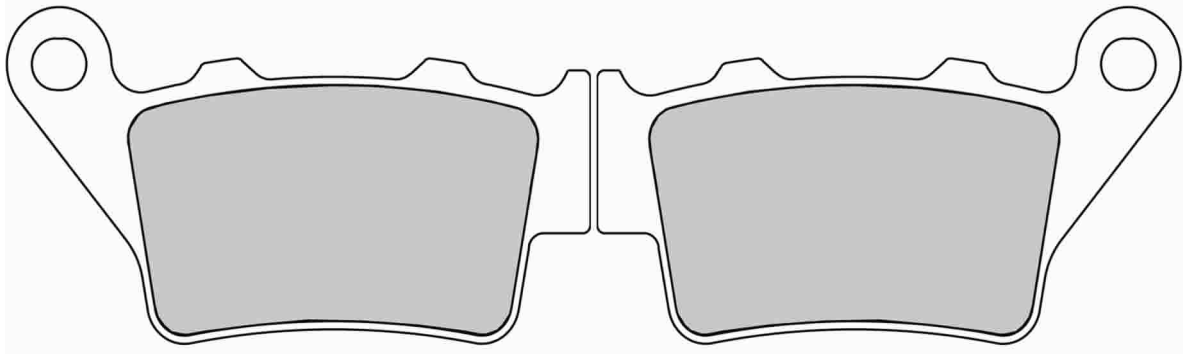
| CROSS REFERENCE | |
|-----------------|----------|
| BREMBO | 07HO3907 |
| CL BRAKES | 2257 |
| EBC | FA189 |
| GALFER | FD 155 |
| LUCAS | MCB658 |
| NEWFREN | .FD.0203 |
| SBS | 685 |
| VESRAH | VD 164 |



| MATERIAL AVAILABILITY | | | | | | | |
|-----------------------|-----|----|----|----|-----|-------|------|
| P | PRP | AG | SG | ST | CP1 | CP211 | XRAC |
| ✓ | | ✓ | | ✓ | | | |

| EQUIVALENT OE # | |
|-----------------|--------------|
| OEM Yamaha | 5VU W0045 00 |
| OEM Yamaha | 4EB W0045 00 |
| OEM Yamaha | 5VX W0045 00 |
| OEM Yamaha | 1B7 W0045 00 |
| OEM Yamaha | 4HM W0045 00 |
| OEM Yamaha | 5RU W0045 10 |

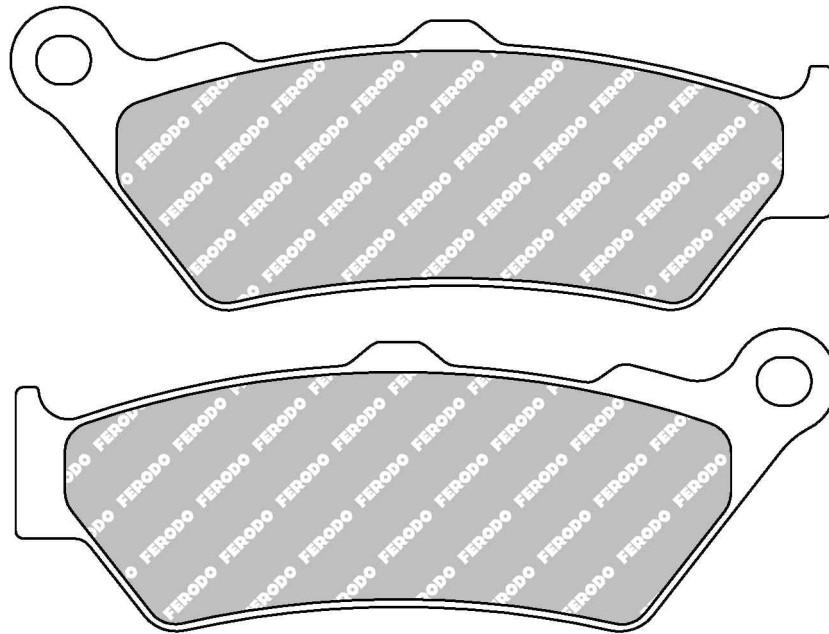
| CROSS REFERENCE | |
|-----------------|----------|
| BREMBO | 07YA3408 |
| CL BRAKES | 2546 |
| CL BRAKES | 3025 |
| EBC | FA199 |
| GALFER | FD 169 |
| LUCAS | MCB666 |
| NEWFREN | .FD.0205 |
| SBS | 691 |
| VESRAH | VD 260 |



| MATERIAL AVAILABILITY | | | | | | | |
|-----------------------|-----|----|----|----|-----|-------|------|
| P | PRP | AG | SG | ST | CP1 | CP211 | XRAC |
| ✓ | | | ✓ | ✓ | | | |

| CROSS REFERENCE | |
|-----------------|----------|
| BREMBO | 07BB0210 |
| CL BRAKES | 2353 |
| EBC | FA208 |
| EBC | FA213 |
| GALFER | FD 165 |
| NEWFREN | .FD.0206 |
| SBS | 675 |
| VESRAH | VD 953 |

| EQUIVALENT OE # | |
|-----------------|-----------------|
| OEM Aprilia | 858200 |
| OEM Aprilia | 8113538 |
| OEM BMW | 34 21 7 664 983 |
| OEM BMW | 34 21 2 345 449 |
| OEM Ducati | 61340761A |
| OEM Honda | 06435 MAK 003 |
| OEM KTM | 75013090000 |
| OEM KTM | 50313090000 |
| OEM KTM | 54613309300 |
| OEM KTM | 54613309200 |
| OEM KTM | 50313030100 |
| OEM TRIUMPH | T2024901 |
| OEM Yamaha | 5VK W004 600 |
| OEM Yamaha | 4GV F5811 00 |



| MATERIAL AVAILABILITY | | | | | | | |
|-----------------------|-----|----|----|----|-----|-------|------|
| P | PRP | AG | SG | ST | CP1 | CP211 | XRAC |
| ✓ | | | | ✓ | | | |

| CROSS REFERENCE | |
|-----------------|----------|
| BREMBO | 07BB0311 |
| CL BRAKES | 2396 |
| EBC | FA209 |
| EBC | FA209/2 |
| GALFER | FD 172 |
| NEWFREN | .FD.0216 |
| SBS | 674 |
| VESRAH | VD 958 |

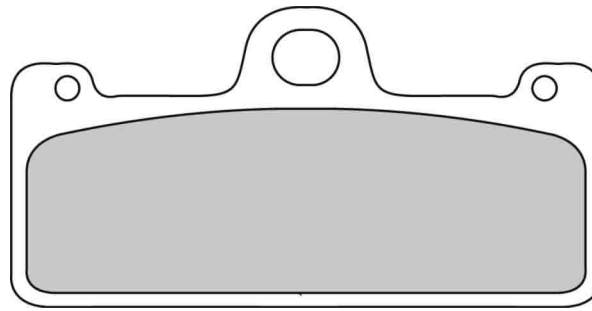
| EQUIVALENT OE # | |
|-----------------|-----------------|
| OEM Aprilia | 8113627 |
| OEM Aprilia | 811 3533 |
| OEM Aprilia | 8113489 |
| OEM Aprilia | 8113988 |
| OEM Aprilia | 8113627 |
| OEM BMW | 34 11 7 697 086 |
| OEM BMW | 341 12345 445 |
| OEM BMW | 34 11 7 651 958 |
| OEM BMW | 34 11 7 696 593 |
| OEM BMW | 34 11 7 705 216 |
| OEM BMW | 34 21 7 724 609 |
| OEM BMW | 34 21 8 534 821 |
| OEM Ducati | 61340751A |
| OEM Ducati | 61370721A |
| OEM Honda | 06455 MAK 000 |
| OEM Honda | 06455 MAK 003 |
| OEM Honda | 06455 MY5 731 |
| OEM KTM | 60013030000 |
| OEM Moto Guzzi | 30654626 |
| OEM Moto Guzzi | 3654600 |
| OEM Triumph | T2020691 |

FDB2007

78.0 x 41.0 x 8.7 mm

APRILIA, DUCATI

FRONT



| ALSO AVAILABLE | | |
|----------------|--------|-------|
| SHAPE | TH. MM | NOTES |
| FDB2123 | 10.0 | |

| MATERIAL AVAILABILITY | | | | | | | |
|-----------------------|-----|----|----|----|-----|-------|------|
| P | PRP | AG | SG | ST | CP1 | CP211 | XRAC |
| ! | | | | | ✓ | | ✓ |

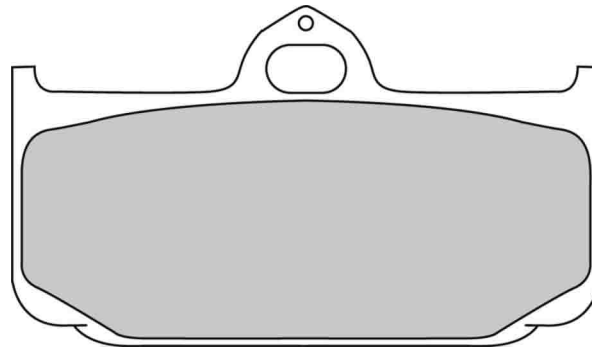
| CROSS REFERENCE | |
|-----------------|-----------------|
| BREMBO | 107684820 (Z01) |
| BREMBO | M028Z04 (Z04) |
| CL BRAKES | 2329 |
| EBC | FA218 |
| GALFER | FD 168 |
| NEWFREN | .FD.0213 |
| SBS | 695 |

FDB2008

77.6 x 45.4 x 8.7 mm

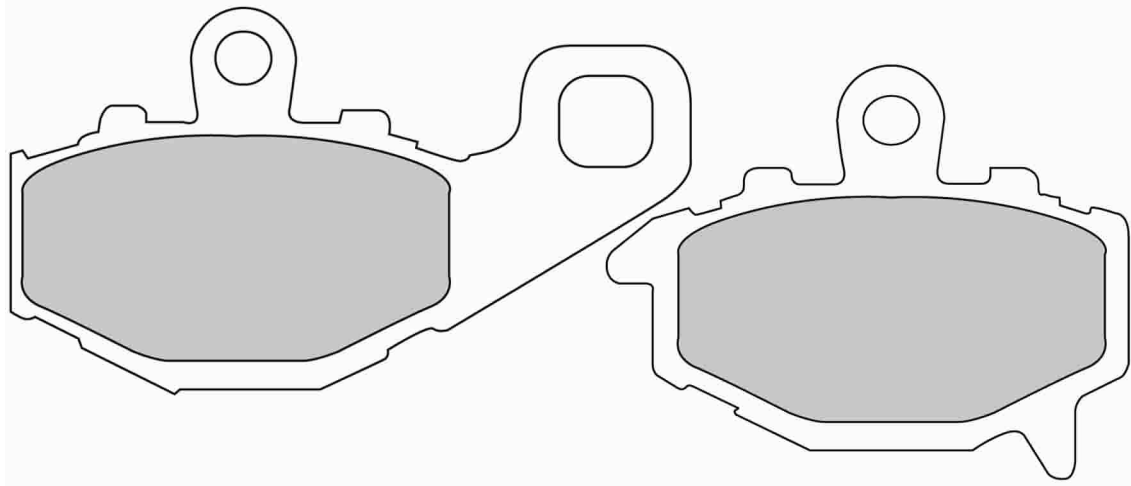
HONDA

FRONT



| MATERIAL AVAILABILITY | | | | | | | |
|-----------------------|-----|----|----|----|-----|-------|------|
| P | PRP | AG | SG | ST | CP1 | CP211 | XRAC |
| ! | | | | | | | |

| CROSS REFERENCE | |
|-----------------|----------|
| CL BRAKES | 2470 |
| EBC | FA211 |
| NEWFREN | .FD.0215 |



| MATERIAL AVAILABILITY | | | | | | | |
|-----------------------|-----|----|----|----|-----|-------|------|
| P | PRP | AG | SG | ST | CP1 | CP211 | XRAC |
| ✓ | | | | ✓ | | | |

| EQUIVALENT OE # | |
|-----------------|------------|
| OEM Kawasaki | 43082 1190 |
| OEM Kawasaki | 43082 0068 |
| OEM Kawasaki | 43082 0004 |
| OEM Kawasaki | 43082 1213 |
| OEM Kawasaki | 43082 1157 |
| OEM Kawasaki | 43082 1171 |
| OEM Kawasaki | 43082 1160 |

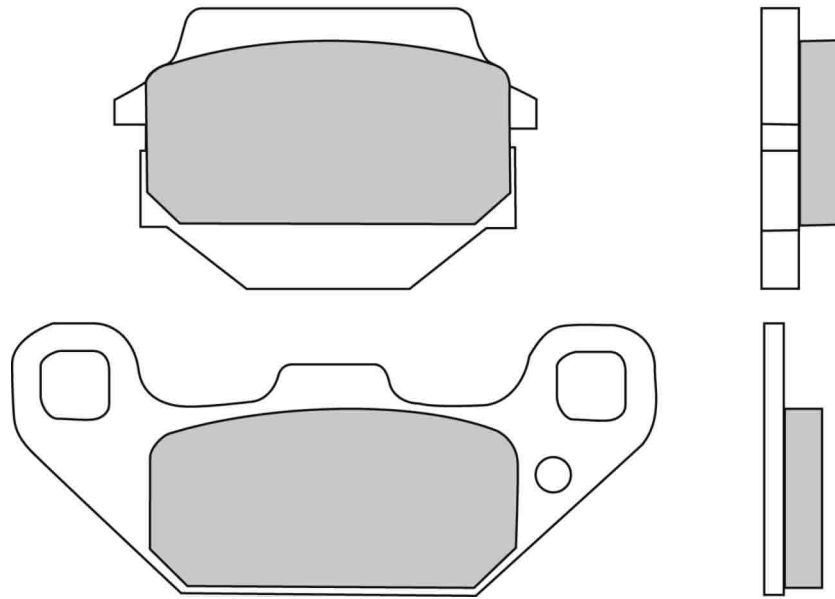
| CROSS REFERENCE | |
|-----------------|----------|
| BREMBO | 07KA1617 |
| CL BRAKES | 2381 |
| EBC | FA192 |
| GALFER | FD 167 |
| LUCAS | MCB662 |
| NEWFREN | .FD.0207 |
| SBS | 687 |
| VESRAH | VD 434 |

FDB2013

56.0 x 37.0 x 10.3 mm / 85.0 x 36.0 x 7.9 mm

KAWASAKI ATV, SUZUKI ATV

FRONT



| MATERIAL AVAILABILITY | | | | | | | |
|-----------------------|-----|----|----|----|-----|-------|------|
| P | PRP | AG | SG | ST | CP1 | CP211 | XRAC |
| | | | ✓ | | | | |

| EQUIVALENT OE # | |
|-----------------|------------|
| OEM Kawasaki | 43082 1163 |

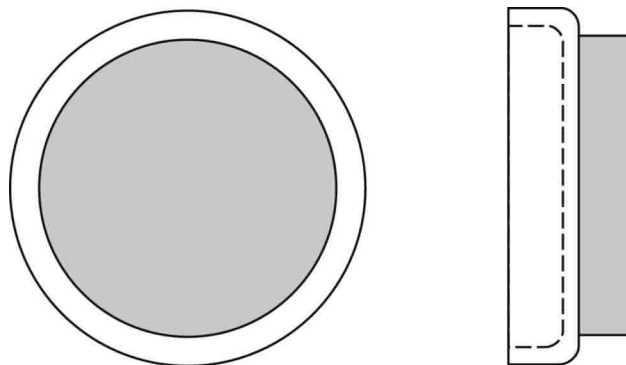
| CROSS REFERENCE | |
|-----------------|----------|
| BREMBO | 07SU1132 |
| CL BRAKES | 2799 |
| EBC | FA128 |
| LUCAS | MCB566 |
| NEWFREN | .FD.0110 |
| SBS | 591 |
| VESRAH | VD 332 |

FDB2014

47.0 x 47.0 x 16.5 mm

YAMAHA 3 WHEELERS, YAMAHA ATV, YAMAHA SNOWMOBILE

FRONT / REAR



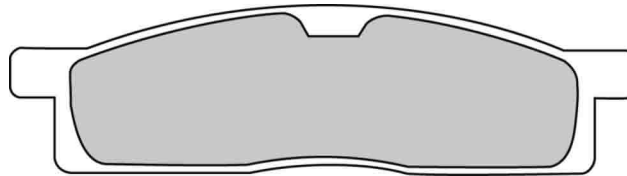
| MATERIAL AVAILABILITY | | | | | | | |
|-----------------------|-----|----|----|----|-----|-------|------|
| P | PRP | AG | SG | ST | CP1 | CP211 | XRAC |
| | | | ✓ | | | | |

| CROSS REFERENCE | |
|-----------------|----------|
| BREMBO | 07YA1519 |
| EBC | FA021 |
| LUCAS | MCB567 |
| NEWFREN | .FD.0278 |
| SBS | 576 |
| VESRAH | VD 234 |

FDB2015**83.0 x 22.0 x 7.0 mm**

KAWASAKI, YAMAHA

FRONT / REAR



| MATERIAL AVAILABILITY | | | | | | | |
|-----------------------|-----|----|----|----|-----|-------|------|
| P | PRP | AG | SG | ST | CP1 | CP211 | XRAC |
| | | | ✓ | | | | |

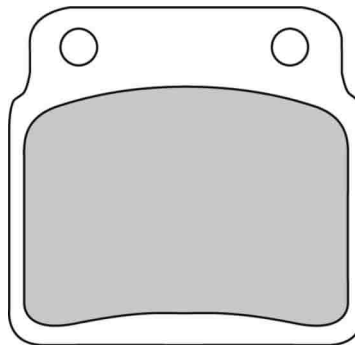
| EQUIVALENT OE # | |
|-----------------|--------------|
| OEM Yamaha | 2HF W0046 00 |
| OEM Yamaha | 4ES W0045 20 |
| OEM Yamaha | 4ES W0045 00 |
| OEM Yamaha | 3UN W0045 00 |
| OEM Yamaha | 5PA W0045 00 |
| OEM Yamaha | 1LR W0046 00 |

| CROSS REFERENCE | |
|-----------------|----------|
| BREMBO | 07YA1605 |
| CL BRAKES | 2424 |
| EBC | FA119 |
| GALFER | FD 097 |
| LUCAS | MCB558 |
| NEWFREN | .FD.0102 |
| SBS | 589 |
| VESRAH | VD 244 |

FDB2016**47.0 x 45.0 x 7.3 mm**

ARCTIC CAT ATV, HYOSUNG ATV, KAWASAKI ATV, SUZUKI ATV

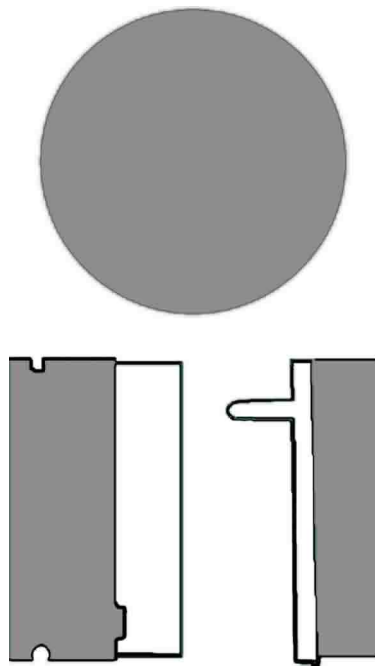
FRONT / REAR



| MATERIAL AVAILABILITY | | | | | | | |
|-----------------------|-----|----|----|----|-----|-------|------|
| P | PRP | AG | SG | ST | CP1 | CP211 | XRAC |
| | | | ✓ | | | | |

| EQUIVALENT OE # | |
|-----------------|-------------|
| OEM Suzuki | 69100 01810 |
| OEM Suzuki | 69100 07810 |

| CROSS REFERENCE | |
|-----------------|----------|
| BREMBO | 07SU2906 |
| EBC | FA137 |
| NEWFREN | .FD.0145 |
| SBS | 649 |
| VESRAH | VD 341 |

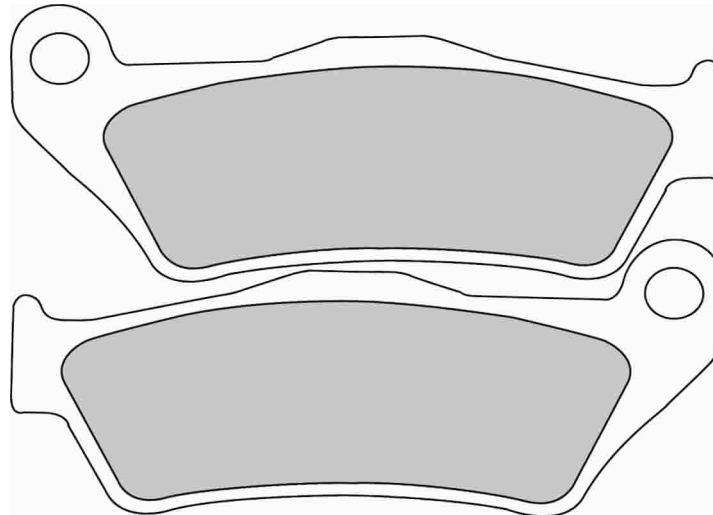


| MATERIAL AVAILABILITY | | | | | | | |
|-----------------------|-----|----|----|----|-----|-------|------|
| P | PRP | AG | SG | ST | CP1 | CP211 | XRAC |
| | | | ✔ | | | | |

| CROSS REFERENCE | |
|-----------------|--------|
| DUNLOPAD | DP843 |
| EBC | FA155 |
| SBS | 637 |
| VESRAH | VD 261 |

ALFER, APRILIA, ATK (USA), BENELLI, BMW, CAGIVA, CCM, DERBI, DUCATI, GASGAS, GASGAS ATV, GILERA, HUSABERG, HUSQVARNA, KEEWAY, KTM, MAICO, MBK, MOTO GUZZI, MOTO MORINI, PIAGGIO, RIEJU, SHERCO, TM, YAMAHA

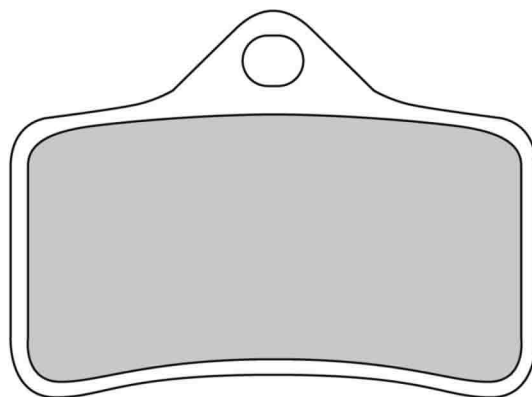
FRONT / REAR



| MATERIAL AVAILABILITY | | | | | | | |
|-----------------------|-----|----|----|----|-----|-------|------|
| P | PRP | AG | SG | ST | CP1 | CP211 | XRAC |
| ✓ | | | ✓ | ✓ | | | |

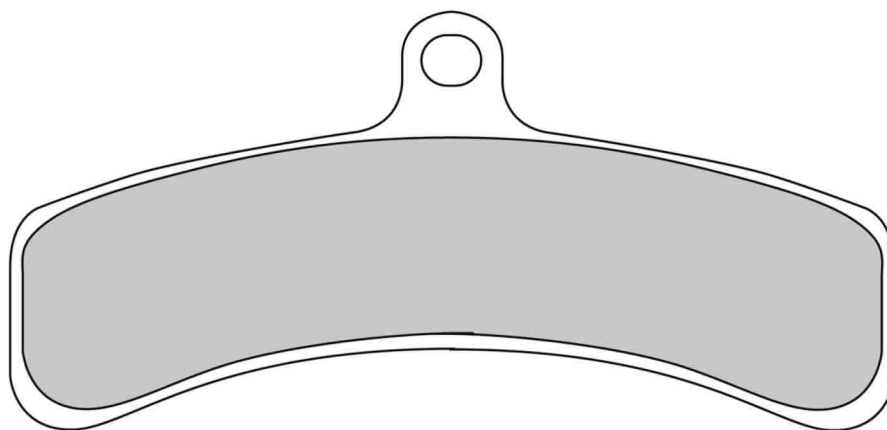
| EQUIVALENT OE # | |
|-----------------|-----------------|
| OEM Aprilia | 8113593 |
| OEM BMW | 34 11 7 717 309 |
| OEM Ducati | 61340721A |
| OEM Gilera | 497396 |
| OEM Gilera | 647074 |
| OEM KTM | 54613209244 |
| OEM KTM | 50313030300 |
| OEM KTM | 58413030000 |
| OEM KTM | 50313030200 |
| OEM KTM | 5DSF581100 |
| OEM KTM | 60013016000 |
| OEM KTM | 77013020000 |
| OEM KTM | 50313030000 |
| OEM KTM | 54613209044 |
| OEM Moto Guzzi | 56546300 |
| OEM Moto Guzzi | 30654625 |
| OEM Piaggio | CM077902 |
| OEM Yamaha | 11D F5811 00 |
| OEM Yamaha | 4GV F5911 00 |
| OEM Yamaha | 2C8 W0045 00 |
| OEM Yamaha | 4GV W0045 10 |
| OEM Yamaha | 1D5 F5811 00 |
| OEM Yamaha | 1B9 W0045 00 |
| OEM Yamaha | 5VK W0045 00 |

| CROSS REFERENCE | |
|-----------------|----------|
| BREMBO | 07BB0410 |
| CL BRAKES | 2352 |
| EBC | FA181 |
| EBC | FA245 |
| GALFER | FD 138 |
| LUCAS | MCB626 |
| NEWFREN | .FD.0186 |
| SBS | 671 |
| VESRAH | VD 947 |



| MATERIAL AVAILABILITY | | | | | | | |
|-----------------------|-----|----|----|----|-----|-------|------|
| P | PRP | AG | SG | ST | CP1 | CP211 | XRAC |
| ✓ | | | | | | | |

| CROSS REFERENCE | |
|-----------------|-------|
| CL BRAKES | 2920 |
| EBC | FA361 |



| MATERIAL AVAILABILITY | | | | | | | |
|-----------------------|-----|----|----|----|-----|-------|------|
| P | PRP | AG | SG | ST | CP1 | CP211 | XRAC |
| | | | | | | | |

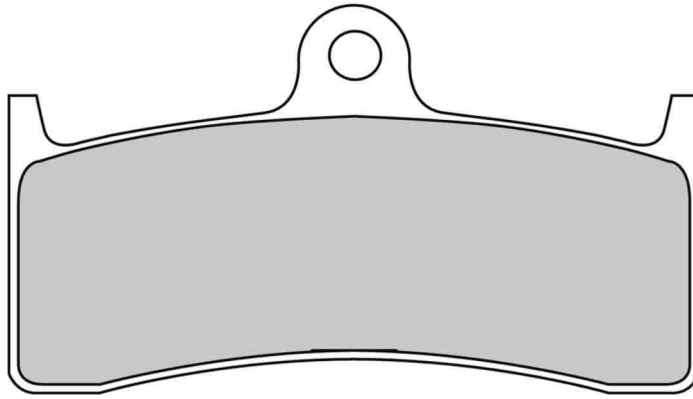
| CROSS REFERENCE | |
|-----------------|----------|
| CL BRAKES | 2919 |
| EBC | FA362 |
| NEWFREN | .FD.0234 |

FDB2036

91.6 x 51.5 x 8.5 mm

BUELL, HONDA, KAWASAKI, MV AGUSTA

FRONT



| MATERIAL AVAILABILITY | | | | | | | |
|-----------------------|-----|----|----|----|-----|-------|------|
| P | PRP | AG | SG | ST | CP1 | CP211 | XRAC |
| ✓ | | | | ✓ | | | |

| EQUIVALENT OE # | |
|-----------------|------------|
| OEM Kawasaki | 43082 1181 |
| OEM MV Agusta | 8000 94024 |

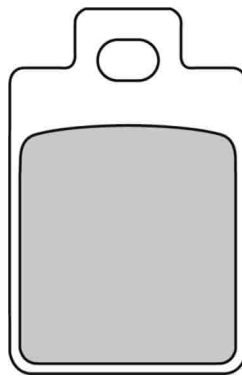
| CROSS REFERENCE | |
|-----------------|----------|
| BREMBO | 07KA20RC |
| CL BRAKES | 2404 |
| CL BRAKES | 2899 |
| EBC | FA249 |
| GALFER | FD 246 |
| LUCAS | MCB660 |
| NEWFREN | .FD.0246 |
| SBS | 676 |
| SBS | 729 |
| VESRAH | VD 437 |

FDB2037

31.6 x 49.0 x 7.0 mm

PIAGGIO

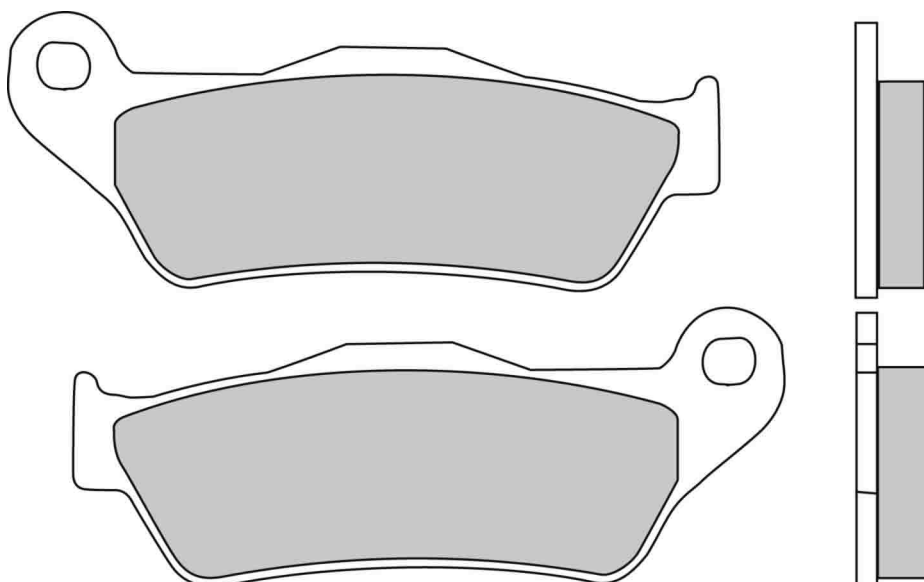
FRONT



| MATERIAL AVAILABILITY | | | | | | | |
|-----------------------|-----|----|----|----|-----|-------|------|
| P | PRP | AG | SG | ST | CP1 | CP211 | XRAC |
| | | ✓ | | | | | |

| EQUIVALENT OE # | |
|-----------------|---------|
| OEM Piaggio | I498846 |

| CROSS REFERENCE | |
|-----------------|----------|
| BREMBO | 7017 |
| EBC | FA255 |
| EBC | SFA255 |
| GALFER | FD 197 |
| NEWFREN | .FD.0225 |
| SBS | 712 |
| VESRAH | VD 955 |



| MATERIAL AVAILABILITY | | | | | | | |
|-----------------------|-----|----|----|----|-----|-------|------|
| P | PRP | AG | SG | ST | CP1 | CP211 | XRAC |
| ✓ | | | | ✓ | | | |

| CROSS REFERENCE | |
|-----------------|----------|
| BREMBO | 07BB0410 |
| CL BRAKES | 2900 |
| EBC | FA363 |
| GALFER | FD 186 |
| LUCAS | MCB648 |
| NEWFREN | .FD.0229 |
| SBS | 742 |
| VESRAH | VD 947 |

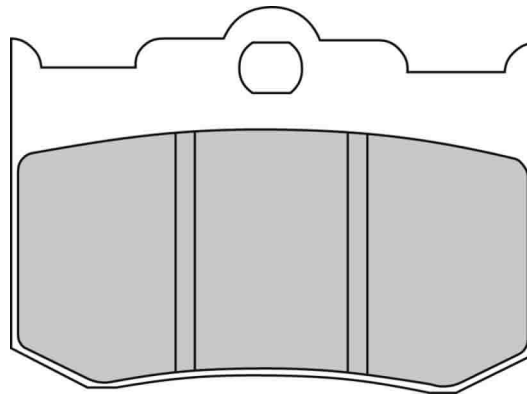
| EQUIVALENT OE # | |
|-----------------|-------------------|
| OEM Aprilia | 8133516 |
| OEM BMW | 34 21 2 335 465 |
| OEM BMW | 34 21 7 671 881 |
| OEM BMW | 34 21 7 660 281 |
| OEM BMW | 34 21 2 330 633 |
| OEM BMW | 34 21 2 332 988 |
| OEM BMW | 34 21 2 314 997AE |

FDB2040

69.4 x 51.1 x 7.9 mm

INDIAN

FRONT / REAR



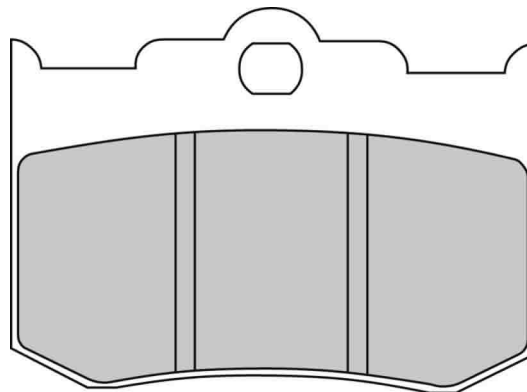
| ALSO AVAILABLE | | |
|----------------|--------|-------|
| SHAPE | TH. MM | NOTES |
| FDB2041 | 11.0 | |

| MATERIAL AVAILABILITY | | | | | | | |
|-----------------------|-----|----|----|----|-----|-------|------|
| P | PRP | AG | SG | ST | CP1 | CP211 | XRAC |
| ✓ | ✓ | | | ✓ | | | |

| CROSS REFERENCE | |
|-----------------|----------|
| EBC | FA216/3 |
| NEWFREN | .FD.0297 |
| SBS | 678 |

FDB2041

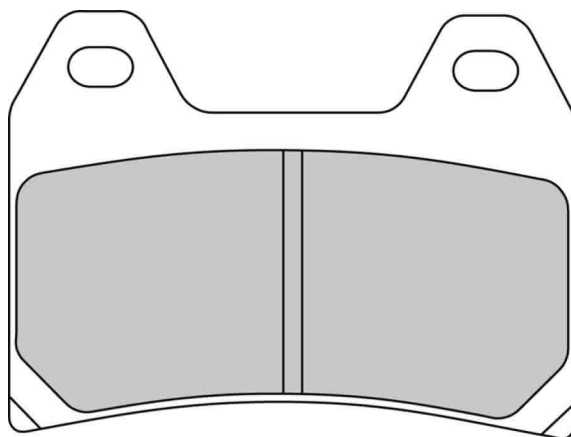
69.4 x 51.1 x 11.0 mm



| ALSO AVAILABLE | | |
|----------------|--------|-------|
| SHAPE | TH. MM | NOTES |
| FDB2040 | 7.9 | |

| MATERIAL AVAILABILITY | | | | | | | |
|-----------------------|-----|----|----|----|-----|-------|------|
| P | PRP | AG | SG | ST | CP1 | CP211 | XRAC |
| ✓ | | | | | | | |

| CROSS REFERENCE | |
|-----------------|----------|
| EBC | FA216/2 |
| NEWFREN | .FD.0299 |
| SBS | 662 |

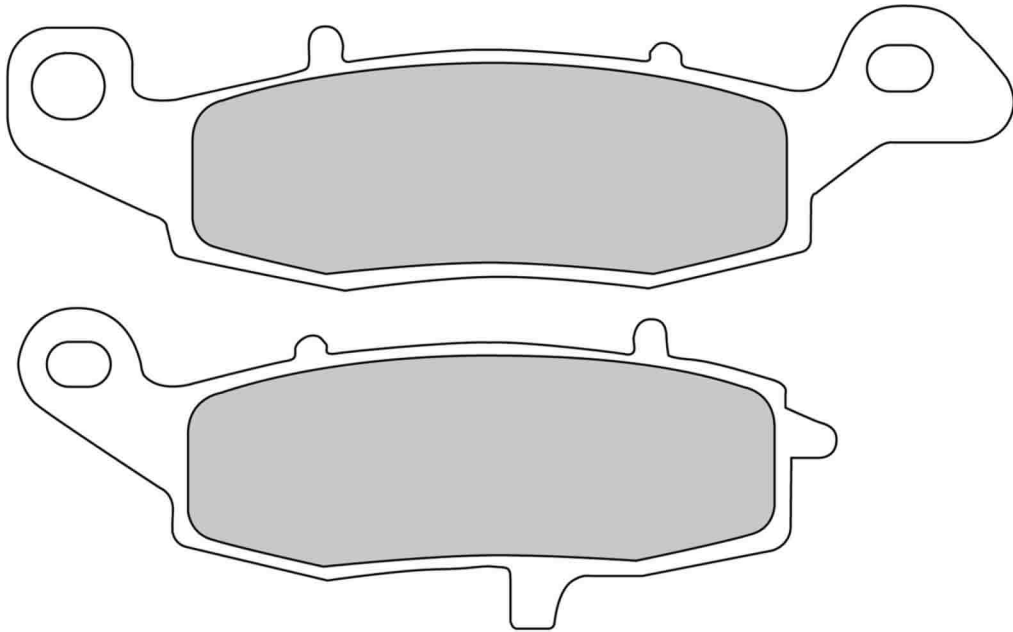


| ALSO AVAILABLE | | |
|----------------|--------|-------|
| SHAPE | TH. MM | NOTES |
| FDB2099 | 7.6 | |

| MATERIAL AVAILABILITY | | | | | | | |
|-----------------------|-----|----|----|----|-----|-------|------|
| P | PRP | AG | SG | ST | CP1 | CP211 | XRAC |
| ✓ | | | | ✓ | ✓ | | ✓ |

| EQUIVALENT OE # | |
|-----------------|---------------|
| OEM Aprilia | 8113720 |
| OEM Aprilia | 8113754 |
| OEM Aprilia | 8133614 |
| OEM Benelli | R300000126000 |
| OEM Cagiva | 8000 B1593 |
| OEM Cagiva | 8000 95542 |
| OEM Ducati | 61340611A |
| OEM Ducati | 61340201A |
| OEM Ducati | 61340411A |
| OEM Ducati | 613400201A |
| OEM Ducati | 61340211B |
| OEM KTM | 58713030000 |
| OEM KTM | 58413130000 |
| OEM Moto Guzzi | 1654630 |
| OEM Moto Guzzi | 16546300 |
| OEM Moto Guzzi | 326546100 |
| OEM Moto Guzzi | 1654630 |
| OEM Suzuki | 59100 03860 |
| OEM Yamaha | 1D2 W0045 00 |

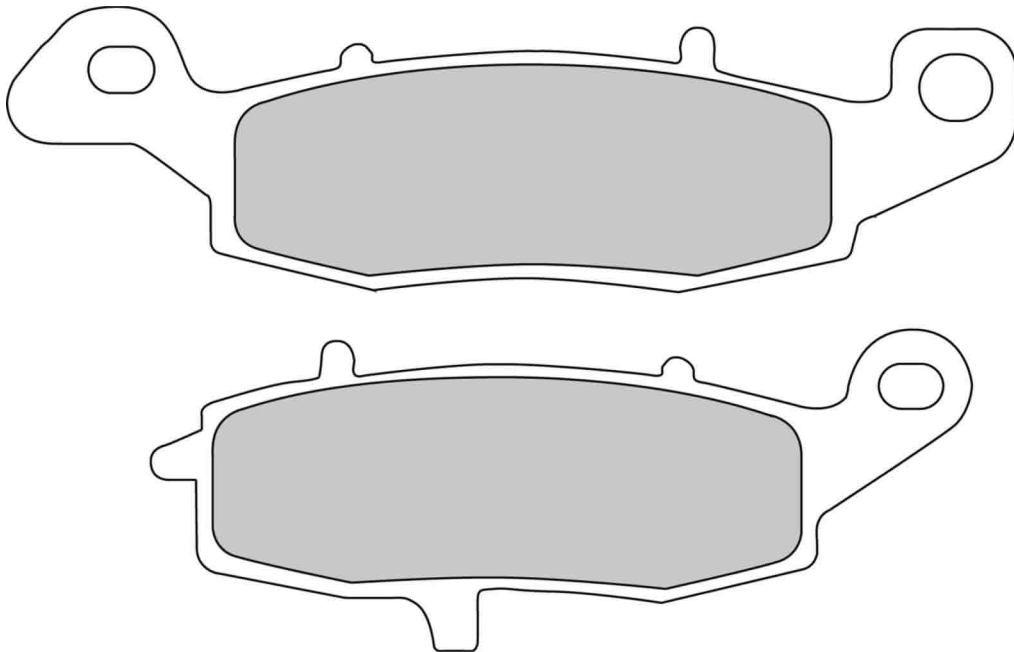
| CROSS REFERENCE | |
|-----------------|----------|
| BREMBO | 07BB1910 |
| CL BRAKES | 2539 |
| EBC | FA244 |
| GALFER | FD 176 |
| NEWFREN | .FD.0221 |
| SBS | 706 |
| VESRAH | VD 262 |



| MATERIAL AVAILABILITY | | | | | | | |
|-----------------------|-----|----|----|----|-----|-------|------|
| P | PRP | AG | SG | ST | CP1 | CP211 | XRAC |
| ✓ | | | | ✓ | ✓ | | ✓ |

| EQUIVALENT OE # | |
|-----------------|-------------|
| OEM Kawasaki | 43082 0050 |
| OEM Kawasaki | 43082 0051 |
| OEM Kawasaki | 43082 1234 |
| OEM Kawasaki | 43082 0009 |
| OEM Kawasaki | 43082 1223 |
| OEM Kawasaki | 43082 0061 |
| OEM Kawasaki | 43082 1187 |
| OEM Kawasaki | 43082 1177 |
| OEM Suzuki | 59302 33810 |
| OEM Suzuki | 59301 33820 |
| OEM Suzuki | 59301 33830 |
| OEM Suzuki | 59302 33830 |
| OEM Suzuki | 59302 33880 |
| OEM Suzuki | 59302 33890 |

| CROSS REFERENCE | |
|-----------------|----------|
| BREMBO | 07KA1907 |
| CL BRAKES | 2383 |
| EBC | FA229 |
| EBC | FA237 |
| GALFER | FD 174 |
| LUCAS | MCB682 |
| NEWFREN | .FD.0228 |
| SBS | 705 |
| VESRAH | VD 352 |



| MATERIAL AVAILABILITY | | | | | | | |
|-----------------------|-----|----|----|----|-----|-------|------|
| P | PRP | AG | SG | ST | CP1 | CP211 | XRAC |
| ✓ | | | | ✓ | ✓ | | ✓ |

| EQUIVALENT OE # | |
|-----------------|-------------|
| OEM Kawasaki | 43082 1264 |
| OEM Kawasaki | 43082 0010 |
| OEM Kawasaki | 43082 0105 |
| OEM Kawasaki | 43082 1260 |
| OEM Kawasaki | 43082 1232 |
| OEM Kawasaki | 43082 1235 |
| OEM Kawasaki | 43082 1248 |
| OEM Kawasaki | 43082 1237 |
| OEM Kawasaki | 43082 1178 |
| OEM Kawasaki | 43082 1226 |
| OEM Kawasaki | 43082 0062 |
| OEM Kawasaki | 43082 0052 |
| OEM Suzuki | 59100 33870 |
| OEM Suzuki | 59100 33850 |
| OEM Suzuki | 59101 33880 |
| OEM Suzuki | 59101 33830 |
| OEM Suzuki | 59100 33880 |
| OEM Suzuki | 59102 33810 |
| OEM Suzuki | 59102 33860 |
| OEM Suzuki | 59101 33820 |
| OEM Suzuki | 69100 01870 |

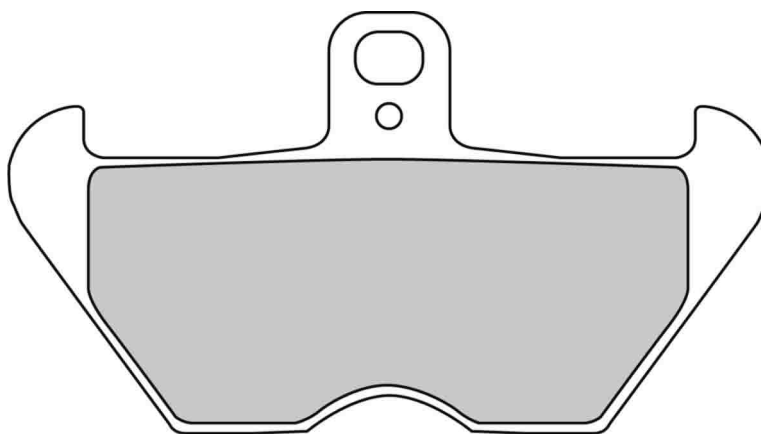
| CROSS REFERENCE | |
|-----------------|----------|
| BREMBO | 07KA1807 |
| CL BRAKES | 2384 |
| EBC | FA231 |
| EBC | FA259 |
| GALFER | FD 179 |
| LUCAS | MCB681 |
| NEWFREN | .FD.0227 |
| SBS | 704 |
| VESRAH | VD 435 |

FDB2050

100.0 x 55.8 x 8.4 mm

BMW

FRONT



| MATERIAL AVAILABILITY | | | | | | | |
|-----------------------|-----|----|----|----|-----|-------|------|
| P | PRP | AG | SG | ST | CP1 | CP211 | XRAC |
| ✓ | | | | ✓ | | | |

| EQUIVALENT OE # | |
|-----------------|-----------------|
| OEM BMW | 34 11 231 4996 |
| OEM BMW | 34 11 7 655 687 |
| OEM BMW | 34 11 2 331 173 |
| OEM BMW | 34 11 2 333 045 |
| OEM BMW | 34 11 2 314 512 |

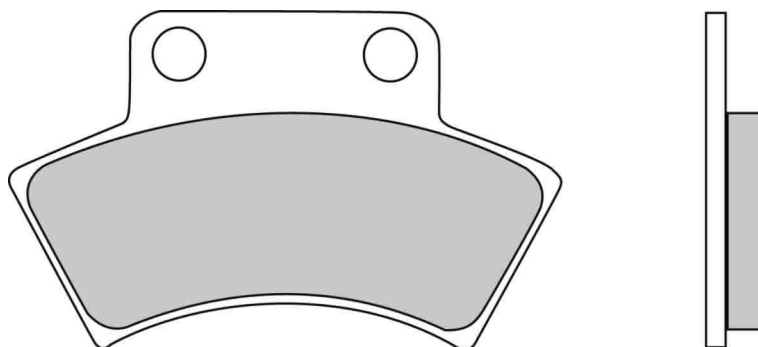
| CROSS REFERENCE | |
|-----------------|----------|
| BREMBO | 07BM2207 |
| BREMBO | 07BM2407 |
| CL BRAKES | 2303 |
| CL BRAKES | 2430 |
| EBC | FA170 |
| EBC | FA246 |
| EBC | FA407 |
| GALFER | FD 131 |
| GALFER | FD 198 |
| NEWFREN | .FD.0237 |
| SBS | 644 |
| SBS | 703 |
| VESRAH | VD 941 |
| VESRAH | VD 959 |

FDB2054

73.5 x 43.5 x 7.2 mm

PGO ATV, POLARIS ATV, QUADZILLA

FRONT / REAR



| MATERIAL AVAILABILITY | | | | | | | |
|-----------------------|-----|----|----|----|-----|-------|------|
| P | PRP | AG | SG | ST | CP1 | CP211 | XRAC |
| | | | ✓ | | | | |

| EQUIVALENT OE # | |
|-----------------|---------|
| OEM Polaris | 2200456 |

| CROSS REFERENCE | |
|-----------------|----------|
| BREMBO | 07PO03SD |
| CL BRAKES | 2924 |
| EBC | FA232 |
| GALFER | FD 300 |
| LUCAS | MCB668 |
| NEWFREN | .FD.0279 |
| SBS | 717 |
| VESRAH | VD 950 |

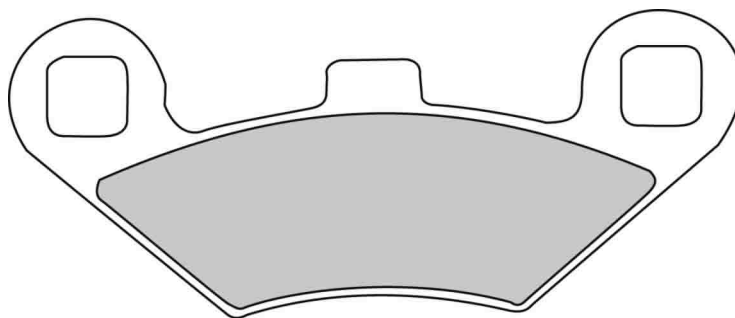
5094

FDB2055

97.0 x 39.5 x 6.9 mm

POLARIS ATV

FRONT / REAR



| MATERIAL AVAILABILITY | | | | | | | |
|-----------------------|-----|----|----|----|-----|-------|------|
| P | PRP | AG | SG | ST | CP1 | CP211 | XRAC |
| | | | ✓ | | | | |

| EQUIVALENT OE # | |
|-----------------|---------|
| OEM Polaris | 2202412 |

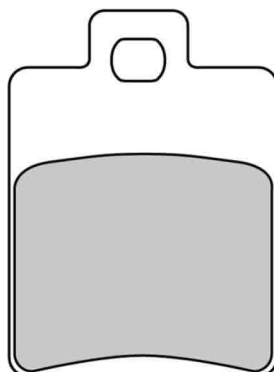
| CROSS REFERENCE | |
|-----------------|----------|
| BREMBO | 07PO02SD |
| CL BRAKES | 2927 |
| EBC | FA159 |
| GALFER | FD 303 |
| LUCAS | MCB761 |
| NEWFREN | .FD.0280 |
| SBS | 642 |
| SBS | 716 |
| VESRAH | VD 940 |

FDB2056

35.8 x 49.1 x 7.0 mm

PEUGEOT, PIAGGIO, SYM

FRONT / REAR



| MATERIAL AVAILABILITY | | | | | | | |
|-----------------------|-----|----|----|----|-----|-------|------|
| P | PRP | AG | SG | ST | CP1 | CP211 | XRAC |
| | | ✓ | | | | | |

| EQUIVALENT OE # | |
|-----------------|---------|
| OEM Piaggio | I494096 |

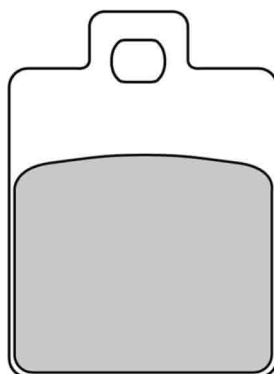
| CROSS REFERENCE | |
|-----------------|----------|
| BREMBO | 7019 |
| CL BRAKES | 3043 |
| EBC | FA260 |
| EBC | SFA260 |
| NEWFREN | .FD.0247 |
| SBS | 724 |

FDB2057

35.8 x 49.1 x 7.0 mm

CPI, GILERA, PGO, PIAGGIO

FRONT / REAR



| MATERIAL AVAILABILITY | | | | | | | |
|-----------------------|-----|----|----|----|-----|-------|------|
| P | PRP | AG | SG | ST | CP1 | CP211 | XRAC |
| | | ✓ | | | | | |

| CROSS REFERENCE | |
|-----------------|----------|
| BREMBO | 7019 |
| CL BRAKES | 3044 |
| EBC | FA260 |
| EBC | SFA260 |
| GALFER | FD 200 |
| NEWFREN | .FD.0249 |
| SBS | 724 |

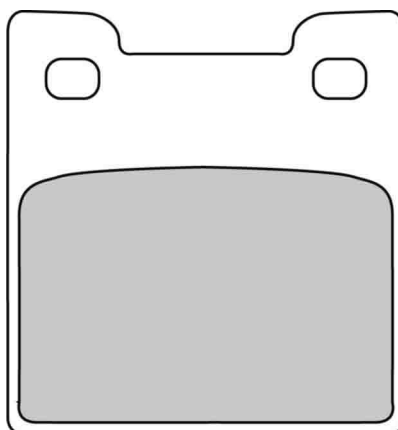
| EQUIVALENT OE # | |
|-----------------|----------|
| OEM Gilera | 494097 |
| OEM Gilera | 647170 |
| OEM Piaggio | I494097 |
| OEM Piaggio | CM076101 |
| OEM Piaggio | 647157 |
| OEM Piaggio | 647073 |
| OEM Piaggio | CM076701 |
| OEM Piaggio | 647157 |

FDB2058

52.7 x 56.4 x 8.6 mm

SUZUKI

REAR



| MATERIAL AVAILABILITY | | | | | | | |
|-----------------------|-----|----|----|----|-----|-------|------|
| P | PRP | AG | SG | ST | CP1 | CP211 | XRAC |
| ✓ | | | | | | | |

| CROSS REFERENCE | |
|-----------------|----------|
| BREMBO | 07SU2007 |
| CL BRAKES | 2390 |
| EBC | FA222 |
| GALFER | FD 189 |
| NEWFREN | .FD.0217 |
| SBS | 701 |
| VESRAH | VD 350 |

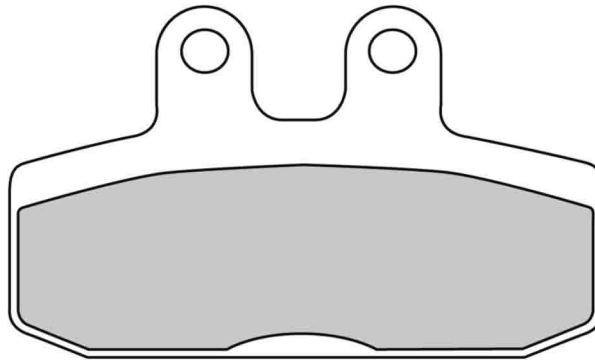
| EQUIVALENT OE # | |
|-----------------|-------------|
| OEM Suzuki | 69100 31830 |

FDB2060

78.7 x 47.0 x 7.4 mm

APRILIA, HONDA

FRONT / REAR



| MATERIAL AVAILABILITY | | | | | | | |
|-----------------------|-----|----|----|----|-----|-------|------|
| P | PRP | AG | SG | ST | CP1 | CP211 | XRAC |
| ✓ | | ✓ | | | | | |

| EQUIVALENT OE # | |
|-----------------|---------------|
| OEM Aprilia | 8133798 |
| OEM Honda | 06455 GAV 405 |
| OEM Honda | 06455 KBS W00 |
| OEM Honda | 45105 KBS 405 |

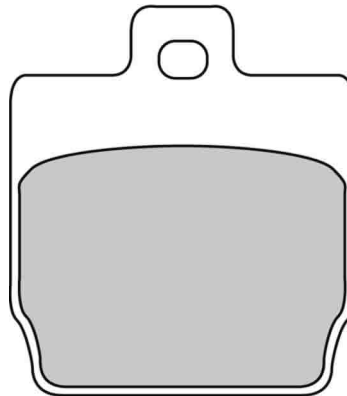
| CROSS REFERENCE | |
|-----------------|----------|
| BREMBO | 07GR0307 |
| CL BRAKES | 3020 |
| EBC | FA256 |
| GALFER | FD 195 |
| NEWFREN | .FD.0238 |
| SBS | 696 |
| VESRAH | VD 152 |

FDB2062

45.7 x 52.6 x 6.4 mm

CPI, MBK, YAMAHA

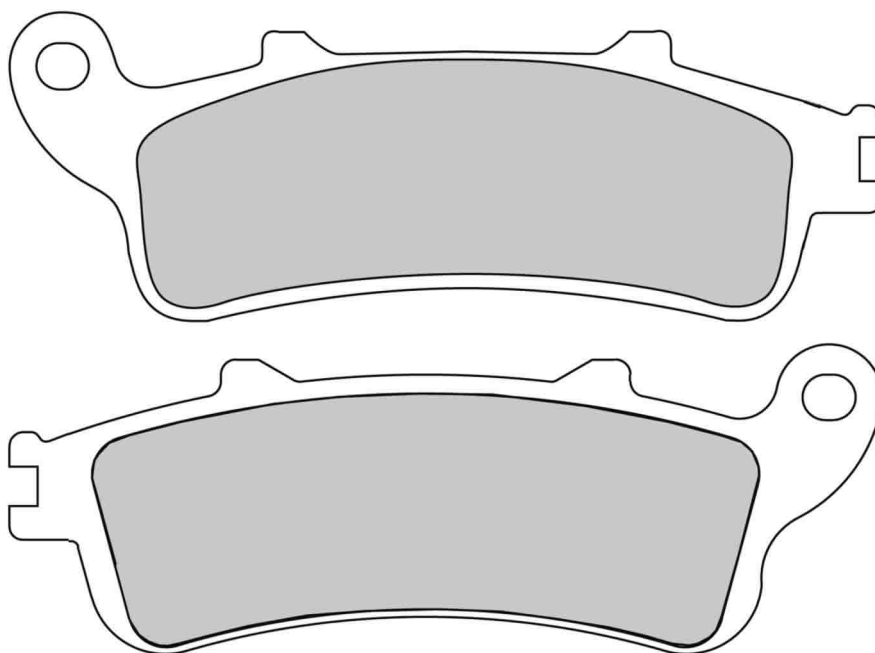
FRONT / REAR



| MATERIAL AVAILABILITY | | | | | | | |
|-----------------------|-----|----|----|----|-----|-------|------|
| P | PRP | AG | SG | ST | CP1 | CP211 | XRAC |
| | | ✓ | | | | | |

| EQUIVALENT OE # | |
|-----------------|--------------|
| OEM Yamaha | 5BR F5811 00 |

| CROSS REFERENCE | |
|-----------------|----------|
| BREMBO | 07BB0810 |
| CL BRAKES | 3027 |
| EBC | FA268 |
| EBC | SFA268 |
| GALFER | FD 206 |
| NEWFREN | .FD.0251 |
| SBS | 731 |



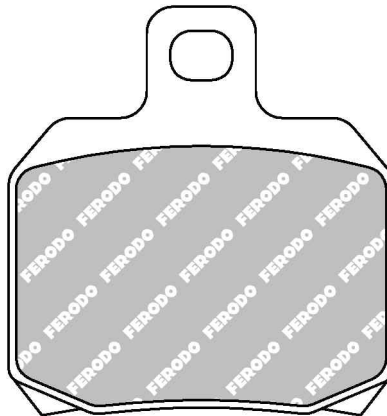
| MATERIAL AVAILABILITY | | | | | | | |
|-----------------------|-----|----|----|----|-----|-------|------|
| P | PRP | AG | SG | ST | CP1 | CP211 | XRAC |
| ✓ | | | | ✓ | | | |

| EQUIVALENT OE # | |
|-----------------|---------------|
| OEM Honda | 06455 KPB 406 |
| OEM Honda | 06455 KPB 416 |
| OEM Honda | 06435 MCC 006 |
| OEM Honda | 06455 MAT 006 |
| OEM Honda | 06455 KFG 016 |
| OEM Honda | 06455 KFG 631 |
| OEM Honda | 06455 MAT 006 |

| CROSS REFERENCE | |
|-----------------|----------|
| BREMBO | 07HO4206 |
| CL BRAKES | 2602 |
| CL BRAKES | 3026 |
| EBC | FA261 |
| GALFER | FD 205 |
| LUCAS | MCB704 |
| NEWFREN | .FD.0253 |
| SBS | 721 |
| SBS | 735 |
| SBS | 736 |
| VESRAH | VD 165/2 |

ADIVA, APRILIA, BENELLI, BIMOTA, BOMBARDIER ATV, CAGIVA, CFMOTO, CPI, DERBI, DUCATI, GILERA, KEEWAY, KTM, LAVERDA, MALAGUTI, MBK, MOTO GUZZI, MOTO MORINI, MV AGUSTA, PEUGEOT, PIAGGIO, RIEJU, SINNIS, YAMAHA

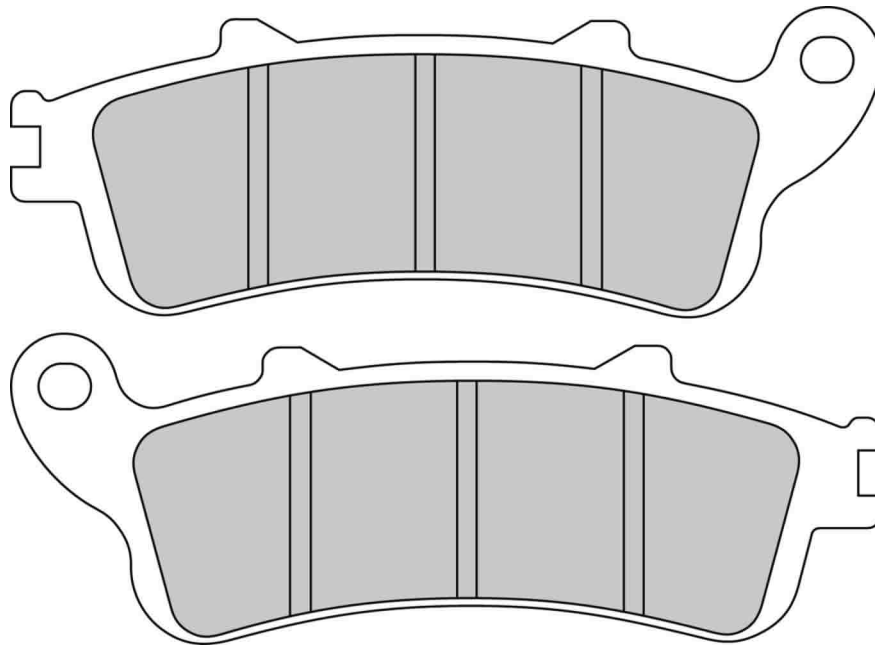
FRONT / REAR



| MATERIAL AVAILABILITY | | | | | | | |
|-----------------------|-----|----|----|----|-----|-------|------|
| P | PRP | AG | SG | ST | CP1 | CP211 | XRAC |
| ✓ | | ✓ | | ✓ | | | |

| EQUIVALENT OE # | |
|-----------------|---------------|
| OEM Aprilia | 8133920 |
| OEM Aprilia | 00H04704141 |
| OEM Aprilia | 8113898 |
| OEM Aprilia | 8113751 |
| OEM Benelli | R44422001A |
| OEM Benelli | R310000127000 |
| OEM Cagiva | 8000 95280 |
| OEM Ducati | 61340731A |
| OEM Ducati | 61340381A |
| OEM Ducati | 61340211A |
| OEM KTM | 69013090000 |
| OEM Moto Guzzi | 31654681 |
| OEM Moto Guzzi | 316546810 |
| OEM Moto Guzzi | 31654681 |
| OEM Piaggio | 647077 |
| OEM Piaggio | 647076 |
| OEM Piaggio | 497394 |
| OEM Yamaha | 5NR F5811 00 |

| CROSS REFERENCE | |
|-----------------|----------|
| BREMBO | 07BB2010 |
| BREMBO | 7004 |
| CL BRAKES | 2827 |
| EBC | FA266 |
| GALFER | FD 220 |
| NEWFREN | .FD.0256 |
| SBS | 157 |
| SBS | 730 |

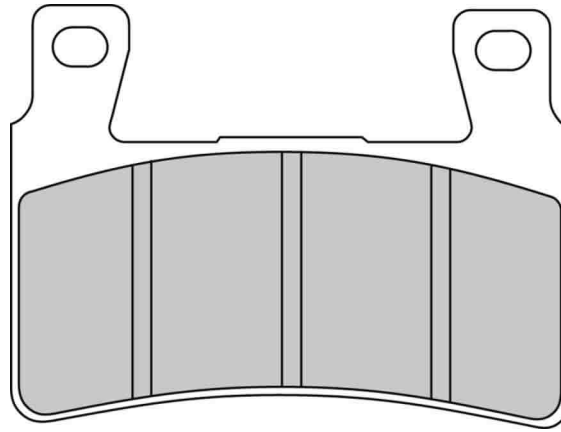


| ALSO AVAILABLE | | |
|----------------|--------|-------|
| SHAPE | TH. MM | NOTES |
| FDB2098 | 8.3 | |

| MATERIAL AVAILABILITY | | | | | | | |
|-----------------------|-----|----|----|----|-----|-------|------|
| P | PRP | AG | SG | ST | CP1 | CP211 | XRAC |
| ✓ | | | | ✓ | | | |

| EQUIVALENT OE # | |
|-----------------|---------------|
| OEM Honda | 06455 KFG 641 |
| OEM Honda | 06455 KFG 642 |
| OEM Honda | 06455 MCT 691 |
| OEM Honda | 06455 MCT 692 |
| OEM Honda | 06435 MAT 006 |
| OEM Honda | 06435 MAT 016 |
| OEM Honda | 43105 MT3 007 |

| CROSS REFERENCE | |
|-----------------|----------|
| BREMBO | 7034 |
| CL BRAKES | 2602 |
| EBC | FA281 |
| EBC | SFA281 |
| GALFER | FD 207 |
| NEWFREN | .FD.0255 |
| SBS | 722 |
| VESRAH | VD 165 |



| ALSO AVAILABLE | | |
|----------------|--------|-------|
| SHAPE | TH. MM | NOTES |
| FDB2114 | 7.1 | |

| MATERIAL AVAILABILITY | | | | | | | |
|-----------------------|-----|----|----|----|-----|-------|------|
| P | PRP | AG | SG | ST | CP1 | CP211 | XRAC |
| ✓ | | | | ✓ | ✓ | | ✓ |

| EQUIVALENT OE # | |
|-----------------|---------------|
| OEM Harley | 42739 08 |
| OEM Honda | 06455 MCF 006 |
| OEM Honda | 06455 MCF 016 |
| OEM Honda | 06435 MEJ 006 |
| OEM Honda | 06435 MEJ 016 |
| OEM Honda | 06455 MBW 006 |
| OEM Honda | 06455 MBW E11 |
| OEM Honda | 06455 MBW E12 |
| OEM Honda | 06455 MAS E01 |

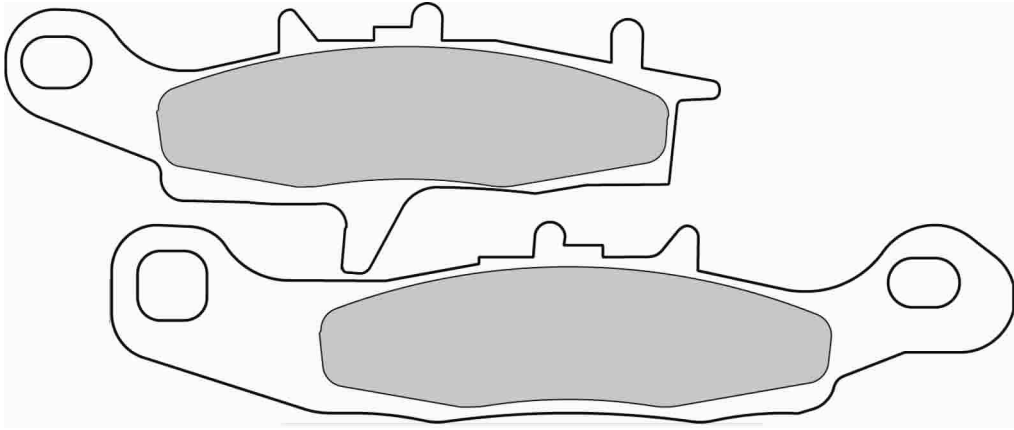
| CROSS REFERENCE | |
|-----------------|----------|
| BREMBO | 07HO4507 |
| CL BRAKES | 2711 |
| EBC | FA265 |
| GALFER | FD 219 |
| LUCAS | MCB73 |
| NEWFREN | .FD.0300 |
| SBS | 860 |
| VESRAH | VD 166/2 |

FDB2080

94.5 x 35.8 x 7.3 mm / 119.7 x 26.6 x 6.8 mm

KAWASAKI, KAWASAKI ATV, SUZUKI

FRONT



| MATERIAL AVAILABILITY | | | | | | | |
|-----------------------|-----|----|----|----|-----|-------|------|
| P | PRP | AG | SG | ST | CP1 | CP211 | XRAC |
| | | | ✓ | | | | |

| EQUIVALENT OE # | |
|-----------------|-------------|
| OEM Kawasaki | 43082 1196 |
| OEM Suzuki | 59301 03820 |

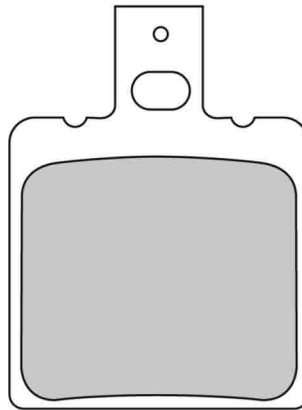
| CROSS REFERENCE | |
|-----------------|----------|
| BREMBO | 07KA22SD |
| CL BRAKES | 2750 |
| EBC | FA258 |
| GALFER | FD 204 |
| GALFER | FD 321 |
| LUCAS | MCB697SI |
| NEWFREN | .FD.0262 |
| SBS | 726 |
| SBS | 798 |
| VESRAH | VD 438 |

FDB2081

39.8 x 56.5 x 8.0 mm

APRILIA, BENELLI, BETA, MALAGUTI

FRONT / REAR



| MATERIAL AVAILABILITY | | | | | | | |
|-----------------------|-----|----|----|----|-----|-------|------|
| P | PRP | AG | SG | ST | CP1 | CP211 | XRAC |
| | | ✓ | | | | | |

| EQUIVALENT OE # | |
|-----------------|---------|
| OEM Aprilia | 8113662 |

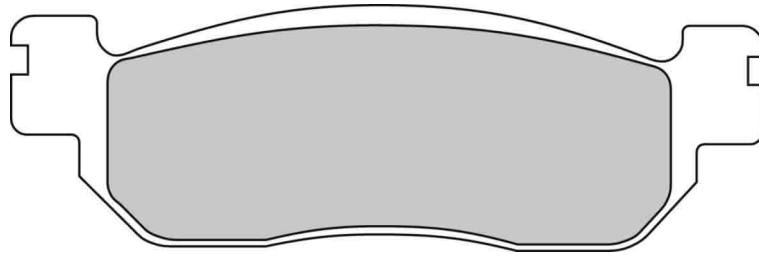
| CROSS REFERENCE | |
|-----------------|----------|
| BREMBO | 07BB1810 |
| CL BRAKES | 2249 |
| EBC | FA047/3 |
| GALFER | FD 232 |
| NEWFREN | .FD.0263 |
| SBS | 646 |
| SBS | 744 |
| VESRAH | VD 911/2 |

FDB2083

99.8 x 31.0 x 9.0 mm

ITALJET, LINHAI, MBK, YAMAHA

FRONT / REAR



| MATERIAL AVAILABILITY | | | | | | | |
|-----------------------|-----|----|----|----|-----|-------|------|
| P | PRP | AG | SG | ST | CP1 | CP211 | XRAC |
| ✓ | | ✓ | | ✓ | | | |

| EQUIVALENT OE # | |
|-----------------|--------------|
| OEM Yamaha | 5LB W0045 00 |
| OEM Yamaha | 5PW W0046 50 |
| OEM Yamaha | 5EK W0045 00 |
| OEM Yamaha | 5EB W0046 00 |
| OEM Yamaha | 5CG W0046 02 |

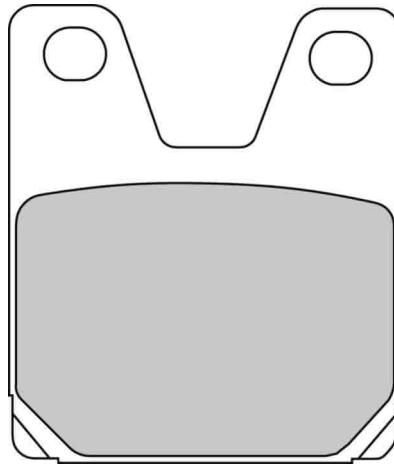
| CROSS REFERENCE | |
|-----------------|----------|
| BREMBO | 7043 |
| CL BRAKES | 2828 |
| CL BRAKES | 3033 |
| EBC | FA275 |
| GALFER | FD 214 |
| NEWFREN | .FD.0259 |
| SBS | 155 |
| SBS | 728 |
| VESRAH | VD 263 |

FDB2084

51.9 x 59.8 x 8.6 mm

YAMAHA

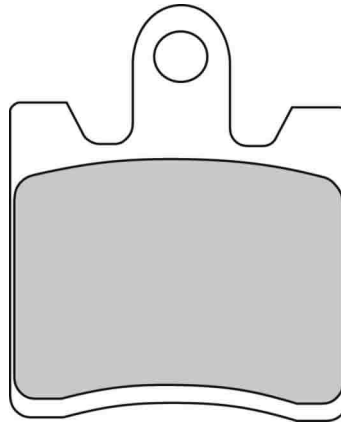
REAR



| MATERIAL AVAILABILITY | | | | | | | |
|-----------------------|-----|----|----|----|-----|-------|------|
| P | PRP | AG | SG | ST | CP1 | CP211 | XRAC |
| ✓ | | | | ✓ | | | |

| EQUIVALENT OE # | |
|-----------------|--------------|
| OEM Yamaha | 4SV W0045 50 |
| OEM Yamaha | 5FL W0046 50 |
| OEM Yamaha | 4X VV0046 10 |

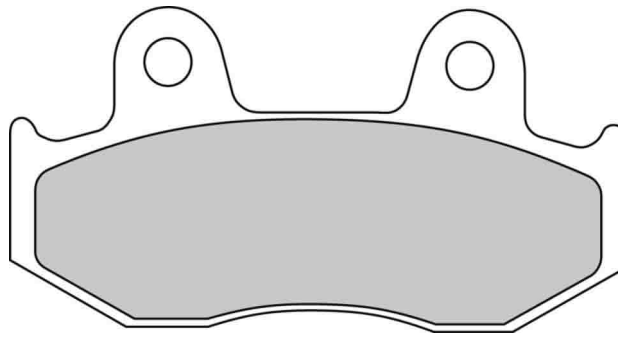
| CROSS REFERENCE | |
|-----------------|----------|
| BREMBO | 07YA3807 |
| CL BRAKES | 2713 |
| EBC | FA267 |
| GALFER | FD 218 |
| LUCAS | MCB72LF |
| NEWFREN | .FD.0261 |
| SBS | 733 |
| VESRAH | VD 264 |



| MATERIAL AVAILABILITY | | | | | | | |
|-----------------------|-----|----|----|----|-----|-------|------|
| P | PRP | AG | SG | ST | CP1 | CP211 | XRAC |
| ✓ | | ✓ | | ✓ | | | |

| EQUIVALENT OE # | |
|-----------------|--------------|
| OEM Suzuki | 59300 14870 |
| OEM Suzuki | 59300 14880 |
| OEM Yamaha | 3P6 W0045 00 |

| CROSS REFERENCE | |
|-----------------|-----------|
| BREMBO | 7037 |
| CL BRAKES | 1175 |
| CL BRAKES | 3049 |
| EBC | FA283 |
| EBC | FA423/4HH |
| EBC | SFA283 |
| GALFER | FD 222 |
| NEWFREN | .FD.0264 |
| SBS | 146 |
| SBS | 740 |
| VESRAH | VD 353 |

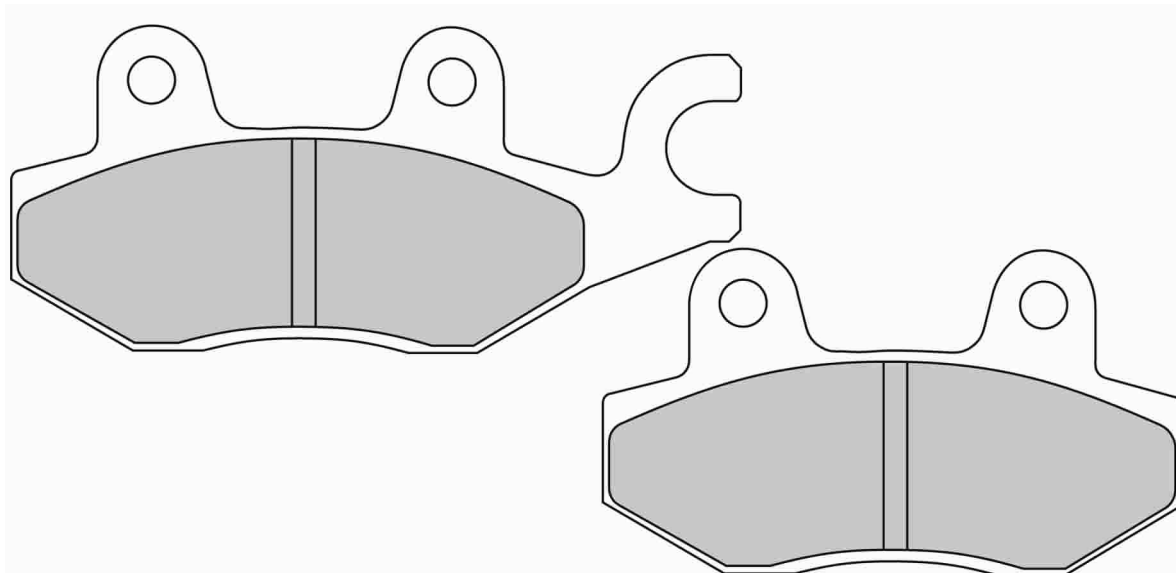


| ALSO AVAILABLE | | |
|----------------|--------|-------|
| SHAPE | TH. MM | NOTES |
| FDB2119 | 9.0 | |
| FDB382 | 7.5 | |

| MATERIAL AVAILABILITY | | | | | | | |
|-----------------------|-----|----|----|----|-----|-------|------|
| P | PRP | AG | SG | ST | CP1 | CP211 | XRAC |
| ✓ | | | | | | | |

| EQUIVALENT OE # | |
|-----------------|-------------|
| OEM Suzuki | 69600 14840 |
| OEM Suzuki | 69100 14840 |
| OEM Suzuki | 69100 14850 |

| CROSS REFERENCE | |
|-----------------|----------|
| BREMBO | 7038 |
| EBC | FA323/3 |
| EBC | SFA323/3 |
| NEWFREN | .FD.0265 |
| SBS | 174 |
| VESRAH | VD 134 |
| VESRAH | VD 136 |



| MATERIAL AVAILABILITY | | | | | | | |
|-----------------------|-----|----|----|----|-----|-------|------|
| P | PRP | AG | SG | ST | CP1 | CP211 | XRAC |
| | | ✔ | | | | | |

| CROSS REFERENCE | |
|-----------------|----------|
| BREMBO | 7033 |
| EBC | FA197 |
| GALFER | FD 145 |
| GALFER | FD 187 |
| NEWFREN | .FD.0257 |
| SBS | 119 |
| SBS | 638 |
| VESRAH | VD 250/2 |

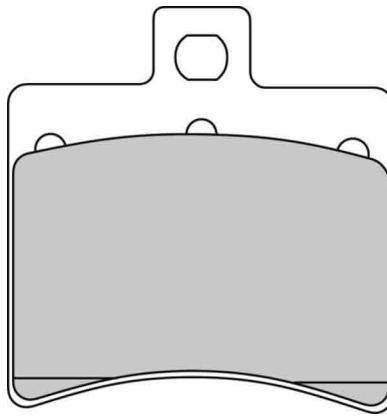
| EQUIVALENT OE # | |
|-----------------|-------------------|
| OEM Honda | 06455 KW6 843 |
| OEM Honda | 06455 KW6 844 |
| OEM Kawasaki | 43082 1238 |
| OEM Kawasaki | 43082 0095 |
| OEM Kymco | 45105 KECE 305 |
| OEM Kymco | 45200 KHC4 900NJA |
| OEM Kymco | 43105 LDH1 E00 |
| OEM Kymco | 45200 KKD6 E90NJA |
| OEM Kymco | 45150 LLB5 305 |
| OEM Kymco | 43150 LEA5 306 |
| OEM Kymco | 45105 KCE3 050M2 |

FDB2090

51.1 x 53.5 x 9.5 mm

APRILIA, BENELLI, BETA, KEEWAY, KSR MOTO BY GENERIC, MALAGUTI, TGB

FRONT / REAR



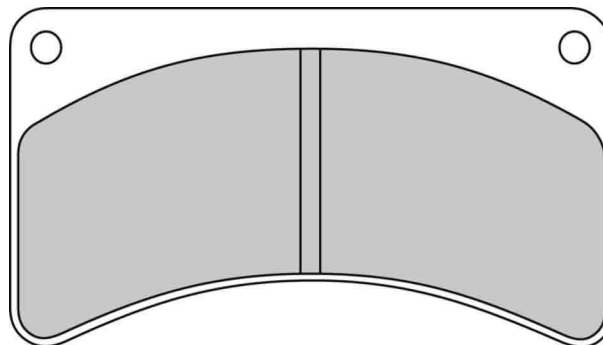
| MATERIAL AVAILABILITY | | | | | | | |
|-----------------------|-----|----|----|----|-----|-------|------|
| P | PRP | AG | SG | ST | CP1 | CP211 | XRAC |
| ✓ | | ✓ | | | | | |

| EQUIVALENT OE # | |
|-----------------|---------|
| OEM Aprilia | 8213577 |
| OEM Aprilia | 8113869 |
| OEM Aprilia | 8133539 |
| OEM Aprilia | 8213506 |
| OEM Aprilia | 8133946 |
| OEM Aprilia | 8133726 |
| OEM Aprilia | 8133845 |

| CROSS REFERENCE | |
|-----------------|----------|
| BREMBO | 7020 |
| EBC | FA298 |
| GALFER | FD 228 |
| NEWFREN | .FD.0267 |
| SBS | 747 |

FDB2091

79.7 x 43.9 x 10.3 mm



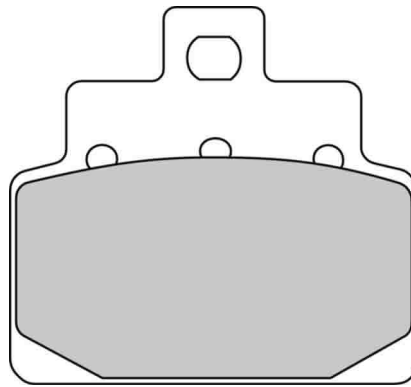
| MATERIAL AVAILABILITY | | | | | | | |
|-----------------------|-----|----|----|----|-----|-------|------|
| P | PRP | AG | SG | ST | CP1 | CP211 | XRAC |
| ✓ | | | | | | | |

FDB2095

54.0 x 50.7 x 8.1 mm

APRILIA

FRONT / REAR



| MATERIAL AVAILABILITY | | | | | | | |
|-----------------------|-----|----|----|----|-----|-------|------|
| P | PRP | AG | SG | ST | CP1 | CP211 | XRAC |
| | | ✓ | | | | | |

| EQUIVALENT OE # | |
|-----------------|---------|
| OEM Aprilia | 8213460 |
| OEM Aprilia | 8213462 |
| OEM Aprilia | 8213460 |

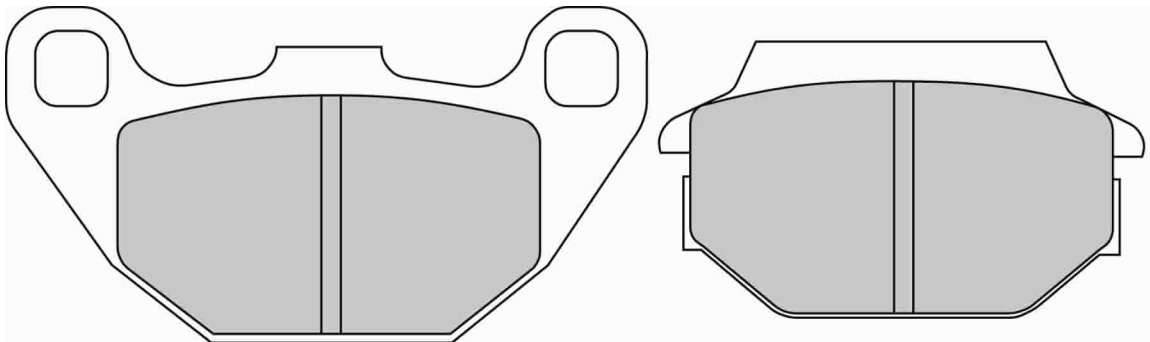
| CROSS REFERENCE | |
|-----------------|----------|
| BREMBO | 7021 |
| EBC | FA301 |
| EBC | SFA301 |
| GALFER | FD 234 |
| NEWFREN | .FD.0271 |
| SBS | 748 |

FDB2096

85.0 x 43.0 x 8.5 mm / 64.0 x 36.8 x 10.9 mm

ARCTIC CAT ATV, KAWASAKI ATV, KYMCO, KYMCO ATV, LAVERDA, SYM

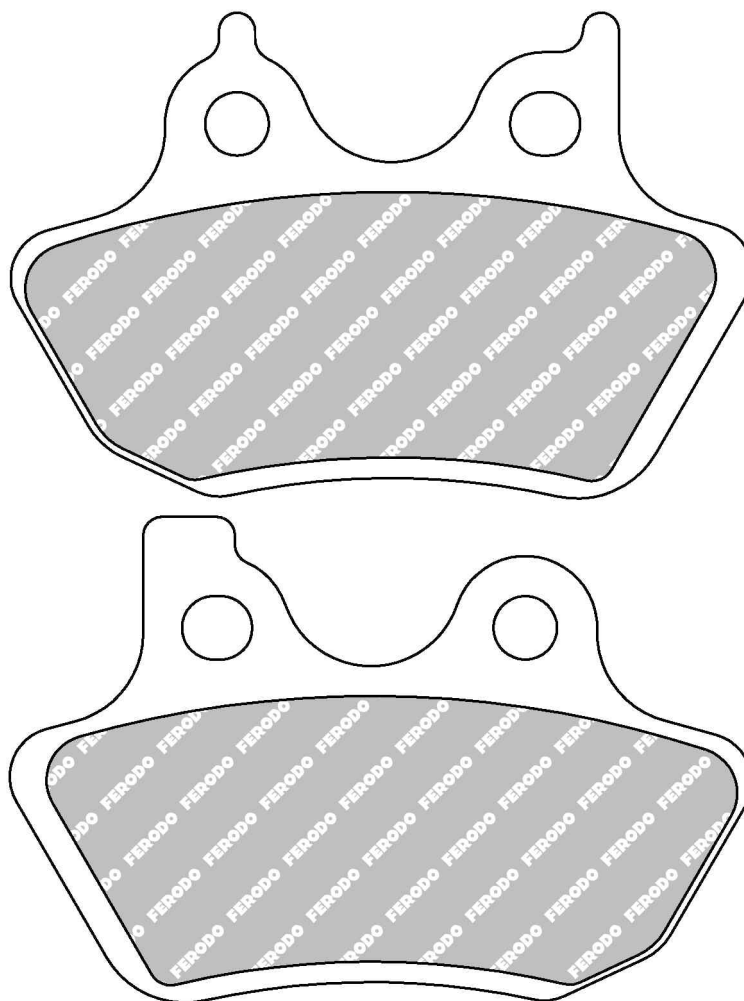
FRONT / REAR



| MATERIAL AVAILABILITY | | | | | | | |
|-----------------------|-----|----|----|----|-----|-------|------|
| P | PRP | AG | SG | ST | CP1 | CP211 | XRAC |
| | | ✓ | ✓ | | | | |

| EQUIVALENT OE # | |
|-----------------|----------------|
| OEM Honda | 45105 KFA6 305 |
| OEM Kymco | 45105 LEJ2 305 |
| OEM Kymco | 45105 H7C 000A |
| OEM Piaggio | 647171 |

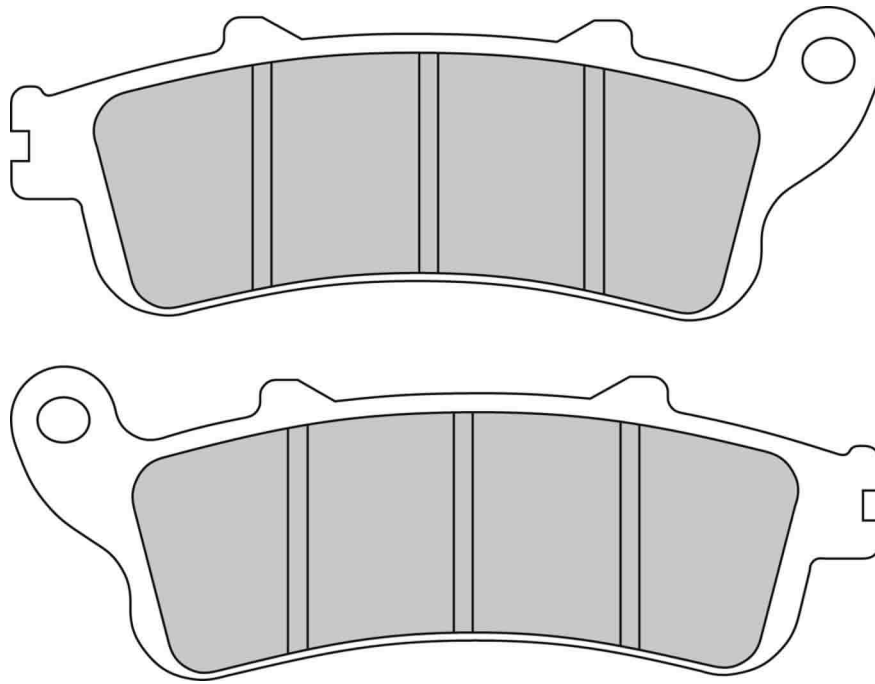
| CROSS REFERENCE | |
|-----------------|----------|
| BREMBO | 7022 |
| CL BRAKES | 1153 |
| EBC | FA305 |
| GALFER | FD 261 |
| NEWFREN | .FD.0269 |
| SBS | 154 |
| SBS | 749 |



| MATERIAL AVAILABILITY | | | | | | | |
|-----------------------|-----|----|----|----|-----|-------|------|
| P | PRP | AG | SG | ST | CP1 | CP211 | XRAC |
| ✓ | ✓ | | | ✓ | | | |

| EQUIVALENT OE # | |
|-----------------|----------|
| OEM Harley | 44082 00 |

| CROSS REFERENCE | |
|-----------------|----------|
| BREMBO | 07HD1210 |
| CL BRAKES | 2958 |
| EBC | FA299 |
| EBC | FA400 |
| GALFER | FD 235 |
| LUCAS | MCB711 |
| NEWFREN | .FD.0290 |
| SBS | 750 |



| ALSO AVAILABLE | | |
|----------------|--------|-------|
| SHAPE | TH. MM | NOTES |
| FDB2075 | 9.4 | |

| MATERIAL AVAILABILITY | | | | | | | |
|-----------------------|-----|----|----|----|-----|-------|------|
| P | PRP | AG | SG | ST | CP1 | CP211 | XRAC |
| ✓ | | | | ✓ | | | |

| EQUIVALENT OE # | |
|-----------------|---------------|
| OEM Honda | 06455 MEA 671 |
| OEM Honda | 06455 MEA 672 |
| OEM Honda | 06455MFAD12 |
| OEM Honda | 06456 MCC 006 |
| OEM Honda | 06435 MBL D00 |
| OEM Honda | 06435 MBL D01 |
| OEM Honda | 06435 MBL D02 |
| OEM Honda | 06455 MBG 006 |
| OEM Honda | 06435 MAT 006 |
| OEM Honda | 06435 MAT 016 |
| OEM Honda | 06455 MBT 611 |
| OEM Honda | 06455 MBT 612 |
| OEM Honda | 06456 MCA 006 |
| OEM Honda | 06456 MCA 006 |
| OEM Honda | 06456 MCA 016 |
| OEM Honda | 06435 MCA 006 |
| OEM Honda | 06455 MAT E21 |
| OEM Honda | 06455 MAT E22 |
| OEM Honda | 06435 MCH 006 |

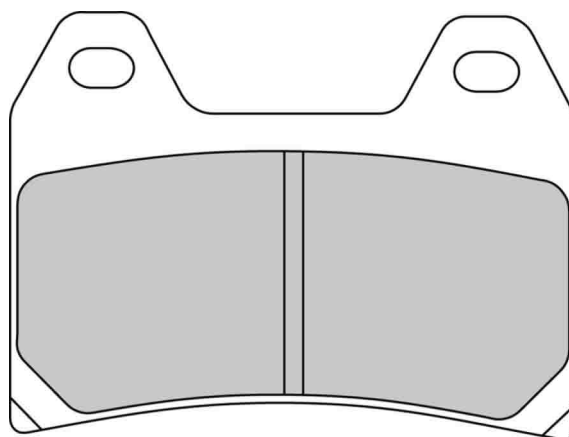
| CROSS REFERENCE | |
|-----------------|----------|
| BREMBO | 07HO4206 |
| CL BRAKES | 2602 |
| EBC | FA261 |
| GALFER | FD 205 |
| NEWFREN | .FD.0254 |
| SBS | 721 |
| SBS | 722 |
| VESRAH | VD 165/2 |

FDB2099

75.2 x 55.2 x 7.6 mm

APRILIA, HONDA, HUSQVARNA

FRONT



| ALSO AVAILABLE | | |
|----------------|--------|-------|
| SHAPE | TH. MM | NOTES |
| FDB2042 | 9.4 | |

| MATERIAL AVAILABILITY | | | | | | | |
|-----------------------|-----|----|----|----|-----|-------|------|
| P | PRP | AG | SG | ST | CP1 | CP211 | XRAC |
| ✓ | | | | | | | |

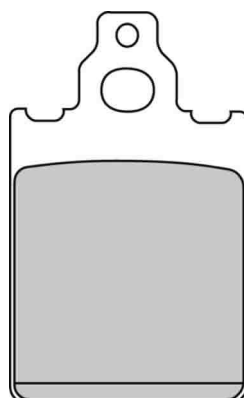
| CROSS REFERENCE | |
|-----------------|----------|
| CL BRAKES | 2539 |
| EBC | FA244 |
| NEWFREN | .FD.0273 |
| SBS | 727 |
| VESRAH | VD 262/2 |

FDB2100

31.7 x 51.1 x 6.0 mm

PIAGGIO

FRONT



| MATERIAL AVAILABILITY | | | | | | | |
|-----------------------|-----|----|----|----|-----|-------|------|
| P | PRP | AG | SG | ST | CP1 | CP211 | XRAC |
| | | ✓ | | | | | |

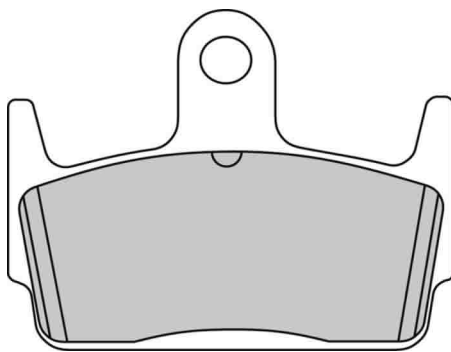
| CROSS REFERENCE | |
|-----------------|----------|
| BREMBO | 07GR2004 |
| CL BRAKES | 2260 |
| CL BRAKES | 3005 |
| GALFER | FD 152 |
| NEWFREN | .FD.0266 |
| SBS | 680 |
| VESRAH | VD 949 |

FDB2101

59.1 x 44.6 x 9.6 mm

HONDA, KYMCO, SYM

REAR



| MATERIAL AVAILABILITY | | | | | | | |
|-----------------------|-----|----|----|----|-----|-------|------|
| P | PRP | AG | SG | ST | CP1 | CP211 | XRAC |
| | | ✓ | | | | | |

| EQUIVALENT OE # | |
|-----------------|----------------|
| OEM Honda | 06435 GCM 902 |
| OEM Sym | 45105 TFA 000A |

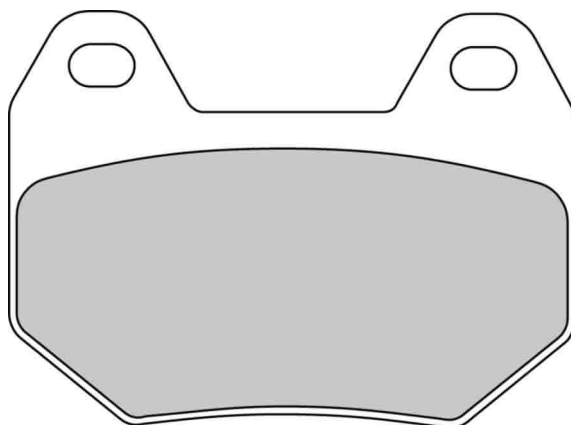
| CROSS REFERENCE | |
|-----------------|----------|
| BREMBO | 7016 |
| CL BRAKES | 3041 |
| EBC | FA234 |
| EBC | SFA234 |
| GALFER | FD 166 |
| NEWFREN | .FD.0224 |
| SBS | 710 |

FDB2102

74.9 x 54.5 x 9.0 mm

BMW

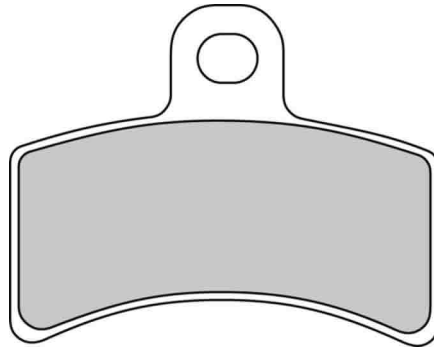
REAR



| MATERIAL AVAILABILITY | | | | | | | |
|-----------------------|-----|----|----|----|-----|-------|------|
| P | PRP | AG | SG | ST | CP1 | CP211 | XRAC |
| ✓ | | | | ✓ | | | |

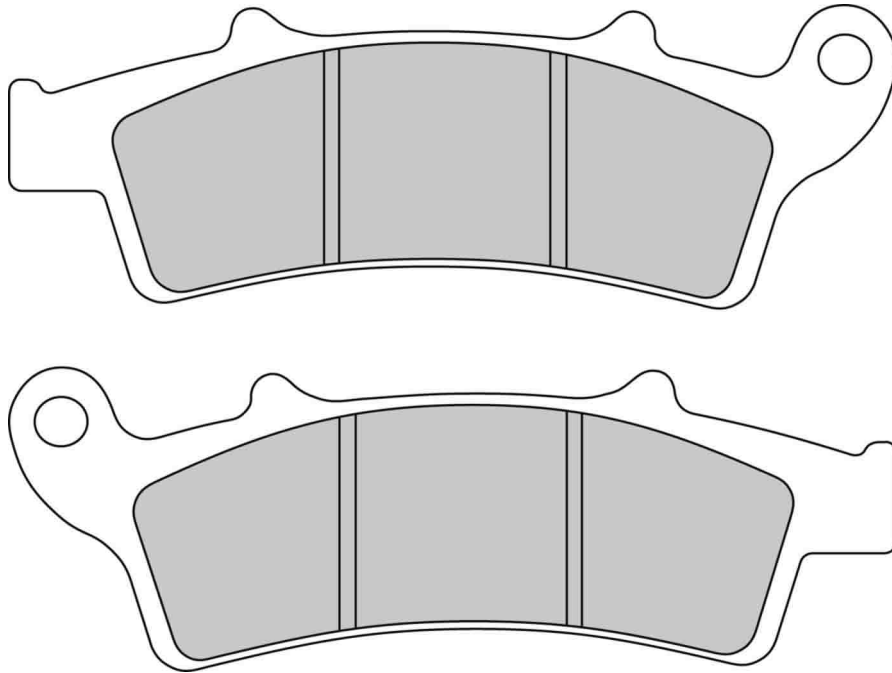
| EQUIVALENT OE # | |
|-----------------|-----------------|
| OEM BMW | 34 21 2 333 337 |
| OEM BMW | 34 21 7 680 375 |
| OEM BMW | 34 21 7 657 492 |

| CROSS REFERENCE | |
|-----------------|----------|
| BREMBO | 07BB2507 |
| CL BRAKES | 2987 |
| EBC | FA304 |
| GALFER | FD 251 |
| LUCAS | MCB713LF |
| NEWFREN | .FD.0277 |
| SBS | 746 |



| MATERIAL AVAILABILITY | | | | | | | |
|-----------------------|-----|----|----|----|-----|-------|------|
| P | PRP | AG | SG | ST | CP1 | CP211 | XRAC |
| ✓ | | | | | | | |

| CROSS REFERENCE | |
|-----------------|----------|
| BREMBO | 07GR5105 |
| EBC | FA291 |
| GALFER | FD 225 |
| LUCAS | MCB770 |
| NEWFREN | .FD.0268 |
| SBS | 815 |



| MATERIAL AVAILABILITY | | | | | | | |
|-----------------------|-----|----|----|----|-----|-------|------|
| P | PRP | AG | SG | ST | CP1 | CP211 | XRAC |
| | | ✔ | | | | | |

| EQUIVALENT OE # | |
|-----------------|---------|
| OEM Aprilia | 8133815 |
| OEM Aprilia | 8133761 |
| OEM Aprilia | 8133603 |

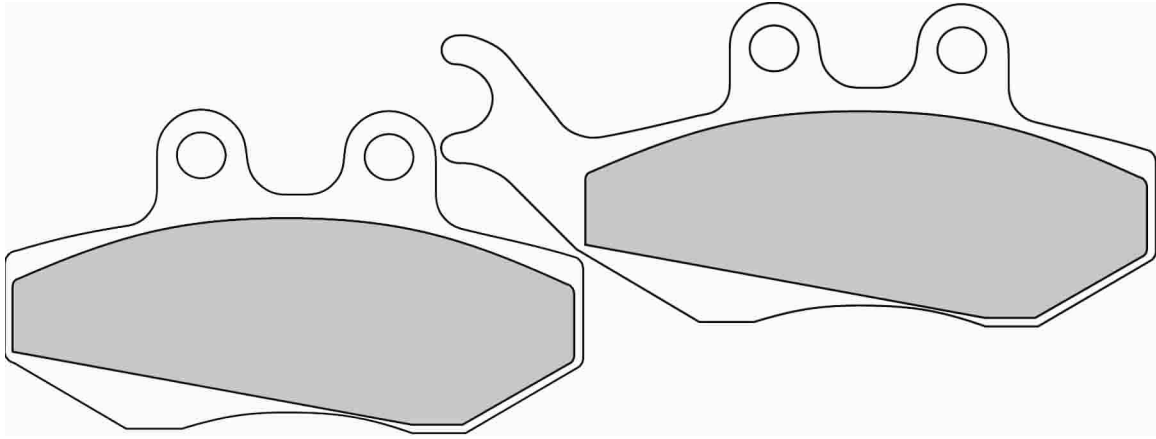
| CROSS REFERENCE | |
|-----------------|----------|
| BREMBO | 7045 |
| CL BRAKES | 3056 |
| EBC | FA324 |
| EBC | SFA324 |
| GALFER | FD 245 |
| NEWFREN | .FD.0282 |
| SBS | 761 |
| VESRAH | VD 9017 |

FDB2106

94.6 x 42.0 x 7.6 mm / 77.1 x 42.1 x 7.6 mm

AJP, CPI, DERBI, KEEWAY, KSR MOTO BY GENERIC, MALAGUTI, SHERCO, YAMAHA

FRONT



| ALSO AVAILABLE | | |
|----------------|--------|-------|
| SHAPE | TH. MM | NOTES |
| FDB677 | 7.5 | |

| MATERIAL AVAILABILITY | | | | | | | |
|-----------------------|-----|----|----|----|-----|-------|------|
| P | PRP | AG | SG | ST | CP1 | CP211 | XRAC |
| | | ✓ | | | | | |

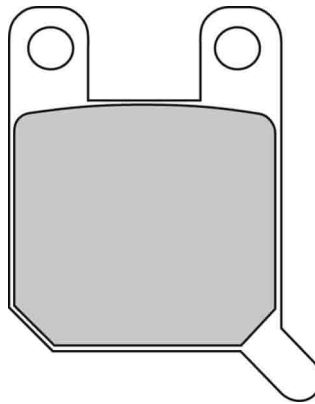
| CROSS REFERENCE | |
|-----------------|----------|
| BREMBO | 7012 |
| CL BRAKES | 1146 |
| EBC | FA194 |
| NEWFREN | .FD.0281 |
| SBS | 774 |

FDB2107

41.3 x 51.5 x 6.0 mm

ALFER, APRILIA, BETA, BULTACO, CPI, DERBI, FANTIC, FB MINARELLI, GASGAS, MONTESA, MONTESA (HONDA), PUCH, RIEJU, SHERCO, YAMAHA

FRONT / REAR



| MATERIAL AVAILABILITY | | | | | | | |
|-----------------------|-----|----|----|----|-----|-------|------|
| P | PRP | AG | SG | ST | CP1 | CP211 | XRAC |
| ✓ | | | | | | | |

| EQUIVALENT OE # | |
|-----------------|--------------|
| OEM Derbi | 00D01 210221 |

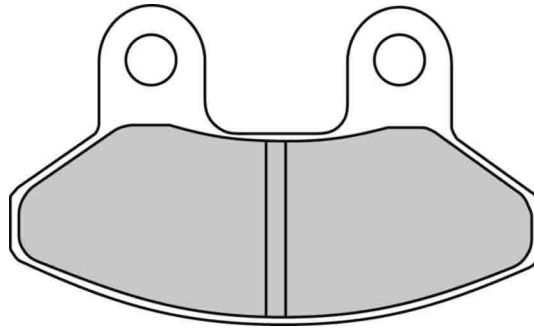
| CROSS REFERENCE | |
|-----------------|----------|
| BREMBO | 07BB1205 |
| CL BRAKES | 2377 |
| GALFER | FD 065 |
| LUCAS | MCB535 |
| NEWFREN | .FD.0142 |
| SBS | 559 |
| VESRAH | VD 254 |
| VESRAH | VD 925 |

FDB2108

70.2 x 41.8 x 8.1 mm

LAVERDA, SYM

FRONT



| MATERIAL AVAILABILITY | | | | | | | |
|-----------------------|-----|----|----|----|-----|-------|------|
| P | PRP | AG | SG | ST | CP1 | CP211 | XRAC |
| | | ✓ | | | | | |

| EQUIVALENT OE # | |
|-----------------|----------------|
| OEM Sym | 45105 H3A 900A |
| OEM Sym | 45105 H3A 000A |

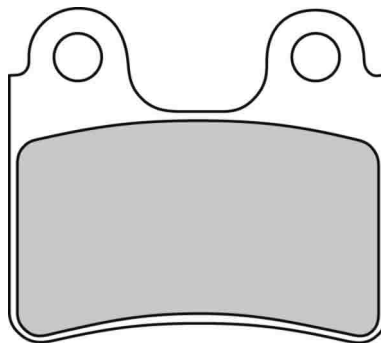
| CROSS REFERENCE | |
|-----------------|----------|
| BREMBO | 7062 |
| EBC | FA306 |
| EBC | SFA306 |
| NEWFREN | .FD.0293 |
| SBS | 178 |
| SBS | 792 |

FDB2109

50.1 x 43.5 x 6.0 mm

AJP, BETA, GASGAS, MONTESA (HONDA), SHERCO

FRONT / REAR



| MATERIAL AVAILABILITY | | | | | | | |
|-----------------------|-----|----|----|----|-----|-------|------|
| P | PRP | AG | SG | ST | CP1 | CP211 | XRAC |
| ✓ | | | ✓ | | | | |

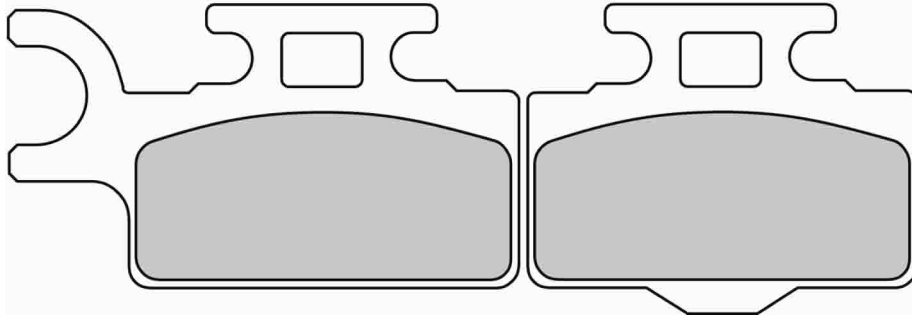
| CROSS REFERENCE | |
|-----------------|----------|
| BREMBO | 07GR5804 |
| EBC | FA303 |
| GALFER | FD 223 |
| LUCAS | MCB766 |
| NEWFREN | .FD.0292 |
| SBS | 802 |

FDB2110

67.7 x 36.5 x 7.5 mm / 51.9 x 40.0 x 7.5 mm

KAWASAKI, SUZUKI

FRONT



| MATERIAL AVAILABILITY | | | | | | | |
|-----------------------|-----|----|----|----|-----|-------|------|
| P | PRP | AG | SG | ST | CP1 | CP211 | XRAC |
| | | | ✓ | | | | |

| EQUIVALENT OE # | |
|-----------------|-------------|
| OEM Kawasaki | 43082 1242 |
| OEM Kawasaki | K43082 1242 |
| OEM Kawasaki | K43082 0042 |

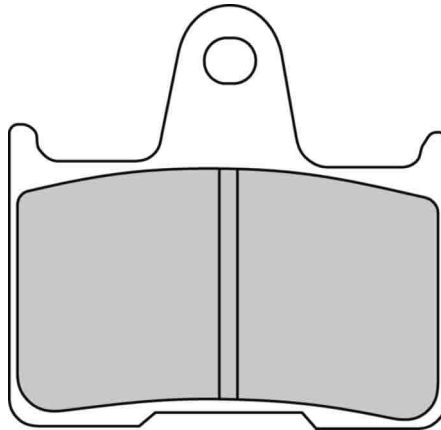
| CROSS REFERENCE | |
|-----------------|----------|
| BREMBO | 07KA27SD |
| CL BRAKES | 1034 |
| EBC | FA302 |
| GALFER | FD 254 |
| LUCAS | MCB714SX |
| NEWFREN | .FD.0295 |
| SBS | 752 |
| VESRAH | VD 440 |

FDB2111

59.9 x 57.2 x 8.1 mm

HONDA, KAWASAKI, SUZUKI, YAMAHA SNOWMOBILE

REAR



| MATERIAL AVAILABILITY | | | | | | | |
|-----------------------|-----|----|----|----|-----|-------|------|
| P | PRP | AG | SG | ST | CP1 | CP211 | XRAC |
| ✓ | | | ✓ | ✓ | | | |

| EQUIVALENT OE # | |
|-----------------|-------------|
| OEM Kawasaki | 43082 0055 |
| OEM Suzuki | 69100 18810 |
| OEM Suzuki | 69100 47820 |
| OEM Suzuki | 69100 40840 |
| OEM Suzuki | 69100 40820 |

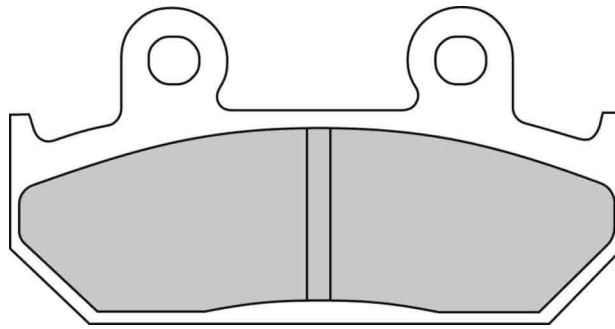
| CROSS REFERENCE | |
|-----------------|----------|
| BREMBO | 07KA2107 |
| CL BRAKES | 2813 |
| EBC | FA254 |
| GALFER | FD 267 |
| LUCAS | MCB691LF |
| NEWFREN | .FD.0272 |
| SBS | 715 |
| SBS | 765 |
| VESRAH | VD 436 |

FDB2113

81.2 x 42.0 x 9.5 mm

HONDA

FRONT



| ALSO AVAILABLE | | |
|----------------|--------|-------|
| SHAPE | TH. MM | NOTES |
| FDB462 | 8.0 | |

| MATERIAL AVAILABILITY | | | | | | | |
|-----------------------|-----|----|----|----|-----|-------|------|
| P | PRP | AG | SG | ST | CP1 | CP211 | XRAC |
| ✓ | | | | | | | |

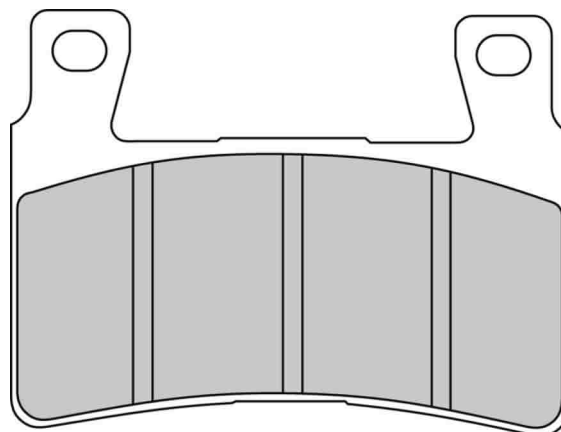
| CROSS REFERENCE | |
|-----------------|----------|
| BREMBO | 07HO2107 |
| CL BRAKES | 2252 |
| EBC | FA203 |
| GALFER | FD 096 |
| LUCAS | MCB562 |
| SBS | 593 |
| VESRAH | VD 142 |

FDB2114

74.0 x 55.1 x 7.1 mm

HARLEY DAVIDSON, HONDA

FRONT



| ALSO AVAILABLE | | |
|----------------|--------|-------|
| SHAPE | TH. MM | NOTES |
| FDB2079 | 9.0 | |

| MATERIAL AVAILABILITY | | | | | | | |
|-----------------------|-----|----|----|----|-----|-------|------|
| P | PRP | AG | SG | ST | CP1 | CP211 | XRAC |
| ✓ | | | | ✓ | | | ✓ |

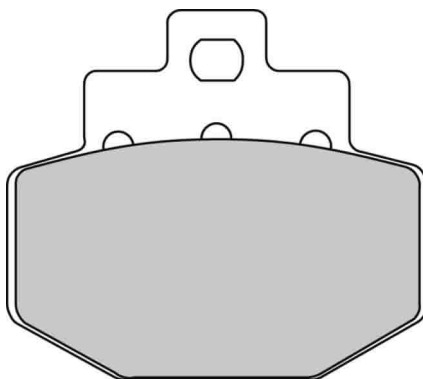
| CROSS REFERENCE | |
|-----------------|----------|
| BREMBO | 07HO4507 |
| CL BRAKES | 2711 |
| EBC | FA296 |
| EBC | FA296HH |
| GALFER | FD 219 |
| LUCAS | MCB73 |
| NEWFREN | .FD.0258 |
| SBS | 734 |
| VESRAH | VD 166 |

FDB2115

55.6 x 49.1 x 7.2 mm

BENELLI, GILERA, PIAGGIO

FRONT / REAR



| MATERIAL AVAILABILITY | | | | | | | |
|-----------------------|-----|----|----|----|-----|-------|------|
| P | PRP | AG | SG | ST | CP1 | CP211 | XRAC |
| ✓ | | ✓ | | | | | |

| EQUIVALENT OE # | |
|-----------------|--------|
| OEM Piaggio | 497002 |
| OEM Piaggio | 647161 |

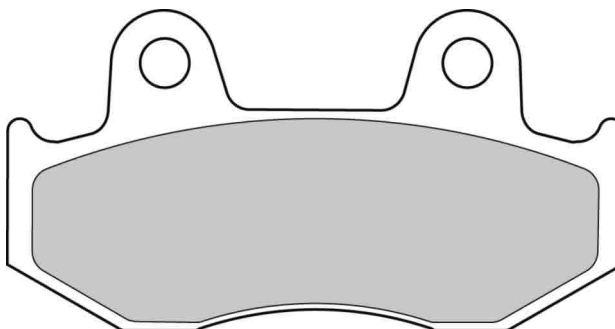
| CROSS REFERENCE | |
|-----------------|----------|
| BREMBO | 7047 |
| CL BRAKES | 3054 |
| EBC | FA321 |
| EBC | SFA321 |
| NEWFREN | .FD.0298 |
| SBS | 772 |

FDB2119

81.3 x 42.1 x 9.4 mm

HONDA, YAMAHA ATV

FRONT / REAR



| ALSO AVAILABLE | | |
|----------------|--------|-------|
| SHAPE | TH. MM | NOTES |
| FDB2086 | 8.0 | |
| FDB382 | 7.5 | |

| MATERIAL AVAILABILITY | | | | | | | |
|-----------------------|-----|----|----|----|-----|-------|------|
| P | PRP | AG | SG | ST | CP1 | CP211 | XRAC |
| ✓ | | ✓ | ✓ | | | | |

| EQUIVALENT OE # | |
|-----------------|---------------|
| OEM Honda | 06455 GCS 006 |
| OEM Honda | 06455 GCS 016 |

| CROSS REFERENCE | |
|-----------------|----------|
| BREMBO | 7038 |
| CL BRAKES | 3019 |
| EBC | FA323 |
| GALFER | FD 284 |
| NEWFREN | .FD.0304 |
| SBS | 781 |

APRILIA, BENELLI, BIMOTA, CAGIVA, DERBI, DUCATI, HUSQVARNA, KTM, LAVERDA, MOTO GUZZI, MV AGUSTA, SHERCO, TM, TRIUMPH

FRONT

Set of 4 Pads



| ALSO AVAILABLE | | |
|----------------|--------|---------------------|
| SHAPE | TH. MM | NOTES |
| FDB2215 | 8.5 | Racing Applications |

| MATERIAL AVAILABILITY | | | | | | | |
|-----------------------|-----|----|----|----|-----|-------|------|
| P | PRP | AG | SG | ST | CP1 | CP211 | XRAC |
| | | | | ✓ | | | ✓ |

| EQUIVALENT OE # | |
|-----------------|---------------|
| OEM Aprilia | 8133886 |
| OEM Aprilia | 8113972 |
| OEM Aprilia | 8133592 |
| OEM Benelli | R180263110000 |
| OEM Benelli | R180400126000 |
| OEM Cagiva | 8000 A6416 |
| OEM Cagiva | 8000 A7417 |
| OEM Ducati | 61340301A |
| OEM KTM | 61013030100 |
| OEM KTM | 61013030000 |
| OEM KTM | 61013019000 |

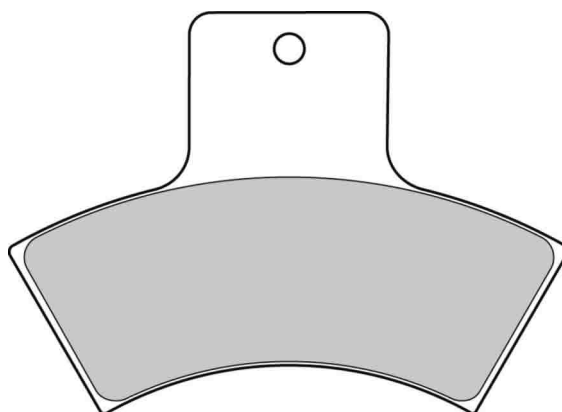
| CROSS REFERENCE | |
|-----------------|----------|
| BREMBO | 07BB0510 |
| CL BRAKES | 1033 |
| EBC | FA322 |
| EBC | FA322/4 |
| LUCAS | MCB721 |
| NEWFREN | .FD.0305 |
| SBS | 762 |

FDB2121

74.2 x 53.2 x 7.0 mm

POLARIS ATV, QUADZILLA

FRONT / REAR



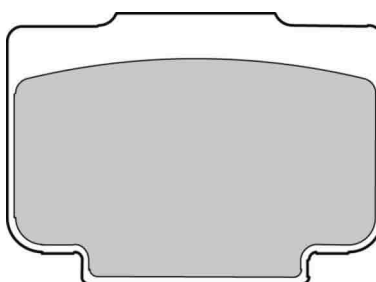
| MATERIAL AVAILABILITY | | | | | | | |
|-----------------------|-----|----|----|----|-----|-------|------|
| P | PRP | AG | SG | ST | CP1 | CP211 | XRAC |
| | | | ✓ | | | | |

| EQUIVALENT OE # | |
|-----------------|---------|
| OEM Polaris | 2201093 |

| CROSS REFERENCE | |
|-----------------|----------|
| BREMBO | 07PO04 |
| CL BRAKES | 2925 |
| EBC | FA270 |
| LUCAS | MCB762 |
| NEWFREN | .FD.0294 |
| SBS | 755 |
| VESRAH | VD 963 |

FDB2122

49.8 x 36.0 x 8.1 mm



| MATERIAL AVAILABILITY | | | | | | | |
|-----------------------|-----|----|----|----|-----|-------|------|
| P | PRP | AG | SG | ST | CP1 | CP211 | XRAC |
| ✉ | | | | | | | |

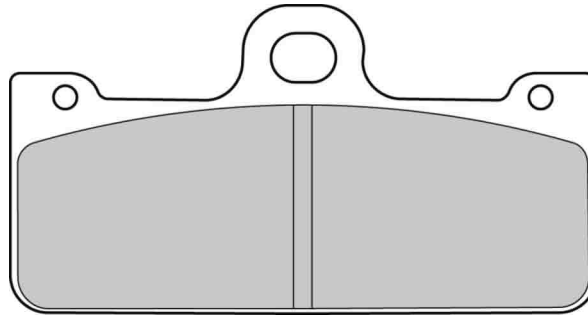
| CROSS REFERENCE | |
|-----------------|------------|
| BREMBO | 07.9340.10 |
| NEWFREN | .FD.0340 |

FDB2123

77.8 x 40.8 x 10.0 mm

APRILIA, HUSQVARNA, MOTO GUZZI

FRONT



| ALSO AVAILABLE | | |
|----------------|--------|-------|
| SHAPE | TH. MM | NOTES |
| FDB2007 | 8.3 | |

| MATERIAL AVAILABILITY | | | | | | | |
|-----------------------|-----|----|----|----|-----|-------|------|
| P | PRP | AG | SG | ST | CP1 | CP211 | XRAC |
| | | | | | ✓ | | ✓ |

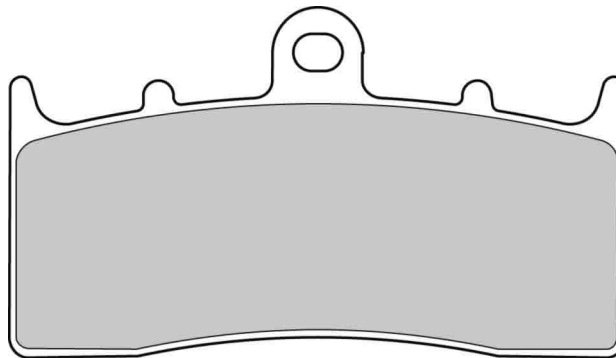
| CROSS REFERENCE | |
|-----------------|----------|
| CL BRAKES | 2329 |
| EBC | FA218/2 |
| NEWFREN | .FD.0339 |
| SBS | 711 |

FDB2124

81.7 x 46.2 x 9.0 mm

BMW, KAWASAKI

FRONT



| MATERIAL AVAILABILITY | | | | | | | |
|-----------------------|-----|----|----|----|-----|-------|------|
| P | PRP | AG | SG | ST | CP1 | CP211 | XRAC |
| ✓ | | | | ✓ | | | |

| EQUIVALENT OE # | |
|-----------------|-----------------|
| OEM BMW | 34 11 7 655 898 |
| OEM BMW | 34 11 7 658 386 |
| OEM BMW | 34 11 7 690 169 |
| OEM BMW | 34 11 7 690 170 |

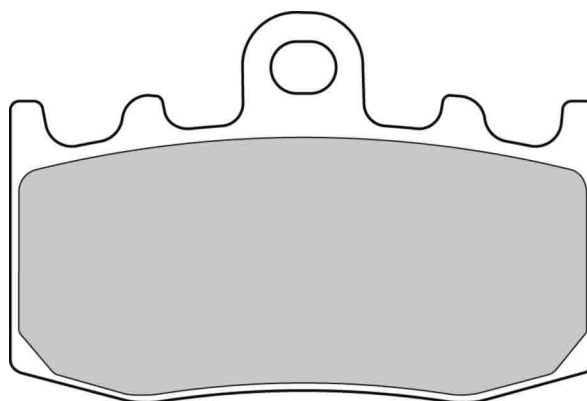
| CROSS REFERENCE | |
|-----------------|----------|
| BREMBO | 07GR6207 |
| CL BRAKES | 2960 |
| EBC | FA294 |
| EBC | FA613 |
| GALFER | FD 272 |
| LUCAS | MCB736 |
| NEWFREN | .FD.0319 |
| SBS | 778 |
| VESRAH | VD 439 |

FDB2125

77.6 x 51.8 x 8.5 mm

BMW

FRONT



| MATERIAL AVAILABILITY | | | | | | | |
|-----------------------|-----|----|----|----|-----|-------|------|
| P | PRP | AG | SG | ST | CP1 | CP211 | XRAC |
| ✓ | | | | ✓ | | | |

| EQUIVALENT OE # | |
|-----------------|-----------------|
| OEM BMW | 34 11 7 683 064 |
| OEM BMW | 34 11 7 671 780 |
| OEM BMW | 34 11 7 660 448 |
| OEM BMW | 34 11 7 690 259 |
| OEM Kawasaki | 43082 1217 |

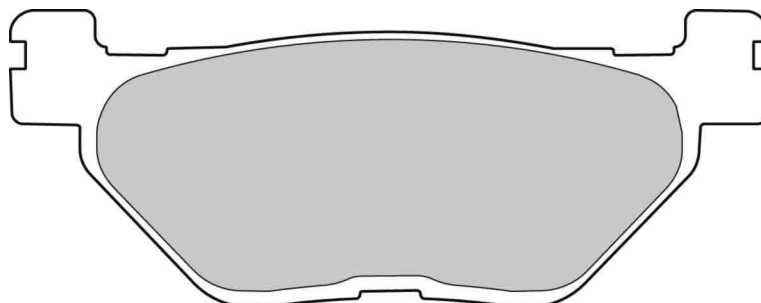
| CROSS REFERENCE | |
|-----------------|----------|
| BREMBO | 07BB2607 |
| CL BRAKES | 1101 |
| EBC | FA335 |
| GALFER | FD 271 |
| LUCAS | MCB748 |
| NEWFREN | .FD.0320 |
| SBS | 796 |

FDB2126

100.3 x 39.3 x 12.0 mm

SYM, YAMAHA

REAR



| MATERIAL AVAILABILITY | | | | | | | |
|-----------------------|-----|----|----|----|-----|-------|------|
| P | PRP | AG | SG | ST | CP1 | CP211 | XRAC |
| ✓ | | | | | | | |

| EQUIVALENT OE # | |
|-----------------|--------------|
| OEM YAMAHA | 5GJ W0046 00 |
| OEM YAMAHA | 59C 25806 00 |
| OEM YAMAHA | 5GJ 25806 00 |

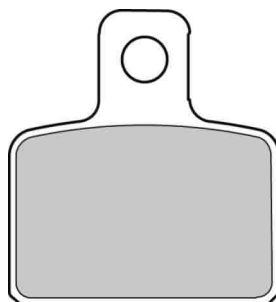
| CROSS REFERENCE | |
|-----------------|----------|
| BREMBO | 7052 |
| CL BRAKES | 1084 |
| EBC | FA319 |
| EBC | SFA319 |
| GALFER | FD 260 |
| NEWFREN | .FD.0316 |
| SBS | 768 |
| VESRAH | VD 269 |

FDB2127

36.0 x 39.2 x 6.0 mm

BETA, GASGAS, HUSQVARNA, MONTESA, SCORPA, SHERCO

FRONT / REAR



| MATERIAL AVAILABILITY | | | | | | | |
|-----------------------|-----|----|----|----|-----|-------|------|
| P | PRP | AG | SG | ST | CP1 | CP211 | XRAC |
| | | | ✓ | | | | |

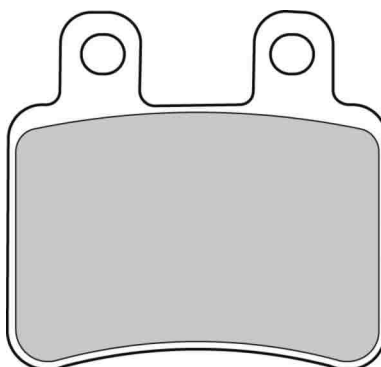
| CROSS REFERENCE | |
|-----------------|----------|
| BREMBO | 07BB2407 |
| EBC | FA351 |
| GALFER | FD 198 |
| LUCAS | MCB680 |
| SBS | 803 |
| VESRAH | VD 9003 |

FDB2128

50.3 x 47.5 x 7.0 mm

DERBI, HONDA, ITALJET, PEUGEOT, SCORPA, SHERCO, YAMAHA

FRONT / REAR



| MATERIAL AVAILABILITY | | | | | | | |
|-----------------------|-----|----|----|----|-----|-------|------|
| P | PRP | AG | SG | ST | CP1 | CP211 | XRAC |
| | | ✓ | | | | | |

| EQUIVALENT OE # | |
|-----------------|--------------|
| OEM Yamaha | 3D6 F5811 00 |

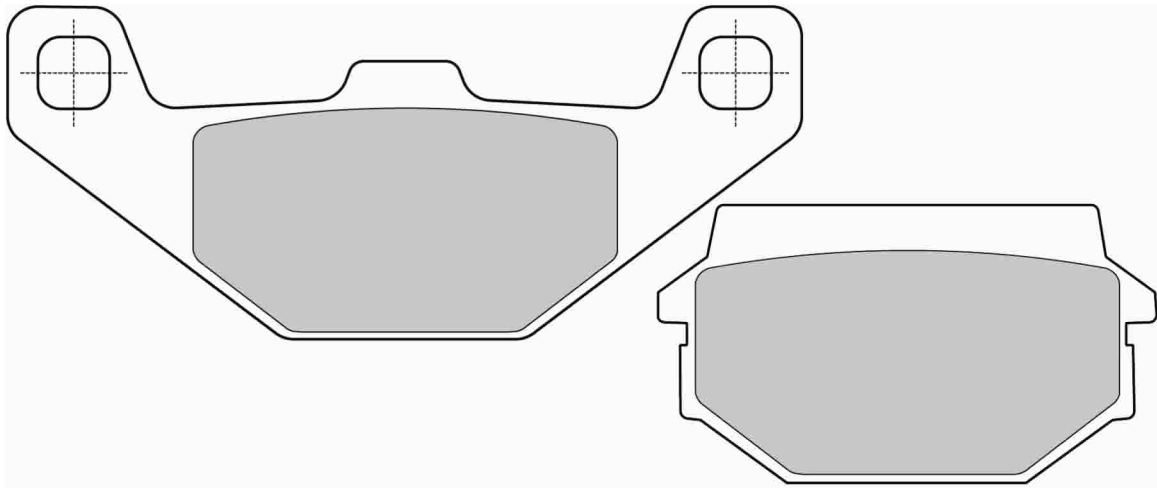
| CROSS REFERENCE | |
|-----------------|----------|
| BREMBO | 7048 |
| EBC | FA350 |
| GALFER | FD 270 |
| NEWFREN | .FD.0323 |
| SBS | 773 |

FDB2129

105.3 x 44.2 x 7.9 mm / 66.1 x 36.9 x 12.7 mm

SYM

FRONT



| MATERIAL AVAILABILITY | | | | | | | |
|-----------------------|-----|----|----|----|-----|-------|------|
| P | PRP | AG | SG | ST | CP1 | CP211 | XRAC |
| | | ⚠ | ⚠ | | | | |

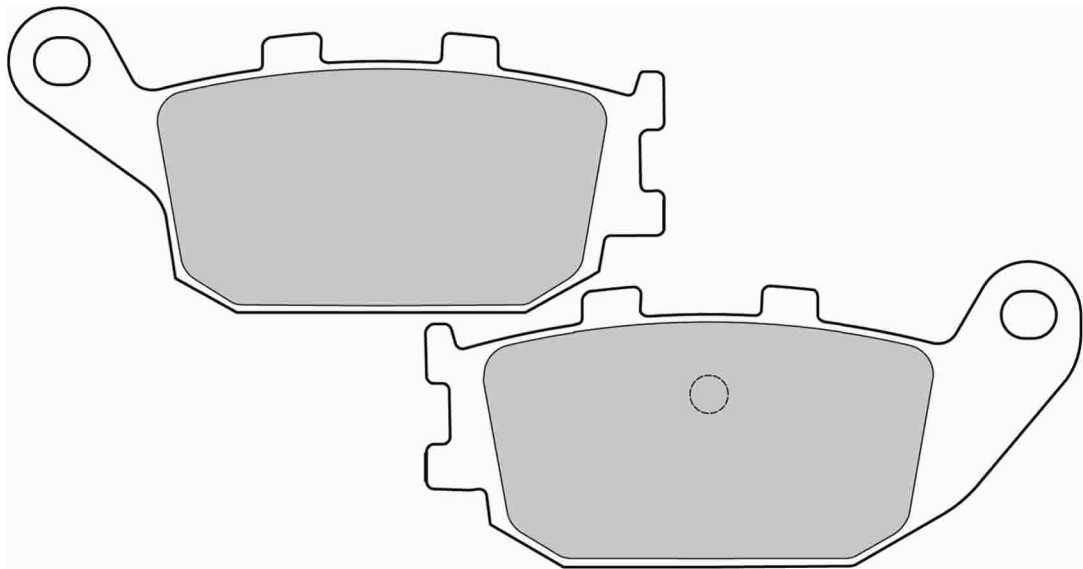
| CROSS REFERENCE | |
|-----------------|----------|
| BREMBO | 7023 |
| EBC | FA297 |
| NEWFREN | .FD.0296 |
| SBS | 745 |

FDB2130

87.0 x 40.3 x 8.9 mm

HONDA

REAR



| MATERIAL AVAILABILITY | | | | | | | |
|-----------------------|-----|----|----|----|-----|-------|------|
| P | PRP | AG | SG | ST | CP1 | CP211 | XRAC |
| | | ✓ | | | | | |

| EQUIVALENT OE # | |
|-----------------|---------------|
| OEM Honda | 06435 KPB 016 |
| OEM Honda | 06435 KPB 026 |

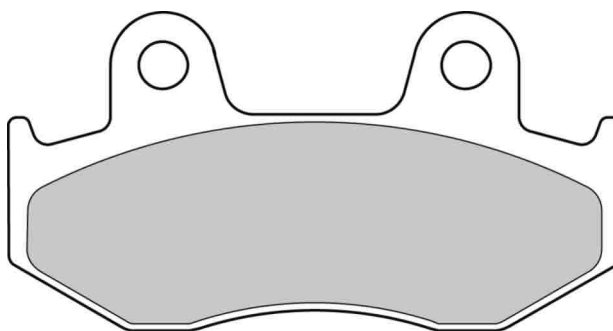
| CROSS REFERENCE | |
|-----------------|----------|
| BREMBO | 7053 |
| EBC | FA358 |
| EBC | SFA358 |
| NEWFREN | .FD.0324 |
| SBS | 753 |
| VESRAH | VD 169 |

FDB2132

81.2 x 42.2 x 8.3 mm

SUZUKI

REAR



| MATERIAL AVAILABILITY | | | | | | | |
|-----------------------|-----|----|----|----|-----|-------|------|
| P | PRP | AG | SG | ST | CP1 | CP211 | XRAC |
| | | ✓ | | ⚠ | | | |

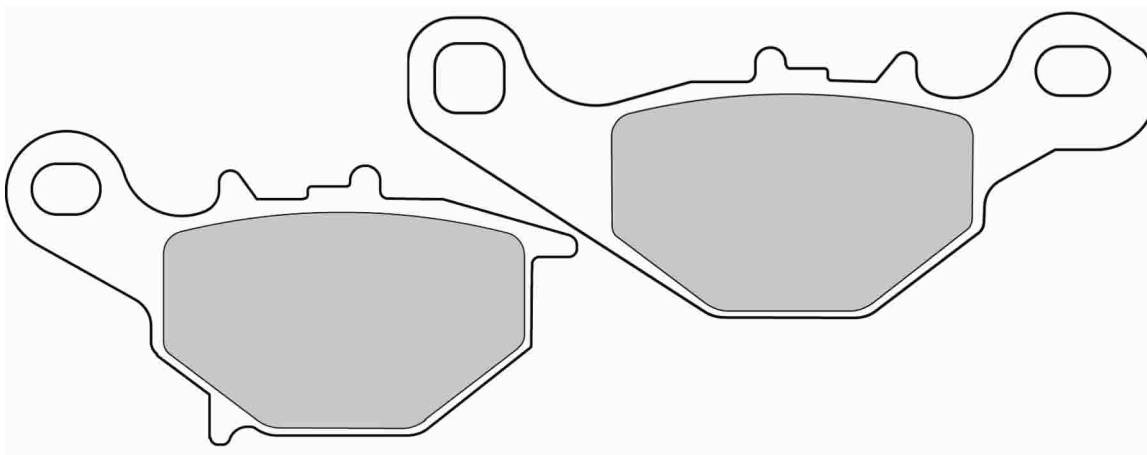
| CROSS REFERENCE | |
|-----------------|----------|
| BREMBO | 7055 |
| CL BRAKES | 3074 |
| EBC | FA411 |
| EBC | SFA411 |
| NEWFREN | .FD.0326 |
| SBS | 781 |

FDB2133

75.7 x 41.5 x 8.2 mm / 99.2 x 40.3 x 7.5 mm

KAWASAKI, SUZUKI

FRONT / REAR



| MATERIAL AVAILABILITY | | | | | | | |
|-----------------------|-----|----|----|----|-----|-------|------|
| P | PRP | AG | SG | ST | CP1 | CP211 | XRAC |
| | | ✓ | ✓ | | | | |

| EQUIVALENT OE # | |
|-----------------|-------------|
| OEM Suzuki | 59300 03880 |

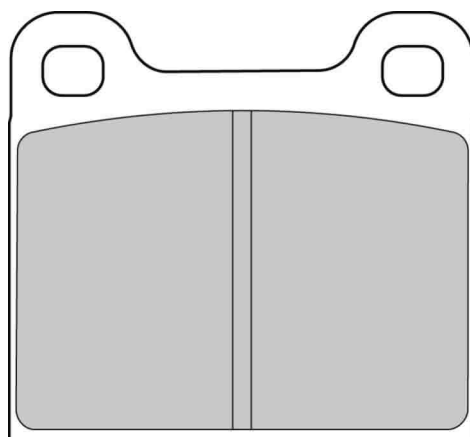
| CROSS REFERENCE | |
|-----------------|----------|
| BREMBO | 7036 |
| CL BRAKES | 2914 |
| EBC | FA230 |
| EBC | FA396 |
| GALFER | FD 177 |
| NEWFREN | .FD.0222 |
| SBS | 702 |
| VESRAH | VD 351 |

FDB2136

61.8 x 56.6 x 11.5 mm

LYN SNOWMOBILE

REAR



| MATERIAL AVAILABILITY | | | | | | | |
|-----------------------|-----|----|----|----|-----|-------|------|
| P | PRP | AG | SG | ST | CP1 | CP211 | XRAC |
| | | | ✓ | | | | |

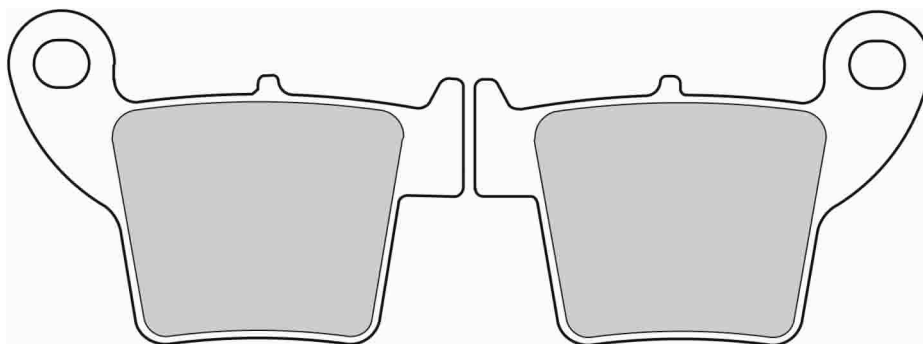
| CROSS REFERENCE | |
|-----------------|----------|
| NEWFREN | .FD.0274 |

FDB2139

60.2 x 44.2 x 11.0 mm

APRILIA, HONDA, SUZUKI

REAR



| MATERIAL AVAILABILITY | | | | | | | |
|-----------------------|-----|----|----|----|-----|-------|------|
| P | PRP | AG | SG | ST | CP1 | CP211 | XRAC |
| ✓ | | | ✓ | | | | |

| CROSS REFERENCE | |
|-----------------|----------|
| BREMBO | 07HP48SD |
| CL BRAKES | 1076 |
| EBC | FA346 |
| GALFER | FD 278 |
| LUCAS | MCB730SI |
| NEWFREN | .FD.0329 |
| SBS | 777 |
| VESRAH | VD 168 |

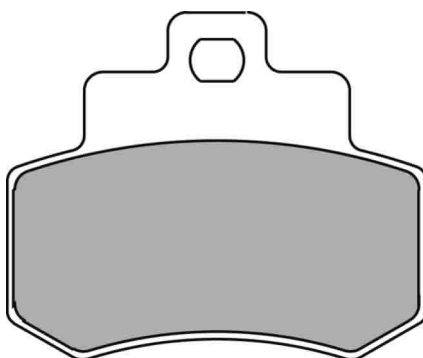
| EQUIVALENT OE # | |
|-----------------|---------------|
| OEM Honda | 06435 KRN 712 |
| OEM Honda | 06435 KZ4 J41 |

FDB2140

55.6 x 46.0 x 7.0 mm

KYMCO

REAR



| MATERIAL AVAILABILITY | | | | | | | |
|-----------------------|-----|----|----|----|-----|-------|------|
| P | PRP | AG | SG | ST | CP1 | CP211 | XRAC |
| | | ✓ | | | | | |

| EQUIVALENT OE # | |
|-----------------|-----------------|
| OEM Kymco | 43105 HMA0 00A |
| OEM Kymco | 43105 KKC49 000 |
| OEM Sym | 43108 HMA 000A |

| CROSS REFERENCE | |
|-----------------|----------|
| BREMBO | 7051 |
| EBC | FA356 |
| EBC | SFA356 |
| GALFER | FD 276 |
| NEWFREN | .FD.0328 |
| SBS | 776 |

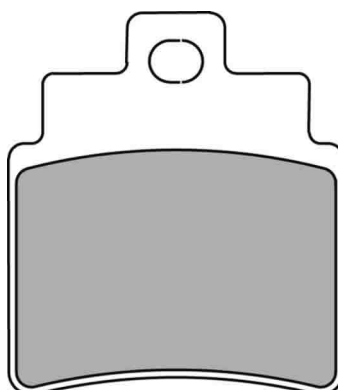
FDB2141

44.6 x 51.2 x 7.0 mm

ARCTIC CAT ATV, KYMCO, KYMCO ATV, SYM

FRONT / REAR

Set of 4 Pads



| MATERIAL AVAILABILITY | | | | | | | |
|-----------------------|-----|----|----|----|-----|-------|------|
| P | PRP | AG | SG | ST | CP1 | CP211 | XRAC |
| | | ✓ | ✓ | | | | |

| EQUIVALENT OE # | |
|-----------------|----------------|
| OEM Honda | 45105 KKC4 305 |
| OEM Honda | 45105 HMA 000A |

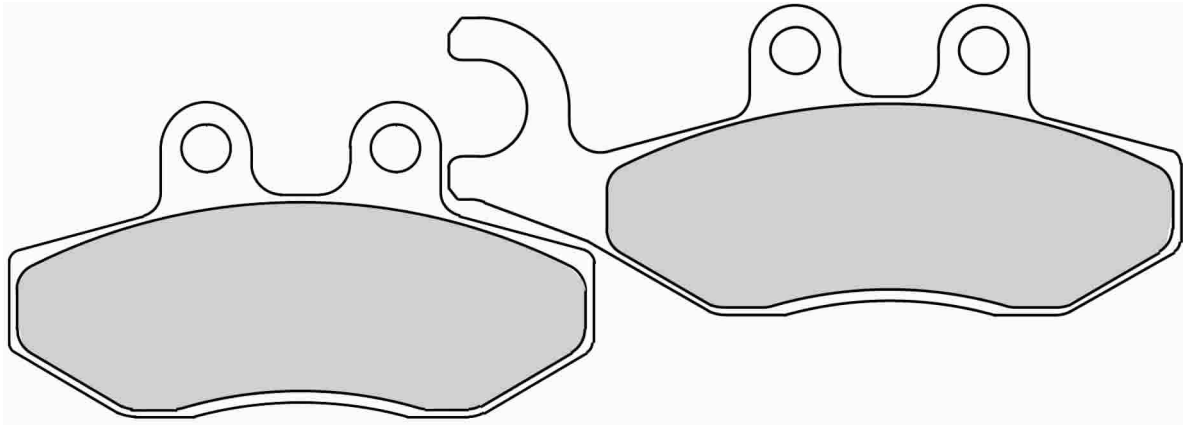
| CROSS REFERENCE | |
|-----------------|----------|
| BREMBO | 7050 |
| CL BRAKES | 1151 |
| EBC | FA355 |
| GALFER | FD 275 |
| NEWFREN | .FD.0327 |
| SBS | 775 |

FDB2142

97.1 x 41.2 x 9.0 mm / 77.2 x 41.2 x 9.0 mm

APRILIA, DERBI, GILERA, KEEWAY, PIAGGIO

FRONT / REAR



| MATERIAL AVAILABILITY | | | | | | | |
|-----------------------|-----|----|----|----|-----|-------|------|
| P | PRP | AG | SG | ST | CP1 | CP211 | XRAC |
| | | ✓ | | ✓ | | | |

| EQUIVALENT OE # | |
|-----------------|----------|
| OEM Gilera | 647078 |
| OEM Piaggio | 647078 |
| OEM Piaggio | 497072 |
| OEM Piaggio | CM068308 |

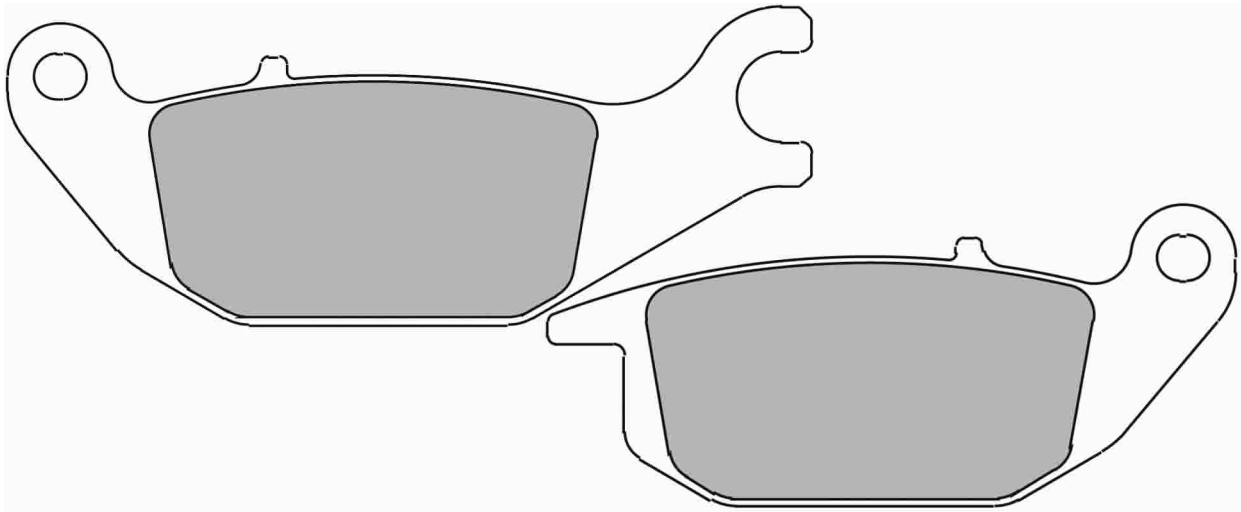
| CROSS REFERENCE | |
|-----------------|----------|
| BRAKING | 888 |
| BREMBO | 7056 |
| CL BRAKES | 3060 |
| EBC | FA353 |
| EBC | SFA353 |
| GALFER | FD 277 |
| NEWFREN | .FD.0330 |
| SBS | 786 |

FDB2143

107.2 x 40.2 x 10.0 mm / 91.7 x 40.2 x 10.0 mm

HONDA, YAMAHA

REAR



| MATERIAL AVAILABILITY | | | | | | | |
|-----------------------|-----|----|----|----|-----|-------|------|
| P | PRP | AG | SG | ST | CP1 | CP211 | XRAC |
| ✓ | | | | | | | |

| EQUIVALENT OE # | |
|-----------------|---------------|
| OEM Honda | 06435 KPC 641 |
| OEM Honda | 06435 KPC 642 |
| OEM Honda | 06435 KPP 901 |
| OEM Honda | 06435 KPP 902 |

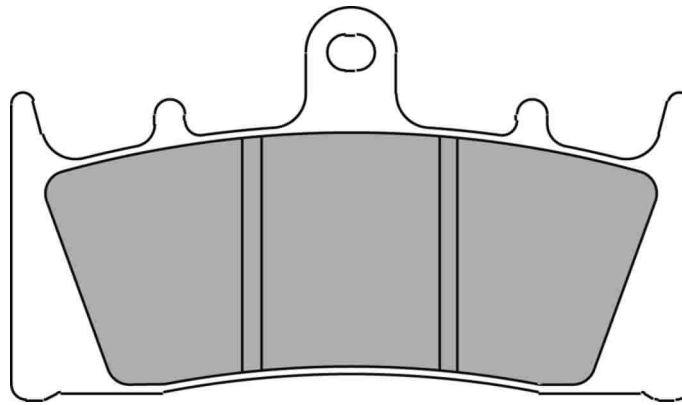
| CROSS REFERENCE | |
|-----------------|----------|
| BREMBO | 07HO4905 |
| CL BRAKES | 1067 |
| EBC | FA343 |
| LUCAS | MCB738LF |
| NEWFREN | .FD.0331 |
| SBS | 784 |

FDB2144

90.0 x 52.0 x 9.9 mm

KAWASAKI, SUZUKI

FRONT



| ALSO AVAILABLE | | |
|----------------|--------|-------|
| SHAPE | TH. MM | NOTES |
| FDB873 | 8.0 | |

| MATERIAL AVAILABILITY | | | | | | | |
|-----------------------|-----|----|----|----|-----|-------|------|
| P | PRP | AG | SG | ST | CP1 | CP211 | XRAC |
| ✓ | | | | ✓ | | | ✓ |

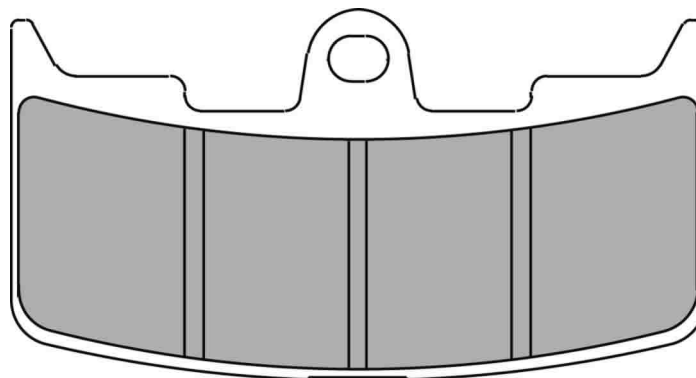
| CROSS REFERENCE | |
|-----------------|----------|
| BREMBO | 07SU1907 |
| CL BRAKES | 2255 |
| EBC | FA188 |
| GALFER | FD 156 |
| LUCAS | MCB659 |
| NEWFREN | .FD.0361 |
| SBS | 686 |
| VESRAH | VD 349 |

FDB2145

92.0 x 49.0 x 7.9 mm

BUELL

FRONT



| MATERIAL AVAILABILITY | | | | | | | |
|-----------------------|-----|----|----|----|-----|-------|------|
| P | PRP | AG | SG | ST | CP1 | CP211 | XRAC |
| | | | | ✓ | | | ✓ |

| EQUIVALENT OE # | |
|-----------------|------------|
| OEM Buell | H0300-02A8 |

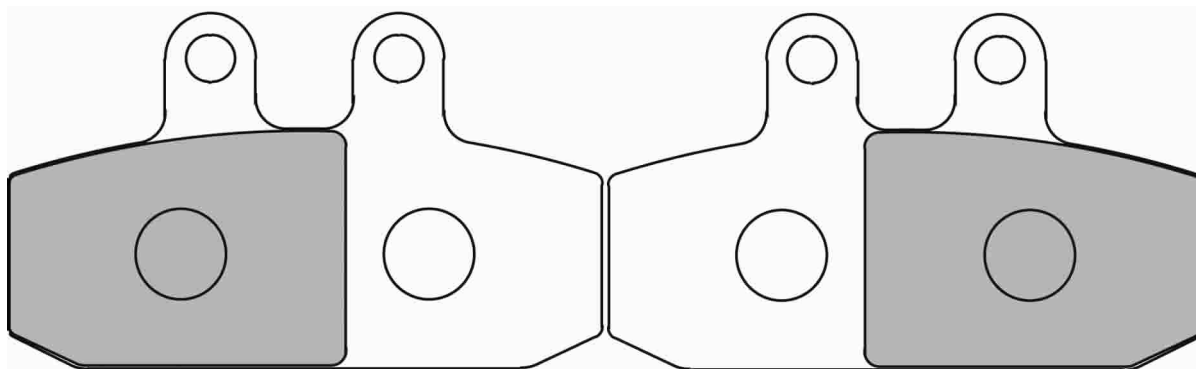
| CROSS REFERENCE | |
|-----------------|----------|
| BREMBO | 07GR68 |
| CL BRAKES | 1139 |
| EBC | FA345 |
| LUCAS | MCB747 |
| NEWFREN | .FD.0344 |
| SBS | 795 |
| VESRAH | VD 993 |

FDB2146

79.0 x 47.0 x 7.6 mm

APRILIA

FRONT



| MATERIAL AVAILABILITY | | | | | | | |
|-----------------------|-----|----|----|----|-----|-------|------|
| P | PRP | AG | SG | ST | CP1 | CP211 | XRAC |
| ✓ | | | | | | | |

| CROSS REFERENCE | |
|-----------------|----------|
| BREMBO | 7057 |
| EBC | FA256 |
| NEWFREN | .FD.0335 |
| SBS | 793 |
| VESRAH | VD 152 |

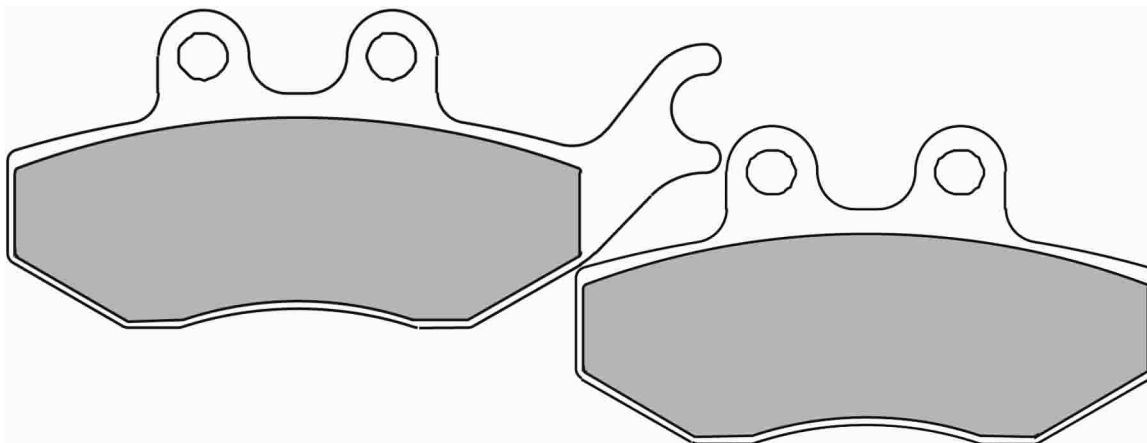
| EQUIVALENT OE # | |
|-----------------|---------|
| OEM Aprilia | 8133725 |

FDB2147

94.6 x 42.1 x 7.2 mm / 77.1 x 42.1 x 7.2 mm

ITALJET, RIEJU

FRONT / REAR



| MATERIAL AVAILABILITY | | | | | | | |
|-----------------------|-----|----|----|----|-----|-------|------|
| P | PRP | AG | SG | ST | CP1 | CP211 | XRAC |
| | | ✓ | | | | | |

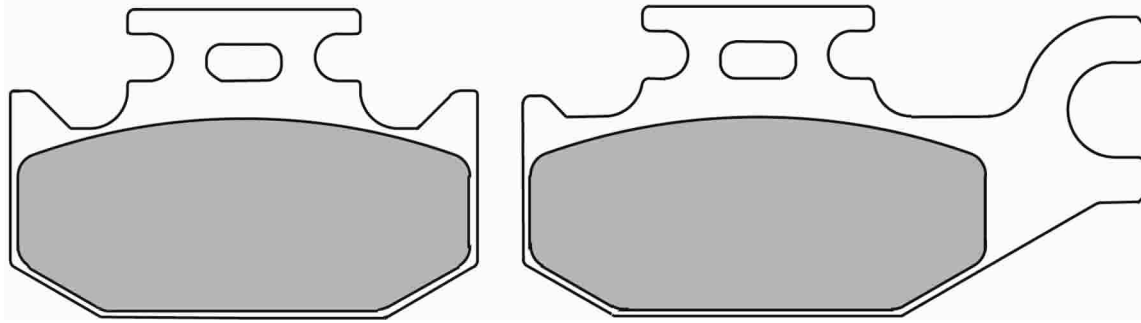
| CROSS REFERENCE | |
|-----------------|----------|
| BREMBO | 7054 |
| EBC | FA374 |
| NEWFREN | .FD.0334 |
| SBS | 780 |

FDB2148

82.2 x 40.9 x 9.4 mm / 62.1 x 40.9 x 9.4 mm

BENELLI, BOMBARDIER ATV, CAN AM ATV, CANNONDALE ATV, JOHN DEERE ATV, KAWASAKI ATV, SUZUKI, SUZUKI ATV, YAMAHA ATV

FRONT / REAR



| MATERIAL AVAILABILITY | | | | | | | |
|-----------------------|-----|----|----|----|-----|-------|------|
| P | PRP | AG | SG | ST | CP1 | CP211 | XRAC |
| | | ✓ | ✓ | | | | |

| EQUIVALENT OE # | |
|-----------------|-------------|
| OEM Kawasaki | 43082 0077 |
| OEM Suzuki | 59100 31860 |
| OEM Suzuki | 69100 03890 |
| OEM Suzuki | 69101 03810 |
| OEM Suzuki | 59100 09870 |

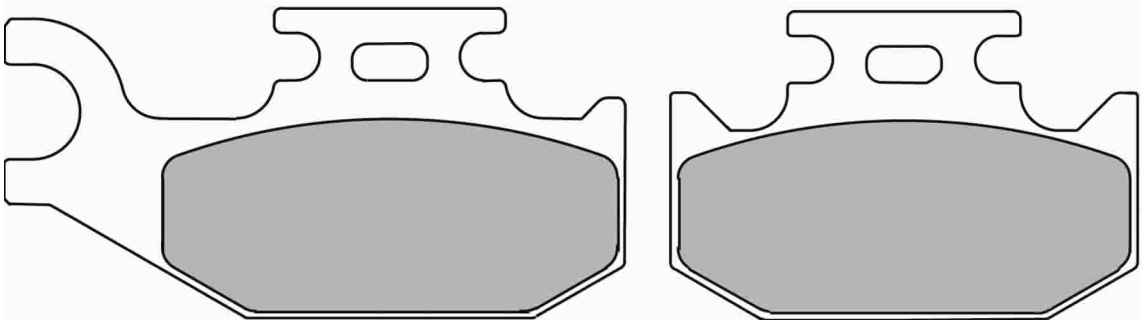
| CROSS REFERENCE | |
|-----------------|----------|
| BREMBO | 07GR49 |
| CL BRAKES | 2923 |
| EBC | FA307 |
| EBC | FA413 |
| GALFER | FD 315 |
| LUCAS | MCB724 |
| NEWFREN | .FD.0301 |
| SBS | 754 |
| VESRAH | VD 266 |

FDB2149

82.2 x 40.9 x 9.4 mm / 62.1 x 40.9 x 9.4 mm

BOMBARDIER ATV, CAN AM ATV, CANNONDALE ATV, JOHN DEERE ATV, KAWASAKI ATV, SUZUKI ATV, YAMAHA ATV

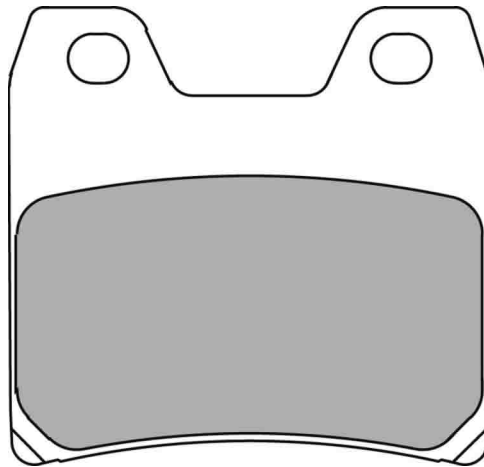
FRONT / REAR



| MATERIAL AVAILABILITY | | | | | | | |
|-----------------------|-----|----|----|----|-----|-------|------|
| P | PRP | AG | SG | ST | CP1 | CP211 | XRAC |
| | | | ✓ | | | | |

| EQUIVALENT OE # | |
|-----------------|-------------|
| OEM Kawasaki | 43082 0078 |
| OEM Suzuki | 59100 09860 |
| OEM Suzuki | 59100 31850 |

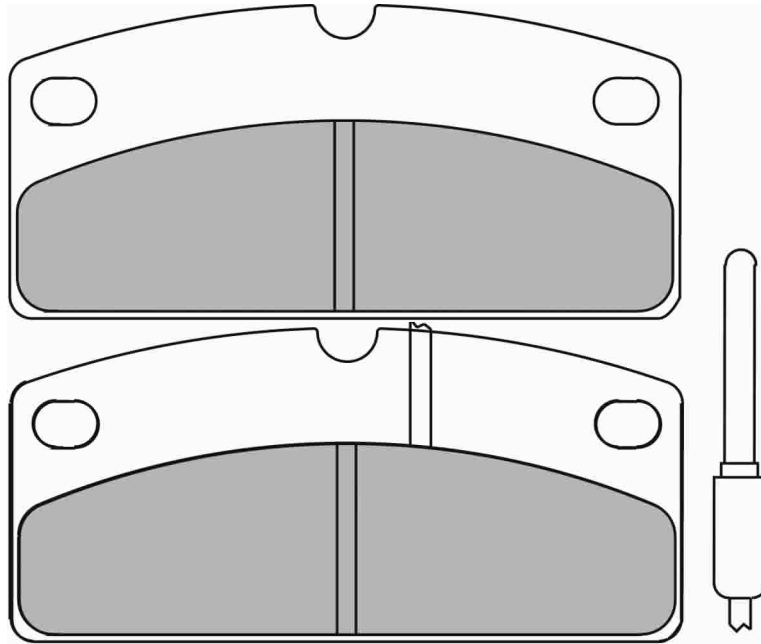
| CROSS REFERENCE | |
|-----------------|----------|
| BREMBO | 07GR50 |
| CL BRAKES | 1102 |
| EBC | FA317 |
| EBC | FA414 |
| LUCAS | MCB723 |
| NEWFREN | .FD.0318 |
| SBS | 767 |



| MATERIAL AVAILABILITY | | | | | | | |
|-----------------------|-----|----|----|----|-----|-------|------|
| P | PRP | AG | SG | ST | CP1 | CP211 | XRAC |
| | | | | ✔ | | | |

| EQUIVALENT OE # | |
|-----------------|--------------|
| OEM Yamaha | 5LV W0046 50 |

| CROSS REFERENCE | |
|-----------------|----------|
| BREMBO | 07YA4007 |
| CL BRAKES | 1066 |
| EBC | FA348 |
| GALFER | FD 329 |
| LUCAS | MCB725 |
| NEWFREN | .FD.0341 |
| SBS | 770 |
| VESRAH | VD 268 |



| MATERIAL AVAILABILITY | | | | | | | |
|-----------------------|-----|----|----|----|-----|-------|------|
| P | PRP | AG | SG | ST | CP1 | CP211 | XRAC |
| ✓ | | | | | | | |

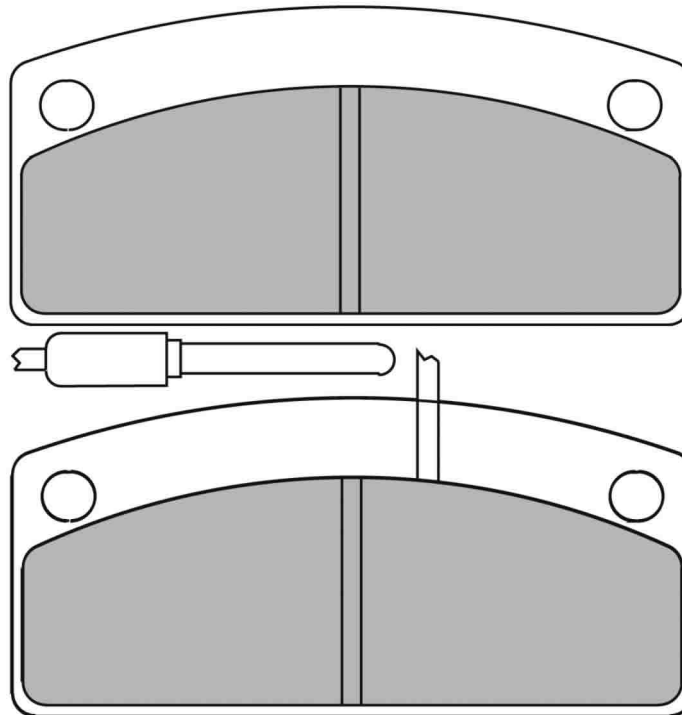
| CROSS REFERENCE | |
|-----------------|----------|
| NEWFREN | .FD.0343 |

FDB2154

89.9 x 42.2 x 9.6 mm

GREKAV
Set of 4 Pads

FRONT



| MATERIAL AVAILABILITY | | | | | | | |
|-----------------------|-----|----|----|----|-----|-------|------|
| P | PRP | AG | SG | ST | CP1 | CP211 | XRAC |
| ✓ | | | | | | | |

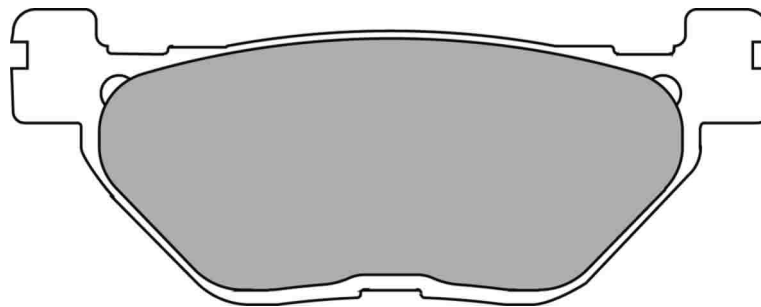
| CROSS REFERENCE | |
|-----------------|----------|
| GALFER | FD 221 |
| NEWFREN | .FD.0336 |

FDB2156

100.3 x 39.3 x 9.5 mm

HYOSUNG, YAMAHA

REAR



| MATERIAL AVAILABILITY | | | | | | | |
|-----------------------|-----|----|----|----|-----|-------|------|
| P | PRP | AG | SG | ST | CP1 | CP211 | XRAC |
| ✓ | | | | ⚠ | | | |

| CROSS REFERENCE | |
|-----------------|----------|
| BREMBO | 07YA3908 |
| CL BRAKES | 1084 |
| EBC | FA319/2 |
| GALFER | FD 295 |
| LUCAS | MCB731 |
| NEWFREN | .FD.0345 |
| SBS | 769 |
| VESRAH | VD 269/2 |

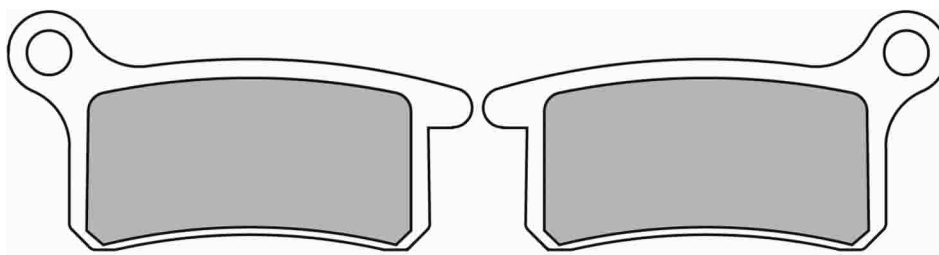
| EQUIVALENT OE # | |
|-----------------|--------------|
| OEM Yamaha | 5JW W0046 00 |
| OEM Yamaha | 1D7 W0046 00 |
| OEM Yamaha | 3P6 W0046 50 |
| OEM Yamaha | 2S3 W0046 00 |
| OEM Yamaha | 5PS W0046 00 |

FDB2157

61.9 x 31.7 x 6.6 mm

HUSQVARNA, KTM

FRONT / REAR



| MATERIAL AVAILABILITY | | | | | | | |
|-----------------------|-----|----|----|----|-----|-------|------|
| P | PRP | AG | SG | ST | CP1 | CP211 | XRAC |
| | | | ✓ | | | | |

| EQUIVALENT OE # | |
|-----------------|-------------|
| OEM KTM | 46113030000 |

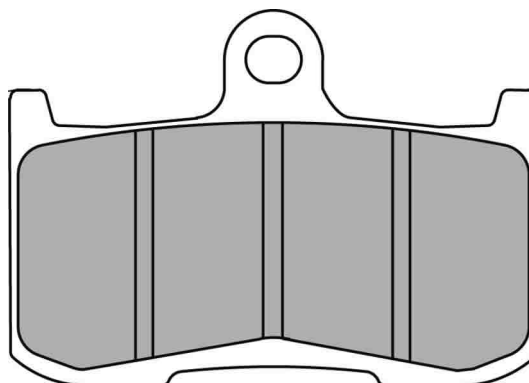
| CROSS REFERENCE | |
|-----------------|----------|
| BREMBO | 07GR69 |
| CL BRAKES | 1078 |
| EBC | FA357 |
| GALFER | FD 265 |
| LUCAS | MCB740 |
| NEWFREN | .FD.0354 |
| SBS | 783 |

FDB2158

69.8 x 49.6 x 7.1 mm

KAWASAKI, SUZUKI, TRIUMPH

FRONT



| MATERIAL AVAILABILITY | | | | | | | |
|-----------------------|-----|----|----|----|-----|-------|------|
| P | PRP | AG | SG | ST | CP1 | CP211 | XRAC |
| | | | | ✓ | | | |

| EQUIVALENT OE # | |
|-----------------|-------------|
| OEM Kawasaki | 43082 0002 |
| OEM Kawasaki | 43082 1290 |
| OEM Suzuki | 59100 23830 |
| OEM Suzuki | 59100 29840 |

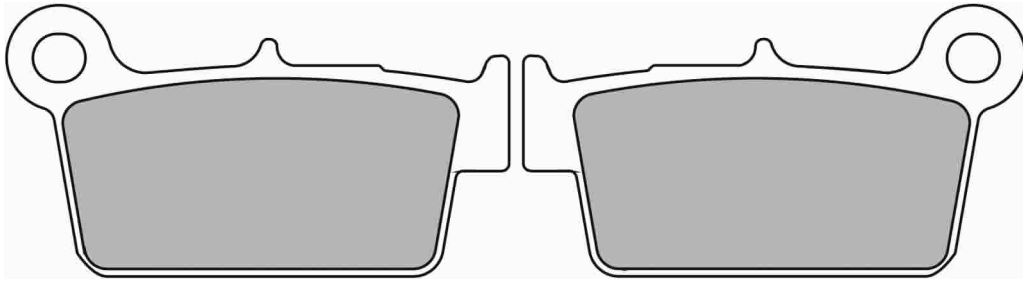
| CROSS REFERENCE | |
|-----------------|----------|
| BREMBO | 07KA2305 |
| CL BRAKES | 1083 |
| EBC | FA347 |
| GALFER | FD 331 |
| LUCAS | MCB737 |
| NEWFREN | .FD.0351 |
| SBS | 782 |
| VESRAH | VD 443 |

FDB2162

66.9 x 36.0 x 9.4 mm

APRILIA, BETA, HONDA, KAWASAKI, SHERCO, SUZUKI, TM, YAMAHA

REAR



| MATERIAL AVAILABILITY | | | | | | | |
|-----------------------|-----|----|----|----|-----|-------|------|
| P | PRP | AG | SG | ST | CP1 | CP211 | XRAC |
| ✓ | | | ✓ | | | | |

| CROSS REFERENCE | |
|-----------------|----------|
| BREMBO | 07YA41 |
| CL BRAKES | 1103 |
| EBC | FA367 |
| GALFER | FD 286 |
| LUCAS | MCB739 |
| NEWFREN | .FD.0349 |
| SBS | 790 |
| VESRAH | VD 271 |

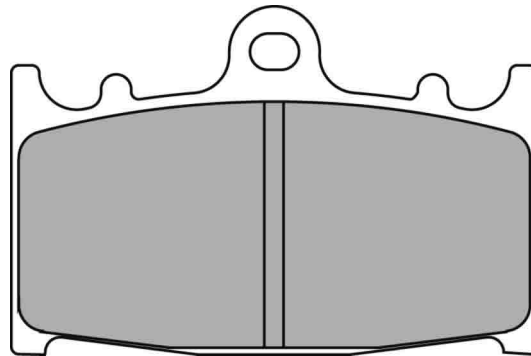
| EQUIVALENT OE # | |
|-----------------|--------------|
| OEM Aprilia | 9100797 |
| OEM Kawasaki | 43082 0090 |
| OEM Kawasaki | 43082 0006 |
| OEM Kawasaki | 43082 0048 |
| OEM Suzuki | 69100 36850 |
| OEM Suzuki | 69100 35810 |
| OEM Suzuki | 69101 44840 |
| OEM Yamaha | 5UN W0046 50 |
| OEM Yamaha | 5UN W0046 60 |
| OEM Yamaha | 1C3 W0046 50 |
| OEM Yamaha | 5UN W0046 00 |
| OEM Yamaha | 1C3 W0046 10 |
| OEM Yamaha | 1C3 W0046 B0 |
| OEM Yamaha | 1C3 W0046 80 |
| OEM Yamaha | 5UN W0046 51 |

FDB2163

69.9 x 46.1 x 13.1 mm

SUZUKI

REAR



| MATERIAL AVAILABILITY | | | | | | | |
|-----------------------|-----|----|----|----|-----|-------|------|
| P | PRP | AG | SG | ST | CP1 | CP211 | XRAC |
| | | | | ✓ | | | |

| CROSS REFERENCE | |
|-----------------|----------|
| BREMBO | 07SU30 |
| CL BRAKES | 1145 |
| EBC | FA366 |
| LUCAS | MCB740 |
| NEWFREN | .FD.0371 |
| SBS | 789 |

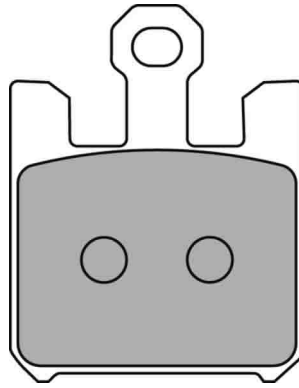
| EQUIVALENT OE # | |
|-----------------|-------------|
| OEM Suzuki | 69100 10820 |

FDB2164

39.0 x 49.9 x 7.9 mm

KAWASAKI, SUZUKI
Set of 4 Pads

FRONT



| ALSO AVAILABLE | | |
|----------------|--------|---------------------|
| SHAPE | TH. MM | NOTES |
| FDB2203 | 9.3 | Racing Applications |

| MATERIAL AVAILABILITY | | | | | | | |
|-----------------------|-----|----|----|----|-----|-------|------|
| P | PRP | AG | SG | ST | CP1 | CP211 | XRAC |
| | | | | ✓ | | | ✓ |

| EQUIVALENT OE # | |
|-----------------|-------------|
| OEM Kawasaki | 43082 0021 |
| OEM Kawasaki | 43082 0031 |
| OEM Kawasaki | 43082 0058 |
| OEM Kawasaki | 43082 1293 |
| OEM Suzuki | 59100 18850 |

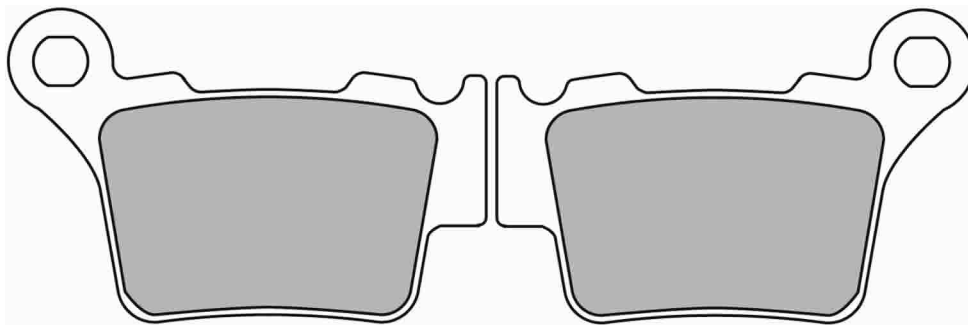
| CROSS REFERENCE | |
|-----------------|----------|
| BREMBO | 07SU26 |
| CL BRAKES | 1110 |
| EBC | FA369/4 |
| GALFER | FD 290 |
| LUCAS | MCB742 |
| NEWFREN | .FD.0352 |
| SBS | 788 |
| VESRAH | VD 354 |

FDB2165

64.3 x 41.8 x 9.0 mm

BMW, HUSQVARNA, KTM, RIEJU

REAR



| MATERIAL AVAILABILITY | | | | | | | |
|-----------------------|-----|----|----|----|-----|-------|------|
| P | PRP | AG | SG | ST | CP1 | CP211 | XRAC |
| ✓ | | | ✓ | | | | |

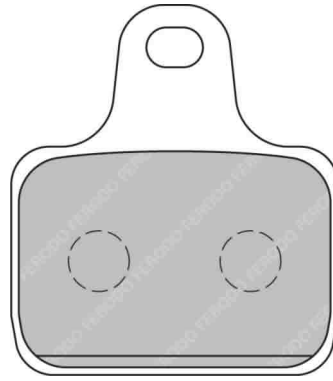
| EQUIVALENT OE # | |
|-----------------|-----------------|
| OEM BMW | 34 21 7 717 324 |
| OEM KTM | 54813090000 |
| OEM KTM | 54813090100 |
| OEM KTM | 54813090300 |
| OEM KTM | 54813090200 |

| CROSS REFERENCE | |
|-----------------|----------|
| BREMBO | 07BB2750 |
| CL BRAKES | 1108 |
| EBC | FA368 |
| GALFER | FD 291 |
| LUCAS | MCB743 |
| NEWFREN | .FD.0348 |
| SBS | 791 |

FDB2166

43.3 x 48.9 x 9.9 mm

Set of 4 Pads



| MATERIAL AVAILABILITY | | | | | | | |
|-----------------------|-----|----|----|----|-----|-------|------|
| P | PRP | AG | SG | ST | CP1 | CP211 | XRAC |
| | | | | | ✓ | | ✓ |

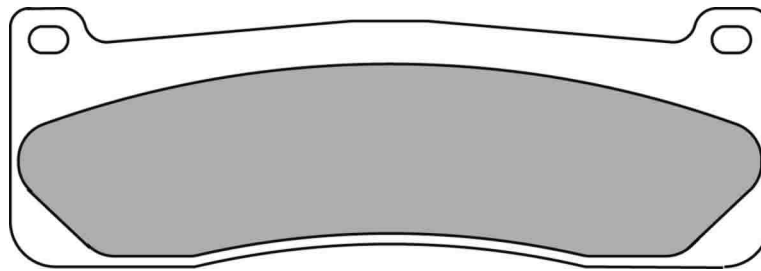
| CROSS REFERENCE | |
|-----------------|----------|
| CL BRAKES | 1075 |
| EBC | FA435/4 |
| NEWFREN | .FD.0370 |
| SBS | 805 |

FDB2167

100.7 x 34.3 x 9.0 mm

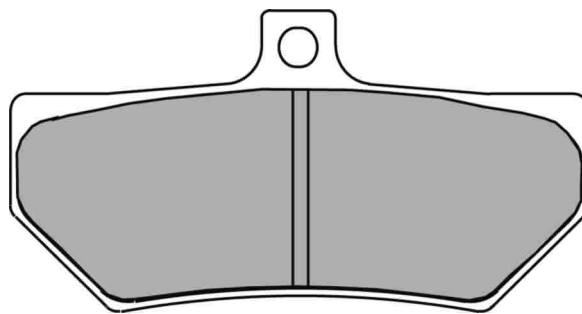
HONDA

FRONT



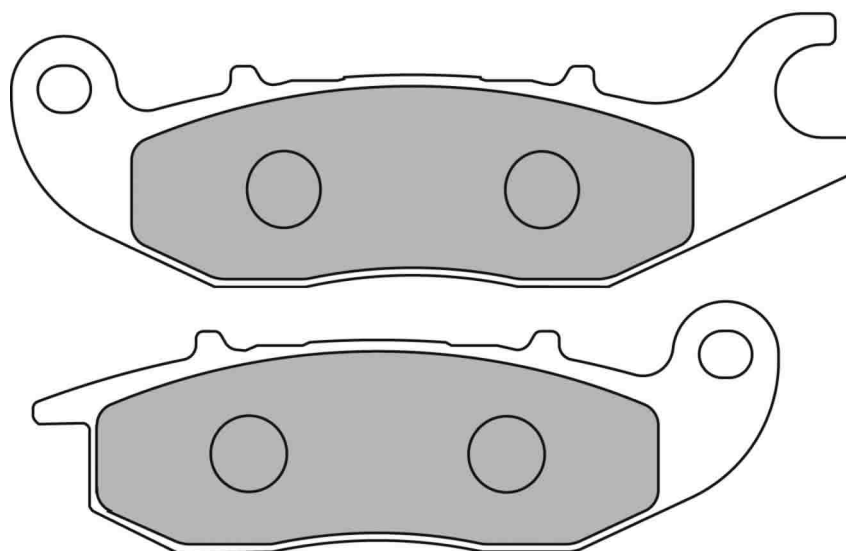
| MATERIAL AVAILABILITY | | | | | | | |
|-----------------------|-----|----|----|----|-----|-------|------|
| P | PRP | AG | SG | ST | CP1 | CP211 | XRAC |
| | | | | | ✓ | | ✓ |

| CROSS REFERENCE | |
|-----------------|----------|
| CL BRAKES | 2720 |
| EBC | GFA263 |
| NEWFREN | .FD.0369 |
| SBS | 707 |



| MATERIAL AVAILABILITY | | | | | | | |
|-----------------------|-----|----|----|----|-----|-------|------|
| P | PRP | AG | SG | ST | CP1 | CP211 | XRAC |
| | | | | | | | ✓ |

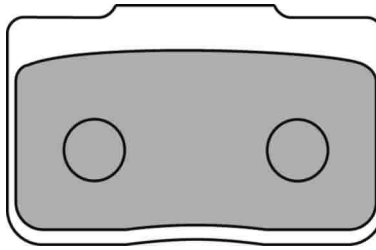
| CROSS REFERENCE | |
|-----------------|----------|
| NEWFREN | .FD.0368 |



| MATERIAL AVAILABILITY | | | | | | | |
|-----------------------|-----|----|----|----|-----|-------|------|
| P | PRP | AG | SG | ST | CP1 | CP211 | XRAC |
| ✓ | | ✓ | | | | | |

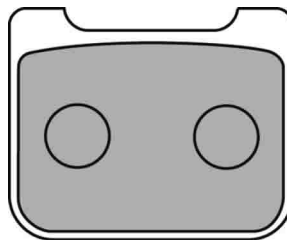
| EQUIVALENT OE # | |
|-----------------|---------------|
| OEM Honda | 06455 KPP 901 |
| OEM Honda | 06455 KPP 902 |

| CROSS REFERENCE | |
|-----------------|----------|
| BREMBO | 07HO5606 |
| CL BRAKES | 1148 |
| EBC | FA375 |
| GALFER | FD 259 |
| GALFER | FD 298 |
| LUCAS | MCB759 |
| NEWFREN | .FD.0355 |
| SBS | 797 |

FDB2170**49.8 x 31.8 x 8.1 mm**

| MATERIAL AVAILABILITY | | | | | | | |
|-----------------------|-----|----|----|----|-----|-------|------|
| P | PRP | AG | SG | ST | CP1 | CP211 | XRAC |
| ✓ | | | | | | | |

| CROSS REFERENCE | |
|-----------------|------------|
| BREMBO | 07.9340.20 |
| NEWFREN | .FD.0366 |

FDB2171**37.8 x 29.2 x 7.7 mm**

| MATERIAL AVAILABILITY | | | | | | | |
|-----------------------|-----|----|----|----|-----|-------|------|
| P | PRP | AG | SG | ST | CP1 | CP211 | XRAC |
| ✓ | | | | | | | |

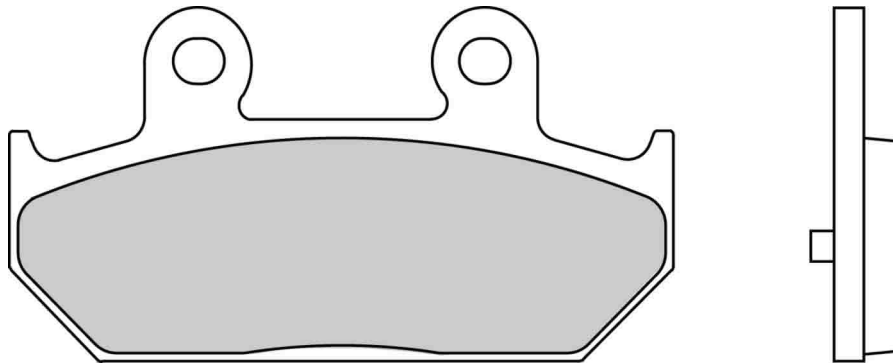
| CROSS REFERENCE | |
|-----------------|------------|
| BREMBO | 07.9340.90 |
| GALFER | FD 181 |
| NEWFREN | .FD.0367 |
| SBS | 732 |

FDB2173

88.0 x 46.0 x 8.5 mm

SUZUKI

REAR



| MATERIAL AVAILABILITY | | | | | | | |
|-----------------------|-----|----|----|----|-----|-------|------|
| P | PRP | AG | SG | ST | CP1 | CP211 | XRAC |
| | | | | ✓ | | | |

| EQUIVALENT OE # | |
|-----------------|-------------|
| OEM Suzuki | 69100 10840 |

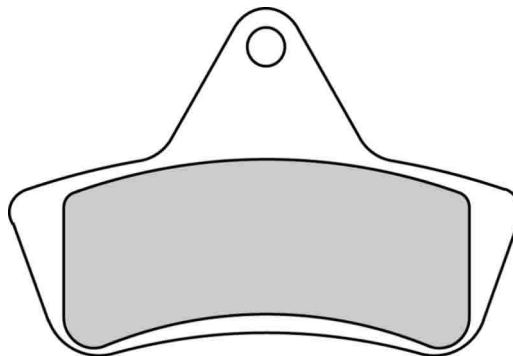
| CROSS REFERENCE | |
|-----------------|----------|
| BREMBO | 7058 |
| CL BRAKES | 3066 |
| EBC | FA412 |
| NEWFREN | .FD.0356 |
| SBS | 804 |

FDB2175

67.8 x 45.1 x 7.6 mm

ARCTIC CAT ATV, LAVERDA ATV

FRONT / REAR



| MATERIAL AVAILABILITY | | | | | | | |
|-----------------------|-----|----|----|----|-----|-------|------|
| P | PRP | AG | SG | ST | CP1 | CP211 | XRAC |
| | | | ✓ | | | | |

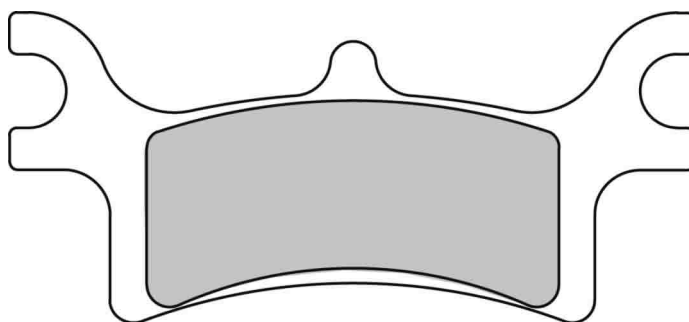
| CROSS REFERENCE | |
|-----------------|----------|
| BREMBO | 07GR54 |
| CL BRAKES | 2926 |
| EBC | FA271 |
| GALFER | FD 302 |
| LUCAS | MCB763 |
| NEWFREN | .FD.0309 |
| SBS | 758 |
| VESRAH | VD 965 |

FDB2176

91.0 x 41.9 x 8.3 mm

POLARIS ATV

REAR



| MATERIAL AVAILABILITY | | | | | | | |
|-----------------------|-----|----|----|----|-----|-------|------|
| P | PRP | AG | SG | ST | CP1 | CP211 | XRAC |
| | | | ✓ | | | | |

| EQUIVALENT OE # | |
|-----------------|---------|
| OEM Polaris | 2201871 |

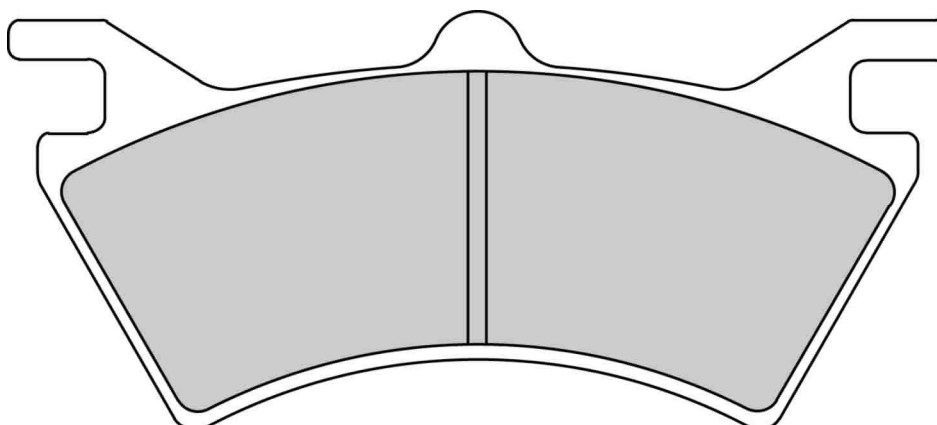
| CROSS REFERENCE | |
|-----------------|----------|
| BREMBO | 07PO06 |
| CL BRAKES | 1165 |
| EBC | FA314 |
| NEWFREN | .FD.0346 |
| SBS | 787 |
| VESRAH | VD 992 |

FDB2177

124.4 x 55.5 x 10.0 mm

POLARIS ATV

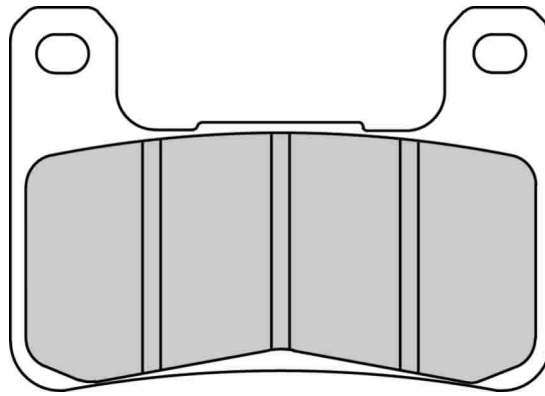
REAR



| MATERIAL AVAILABILITY | | | | | | | |
|-----------------------|-----|----|----|----|-----|-------|------|
| P | PRP | AG | SG | ST | CP1 | CP211 | XRAC |
| | | | ✉ | | | | |

| EQUIVALENT OE # | |
|-----------------|---------|
| OEM Polaris | 2201685 |

| CROSS REFERENCE | |
|-----------------|----------|
| BREMBO | 07PO05 |
| EBC | FA313 |
| NEWFREN | .FD.0317 |
| SBS | 757 |
| VESRAH | VD 973 |

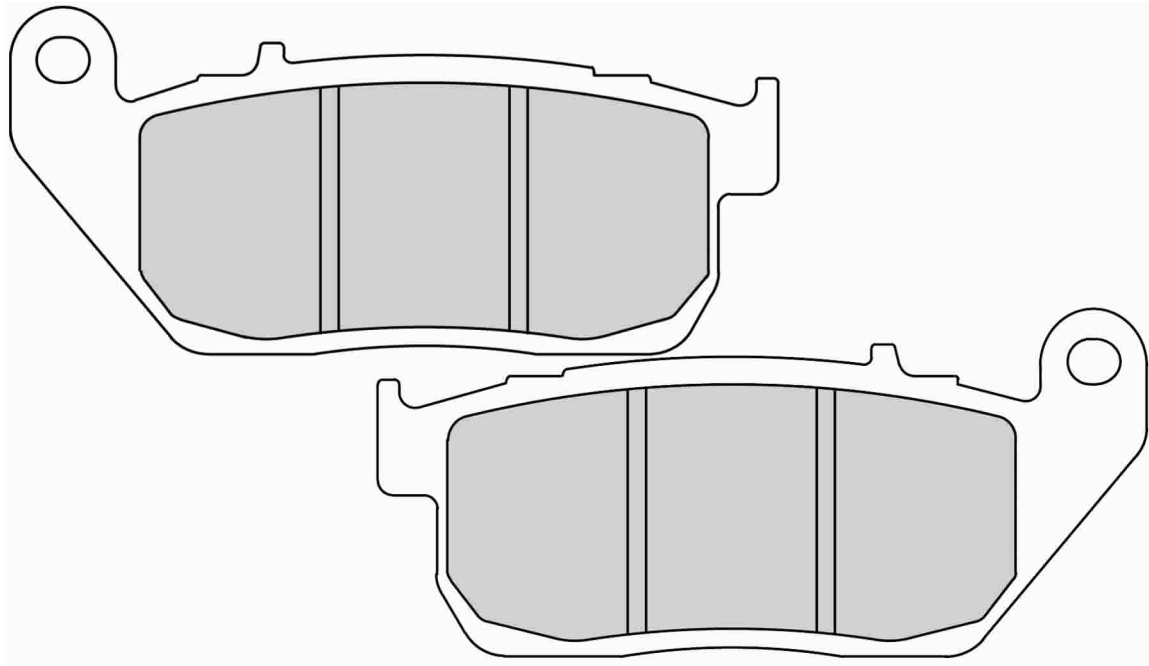


| ALSO AVAILABLE | | |
|----------------|--------|---------------------|
| SHAPE | TH. MM | NOTES |
| FDB2204 | 9.3 | Racing Applications |

| MATERIAL AVAILABILITY | | | | | | | |
|-----------------------|-----|----|----|----|-----|-------|------|
| P | PRP | AG | SG | ST | CP1 | CP211 | XRAC |
| | | | | ✓ | | | ✓ |

| EQUIVALENT OE # | |
|-----------------|-------------|
| OEM Kawasaki | 43082 0091 |
| OEM Suzuki | 59100 47890 |
| OEM Suzuki | 59100 29820 |
| OEM Suzuki | 59100 29850 |

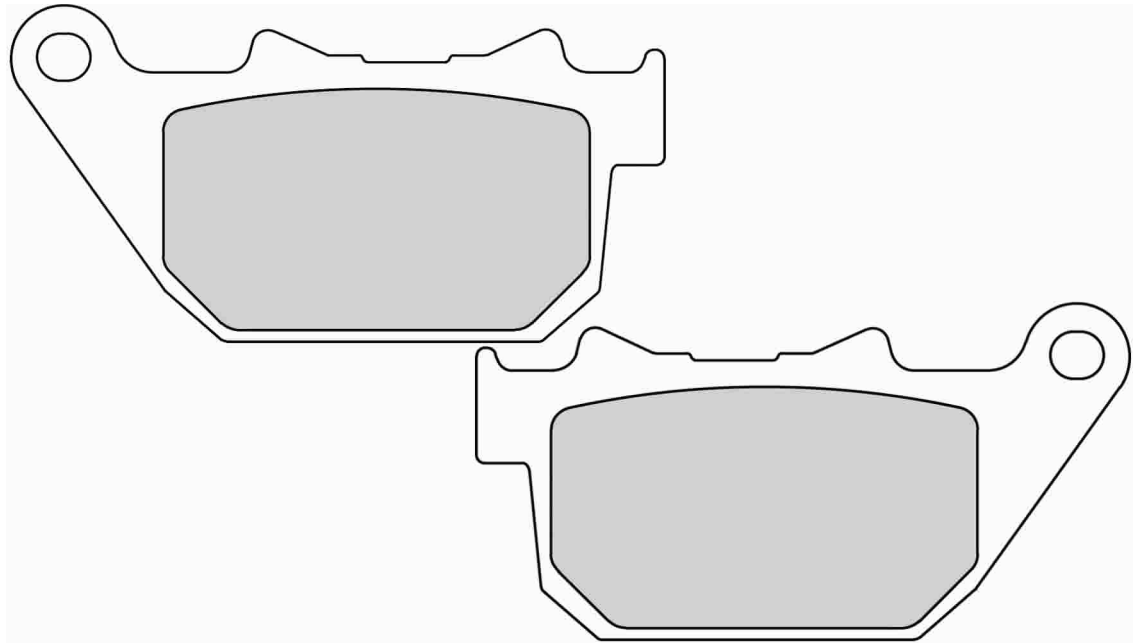
| CROSS REFERENCE | |
|-----------------|----------|
| BREMBO | 07SU27 |
| CL BRAKES | 1133 |
| EBC | FA379 |
| GALFER | FD 325 |
| LUCAS | MCB752 |
| NEWFREN | .FD.0362 |
| SBS | 806 |
| VESRAH | VD 355 |



| MATERIAL AVAILABILITY | | | | | | | |
|-----------------------|-----|----|----|----|-----|-------|------|
| P | PRP | AG | SG | ST | CP1 | CP211 | XRAC |
| ✓ | | | | ✓ | | | |

| EQUIVALENT OE # | |
|-----------------|-----------|
| OEM Harley | 42831 04A |
| OEM Harley | 42831 04 |

| CROSS REFERENCE | |
|-----------------|-----------|
| BREMBO | 07HD13 |
| CL BRAKES | 1149 |
| EBC | FA381 |
| NEWFREN | .FD.0387 |
| SBS | 807 |
| VESRAH | VD 9009JL |



| MATERIAL AVAILABILITY | | | | | | | |
|-----------------------|-----|----|----|----|-----|-------|------|
| P | PRP | AG | SG | ST | CP1 | CP211 | XRAC |
| ✓ | | | | ✓ | | | |

| EQUIVALENT OE # | |
|-----------------|----------|
| OEM Harley | 42029 07 |
| OEM Harley | 42836 04 |

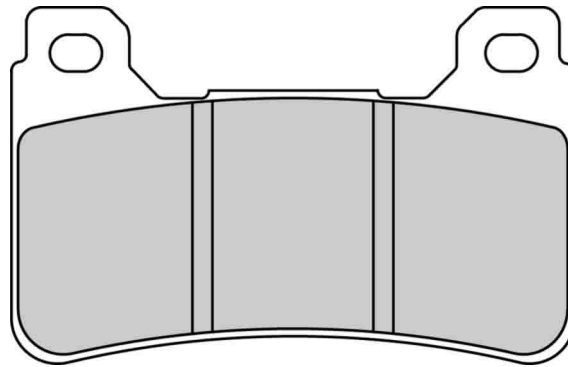
| CROSS REFERENCE | |
|-----------------|-----------|
| BREMBO | 07HD14 |
| CL BRAKES | 1150 |
| EBC | FA387 |
| NEWFREN | .FD.0386 |
| SBS | 808 |
| VESRAH | VD 9010JL |

FDB2181

74.6 x 47.4 x 8.0 mm

HONDA

FRONT



| ALSO AVAILABLE | | |
|----------------|--------|---------------------|
| SHAPE | TH. MM | NOTES |
| FDB2205 | 9.0 | Racing Applications |

| MATERIAL AVAILABILITY | | | | | | | |
|-----------------------|-----|----|----|----|-----|-------|------|
| P | PRP | AG | SG | ST | CP1 | CP211 | XRAC |
| | | | | ✓ | | | ✓ |

| EQUIVALENT OE # | |
|-----------------|---------------|
| OEM Honda | 06455 MEL D22 |

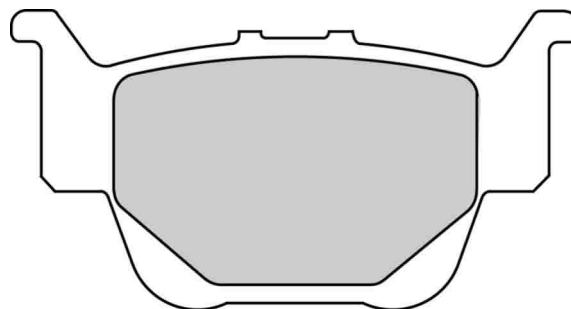
| CROSS REFERENCE | |
|-----------------|----------|
| BREMBO | 07HO50 |
| CL BRAKES | 1134 |
| EBC | FA390 |
| GALFER | FD 326 |
| LUCAS | MCB755 |
| NEWFREN | .FD.0364 |
| SBS | 809 |
| VESRAH | VD 170 |

FDB2182

75.4 x 39.7 x 9.7 mm

HONDA ATV

REAR



| MATERIAL AVAILABILITY | | | | | | | |
|-----------------------|-----|----|----|----|-----|-------|------|
| P | PRP | AG | SG | ST | CP1 | CP211 | XRAC |
| | | | ✓ | | | | |

| EQUIVALENT OE # | |
|-----------------|---------------|
| OEM Honda | 06435 HN8 006 |
| OEM Honda | 06435 HN8 016 |

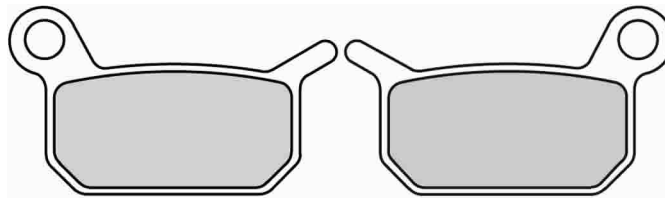
| CROSS REFERENCE | |
|-----------------|----------|
| BREMBO | 07HO55 |
| CL BRAKES | 1140 |
| EBC | FA373 |
| LUCAS | MCB769 |
| NEWFREN | .FD.0376 |
| SBS | 813 |
| VESRAH | VD 171 |

FDB2183

43.6 x 25.3 x 5.0 mm

HUSQVARNA, KTM, LEM

FRONT / REAR



| MATERIAL AVAILABILITY | | | | | | | |
|-----------------------|-----|----|----|----|-----|-------|------|
| P | PRP | AG | SG | ST | CP1 | CP211 | XRAC |
| | | | ✓ | | | | |

| EQUIVALENT OE # | |
|-----------------|-------------|
| OEM KTM | 45113030000 |

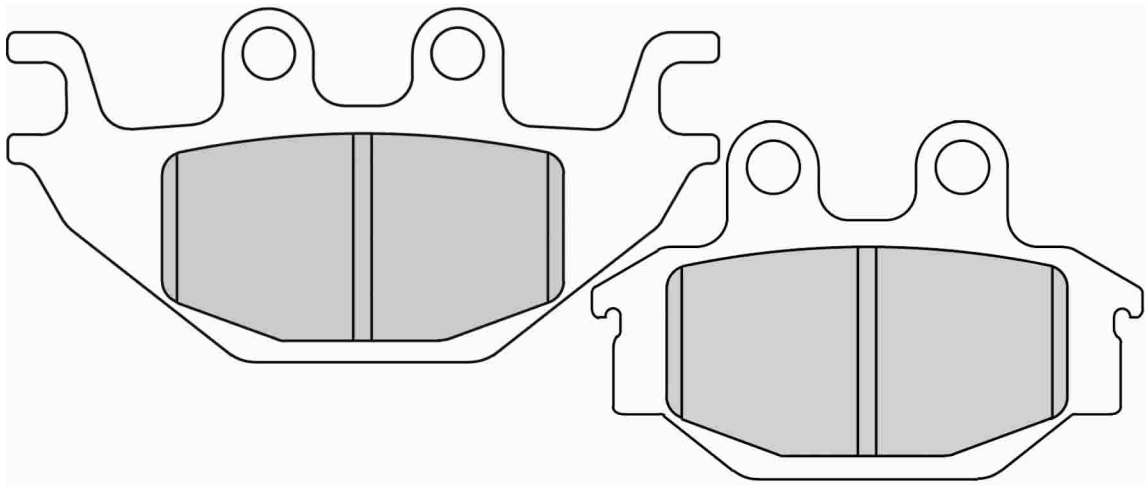
| CROSS REFERENCE | |
|-----------------|----------|
| BREMBO | 07GR70 |
| CL BRAKES | 1128 |
| EBC | FA325 |
| LUCAS | MCB750 |
| NEWFREN | .FD.0372 |
| SBS | 794 |
| VESRAH | VD 991 |

FDB2184

73.3 x 47.3 x 10.9 mm / 94.4 x 47.5 x 8.6 mm

ARCTIC CAT ATV, BOMBARDIER ATV, CAN AM ATV, CPI ATV, KYMCO ATV, PGO ATV, QUADZILLA, SYM, SYM ATV, TGB ATV, YAMAHA

FRONT / REAR



| MATERIAL AVAILABILITY | | | | | | | |
|-----------------------|-----|----|----|----|-----|-------|------|
| P | PRP | AG | SG | ST | CP1 | CP211 | XRAC |
| ✓ | | | ✓ | | | | |

| EQUIVALENT OE # | |
|-----------------|--------------|
| OEM Yamaha | 5D7 F582W 00 |

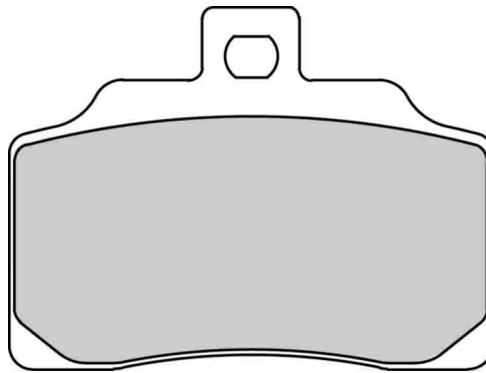
| CROSS REFERENCE | |
|-----------------|----------|
| BREMBO | 07GR5209 |
| CL BRAKES | 1147 |
| EBC | FA377 |
| LUCAS | MCB760 |
| NEWFREN | .FD.0383 |
| SBS | 810 |

FDB2185

64.1 x 48.3 x 8.1 mm

BETA

FRONT



| MATERIAL AVAILABILITY | | | | | | | |
|-----------------------|-----|----|----|----|-----|-------|------|
| P | PRP | AG | SG | ST | CP1 | CP211 | XRAC |
| ✓ | | | | | | | |

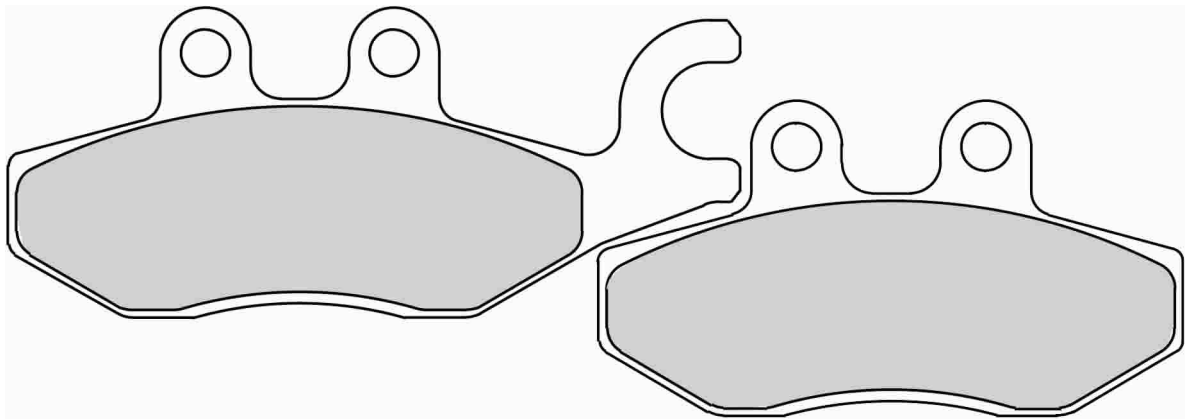
| CROSS REFERENCE | |
|-----------------|----------|
| EBC | FA426 |
| NEWFREN | .FD.0379 |

FDB2186

97.1 x 41.2 x 9.0 mm / 77.2 x 41.2 x 9.0 mm

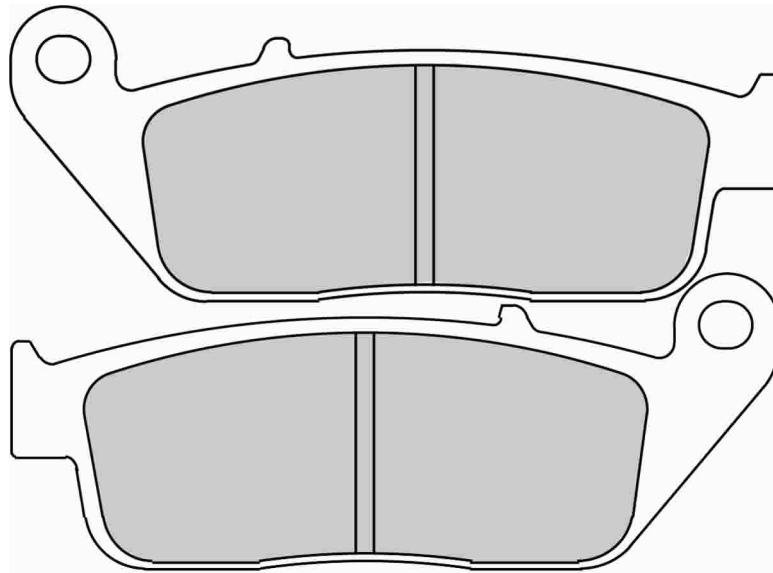
GILERA, PIAGGIO

FRONT / REAR



| MATERIAL AVAILABILITY | | | | | | | |
|-----------------------|-----|----|----|----|-----|-------|------|
| P | PRP | AG | SG | ST | CP1 | CP211 | XRAC |
| | | ✓ | | | | | |

| CROSS REFERENCE | |
|-----------------|----------|
| BREMBO | 7060 |
| EBC | FA418 |
| EBC | SFA418 |
| NEWFREN | .FD.0365 |
| SBS | 818 |



| MATERIAL AVAILABILITY | | | | | | | |
|-----------------------|-----|----|----|----|-----|-------|------|
| P | PRP | AG | SG | ST | CP1 | CP211 | XRAC |
| | | ✔ | | | | | |

| EQUIVALENT OE # | |
|-----------------|----------------|
| OEM Kymco | 43105 LBA2 305 |

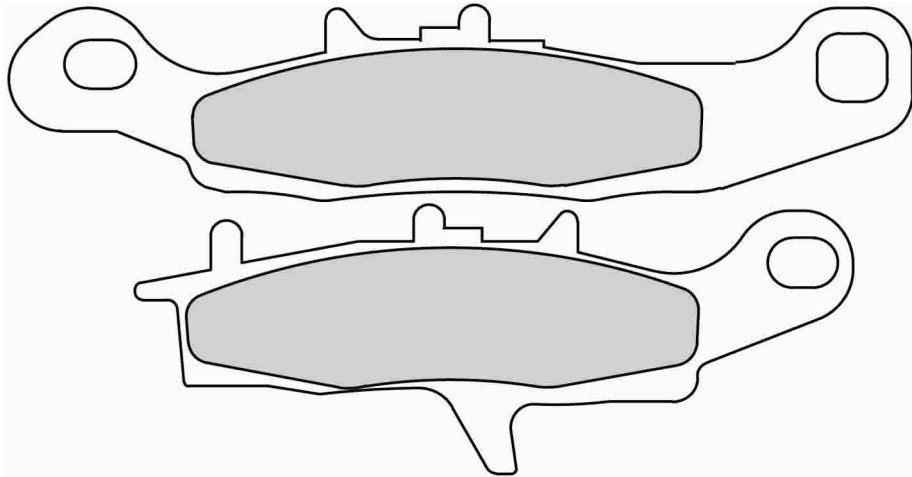
| CROSS REFERENCE | |
|-----------------|----------|
| BREMBO | 07HO3405 |
| CL BRAKES | 2256 |
| EBC | FA142 |
| GALFER | FD 140 |
| LUCAS | MCB631 |
| NEWFREN | .FD.0373 |
| SBS | 627 |
| VESRAH | VD 156 |

FDB2188

94.5 x 35.8 x 7.3 mm / 119.7 x 26.6 x 6.8 mm

KAWASAKI ATV

FRONT



| MATERIAL AVAILABILITY | | | | | | | |
|-----------------------|-----|----|----|----|-----|-------|------|
| P | PRP | AG | SG | ST | CP1 | CP211 | XRAC |
| | | | ✓ | | | | |

| EQUIVALENT OE # | |
|-----------------|------------|
| OEM Kawasaki | 43082 1255 |

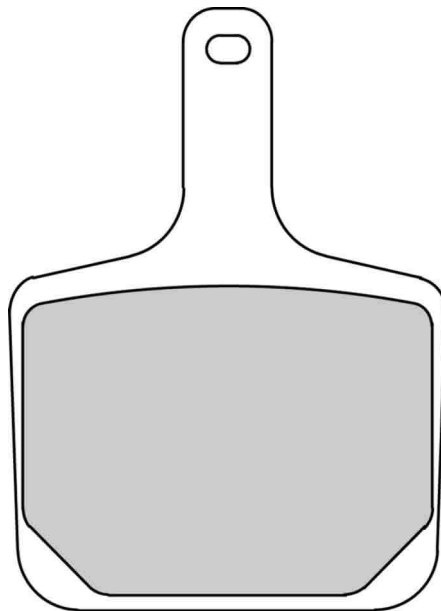
| CROSS REFERENCE | |
|-----------------|----------|
| BREMBO | 07KA25 |
| CL BRAKES | 1142 |
| EBC | FA342 |
| GALFER | FD 319 |
| LUCAS | MCB757 |
| NEWFREN | .FD.0374 |
| SBS | 801 |
| VESRAH | VD 441 |

FDB2189

57.9 x 78.3 x 11.6 mm

POLARIS SNOWMOBILE

REAR



| MATERIAL AVAILABILITY | | | | | | | |
|-----------------------|-----|----|----|----|-----|-------|------|
| P | PRP | AG | SG | ST | CP1 | CP211 | XRAC |
| | | | ✓ | | | | |

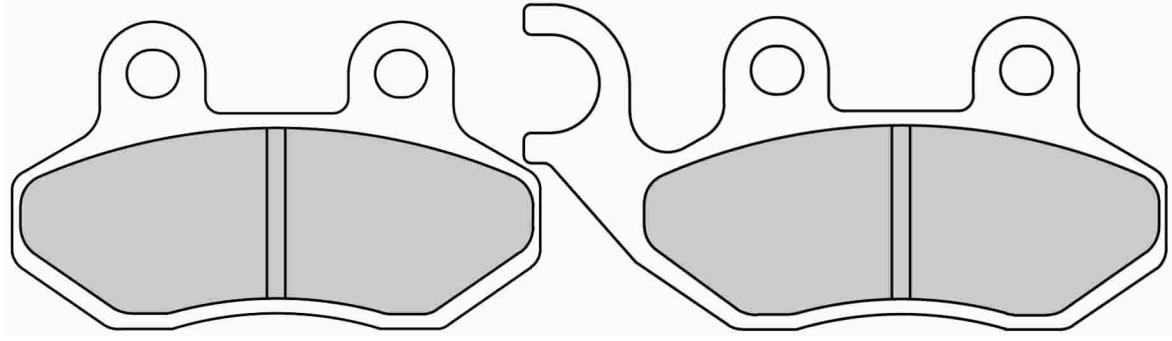
| CROSS REFERENCE | |
|-----------------|----------|
| GALFER | FD 296 |
| NEWFREN | .FD.0381 |

FDB2190

70.2 x 41.5 x 8.2 mm / 85.2 x 43.2 x 8.2 mm

ADIVA, CAGIVA, GARELLI, KSR MOTO BY GENERIC, LAMBRETTA, PEUGEOT, PGO, SYM

FRONT / REAR



| MATERIAL AVAILABILITY | | | | | | | |
|-----------------------|-----|----|----|----|-----|-------|------|
| P | PRP | AG | SG | ST | CP1 | CP211 | XRAC |
| | | ✓ | | | | | |

| EQUIVALENT OE # | |
|-----------------|-----------------|
| OEM Sym | 45105 T6R 000A |
| OEM Sym | 45105 HKF 000A |
| OEM Sym | 45105 G229 00A |
| OEM Sym | 45105 G22 000AC |

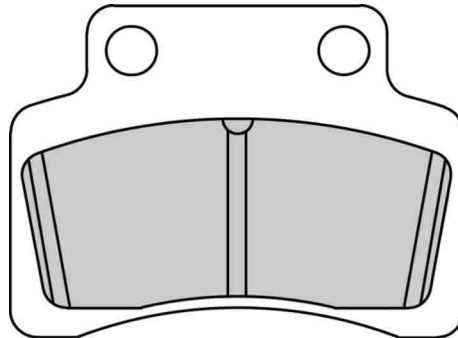
| CROSS REFERENCE | |
|-----------------|----------|
| BREMBO | 7005 |
| EBC | FA264 |
| EBC | SFA264 |
| GALFER | FD 188 |
| NEWFREN | .FD.0219 |
| SBS | 140 |
| SBS | 708 |

FDB2191

60.2 x 44.1 x 9.1 mm

BENELLI, CPI, KYMCO, PEUGEOT

FRONT / REAR



| MATERIAL AVAILABILITY | | | | | | | |
|-----------------------|-----|----|----|----|-----|-------|------|
| P | PRP | AG | SG | ST | CP1 | CP211 | XRAC |
| | | ✓ | | | | | |

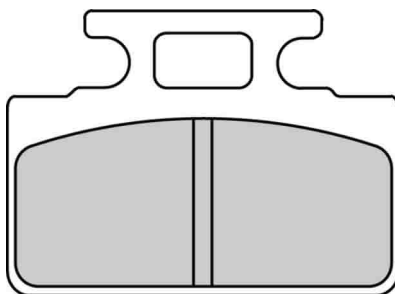
| CROSS REFERENCE | |
|-----------------|----------|
| BREMBO | 7018 |
| CL BRAKES | 3047 |
| EBC | FA235 |
| EBC | SFA235 |
| GALFER | FD 175 |
| NEWFREN | .FD.0223 |
| SBS | 723 |
| VESRAH | VD 996 |

FDB2192

52.0 x 36.8 x 8.2 mm

HONDA, KYMCO, SYM

FRONT / REAR



| MATERIAL AVAILABILITY | | | | | | | |
|-----------------------|-----|----|----|----|-----|-------|------|
| P | PRP | AG | SG | ST | CP1 | CP211 | XRAC |
| | | ✓ | | | | | |

| EQUIVALENT OE # | |
|-----------------|----------------|
| OEM Sym | 45105 GM9 743A |
| OEM Sym | 45100 A3B 000 |
| OEM Sym | 45100 A3B 600 |
| OEM Sym | 45100 A7E 000 |

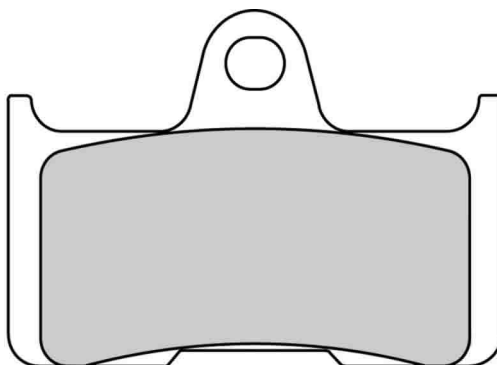
| CROSS REFERENCE | |
|-----------------|----------|
| BREMBO | 7031 |
| CL BRAKES | 2287 |
| EBC | FA151 |
| GALFER | FD 113 |
| NEWFREN | .FD.0139 |
| SBS | 618 |
| VESRAH | VD 150 |

FDB2193

65.8 x 44.7 x 11.4 mm

CFMOTO, QUADZILLA, YAMAHA ATV

REAR



| MATERIAL AVAILABILITY | | | | | | | |
|-----------------------|-----|----|----|----|-----|-------|------|
| P | PRP | AG | SG | ST | CP1 | CP211 | XRAC |
| | | | ✓ | | | | |

| EQUIVALENT OE # | |
|-----------------|--------------|
| OEM Yamaha | 5KM W0046 00 |

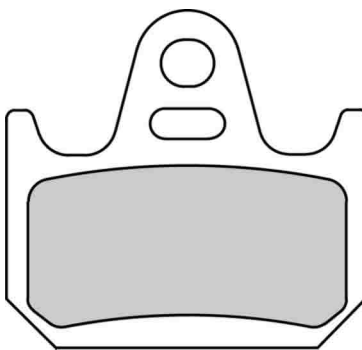
| CROSS REFERENCE | |
|-----------------|----------|
| BREMBO | 07YA45 |
| EBC | FA344 |
| LUCAS | MCB756 |
| NEWFREN | .FD.0388 |
| SBS | 799 |
| VESRAH | VD 270 |

FDB2194

48.1 x 44.6 x 7.1 mm

YAMAHA

REAR



| MATERIAL AVAILABILITY | | | | | | | |
|-----------------------|-----|----|----|----|-----|-------|------|
| P | PRP | AG | SG | ST | CP1 | CP211 | XRAC |
| ⚠ | | | | | | | |

| EQUIVALENT OE # | |
|-----------------|--------------|
| OEM Yamaha | 4TW W0046 00 |

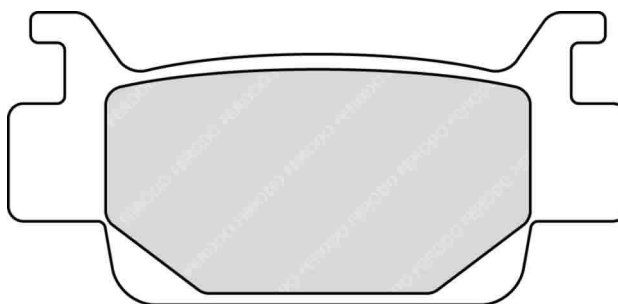
| CROSS REFERENCE | |
|-----------------|----------|
| CL BRAKES | 2269 |
| EBC | FA162 |
| GALFER | FD 163 |
| NEWFREN | .FD.0395 |
| SBS | 659 |

FDB2195

82.0 x 38.7 x 10.2 mm

HONDA ATV

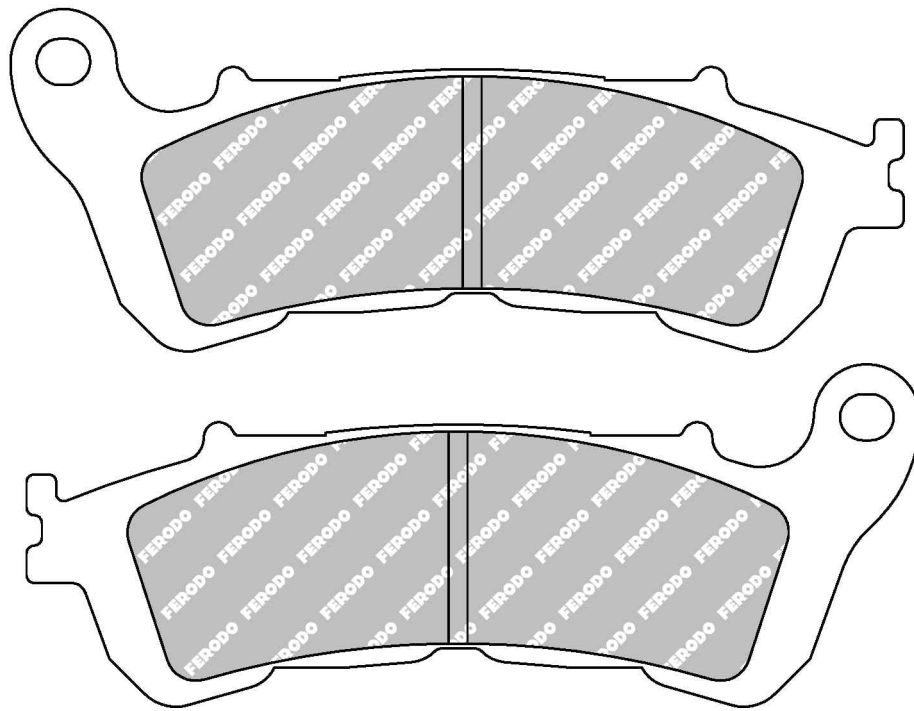
FRONT / REAR



| MATERIAL AVAILABILITY | | | | | | | |
|-----------------------|-----|----|----|----|-----|-------|------|
| P | PRP | AG | SG | ST | CP1 | CP211 | XRAC |
| | | | ✓ | | | | |

| EQUIVALENT OE # | |
|-----------------|---------------|
| OEM Honda | 06451 HPO A01 |

| CROSS REFERENCE | |
|-----------------|----------|
| BREMBO | 07HO58 |
| EBC | FA410 |
| NEWFREN | .FD.0397 |



| ALSO AVAILABLE | | |
|----------------|--------|-------|
| SHAPE | TH. MM | NOTES |
| FDB2211 | 9.0 | |

| MATERIAL AVAILABILITY | | | | | | | |
|-----------------------|-----|----|----|----|-----|-------|------|
| P | PRP | AG | SG | ST | CP1 | CP211 | XRAC |
| | | ✓ | | ✓ | | | |

| CROSS REFERENCE | |
|-----------------|----------|
| BREMBO | 07HO57 |
| CL BRAKES | 1159 |
| EBC | FA388 |
| LUCAS | MCB776 |
| NEWFREN | .FD.0385 |
| SBS | 828 |

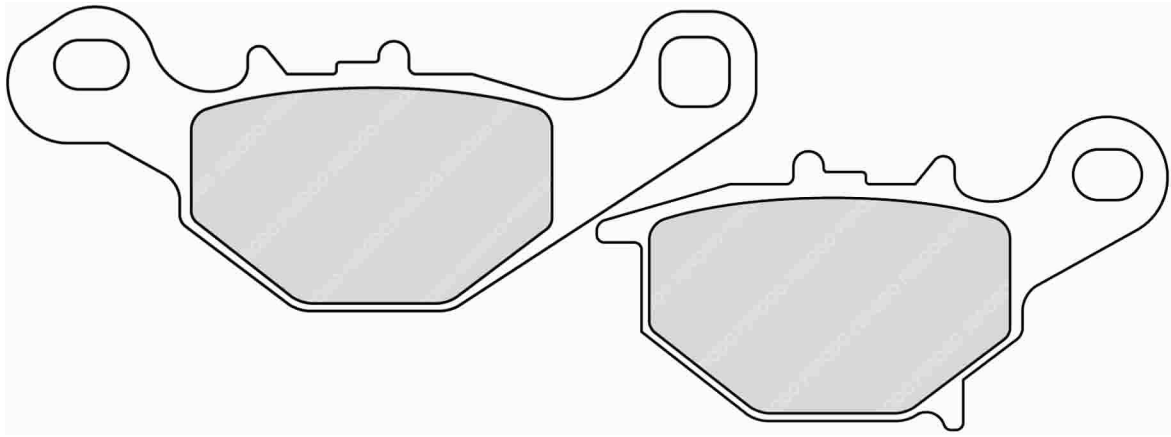
| EQUIVALENT OE # | |
|-----------------|---------------|
| OEM Honda | 06435 MET 651 |
| OEM Honda | 06435 MFA D12 |
| OEM Honda | 06455 MCW H01 |
| OEM Honda | 06455 MCW H02 |
| OEM Honda | 06455 MEH 006 |
| OEM Honda | 06455 MCS G01 |
| OEM Honda | 06455 MCS G02 |
| OEM Honda | 06455 MBT D52 |
| OEM Honda | 06455 MBT D51 |
| OEM Honda | 06455 MBT D52 |
| OEM Honda | 06455 MCW H02 |
| OEM Honda | 06435 MFA D11 |
| OEM Honda | 06435 MFA D12 |
| OEM Suzuki | 59101 03810 |
| OEM Suzuki | 59101 03820 |

FDB2197

75.7 x 41.5 x 8.2 mm / 99.2 x 40.2 x 7.5 mm

SUZUKI

REAR



| MATERIAL AVAILABILITY | | | | | | | |
|-----------------------|-----|----|----|----|-----|-------|------|
| P | PRP | AG | SG | ST | CP1 | CP211 | XRAC |
| | | | ✓ | | | | |

| EQUIVALENT OE # | |
|-----------------|-------------|
| OEM Suzuki | 69100 03880 |

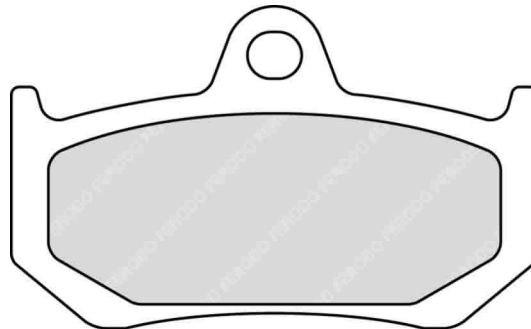
| CROSS REFERENCE | |
|-----------------|----------|
| BREMBO | 07SU31 |
| CL BRAKES | 1152 |
| EBC | FA401 |
| NEWFREN | .FD.0399 |
| SBS | 820 |

FDB2198

69.9 x 42.9 x 7.4 mm

MV AGUSTA

REAR



| MATERIAL AVAILABILITY | | | | | | | |
|-----------------------|-----|----|----|----|-----|-------|------|
| P | PRP | AG | SG | ST | CP1 | CP211 | XRAC |
| | | | | ✓ | | | |

| EQUIVALENT OE # | |
|-----------------|------------|
| OEM MV Agusta | 8000 82748 |

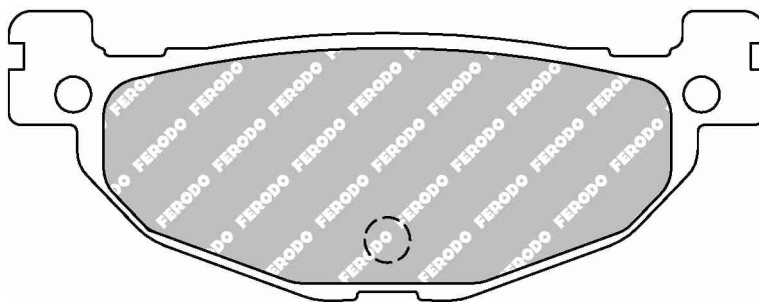
| CROSS REFERENCE | |
|-----------------|----------|
| BREMBO | 07GR35 |
| EBC | FA320 |
| NEWFREN | .FD.0391 |
| SBS | 763 |
| VESRAH | VD 998 |

FDB2200

100.1 x 38.3 x 12.0 mm

MBK, YAMAHA

REAR



| MATERIAL AVAILABILITY | | | | | | | |
|-----------------------|-----|----|----|----|-----|-------|------|
| P | PRP | AG | SG | ST | CP1 | CP211 | XRAC |
| ✓ | | | | | | | |

| EQUIVALENT OE # | |
|-----------------|--------------|
| OEM Yamaha | 5RU W0046 00 |
| OEM Yamaha | 5GM W0046 00 |
| OEM Yamaha | 5VU W0046 00 |
| OEM Yamaha | 5NR F5811 10 |
| OEM Yamaha | 5VU W0046 01 |
| OEM Yamaha | 5RU 25806 00 |

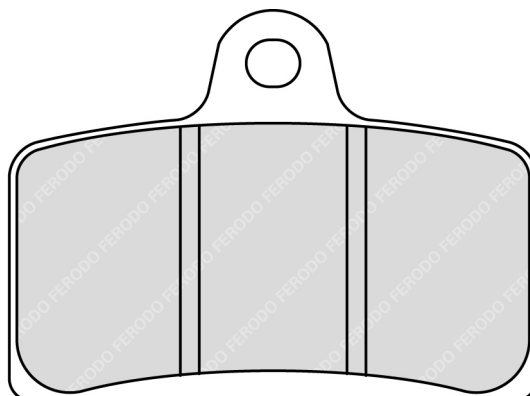
| CROSS REFERENCE | |
|-----------------|----------|
| BREMBO | 7059 |
| CL BRAKES | 3075 |
| EBC | FA408 |
| EBC | SFA408 |
| NEWFREN | .FD.0378 |
| SBS | 185 |
| SBS | 812 |

FDB2201

70.0 x 51.7 x 7.5 mm

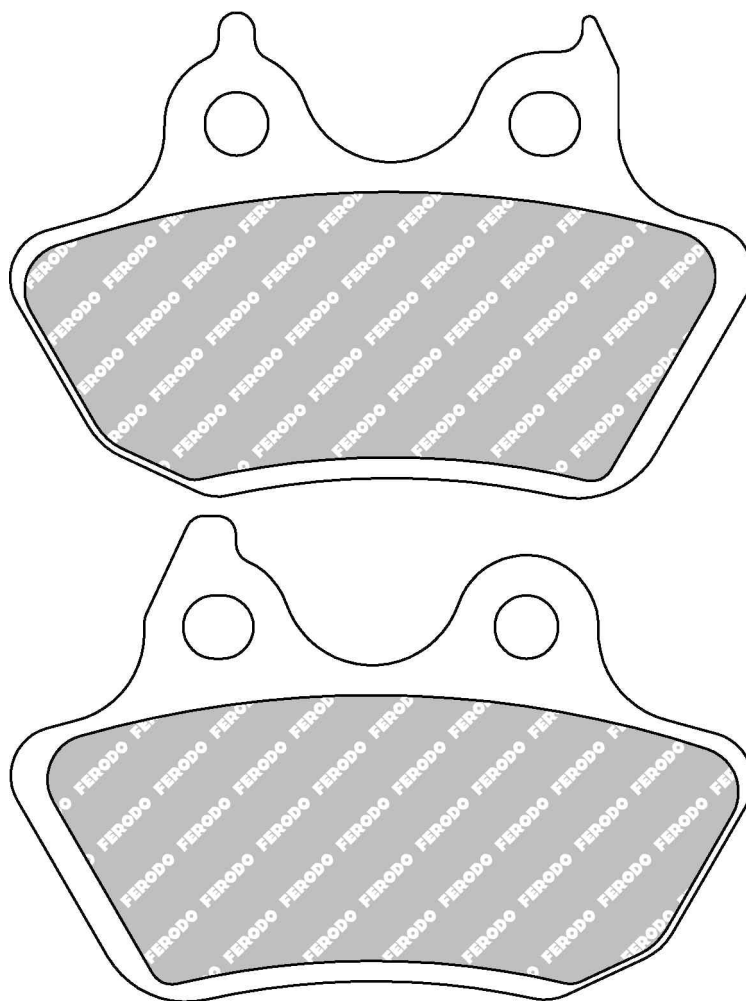
APRILIA, DERBI, PEUGEOT

FRONT



| MATERIAL AVAILABILITY | | | | | | | |
|-----------------------|-----|----|----|----|-----|-------|------|
| P | PRP | AG | SG | ST | CP1 | CP211 | XRAC |
| | | | | ✓ | | | |

| CROSS REFERENCE | |
|-----------------|----------|
| BREMBO | 07GR72 |
| EBC | FA399 |
| LUCAS | MCB780 |
| NEWFREN | .FD.0380 |
| SBS | 821 |



| MATERIAL AVAILABILITY | | | | | | | |
|-----------------------|-----|----|----|----|-----|-------|------|
| P | PRP | AG | SG | ST | CP1 | CP211 | XRAC |
| ✓ | | | | ✓ | | | |

| EQUIVALENT OE # | |
|-----------------|-----------|
| OEM Harley | 44082 00C |
| OEM Harley | 46721-06 |

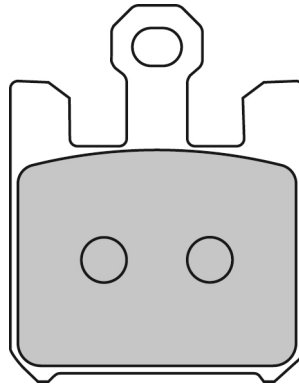
| CROSS REFERENCE | |
|-----------------|----------|
| BREMBO | 07HD16 |
| EBC | FA400 |
| NEWFREN | .FD.0389 |
| NEWFREN | .FD.0416 |
| SBS | 846 |
| VESRAH | VD 9022 |

FDB2203

39.0 x 49.9 x 9.3 mm

KAWASAKI, SUZUKI
Set of 4 Pads

FRONT



| ALSO AVAILABLE | | |
|----------------|--------|-------|
| SHAPE | TH. MM | NOTES |
| FDB2164 | 7.9 | |

| MATERIAL AVAILABILITY | | | | | | | |
|-----------------------|-----|----|----|----|-----|-------|------|
| P | PRP | AG | SG | ST | CP1 | CP211 | XRAC |
| | | | | | | | ✓ |

| EQUIVALENT OE # | |
|-----------------|------------------|
| OEM Numbers | Refer to FDB2164 |

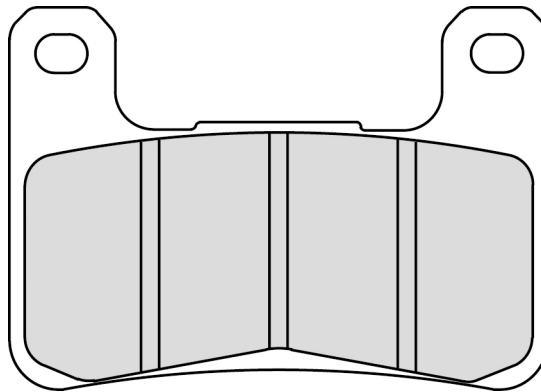
| CROSS REFERENCE | |
|-----------------|----------|
| BREMBO | 07SU26 |
| CL BRAKES | 1110 |
| EBC | FA369/4 |
| GALFER | FD 290 |
| LUCAS | MCB742 |
| NEWFREN | .FD.0408 |
| SBS | 788 |
| VESRAH | VD 354 |

FDB2204

71.7 x 50.3 x 9.3 mm

SUZUKI

FRONT



| ALSO AVAILABLE | | |
|----------------|--------|-------|
| SHAPE | TH. MM | NOTES |
| FDB2178 | 7.8 | |

| MATERIAL AVAILABILITY | | | | | | | |
|-----------------------|-----|----|----|----|-----|-------|------|
| P | PRP | AG | SG | ST | CP1 | CP211 | XRAC |
| | | | | | ✓ | | ✓ |

| EQUIVALENT OE # | |
|-----------------|------------------|
| OEM Numbers | Refer to FDB2178 |

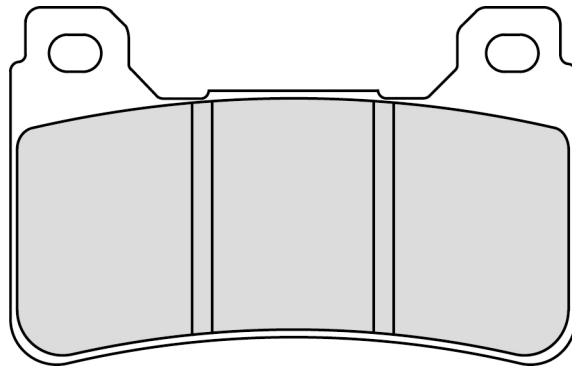
| CROSS REFERENCE | |
|-----------------|----------|
| BREMBO | 07SU27 |
| CL BRAKES | 1133 |
| EBC | FA379 |
| GALFER | FD 325 |
| LUCAS | MCB752 |
| NEWFREN | .FD.0409 |
| SBS | 306 |
| VESRAH | VD 355 |

FDB2205

74.6 x 47.4 x 9.0 mm

HONDA

FRONT



| ALSO AVAILABLE | | |
|----------------|--------|-------|
| SHAPE | TH. MM | NOTES |
| FDB2181 | 8.0 | |

| MATERIAL AVAILABILITY | | | | | | | |
|-----------------------|-----|----|----|----|-----|-------|------|
| P | PRP | AG | SG | ST | CP1 | CP211 | XRAC |
| | | | | | ✓ | | ✓ |

| EQUIVALENT OE # | |
|-----------------|------------------|
| OEM Numbers | Refer to FDB2181 |

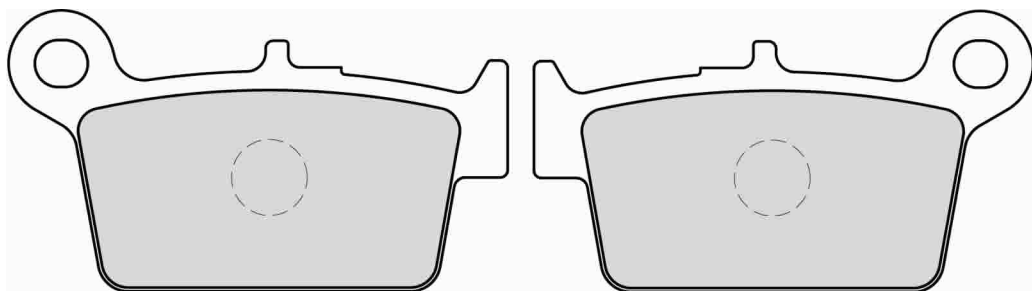
| CROSS REFERENCE | |
|-----------------|----------|
| BREMBO | 07HO50 |
| CL BRAKES | 1134 |
| EBC | FA390 |
| GALFER | FD 326 |
| LUCAS | MCB755 |
| NEWFREN | .FD.0410 |
| SBS | 809 |
| VESRAH | VD 170 |

FDB2206

66.2 x 37.2 x 7.6 mm

BETA

REAR



| MATERIAL AVAILABILITY | | | | | | | |
|-----------------------|-----|----|----|----|-----|-------|------|
| P | PRP | AG | SG | ST | CP1 | CP211 | XRAC |
| ✓ | | | | | | | |

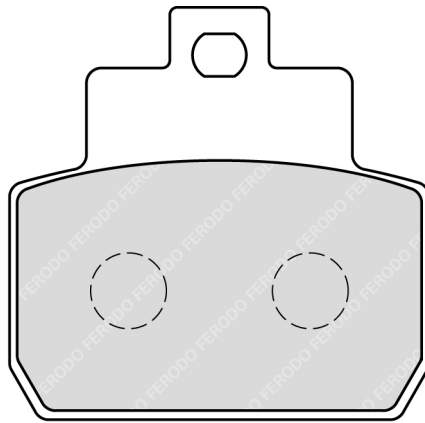
| CROSS REFERENCE | |
|-----------------|----------|
| EBC | FA367/2 |
| NEWFREN | .FD.0398 |
| SBS | 861 |

FDB2207

55.7 x 54.5 x 8.0 mm

PIAGGIO

REAR



| MATERIAL AVAILABILITY | | | | | | | |
|-----------------------|-----|----|----|----|-----|-------|------|
| P | PRP | AG | SG | ST | CP1 | CP211 | XRAC |
| | | ✓ | | | | | |

| EQUIVALENT OE # | |
|-----------------|--------|
| OEM Piaggio | 647400 |

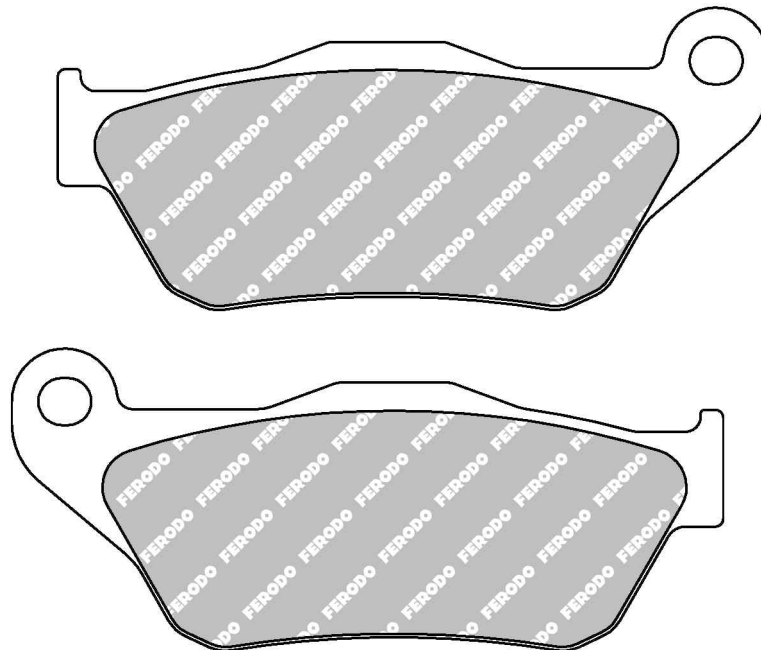
| CROSS REFERENCE | |
|-----------------|----------|
| BREMBO | 7061 |
| EBC | FA425 |
| EBC | SFA425 |
| NEWFREN | .FD.0394 |

FDB2208

94.0 x 40.0 x 7.6 mm

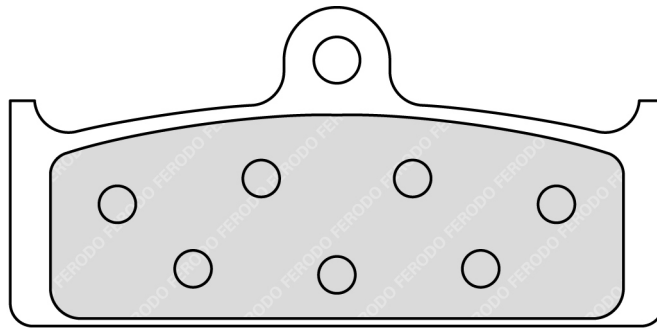
YAMAHA

FRONT



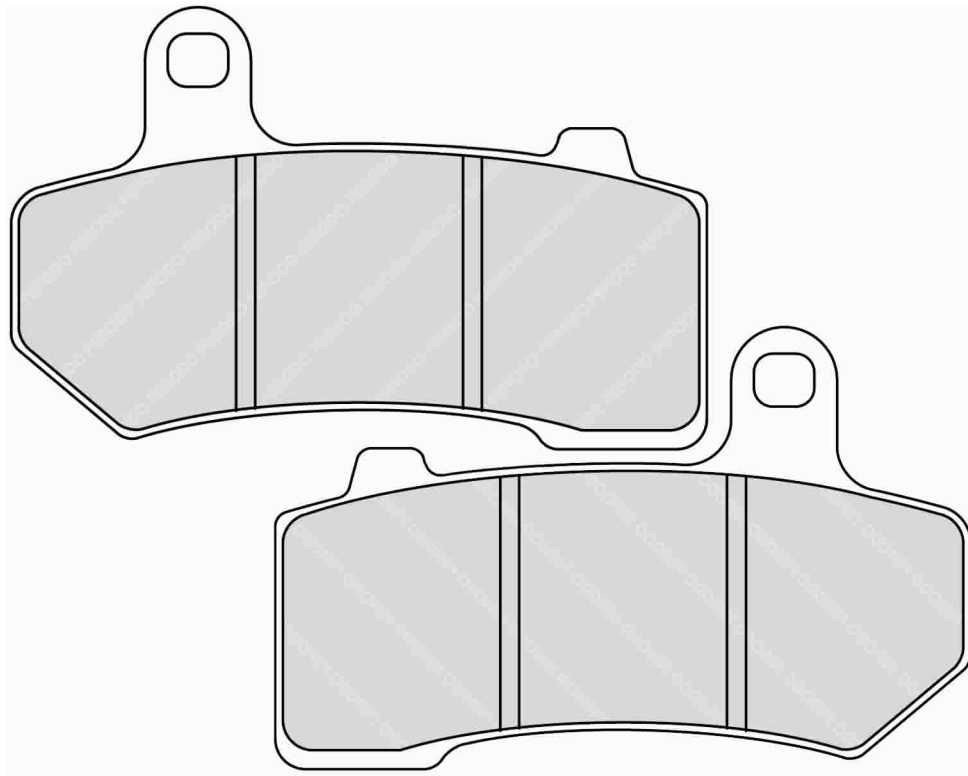
| MATERIAL AVAILABILITY | | | | | | | |
|-----------------------|-----|----|----|----|-----|-------|------|
| P | PRP | AG | SG | ST | CP1 | CP211 | XRAC |
| | | ✓ | | | | | |

| CROSS REFERENCE | |
|-----------------|----------|
| BREMBO | 7065 |
| EBC | SFA430 |
| NEWFREN | .FD.0396 |
| SBS | 194 |



| MATERIAL AVAILABILITY | | | | | | | |
|-----------------------|-----|----|----|----|-----|-------|------|
| P | PRP | AG | SG | ST | CP1 | CP211 | XRAC |
| | | | | | | | ✓ |

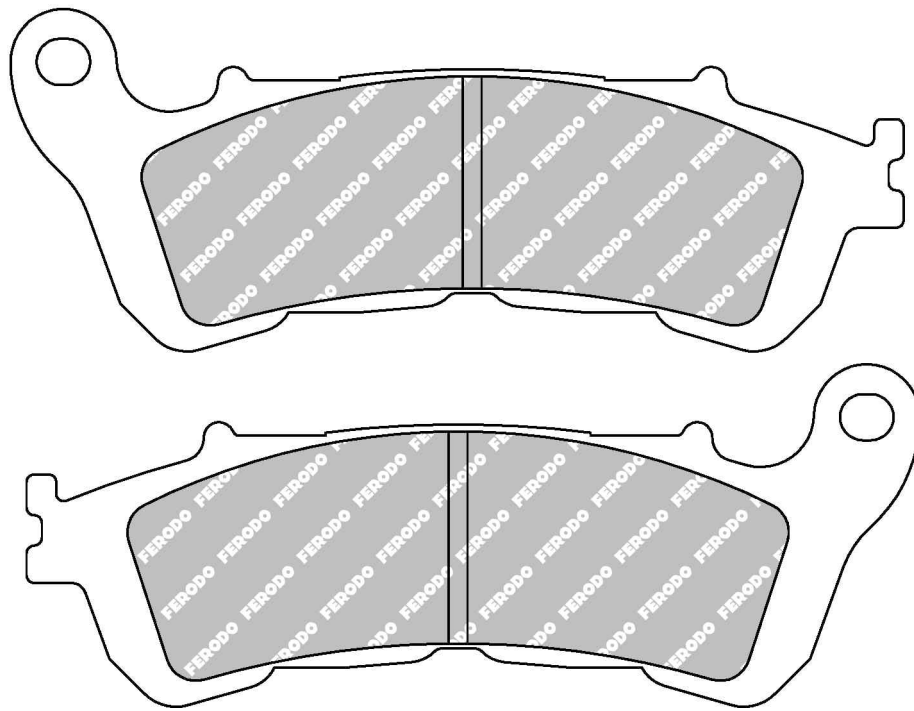
| CROSS REFERENCE | |
|-----------------|----------|
| NEWFREN | .FD.0403 |



| MATERIAL AVAILABILITY | | | | | | | |
|-----------------------|-----|----|----|----|-----|-------|------|
| P | PRP | AG | SG | ST | CP1 | CP211 | XRAC |
| ✓ | | | | ✓ | | | |

| CROSS REFERENCE | |
|-----------------|------------|
| BREMBO | 07.92.8720 |
| CL BRAKES | 1172 |
| DUNLOPAD | 962 |
| EBC | FA409 |
| NEWFREN | .FD.0405 |
| SBS | 830 |

| EQUIVALENT OE # | |
|-----------------|-----------|
| OEM Harley | 42850 06A |
| OEM Harley | 42897 06 |
| OEM Harley | 42850 06B |
| OEM Harley | 42850 06 |
| OEM Harley | 41854 08 |
| OEM Harley | 41852 08 |
| OEM Harley | 42897 08 |
| OEM Harley | 428490 6A |



| ALSO AVAILABLE | | |
|----------------|--------|-------|
| SHAPE | TH. MM | NOTES |
| FDB2196 | 8.4 | |

| MATERIAL AVAILABILITY | | | | | | | |
|-----------------------|-----|----|----|----|-----|-------|------|
| P | PRP | AG | SG | ST | CP1 | CP211 | XRAC |
| | | ✓ | | | | | |

| EQUIVALENT OE # | |
|-----------------|---------------|
| OEM Honda | 06455 KSV J04 |

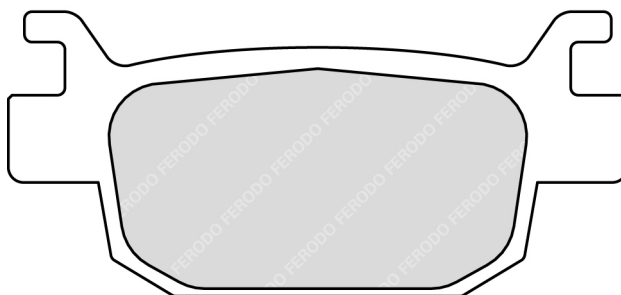
| CROSS REFERENCE | |
|-----------------|----------|
| BREMBO | 7063 |
| CL BRAKES | 1159 |
| EBC | FA388 |
| LUCAS | MCB776 |
| NEWFREN | .FD.0400 |

FDB2212

81.8 x 37.7 x 9.6 mm

HONDA

REAR



| MATERIAL AVAILABILITY | | | | | | | |
|-----------------------|-----|----|----|----|-----|-------|------|
| P | PRP | AG | SG | ST | CP1 | CP211 | XRAC |
| | | ✓ | | ✓ | | | |

| EQUIVALENT OE # | |
|-----------------|---------------|
| OEM Honda | 06435 KTW 901 |
| OEM Honda | 06435 KRJ 791 |

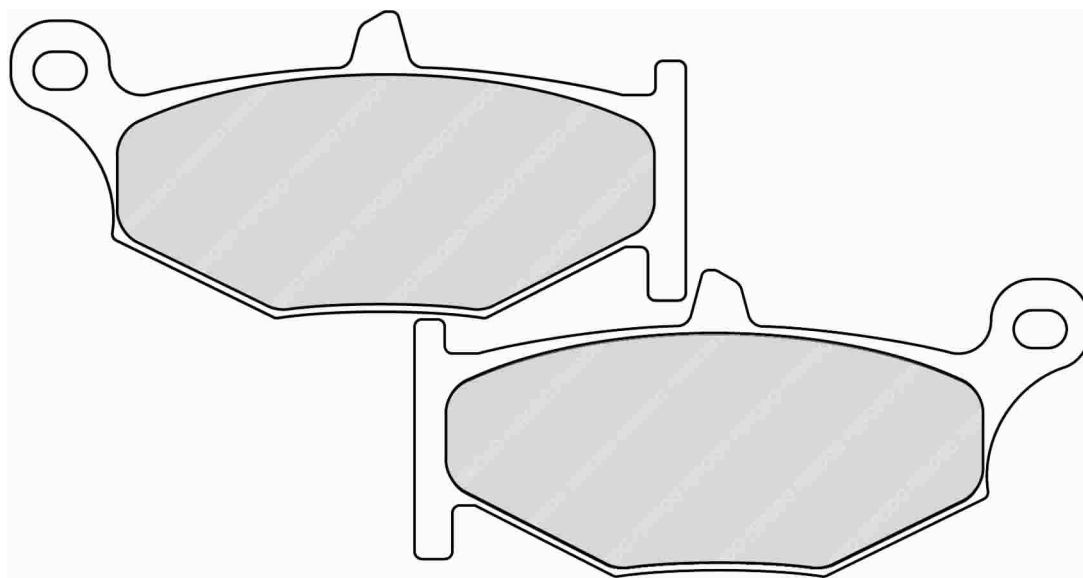
| CROSS REFERENCE | |
|-----------------|----------|
| BREMBO | 7064 |
| CL BRAKES | 3083 |
| EBC | FA415 |
| EBC | SFA415 |
| NEWFREN | .FD.0401 |

FDB2213

89.4 x 40.7 x 9.8 mm

SUZUKI

REAR



| MATERIAL AVAILABILITY | | | | | | | |
|-----------------------|-----|----|----|----|-----|-------|------|
| P | PRP | AG | SG | ST | CP1 | CP211 | XRAC |
| ✓ | | | | ✓ | | | |

| EQUIVALENT OE # | |
|-----------------|-------------|
| OEM Suzuki | 69101 44830 |
| OEM Suzuki | 69100 15830 |
| OEM Suzuki | 69101 44810 |
| OEM Suzuki | 69101 44820 |
| OEM Suzuki | 69100 15820 |

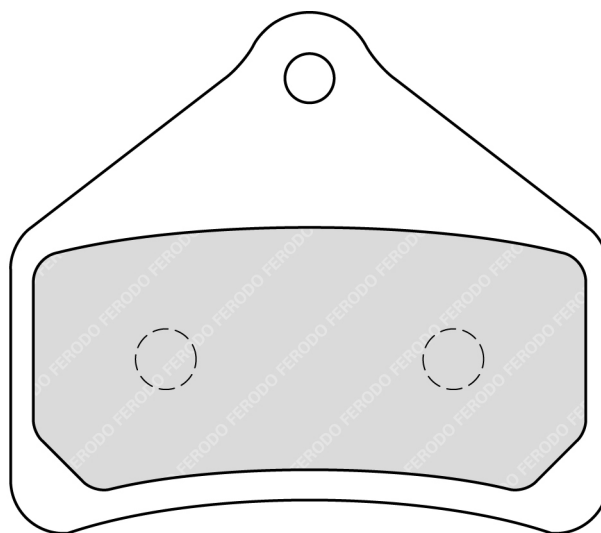
| CROSS REFERENCE | |
|-----------------|----------|
| BREMBO | 07SU32 |
| CL BRAKES | 1163 |
| EBC | FA419 |
| LUCAS | MCB783 |
| NEWFREN | .FD.0402 |

FDB2214

79.1 x 69.1 x 10.3 mm

ARCTIC CAT ATV

FRONT



| MATERIAL AVAILABILITY | | | | | | | |
|-----------------------|-----|----|----|----|-----|-------|------|
| P | PRP | AG | SG | ST | CP1 | CP211 | XRAC |
| | | | ⚠ | | | | |

| CROSS REFERENCE | |
|-----------------|----------|
| NEWFREN | .FD.0442 |

FDB2215

35.2 x 39.7 x 8.5 mm

Set of 4 Pads



| ALSO AVAILABLE | | |
|----------------|--------|-------|
| SHAPE | TH. MM | NOTES |
| FDB2120 | 7.6 | |

| MATERIAL AVAILABILITY | | | | | | | |
|-----------------------|-----|----|----|----|-----|-------|------|
| P | PRP | AG | SG | ST | CP1 | CP211 | XRAC |
| | | | | | ✓ | | ✓ |

| EQUIVALENT OE # | |
|-----------------|------------------|
| OEM Numbers | Refer to FDB2120 |

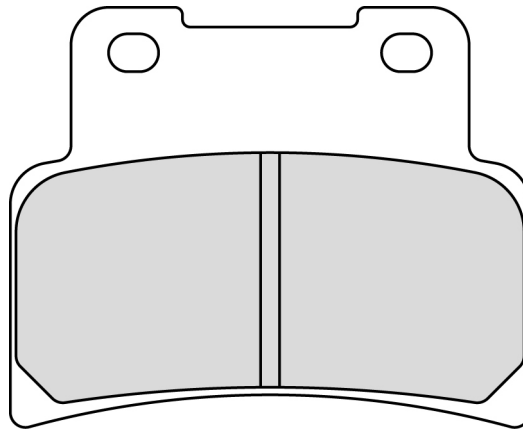
| CROSS REFERENCE | |
|-----------------|----------|
| BREMBO | 07BB0510 |
| CL BRAKES | 1033 |
| EBC | FA322 |
| LUCAS | MCB721 |
| NEWFREN | .FD.0413 |
| SBS | 762 |

FDB2216

68.6 x 55.5 x 9.2 mm

APRILIA, SYM

FRONT



| MATERIAL AVAILABILITY | | | | | | | |
|-----------------------|-----|----|----|----|-----|-------|------|
| P | PRP | AG | SG | ST | CP1 | CP211 | XRAC |
| ✓ | | | | ✓ | ✓ | | |

| EQUIVALENT OE # | |
|-----------------|---------|
| OEM Aprilia | 8133943 |

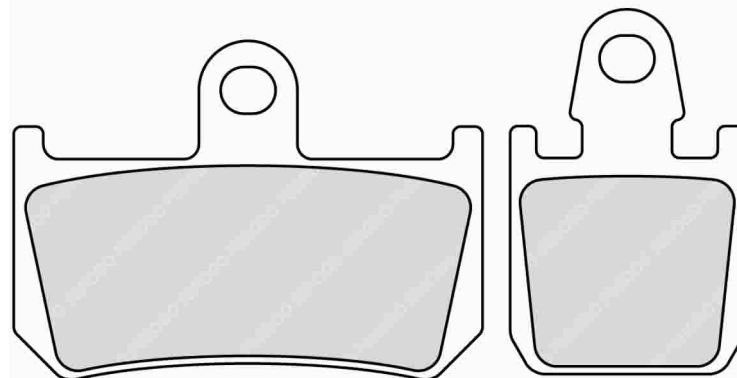
| CROSS REFERENCE | |
|-----------------|----------|
| BREMBO | 07GR7707 |
| CL BRAKES | 1187 |
| EBC | FA432 |
| LUCAS | MCB786 |
| NEWFREN | .FD.0404 |
| SBS | 844 |

FDB2217

62.1 x 44.6 x 8.9 mm / 31.0 x 48.1 x 8.9 mm

YAMAHA
Set of 4 Pads

FRONT



| MATERIAL AVAILABILITY | | | | | | | |
|-----------------------|-----|----|----|----|-----|-------|------|
| P | PRP | AG | SG | ST | CP1 | CP211 | XRAC |
| | | | | ✓ | ✓ | | ✓ |

| EQUIVALENT OE # | |
|-----------------|--------------|
| OEM Yamaha | 4C8 W0045 00 |

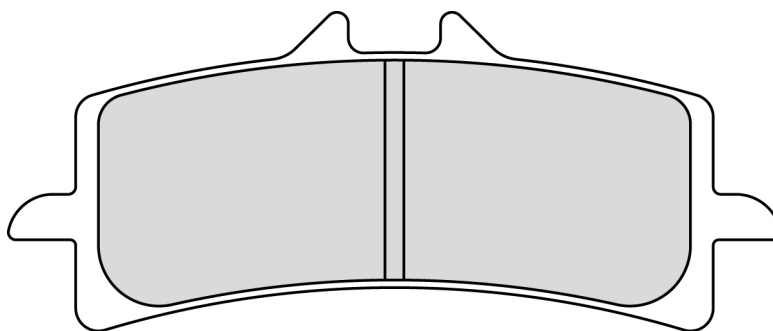
| CROSS REFERENCE | |
|-----------------|----------|
| BREMBO | 07YA46 |
| CL BRAKES | 1180 |
| EBC | FA442 |
| LUCAS | MCB795 |
| NEWFREN | .FD.0407 |
| SBS | 839 |

FDB2218

102.2 x 42.0 x 8.6 mm

APRILIA, BIMOTA, BMW, DUCATI, HONDA, KTM, MOTO GUZZI, MV AGUSTA, SUZUKI, TRIUMPH

FRONT



| ALSO AVAILABLE | | |
|----------------|--------|-------|
| SHAPE | TH. MM | NOTES |
| FDB2260 | 7.5 | |

| MATERIAL AVAILABILITY | | | | | | | |
|-----------------------|-----|----|----|----|-----|-------|------|
| P | PRP | AG | SG | ST | CP1 | CP211 | XRAC |
| | | | | ✗ | ✓ | | ✓ |

| EQUIVALENT OE # | |
|-----------------|-----------------|
| OEM BMW | 34 11 7 710 743 |
| OEM Ducati | 61340791A |
| OEM KTM | 69013030000 |
| OEM MV Agusta | 8000 B1421 |
| OEM MV Agusta | 8000 B1601 |

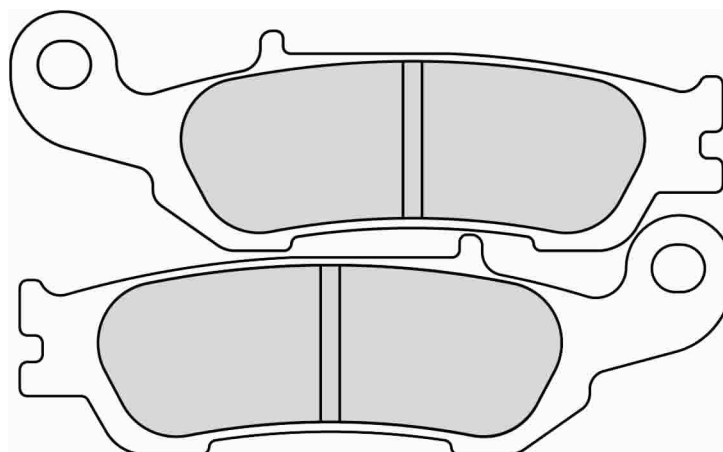
| CROSS REFERENCE | |
|-----------------|----------|
| BREMBO | 07BB3050 |
| CL BRAKES | 1185 |
| EBC | FA447 |
| LUCAS | MCB792 |
| NEWFREN | .FD.0415 |
| SBS | 841 |

FDB2219

94.1 x 31.5 x 7.2 mm

YAMAHA

FRONT



| MATERIAL AVAILABILITY | | | | | | | |
|-----------------------|-----|----|----|----|-----|-------|------|
| P | PRP | AG | SG | ST | CP1 | CP211 | XRAC |
| | | | ✓ | | | | |

| EQUIVALENT OE # | |
|-----------------|--------------|
| OEM Yamaha | 5XC W0045 00 |

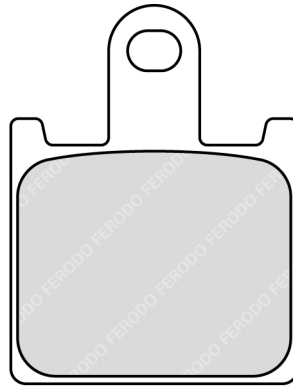
| CROSS REFERENCE | |
|-----------------|----------|
| BREMBO | 07YA47 |
| EBC | FA450 |
| LUCAS | MCB791 |
| NEWFREN | .FD.0411 |
| SBS | 840 |

FDB2220

37.9 x 50.0 x 9.5 mm

KAWASAKI
Set of 4 Pads

FRONT



| MATERIAL AVAILABILITY | | | | | | | |
|-----------------------|-----|----|----|----|-----|-------|------|
| P | PRP | AG | SG | ST | CP1 | CP211 | XRAC |
| | | | | ✓ | ✓ | | ✓ |

| EQUIVALENT OE # | |
|-----------------|------------|
| OEM Kawasaki | 43082 0071 |
| OEM Kawasaki | 43082 0053 |
| OEM Kawasaki | 43082 0104 |
| OEM Kawasaki | 43082 0072 |

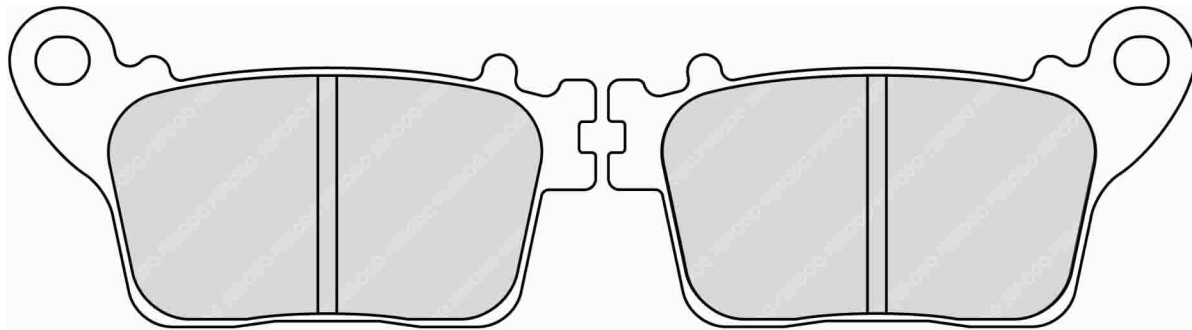
| CROSS REFERENCE | |
|-----------------|----------|
| BREMBO | 07KA28 |
| CL BRAKES | 1177 |
| EBC | FA417/4 |
| LUCAS | MCB789 |
| NEWFREN | .FD.0419 |
| SBS | 838 |

FDB2221

76.6 x 42.1 x 8.9 mm

HONDA, KAWASAKI, SUZUKI

REAR



| MATERIAL AVAILABILITY | | | | | | | |
|-----------------------|-----|----|----|----|-----|-------|------|
| P | PRP | AG | SG | ST | CP1 | CP211 | XRAC |
| ✓ | | | | ✓ | | | |

| EQUIVALENT OE # | |
|-----------------|---------------|
| OEM Honda | 06435 MEL D21 |
| OEM Honda | 06435 MEL D22 |

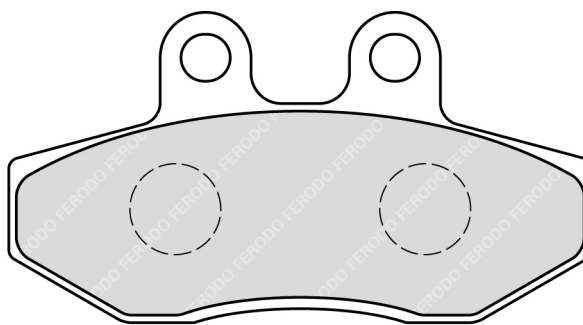
| CROSS REFERENCE | |
|-----------------|----------|
| BREMBO | 07HO59 |
| CL BRAKES | 1174 |
| EBC | FA436 |
| LUCAS | MCB785 |
| NEWFREN | .FD.0412 |
| SBS | 834 |
| VESRAH | VD 359 |

FDB2224

77.2 x 41.2 x 9.0 mm

YAMAHA

FRONT



| MATERIAL AVAILABILITY | | | | | | | |
|-----------------------|-----|----|----|----|-----|-------|------|
| P | PRP | AG | SG | ST | CP1 | CP211 | XRAC |
| ✓ | | | | | | | |

| EQUIVALENT OE # | |
|-----------------|---------------------------|
| OEM Yamaha | 5NW W0045 00 (until 2010) |
| OEM Yamaha | 4P9 W0045 00 (from 2011) |

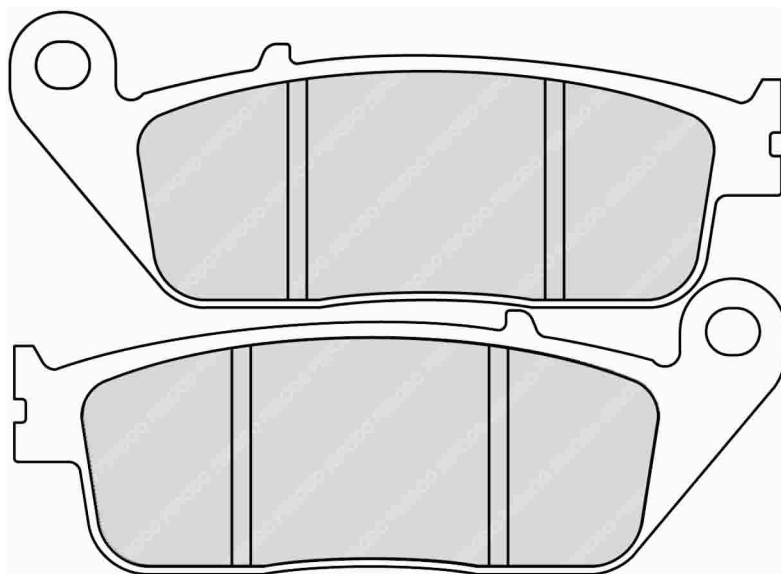
| CROSS REFERENCE | |
|-----------------|----------|
| BREMBO | 7068 |
| EBC | FA393 |
| EBC | SFA393 |
| NEWFREN | .FD.0414 |
| SBS | 823 |

FDB2225

102.1 x 39.0 x 10.3 mm

KYMCO

FRONT / REAR



| MATERIAL AVAILABILITY | | | | | | | |
|-----------------------|-----|----|----|----|-----|-------|------|
| P | PRP | AG | SG | ST | CP1 | CP211 | XRAC |
| | | ✓ | | | | | |

| CROSS REFERENCE | |
|-----------------|----------|
| BREMBO | 07HO3405 |
| EBC | FA142 |
| LUCAS | MCB631 |
| NEWFREN | .FD.0406 |
| SBS | 627 |

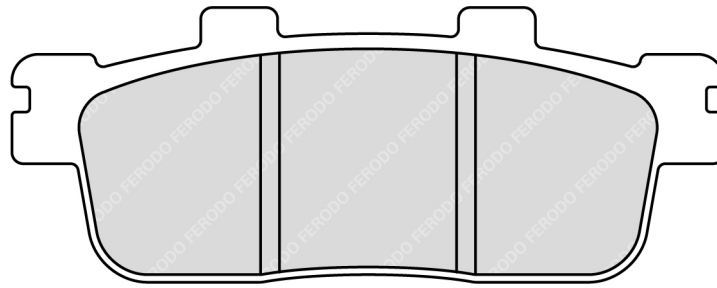
5170

FDB2226

94.1 x 36.2 x 10.2 mm

KYMCO, PEUGEOT, SYM, SYM ATV

FRONT / REAR



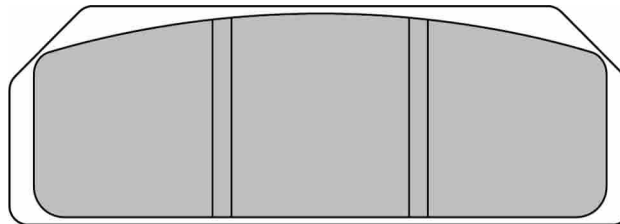
| MATERIAL AVAILABILITY | | | | | | | |
|-----------------------|-----|----|----|----|-----|-------|------|
| P | PRP | AG | SG | ST | CP1 | CP211 | XRAC |
| | | ✓ | | | | | |

| EQUIVALENT OE # | |
|-----------------|----------------|
| OEM Kymco | 43105 LDH1 E00 |
| OEM Kymco | 156175 |
| OEM Sym | 43105-HMA-000A |
| OEM Sym | 43108-HMA-000A |

| CROSS REFERENCE | |
|-----------------|----------|
| BREMBO | 7069 |
| EBC | FA427 |
| EBC | SFA607 |
| NEWFREN | .FD.0417 |
| SBS | 195 |
| SBS | 201 |
| SBS | 847 |

FDB2228

82.2 x 28.8 x 9.5 mm



| MATERIAL AVAILABILITY | | | | | | | |
|-----------------------|-----|----|----|----|-----|-------|------|
| P | PRP | AG | SG | ST | CP1 | CP211 | XRAC |
| | | | | | ✓ | | ✓ |

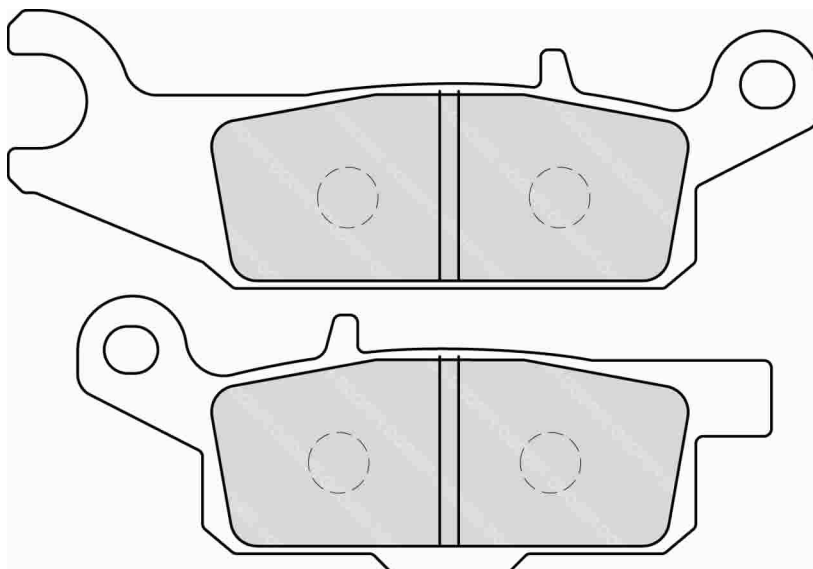
| CROSS REFERENCE | |
|-----------------|------------|
| BREMBO | 07.8354.24 |
| EBC | GFA611HH |
| SBS | 845 |

FDB2230

107.4 x 36.7 x 8.0 mm / 91.7 x 36.5 x 8.0 mm

YAMAHA ATV

FRONT



| MATERIAL AVAILABILITY | | | | | | | |
|-----------------------|-----|----|----|----|-----|-------|------|
| P | PRP | AG | SG | ST | CP1 | CP211 | XRAC |
| | | | ✓ | | | | |

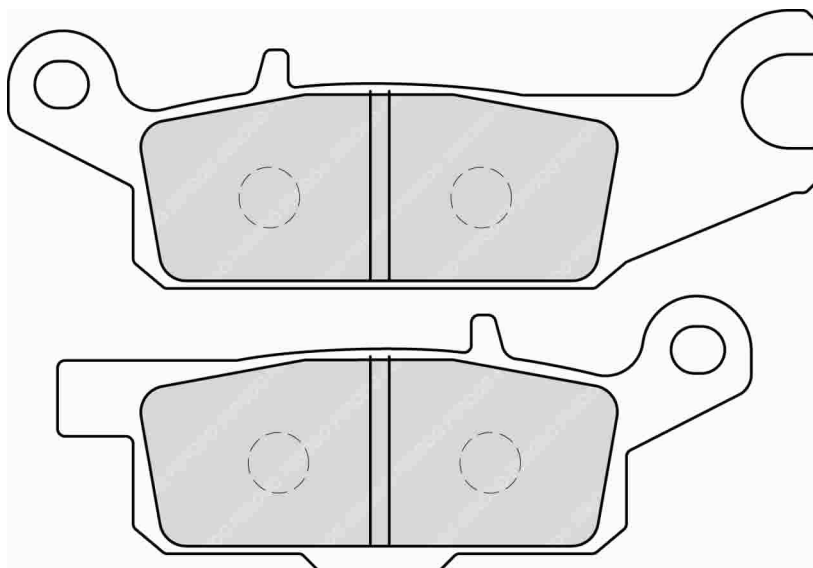
| CROSS REFERENCE | |
|-----------------|----------|
| BREMBO | 07YA48 |
| EBC | FA444 |
| NEWFREN | .FD.0429 |
| SBS | 849 |

FDB2231

107.4 x 36.7 x 8.0 mm / 91.7 x 36.5 x 8.0 mm

YAMAHA ATV

FRONT



| MATERIAL AVAILABILITY | | | | | | | |
|-----------------------|-----|----|----|----|-----|-------|------|
| P | PRP | AG | SG | ST | CP1 | CP211 | XRAC |
| | | | ✓ | | | | |

| CROSS REFERENCE | |
|-----------------|----------|
| BREMBO | 07YA49 |
| EBC | FA443 |
| NEWFREN | .FD.0427 |
| NEWFREN | .FD.0430 |
| SBS | 850 |

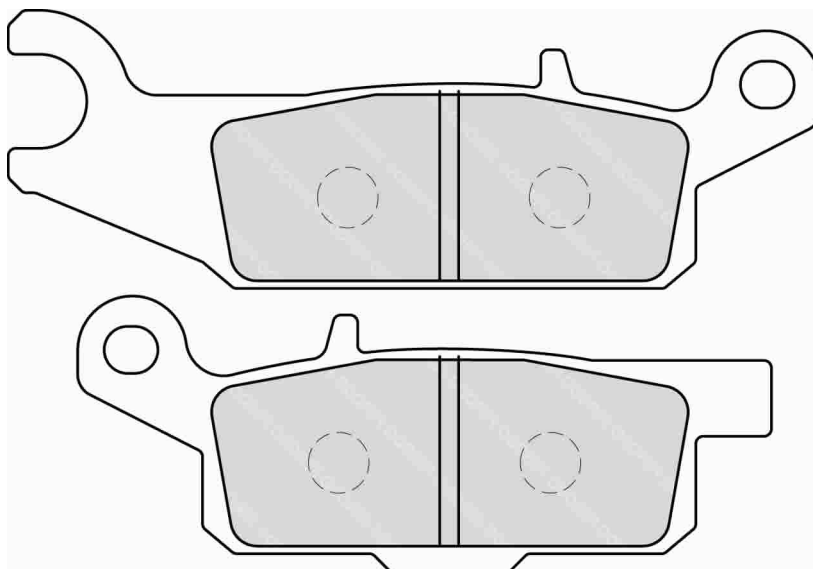
5172

FDB2232

107.4 x 36.7 x 9.0 mm / 91.7 x 36.5 x 9.0 mm

YAMAHA ATV

REAR



| MATERIAL AVAILABILITY | | | | | | | |
|-----------------------|-----|----|----|----|-----|-------|------|
| P | PRP | AG | SG | ST | CP1 | CP211 | XRAC |
| | | | ✓ | | | | |

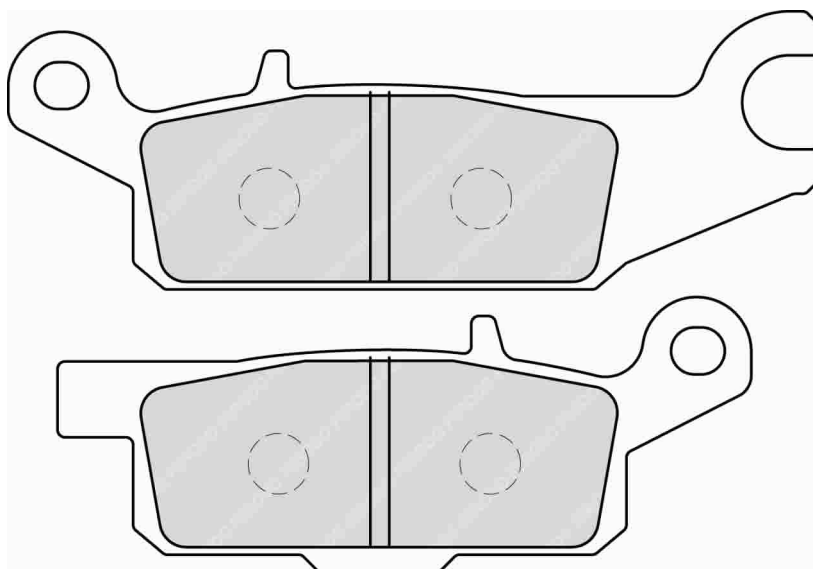
| CROSS REFERENCE | |
|-----------------|----------|
| BREMBO | 07YA50 |
| EBC | FA446 |
| NEWFREN | .FD.0428 |
| NEWFREN | .FD.0430 |
| SBS | 851 |

FDB2233

107.4 x 36.7 x 9.0 mm / 91.7 x 36.5 x 9.0 mm

YAMAHA ATV

REAR



| MATERIAL AVAILABILITY | | | | | | | |
|-----------------------|-----|----|----|----|-----|-------|------|
| P | PRP | AG | SG | ST | CP1 | CP211 | XRAC |
| | | | ✓ | | | | |

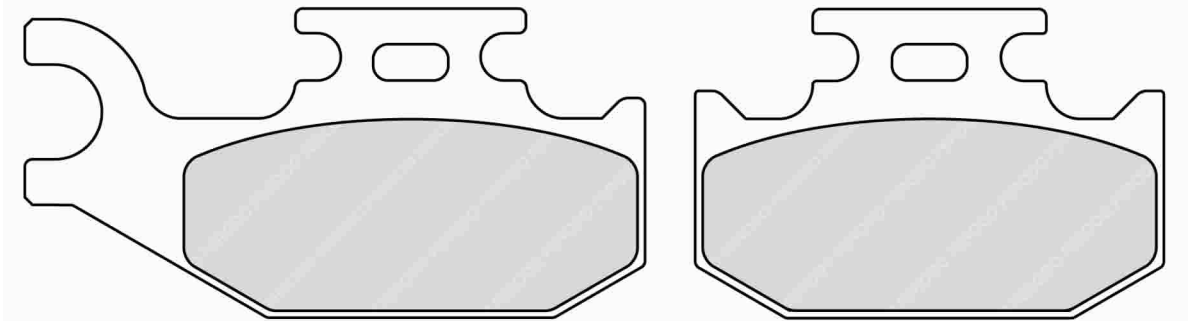
| CROSS REFERENCE | |
|-----------------|----------|
| BREMBO | 07YA51 |
| EBC | FA445 |
| NEWFREN | .FD.0428 |
| SBS | 852 |

FDB2235

62.1 x 40.9 x 9.4 mm / 82.2 x 40.9 x 9.4 mm

YAMAHA ATV

REAR



| MATERIAL AVAILABILITY | | | | | | | |
|-----------------------|-----|----|----|----|-----|-------|------|
| P | PRP | AG | SG | ST | CP1 | CP211 | XRAC |
| | | | ✓ | | | | |

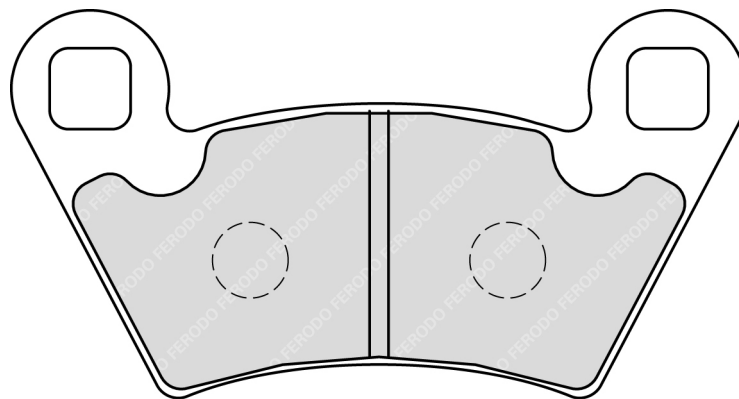
| CROSS REFERENCE | |
|-----------------|--------|
| BREMBO | 07GR50 |
| CL BRAKES | 1102 |
| EBC | FA428 |
| LUCAS | MCB723 |

FDB2236

97.1 x 51.2 x 7.7 mm

POLARIS ATV

FRONT / REAR



| MATERIAL AVAILABILITY | | | | | | | |
|-----------------------|-----|----|----|----|-----|-------|------|
| P | PRP | AG | SG | ST | CP1 | CP211 | XRAC |
| | | | ✓ | | | | |

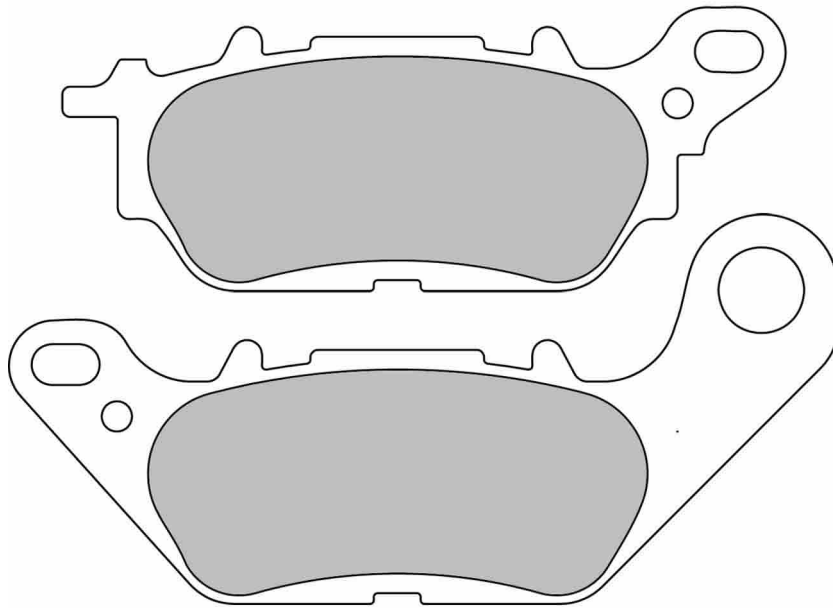
| CROSS REFERENCE | |
|-----------------|---------|
| BREMBO | 07PO07 |
| EBC | FA354 |
| SBS | 800 |
| VESRAH | VD 9024 |

FDB2238

95.8 x 37.6 x 8.3 mm / 109.8 x 51.5 x 8.3 mm

YAMAHA

FRONT



| MATERIAL AVAILABILITY | | | | | | | |
|-----------------------|-----|----|----|----|-----|-------|------|
| P | PRP | AG | SG | ST | CP1 | CP211 | XRAC |
| ✓ | | ✓ | | | | | |

| CROSS REFERENCE | |
|-----------------|----------|
| EBC | FA464 |
| NEWFREN | .FD.0437 |
| SBS | 858 |

| EQUIVALENT OE # | |
|-----------------|--------------|
| OEM Yamaha | 4S5 W0045 00 |
| OEM Yamaha | 4C9 W0045 00 |

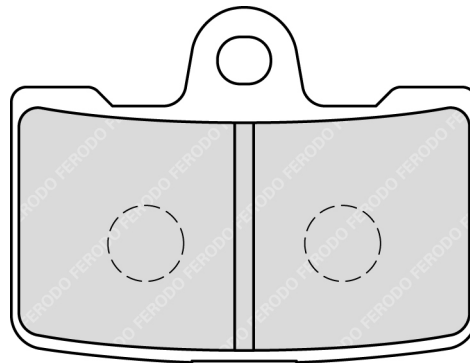
FDB2240

61.6 x 46.6 x 7.4 mm

BUELL

Set of 4 Pads

FRONT



| MATERIAL AVAILABILITY | | | | | | | |
|-----------------------|-----|----|----|----|-----|-------|------|
| P | PRP | AG | SG | ST | CP1 | CP211 | XRAC |
| | | | | ✓ | | | ✉ |

| CROSS REFERENCE | |
|-----------------|----------|
| EBC | FA454/4 |
| NEWFREN | .FD.0438 |
| SBS | 856 |

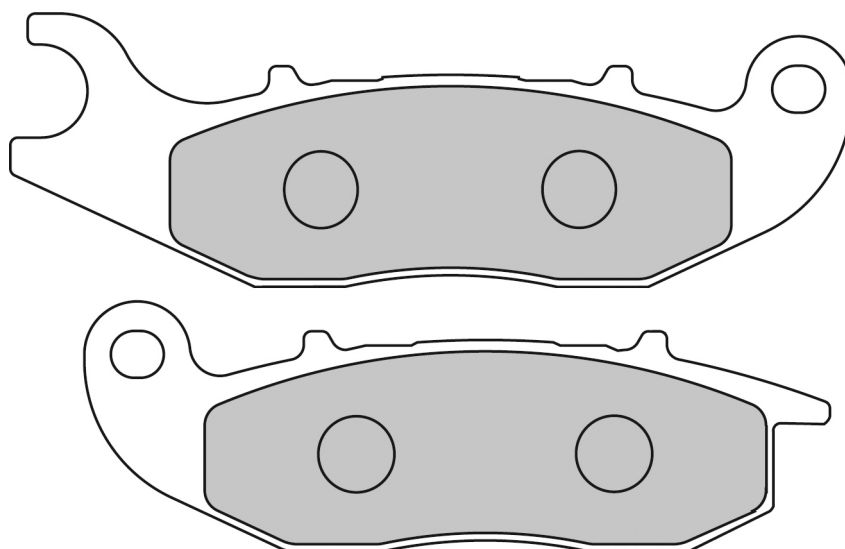
| EQUIVALENT OE # | |
|-----------------|------------|
| OEM Buell | H0300 1AMA |

FDB2242

111.4 x 36.3 x 7.6 mm / 98.8 x 33.3 x 7.6 mm

AJP, DERBI, FANTIC, HONDA, RIEJU, SCORPA

FRONT



| MATERIAL AVAILABILITY | | | | | | | |
|-----------------------|-----|----|----|----|-----|-------|------|
| P | PRP | AG | SG | ST | CP1 | CP211 | XRAC |
| ✓ | | ✓ | | | | | |

| EQUIVALENT OE # | |
|-----------------|--------|
| OEM Derbi | 864342 |
| OEM Derbi | 865527 |

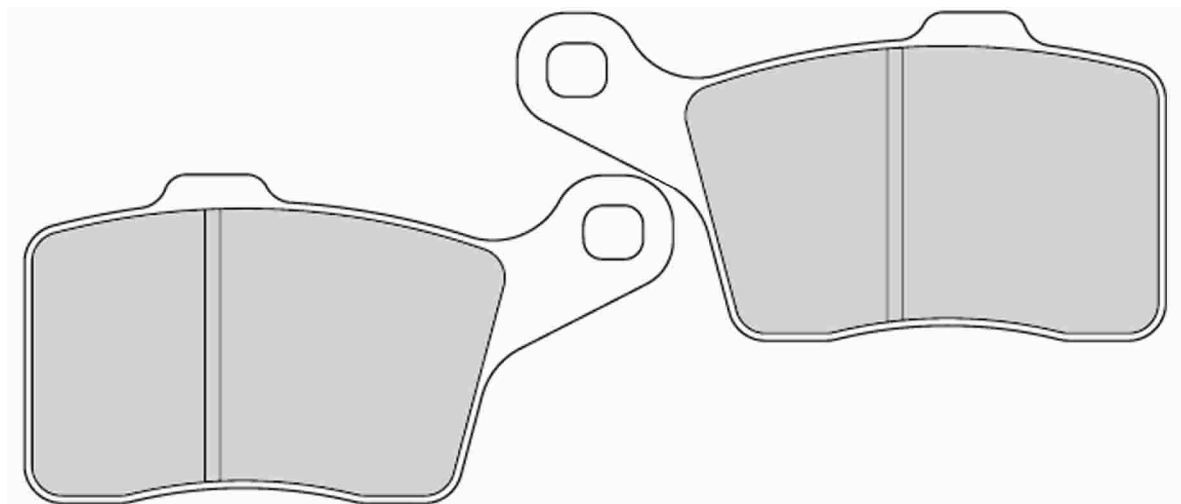
| CROSS REFERENCE | |
|-----------------|----------|
| EBC | FA465 |
| NEWFREN | .FD.0444 |
| SBS | 859 |

FDB2243

86.2 x 43.5 x 10.0 mm

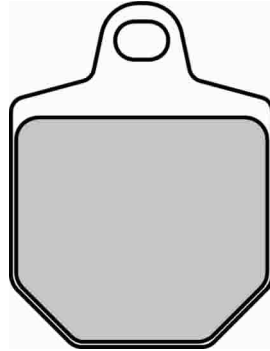
SKI DOO SNOWMOBILE

FRONT



| MATERIAL AVAILABILITY | | | | | | | |
|-----------------------|-----|----|----|----|-----|-------|------|
| P | PRP | AG | SG | ST | CP1 | CP211 | XRAC |
| ⚠ | | | ✓ | | ✉ | | |

| CROSS REFERENCE | |
|-----------------|----------|
| NEWFREN | .FD.0448 |



| MATERIAL AVAILABILITY | | | | | | | |
|-----------------------|-----|----|----|----|-----|-------|------|
| P | PRP | AG | SG | ST | CP1 | CP211 | XRAC |
| | | | | ✔ | | | |

| CROSS REFERENCE | |
|-----------------|----------|
| BREMBO | 07GR76 |
| EBC | FA433/4 |
| LUCAS | MCB794 |
| NEWFREN | .FD.0363 |
| SBS | 843 |

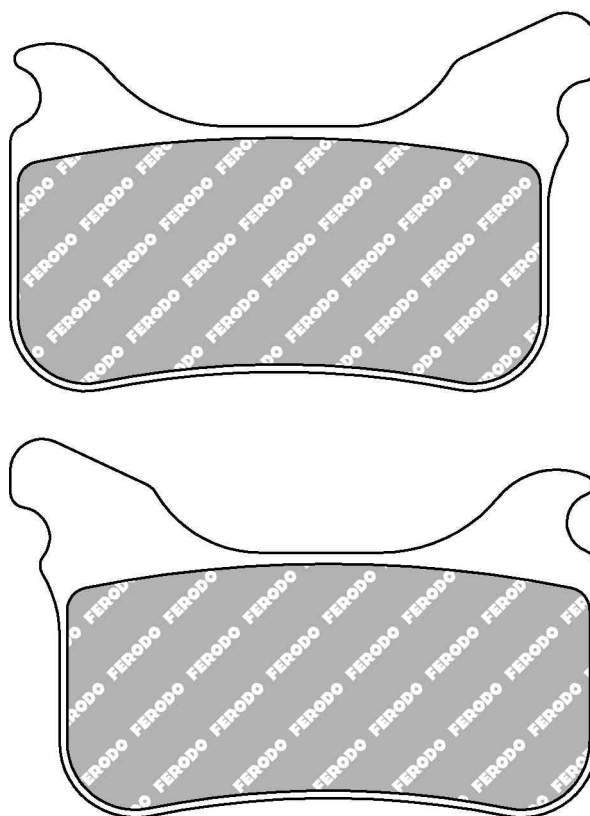
| EQUIVALENT OE # | |
|-----------------|-------------|
| OEM KTM | 59413030000 |

FDB2245

76.7 x 49.7 x 8.3 mm

APRILIA, HUSABERG, KTM

FRONT



| MATERIAL AVAILABILITY | | | | | | | |
|-----------------------|-----|----|----|----|-----|-------|------|
| P | PRP | AG | SG | ST | CP1 | CP211 | XRAC |
| | | | | ✓ | | | |

| EQUIVALENT OE # | |
|-----------------|--------|
| OEM Aprilia | 854972 |

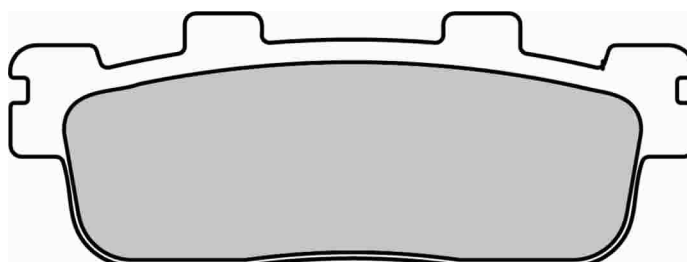
| CROSS REFERENCE | |
|-----------------|--------|
| EBC | FA405 |
| EBC | MXS405 |
| SBS | 842 |

FDB2248

90.1 x 33.3 x 9.8 mm

KAWASAKI, KYMCO

REAR

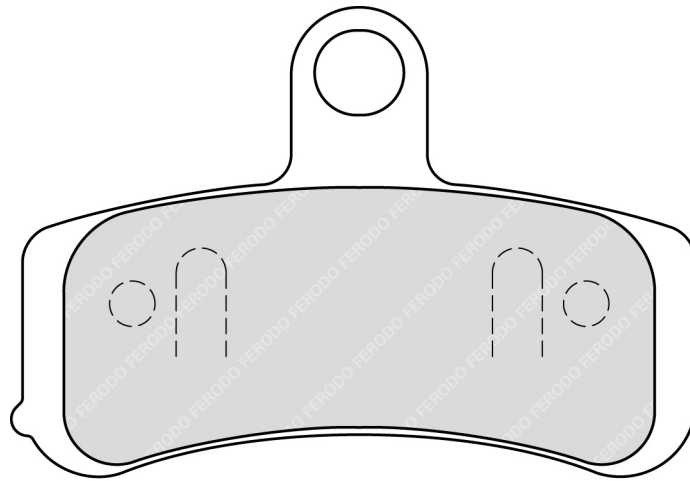


| MATERIAL AVAILABILITY | | | | | | | |
|-----------------------|-----|----|----|----|-----|-------|------|
| P | PRP | AG | SG | ST | CP1 | CP211 | XRAC |
| | | ✓ | | | | | |

| EQUIVALENT OE # | |
|-----------------|--------|
| OEM Kymco | 143071 |

| CROSS REFERENCE | |
|-----------------|---------|
| EBC | SFA498 |
| NEWFREN | FD.0460 |
| SBS | 204 |

5178



| MATERIAL AVAILABILITY | | | | | | | |
|-----------------------|-----|----|----|----|-----|-------|------|
| P | PRP | AG | SG | ST | CP1 | CP211 | XRAC |
| | | | | ✔ | | | |

| CROSS REFERENCE | |
|-----------------|----------|
| EBC | FA457 |
| NEWFREN | .FD.0443 |
| SBS | 853 |

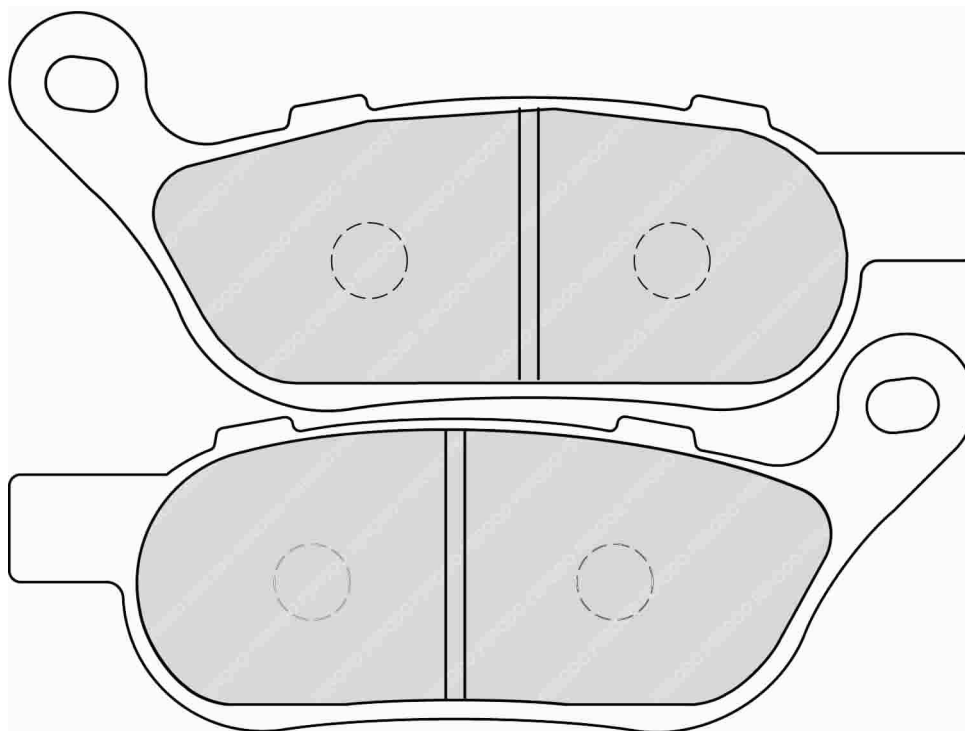
| EQUIVALENT OE # | |
|-----------------|----------|
| OEM Harley | 44082 08 |

FDB2251

127.6 x 52.6 x 7.4 mm

HARLEY DAVIDSON

REAR



| MATERIAL AVAILABILITY | | | | | | | |
|-----------------------|-----|----|----|----|-----|-------|------|
| P | PRP | AG | SG | ST | CP1 | CP211 | XRAC |
| | | | | ✓ | | | |

| EQUIVALENT OE # | |
|-----------------|----------|
| OEM Harley | 42298 08 |

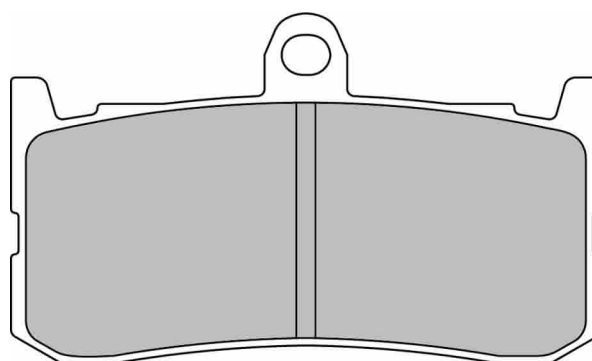
| CROSS REFERENCE | |
|-----------------|----------|
| DUNLOPAD | DP987 |
| EBC | FA458 |
| NEWFREN | .FD.0436 |
| SBS | 854 |
| VESRAH | VD 9035 |

FDB2252

78.5 x 46.5 x 7.5 mm

TRIUMPH

FRONT



| MATERIAL AVAILABILITY | | | | | | | |
|-----------------------|-----|----|----|----|-----|-------|------|
| P | PRP | AG | SG | ST | CP1 | CP211 | XRAC |
| | | | | ✓ | | | ✓ |

| EQUIVALENT OE # | |
|-----------------|----------|
| OEM Triumph | T2021221 |

| CROSS REFERENCE | |
|-----------------|-------|
| EBC | FA491 |
| SBS | 864 |

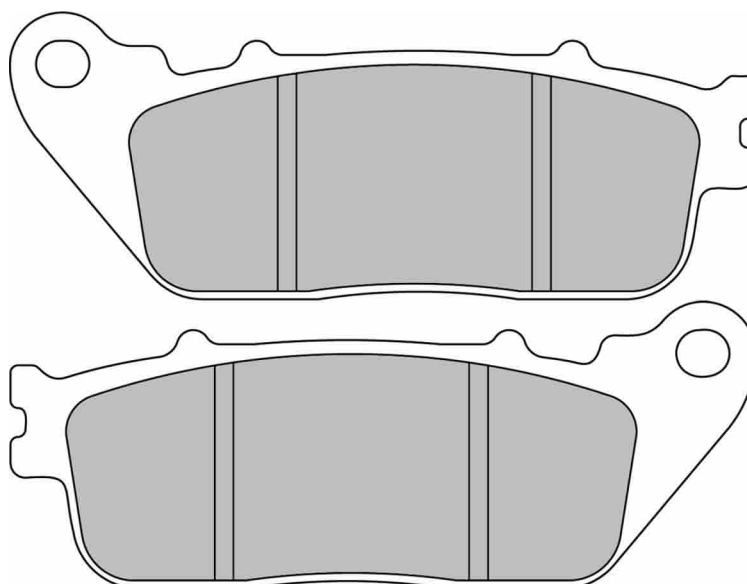
5180

FDB2253

99.6 x 38.4 x 10.4 mm

HONDA

REAR



| MATERIAL AVAILABILITY | | | | | | | |
|-----------------------|-----|----|----|----|-----|-------|------|
| P | PRP | AG | SG | ST | CP1 | CP211 | XRAC |
| | | | | ✔ | | | |

| CROSS REFERENCE | |
|-----------------|----------|
| EBC | FA488 |
| NEWFREN | .FD.0446 |
| SBS | 862 |

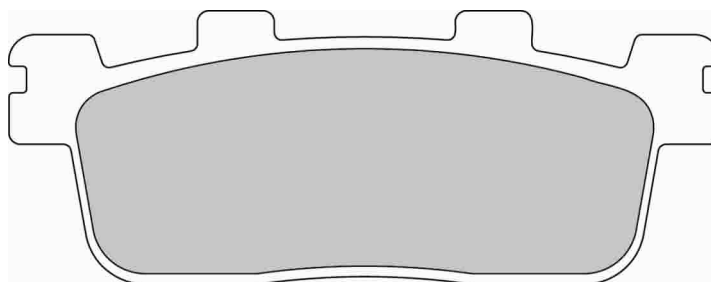
| EQUIVALENT OE # | |
|-----------------|---------------|
| OEM Honda | 06435 MFN D01 |

FDB2254

94.1 x 36.2 x 10.0 mm

KYMCO

REAR



| MATERIAL AVAILABILITY | | | | | | | |
|-----------------------|-----|----|----|----|-----|-------|------|
| P | PRP | AG | SG | ST | CP1 | CP211 | XRAC |
| | | ✔ | | | | | |

| CROSS REFERENCE | |
|-----------------|----------|
| NEWFREN | .FD.0445 |
| SBS | 195 |
| SBS | 863 |

| EQUIVALENT OE # | |
|-----------------|---------------|
| OEM Kymco | 43105-LDH-E00 |

FDB2255

35.2 x 39.7 x 9.0 mm

BMW
Set of 4 Pads

FRONT



| MATERIAL AVAILABILITY | | | | | | | |
|-----------------------|-----|----|----|----|-----|-------|------|
| P | PRP | AG | SG | ST | CP1 | CP211 | XRAC |
| | | | | ✓ | | | ✓ |

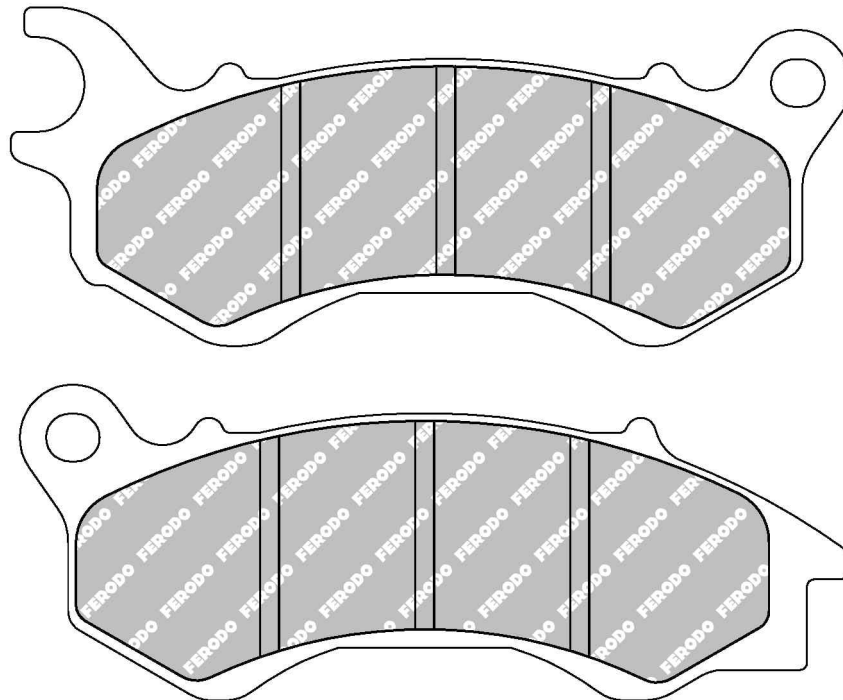
| CROSS REFERENCE | |
|-----------------|---------|
| EBC | FA604/4 |

FDB2256

111.0 x 44.7 x 8.0 mm / 109.5 x 41.7 x 8.0 mm

HONDA

FRONT



| MATERIAL AVAILABILITY | | | | | | | |
|-----------------------|-----|----|----|----|-----|-------|------|
| P | PRP | AG | SG | ST | CP1 | CP211 | XRAC |
| | | ✓ | | | | | |

| CROSS REFERENCE | |
|-----------------|----------|
| EBC | FA603 |
| EBC | SFA603 |
| NEWFREN | .FD.0467 |
| SBS | 205 |

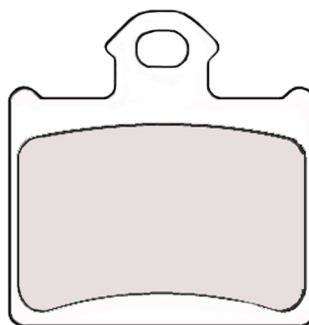
| EQUIVALENT OE # | |
|-----------------|---------------|
| OEM Honda | 06455-GFM-D31 |
| OEM Honda | 06455-KWN-641 |
| OEM Honda | 06455-KZL-861 |

FDB2257

41.0 x 42.4 x 7.3 mm

HUSQVARNA, KTM

REAR



| MATERIAL AVAILABILITY | | | | | | | |
|-----------------------|-----|----|----|----|-----|-------|------|
| P | PRP | AG | SG | ST | CP1 | CP211 | XRAC |
| | | | ✓ | | | | |

| CROSS REFERENCE | |
|-----------------|-------|
| EBC | FA602 |
| SBS | 872 |

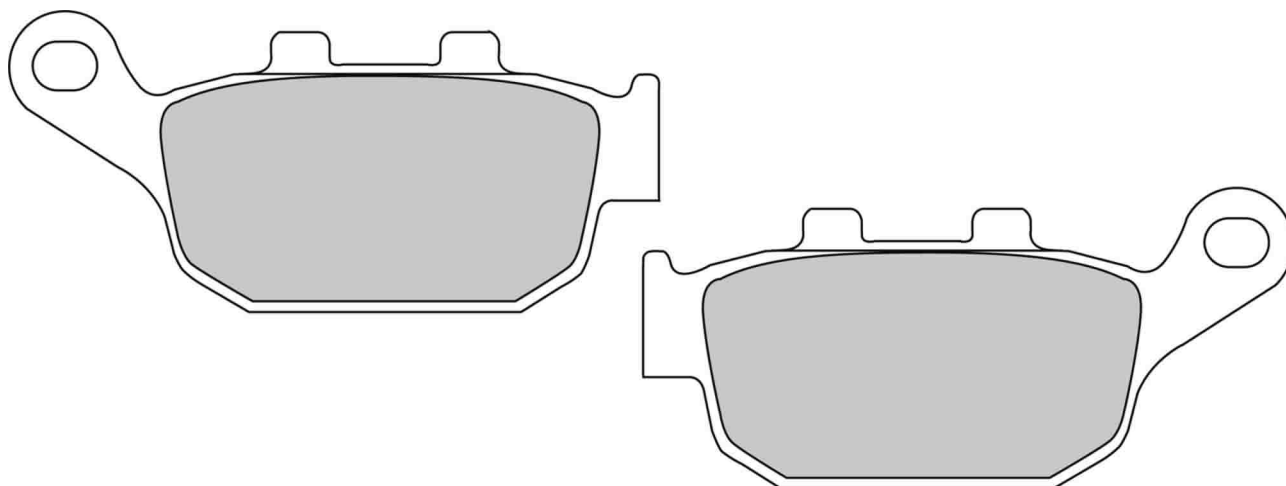
| EQUIVALENT OE # | |
|-----------------|-------------|
| OEM Ktm | 47013090300 |

FDB2258

86.0 x 40.0 x 8.9 mm

KAWASAKI, SUZUKI

REAR

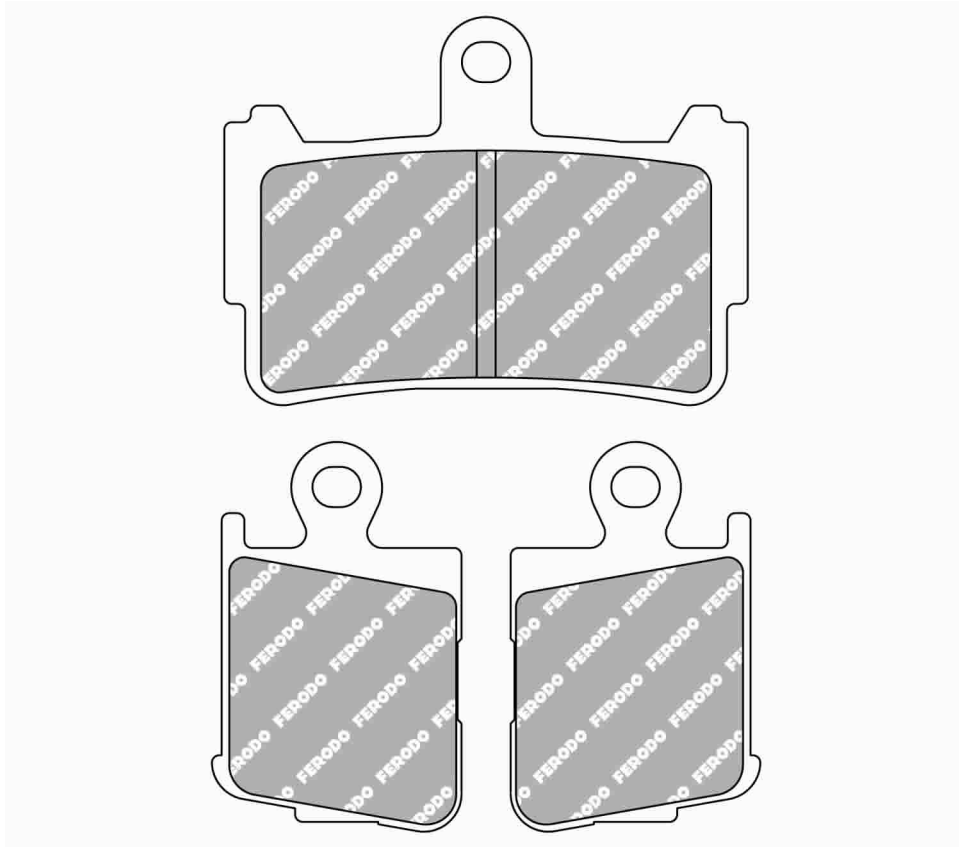


| ALSO AVAILABLE | | |
|----------------|--------|-------|
| SHAPE | TH. MM | NOTES |
| FDB531 | 10.6 | |

| CROSS REFERENCE | |
|-----------------|-------|
| EBC | FA496 |

| MATERIAL AVAILABILITY | | | | | | | |
|-----------------------|-----|----|----|----|-----|-------|------|
| P | PRP | AG | SG | ST | CP1 | CP211 | XRAC |
| | | | | ✓ | | | |

| EQUIVALENT OE # | |
|-----------------|-------------|
| OEM Suzuki | 69101-44850 |



| MATERIAL AVAILABILITY | | | | | | | |
|-----------------------|-----|----|----|----|-----|-------|------|
| P | PRP | AG | SG | ST | CP1 | CP211 | XRAC |
| | | | | ✓ | | | |

| CROSS REFERENCE | |
|-----------------|-----------|
| EBC | FA499/4HH |
| SBS | 869 |

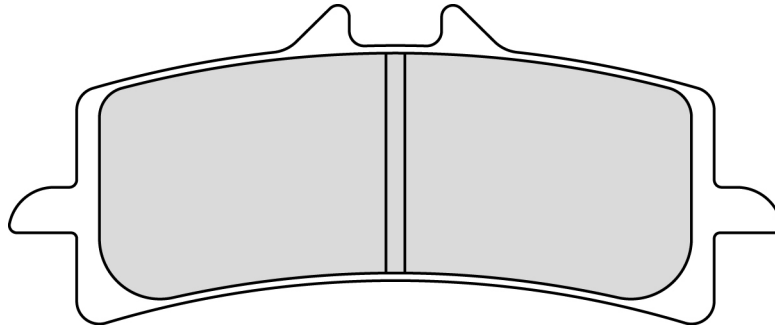
| EQUIVALENT OE # | |
|-----------------|--------------|
| OEm Honda | 6455-MGE-006 |

FDB2260

102.2 x 42.0 x 7.5 mm

APRILIA, BIMOTA, BMW, DUCATI, HONDA, HUSQVARNA, KTM, MOTO GUZZI, MV AGUSTA, SUZUKI, TRIUMPH

FRONT



| ALSO AVAILABLE | | |
|----------------|--------|-------|
| SHAPE | TH. MM | NOTES |
| FDB2218 | 8.6 | |

| CROSS REFERENCE | |
|-----------------|-----|
| SBS | 841 |

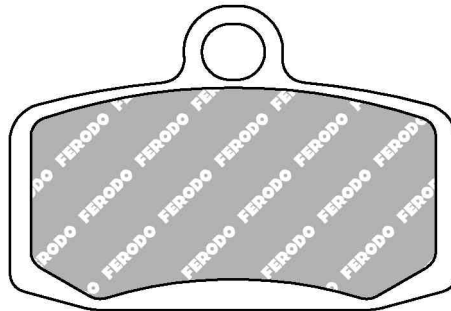
| MATERIAL AVAILABILITY | | | | | | | |
|-----------------------|-----|----|----|----|-----|-------|------|
| P | PRP | AG | SG | ST | CP1 | CP211 | XRAC |
| | | | | ✓ | | | |

FDB2262

59.0 x 40.2 x 7.7 mm

KTM

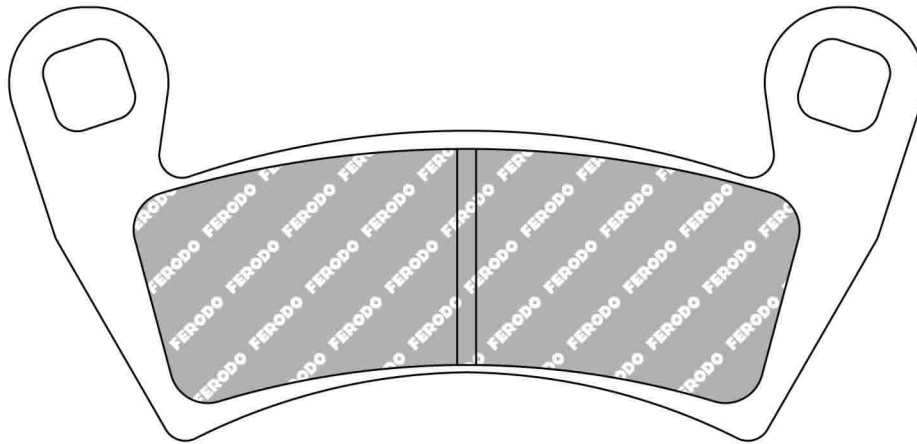
FRONT



| MATERIAL AVAILABILITY | | | | | | | |
|-----------------------|-----|----|----|----|-----|-------|------|
| P | PRP | AG | SG | ST | CP1 | CP211 | XRAC |
| | | | ✓ | | | | |

| CROSS REFERENCE | |
|-----------------|--------|
| BREMBO | 07GR20 |
| DP BRAKE | DP514 |
| EBC | FA612 |
| SBS | 885 |

| EQUIVALENT OE # | |
|-----------------|-------------|
| OEM KTM | 47013030000 |



| MATERIAL AVAILABILITY | | | | | | | |
|-----------------------|-----|----|----|----|-----|-------|------|
| P | PRP | AG | SG | ST | CP1 | CP211 | XRAC |
| | | | ✓ | | | | |

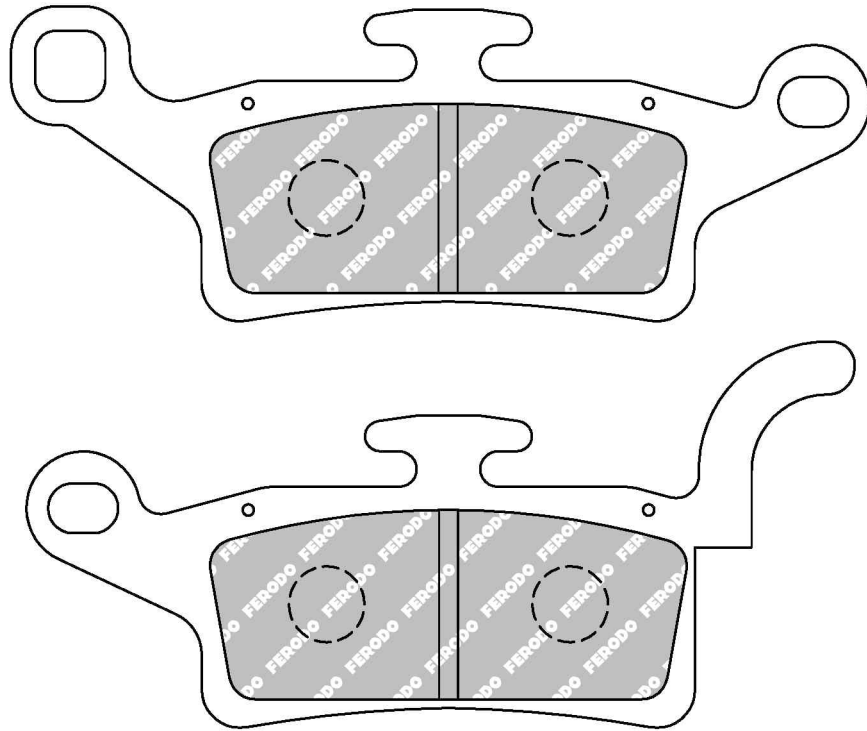
| CROSS REFERENCE | |
|-----------------|-------|
| EBC | FA452 |

FDB2264

113.7 x 41.7 x 8.8 mm / 109.6 x 51.1 x 9.7 mm

MBK, YAMAHA

FRONT



| MATERIAL AVAILABILITY | | | | | | | |
|-----------------------|-----|----|----|----|-----|-------|------|
| P | PRP | AG | SG | ST | CP1 | CP211 | XRAC |
| | | ✓ | | | | | |

| EQUIVALENT OE # | |
|-----------------|--------------|
| OEM Yamaha | 5S9 W004S 00 |
| OEM Yamaha | 52S F5811 00 |

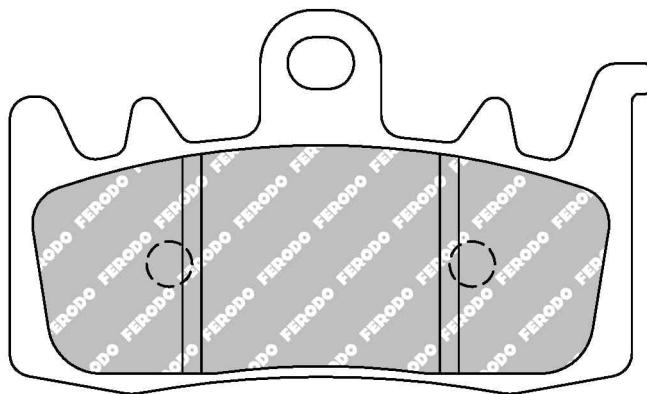
| CROSS REFERENCE | |
|-----------------|--------|
| BRAKING | 961 |
| BREMBO | 07093 |
| EBC | SFA492 |
| SBS | 208 |

FDB2265

85.3 x 51.1 x 8.1 mm

APRILIA, BMW, DUCATI, MV AGUSTA

FRONT



| MATERIAL AVAILABILITY | | | | | | | |
|-----------------------|-----|----|----|----|-----|-------|------|
| P | PRP | AG | SG | ST | CP1 | CP211 | XRAC |
| | | | | ✓ | | | |

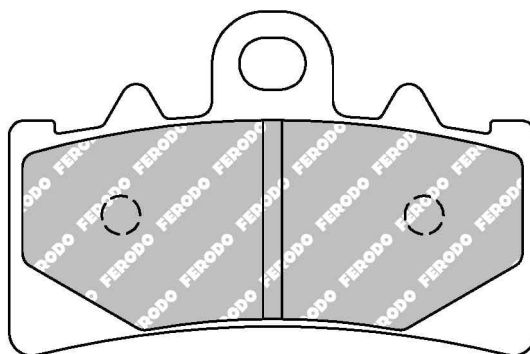
| CROSS REFERENCE | |
|-----------------|-----|
| BRAKING | 960 |

FDB2266

69.9 x 45.5 x 8.9 mm

KTM

FRONT



| MATERIAL AVAILABILITY | | | | | | | |
|-----------------------|-----|----|----|----|-----|-------|------|
| P | PRP | AG | SG | ST | CP1 | CP211 | XRAC |
| | | | | ✓ | | | |

| CROSS REFERENCE | |
|-----------------|--------|
| BREMBO | 07GR18 |
| EBC | FA606 |
| SBS | 877 |

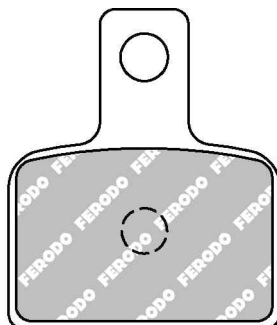
| EQUIVALENT OE # | |
|-----------------|-------------|
| OEM KTM | 90113030000 |

FDB2267

36.0 x 42.3 x 5.8 mm

BETA

REAR



| MATERIAL AVAILABILITY | | | | | | | |
|-----------------------|-----|----|----|----|-----|-------|------|
| P | PRP | AG | SG | ST | CP1 | CP211 | XRAC |
| | | | ✓ | | | | |

| CROSS REFERENCE | |
|-----------------|----------|
| EBC | FA495 |
| NEWFREN | .FD.0496 |

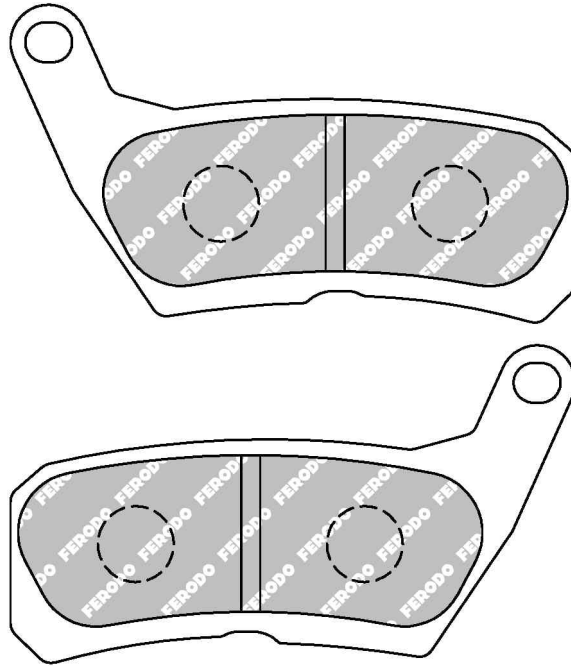
| EQUIVALENT OE # | |
|-----------------|--------------|
| OEM Beta | 007360718000 |

FDB2268

74.6 x 42.0 x 6.5 mm

HONDA

FRONT



| MATERIAL AVAILABILITY | | | | | | | |
|-----------------------|-----|----|----|----|-----|-------|------|
| P | PRP | AG | SG | ST | CP1 | CP211 | XRAC |
| ✓ | | | | | | | |

| CROSS REFERENCE | |
|-----------------|----------|
| NEWFREN | .FD.0494 |

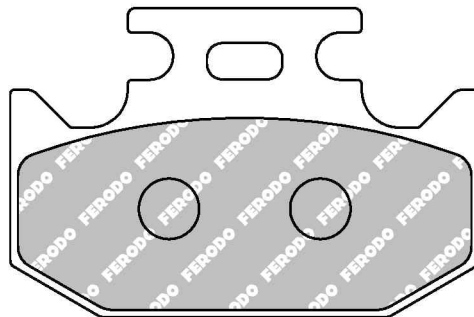
| EQUIVALENT OE # | |
|-----------------|-----------|
| OEM Honda | K00979315 |

FDB2270

62.1 x 40.9 x 7.1 mm

YAMAHA

FRONT



| ALSO AVAILABLE | | |
|----------------|--------|-------|
| SHAPE | TH. MM | NOTES |
| FDB659 | 9.4 | |

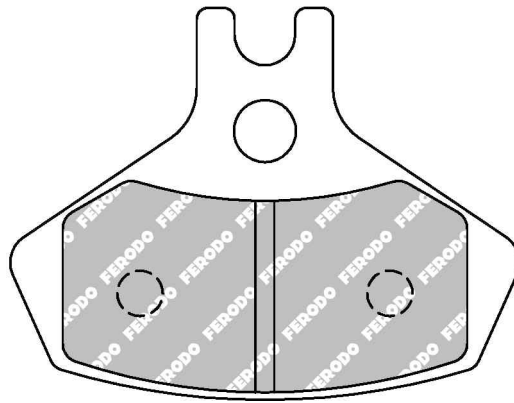
| MATERIAL AVAILABILITY | | | | | | | |
|-----------------------|-----|----|----|----|-----|-------|------|
| P | PRP | AG | SG | ST | CP1 | CP211 | XRAC |
| ✓ | | | | | | | |

FDB2271

67.6 x 52.1 x 7.5 mm

CAN AM ATV

FRONT



| MATERIAL AVAILABILITY | | | | | | | |
|-----------------------|-----|----|----|----|-----|-------|------|
| P | PRP | AG | SG | ST | CP1 | CP211 | XRAC |
| | | | | | | | |

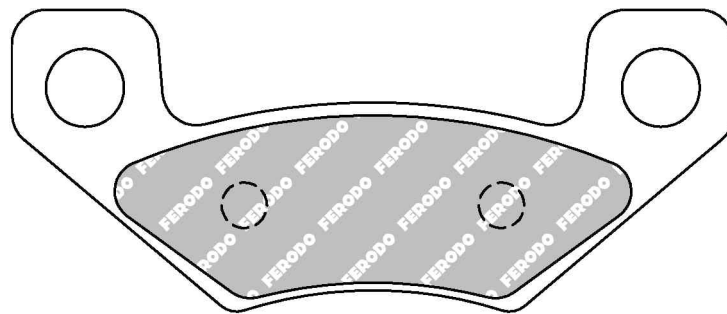
| CROSS REFERENCE | |
|-----------------|-------|
| EBC | FA468 |

FDB2272

95.5 x 40.0 x 6.1 mm

CAN AM ATV, JOHN DEERE ATV

FRONT / REAR



| MATERIAL AVAILABILITY | | | | | | | |
|-----------------------|-----|----|----|----|-----|-------|------|
| P | PRP | AG | SG | ST | CP1 | CP211 | XRAC |
| | | | | | | | |

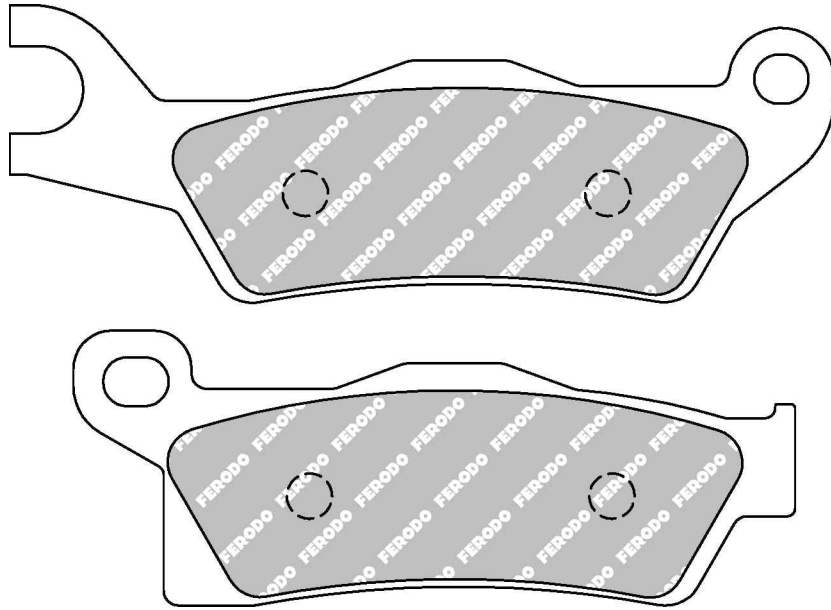
| CROSS REFERENCE | |
|-----------------|-------|
| EBC | FA398 |

FDB2273

109.1 x 39.3 x 7.6 mm / 95.7 x 36.3 x 7.6 mm

CAN AM ATV

FRONT / REAR



| MATERIAL AVAILABILITY | | | | | | | |
|-----------------------|-----|----|----|----|-----|-------|------|
| P | PRP | AG | SG | ST | CP1 | CP211 | XRAC |
| | | | | | | | |

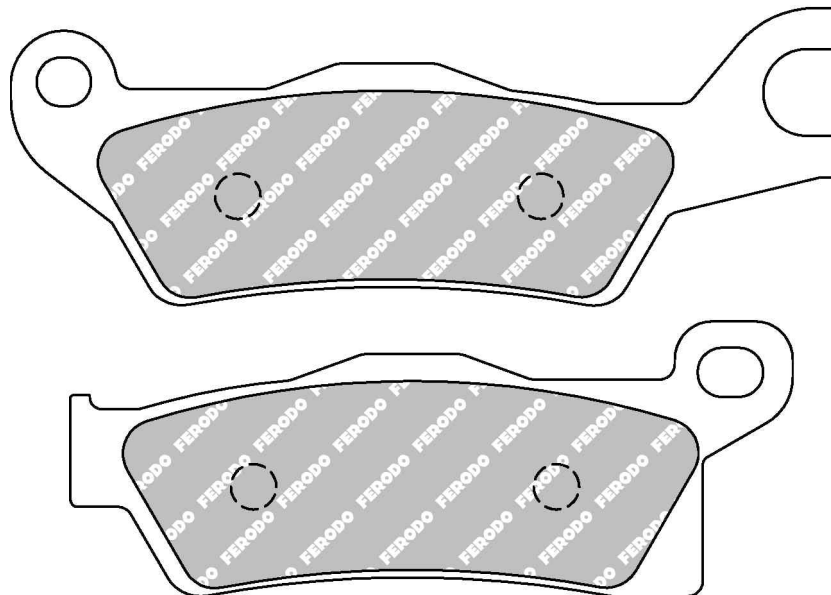
| CROSS REFERENCE | |
|-----------------|-------|
| EBC | FA617 |

FDB2274

109.1 x 39.3 x 7.6 mm / 95.7 x 36.3 x 7.6 mm

CAN AM ATV

FRONT / REAR



| MATERIAL AVAILABILITY | | | | | | | |
|-----------------------|-----|----|----|----|-----|-------|------|
| P | PRP | AG | SG | ST | CP1 | CP211 | XRAC |
| | | | | | | | |

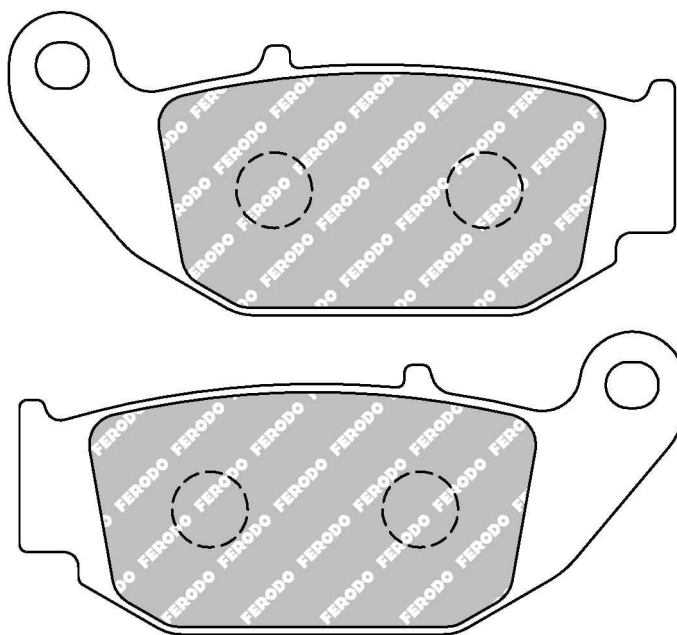
| CROSS REFERENCE | |
|-----------------|-------|
| EBC | FA618 |

FDB2275

88.1 x 40.0 x 10.0 mm

HONDA

REAR



| MATERIAL AVAILABILITY | | | | | | | |
|-----------------------|-----|----|----|----|-----|-------|------|
| P | PRP | AG | SG | ST | CP1 | CP211 | XRAC |
| | | | | | | | |

| CROSS REFERENCE | |
|-----------------|-------|
| EBC | FA629 |

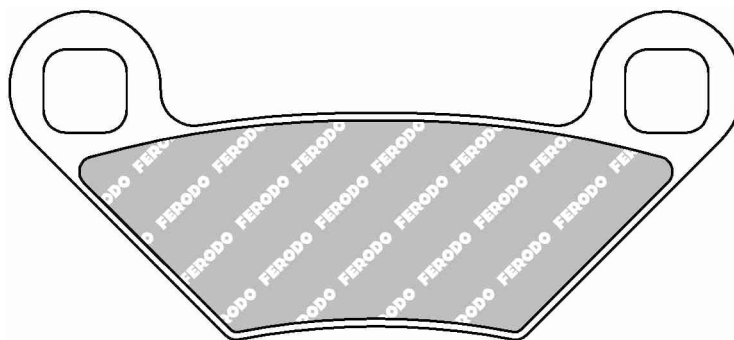
| EQUIVALENT OE # | |
|-----------------|---------------|
| OEM Honda | 06435-KZZ-901 |

FDB2276

96.9 x 43.3 x 6.9 mm

POLARIS ATV

FRONT / REAR



| MATERIAL AVAILABILITY | | | | | | | |
|-----------------------|-----|----|----|----|-----|-------|------|
| P | PRP | AG | SG | ST | CP1 | CP211 | XRAC |
| | | | | | | | |

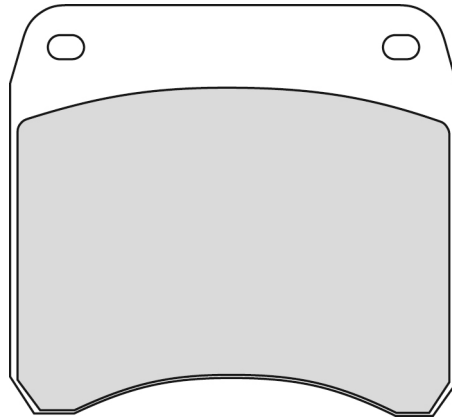
| CROSS REFERENCE | |
|-----------------|-------|
| EBC | FA475 |

FRP213

59.5 x 54.4 x 10.2 mm

TRIUMPH

FRONT



| MATERIAL AVAILABILITY | | | | | | | |
|-----------------------|-----|----|----|----|-----|-------|------|
| P | PRP | AG | SG | ST | CP1 | CP211 | XRAC |
| ✓ | | | | | | | |

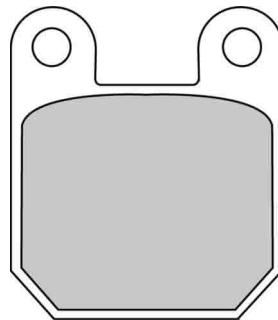
| CROSS REFERENCE | |
|-----------------|--------|
| CL BRAKES | 2959 |
| EBC | FA016 |
| VESRAH | VD 906 |

FRP405

36.1 x 45.1 x 6.0 mm

APRILIA, ATK (USA), BETA, BULTACO, CAGIVA, DERBI, FANTIC, GARELLI, GASGAS, GILERA, HUSQVARNA, ITALJET, KTM, MACAL, MALAGUTI, MONTESA, MONTESA (HONDA), MOTORHISPANIA, PEUGEOT, RIEJU, SIMSON, SUZUKI, YAMAHA

FRONT / REAR



| MATERIAL AVAILABILITY | | | | | | | |
|-----------------------|-----|----|----|----|-----|-------|------|
| P | PRP | AG | SG | ST | CP1 | CP211 | XRAC |
| ✓ | ✓ | ✓ | ✓ | ✓ | | | |

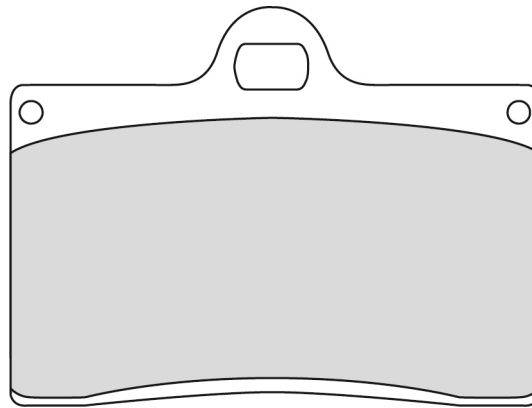
| CROSS REFERENCE | |
|-----------------|----------|
| BREMBO | 07BB1205 |
| CL BRAKES | 2377 |
| CL BRAKES | 3015 |
| CL BRAKES | 3016 |
| EBC | FA115 |
| GALFER | FD 065 |
| LUCAS | MCB535 |
| SBS | 559 |
| VESRAH | VD 254 |
| VESRAH | VD 946 |

FRP408

70.0 x 51.0 x 8.3 mm

APRILIA, ATK (USA), BETA, BIMOTA, CAGIVA, DUCATI, GASGAS, GILERA, HONDA, HUSABERG, HUSQVARNA, ITALJET, KTM, LAVERDA, MOTO GUZZI, MZ, NORTON, TM, YAMAHA

FRONT / REAR

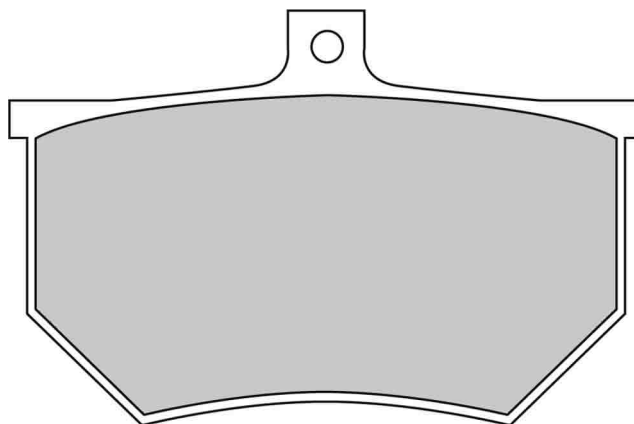


| MATERIAL AVAILABILITY | | | | | | | |
|-----------------------|-----|----|----|----|-----|-------|------|
| P | PRP | AG | SG | ST | CP1 | CP211 | XRAC |
| ✓ | ✓ | | | ✓ | ✓ | | ✓ |

| CROSS REFERENCE | |
|-----------------|----------|
| BREMBO | 07BB1507 |
| CL BRAKES | 2247 |
| EBC | FA095 |
| GALFER | FD 068 |
| LUCAS | MCB540 |
| SBS | 566 |
| VESRAH | VD 945 |

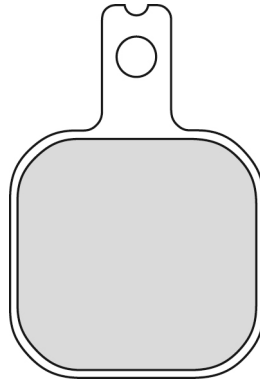
FRP410

84.0 x 54.0 x 8.0 mm



| MATERIAL AVAILABILITY | | | | | | | |
|-----------------------|-----|----|----|----|-----|-------|------|
| P | PRP | AG | SG | ST | CP1 | CP211 | XRAC |
| ✓ | | | | | | | |

| CROSS REFERENCE | |
|-----------------|--------|
| EBC | FA107A |
| SBS | 661 |

FRP415**33.6 x 49.7 x 7.0 mm**

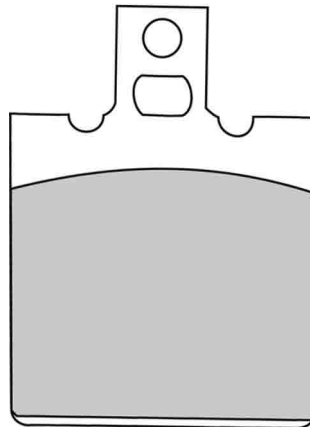
| MATERIAL AVAILABILITY | | | | | | | |
|-----------------------|-----|----|----|----|-----|-------|------|
| P | PRP | AG | SG | ST | CP1 | CP211 | XRAC |
| ✓ | | | | | | | |

| CROSS REFERENCE | |
|-----------------|--------|
| EBC | FA175 |
| GALFER | FD 160 |

FRP416**40.0 x 55.0 x 9.3 mm**

HONDA, HONDA-HM ITALIA, RIEJU

FRONT / REAR



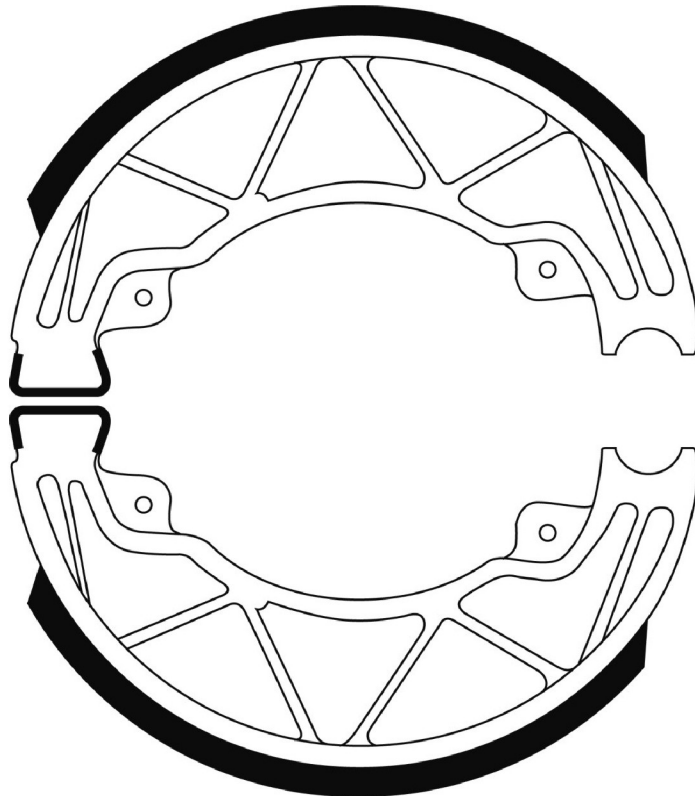
| MATERIAL AVAILABILITY | | | | | | | |
|-----------------------|-----|----|----|----|-----|-------|------|
| P | PRP | AG | SG | ST | CP1 | CP211 | XRAC |
| ✓ | | | | | | | |

| CROSS REFERENCE | |
|-----------------|-----------|
| BREMBO | 107268641 |
| EBC | FA047/3 |
| GALFER | FD 190 |
| SBS | 646 |
| VESRAH | VD 911/2 |



FERODO™

MOTORCYCLE PADS



Shoes

FERODO®

MOTORCYCLE PADS

FSB700**200.0 x 30.0 mm**

BMW

REAR

| CROSS REFERENCE | |
|-----------------|----------|
| EBC | 860 |
| LUCAS | MCS940 |
| NEWFREN | .GF.1211 |
| SBS | SBS2139 |

| EQUIVALENT OE # | |
|-----------------|-----------------|
| OEM BMW | 34 21 2 311 080 |

DRAWINGS ARE AVAILABLE IN OUR ELECTRONIC CATALOGUE

FSB701**200.0 x 25.0 mm**

BMW

REAR

| CROSS REFERENCE | |
|-----------------|----------|
| EBC | 861 |
| LUCAS | MCS941 |
| NEWFREN | .GF.1218 |
| SBS | SBS2140 |

| EQUIVALENT OE # | |
|-----------------|-----------------|
| OEM BMW | 34 21 2 310 523 |

DRAWINGS ARE AVAILABLE IN OUR ELECTRONIC CATALOGUE

FSB702**80.0 x 18.0 mm**

HONDA, PEUGEOT, SUZUKI

FRONT / REAR

| CROSS REFERENCE | |
|-----------------|----------|
| EBC | 301 |
| LUCAS | MCS827 |
| NEWFREN | .GF.1093 |
| SBS | SBS2010 |
| VESRAH | VB134 |

| EQUIVALENT OE # | |
|-----------------|---------------|
| OEM Honda | 06430 GZ9 003 |
| OEM Honda | 06430-131-405 |

DRAWINGS ARE AVAILABLE IN OUR ELECTRONIC CATALOGUE

FSB703**95.0 x 20.0 mm**

HERCULES (SACHS), HONDA, PEUGEOT, PGO, SYM

FRONT / REAR

| CROSS REFERENCE | |
|-----------------|----------|
| EBC | 302 |
| LUCAS | MCS813 |
| NEWFREN | .GF.1198 |
| SBS | SBS2011 |
| VESRAH | VB141 |

| EQUIVALENT OE # | |
|-----------------|---------------|
| OEM Honda | 06430 GE8 405 |

DRAWINGS ARE AVAILABLE IN OUR ELECTRONIC CATALOGUE

FSB704

110.0 x 25.0 mm

CAGIVA, E-TON ATV, HERCULES (SACHS), HONDA, HONDA 3 WHEELERS, HONDA ATV, HONDA-HM ITALIA, KYMCO, KYMCO ATV, PEUGEOT, PGO, SINNIS, SYM, YAMAHA

FRONT / REAR

| CROSS REFERENCE | |
|-----------------|----------|
| EBC | 303 |
| LUCAS | MCS800 |
| NEWFREN | .GF.1043 |
| SBS | SBS2012 |
| VESRAH | VB101 |
| VESRAH | VB110 |

| EQUIVALENT OE # | |
|-----------------|----------------|
| OEM Honda | 45351 GBM 750 |
| OEM Honda | 06430 GW3 980 |
| OEM Honda | 06450-178-932 |
| OEM Honda | 06450 GAG 003 |
| OEM Kymco | 45120 KCP9 000 |
| OEM Kymco | 4312A E22 000 |
| OEM Kymco | 43120 KUDU 900 |
| OEM Kymco | 4512A LCB4 910 |
| OEM Sym | 4312A E22 900 |
| OEM Sym | 4312A E60 000 |
| OEM Sym | 4312A E60 900 |
| OEM Sym | 4312A Y01 E00 |

DRAWINGS ARE AVAILABLE IN OUR ELECTRONIC CATALOGUE

FSB705

110.0 x 25.0 mm

HONDA

FRONT / REAR

| CROSS REFERENCE | |
|-----------------|----------|
| EBC | 304 |
| LUCAS | MCS804 |
| NEWFREN | .GF.1178 |
| SBS | SBS2013 |
| VESRAH | VB126 |

| EQUIVALENT OE # | |
|-----------------|---------------|
| OEM Honda | 45120 KB9 005 |
| OEM Honda | 45120 KB9 015 |

DRAWINGS ARE AVAILABLE IN OUR ELECTRONIC CATALOGUE

FSB706

130.0 x 30.0 mm

HONDA, HONDA 3 WHEELERS, SYM

REAR

| CROSS REFERENCE | |
|-----------------|----------|
| EBC | 310 |
| LUCAS | MCS817 |
| NEWFREN | .GF.1194 |
| SBS | SBS2069 |
| VESRAH | VB130 |

| EQUIVALENT OE # | |
|-----------------|---------------|
| OEM Honda | 06430 KBG 701 |
| OEM Honda | 06430 KBG 700 |

DRAWINGS ARE AVAILABLE IN OUR ELECTRONIC CATALOGUE

FSB707

140.0 x 25.0 mm

HONDA

FRONT / REAR

| CROSS REFERENCE | |
|-----------------|----------|
| EBC | 312 |
| LUCAS | MCS803 |
| NEWFREN | .GF.1175 |
| SBS | SBS2023 |
| VESRAH | VB125 |

| EQUIVALENT OE # | |
|-----------------|---------------|
| OEM Honda | 06450 KC2 680 |

DRAWINGS ARE AVAILABLE IN OUR ELECTRONIC CATALOGUE

FSB708

140.0 x 40.0 mm

HONDA

REAR

| CROSS REFERENCE | |
|-----------------|----------|
| EBC | 313 |
| LUCAS | MCS807 |
| NEWFREN | .GF.1192 |
| SBS | SBS2058 |
| VESRAH | VB132 |

| EQUIVALENT OE # | |
|-----------------|---------------|
| OEM Honda | 43120 ML4 711 |

DRAWINGS ARE AVAILABLE IN OUR ELECTRONIC CATALOGUE

FSB709

130.0 x 30.0 mm

HONDA

REAR

| CROSS REFERENCE | |
|-----------------|----------|
| EBC | 318 |
| LUCAS | MCS805 |
| NEWFREN | .GF.1171 |
| SBS | SBS2026 |
| VESRAH | VB136 |

| EQUIVALENT OE # | |
|-----------------|---------------|
| OEM Honda | 43120 MM9 780 |
| OEM Honda | 06430 GBJ 740 |
| OEM Honda | 43120 MM9 781 |

DRAWINGS ARE AVAILABLE IN OUR ELECTRONIC CATALOGUE

FSB710

180.0 x 38.0 mm

HONDA

REAR

| CROSS REFERENCE | |
|-----------------|----------|
| EBC | 320 |
| LUCAS | MCS808 |
| LUCAS | MCS892 |
| NEWFREN | .GF.1109 |
| SBS | SBS2027 |
| VESRAH | VB129 |

| EQUIVALENT OE # | |
|-----------------|---------------|
| OEM Honda | 43120 393 305 |

DRAWINGS ARE AVAILABLE IN OUR ELECTRONIC CATALOGUE

FSB711

160.0 x 40.0 mm

HONDA, KYMCO

REAR

| CROSS REFERENCE | |
|-----------------|----------|
| EBC | 321 |
| LUCAS | MCS806 |
| NEWFREN | .GF.1214 |
| SBS | SBS2059 |
| VESRAH | VB133 |

| EQUIVALENT OE # | |
|-----------------|---------------|
| OEM Honda | 06430 MW3 671 |
| OEM Honda | 43120 MW3 671 |
| OEM Honda | 43120 MR1 611 |

DRAWINGS ARE AVAILABLE IN OUR ELECTRONIC CATALOGUE

FSB712

80.0 x 18.0 mm

HONDA, KTM, MOTOBECANE, PEUGEOT, PUCH

FRONT / REAR

| CROSS REFERENCE | |
|-----------------|----------|
| EBC | 322 |
| LUCAS | MCS828 |
| NEWFREN | .GF.1143 |
| SBS | SBS2074 |

| EQUIVALENT OE # | |
|-----------------|---------------|
| OEM Honda | 45120 GE8 505 |
| OEM Honda | 43120-GZ9-003 |

DRAWINGS ARE AVAILABLE IN OUR ELECTRONIC CATALOGUE

FSB713

130.0 x 25.0 mm

BOMBARDIER ATV, CAN AM ATV, E-TON ATV, HONDA, HONDA ATV

FRONT / REAR

| CROSS REFERENCE | |
|-----------------|----------|
| EBC | 330 |
| LUCAS | MCS819 |
| NEWFREN | .GF.1184 |
| SBS | SBS2041 |
| VESRAH | VB142 |
| VESRAH | VB159 |

| EQUIVALENT OE # | |
|-----------------|---------------|
| OEM Honda | 06450 KS4 601 |
| OEM Honda | 43120 KS6 305 |

DRAWINGS ARE AVAILABLE IN OUR ELECTRONIC CATALOGUE

FSB714

95.0 x 20.0 mm

BS VILLA, HONDA, HSC, KYMCO

FRONT / REAR

| CROSS REFERENCE | |
|-----------------|----------|
| EBC | 333 |
| LUCAS | MCS825 |
| NEWFREN | .GF.1248 |
| SBS | SBS2057 |
| VESRAH | VB150 |

| EQUIVALENT OE # | |
|-----------------|---------------|
| OEM Honda | 06430 GCW 000 |
| OEM Honda | 43120 GC4 832 |
| OEM Honda | 43120-GW6-306 |
| OEM Honda | 06430 GET 000 |
| OEM Honda | 43120 GC4 832 |
| OEM Honda | 06430 GC4 831 |
| OEM Honda | 06430-HB2-405 |

DRAWINGS ARE AVAILABLE IN OUR ELECTRONIC CATALOGUE

FSB715

110.0 x 25.0 mm

HONDA

FRONT / REAR

| CROSS REFERENCE | |
|-----------------|----------|
| EBC | 336 |
| LUCAS | MCS820 |
| NEWFREN | .GF.1229 |
| SBS | SBS2080 |

| EQUIVALENT OE # | |
|-----------------|---------------|
| OEM Honda | 06455 GAG 003 |
| OEM Honda | 06430 GJ3 932 |

DRAWINGS ARE AVAILABLE IN OUR ELECTRONIC CATALOGUE

FSB716

110.0 x 30.0 mm

KAWASAKI

REAR

| CROSS REFERENCE | |
|-----------------|----------|
| EBC | 702 |
| NEWFREN | .GF.1235 |

| EQUIVALENT OE # | |
|-----------------|------------|
| OEM Kawasaki | 42019 013 |
| OEM Kawasaki | 41048 1097 |

DRAWINGS ARE AVAILABLE IN OUR ELECTRONIC CATALOGUE

FSB717

120.0 x 35.0 mm

KAWASAKI

FRONT / REAR

| CROSS REFERENCE | |
|-----------------|----------|
| EBC | 703 |
| LUCAS | MCS861 |
| NEWFREN | .GF.1236 |
| SBS | SBS2025 |
| SBS | SBS2056 |
| VESRAH | VB416 |

| EQUIVALENT OE # | |
|-----------------|------------|
| OEM Kawasaki | 41048 1084 |

DRAWINGS ARE AVAILABLE IN OUR ELECTRONIC CATALOGUE

FSB718**160.0 x 30.0 mm**

KAWASAKI, KAWASAKI ATV

REAR

| CROSS REFERENCE | |
|-----------------|----------|
| EBC | 706 |
| LUCAS | MCS853 |
| NEWFREN | .GF.1238 |
| SBS | SBS2038 |
| VESRAH | VB413 |

| EQUIVALENT OE # | |
|-----------------|------------|
| OEM Kawasaki | 41048 1142 |

DRAWINGS ARE AVAILABLE IN OUR ELECTRONIC CATALOGUE

FSB719**180.0 x 40.0 mm**

KAWASAKI

REAR

| CROSS REFERENCE | |
|-----------------|----------|
| EBC | 709 |
| LUCAS | MCS852 |
| NEWFREN | .GF.1240 |
| SBS | SBS2060 |
| VESRAH | VB412 |

| EQUIVALENT OE # | |
|-----------------|------------|
| OEM Kawasaki | 41048 1070 |

DRAWINGS ARE AVAILABLE IN OUR ELECTRONIC CATALOGUE

FSB720**100.0 x 25.0 mm**

SUZUKI

FRONT / REAR

| CROSS REFERENCE | |
|-----------------|----------|
| EBC | 601 |
| NEWFREN | .GF.1220 |
| SBS | SBS2094 |
| VESRAH | VB322 |

| EQUIVALENT OE # | |
|-----------------|-------------|
| OEM Suzuki | 54410 02410 |

DRAWINGS ARE AVAILABLE IN OUR ELECTRONIC CATALOGUE

FSB721**130.0 x 28.0 mm**

CFMOTO, HYOSUNG, KAWASAKI, KAWASAKI 3 WHEELERS, KAWASAKI ATV, PGO, SINNIS, SUZUKI

FRONT / REAR

| CROSS REFERENCE | |
|-----------------|----------|
| EBC | 602 |
| LUCAS | MCS855 |
| NEWFREN | .GF.1147 |
| SBS | SBS2014 |
| SBS | SBS2183 |
| VESRAH | VB302 |
| VESRAH | VB409 |
| VESRAH | VB410 |

| EQUIVALENT OE # | |
|-----------------|-------------|
| OEM Kawasaki | 41048 1076 |
| OEM Suzuki | 54402 07810 |
| OEM Suzuki | 54401 07820 |

DRAWINGS ARE AVAILABLE IN OUR ELECTRONIC CATALOGUE

FSB722

110.0 x 30.0 mm

HYOSUNG, KAWASAKI, KAWASAKI 3 WHEELERS, KAWASAKI ATV, MODENAS, SUZUKI

FRONT / REAR

| CROSS REFERENCE | |
|-----------------|----------|
| EBC | 603 |
| LUCAS | MCS854 |
| NEWFREN | .GF.1146 |
| SBS | SBS2015 |
| VESRAH | VB312 |
| VESRAH | VB406 |

| EQUIVALENT OE # | |
|-----------------|-------------|
| OEM Kawasaki | 41048 1141 |
| OEM Suzuki | 54402 35820 |

DRAWINGS ARE AVAILABLE IN OUR ELECTRONIC CATALOGUE

FSB723

110.0 x 25.0 mm

KAWASAKI, KAWASAKI ATV, SUZUKI, SUZUKI ATV

FRONT / REAR

| CROSS REFERENCE | |
|-----------------|----------|
| EBC | 604 |
| LUCAS | MCS901 |
| NEWFREN | .GF.1196 |
| SBS | SBS2017 |
| VESRAH | VB310 |

| EQUIVALENT OE # | |
|-----------------|-------------|
| OEM Suzuki | 54401 43810 |

DRAWINGS ARE AVAILABLE IN OUR ELECTRONIC CATALOGUE

FSB724

150.0 x 28.0 mm

KAWASAKI, SUZUKI, SUZUKI 3 WHEELERS, SUZUKI ATV

FRONT / REAR

| CROSS REFERENCE | |
|-----------------|----------|
| EBC | 605 |
| LUCAS | MCS902 |
| NEWFREN | .GF.1186 |
| SBS | SBS2016 |
| VESRAH | VB309 |
| VESRAH | VB407 |

| EQUIVALENT OE # | |
|-----------------|------------|
| OEM Kawasaki | 42019 011 |
| OEM Kawasaki | 41048 1107 |

DRAWINGS ARE AVAILABLE IN OUR ELECTRONIC CATALOGUE

FSB725

160.0 x 30.0 mm

SUZUKI, SUZUKI ATV

REAR

| CROSS REFERENCE | |
|-----------------|----------|
| EBC | 606 |
| LUCAS | MCS907 |
| LUCAS | MCS919 |
| NEWFREN | .GF.1195 |
| SBS | SBS2018 |
| SBS | SBS2111 |
| VESRAH | VB308 |

| EQUIVALENT OE # | |
|-----------------|-------------|
| OEM Suzuki | 64400 44810 |
| OEM Suzuki | 64410 44B00 |

DRAWINGS ARE AVAILABLE IN OUR ELECTRONIC CATALOGUE

FSB726

90.0 x 20.0 mm

SUZUKI, SUZUKI 3 WHEELERS, SUZUKI ATV

FRONT / REAR

| CROSS REFERENCE | |
|-----------------|----------|
| EBC | 613 |
| NEWFREN | .GF.1225 |
| SBS | SBS2020 |
| VESRAH | VB313 |

DRAWINGS ARE AVAILABLE IN OUR ELECTRONIC CATALOGUE

FSB727

80.0 x 20.0 mm

E-TON ATV, KAWASAKI ATV, SUZUKI, SUZUKI ATV

FRONT / REAR

| CROSS REFERENCE | |
|-----------------|----------|
| EBC | 614 |
| NEWFREN | .GF.1226 |
| SBS | SBS2101 |
| VESRAH | VB314 |
| VESRAH | VB323 |

| EQUIVALENT OE # | |
|-----------------|-------------|
| OEM Suzuki | 54400 02820 |

DRAWINGS ARE AVAILABLE IN OUR ELECTRONIC CATALOGUE

FSB728

120.0 x 28.0 mm

SUZUKI

FRONT / REAR

| CROSS REFERENCE | |
|-----------------|----------|
| EBC | 617 |
| LUCAS | MCS856 |
| NEWFREN | .GF.1216 |
| SBS | SBS2103 |
| VESRAH | VB311 |

DRAWINGS ARE AVAILABLE IN OUR ELECTRONIC CATALOGUE

FSB729

120.0 x 30.0 mm

SUZUKI

FRONT / REAR

| CROSS REFERENCE | |
|-----------------|----------|
| EBC | 627 |
| LUCAS | MCS918 |
| NEWFREN | .GF.1228 |

DRAWINGS ARE AVAILABLE IN OUR ELECTRONIC CATALOGUE

FSB730

80.0 x 17.0 mm

MBK, YAMAHA

FRONT / REAR

| CROSS REFERENCE | |
|-----------------|----------|
| EBC | 501 |
| LUCAS | MCS960 |
| NEWFREN | .GF.1193 |
| SBS | SBS2112 |
| VESRAH | VB224 |

| EQUIVALENT OE # | |
|-----------------|--------------|
| OEM Yamaha | 3PT W2535 00 |
| OEM Yamaha | 3PT W253A 10 |
| OEM Yamaha | 3PT W2535 10 |

DRAWINGS ARE AVAILABLE IN OUR ELECTRONIC CATALOGUE

FSB731

110.0 x 25.0 mm

ADLY, BENELLI, BRANDY-BRAS, CPI, FANTIC, ITALJET, KEEWAY, KOTIR, KSR MOTO BY GENERIC, LEM, MBK, PEUGEOT, PGO, POLARIS ATV, RAPIDO, YAMAHA, YAMAHA 3 WHEELERS, YAMAHA ATV

FRONT / REAR

| CROSS REFERENCE | |
|-----------------|----------|
| EBC | 503 |
| LUCAS | MCS962 |
| NEWFREN | .GF.1200 |
| SBS | SBS2028 |
| VESRAH | VB229 |

| EQUIVALENT OE # | |
|-----------------|--------------|
| OEM Yamaha | 4BE W2536 00 |
| OEM Yamaha | 4TA W253E 01 |
| OEM Yamaha | 4KN W253E 11 |
| OEM Yamaha | 4BE W253E 00 |
| OEM Yamaha | 4TA W253E 00 |
| OEM Yamaha | 4KN W2536 11 |

DRAWINGS ARE AVAILABLE IN OUR ELECTRONIC CATALOGUE

FSB732

110.0 x 25.0 mm

CPI, GARELLI, HONDA, YAMAHA

FRONT / REAR

| CROSS REFERENCE | |
|-----------------|----------|
| EBC | 504 |
| LUCAS | MCS951 |
| NEWFREN | .GF.1188 |
| SBS | SBS2032 |
| VESRAH | VB212 |

| EQUIVALENT OE # | |
|-----------------|--------------|
| OEM Yamaha | 25G W2536 01 |

DRAWINGS ARE AVAILABLE IN OUR ELECTRONIC CATALOGUE

FSB733

130.0 x 28.0 mm

APRILIA, KEEWAY, MBK, SACHS, SINNIS, YAMAHA, YAMAHA ATV

FRONT / REAR

| CROSS REFERENCE | |
|-----------------|----------|
| EBC | 506 |
| LUCAS | MCS953 |
| NEWFREN | .GF.1105 |
| SBS | SBS2034 |
| VESRAH | VB223 |
| VESRAH | VB235 |

| EQUIVALENT OE # | |
|-----------------|--------------|
| OEM Yamaha | 25G 25130 00 |
| OEM Yamaha | 3D9 W2533 00 |
| OEM Yamaha | 3LS W2536 00 |
| OEM Yamaha | 3FA W253A 00 |
| OEM Yamaha | 25G 25330 00 |

DRAWINGS ARE AVAILABLE IN OUR ELECTRONIC CATALOGUE

FSB734

150.0 x 25.0 mm

YAMAHA

FRONT / REAR

| CROSS REFERENCE | |
|-----------------|----------|
| EBC | 510 |
| LUCAS | MCS955 |
| NEWFREN | .GF.1167 |
| SBS | SBS2037 |
| VESRAH | VB208 |
| VESRAH | VB210 |
| VESRAH | VB228 |

| EQUIVALENT OE # | |
|-----------------|--------------|
| OEM Yamaha | 3GW W253A 00 |

DRAWINGS ARE AVAILABLE IN OUR ELECTRONIC CATALOGUE

FSB735**180.0 x 30.0 mm**

YAMAHA

REAR

| CROSS REFERENCE | |
|-----------------|----------|
| EBC | 514 |
| NEWFREN | .GF.1190 |
| SBS | SBS2064 |
| VESRAH | VB225 |

| EQUIVALENT OE # | |
|-----------------|--------------|
| OEM Yamaha | 5R3 W253E 00 |

DRAWINGS ARE AVAILABLE IN OUR ELECTRONIC CATALOGUE

FSB736**160.0 x 30.0 mm**

SINNIS, YAMAHA, YAMAHA ATV

REAR

| CROSS REFERENCE | |
|-----------------|----------|
| EBC | 516 |
| LUCAS | MCS958 |
| NEWFREN | .GF.1197 |
| SBS | SBS2066 |
| VESRAH | VB231 |

| EQUIVALENT OE # | |
|-----------------|--------------|
| OEM Yamaha | 4HC W2536 00 |
| OEM Yamaha | 5VH WF536 00 |

DRAWINGS ARE AVAILABLE IN OUR ELECTRONIC CATALOGUE

FSB737**130.0 x 22.0 mm**

YAMAHA

FRONT / REAR

| CROSS REFERENCE | |
|-----------------|----------|
| EBC | 517 |
| LUCAS | MCS964 |
| NEWFREN | .GF.1163 |
| SBS | SBS2049 |
| VESRAH | VB233 |

DRAWINGS ARE AVAILABLE IN OUR ELECTRONIC CATALOGUE

FSB738**110.0 x 25.0 mm**

MBK, YAMAHA, YAMAHA 3 WHEELERS, YAMAHA ATV

FRONT / REAR

| CROSS REFERENCE | |
|-----------------|----------|
| EBC | 518 |
| LUCAS | MCS956 |
| NEWFREN | .GF.1187 |
| SBS | SBS2050 |

| EQUIVALENT OE # | |
|-----------------|--------------|
| OEM Yamaha | 4BX W2534 00 |

DRAWINGS ARE AVAILABLE IN OUR ELECTRONIC CATALOGUE

FSB739**95.0 x 20.0 mm**

MBK, YAMAHA

FRONT / REAR

| CROSS REFERENCE | |
|-----------------|----------|
| EBC | 519 |
| LUCAS | MCS963 |
| NEWFREN | .GF.1217 |
| SBS | SBS2021 |

| EQUIVALENT OE # | |
|-----------------|--------------|
| OEM Yamaha | 4JP W2535 00 |

DRAWINGS ARE AVAILABLE IN OUR ELECTRONIC CATALOGUE

FSB740

110.0 x 30.0 mm

HONDA

REAR

| CROSS REFERENCE | |
|-----------------|----------|
| EBC | 323 |
| LUCAS | MCS812 |
| NEWFREN | .GF.1177 |
| SBS | SBS2029 |
| VESRAH | VB140 |

| EQUIVALENT OE # | |
|-----------------|---------------|
| OEM Honda | 06430 428 003 |
| OEM Honda | 06430-KBR-003 |
| OEM Honda | 43120 428 013 |
| OEM Honda | 43120-428-405 |

DRAWINGS ARE AVAILABLE IN OUR ELECTRONIC CATALOGUE

FSB741

180.0 x 30.0 mm

HONDA

REAR

| CROSS REFERENCE | |
|-----------------|----------|
| EBC | 316 |
| LUCAS | MCS809 |
| LUCAS | MCS850 |
| NEWFREN | .GF.1130 |
| SBS | SBS2072 |
| VESRAH | VB128 |

| EQUIVALENT OE # | |
|-----------------|---------------|
| OEM Honda | 43120 458 305 |

DRAWINGS ARE AVAILABLE IN OUR ELECTRONIC CATALOGUE

FSB742

160.0 x 30.0 mm

HONDA, HONDA 3 WHEELERS, HONDA ATV

REAR

| CROSS REFERENCE | |
|-----------------|----------|
| EBC | 315 |
| LUCAS | MCS802 |
| NEWFREN | .GF.1150 |
| SBS | SBS2024 |
| VESRAH | VB127 |

| EQUIVALENT OE # | |
|-----------------|---------------|
| OEM Honda | 45120 369 305 |

DRAWINGS ARE AVAILABLE IN OUR ELECTRONIC CATALOGUE

FSB743

160.0 x 25.0 mm

HONDA

FRONT / REAR

| CROSS REFERENCE | |
|-----------------|----------|
| EBC | 325 |
| NEWFREN | .GF.1169 |
| SBS | SBS2070 |
| SBS | SBS2075 |
| VESRAH | VB138 |

| EQUIVALENT OE # | |
|-----------------|---------------|
| OEM Honda | 43120 430 305 |

DRAWINGS ARE AVAILABLE IN OUR ELECTRONIC CATALOGUE

FSB744

130.0 x 30.0 mm

HONDA

FRONT

| CROSS REFERENCE | |
|-----------------|----------|
| EBC | 327 |
| LUCAS | MCS816 |
| NEWFREN | .GF.1172 |
| VESRAH | VB149 |

| EQUIVALENT OE # | |
|-----------------|---------------|
| OEM Honda | 06450 MC4 415 |

DRAWINGS ARE AVAILABLE IN OUR ELECTRONIC CATALOGUE

FSB745

130.0 x 30.0 mm

HONDA

FRONT / REAR

| CROSS REFERENCE | |
|-----------------|----------|
| EBC | 328 |
| NEWFREN | .GF.1173 |
| VESRAH | VB144 |

DRAWINGS ARE AVAILABLE IN OUR ELECTRONIC CATALOGUE

FSB746

130.0 x 22.0 mm

HONDA

FRONT / REAR

| CROSS REFERENCE | |
|-----------------|----------|
| EBC | 331 |
| NEWFREN | .GF.1174 |
| SBS | SBS2042 |
| VESRAH | VB143 |
| VESRAH | VB154 |

| EQUIVALENT OE # | |
|-----------------|---------------|
| OEM Honda | 45120 KA4 305 |

DRAWINGS ARE AVAILABLE IN OUR ELECTRONIC CATALOGUE

FSB747

140.0 x 25.0 mm

HONDA

FRONT

| CROSS REFERENCE | |
|-----------------|----------|
| EBC | 324 |
| NEWFREN | .GF.1215 |
| SBS | SBS2031 |
| VESRAH | VB137 |

DRAWINGS ARE AVAILABLE IN OUR ELECTRONIC CATALOGUE

FSB748

130.0 x 25.0 mm

HONDA

REAR

| CROSS REFERENCE | |
|-----------------|----------|
| EBC | 341 |
| NEWFREN | .GF.1252 |
| SBS | SBS2082 |
| VESRAH | VB151 |

| EQUIVALENT OE # | |
|-----------------|--------------|
| OEM Honda | 43120 KM1305 |

DRAWINGS ARE AVAILABLE IN OUR ELECTRONIC CATALOGUE

FSB749

140.0 x 30.0 mm

HONDA

REAR

| CROSS REFERENCE | |
|-----------------|----------|
| EBC | 309 |
| LUCAS | MCS811 |
| NEWFREN | .GF.1170 |
| VESRAH | VB139 |

| EQUIVALENT OE # | |
|-----------------|---------------|
| OEM Honda | 06430 354 405 |

DRAWINGS ARE AVAILABLE IN OUR ELECTRONIC CATALOGUE

FSB750

150.0 x 25.0 mm

HONDA

REAR

| CROSS REFERENCE | |
|-----------------|----------|
| EBC | 319 |
| NEWFREN | .GF.1213 |

DRAWINGS ARE AVAILABLE IN OUR ELECTRONIC CATALOGUE

FSB751

130.0 x 25.0 mm

HONDA

FRONT

| CROSS REFERENCE | |
|-----------------|----------|
| EBC | 332 |
| LUCAS | MCS815 |
| NEWFREN | .GF.1179 |
| SBS | SBS2030 |
| SBS | SBS2077 |
| VESRAH | VB148 |

| EQUIVALENT OE # | |
|-----------------|---------------|
| OEM Honda | 06450 MC4 415 |

DRAWINGS ARE AVAILABLE IN OUR ELECTRONIC CATALOGUE

FSB752

95.0 x 20.0 mm

HONDA

REAR

| CROSS REFERENCE | |
|-----------------|----------|
| EBC | 337 |
| NEWFREN | .GF.1223 |

DRAWINGS ARE AVAILABLE IN OUR ELECTRONIC CATALOGUE

FSB753

87.0 x 20.0 mm

ARCTIC CAT ATV, BOMBARDIER ATV, CAN AM ATV, HONDA ATV, KYMCO ATV,
POLARIS ATV, QUADZILLA

FRONT

| CROSS REFERENCE | |
|-----------------|----------|
| EBC | 346 |
| NEWFREN | .GF.1259 |
| SBS | SBS2048 |

DRAWINGS ARE AVAILABLE IN OUR ELECTRONIC CATALOGUE

FSB754

95.0 x 20.0 mm

HONDA, MBK, PEUGEOT

FRONT / REAR

| CROSS REFERENCE | |
|-----------------|----------|
| EBC | 334 |
| NEWFREN | .GF.1246 |
| SBS | SBS2194 |

| EQUIVALENT OE # | |
|-----------------|---------------|
| OEM Honda | 43130 GE9 003 |

DRAWINGS ARE AVAILABLE IN OUR ELECTRONIC CATALOGUE

FSB755

140.0 x 30.0 mm

HONDA, HONDA ATV, KYMCO

REAR

| CROSS REFERENCE | |
|-----------------|----------|
| EBC | 340 |
| LUCAS | MCS821 |
| NEWFREN | .GF.1251 |
| VESRAH | VB158 |

| EQUIVALENT OE # | |
|-----------------|---------------|
| OEM Honda | 43120 MG7 003 |
| OEM Honda | 43120 MG7 405 |

DRAWINGS ARE AVAILABLE IN OUR ELECTRONIC CATALOGUE

FSB756

85.0 x 20.0 mm

E-TON ATV, HONDA, KAWASAKI ATV, KYMCO ATV, PGO ATV, POLARIS ATV

FRONT / REAR

| CROSS REFERENCE | |
|-----------------|----------|
| EBC | 338 |
| LUCAS | MCS832 |
| NEWFREN | .GF.1253 |
| SBS | SBS2043 |

DRAWINGS ARE AVAILABLE IN OUR ELECTRONIC CATALOGUE

FSB757

130.0 x 25.0 mm

HONDA

REAR

| CROSS REFERENCE | |
|-----------------|----------|
| EBC | 344 |
| LUCAS | MCS824 |
| NEWFREN | .GF.1254 |
| SBS | SBS2047 |

DRAWINGS ARE AVAILABLE IN OUR ELECTRONIC CATALOGUE

FSB758

90.0 x 20.0 mm

HONDA

FRONT

| CROSS REFERENCE | |
|-----------------|----------|
| EBC | 335 |
| NEWFREN | .GF.1247 |
| SBS | SBS2193 |

DRAWINGS ARE AVAILABLE IN OUR ELECTRONIC CATALOGUE

FSB759

140.0 x 25.0 mm

FANTIC, GILERA

REAR

| CROSS REFERENCE | |
|-----------------|----------|
| EBC | 987 |
| NEWFREN | .GF.0227 |

DRAWINGS ARE AVAILABLE IN OUR ELECTRONIC CATALOGUE

FSB760

140.0 x 28.0 mm

ARCTIC CAT ATV, HONDA, HONDA 3 WHEELERS, HONDA ATV, POLARIS ATV

FRONT / REAR

| CROSS REFERENCE | |
|-----------------|----------|
| EBC | 306 |
| NEWFREN | .GF.1206 |
| SBS | SBS2019 |
| VESRAH | VB135 |

DRAWINGS ARE AVAILABLE IN OUR ELECTRONIC CATALOGUE

FSB761

180.0 x 35.0 mm

HONDA, HONDA ATV, KAWASAKI

REAR

| CROSS REFERENCE | |
|-----------------|----------|
| EBC | 343 |
| LUCAS | MCS822 |
| NEWFREN | .GF.1232 |
| SBS | SBS2046 |
| VESRAH | VB146 |

| EQUIVALENT OE # | |
|-----------------|---------------|
| OEM Honda | 06430 MCL 700 |
| OEM Honda | 06430 MZ5 003 |
| OEM Honda | 06430 MM8 881 |
| OEM Honda | 06430 MR5 006 |
| OEM Honda | 43120 MR5 006 |

DRAWINGS ARE AVAILABLE IN OUR ELECTRONIC CATALOGUE

FSB762

130.0 x 25.0 mm

HONDA, ITALJET, PEUGEOT, PIAGGIO

FRONT / REAR

| CROSS REFERENCE | |
|-----------------|----------|
| EBC | 350 |
| LUCAS | MCS831 |
| NEWFREN | .GF.1289 |
| SBS | SBS2189 |

DRAWINGS ARE AVAILABLE IN OUR ELECTRONIC CATALOGUE

FSB763

130.0 x 22.0 mm

YAMAHA

FRONT / REAR

| CROSS REFERENCE | |
|-----------------|----------|
| EBC | 508 |
| NEWFREN | .GF.1164 |
| SBS | SBS2036 |
| VESRAH | VB234 |

| EQUIVALENT OE # | |
|-----------------|--------------|
| OEM Yamaha | 4V4 W253A 00 |

DRAWINGS ARE AVAILABLE IN OUR ELECTRONIC CATALOGUE

FSB764

95.0 x 20.0 mm

SUZUKI, YAMAHA

FRONT / REAR

| CROSS REFERENCE | |
|-----------------|----------|
| EBC | 502 |
| LUCAS | MCS961 |
| NEWFREN | .GF.1199 |
| SBS | SBS2182 |
| VESRAH | VB226 |
| VESRAH | VB319 |

| EQUIVALENT OE # | |
|-----------------|--------------|
| OEM Yamaha | 39K 25130 00 |
| OEM Yamaha | 3EC W2535 00 |
| OEM Yamaha | 3EC W253A 00 |
| OEM Yamaha | 39K W2535 00 |

DRAWINGS ARE AVAILABLE IN OUR ELECTRONIC CATALOGUE

FSB765**200.0 x 40.0 mm**

YAMAHA

REAR

| CROSS REFERENCE | |
|-----------------|----------|
| EBC | 515 |
| LUCAS | MCS957 |
| NEWFREN | .GF.1204 |
| SBS | SBS2065 |
| VESRAH | VB230 |

| EQUIVALENT OE # | |
|-----------------|--------------|
| OEM Yamaha | 3DR W253E 00 |
| OEM Yamaha | 3DR W2536 00 |
| OEM Yamaha | 4DR W2536 00 |

DRAWINGS ARE AVAILABLE IN OUR ELECTRONIC CATALOGUE

FSB766**150.0 x 25.0 mm**

YAMAHA

FRONT

| CROSS REFERENCE | |
|-----------------|----------|
| EBC | 522 |
| NEWFREN | .GF.1264 |
| SBS | SBS2192 |

DRAWINGS ARE AVAILABLE IN OUR ELECTRONIC CATALOGUE

FSB767**160.0 x 25.0 mm**

YAMAHA, YAMAHA ATV

FRONT / REAR

| CROSS REFERENCE | |
|-----------------|----------|
| EBC | 511 |
| LUCAS | MCS833 |
| LUCAS | MCS952 |
| NEWFREN | .GF.1168 |
| SBS | SBS2035 |
| VESRAH | VB220 |

| EQUIVALENT OE # | |
|-----------------|--------------|
| OEM Yamaha | 4GR W253E 00 |

DRAWINGS ARE AVAILABLE IN OUR ELECTRONIC CATALOGUE

FSB768**118.0 x 24.0 mm**

BETA

REAR

| CROSS REFERENCE | |
|-----------------|----------|
| EBC | 941 |
| NEWFREN | .GF.0223 |

DRAWINGS ARE AVAILABLE IN OUR ELECTRONIC CATALOGUE

FSB769**180.0 x 40.0 mm**

YAMAHA

REAR

| CROSS REFERENCE | |
|-----------------|----------|
| EBC | 512 |
| LUCAS | MCS834 |
| LUCAS | MCS950 |
| NEWFREN | .GF.1202 |
| SBS | SBS2063 |
| VESRAH | VB227 |

| EQUIVALENT OE # | |
|-----------------|--------------|
| OEM Yamaha | 3LT W253E 00 |

DRAWINGS ARE AVAILABLE IN OUR ELECTRONIC CATALOGUE

FSB770**180.0 x 30.0 mm**

YAMAHA

FRONT

| CROSS REFERENCE | |
|-----------------|----------|
| EBC | 513 |
| LUCAS | MCS954 |
| NEWFREN | .GF.1203 |
| SBS | SBS2113 |
| VESRAH | VB206 |

DRAWINGS ARE AVAILABLE IN OUR ELECTRONIC CATALOGUE

FSB771**100.0 x 20.0 mm**

YAMAHA

FRONT / REAR

| CROSS REFERENCE | |
|-----------------|----------|
| EBC | 525 |
| NEWFREN | .GF.1278 |
| SBS | SBS2191 |

DRAWINGS ARE AVAILABLE IN OUR ELECTRONIC CATALOGUE

FSB772**130.0 x 28.0 mm**

YAMAHA

FRONT / REAR

| CROSS REFERENCE | |
|-----------------|----------|
| EBC | 521 |
| LUCAS | MCS969 |
| NEWFREN | .GF.1270 |
| SBS | SBS2115 |

| EQUIVALENT OE # | |
|-----------------|--------------|
| OEM Yamaha | 3TE W2535 00 |

DRAWINGS ARE AVAILABLE IN OUR ELECTRONIC CATALOGUE

FSB773**180.0 x 28.0 mm**

SUZUKI

REAR

| CROSS REFERENCE | |
|-----------------|----------|
| EBC | 609 |
| LUCAS | MCS904 |
| NEWFREN | .GF.1121 |
| SBS | SBS2097 |
| VESRAH | VB305 |

| EQUIVALENT OE # | |
|-----------------|-------------|
| OEM Suzuki | 64400 11870 |

DRAWINGS ARE AVAILABLE IN OUR ELECTRONIC CATALOGUE

FSB775**130.0 x 23.0 mm**

SUZUKI

FRONT / REAR

| CROSS REFERENCE | |
|-----------------|----------|
| EBC | 619 |
| NEWFREN | .GF.1255 |

DRAWINGS ARE AVAILABLE IN OUR ELECTRONIC CATALOGUE

FSB776**130.0 x 22.0 mm**

HYOSUNG, KAWASAKI ATV, SUZUKI, SUZUKI ATV

FRONT / REAR

| CROSS REFERENCE | |
|-----------------|----------|
| EBC | 618 |
| NEWFREN | .GF.1158 |
| SBS | SBS2104 |

| EQUIVALENT OE # | |
|-----------------|-------------|
| OEM Suzuki | 54410 14100 |

DRAWINGS ARE AVAILABLE IN OUR ELECTRONIC CATALOGUE

FSB777**120.0 x 25.0 mm**

ATALA, CAGIVA, DERBI, GARELLI, ITALJET, PGO, PUCH, RIZZATO, SUZUKI, SUZUKI ATV

FRONT / REAR

| CROSS REFERENCE | |
|-----------------|----------|
| EBC | 624 |
| LUCAS | MCS921 |
| NEWFREN | .GF.1233 |
| SBS | SBS2181 |
| VESRAH | VB328 |

| EQUIVALENT OE # | |
|-----------------|-------------|
| OEM Derbi | 00G01300931 |
| OEM Suzuki | 54400 03820 |
| OEM Suzuki | 54041 30F00 |
| OEM Suzuki | 54400 03810 |

DRAWINGS ARE AVAILABLE IN OUR ELECTRONIC CATALOGUE

FSB778**130.0 x 22.0 mm**

SUZUKI

FRONT

| CROSS REFERENCE | |
|-----------------|----------|
| EBC | 622 |
| NEWFREN | .GF.1165 |
| SBS | SBS2108 |

| EQUIVALENT OE # | |
|-----------------|-------------|
| OEM Suzuki | 54410 14300 |

DRAWINGS ARE AVAILABLE IN OUR ELECTRONIC CATALOGUE

FSB779**150.0 x 22.0 mm**

SUZUKI, SUZUKI 3 WHEELERS, SUZUKI ATV

FRONT / REAR

| CROSS REFERENCE | |
|-----------------|----------|
| EBC | 621 |
| NEWFREN | .GF.1166 |
| SBS | SBS2107 |
| VESRAH | VB315 |

DRAWINGS ARE AVAILABLE IN OUR ELECTRONIC CATALOGUE

FSB780**180.0 x 32.0 mm**

SUZUKI

REAR

| CROSS REFERENCE | |
|-----------------|----------|
| EBC | 611 |
| LUCAS | MCS906 |
| NEWFREN | .GF.1191 |
| SBS | SBS2099 |
| VESRAH | VB307 |

| EQUIVALENT OE # | |
|-----------------|-------------|
| OEM Suzuki | 64400 34830 |

DRAWINGS ARE AVAILABLE IN OUR ELECTRONIC CATALOGUE

FSB781**180.0 x 30.0 mm**

FANTIC, GARELLI

REAR

| CROSS REFERENCE | |
|-----------------|----------|
| EBC | 983 |
| NEWFREN | .GF.0229 |

DRAWINGS ARE AVAILABLE IN OUR ELECTRONIC CATALOGUE

FSB782**180.0 x 40.0 mm**

SUZUKI, SUZUKI ATV

REAR

| CROSS REFERENCE | |
|-----------------|----------|
| EBC | 634 |
| LUCAS | MCS905 |
| NEWFREN | .GF.1120 |
| SBS | SBS2098 |

| EQUIVALENT OE # | |
|-----------------|-------------|
| OEM Suzuki | 64400 31830 |

DRAWINGS ARE AVAILABLE IN OUR ELECTRONIC CATALOGUE

FSB783**100.0 x 20.0 mm**

SUZUKI

FRONT

| CROSS REFERENCE | |
|-----------------|----------|
| EBC | 615 |
| LUCAS | MCS993 |
| NEWFREN | .GF.1227 |
| SBS | SBS2022 |

DRAWINGS ARE AVAILABLE IN OUR ELECTRONIC CATALOGUE

FSB784**180.0 x 36.0 mm**

SACHS, SUZUKI, SUZUKI ATV

REAR

| CROSS REFERENCE | |
|-----------------|----------|
| EBC | 626 |
| NEWFREN | .GF.1230 |
| SBS | SBS2052 |
| VESRAH | VB321 |

| EQUIVALENT OE # | |
|-----------------|-------------|
| OEM Suzuki | 64400 38810 |
| OEM Suzuki | 64400 38820 |
| OEM Suzuki | 64410 38A00 |

DRAWINGS ARE AVAILABLE IN OUR ELECTRONIC CATALOGUE

FSB785**140.0 x 28.0 mm**

SUZUKI

FRONT / REAR

| CROSS REFERENCE | |
|-----------------|----------|
| EBC | 620 |
| NEWFREN | .GF.1231 |
| VESRAH | VB318 |

| EQUIVALENT OE # | |
|-----------------|-------------|
| OEM Suzuki | 64410 40301 |

DRAWINGS ARE AVAILABLE IN OUR ELECTRONIC CATALOGUE

FSB786**120.0 x 22.0 mm**

SUZUKI

REAR

| CROSS REFERENCE | |
|-----------------|----------|
| EBC | 616 |
| LUCAS | MCS915 |
| NEWFREN | .GF.1161 |
| SBS | SBS2102 |
| VESRAH | VB316 |

| EQUIVALENT OE # | |
|-----------------|-------------|
| OEM Suzuki | 64410 14100 |

DRAWINGS ARE AVAILABLE IN OUR ELECTRONIC CATALOGUE

FSB787**130.0 x 28.0 mm**

SUZUKI

FRONT / REAR

| CROSS REFERENCE | |
|-----------------|----------|
| NEWFREN | .GF.1157 |

DRAWINGS ARE AVAILABLE IN OUR ELECTRONIC CATALOGUE

FSB788**110.0 x 25.0 mm**

APRILIA, ATALA, BENELLI, BETA, BS VILLA, CAGIVA, HUSQVARNA, KTM, MALAGUTI, SYM, YAMAHA

FRONT / REAR

| CROSS REFERENCE | |
|-----------------|----------|
| EBC | 893 |
| NEWFREN | .GF.0255 |

| EQUIVALENT OE # | |
|-----------------|---------------|
| OEM Aprilia | 8213133 |
| OEM Benelli | R44790031A0 |
| OEM Beta | 1242150000 |
| OEM Honda | 45120 E60 000 |
| OEM Malagutti | 11940300 |
| OEM Malagutti | 11971000 |

DRAWINGS ARE AVAILABLE IN OUR ELECTRONIC CATALOGUE

FSB789**165.0 x 28.0 mm**

SUZUKI ATV

REAR

| CROSS REFERENCE | |
|-----------------|----------|
| NEWFREN | .GF.1268 |

DRAWINGS ARE AVAILABLE IN OUR ELECTRONIC CATALOGUE

FSB790**160.0 x 30.0 mm**

SUZUKI

REAR

| CROSS REFERENCE | |
|-----------------|----------|
| EBC | 630 |
| NEWFREN | .GF.1269 |

| EQUIVALENT OE # | |
|-----------------|-------------|
| OEM Suzuki | 64410 44B10 |

DRAWINGS ARE AVAILABLE IN OUR ELECTRONIC CATALOGUE

FSB791

110.0 x 17.0 mm

SUZUKI

REAR

| CROSS REFERENCE | |
|-----------------|----------|
| EBC | 631 |
| NEWFREN | .GF.1296 |
| VESRAH | VB324 |

DRAWINGS ARE AVAILABLE IN OUR ELECTRONIC CATALOGUE

FSB792

90.0 x 20.0 mm

ATALA, SUZUKI

FRONT / REAR

| CROSS REFERENCE | |
|-----------------|----------|
| EBC | 632 |
| LUCAS | MCS991 |
| NEWFREN | .GF.1297 |
| VESRAH | VB325 |

| EQUIVALENT OE # | |
|-----------------|-------------|
| OEM Suzuki | 54410 46B01 |

DRAWINGS ARE AVAILABLE IN OUR ELECTRONIC CATALOGUE

FSB793

180.0 x 30.0 mm

KAWASAKI

REAR

| CROSS REFERENCE | |
|-----------------|----------|
| EBC | 708 |
| NEWFREN | .GF.1140 |
| SBS | SBS2088 |
| VESRAH | VB404 |

| EQUIVALENT OE # | |
|-----------------|------------|
| OEM Kawasaki | 41048 1122 |

DRAWINGS ARE AVAILABLE IN OUR ELECTRONIC CATALOGUE

FSB794

180.0 x 35.0 mm

KAWASAKI, KAWASAKI ATV

REAR

| CROSS REFERENCE | |
|-----------------|----------|
| EBC | 710 |
| NEWFREN | .GF.1141 |
| SBS | SBS2197 |
| VESRAH | VB419 |

| EQUIVALENT OE # | |
|-----------------|------------|
| OEM Kawasaki | 41048 1082 |

DRAWINGS ARE AVAILABLE IN OUR ELECTRONIC CATALOGUE

FSB795

200.0 x 35.0 mm

KAWASAKI

REAR

| CROSS REFERENCE | |
|-----------------|----------|
| EBC | 713 |
| LUCAS | MCS851 |
| NEWFREN | .GF.1142 |
| SBS | SBS2091 |
| VESRAH | VB405 |

| EQUIVALENT OE # | |
|-----------------|------------|
| OEM Kawasaki | 41048 1093 |

DRAWINGS ARE AVAILABLE IN OUR ELECTRONIC CATALOGUE

FSB796

220.0 x 25.0 mm

MOTO GUZZI

FRONT / REAR

| CROSS REFERENCE | |
|-----------------|----------|
| NEWFREN | .GF.0179 |

DRAWINGS ARE AVAILABLE IN OUR ELECTRONIC CATALOGUE

FSB797

120.0 x 28.0 mm

KAWASAKI

FRONT / REAR

| CROSS REFERENCE | |
|-----------------|----------|
| EBC | 704 |
| NEWFREN | .GF.1148 |
| SBS | SBS2039 |
| VESRAH | VB408 |

DRAWINGS ARE AVAILABLE IN OUR ELECTRONIC CATALOGUE

FSB798

110.0 x 28.0 mm

KAWASAKI

FRONT / REAR

| CROSS REFERENCE | |
|-----------------|----------|
| EBC | 701 |
| NEWFREN | .GF.1234 |
| SBS | SBS2087 |
| VESRAH | VB414 |

DRAWINGS ARE AVAILABLE IN OUR ELECTRONIC CATALOGUE

FSB799

140.0 x 28.0 mm

KAWASAKI, KAWASAKI 3 WHEELERS, KAWASAKI ATV

FRONT / REAR

| CROSS REFERENCE | |
|-----------------|----------|
| EBC | 705 |
| NEWFREN | .GF.1237 |
| SBS | SBS2040 |
| VESRAH | VB411 |

DRAWINGS ARE AVAILABLE IN OUR ELECTRONIC CATALOGUE

FSB800

180.0 x 30.0 mm

KAWASAKI

FRONT

| CROSS REFERENCE | |
|-----------------|----------|
| EBC | 711 |
| LUCAS | MCS858 |
| NEWFREN | .GF.1242 |

| EQUIVALENT OE # | |
|-----------------|------------|
| OEM Kawasaki | 41048 1090 |

DRAWINGS ARE AVAILABLE IN OUR ELECTRONIC CATALOGUE

FSB801

95.0 x 20.0 mm

KAWASAKI

FRONT

| CROSS REFERENCE | |
|-----------------|----------|
| EBC | 714 |
| NEWFREN | .GF.1244 |
| SBS | SBS2092 |
| VESRAH | VB415 |

DRAWINGS ARE AVAILABLE IN OUR ELECTRONIC CATALOGUE

FSB802

90.0 x 20.0 mm

KAWASAKI

FRONT / REAR

| CROSS REFERENCE | |
|-----------------|----------|
| EBC | 715 |
| LUCAS | MCS857 |
| NEWFREN | .GF.1245 |
| SBS | SBS2093 |
| VESRAH | VB417 |

| EQUIVALENT OE # | |
|-----------------|------------|
| OEM Kawasaki | 41048 1083 |

DRAWINGS ARE AVAILABLE IN OUR ELECTRONIC CATALOGUE

FSB803

118.0 x 24.0 mm

APRILIA, FANTIC, MALAGUTI

FRONT / REAR

| CROSS REFERENCE | |
|-----------------|----------|
| EBC | 930 |
| NEWFREN | .GF.0220 |

DRAWINGS ARE AVAILABLE IN OUR ELECTRONIC CATALOGUE

FSB804

200.0 x 25.0 mm

BMW

REAR

| CROSS REFERENCE | |
|-----------------|----------|
| EBC | 862 |
| LUCAS | MCS942 |
| NEWFREN | .GF.1219 |
| SBS | SBS2141 |

| EQUIVALENT OE # | |
|-----------------|-----------------|
| OEM BMW | 34 21 2 311 082 |

DRAWINGS ARE AVAILABLE IN OUR ELECTRONIC CATALOGUE

FSB805

200.0 x 23.0 mm

BMW

REAR

| CROSS REFERENCE | |
|-----------------|----------|
| EBC | 863 |
| LUCAS | MCS943 |
| NEWFREN | .GF.1256 |

DRAWINGS ARE AVAILABLE IN OUR ELECTRONIC CATALOGUE

FSB806

200.0 x 30.0 mm

BMW

FRONT

| CROSS REFERENCE | |
|-----------------|----------|
| EBC | 864 |
| LUCAS | MCS944 |
| NEWFREN | .GF.1257 |

| EQUIVALENT OE # | |
|-----------------|-----------------|
| OEM BMW | 34 11 2 311 079 |

DRAWINGS ARE AVAILABLE IN OUR ELECTRONIC CATALOGUE

FSB807

125.0 x 25.0 mm

BULTACO

FRONT / REAR

| CROSS REFERENCE | |
|-----------------|----------|
| EBC | 831 |
| NEWFREN | .GF.1137 |

DRAWINGS ARE AVAILABLE IN OUR ELECTRONIC CATALOGUE

FSB808

105.0 x 25.0 mm

DERBI

FRONT / REAR

| CROSS REFERENCE | |
|-----------------|----------|
| EBC | 999 |
| NEWFREN | .GF.1249 |

DRAWINGS ARE AVAILABLE IN OUR ELECTRONIC CATALOGUE

FSB809

105.0 x 25.0 mm

DERBI

FRONT / REAR

| CROSS REFERENCE | |
|-----------------|----------|
| EBC | 986 |
| NEWFREN | .GF.1261 |

DRAWINGS ARE AVAILABLE IN OUR ELECTRONIC CATALOGUE

FSB810

130.0 x 20.0 mm

DERBI

FRONT / REAR

| CROSS REFERENCE | |
|-----------------|----------|
| EBC | 997 |
| NEWFREN | .GF.1265 |

DRAWINGS ARE AVAILABLE IN OUR ELECTRONIC CATALOGUE

FSB811

130.0 x 20.0 mm

DERBI

FRONT / REAR

| CROSS REFERENCE | |
|-----------------|----------|
| EBC | 866 |
| NEWFREN | .GF.1267 |

DRAWINGS ARE AVAILABLE IN OUR ELECTRONIC CATALOGUE

FSB812

160.0 x 30.0 mm

HUSQVARNA

FRONT / REAR

| CROSS REFERENCE | |
|-----------------|----------|
| EBC | 802 |
| NEWFREN | .GF.1152 |
| SBS | SBS2117 |

DRAWINGS ARE AVAILABLE IN OUR ELECTRONIC CATALOGUE

FSB813

160.0 x 25.0 mm

HUSQVARNA

FRONT

| CROSS REFERENCE | |
|-----------------|----------|
| EBC | 803 |
| NEWFREN | .GF.1160 |
| SBS | SBS2118 |

DRAWINGS ARE AVAILABLE IN OUR ELECTRONIC CATALOGUE

FSB814

130.0 x 30.0 mm

HONDA, KTM

FRONT / REAR

| CROSS REFERENCE | |
|-----------------|----------|
| EBC | 812 |
| NEWFREN | .GF.1124 |
| SBS | SBS2120 |

| EQUIVALENT OE # | |
|-----------------|-------------|
| OEM KTM | 55009035000 |

DRAWINGS ARE AVAILABLE IN OUR ELECTRONIC CATALOGUE

FSB815

181.0 x 25.0 mm

KTM

FRONT / REAR

| CROSS REFERENCE | |
|-----------------|----------|
| EBC | 813 |
| NEWFREN | .GF.1126 |
| SBS | SBS2121 |

DRAWINGS ARE AVAILABLE IN OUR ELECTRONIC CATALOGUE

FSB816

130.0 x 22.0 mm

ATK (USA), HUSQVARNA, KTM

FRONT / REAR

| CROSS REFERENCE | |
|-----------------|----------|
| EBC | 814 |
| NEWFREN | .GF.1185 |
| SBS | SBS2122 |

| EQUIVALENT OE # | |
|-----------------|-------------|
| OEM KTM | 54309035000 |

DRAWINGS ARE AVAILABLE IN OUR ELECTRONIC CATALOGUE

FSB817

140.0 x 25.0 mm

KTM

FRONT

| CROSS REFERENCE | |
|-----------------|----------|
| EBC | 811 |
| NEWFREN | .GF.1159 |

DRAWINGS ARE AVAILABLE IN OUR ELECTRONIC CATALOGUE

FSB818

158.0 x 30.0 mm

BENELLI, DUCATI, MOTO GUZZI

FRONT / REAR

| CROSS REFERENCE | |
|-----------------|----------|
| EBC | 929 |
| NEWFREN | .GF.0183 |

DRAWINGS ARE AVAILABLE IN OUR ELECTRONIC CATALOGUE

FSB819

160.0 x 30.0 mm

MAICO

REAR

| CROSS REFERENCE | |
|-----------------|----------|
| EBC | 822 |
| NEWFREN | .GF.1044 |

DRAWINGS ARE AVAILABLE IN OUR ELECTRONIC CATALOGUE

FSB820

110.0 x 30.0 mm

MONTESA, MONTESA (HONDA), PUCH

FRONT / REAR

| CROSS REFERENCE | |
|-----------------|----------|
| EBC | 933 |
| NEWFREN | .GF.1154 |

DRAWINGS ARE AVAILABLE IN OUR ELECTRONIC CATALOGUE

FSB821

125.0 x 28.0 mm

MONTESA, MONTESA (HONDA)

FRONT

| CROSS REFERENCE | |
|-----------------|----------|
| EBC | 937 |
| NEWFREN | .GF.1176 |

DRAWINGS ARE AVAILABLE IN OUR ELECTRONIC CATALOGUE

FSB822

80.0 x 20.0 mm

MOTOBECANE

FRONT / REAR

| CROSS REFERENCE | |
|-----------------|----------|
| EBC | 878 |
| NEWFREN | .GF.1128 |

DRAWINGS ARE AVAILABLE IN OUR ELECTRONIC CATALOGUE

FSB823

160.0 x 30.0 mm

MZ

FRONT / REAR

| CROSS REFERENCE | |
|-----------------|----------|
| EBC | 978 |
| LUCAS | MCS890 |
| NEWFREN | .GF.1145 |
| SBS | SBS2171 |

DRAWINGS ARE AVAILABLE IN OUR ELECTRONIC CATALOGUE

FSB824

140.0 x 30.0 mm

MZ

FRONT / REAR

| CROSS REFERENCE | |
|-----------------|----------|
| EBC | 979 |
| LUCAS | MCS891 |
| NEWFREN | .GF.1260 |
| SBS | SBS2172 |

DRAWINGS ARE AVAILABLE IN OUR ELECTRONIC CATALOGUE

FSB825

122.0 x 30.0 mm

OSSA

FRONT / REAR

| CROSS REFERENCE | |
|-----------------|----------|
| EBC | 934 |
| NEWFREN | .GF.1153 |

DRAWINGS ARE AVAILABLE IN OUR ELECTRONIC CATALOGUE

FSB826

110.0 x 25.0 mm

CAGIVA, OSSA, PUCH

FRONT / REAR

| CROSS REFERENCE | |
|-----------------|----------|
| EBC | 935 |
| NEWFREN | .GF.1155 |

DRAWINGS ARE AVAILABLE IN OUR ELECTRONIC CATALOGUE

FSB827

120.0 x 25.0 mm

FB MINARELLI, OSSA, PUCH, RIEJU

FRONT / REAR

| CROSS REFERENCE | |
|-----------------|----------|
| EBC | 936 |
| NEWFREN | .GF.1156 |

DRAWINGS ARE AVAILABLE IN OUR ELECTRONIC CATALOGUE

FSB828

150.0 x 30.0 mm

OSSA

REAR

| CROSS REFERENCE | |
|-----------------|----------|
| EBC | 990 |
| NEWFREN | .GF.1183 |

DRAWINGS ARE AVAILABLE IN OUR ELECTRONIC CATALOGUE

FSB829

140.0 x 20.0 mm

GILERA

REAR

| CROSS REFERENCE | |
|-----------------|----------|
| EBC | 883 |
| NEWFREN | .GF.0247 |

DRAWINGS ARE AVAILABLE IN OUR ELECTRONIC CATALOGUE

FSB831**95.0 x 22.0 mm**

PUCH

FRONT / REAR

| CROSS REFERENCE | |
|-----------------|----------|
| EBC | 998 |
| NEWFREN | .GF.1250 |

DRAWINGS ARE AVAILABLE IN OUR ELECTRONIC CATALOGUE

FSB832**110.0 x 25.0 mm**

FB MINARELLI, RIEJU

FRONT / REAR

| CROSS REFERENCE | |
|-----------------|----------|
| EBC | 985 |
| NEWFREN | .GF.1241 |

DRAWINGS ARE AVAILABLE IN OUR ELECTRONIC CATALOGUE

FSB833**124.0 x 28.0 mm**

APRILIA, CAGIVA, HRD, TRE SOLDI, VALENTI

FRONT / REAR

| CROSS REFERENCE | |
|-----------------|----------|
| EBC | 944 |
| NEWFREN | .GF.1181 |

DRAWINGS ARE AVAILABLE IN OUR ELECTRONIC CATALOGUE

FSB834**124.0 x 28.0 mm**

APRILIA, GILERA, KRAMER, VALENTI

FRONT / REAR

| CROSS REFERENCE | |
|-----------------|----------|
| EBC | 955 |
| NEWFREN | .GF.1182 |

DRAWINGS ARE AVAILABLE IN OUR ELECTRONIC CATALOGUE

FSB835**150.0 x 25.0 mm**

ZUNDAPP

REAR

| CROSS REFERENCE | |
|-----------------|----------|
| EBC | 975 |
| NEWFREN | .GF.1084 |

DRAWINGS ARE AVAILABLE IN OUR ELECTRONIC CATALOGUE

FSB836**120.0 x 25.0 mm**

ZUNDAPP

FRONT / REAR

| CROSS REFERENCE | |
|-----------------|----------|
| EBC | 976 |
| NEWFREN | .GF.1088 |

DRAWINGS ARE AVAILABLE IN OUR ELECTRONIC CATALOGUE

FSB837**124.0 x 25.0 mm**

BENELLI, ITALJET

FRONT / REAR

| CROSS REFERENCE | |
|-----------------|----------|
| EBC | 965 |
| NEWFREN | .GF.0218 |

DRAWINGS ARE AVAILABLE IN OUR ELECTRONIC CATALOGUE

FSB838**140.0 x 25.0 mm**

GILERA

REAR

| CROSS REFERENCE | |
|-----------------|----------|
| EBC | 954 |
| NEWFREN | .GF.0214 |

DRAWINGS ARE AVAILABLE IN OUR ELECTRONIC CATALOGUE

FSB839**152.0 x 25.0 mm**

INNOCENTI

FRONT / REAR

| CROSS REFERENCE | |
|-----------------|----------|
| EBC | 958 |
| NEWFREN | .GF.0089 |

DRAWINGS ARE AVAILABLE IN OUR ELECTRONIC CATALOGUE

FSB840**150.0 x 17.0 mm**

INNOCENTI

FRONT / REAR

| CROSS REFERENCE | |
|-----------------|----------|
| NEWFREN | .GF.0149 |

DRAWINGS ARE AVAILABLE IN OUR ELECTRONIC CATALOGUE

FSB841**130.0 x 25.0 mm**

CAGIVA

REAR

| CROSS REFERENCE | |
|-----------------|----------|
| EBC | 977 |
| NEWFREN | .GF.0232 |

DRAWINGS ARE AVAILABLE IN OUR ELECTRONIC CATALOGUE

FSB842**150.0 x 22.0 mm**

INNOCENTI

FRONT / REAR

| CROSS REFERENCE | |
|-----------------|----------|
| EBC | 989 |
| NEWFREN | .GF.0150 |

DRAWINGS ARE AVAILABLE IN OUR ELECTRONIC CATALOGUE

FSB843**152.0 x 25.0 mm**

INNOCENTI

FRONT / REAR

| CROSS REFERENCE | |
|-----------------|----------|
| EBC | 959 |
| NEWFREN | .GF.0170 |

DRAWINGS ARE AVAILABLE IN OUR ELECTRONIC CATALOGUE

FSB844**125.0 x 22.0 mm**

CAGIVA, GILERA

REAR

| CROSS REFERENCE | |
|-----------------|----------|
| EBC | 845 |
| NEWFREN | .GF.0219 |

DRAWINGS ARE AVAILABLE IN OUR ELECTRONIC CATALOGUE

FSB845**130.0 x 30.0 mm**

CAGIVA

REAR

| CROSS REFERENCE | |
|-----------------|----------|
| EBC | 982 |
| NEWFREN | .GF.0235 |

DRAWINGS ARE AVAILABLE IN OUR ELECTRONIC CATALOGUE

FSB846**125.0 x 26.0 mm**

CAGIVA

REAR

| CROSS REFERENCE | |
|-----------------|----------|
| EBC | 943 |
| NEWFREN | .GF.0225 |

DRAWINGS ARE AVAILABLE IN OUR ELECTRONIC CATALOGUE

FSB847**136.0 x 25.0 mm**

FANTIC, GILERA, MAICO, MOTO GUZZI, MOTO MORINI

FRONT / REAR

| CROSS REFERENCE | |
|-----------------|----------|
| EBC | 821 |
| NEWFREN | .GF.0084 |

DRAWINGS ARE AVAILABLE IN OUR ELECTRONIC CATALOGUE

FSB848**130.0 x 30.0 mm**

CAGIVA

REAR

| CROSS REFERENCE | |
|-----------------|----------|
| EBC | 953 |
| NEWFREN | .GF.0226 |

DRAWINGS ARE AVAILABLE IN OUR ELECTRONIC CATALOGUE

FSB849**160.0 x 25.0 mm**

CAGIVA

FRONT / REAR

| CROSS REFERENCE | |
|-----------------|----------|
| EBC | 842 |
| NEWFREN | .GF.0213 |

DRAWINGS ARE AVAILABLE IN OUR ELECTRONIC CATALOGUE

FSB850**162.0 x 25.0 mm**

HUSQVARNA

FRONT / REAR

| CROSS REFERENCE | |
|-----------------|----------|
| EBC | 801 |
| NEWFREN | .GF.1110 |
| SBS | SBS2116 |

| EQUIVALENT OE # | |
|-----------------|------------|
| OEM Husqvarna | 1516-54301 |

DRAWINGS ARE AVAILABLE IN OUR ELECTRONIC CATALOGUE

FSB851**140.0 x 30.0 mm**

MONTESA

FRONT

| CROSS REFERENCE | |
|-----------------|----------|
| EBC | 865 |
| NEWFREN | .GF.1266 |

DRAWINGS ARE AVAILABLE IN OUR ELECTRONIC CATALOGUE

FSB852**150.0 x 25.0 mm**

BETA, MOTO MORINI, PUCH

REAR

| CROSS REFERENCE | |
|-----------------|----------|
| EBC | 927 |
| NEWFREN | .GF.0208 |

DRAWINGS ARE AVAILABLE IN OUR ELECTRONIC CATALOGUE

FSB853**180.0 x 35.0 mm**

CAGIVA, MOTO MORINI

REAR

| CROSS REFERENCE | |
|-----------------|----------|
| EBC | 948 |
| NEWFREN | .GF.0212 |

DRAWINGS ARE AVAILABLE IN OUR ELECTRONIC CATALOGUE

FSB854**160.0 x 35.0 mm**

CZ

FRONT / REAR

| CROSS REFERENCE | |
|-----------------|----------|
| EBC | 949 |
| NEWFREN | .GF.1131 |

DRAWINGS ARE AVAILABLE IN OUR ELECTRONIC CATALOGUE

FSB855**160.0 x 35.0 mm**

CZ

FRONT

| CROSS REFERENCE | |
|-----------------|----------|
| EBC | 951 |
| NEWFREN | .GF.1133 |

DRAWINGS ARE AVAILABLE IN OUR ELECTRONIC CATALOGUE

FSB856**140.0 x 25.0 mm**

BENELLI

FRONT / REAR

| CROSS REFERENCE | |
|-----------------|----------|
| EBC | 992 |
| NEWFREN | .GF.0236 |

DRAWINGS ARE AVAILABLE IN OUR ELECTRONIC CATALOGUE

FSB857**140.0 x 30.0 mm**

BULTACO, MONTESA

FRONT / REAR

| CROSS REFERENCE | |
|-----------------|----------|
| EBC | 833 |
| NEWFREN | .GF.1135 |

| EQUIVALENT OE # | |
|-----------------|-----------|
| OEM Bultaco | 48 06 056 |

DRAWINGS ARE AVAILABLE IN OUR ELECTRONIC CATALOGUE

FSB858**135.0 x 25.0 mm**

CAGIVA

REAR

| CROSS REFERENCE | |
|-----------------|----------|
| EBC | 844 |
| NEWFREN | .GF.0203 |

DRAWINGS ARE AVAILABLE IN OUR ELECTRONIC CATALOGUE

FSB859**140.0 x 25.0 mm**

CAGIVA

REAR

| CROSS REFERENCE | |
|-----------------|----------|
| EBC | 947 |
| NEWFREN | .GF.0209 |

DRAWINGS ARE AVAILABLE IN OUR ELECTRONIC CATALOGUE

FSB860**120.0 x 24.0 mm**

CASAL

FRONT / REAR

| CROSS REFERENCE | |
|-----------------|----------|
| EBC | 894 |
| NEWFREN | .GF.1283 |

DRAWINGS ARE AVAILABLE IN OUR ELECTRONIC CATALOGUE

FSB861**140.0 x 35.0 mm**

CASAL

FRONT / REAR

| CROSS REFERENCE | |
|-----------------|----------|
| EBC | 895 |
| NEWFREN | .GF.1284 |

DRAWINGS ARE AVAILABLE IN OUR ELECTRONIC CATALOGUE

FSB862**110.0 x 25.0 mm**

ITALJET

REAR

| CROSS REFERENCE | |
|-----------------|----------|
| EBC | 887 |
| NEWFREN | .GF.0253 |

DRAWINGS ARE AVAILABLE IN OUR ELECTRONIC CATALOGUE

FSB863**200.0 x 27.0 mm**

BMW

REAR

| CROSS REFERENCE | |
|-----------------|----------|
| EBC | 859 |
| LUCAS | MCS945 |
| NEWFREN | .GF.1294 |
| SBS | SBS2143 |

DRAWINGS ARE AVAILABLE IN OUR ELECTRONIC CATALOGUE

FSB864**100.0 x 20.0 mm**

MOTOBECANE

REAR

| CROSS REFERENCE | |
|-----------------|----------|
| EBC | 873 |
| NEWFREN | .GF.1180 |

DRAWINGS ARE AVAILABLE IN OUR ELECTRONIC CATALOGUE

FSB865**80.0 x 20.0 mm**

MOBYLETTE

FRONT

| CROSS REFERENCE | |
|-----------------|----------|
| EBC | 876 |
| NEWFREN | .GF.1271 |

DRAWINGS ARE AVAILABLE IN OUR ELECTRONIC CATALOGUE

FSB866**100.0 x 23.0 mm**

MOBYLETTE

REAR

| CROSS REFERENCE | |
|-----------------|----------|
| EBC | 888 |
| NEWFREN | .GF.1272 |

DRAWINGS ARE AVAILABLE IN OUR ELECTRONIC CATALOGUE

FSB867**105.0 x 25.0 mm**

DERBI

FRONT / REAR

| CROSS REFERENCE | |
|-----------------|----------|
| EBC | 880 |
| NEWFREN | .GF.1277 |

DRAWINGS ARE AVAILABLE IN OUR ELECTRONIC CATALOGUE

FSB869**150.0 x 25.0 mm**

PIAGGIO

FRONT

| CROSS REFERENCE | |
|-----------------|----------|
| EBC | 901 |
| NEWFREN | .GF.0024 |

DRAWINGS ARE AVAILABLE IN OUR ELECTRONIC CATALOGUE

FSB870**90.0 x 20.0 mm**

GARELLI

FRONT

| CROSS REFERENCE | |
|-----------------|----------|
| EBC | 877 |
| NEWFREN | .GF.0246 |

DRAWINGS ARE AVAILABLE IN OUR ELECTRONIC CATALOGUE

FSB871**90.0 x 20.0 mm**

MBK

FRONT / REAR

| CROSS REFERENCE | |
|-----------------|----------|
| EBC | 867 |
| NEWFREN | .GF.1262 |

DRAWINGS ARE AVAILABLE IN OUR ELECTRONIC CATALOGUE

FSB872**190.0 x 47.0 mm**

PIAGGIO (motocarri)

FRONT

| CROSS REFERENCE | |
|-----------------|------------|
| EBC | 993/994 |
| NEWFREN | .GF.0242/3 |

DRAWINGS ARE AVAILABLE IN OUR ELECTRONIC CATALOGUE

FSB873**127.0 x 23.0 mm**

PIAGGIO

REAR

| CROSS REFERENCE | |
|-----------------|----------|
| EBC | 911 |
| NEWFREN | .GF.0127 |

DRAWINGS ARE AVAILABLE IN OUR ELECTRONIC CATALOGUE

FSB874

150.0 x 24.0 mm

PIAGGIO, PIAGGIO (Spain)

FRONT / REAR

| CROSS REFERENCE | |
|-----------------|----------|
| EBC | 903 |
| LUCAS | MCS980 |
| NEWFREN | .GF.0128 |
| SBS | SBS2146 |

DRAWINGS ARE AVAILABLE IN OUR ELECTRONIC CATALOGUE

FSB875

127.0 x 23.0 mm

PIAGGIO

REAR

| CROSS REFERENCE | |
|-----------------|----------|
| EBC | 910 |
| NEWFREN | .GF.0087 |

DRAWINGS ARE AVAILABLE IN OUR ELECTRONIC CATALOGUE

FSB876

160.0 x 30.0 mm

APRILIA, BETA, DUCATI, FANTIC, GARELLI, GILERA, LAVERDA, MOTO MORINI, PUCH

REAR

| CROSS REFERENCE | |
|-----------------|----------|
| EBC | 921 |
| NEWFREN | .GF.0201 |

DRAWINGS ARE AVAILABLE IN OUR ELECTRONIC CATALOGUE

FSB877

90.0 x 18.0 mm

BENELLI, FANTIC, GARELLI, PUCH

FRONT / REAR

| CROSS REFERENCE | |
|-----------------|----------|
| EBC | 945 |
| NEWFREN | .GF.1151 |

DRAWINGS ARE AVAILABLE IN OUR ELECTRONIC CATALOGUE

FSB878

180.0 x 41.0 mm

PIAGGIO (motocarri)

FRONT

| CROSS REFERENCE | |
|-----------------|------------|
| EBC | 917/918 |
| NEWFREN | .GF.0197/8 |

DRAWINGS ARE AVAILABLE IN OUR ELECTRONIC CATALOGUE

FSB879

127.0 x 28.0 mm

PIAGGIO

REAR

| CROSS REFERENCE | |
|-----------------|----------|
| EBC | 902 |
| NEWFREN | .GF.0160 |

DRAWINGS ARE AVAILABLE IN OUR ELECTRONIC CATALOGUE

FSB880**220.0 x 40.0 mm**

MOTO GUZZI

FRONT

| CROSS REFERENCE | |
|-----------------|----------|
| NEWFREN | .GF.0176 |

DRAWINGS ARE AVAILABLE IN OUR ELECTRONIC CATALOGUE

FSB881**220.0 x 40.0 mm**

MOTO GUZZI

REAR

| CROSS REFERENCE | |
|-----------------|----------|
| NEWFREN | .GF.0177 |

DRAWINGS ARE AVAILABLE IN OUR ELECTRONIC CATALOGUE

FSB882**180.0 x 41.0 mm**

PIAGGIO (motocarri)

FRONT

| CROSS REFERENCE | |
|-----------------|------------|
| EBC | 915/916 |
| NEWFREN | .GF.0166/7 |

DRAWINGS ARE AVAILABLE IN OUR ELECTRONIC CATALOGUE

FSB883**110.0 x 23.0 mm**

PGO, SINNIS, SUZUKI

REAR

| CROSS REFERENCE | |
|-----------------|----------|
| EBC | 897 |
| LUCAS | MCS990 |
| NEWFREN | .GF.1300 |
| SBS | SBS2188 |
| VESRAH | VB330 |

DRAWINGS ARE AVAILABLE IN OUR ELECTRONIC CATALOGUE

FSB884**170.0 x 30.0 mm**

PIAGGIO (motocarri)

REAR

| CROSS REFERENCE | |
|-----------------|----------|
| EBC | 914 |
| NEWFREN | .GF.0115 |

DRAWINGS ARE AVAILABLE IN OUR ELECTRONIC CATALOGUE

FSB885**125.0 x 20.0 mm**

PIAGGIO

REAR

| CROSS REFERENCE | |
|-----------------|----------|
| EBC | 906 |
| NEWFREN | .GF.0130 |

DRAWINGS ARE AVAILABLE IN OUR ELECTRONIC CATALOGUE

FSB886**160.0 x 32.0 mm**

PIAGGIO (motocarri)

REAR

| CROSS REFERENCE | |
|-----------------|----------|
| EBC | 912 |
| NEWFREN | .GF.0174 |

DRAWINGS ARE AVAILABLE IN OUR ELECTRONIC CATALOGUE

FSB887**150.0 x 24.0 mm**

FANTIC, PIAGGIO

REAR

| CROSS REFERENCE | |
|-----------------|----------|
| EBC | 942 |
| NEWFREN | .GF.0224 |

DRAWINGS ARE AVAILABLE IN OUR ELECTRONIC CATALOGUE

FSB888**190.0 x 18.0 mm**

PIAGGIO (moped)

REAR

| CROSS REFERENCE | |
|-----------------|----------|
| EBC | 868 |
| NEWFREN | .GF.0234 |

DRAWINGS ARE AVAILABLE IN OUR ELECTRONIC CATALOGUE

FSB889**135.0 x 16.0 mm**

GILERA, ITALJET, PIAGGIO (moped)

REAR

| CROSS REFERENCE | |
|-----------------|----------|
| EBC | 907 |
| NEWFREN | .GF.0190 |

| EQUIVALENT OE # | |
|-----------------|---------|
| OEM Gilera | 4145574 |

DRAWINGS ARE AVAILABLE IN OUR ELECTRONIC CATALOGUE

FSB890**125.0 x 17.0 mm**

PIAGGIO, PIAGGIO (motocarri), PIAGGIO (Spain)

FRONT

| CROSS REFERENCE | |
|-----------------|----------|
| EBC | 905 |
| LUCAS | MCS981 |
| NEWFREN | .GF.0162 |

DRAWINGS ARE AVAILABLE IN OUR ELECTRONIC CATALOGUE

FSB891**150.0 x 24.0 mm**

PIAGGIO

REAR

| CROSS REFERENCE | |
|-----------------|----------|
| EBC | 904 |
| LUCAS | MCS986 |
| NEWFREN | .GF.0159 |

DRAWINGS ARE AVAILABLE IN OUR ELECTRONIC CATALOGUE

FSB892**170.0 x 25.0 mm**

PIAGGIO

REAR

| CROSS REFERENCE | |
|-----------------|----------|
| EBC | 881 |
| LUCAS | MCS983 |
| NEWFREN | .GF.0249 |
| SBS | SBS2185 |

DRAWINGS ARE AVAILABLE IN OUR ELECTRONIC CATALOGUE

FSB893**170.0 x 25.0 mm**

PIAGGIO

FRONT

| CROSS REFERENCE | |
|-----------------|----------|
| EBC | 882 |
| LUCAS | MCS982 |
| NEWFREN | .GF.0250 |
| SBS | SBS2184 |

| EQUIVALENT OE # | |
|-----------------|--------|
| OEM Piaggio | 414429 |

DRAWINGS ARE AVAILABLE IN OUR ELECTRONIC CATALOGUE

FSB894**110.0 x 25.0 mm**

PIAGGIO

FRONT

| CROSS REFERENCE | |
|-----------------|----------|
| EBC | 885 |
| LUCAS | MCS987 |
| NEWFREN | .GF.0251 |
| SBS | SBS2186 |

| EQUIVALENT OE # | |
|-----------------|---------|
| OEM Piaggio | 2691825 |

DRAWINGS ARE AVAILABLE IN OUR ELECTRONIC CATALOGUE

FSB895**100.0 x 20.0 mm**

GILERA, PIAGGIO

REAR

| CROSS REFERENCE | |
|-----------------|----------|
| EBC | 886 |
| NEWFREN | .GF.0252 |
| SBS | SBS2187 |

| EQUIVALENT OE # | |
|-----------------|---------|
| OEM Piaggio | I272714 |

DRAWINGS ARE AVAILABLE IN OUR ELECTRONIC CATALOGUE

FSB896**110.0 x 22.0 mm**

PIAGGIO

FRONT / REAR

| CROSS REFERENCE | |
|-----------------|----------|
| EBC | 890 |
| NEWFREN | .GF.0254 |

DRAWINGS ARE AVAILABLE IN OUR ELECTRONIC CATALOGUE

FSB897

123.0 x 25.0 mm

BETA, FANTIC, GILERA, MALAGUTI, MOTO GUZZI

FRONT / REAR

| CROSS REFERENCE | |
|-----------------|----------|
| EBC | 922 |
| NEWFREN | .GF.0097 |

DRAWINGS ARE AVAILABLE IN OUR ELECTRONIC CATALOGUE

FSB898

125.0 x 25.0 mm

ACCOSSATO, ANCILLOTTI, APRILIA, ASPES, BETA, CAGIVA, FANTIC, GARELLI, GILERA, MALANCA, PUCH, SWM

FRONT / REAR

| CROSS REFERENCE | |
|-----------------|----------|
| EBC | 841 |
| NEWFREN | .GF.0200 |

DRAWINGS ARE AVAILABLE IN OUR ELECTRONIC CATALOGUE

FSB899

125.0 x 25.0 mm

BETA, FANTIC

FRONT / REAR

| CROSS REFERENCE | |
|-----------------|----------|
| EBC | 939 |
| NEWFREN | .GF.0221 |

DRAWINGS ARE AVAILABLE IN OUR ELECTRONIC CATALOGUE

FSB900

118.0 x 24.0 mm

APRILIA, FANTIC

REAR

| CROSS REFERENCE | |
|-----------------|----------|
| EBC | 995 |
| NEWFREN | .GF.0244 |

DRAWINGS ARE AVAILABLE IN OUR ELECTRONIC CATALOGUE

FSB901

140.0 x 25.0 mm

ANCILLOTTI, APRILIA, ASPES, BETA, CAGIVA, FANTIC, GILERA, KRAMER, MOTO MORINI, PUCH, SWM

FRONT / REAR

| CROSS REFERENCE | |
|-----------------|----------|
| EBC | 843 |
| NEWFREN | .GF.0204 |

DRAWINGS ARE AVAILABLE IN OUR ELECTRONIC CATALOGUE

FSB902

90.0 x 18.0 mm

BENELLI, BETA, FANTIC, GARELLI, GILERA, MALAGUTI, MOTO GUZZI, PIAGGIO, PIAGGIO (moped), PIAGGIO (Spain), RIZZATO, TOMOS

FRONT / REAR

| CROSS REFERENCE | |
|-----------------|----------|
| EBC | 908 |
| LUCAS | MCS988 |
| NEWFREN | .GF.0151 |

| EQUIVALENT OE # | |
|-----------------|--------|
| OEM Gilera | 267126 |

DRAWINGS ARE AVAILABLE IN OUR ELECTRONIC CATALOGUE

FSB903**104.0 x 22.0 mm**

GARELLI

FRONT

| CROSS REFERENCE | |
|-----------------|----------|
| EBC | 988 |
| NEWFREN | .GF.0228 |

DRAWINGS ARE AVAILABLE IN OUR ELECTRONIC CATALOGUE

FSB904**125.0 x 25.0 mm**

ACCOSSATO, APRILIA, TRE SOLDI

FRONT / REAR

| CROSS REFERENCE | |
|-----------------|----------|
| EBC | 940 |
| NEWFREN | .GF.0222 |

DRAWINGS ARE AVAILABLE IN OUR ELECTRONIC CATALOGUE

FSB905**123.0 x 25.0 mm**

BETA

REAR

| CROSS REFERENCE | |
|-----------------|------------|
| NEWFREN | .GF.0097/A |

DRAWINGS ARE AVAILABLE IN OUR ELECTRONIC CATALOGUE

FSB906**104.0 x 22.0 mm**

GARELLI, PEUGEOT

FRONT

| CROSS REFERENCE | |
|-----------------|----------|
| EBC | 996 |
| NEWFREN | .GF.0245 |

DRAWINGS ARE AVAILABLE IN OUR ELECTRONIC CATALOGUE

FSB907**118.0 x 20.0 mm**

ACCOSSATO, APRILIA, ASPES, BETA, FANTIC, GARELLI, MALAGUTI, MOTO GUZZI, RIZZATO, SWM

FRONT / REAR

| CROSS REFERENCE | |
|-----------------|----------|
| EBC | 926 |
| NEWFREN | .GF.0153 |

| EQUIVALENT OE # | |
|-----------------|----------|
| OEM Malagutti | 11907700 |

DRAWINGS ARE AVAILABLE IN OUR ELECTRONIC CATALOGUE

FSB908**90.0 x 18.0 mm**

BENELLI, GARELLI, MALAGUTI, PIAGGIO (moped), PUCH

FRONT / REAR

| CROSS REFERENCE | |
|-----------------|----------|
| EBC | 931 |
| NEWFREN | .GF.0210 |

DRAWINGS ARE AVAILABLE IN OUR ELECTRONIC CATALOGUE

FSB909**125.0 x 25.0 mm**

APRILIA

REAR

| CROSS REFERENCE | |
|-----------------|----------|
| EBC | 981 |
| NEWFREN | .GF.0233 |

DRAWINGS ARE AVAILABLE IN OUR ELECTRONIC CATALOGUE

FSB910**105.0 x 20.0 mm**

BETA, FANTIC, GARELLI, GILERA, ITALJET, PIAGGIO (moped), PIAGGIO (Spain), RIZZATO

FRONT / REAR

| CROSS REFERENCE | |
|-----------------|----------|
| EBC | 909 |
| NEWFREN | .GF.0152 |
| SBS | SBS2196 |

| EQUIVALENT OE # | |
|-----------------|--------|
| OEM Piaggio | 414497 |

DRAWINGS ARE AVAILABLE IN OUR ELECTRONIC CATALOGUE

FSB911**125.0 x 25.0 mm**

APRILIA, GARELLI, GILERA, MOTO GUZZI, TRE SOLDI

FRONT / REAR

| CROSS REFERENCE | |
|-----------------|------------|
| EBC | 952 |
| NEWFREN | .GF.0200/A |

DRAWINGS ARE AVAILABLE IN OUR ELECTRONIC CATALOGUE

FSB912**150.0 x 18.0 mm**

PIAGGIO (Spain)

REAR

| CROSS REFERENCE | |
|-----------------|----------|
| EBC | 924 |
| NEWFREN | .GF.0215 |

DRAWINGS ARE AVAILABLE IN OUR ELECTRONIC CATALOGUE

FSB913**130.0 x 22.0 mm**

YAMAHA

FRONT

| CROSS REFERENCE | |
|-----------------|----------|
| EBC | 507 |
| NEWFREN | .GF.1162 |
| SBS | SBS2033 |
| VESRAH | VB219 |

| EQUIVALENT OE # | |
|-----------------|--------------|
| OEM Yamaha | 322 W2535 10 |

DRAWINGS ARE AVAILABLE IN OUR ELECTRONIC CATALOGUE

FSB914**110.0 x 25.0 mm**

ITALJET, RAPIDO

FRONT

| CROSS REFERENCE | |
|-----------------|----------|
| EBC | 892 |
| NEWFREN | .GF.0256 |

DRAWINGS ARE AVAILABLE IN OUR ELECTRONIC CATALOGUE

FSB915

104.0 x 20.0 mm

PIAGGIO

FRONT / REAR

| CROSS REFERENCE | |
|-----------------|----------|
| EBC | 896 |
| LUCAS | MCS985 |
| NEWFREN | .GF.0257 |

DRAWINGS ARE AVAILABLE IN OUR ELECTRONIC CATALOGUE

FSB916

138.0 x 25.0 mm

BSA, TRIUMPH

FRONT / REAR

| CROSS REFERENCE | |
|-----------------|----------|
| EBC | 858 |
| NEWFREN | .GF.1075 |

DRAWINGS ARE AVAILABLE IN OUR ELECTRONIC CATALOGUE

FSB917

127.0 x 16.0 mm

BSA

FRONT / REAR

| CROSS REFERENCE | |
|-----------------|----------|
| NEWFREN | .GF.1076 |

DRAWINGS ARE AVAILABLE IN OUR ELECTRONIC CATALOGUE

FSB918

150.0 x 22.0 mm

BSA

FRONT / REAR

| CROSS REFERENCE | |
|-----------------|----------|
| NEWFREN | .GF.1081 |

DRAWINGS ARE AVAILABLE IN OUR ELECTRONIC CATALOGUE

FSB919

180.0 x 25.0 mm

TRIUMPH

FRONT

| CROSS REFERENCE | |
|-----------------|----------|
| EBC | 853 |
| NEWFREN | .GF.1090 |

DRAWINGS ARE AVAILABLE IN OUR ELECTRONIC CATALOGUE

FSB920

200.0 x 30.0 mm

NORTON

FRONT

| CROSS REFERENCE | |
|-----------------|----------|
| EBC | 852 |
| NEWFREN | .GF.1091 |

DRAWINGS ARE AVAILABLE IN OUR ELECTRONIC CATALOGUE

FSB921

200.0 x 40.0 mm

TRIUMPH

REAR

| CROSS REFERENCE | |
|-----------------|----------|
| EBC | 854 |
| NEWFREN | .GF.1092 |

DRAWINGS ARE AVAILABLE IN OUR ELECTRONIC CATALOGUE

FSB922

180.0 x 30.0 mm

NORTON

REAR

| CROSS REFERENCE | |
|-----------------|----------|
| EBC | 851 |
| NEWFREN | .GF.1104 |

DRAWINGS ARE AVAILABLE IN OUR ELECTRONIC CATALOGUE

FSB923

200.0 x 30.0 mm

NORTON

FRONT

| CROSS REFERENCE | |
|-----------------|----------|
| NEWFREN | .GF.1111 |

DRAWINGS ARE AVAILABLE IN OUR ELECTRONIC CATALOGUE

FSB924

180.0 x 28.0 mm

BSA

REAR

| CROSS REFERENCE | |
|-----------------|----------|
| NEWFREN | .GF.1112 |

DRAWINGS ARE AVAILABLE IN OUR ELECTRONIC CATALOGUE

FSB925

160.0 x 30.0 mm

HONDA, HONDA ATV

FRONT

| CROSS REFERENCE | |
|-----------------|----------|
| EBC | 339 |
| NEWFREN | .GF.1212 |
| SBS | SBS2044 |
| VESRAH | VB147 |

DRAWINGS ARE AVAILABLE IN OUR ELECTRONIC CATALOGUE

FSB927

140.0 x 20.0 mm

SUZUKI ATV

FRONT

| CROSS REFERENCE | |
|-----------------|----------|
| EBC | 625 |
| NEWFREN | .GF.1201 |
| SBS | SBS2051 |

DRAWINGS ARE AVAILABLE IN OUR ELECTRONIC CATALOGUE

FSB928**160.0 x 30.0 mm**

YAMAHA ATV

FRONT

| CROSS REFERENCE | |
|-----------------|----------|
| EBC | 520 |
| NEWFREN | .GF.1273 |
| SBS | SBS2114 |

DRAWINGS ARE AVAILABLE IN OUR ELECTRONIC CATALOGUE

FSB929**180.0 x 30.0 mm**

SUZUKI ATV

FRONT

| CROSS REFERENCE | |
|-----------------|----------|
| EBC | 633 |
| NEWFREN | .GF.1302 |

DRAWINGS ARE AVAILABLE IN OUR ELECTRONIC CATALOGUE

FSB931**160.0 x 20.0 mm**

HONDA ATV

FRONT

| CROSS REFERENCE | |
|-----------------|----------|
| EBC | 347 |
| NEWFREN | .GF.1276 |
| SBS | SBS2085 |

DRAWINGS ARE AVAILABLE IN OUR ELECTRONIC CATALOGUE

FSB932**160.0 x 30.0 mm**

KAWASAKI ATV

FRONT

| CROSS REFERENCE | |
|-----------------|----------|
| EBC | 717 |
| NEWFREN | .GF.1274 |
| SBS | SBS2054 |

DRAWINGS ARE AVAILABLE IN OUR ELECTRONIC CATALOGUE

FSB933**160.0 x 25.0 mm**

YAMAHA ATV

FRONT

| CROSS REFERENCE | |
|-----------------|----------|
| EBC | 524 |
| NEWFREN | .GF.1291 |
| SBS | SBS2178 |

DRAWINGS ARE AVAILABLE IN OUR ELECTRONIC CATALOGUE

FSB934**165.0 x 32.0 mm**

KAWASAKI ATV, SUZUKI ATV

FRONT

| CROSS REFERENCE | |
|-----------------|----------|
| EBC | 628 |
| NEWFREN | .GF.1275 |
| SBS | SBS2053 |

| EQUIVALENT OE # | |
|-----------------|-------------|
| OEM Suzuki | 54410 19B10 |

DRAWINGS ARE AVAILABLE IN OUR ELECTRONIC CATALOGUE

FSB935**190.0 x 47.0 mm**

PIAGGIO (motocarri)

FRONT / REAR

| CROSS REFERENCE | |
|-----------------|------------|
| NEWFREN | .GF.0258/9 |

DRAWINGS ARE AVAILABLE IN OUR ELECTRONIC CATALOGUE

FSB936**85.0 x 20.0 mm**

CZ

FRONT

| CROSS REFERENCE | |
|-----------------|----------|
| EBC | 804 |
| LUCAS | MCS920 |
| NEWFREN | .GF.1279 |

DRAWINGS ARE AVAILABLE IN OUR ELECTRONIC CATALOGUE

FSB937**80.0 x 16.0 mm**

PIAGGIO (moped), PUCH

FRONT / REAR

| CROSS REFERENCE | |
|-----------------|----------|
| EBC | 900 |
| NEWFREN | .GF.0260 |

DRAWINGS ARE AVAILABLE IN OUR ELECTRONIC CATALOGUE

FSB938**110.0 x 25.0 mm**

GILERA, PIAGGIO

FRONT / REAR

| CROSS REFERENCE | |
|-----------------|----------|
| EBC | 899 |
| NEWFREN | .GF.0261 |
| SBS | SBS2195 |

| EQUIVALENT OE # | |
|-----------------|---------|
| OEM Aprilia | 56292R |
| OEM Piaggio | 2736235 |
| OEM Piaggio | 2721845 |
| OEM Piaggio | 56292R |

DRAWINGS ARE AVAILABLE IN OUR ELECTRONIC CATALOGUE

FSB939**125.0 x 25.0 mm**

APRILIA

FRONT

| CROSS REFERENCE | |
|-----------------|----------|
| EBC | 805 |
| NEWFREN | .GF.0262 |

DRAWINGS ARE AVAILABLE IN OUR ELECTRONIC CATALOGUE

FSB940**100.0 x 20.0 mm**

GILERA, PIAGGIO

REAR

| CROSS REFERENCE | |
|-----------------|----------|
| EBC | 806 |
| LUCAS | MCS989 |
| NEWFREN | .GF.0263 |
| SBS | SBS2200 |

| EQUIVALENT OE # | |
|-----------------|---------|
| OEM Piaggio | 2727115 |

DRAWINGS ARE AVAILABLE IN OUR ELECTRONIC CATALOGUE

FSB941

110.0 x 25.0 mm

MALAGUTI

REAR

| CROSS REFERENCE | |
|-----------------|----------|
| EBC | 807 |
| NEWFREN | .GF.0264 |

DRAWINGS ARE AVAILABLE IN OUR ELECTRONIC CATALOGUE

FSB942

160.0 x 25.0 mm

HONDA

FRONT

| CROSS REFERENCE | |
|-----------------|----------|
| EBC | 311 |
| NEWFREN | .GF.1209 |
| VESRAH | VB124 |

DRAWINGS ARE AVAILABLE IN OUR ELECTRONIC CATALOGUE

FSB943

180.0 x 30.0 mm

HONDA

FRONT

| CROSS REFERENCE | |
|-----------------|----------|
| EBC | 314 |
| NEWFREN | .GF.1210 |
| SBS | SBS2071 |
| VESRAH | VB119 |

| EQUIVALENT OE # | |
|-----------------|---------------|
| OEM Honda | 45120 286 000 |
| OEM Honda | 45120 369 670 |

DRAWINGS ARE AVAILABLE IN OUR ELECTRONIC CATALOGUE

FSB944

160.0 x 30.0 mm

HONDA ATV

FRONT

| CROSS REFERENCE | |
|-----------------|----------|
| EBC | 342 |
| NEWFREN | .GF.1258 |
| SBS | SBS2045 |

DRAWINGS ARE AVAILABLE IN OUR ELECTRONIC CATALOGUE

FSB945

130.0 x 25.0 mm

HONDA, HONDA ATV

FRONT

| CROSS REFERENCE | |
|-----------------|----------|
| EBC | 345 |
| NEWFREN | .GF.1263 |
| VESRAH | VB152 |

DRAWINGS ARE AVAILABLE IN OUR ELECTRONIC CATALOGUE

FSB946**160.0 x 30.0 mm**

HONDA, HONDA ATV

REAR

| CROSS REFERENCE | |
|-----------------|----------|
| EBC | 351 |
| LUCAS | MCS995 |
| NEWFREN | .GF.1305 |
| SBS | SBS2198 |
| SBS | SBS2207 |
| VESRAH | VB157 |

| EQUIVALENT OE # | |
|-----------------|---------------|
| OEM Honda | 06430 KFG 000 |

DRAWINGS ARE AVAILABLE IN OUR ELECTRONIC CATALOGUE

FSB947**130.0 x 28.0 mm**

APRILIA, BENELLI, ITALJET, KSR MOTO BY GENERIC, MBK, YAMAHA, YAMAHA ATV

FRONT / REAR

| CROSS REFERENCE | |
|-----------------|----------|
| EBC | 527 |
| LUCAS | MCS968 |
| NEWFREN | .GF.1303 |
| SBS | SBS2199 |
| VESRAH | VB239 |

| EQUIVALENT OE # | |
|-----------------|--------------|
| OEM Yamaha | 3LS W253E 00 |

DRAWINGS ARE AVAILABLE IN OUR ELECTRONIC CATALOGUE

FSB948**159.0 x 25.0 mm**

YAMAHA ATV

FRONT / REAR

| CROSS REFERENCE | |
|-----------------|----------|
| EBC | 528 |
| NEWFREN | .GF.1304 |

| EQUIVALENT OE # | |
|-----------------|--------------|
| OEM Yamaha | 4XE WF531 00 |

DRAWINGS ARE AVAILABLE IN OUR ELECTRONIC CATALOGUE

FSB950**200.0 x 40.0 mm**

SUZUKI

FRONT

| CROSS REFERENCE | |
|-----------------|----------|
| EBC | 612 |
| NEWFREN | .GF.1224 |

DRAWINGS ARE AVAILABLE IN OUR ELECTRONIC CATALOGUE

FSB951**150.0 x 18.0 mm**

PIAGGIO

REAR

| CROSS REFERENCE | |
|-----------------|----------|
| EBC | 809 |
| NEWFREN | .GF.0265 |

DRAWINGS ARE AVAILABLE IN OUR ELECTRONIC CATALOGUE

FSB952**105.0 x 22.0 mm**

PIAGGIO, PIAGGIO (moped)

FRONT / REAR

| CROSS REFERENCE | |
|-----------------|----------|
| EBC | 808 |
| NEWFREN | .GF.0266 |

DRAWINGS ARE AVAILABLE IN OUR ELECTRONIC CATALOGUE

FSB953**140.0 x 25.0 mm**

APRILIA, PIAGGIO

REAR

| CROSS REFERENCE | |
|-----------------|----------|
| EBC | 810 |
| NEWFREN | .GF.0267 |
| SBS | SBS2204 |

| EQUIVALENT OE # | |
|-----------------|----------|
| OEM Aprilia | 56294R |
| OEM Aprilia | 56293R |
| OEM Aprilia | CM060402 |
| OEM Piaggio | 82595R |
| OEM Piaggio | 56293R |

DRAWINGS ARE AVAILABLE IN OUR ELECTRONIC CATALOGUE

FSB954**140.0 x 25.0 mm**

APRILIA, GILERA, PIAGGIO

REAR

| CROSS REFERENCE | |
|-----------------|----------|
| EBC | 816 |
| LUCAS | MCS994 |
| NEWFREN | .GF.0268 |
| SBS | SBS2205 |

DRAWINGS ARE AVAILABLE IN OUR ELECTRONIC CATALOGUE

FSB956**130.0 x 20.0 mm**

APRILIA

REAR

| CROSS REFERENCE | |
|-----------------|----------|
| EBC | 817 |
| NEWFREN | .GF.1308 |
| SBS | SBS2201 |

| EQUIVALENT OE # | |
|-----------------|---------|
| OEM Aprilia | 8213424 |

DRAWINGS ARE AVAILABLE IN OUR ELECTRONIC CATALOGUE

FSB957**130.0 x 28.0 mm**

SUZUKI

REAR

| CROSS REFERENCE | |
|-----------------|----------|
| EBC | 635 |
| NEWFREN | .GF.1309 |
| SBS | SBS2202 |

DRAWINGS ARE AVAILABLE IN OUR ELECTRONIC CATALOGUE

FSB958**130.0 x 25.0 mm**

KYMCO, MALAGUTI

REAR

| CROSS REFERENCE | |
|-----------------|----------|
| EBC | 818 |
| NEWFREN | .GF.1310 |
| SBS | SBS2203 |

| EQUIVALENT OE # | |
|-----------------|----------------|
| OEM Kymco | 4312A KUDU 920 |

DRAWINGS ARE AVAILABLE IN OUR ELECTRONIC CATALOGUE

FSB959**150.0 x 30.0 mm**

SYM

REAR

| CROSS REFERENCE | |
|-----------------|----------|
| EBC | 819 |
| NEWFREN | .GF.1311 |

DRAWINGS ARE AVAILABLE IN OUR ELECTRONIC CATALOGUE

FSB960**130.0 x 28.0 mm**

SYM

REAR

| CROSS REFERENCE | |
|-----------------|----------|
| EBC | 820 |
| NEWFREN | .GF.1312 |

DRAWINGS ARE AVAILABLE IN OUR ELECTRONIC CATALOGUE

FSB962**130.0 x 25.0 mm**

PEUGEOT

REAR

| CROSS REFERENCE | |
|-----------------|----------|
| EBC | 857 |
| NEWFREN | .GF.1314 |

DRAWINGS ARE AVAILABLE IN OUR ELECTRONIC CATALOGUE

FSB963**130.0 x 25.0 mm**

HONDA

REAR

| CROSS REFERENCE | |
|-----------------|----------|
| EBC | 352 |
| NEWFREN | .GF.1316 |

| EQUIVALENT OE # | |
|-----------------|---------------|
| OEM Honda | 06430 GBJ K20 |

DRAWINGS ARE AVAILABLE IN OUR ELECTRONIC CATALOGUE

FSB964**130.0 x 28.0 mm**

DAELIM

REAR

| CROSS REFERENCE | |
|-----------------|----------|
| EBC | 824 |
| NEWFREN | .GF.1317 |

DRAWINGS ARE AVAILABLE IN OUR ELECTRONIC CATALOGUE

FSB965

200.0 x 38.0 mm

PIAGGIO (motocarri)

REAR

| CROSS REFERENCE | |
|-----------------|----------|
| NEWFREN | .GF.0269 |

DRAWINGS ARE AVAILABLE IN OUR ELECTRONIC CATALOGUE

FSB966

123.0 x 28.0 mm

ARCTIC CAT ATV, CAN AM ATV, KYMCO ATV, POLARIS ATV, SYM

REAR

| CROSS REFERENCE | |
|-----------------|----------|
| EBC | 307 |
| NEWFREN | .GF.1207 |
| VESRAH | VB123 |

DRAWINGS ARE AVAILABLE IN OUR ELECTRONIC CATALOGUE

FSB967

150.0 x 28.0 mm

YAMAHA

REAR

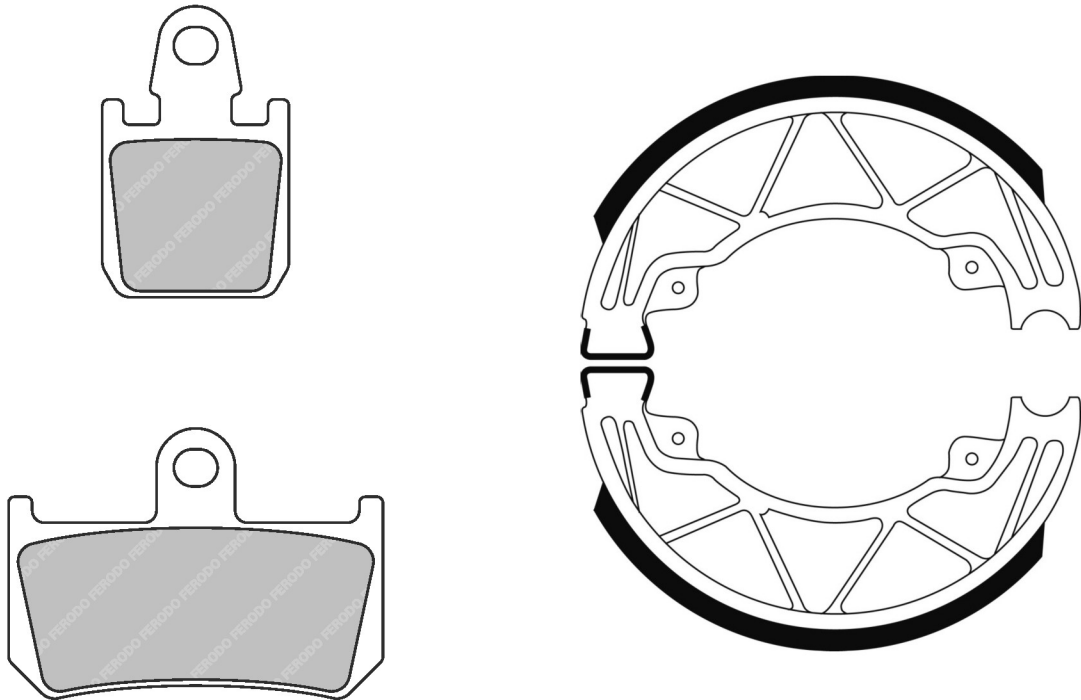
| CROSS REFERENCE | |
|-----------------|----------|
| EBC | 533 |
| NEWFREN | .GF.1318 |

| EQUIVALENT OE # | |
|-----------------|--------------|
| OEM Yamaha | 5ML X2533 00 |

DRAWINGS ARE AVAILABLE IN OUR ELECTRONIC CATALOGUE



MOTORCYCLE PADS



XREF

Competitors to Ferodo

BRAKE PADS X-REF

COMPETITORS TO FERODO

| BRAKING | Ferodo | BREMBO | Ferodo | BREMBO | Ferodo | BREMBO | Ferodo |
|------------|---------|----------|---------|----------|---------|----------|---------|
| 686 | FDB381 | 07GR18 | FDB2266 | 07HO2807 | FDB533 | 07PO07 | FDB2236 |
| 720 | FDB664 | 07GR20 | FDB2262 | 07HO2807 | FDB858 | 07SU0125 | FDB150 |
| 888 | FDB2142 | 07GR2004 | FDB784 | 07HO2911 | FDB496 | 07SU0220 | FDB178 |
| 960 | FDB2265 | 07GR2004 | FDB2100 | 07HO3005 | FDB570 | 07SU0312 | FDB218 |
| 961 | FDB2264 | 07GR2106 | FDB782 | 07HO3405 | FDB570 | 07SU0412 | FDB217 |
| | | 07GR35 | FDB2198 | 07HO3405 | FDB2187 | 07SU0607 | FDB389 |
| | | 07GR49 | FDB2148 | 07HO3405 | FDB2225 | 07SU0707 | FDB390 |
| BREMBO | Ferodo | 07GR50 | FDB2149 | 07HO3509 | FDB663 | 07SU0808 | FDB673 |
| 07.8354.24 | FDB2228 | 07GR50 | FDB2235 | 07HO3607 | FDB754 | 07SU0904 | FDB404 |
| 07.92.8720 | FDB2210 | 07GR5105 | FDB2103 | 07HO3807 | FDB625 | 07SU1005 | FDB437 |
| 07.9340.10 | FDB2122 | 07GR5209 | FDB2184 | 07HO3907 | FDB2002 | 07SU1132 | FDB2013 |
| 07.9340.20 | FDB2170 | 07GR54 | FDB2175 | 07HO4108 | FDB664 | 07SU1215 | FDB497 |
| 07.9340.90 | FDB2171 | 07GR5605 | FDB498 | 07HO4206 | FDB2073 | 07SU1306 | FDB151 |
| 07093 | FDB2264 | 07GR5804 | FDB2109 | 07HO4206 | FDB2098 | 07SU1306 | FDB569 |
| 07BB01.. | FDB207 | 07GR5915 | FDB155 | 07HO4507 | FDB2079 | 07SU1407 | FDB557 |
| 07BB0210 | FDB2005 | 07GR6207 | FDB2124 | 07HO4507 | FDB2114 | 07SU1509 | FDB606 |
| 07BB0311 | FDB2006 | 07GR6610 | FDB342 | 07HO4905 | FDB2143 | 07SU1718 | FDB607 |
| 07BB0410 | FDB2018 | 07GR68 | FDB2145 | 07HO50 | FDB2181 | 07SU1907 | FDB873 |
| 07BB0410 | FDB2039 | 07GR69 | FDB2157 | 07HO50 | FDB2205 | 07SU1907 | FDB2144 |
| 07BB0510 | FDB2120 | 07GR70 | FDB2183 | 07HO55 | FDB2182 | 07SU2007 | FDB2058 |
| 07BB0510 | FDB2215 | 07GR72 | FDB2201 | 07HO5606 | FDB2169 | 07SU26 | FDB2164 |
| 07BB0606 | FDB592 | 07GR76 | FDB2244 | 07HO57 | FDB2196 | 07SU26 | FDB2203 |
| 07BB0708 | FDB731 | 07GR7707 | FDB2216 | 07HO58 | FDB2195 | 07SU27 | FDB2178 |
| 07BB0810 | FDB2062 | 07HD0105 | FDB185 | 07HO59 | FDB2221 | 07SU27 | FDB2204 |
| 07BB0907 | FDB499 | 07HD0202 | FDB333 | 07HP48SD | FDB2139 | 07SU2906 | FDB2016 |
| 07BB1205 | FRP405 | 07HD0303 | FDB334 | 07KA0122 | FDB132 | 07SU30 | FDB2163 |
| 07BB1205 | FDB2107 | 07HD0413 | FDB335 | 07KA0223 | FDB181 | 07SU31 | FDB2197 |
| 07BB1310 | FDB694 | 07HD0614 | FDB352 | 07KA0414 | FDB220 | 07SU32 | FDB2213 |
| 07BB1410 | FDB108 | 07HD0810 | FDB485 | 07KA0506 | FDB299 | 07YA0309 | FDB177 |
| 07BB1410 | FDB148 | 07HD1011 | FDB2001 | 07KA0608 | FDB298 | 07YA0413 | FDB247 |
| 07BB1507 | FRP408 | 07HD1109 | FDB847 | 07KA0717 | FDB313 | 07YA0713 | FDB184 |
| 07BB1606 | FDB529 | 07HD1210 | FDB2097 | 07KA0808 | FDB339 | 07YA0809 | FDB277 |
| 07BB1710 | FDB680 | 07HD13 | FDB2179 | 07KA0933 | FDB481 | 07YA1011 | FDB311 |
| 07BB1810 | FDB2081 | 07HD14 | FDB2180 | 07KA1016 | FDB494 | 07YA1107 | FDB337 |
| 07BB1910 | FDB2042 | 07HD16 | FDB2202 | 07KA1117 | FDB508 | 07YA1207 | FDB386 |
| 07BB2010 | FDB2074 | 07HO0130 | FDB119 | 07KA1207 | FDB659 | 07YA1305 | FDB411 |
| 07BB2107 | FDB736 | 07HO0307 | FDB182 | 07KA1306 | FDB574 | 07YA1407 | FDB383 |
| 07BB22107 | FDB2127 | 07HO0411 | FDB134 | 07KA1406 | FDB741 | 07YA1407 | FDB475 |
| 07BB2307 | FDB204 | 07HO0712 | FDB183 | 07KA1617 | FDB2012 | 07YA1519 | FDB2014 |
| 07BB2407 | FDB2127 | 07HO0906 | FDB250 | 07KA1705 | FDB892 | 07YA1605 | FDB2015 |
| 07BB2507 | FDB2102 | 07HO1010 | FDB244 | 07KA1807 | FDB2049 | 07YA1711 | FDB449 |
| 07BB2607 | FDB2125 | 07HO1010 | FDB665 | 07KA1907 | FDB2048 | 07YA1809 | FDB583 |
| 07BB2750 | FDB2165 | 07HO1118 | FDB313 | 07KA20RC | FDB2036 | 07YA1909 | FDB591 |
| 07BB3050 | FDB2218 | 07HO1304 | FDB312 | 07KA2107 | FDB2111 | 07YA2008 | FDB631 |
| 07BM2207 | FDB2050 | 07HO1406 | FDB310 | 07KA22SD | FDB2080 | 07YA2307 | FDB605 |
| 07BM2407 | FDB2050 | 07HO1505 | FDB382 | 07KA2305 | FDB2158 | 07YA2409 | FDB666 |
| 07GR0101 | FDB213 | 07HO1708 | FDB310 | 07KA25 | FDB2188 | 07YA2508 | FDB737 |
| 07GR0204 | FDB205 | 07HO1807 | FDB538 | 07KA27SD | FDB2110 | 07YA2609 | FDB637 |
| 07GR0305 | FDB438 | 07HO2002 | FDB381 | 07KA28 | FDB2220 | 07YA2709 | FDB781 |
| 07GR0307 | FDB2060 | 07HO2107 | FDB462 | 07KS0432 | FDB314 | 07YA2905 | FDB889 |
| 07GR0416 | FDB828 | 07HO2107 | FDB2113 | 07KS0507 | FDB338 | 07YA3006 | FDB636 |
| 07GR0501 | FDB436 | 07HO2202 | FDB661 | 07PO02SD | FDB2055 | 07YA3108 | FDB865 |
| 07GR0601 | FDB697 | 07HO23RR | FDB452 | 07PO03SD | FDB2054 | 07YA3208 | FDB864 |
| 07GR0705 | FDB698 | 07HO2506 | FDB495 | 07PO04 | FDB2121 | 07YA3408 | FDB2003 |
| 07GR1001 | FDB696 | 07HO2608 | FDB539 | 07PO05 | FDB2177 | 07YA3507 | FDB662 |
| 07GR1101 | FDB695 | 07HO2711 | FDB531 | 07PO06 | FDB2176 | 07YA3807 | FDB2084 |
| 07GR1305 | FDB624 | | | | | | |
| 07GR1406 | FDB706 | | | | | | |

BRAKE PADS X-REF

COMPETITORS TO FERODO

| BREMBO | Ferodo | BREMBO | Ferodo | CL BRAKES | Ferodo | CL BRAKES | Ferodo |
|-----------------|---------|---------------|---------|-----------|---------|-----------|---------|
| 07YA3908 | FDB2156 | M028Z04 (Z04) | FDB2007 | 2249 | FDB2081 | 2342 | FDB485 |
| 07YA4007 | FDB2150 | | | 2251 | FDB574 | 2352 | FDB2018 |
| 07YA41 | FDB2162 | CL BRAKES | Ferodo | 2252 | FDB462 | 2353 | FDB2005 |
| 07YA45 | FDB2193 | 1033 | FDB2120 | 2252 | FDB2113 | 2360 | FDB737 |
| 07YA46 | FDB2217 | 1033 | FDB2215 | 2253 | FDB662 | 2361 | FDB605 |
| 07YA47 | FDB2219 | 1034 | FDB2110 | 2254 | FDB864 | 2362 | FDB865 |
| 07YA48 | FDB2230 | 1066 | FDB2150 | 2255 | FDB873 | 2363 | FDB741 |
| 07YA49 | FDB2231 | 1067 | FDB2143 | 2255 | FDB2144 | 2369 | FDB847 |
| 07YA50 | FDB2232 | 1075 | FDB2166 | 2256 | FDB570 | 2370 | FDB2001 |
| 07YA51 | FDB2233 | 1076 | FDB2139 | 2256 | FDB2187 | 2377 | FRP405 |
| 107268641 | FRP416 | 1078 | FDB2157 | 2257 | FDB2002 | 2377 | FDB2107 |
| 107684820 (Z01) | FDB2007 | 1083 | FDB2158 | 2258 | FDB736 | 2381 | FDB2012 |
| 7004 | FDB2074 | 1084 | FDB2126 | 2260 | FDB784 | 2382 | FDB244 |
| 7005 | FDB2190 | 1084 | FDB2156 | 2260 | FDB2100 | 2382 | FDB538 |
| 7010 | FDB783 | 1101 | FDB2125 | 2269 | FDB2194 | 2383 | FDB2048 |
| 7011 | FDB672 | 1102 | FDB2149 | 2280 | FDB151 | 2384 | FDB2049 |
| 7012 | FDB677 | 1102 | FDB2235 | 2280 | FDB389 | 2385 | FDB496 |
| 7012 | FDB2106 | 1103 | FDB2162 | 2281 | FDB569 | 2386 | FDB673 |
| 7016 | FDB2101 | 1108 | FDB2165 | 2282 | FDB183 | 2387 | FDB404 |
| 7017 | FDB2037 | 1110 | FDB2164 | 2282 | FDB338 | 2388 | FDB607 |
| 7018 | FDB2191 | 1110 | FDB2203 | 2283 | FDB337 | 2389 | FDB508 |
| 7019 | FDB2056 | 1128 | FDB2183 | 2284 | FDB383 | 2390 | FDB2058 |
| 7019 | FDB2057 | 1133 | FDB2178 | 2284 | FDB475 | 2391 | FDB781 |
| 7020 | FDB2090 | 1133 | FDB2204 | 2285 | FDB339 | 2392 | FDB591 |
| 7021 | FDB2095 | 1134 | FDB2181 | 2287 | FDB2192 | 2393 | FDB583 |
| 7022 | FDB2096 | 1134 | FDB2205 | 2288 | FDB497 | 2396 | FDB2006 |
| 7023 | FDB2129 | 1139 | FDB2145 | 2289 | FDB665 | 2398 | FDB498 |
| 7031 | FDB2192 | 1140 | FDB2182 | 2296 | FDB754 | 2400 | FDB499 |
| 7033 | FDB2087 | 1142 | FDB2188 | 2298 | FDB531 | 2404 | FDB2036 |
| 7034 | FDB2075 | 1144 | FDB706 | 2299 | FDB659 | 2408 | FDB250 |
| 7036 | FDB2133 | 1145 | FDB2163 | 2300 | FDB495 | 2408 | FDB625 |
| 7037 | FDB2085 | 1146 | FDB2106 | 2300 | FDB892 | 2424 | FDB2015 |
| 7038 | FDB2086 | 1147 | FDB2184 | 2301 | FDB386 | 2430 | FDB2050 |
| 7038 | FDB2119 | 1148 | FDB2169 | 2302 | FDB495 | 2451 | FDB382 |
| 7043 | FDB2083 | 1149 | FDB2179 | 2303 | FDB2050 | 2457 | FDB438 |
| 7045 | FDB2105 | 1150 | FDB2180 | 2304 | FDB481 | 2466 | FDB731 |
| 7047 | FDB2115 | 1151 | FDB2141 | 2305 | FDB449 | 2469 | FDB313 |
| 7048 | FDB2128 | 1152 | FDB2197 | 2306 | FDB314 | 2470 | FDB2008 |
| 7050 | FDB2141 | 1153 | FDB2096 | 2307 | FDB680 | 2472 | FDB828 |
| 7051 | FDB2140 | 1159 | FDB2196 | 2307 | FDB889 | 2539 | FDB2042 |
| 7052 | FDB2126 | 1159 | FDB2211 | 2308 | FDB606 | 2539 | FDB2099 |
| 7053 | FDB2130 | 1163 | FDB2213 | 2309 | FDB637 | 2546 | FDB2003 |
| 7054 | FDB2147 | 1165 | FDB2176 | 2310 | FDB452 | 2586 | FDB887 |
| 7055 | FDB2132 | 1172 | FDB2210 | 2311 | FDB449 | 2599 | FDB185 |
| 7056 | FDB2142 | 1174 | FDB2221 | 2311 | FDB666 | 2602 | FDB2073 |
| 7057 | FDB2146 | 1175 | FDB2085 | 2313 | FDB570 | 2602 | FDB2075 |
| 7058 | FDB2173 | 1177 | FDB2220 | 2313 | FDB664 | 2602 | FDB2098 |
| 7059 | FDB2200 | 1180 | FDB2217 | 2314 | FDB539 | 2621 | FDB312 |
| 7060 | FDB2186 | 1185 | FDB2218 | 2314 | FDB672 | 2694 | FDB218 |
| 7061 | FDB2207 | 1187 | FDB2216 | 2326 | FDB631 | 2696 | FDB636 |
| 7062 | FDB2108 | 2245 | FDB533 | 2328 | FDB381 | 2699 | FDB352 |
| 7063 | FDB2211 | 2245 | FDB858 | 2328 | FDB661 | 2700 | FDB333 |
| 7064 | FDB2212 | 2246 | FDB557 | 2329 | FDB2007 | 2701 | FDB335 |
| 7065 | FDB2208 | 2247 | FRP408 | 2329 | FDB2123 | 2711 | FDB2079 |
| 7068 | FDB2224 | 2248 | FDB663 | 2332 | FDB108 | 2711 | FDB2114 |
| 7069 | FDB2226 | 2249 | FDB207 | 2332 | FDB148 | 2713 | FDB2084 |

BRAKE PADS X-REF

COMPETITORS TO FERODO

| CL BRAKES | Ferodo | CL BRAKES | Ferodo | EBC | Ferodo | EBC | Ferodo |
|-----------|---------|-----------|---------|---------|---------|---------|---------|
| 2718 | FDB334 | 3033 | FDB2083 | FA063 | FDB338 | FA129 | FDB481 |
| 2720 | FDB2167 | 3034 | FDB436 | FA065 | FDB217 | FA130 | FDB494 |
| 2750 | FDB2080 | 3036 | FDB631 | FA066 | FDB299 | FA131 | FDB539 |
| 2792 | FDB411 | 3037 | FDB694 | FA067 | FDB314 | FA131/2 | FDB783 |
| 2794 | FDB438 | 3038 | FDB625 | FA067/2 | FDB731 | FA131/3 | FDB672 |
| 2799 | FDB2013 | 3041 | FDB2101 | FA068 | FDB298 | FA134 | FDB499 |
| 2801 | FDB592 | 3043 | FDB2056 | FA068 | FDB299 | FA135 | FDB497 |
| 2802 | FDB311 | 3044 | FDB2057 | FA069 | FDB244 | FA136 | FDB591 |
| 2807 | FDB277 | 3047 | FDB2191 | FA069/2 | FDB538 | FA137 | FDB2016 |
| 2813 | FDB2111 | 3049 | FDB2085 | FA069/3 | FDB665 | FA138 | FDB485 |
| 2814 | FDB182 | 3054 | FDB2115 | FA070 | FDB277 | FA139 | FDB2001 |
| 2827 | FDB2074 | 3056 | FDB2105 | FA071 | FDB333 | FA140 | FDB531 |
| 2828 | FDB2083 | 3060 | FDB2142 | FA072 | FDB334 | FA141 | FDB508 |
| 2840 | FDB204 | 3066 | FDB2173 | FA073 | FDB132 | FA142 | FDB570 |
| 2847 | FDB177 | 3074 | FDB2132 | FA074 | FDB695 | FA142 | FDB2187 |
| 2899 | FDB2036 | 3075 | FDB2200 | FA076 | FDB205 | FA142 | FDB2225 |
| 2900 | FDB2039 | 3083 | FDB2212 | FA077 | FDB204 | FA143 | FDB496 |
| 2914 | FDB2133 | | | FA078 | FDB335 | FA145 | FDB557 |
| 2919 | FDB2034 | DP BRAKE | Ferodo | FA080/2 | FDB310 | FA146 | FDB569 |
| 2920 | FDB2033 | DP514 | FDB2262 | FA081 | FDB311 | FA147 | FDB606 |
| 2923 | FDB2148 | | | FA083 | FDB313 | FA151 | FDB2192 |
| 2924 | FDB2054 | DUNLOPAD | Ferodo | FA084 | FDB381 | FA152 | FDB659 |
| 2925 | FDB2121 | 962 | FDB2210 | FA084/3 | FDB661 | FA155 | FDB2017 |
| 2926 | FDB2175 | DP843 | FDB2017 | FA085 | FDB339 | FA157 | FDB607 |
| 2927 | FDB2055 | DP987 | FDB2251 | FA086 | FDB312 | FA158 | FDB574 |
| 2958 | FDB2097 | | | FA088 | FDB337 | FA159 | FDB2055 |
| 2959 | FRP213 | EBC | Ferodo | FA093 | FDB384 | FA160 | FDB666 |
| 2960 | FDB2124 | FA013 | FDB119 | FA094 | FDB352 | FA161 | FDB338 |
| 2961 | FDB557 | FA016 | FRP213 | FA095 | FRP408 | FA162 | FDB2194 |
| 2987 | FDB2102 | FA016 | FDB342 | FA098 | FDB696 | FA163 | FDB529 |
| 3004 | FDB697 | FA018 | FDB108 | FA099 | FDB436 | FA165 | FDB631 |
| 3005 | FDB784 | FA018 | FDB148 | FA101 | FDB383 | FA167 | FDB706 |
| 3005 | FDB2100 | FA021 | FDB2014 | FA101 | FDB475 | FA168 | FDB605 |
| 3008 | FDB383 | FA022 | FDB155 | FA102 | FDB390 | FA169 | FDB636 |
| 3011 | FDB244 | FA024/2 | FDB185 | FA103 | FDB389 | FA170 | FDB2050 |
| 3012 | FDB828 | FA027 | FDB88 | FA104 | FDB386 | FA171 | FDB736 |
| 3013 | FDB680 | FA030 | FDB182 | FA105 | FDB411 | FA172 | FDB737 |
| 3014 | FDB672 | FA032 | FDB134 | FA106 | FDB404 | FA173 | FDB828 |
| 3015 | FRP405 | FA033 | FDB132 | FA106/2 | FDB673 | FA174 | FDB754 |
| 3016 | FRP405 | FA034 | FDB177 | FA107A | FRP410 | FA175 | FRP415 |
| 3017 | FDB538 | FA035 | FDB150 | FA110 | FDB437 | FA177 | FDB782 |
| 3018 | FDB625 | FA036 | FDB151 | FA113 | FDB438 | FA178 | FDB625 |
| 3019 | FDB382 | FA037 | FDB181 | FA115 | FRP405 | FA179 | FDB781 |
| 3019 | FDB2119 | FA038 | FDB178 | FA116 | FDB697 | FA180 | FDB741 |
| 3020 | FDB2060 | FA041 | FDB184 | FA118 | FDB583 | FA181 | FDB2018 |
| 3021 | FDB438 | FA045 | FDB183 | FA119 | FDB2015 | FA182 | FDB637 |
| 3022 | FDB313 | FA047 | FDB207 | FA120 | FDB592 | FA185 | FDB892 |
| 3023 | FDB313 | FA047/3 | FRP416 | FA121 | FDB462 | FA186 | FDB784 |
| 3024 | FDB828 | FA047/3 | FDB2081 | FA123 | FDB449 | FA187 | FDB533 |
| 3025 | FDB2003 | FA050 | FDB213 | FA123 | FDB662 | FA187 | FDB858 |
| 3026 | FDB2073 | FA051 | FDB218 | FA124 | FDB452 | FA188 | FDB873 |
| 3027 | FDB2062 | FA054 | FDB250 | FA124/2 | FDB663 | FA188 | FDB2144 |
| 3029 | FDB636 | FA060 | FDB624 | FA125 | FDB495 | FA189 | FDB2002 |
| 3030 | FDB636 | FA060 | FDB694 | FA126 | FDB498 | FA190 | FDB864 |
| 3031 | FDB677 | FA061 | FDB247 | FA127 | FDB624 | FA191 | FDB865 |
| 3032 | FDB677 | FA062 | FDB220 | FA128 | FDB2013 | FA192 | FDB2012 |

BRAKE PADS X-REF

COMPETITORS TO FERODO

| EBC | Ferodo | EBC | Ferodo | EBC | Ferodo | EBC | Ferodo |
|---------|---------|---------|---------|-----------|---------|-----------|---------|
| FA193 | FDB680 | FA265 | FDB2079 | FA363 | FDB2039 | FA450 | FDB2219 |
| FA194 | FDB677 | FA266 | FDB2074 | FA366 | FDB2163 | FA452 | FDB2263 |
| FA194 | FDB2106 | FA267 | FDB2084 | FA367 | FDB2162 | FA454/4 | FDB2240 |
| FA196 | FDB570 | FA268 | FDB2062 | FA367/2 | FDB2206 | FA457 | FDB2250 |
| FA196 | FDB664 | FA270 | FDB2121 | FA368 | FDB2165 | FA458 | FDB2251 |
| FA197 | FDB2087 | FA271 | FDB2175 | FA369/4 | FDB2164 | FA464 | FDB2238 |
| FA199 | FDB2003 | FA275 | FDB2083 | FA369/4 | FDB2203 | FA465 | FDB2242 |
| FA200 | FDB2001 | FA281 | FDB2075 | FA373 | FDB2182 | FA468 | FDB2271 |
| FA201 | FDB485 | FA283 | FDB2085 | FA374 | FDB2147 | FA475 | FDB2276 |
| FA202 | FDB497 | FA291 | FDB2103 | FA375 | FDB2169 | FA488 | FDB2253 |
| FA203 | FDB2113 | FA294 | FDB2124 | FA377 | FDB2184 | FA491 | FDB2252 |
| FA206 | FDB889 | FA296 | FDB2114 | FA379 | FDB2178 | FA495 | FDB2267 |
| FA208 | FDB2005 | FA296HH | FDB2114 | FA379 | FDB2204 | FA496 | FDB2258 |
| FA209 | FDB2006 | FA297 | FDB2129 | FA380HH | FDB605 | FA499/4HH | FDB2259 |
| FA209/2 | FDB2006 | FA298 | FDB2090 | FA381 | FDB2179 | FA602 | FDB2257 |
| FA210 | FDB847 | FA299 | FDB2097 | FA382 | FDB828 | FA603 | FDB2256 |
| FA211 | FDB2008 | FA301 | FDB2095 | FA387 | FDB2180 | FA604/4 | FDB2255 |
| FA213 | FDB2005 | FA302 | FDB2110 | FA388 | FDB2196 | FA606 | FDB2266 |
| FA214 | FDB497 | FA303 | FDB2109 | FA388 | FDB2211 | FA612 | FDB2262 |
| FA216/2 | FDB2041 | FA304 | FDB2102 | FA390 | FDB2181 | FA613 | FDB2124 |
| FA216/3 | FDB2040 | FA305 | FDB2096 | FA390 | FDB2205 | FA617 | FDB2273 |
| FA218 | FDB2007 | FA306 | FDB2108 | FA393 | FDB2224 | FA618 | FDB2274 |
| FA218/2 | FDB2123 | FA307 | FDB2148 | FA396 | FDB2133 | FA629 | FDB2275 |
| FA222 | FDB2058 | FA313 | FDB2177 | FA398 | FDB2272 | GFA263 | FDB2167 |
| FA226 | FDB664 | FA314 | FDB2176 | FA399 | FDB2201 | GFA611HH | FDB2228 |
| FA228 | FDB497 | FA317 | FDB2149 | FA400 | FDB2097 | MXS405 | FDB2245 |
| FA229 | FDB2048 | FA319 | FDB2126 | FA400 | FDB2202 | SFA131/2 | FDB783 |
| FA230 | FDB2133 | FA319/2 | FDB2156 | FA401 | FDB2197 | SFA131/3 | FDB672 |
| FA231 | FDB2049 | FA320 | FDB2198 | FA405 | FDB2245 | SFA169 | FDB636 |
| FA232 | FDB2054 | FA321 | FDB2115 | FA407 | FDB2050 | SFA186 | FDB784 |
| FA233 | FDB672 | FA322 | FDB2120 | FA408 | FDB2200 | SFA193 | FDB680 |
| FA234 | FDB2101 | FA322 | FDB2215 | FA409 | FDB2210 | SFA193 | FDB889 |
| FA235 | FDB2191 | FA322/4 | FDB2120 | FA410 | FDB2195 | SFA233 | FDB672 |
| FA236 | FDB557 | FA323 | FDB2119 | FA411 | FDB2132 | SFA234 | FDB2101 |
| FA237 | FDB2048 | FA323/2 | FDB382 | FA412 | FDB2173 | SFA235 | FDB2191 |
| FA239 | FDB858 | FA323/3 | FDB2086 | FA413 | FDB2148 | SFA255 | FDB2037 |
| FA244 | FDB2042 | FA324 | FDB2105 | FA414 | FDB2149 | SFA257 | FDB625 |
| FA244 | FDB2099 | FA325 | FDB2183 | FA415 | FDB2212 | SFA260 | FDB2056 |
| FA245 | FDB2018 | FA335 | FDB2125 | FA417/4 | FDB2220 | SFA260 | FDB2057 |
| FA246 | FDB2050 | FA342 | FDB2188 | FA418 | FDB2186 | SFA264 | FDB2190 |
| FA249 | FDB2036 | FA343 | FDB2143 | FA419 | FDB2213 | SFA268 | FDB2062 |
| FA251 | FDB314 | FA344 | FDB2193 | FA423/4HH | FDB2085 | SFA281 | FDB2075 |
| FA252 | FDB605 | FA345 | FDB2145 | FA425 | FDB2207 | SFA283 | FDB2085 |
| FA254 | FDB2111 | FA346 | FDB2139 | FA426 | FDB2185 | SFA301 | FDB2095 |
| FA255 | FDB2037 | FA347 | FDB2158 | FA427 | FDB2226 | SFA306 | FDB2108 |
| FA256 | FDB438 | FA348 | FDB2150 | FA428 | FDB2235 | SFA319 | FDB2126 |
| FA256 | FDB2060 | FA350 | FDB2128 | FA432 | FDB2216 | SFA321 | FDB2115 |
| FA256 | FDB2146 | FA351 | FDB2127 | FA433/4 | FDB2244 | SFA323/2 | FDB382 |
| FA257 | FDB625 | FA353 | FDB2142 | FA435/4 | FDB2166 | SFA323/3 | FDB2086 |
| FA258 | FDB2080 | FA354 | FDB2236 | FA436 | FDB2221 | SFA324 | FDB2105 |
| FA259 | FDB2049 | FA355 | FDB2141 | FA442 | FDB2217 | SFA353 | FDB2142 |
| FA260 | FDB2056 | FA356 | FDB2140 | FA443 | FDB2231 | SFA356 | FDB2140 |
| FA260 | FDB2057 | FA357 | FDB2157 | FA444 | FDB2230 | SFA358 | FDB2130 |
| FA261 | FDB2073 | FA358 | FDB2130 | FA445 | FDB2233 | SFA393 | FDB2224 |
| FA261 | FDB2098 | FA361 | FDB2033 | FA446 | FDB2232 | SFA408 | FDB2200 |
| FA264 | FDB2190 | FA362 | FDB2034 | FA447 | FDB2218 | SFA411 | FDB2132 |

BRAKE PADS X-REF

COMPETITORS TO FERODO

| EBC | Ferodo | GALFER | Ferodo | GALFER | Ferodo | GALFER | Ferodo |
|--------|---------|--------|---------|--------|---------|--------|---------|
| SFA415 | FDB2212 | FD 078 | FDB151 | FD 142 | FDB781 | FD 220 | FDB2074 |
| SFA418 | FDB2186 | FD 079 | FDB383 | FD 143 | FDB637 | FD 221 | FDB2154 |
| SFA425 | FDB2207 | FD 079 | FDB475 | FD 144 | FDB539 | FD 222 | FDB2085 |
| SFA430 | FDB2208 | FD 080 | FDB411 | FD 144 | FDB672 | FD 223 | FDB2109 |
| SFA492 | FDB2264 | FD 081 | FDB437 | FD 145 | FDB2087 | FD 225 | FDB2103 |
| SFA498 | FDB2248 | FD 082 | FDB663 | FD 147 | FDB783 | FD 228 | FDB2090 |
| SFA603 | FDB2256 | FD 083 | FDB390 | FD 148 | FDB533 | FD 232 | FDB2081 |
| SFA607 | FDB2226 | FD 084 | FDB697 | FD 148 | FDB858 | FD 234 | FDB2095 |
| | | FD 085 | FDB498 | FD 149 | FDB625 | FD 235 | FDB2097 |
| | | FD 086 | FDB497 | FD 152 | FDB784 | FD 245 | FDB2105 |
| GALFER | Ferodo | FD 087 | FDB449 | FD 152 | FDB2100 | FD 246 | FDB2036 |
| FD 005 | FDB119 | FD 089 | FDB499 | FD 153 | FDB680 | FD 251 | FDB2102 |
| FD 008 | FDB342 | FD 090 | FDB481 | FD 154 | FDB865 | FD 252 | FDB384 |
| FD 012 | FDB207 | FD 091 | FDB494 | FD 155 | FDB2002 | FD 254 | FDB2110 |
| FD 013 | FDB108 | FD 092 | FDB495 | FD 156 | FDB873 | FD 259 | FDB2169 |
| FD 013 | FDB148 | FD 093 | FDB539 | FD 156 | FDB2144 | FD 260 | FDB2126 |
| FD 014 | FDB132 | FD 094 | FDB313 | FD 157 | FDB864 | FD 261 | FDB2096 |
| FD 016 | FDB182 | FD 095 | FDB250 | FD 160 | FRP415 | FD 265 | FDB2157 |
| FD 017 | FDB177 | FD 096 | FDB462 | FD 162 | FDB677 | FD 267 | FDB2111 |
| FD 019 | FDB185 | FD 096 | FDB2113 | FD 163 | FDB2194 | FD 270 | FDB2128 |
| FD 025 | FDB134 | FD 097 | FDB2015 | FD 164 | FDB892 | FD 271 | FDB2125 |
| FD 028 | FDB205 | FD 098 | FDB592 | FD 165 | FDB2005 | FD 272 | FDB2124 |
| FD 031 | FDB213 | FD 099 | FDB557 | FD 166 | FDB2101 | FD 275 | FDB2141 |
| FD 035 | FDB150 | FD 100 | FDB533 | FD 167 | FDB2012 | FD 276 | FDB2140 |
| FD 036 | FDB155 | FD 101 | FDB606 | FD 168 | FDB2007 | FD 277 | FDB2142 |
| FD 038 | FDB178 | FD 103 | FDB531 | FD 169 | FDB2003 | FD 278 | FDB2139 |
| FD 044 | FDB204 | FD 104 | FDB508 | FD 170 | FDB889 | FD 284 | FDB2119 |
| FD 045 | FDB183 | FD 107 | FDB574 | FD 171 | FDB889 | FD 286 | FDB2162 |
| FD 046 | FDB218 | FD 108 | FDB570 | FD 172 | FDB2006 | FD 290 | FDB2164 |
| FD 047 | FDB217 | FD 110 | FDB496 | FD 174 | FDB2048 | FD 290 | FDB2203 |
| FD 048 | FDB694 | FD 111 | FDB338 | FD 175 | FDB2191 | FD 291 | FDB2165 |
| FD 051 | FDB277 | FD 112 | FDB664 | FD 176 | FDB2042 | FD 295 | FDB2156 |
| FD 052 | FDB299 | FD 113 | FDB2192 | FD 177 | FDB2133 | FD 296 | FDB2189 |
| FD 054 | FDB244 | FD 114 | FDB659 | FD 178 | FDB605 | FD 297 | FDB677 |
| FD 054 | FDB665 | FD 116 | FDB695 | FD 179 | FDB2049 | FD 298 | FDB2169 |
| FD 056 | FDB311 | FD 117 | FDB631 | FD 181 | FDB2171 | FD 299 | FDB661 |
| FD 057 | FDB337 | FD 118 | FDB498 | FD 186 | FDB2039 | FD 300 | FDB2054 |
| FD 058 | FDB333 | FD 119 | FDB529 | FD 187 | FDB2087 | FD 302 | FDB2175 |
| FD 059 | FDB334 | FD 120 | FDB607 | FD 188 | FDB2190 | FD 303 | FDB2055 |
| FD 060 | FDB310 | FD 121 | FDB666 | FD 189 | FDB2058 | FD 315 | FDB2148 |
| FD 062 | FDB339 | FD 124 | FDB352 | FD 190 | FRP416 | FD 319 | FDB2188 |
| FD 063 | FDB382 | FD 125 | FDB485 | FD 195 | FDB2060 | FD 321 | FDB2080 |
| FD 064 | FDB335 | FD 126 | FDB2001 | FD 197 | FDB2037 | FD 325 | FDB2178 |
| FD 065 | FRP405 | FD 127 | FDB591 | FD 198 | FDB2050 | FD 325 | FDB2204 |
| FD 065 | FDB2107 | FD 129 | FDB737 | FD 198 | FDB2127 | FD 326 | FDB2181 |
| FD 066 | FDB389 | FD 131 | FDB2050 | FD 200 | FDB2057 | FD 326 | FDB2205 |
| FD 067 | FDB184 | FD 132 | FDB782 | FD 204 | FDB2080 | FD 329 | FDB2150 |
| FD 068 | FRP408 | FD 133 | FDB706 | FD 205 | FDB2073 | FD 331 | FDB2158 |
| FD 069 | FDB386 | FD 134 | FDB754 | FD 205 | FDB2098 | | |
| FD 070 | FDB673 | FD 135 | FDB828 | FD 206 | FDB2062 | LUCAS | Ferodo |
| FD 071 | FDB436 | FD 136 | FDB636 | FD 207 | FDB2075 | MCB17 | FDB155 |
| FD 072 | FDB583 | FD 137 | FDB736 | FD 209 | FDB404 | MCB35 | FDB119 |
| FD 073 | FDB312 | FD 138 | FDB2018 | FD 214 | FDB2083 | MCB51 | FDB217 |
| FD 074 | FDB438 | FD 140 | FDB570 | FD 218 | FDB2084 | MCB512 | FDB244 |
| FD 075 | FDB314 | FD 140 | FDB2187 | FD 219 | FDB2079 | MCB512 | FDB665 |
| FD 076 | FDB381 | FD 141 | FDB741 | FD 219 | FDB2114 | MCB515 | FDB299 |
| FD 077 | FDB247 | | | | | | |

BRAKE PADS X-REF

COMPETITORS TO FERODO

| LUCAS | Ferodo | LUCAS | Ferodo | LUCAS | Ferodo | NEWFREN | Ferodo |
|----------|---------|----------|---------|----------|---------|----------|---------|
| MCB516 | FDB298 | MCB595 | FDB557 | MCB731 | FDB2156 | .FD.0036 | FDB155 |
| MCB518LF | FDB334 | MCB597 | FDB606 | MCB736 | FDB2124 | .FD.0038 | FDB178 |
| MCB52 | FDB184 | MCB611 | FDB605 | MCB737 | FDB2158 | .FD.0044 | FDB204 |
| MCB521 | FDB277 | MCB612LF | FDB607 | MCB738LF | FDB2143 | .FD.0045 | FDB183 |
| MCB523 | FDB314 | MCB617 | FDB736 | MCB739 | FDB2162 | .FD.0046 | FDB218 |
| MCB523 | FDB384 | MCB618 | FDB529 | MCB740 | FDB2157 | .FD.0047 | FDB217 |
| MCB524 | FDB311 | MCB62 | FDB574 | MCB740 | FDB2163 | .FD.0048 | FDB694 |
| MCB527LF | FDB335 | MCB622 | FDB666 | MCB742 | FDB2164 | .FD.0049 | FDB695 |
| MCB53 | FDB247 | MCB624 | FDB663 | MCB742 | FDB2203 | .FD.0051 | FDB277 |
| MCB53 | FDB337 | MCB626 | FDB2018 | MCB743 | FDB2165 | .FD.0052 | FDB299 |
| MCB531 | FDB338 | MCB627 | FDB737 | MCB747 | FDB2145 | .FD.0053 | FDB298 |
| MCB532 | FDB339 | MCB629 | FDB706 | MCB748 | FDB2125 | .FD.0054 | FDB244 |
| MCB533 | FDB204 | MCB631 | FDB2187 | MCB750 | FDB2183 | .FD.0055 | FDB220 |
| MCB534 | FDB382 | MCB631 | FDB2225 | MCB752 | FDB2178 | .FD.0058 | FDB538 |
| MCB535 | FRP405 | MCB634LF | FDB754 | MCB752 | FDB2204 | .FD.0062 | FDB311 |
| MCB535 | FDB2107 | MCB63LF | FDB134 | MCB755 | FDB2181 | .FD.0063 | FDB310 |
| MCB536 | FDB205 | MCB64 | FDB781 | MCB755 | FDB2205 | .FD.0065 | FDB184 |
| MCB539 | FDB383 | MCB642 | FDB637 | MCB756 | FDB2193 | .FD.0066 | FDB247 |
| MCB539 | FDB475 | MCB643 | FDB741 | MCB757 | FDB2188 | .FD.0067 | FDB382 |
| MCB54 | FDB182 | MCB648 | FDB2039 | MCB759 | FDB2169 | .FD.0068 | FDB337 |
| MCB540 | FRP408 | MCB64LF | FDB631 | MCB760 | FDB2184 | .FD.0069 | FDB696 |
| MCB541 | FDB386 | MCB652 | FDB782 | MCB761 | FDB2055 | .FD.0071 | FDB731 |
| MCB542 | FDB389 | MCB655 | FDB865 | MCB762 | FDB2121 | .FD.0072 | FDB339 |
| MCB544 | FDB538 | MCB656 | FDB864 | MCB763 | FDB2175 | .FD.0073 | FDB314 |
| MCB547 | FDB390 | MCB658 | FDB2002 | MCB766 | FDB2109 | .FD.0074 | FDB436 |
| MCB548 | FDB352 | MCB659 | FDB873 | MCB769 | FDB2182 | .FD.0075 | FDB312 |
| MCB55 | FDB183 | MCB659 | FDB2144 | MCB770 | FDB2103 | .FD.0077 | FDB384 |
| MCB55 | FDB220 | MCB660 | FDB2036 | MCB776 | FDB2196 | .FD.0078 | FDB381 |
| MCB55 | FDB404 | MCB662 | FDB2012 | MCB776 | FDB2211 | .FD.0080 | FDB250 |
| MCB551 | FDB673 | MCB666 | FDB2003 | MCB780 | FDB2201 | .FD.0082 | FDB386 |
| MCB556 | FDB437 | MCB667 | FDB731 | MCB783 | FDB2213 | .FD.0083 | FDB389 |
| MCB558 | FDB2015 | MCB668 | FDB2054 | MCB785 | FDB2221 | .FD.0084 | FDB665 |
| MCB559 | FDB449 | MCB669 | FDB892 | MCB786 | FDB2216 | .FD.0085 | FDB313 |
| MCB56 | FDB2013 | MCB677 | FDB664 | MCB789 | FDB2220 | .FD.0089 | FDB411 |
| MCB562 | FDB462 | MCB68 | FDB177 | MCB79 | FDB132 | .FD.0090 | FDB475 |
| MCB562 | FDB2113 | MCB680 | FDB2127 | MCB791 | FDB2219 | .FD.0091 | FDB438 |
| MCB563 | FDB592 | MCB681 | FDB2049 | MCB792 | FDB2218 | .FD.0092 | FDB404 |
| MCB567 | FDB2014 | MCB682 | FDB2048 | MCB794 | FDB2244 | .FD.0095 | FDB673 |
| MCB568 | FDB583 | MCB691LF | FDB2111 | MCB795 | FDB2217 | .FD.0096 | FDB592 |
| MCB569 | FDB481 | MCB697SI | FDB2080 | MCB94LF | FDB181 | .FD.0097 | FDB583 |
| MCB572 | FDB498 | MCB7 | FDB150 | MCB97 | FDB185 | .FD.0098 | FDB697 |
| MCB576 | FDB696 | MCB704 | FDB2073 | MCB99 | FDB342 | .FD.0099 | FDB698 |
| MCB579 | FDB499 | MCB711 | FDB2097 | | | .FD.0100 | FDB437 |
| MCB58 | FDB213 | MCB713LF | FDB2102 | NEWFREN | Ferodo | .FD.0102 | FDB2015 |
| MCB582 | FDB497 | MCB714SX | FDB2110 | .FD.0005 | FDB119 | .FD.0103 | FDB624 |
| MCB583LF | FDB2001 | MCB72 | FDB178 | .FD.0008 | FDB342 | .FD.0104 | FDB449 |
| MCB584 | FDB662 | MCB721 | FDB2120 | .FD.0012 | FDB207 | .FD.0105 | FDB663 |
| MCB585LF | FDB531 | MCB721 | FDB2215 | .FD.0013 | FDB108 | .FD.0106 | FDB462 |
| MCB586 | FDB508 | MCB723 | FDB2149 | .FD.0014 | FDB132 | .FD.0108 | FDB481 |
| MCB587 | FDB591 | MCB723 | FDB2235 | .FD.0016 | FDB182 | .FD.0110 | FDB2013 |
| MCB59 | FDB218 | MCB724 | FDB2148 | .FD.0017 | FDB177 | .FD.0113 | FDB499 |
| MCB591 | FDB151 | MCB725 | FDB2150 | .FD.0022 | FDB151 | .FD.0114 | FDB539 |
| MCB591 | FDB569 | MCB72LF | FDB2084 | .FD.0025 | FDB134 | .FD.0115 | FDB498 |
| MCB593 | FDB533 | MCB73 | FDB2079 | .FD.0028 | FDB205 | .FD.0116 | FDB494 |
| MCB593 | FDB858 | MCB73 | FDB2114 | .FD.0031 | FDB213 | .FD.0119 | FDB390 |
| MCB594LF | FDB496 | MCB730SI | FDB2139 | .FD.0035 | FDB150 | .FD.0120 | FDB495 |

BRAKE PADS X-REF

COMPETITORS TO FERODO

| NEWFREN | Ferodo | NEWFREN | Ferodo | NEWFREN | Ferodo | NEWFREN | Ferodo |
|----------|---------|----------|---------|----------|---------|----------|---------|
| .FD.0122 | FDB497 | .FD.0201 | FDB864 | .FD.0294 | FDB2121 | .FD.0378 | FDB2200 |
| .FD.0123 | FDB661 | .FD.0203 | FDB2002 | .FD.0295 | FDB2110 | .FD.0379 | FDB2185 |
| .FD.0124 | FDB383 | .FD.0204 | FDB887 | .FD.0296 | FDB2129 | .FD.0380 | FDB2201 |
| .FD.0129 | FDB557 | .FD.0205 | FDB2003 | .FD.0297 | FDB2040 | .FD.0381 | FDB2189 |
| .FD.0130 | FDB664 | .FD.0206 | FDB2005 | .FD.0298 | FDB2115 | .FD.0383 | FDB2184 |
| .FD.0131 | FDB533 | .FD.0207 | FDB2012 | .FD.0299 | FDB2041 | .FD.0385 | FDB2196 |
| .FD.0132 | FDB570 | .FD.0213 | FDB2007 | .FD.0300 | FDB2079 | .FD.0386 | FDB2180 |
| .FD.0134 | FDB338 | .FD.0215 | FDB2008 | .FD.0301 | FDB2148 | .FD.0387 | FDB2179 |
| .FD.0135 | FDB591 | .FD.0216 | FDB2006 | .FD.0304 | FDB2119 | .FD.0388 | FDB2193 |
| .FD.0136 | FDB531 | .FD.0217 | FDB2058 | .FD.0305 | FDB2120 | .FD.0389 | FDB2202 |
| .FD.0138 | FDB508 | .FD.0219 | FDB2190 | .FD.0309 | FDB2175 | .FD.0391 | FDB2198 |
| .FD.0139 | FDB2192 | .FD.0221 | FDB2042 | .FD.0316 | FDB2126 | .FD.0394 | FDB2207 |
| .FD.0140 | FDB606 | .FD.0222 | FDB2133 | .FD.0317 | FDB2177 | .FD.0395 | FDB2194 |
| .FD.0141 | FDB496 | .FD.0223 | FDB2191 | .FD.0318 | FDB2149 | .FD.0396 | FDB2208 |
| .FD.0142 | FDB2107 | .FD.0224 | FDB2101 | .FD.0319 | FDB2124 | .FD.0397 | FDB2195 |
| .FD.0143 | FDB574 | .FD.0225 | FDB2037 | .FD.0320 | FDB2125 | .FD.0398 | FDB2206 |
| .FD.0144 | FDB659 | .FD.0227 | FDB2049 | .FD.0323 | FDB2128 | .FD.0399 | FDB2197 |
| .FD.0145 | FDB2016 | .FD.0228 | FDB2048 | .FD.0324 | FDB2130 | .FD.0400 | FDB2211 |
| .FD.0147 | FDB569 | .FD.0229 | FDB2039 | .FD.0326 | FDB2132 | .FD.0401 | FDB2212 |
| .FD.0149 | FDB485 | .FD.0234 | FDB2034 | .FD.0327 | FDB2141 | .FD.0402 | FDB2213 |
| .FD.0150 | FDB2001 | .FD.0237 | FDB2050 | .FD.0328 | FDB2140 | .FD.0403 | FDB2209 |
| .FD.0151 | FDB185 | .FD.0238 | FDB2060 | .FD.0329 | FDB2139 | .FD.0404 | FDB2216 |
| .FD.0153 | FDB333 | .FD.0246 | FDB2036 | .FD.0330 | FDB2142 | .FD.0405 | FDB2210 |
| .FD.0154 | FDB334 | .FD.0247 | FDB2056 | .FD.0331 | FDB2143 | .FD.0406 | FDB2225 |
| .FD.0155 | FDB335 | .FD.0249 | FDB2057 | .FD.0334 | FDB2147 | .FD.0407 | FDB2217 |
| .FD.0157 | FDB352 | .FD.0251 | FDB2062 | .FD.0335 | FDB2146 | .FD.0408 | FDB2203 |
| .FD.0158 | FDB529 | .FD.0253 | FDB2073 | .FD.0336 | FDB2154 | .FD.0409 | FDB2204 |
| .FD.0162 | FDB706 | .FD.0254 | FDB2098 | .FD.0339 | FDB2123 | .FD.0410 | FDB2205 |
| .FD.0163 | FDB631 | .FD.0255 | FDB2075 | .FD.0340 | FDB2122 | .FD.0411 | FDB2219 |
| .FD.0164 | FDB607 | .FD.0256 | FDB2074 | .FD.0341 | FDB2150 | .FD.0412 | FDB2221 |
| .FD.0165 | FDB828 | .FD.0257 | FDB2087 | .FD.0343 | FDB2153 | .FD.0413 | FDB2215 |
| .FD.0167 | FDB737 | .FD.0258 | FDB2114 | .FD.0344 | FDB2145 | .FD.0414 | FDB2224 |
| .FD.0169 | FDB736 | .FD.0259 | FDB2083 | .FD.0345 | FDB2156 | .FD.0415 | FDB2218 |
| .FD.0171 | FDB782 | .FD.0261 | FDB2084 | .FD.0346 | FDB2176 | .FD.0416 | FDB2202 |
| .FD.0172 | FDB754 | .FD.0262 | FDB2080 | .FD.0348 | FDB2165 | .FD.0417 | FDB2226 |
| .FD.0173 | FDB625 | .FD.0263 | FDB2081 | .FD.0349 | FDB2162 | .FD.0419 | FDB2220 |
| .FD.0175 | FDB636 | .FD.0264 | FDB2085 | .FD.0351 | FDB2158 | .FD.0427 | FDB2231 |
| .FD.0176 | FDB637 | .FD.0265 | FDB2086 | .FD.0352 | FDB2164 | .FD.0428 | FDB2232 |
| .FD.0177 | FDB662 | .FD.0266 | FDB2100 | .FD.0354 | FDB2157 | .FD.0428 | FDB2233 |
| .FD.0178 | FDB783 | .FD.0267 | FDB2090 | .FD.0355 | FDB2169 | .FD.0429 | FDB2230 |
| .FD.0183 | FDB781 | .FD.0268 | FDB2103 | .FD.0356 | FDB2173 | .FD.0430 | FDB2231 |
| .FD.0185 | FDB741 | .FD.0269 | FDB2096 | .FD.0361 | FDB2144 | .FD.0430 | FDB2232 |
| .FD.0186 | FDB2018 | .FD.0270 | FDB847 | .FD.0362 | FDB2178 | .FD.0436 | FDB2251 |
| .FD.0188 | FDB452 | .FD.0271 | FDB2095 | .FD.0363 | FDB2244 | .FD.0437 | FDB2238 |
| .FD.0189 | FDB148 | .FD.0272 | FDB2111 | .FD.0364 | FDB2181 | .FD.0438 | FDB2240 |
| .FD.0190 | FDB605 | .FD.0273 | FDB2099 | .FD.0365 | FDB2186 | .FD.0442 | FDB2214 |
| .FD.0191 | FDB666 | .FD.0274 | FDB2136 | .FD.0366 | FDB2170 | .FD.0443 | FDB2250 |
| .FD.0192 | FDB672 | .FD.0277 | FDB2102 | .FD.0367 | FDB2171 | .FD.0444 | FDB2242 |
| .FD.0193 | FDB892 | .FD.0278 | FDB2014 | .FD.0368 | FDB2168 | .FD.0445 | FDB2254 |
| .FD.0194 | FDB784 | .FD.0279 | FDB2054 | .FD.0369 | FDB2167 | .FD.0446 | FDB2253 |
| .FD.0195 | FDB677 | .FD.0280 | FDB2055 | .FD.0370 | FDB2166 | .FD.0448 | FDB2243 |
| .FD.0196 | FDB680 | .FD.0281 | FDB2106 | .FD.0371 | FDB2163 | .FD.0467 | FDB2256 |
| .FD.0197 | FDB889 | .FD.0282 | FDB2105 | .FD.0372 | FDB2183 | .FD.0494 | FDB2268 |
| .FD.0198 | FDB858 | .FD.0290 | FDB2097 | .FD.0373 | FDB2187 | .FD.0496 | FDB2267 |
| .FD.0199 | FDB873 | .FD.0292 | FDB2109 | .FD.0374 | FDB2188 | .FD.0460 | FDB2248 |
| .FD.0200 | FDB865 | .FD.0293 | FDB2108 | .FD.0376 | FDB2182 | | |

| SBS | Ferodo |
|-----|---------|
| 119 | FDB2087 |

BRAKE PADS X-REF

COMPETITORS TO FERODO

| SBS | Ferodo | SBS | Ferodo | SBS | Ferodo | SBS | Ferodo |
|-----|---------|-----|---------|-----|---------|-----|---------|
| 140 | FDb2190 | 552 | FDB310 | 616 | FDB591 | 683 | FDB864 |
| 146 | FDB2085 | 554 | FDB204 | 618 | FDB2192 | 684 | FDB828 |
| 154 | FDB2096 | 555 | FDB337 | 619 | FDB636 | 685 | FDB2002 |
| 155 | FDB2083 | 556 | FDB338 | 620 | FDB569 | 686 | FDB873 |
| 157 | FDB2074 | 557 | FDB339 | 622 | FDB533 | 686 | FDB2144 |
| 163 | FDB497 | 558 | FDB382 | 622 | FDB858 | 687 | FDB2012 |
| 174 | FDB2086 | 559 | FRP405 | 623 | FDB496 | 689 | FDB677 |
| 178 | FDB2108 | 559 | FDB2107 | 624 | FDB557 | 690 | FDB672 |
| 185 | FDB2200 | 560 | FDB205 | 626 | FDB606 | 691 | FDB2003 |
| 194 | fdb2208 | 562 | FDB381 | 627 | FDB570 | 692 | FDB314 |
| 195 | FDB2226 | 566 | FRP408 | 627 | FDB2187 | 694 | FDB892 |
| 195 | FDB2254 | 570 | FDB386 | 627 | FDB2225 | 695 | FDB2007 |
| 198 | FDB605 | 571 | FDB310 | 630 | FDB664 | 696 | FDB2060 |
| 201 | FDB2226 | 572 | FDB538 | 631 | FDB574 | 697 | FDB680 |
| 204 | FDB2248 | 572 | FDB666 | 632 | FDB659 | 700 | FDB570 |
| 205 | FDB2256 | 574 | FDB624 | 633 | FDB631 | 700 | FDB664 |
| 208 | FDB2264 | 574 | FDB694 | 634 | FDB605 | 701 | FDB2058 |
| 306 | FDB2204 | 575 | FDB383 | 635 | FDB607 | 702 | FDB2133 |
| 501 | FDB119 | 575 | FDB475 | 637 | FDB2017 | 703 | FDB2050 |
| 505 | FDB88 | 576 | FDB2014 | 638 | FDB631 | 704 | FDB2049 |
| 506 | FDB108 | 577 | FDB389 | 638 | FDB2087 | 705 | FDB2048 |
| 506 | FDB148 | 578 | FDB390 | 639 | FDB605 | 706 | FDB2042 |
| 507 | FDB177 | 579 | FDB352 | 640 | FDB736 | 707 | FDB2167 |
| 508 | FDB182 | 580 | FDB411 | 641 | FDB529 | 708 | FDB2190 |
| 509 | FDB134 | 581 | FDB404 | 642 | FDB2055 | 710 | FDB2101 |
| 510 | FDB132 | 582 | FDB673 | 644 | FDB2050 | 711 | FDB2123 |
| 511 | FDB150 | 583 | FDB207 | 645 | FDB666 | 712 | FDB2037 |
| 512 | FDB151 | 584 | FDB661 | 646 | FRP416 | 713 | FDB497 |
| 513 | FDB185 | 585 | FDB384 | 646 | FDB2081 | 714 | FDB557 |
| 514 | FDB181 | 586 | FDB314 | 647 | FDB663 | 715 | FDB2111 |
| 515 | FDB178 | 587 | FDB437 | 648 | FDB659 | 716 | FDB2055 |
| 517 | FDB182 | 588 | FDB438 | 649 | FDB2016 | 717 | FDB2054 |
| 519 | FDB207 | 589 | FDB2015 | 650 | FDB737 | 721 | FDB2073 |
| 520 | FDB155 | 590 | FDB449 | 652 | FDB706 | 721 | FDB2098 |
| 523 | FDB342 | 591 | FDB2013 | 654 | FDB570 | 722 | FDB2075 |
| 526 | FDB183 | 592 | FDB381 | 657 | FDB754 | 722 | FDB2098 |
| 528 | FDB184 | 593 | FDB462 | 658 | FDB847 | 723 | FDB2191 |
| 530 | FDB220 | 593 | FDB2113 | 659 | FDB2194 | 724 | FDB2056 |
| 532 | FDB213 | 594 | FDB592 | 661 | FRP410 | 724 | FDB2057 |
| 533 | FDB218 | 595 | FDB436 | 662 | FDB2041 | 725 | FDB680 |
| 534 | FDB217 | 596 | FDB583 | 663 | FDB781 | 726 | FDB2080 |
| 536 | FDB250 | 597 | FDB481 | 665 | FDB637 | 727 | FDB2099 |
| 537 | FDB333 | 600 | FDB452 | 666 | FDB741 | 728 | FDB2083 |
| 539 | FDB299 | 601 | FDB498 | 667 | FDB889 | 729 | FDB2036 |
| 540 | FDB298 | 602 | FDB494 | 669 | FDB2001 | 730 | FDB2074 |
| 541 | FDB731 | 603 | FDB495 | 670 | FDB625 | 731 | FDB2062 |
| 542 | FDB244 | 604 | FDB539 | 671 | FDB2018 | 732 | FDB2171 |
| 542 | FDB665 | 605 | FDB696 | 673 | FDB783 | 733 | FDB2084 |
| 543 | FDB334 | 606 | FDB695 | 674 | FDB2006 | 734 | FDB2114 |
| 544 | FDB313 | 607 | FDB697 | 675 | FDB2005 | 735 | FDB2073 |
| 545 | FDB247 | 608 | FDB499 | 676 | FDB2036 | 736 | FDB2073 |
| 546 | FDB314 | 609 | FDB485 | 678 | FDB2040 | 740 | FDB2085 |
| 547 | FDB277 | 611 | FDB497 | 680 | FDB784 | 742 | FDB2039 |
| 549 | FDB335 | 613 | FDB662 | 680 | FDB2100 | 744 | FDB2081 |
| 550 | FDB311 | 614 | FDB531 | 681 | FDB782 | 745 | FDB2129 |
| 551 | FDB312 | 615 | FDB508 | 682 | FDB865 | 746 | FDB2102 |

BRAKE PADS X-REF

COMPETITORS TO FERODO

| SBS | Ferodo | SBS | Ferodo | VESRAH | Ferodo | VESRAH | Ferodo |
|-----|---------|--------|---------|---------------|---------|---------------|---------|
| 747 | FDB2090 | 807 | FDB2179 | VD 123/2 | FDB538 | VD 246 | FDB591 |
| 748 | FDB2095 | 808 | FDB2180 | VD 127 | FDB661 | VD 247 | FDB636 |
| 749 | FDB2096 | 809 | FDB2181 | VD 128 | FDB381 | VD 248 | FDB605 |
| 750 | FDB2097 | 809 | FDB2205 | VD 129 /129/2 | FDB310 | VD 249 | FDB605 |
| 752 | FDB2110 | 810 | FDB2184 | VD 131 | FDB312 | VD 250 | FDB631 |
| 753 | FDB754 | 812 | FDB2200 | VD 132 | FDB665 | VD 250/2 | FDB2087 |
| 753 | FDB2130 | 813 | FDB2182 | VD 134 | FDB2086 | VD 251 | FDB666 |
| 754 | FDB2148 | 814 | FDB312 | VD 134 /134/2 | FDB382 | VD 252 | FDB737 |
| 755 | FDB2121 | 815 | FDB2103 | VD 136 | FDB2086 | VD 254 | FRP405 |
| 757 | FDB2177 | 818 | FDB2186 | VD 139 | FDB495 | VD 254 | FDB2107 |
| 758 | FDB2175 | 820 | FDB2197 | VD 139/2 | FDB496 | VD 255 | FDB781 |
| 761 | FDB2105 | 821 | FDB2201 | VD 141 | FDB462 | VD 256 | FDB889 |
| 762 | FDB2120 | 823 | FDB2224 | VD 142 | FDB2113 | VD 257 | FDB637 |
| 762 | FDB2215 | 828 | FDB2196 | VD 143 | FDB452 | VD 257 | FDB662 |
| 763 | FDB2198 | 830 | FDB2210 | VD 143/2 | FDB663 | VD 258 | FDB864 |
| 765 | FDB2111 | 834 | FDB2221 | VD 144 | FDB539 | VD 259 | FDB865 |
| 767 | FDB2149 | 838 | FDB2220 | VD 144 | FDB783 | VD 260 | FDB2003 |
| 768 | FDB2126 | 839 | FDB2217 | VD 144/2 | FDB672 | VD 261 | FDB2017 |
| 769 | FDB2156 | 840 | FDB2219 | VD 147 | FDB531 | VD 262 | FDB2042 |
| 770 | FDB2150 | 841 | FDB2218 | VD 150 | FDB2192 | VD 262/2 | FDB2099 |
| 771 | FDB680 | 841 | FDB2260 | VD 152 | FDB438 | VD 263 | FDB2083 |
| 772 | FDB2115 | 842 | FDB2245 | VD 152 | FDB2060 | VD 264 | FDB2084 |
| 773 | FDB2128 | 843 | FDB2244 | VD 152 | FDB2146 | VD 266 | FDB2148 |
| 774 | FDB2106 | 844 | FDB2216 | VD 154 | FDB533 | VD 268 | FDB2150 |
| 775 | FDB2141 | 845 | FDB2228 | VD 154 | FDB858 | VD 269 | FDB2126 |
| 776 | FDB2140 | 846 | FDB2202 | VD 156 | FDB570 | VD 269/2 | FDB2156 |
| 777 | FDB2139 | 847 | FDB2226 | VD 156 | FDB2187 | VD 270 | FDB2193 |
| 778 | FDB2124 | 849 | FDB2230 | VD 156/2 | FDB664 | VD 271 | FDB2162 |
| 780 | FDB2147 | 850 | FDB2231 | VD 161 | FDB892 | VD 305 | FDB150 |
| 781 | FDB2119 | 851 | FDB2232 | VD 162 | FDB625 | VD 306 | FDB151 |
| 781 | FDB2132 | 852 | FDB2233 | VD 163 | FDB754 | VD 307 | FDB178 |
| 782 | FDB2158 | 853 | FDB2250 | VD 164 | FDB2002 | VD 308 | FDB178 |
| 783 | FDB2157 | 854 | FDB2251 | VD 165 | FDB2075 | VD 310 | FDB178 |
| 784 | FDB2143 | 856 | FDB2240 | VD 165/2 | FDB2073 | VD 315 | FDB178 |
| 786 | FDB2142 | 858 | FDB2238 | VD 165/2 | FDB2098 | VD 316 | FDB178 |
| 787 | FDB2176 | 859 | FDB2242 | VD 166 | FDB2114 | VD 320 | FDB178 |
| 788 | FDB2164 | 860 | FDB2079 | VD 166/2 | FDB2079 | VD 324 | FDB217 |
| 788 | FDB2203 | 861 | FDB2206 | VD 168 | FDB2139 | VD 327 | FDB338 |
| 789 | FDB2163 | 862 | FDB2253 | VD 169 | FDB2130 | VD 328 | FDB390 |
| 790 | FDB2162 | 863 | FDB2254 | VD 170 | FDB2181 | VD 329 /329/2 | FDB673 |
| 791 | FDB2165 | 864 | FDB2252 | VD 170 | FDB2205 | VD 329 /392/2 | FDB404 |
| 792 | FDB2108 | 869 | FDB2259 | VD 171 | FDB2182 | VD 331 | FDB389 |
| 793 | FDB2146 | 872 | FDB2257 | VD 205 | FDB177 | VD 332 | FDB2013 |
| 794 | FDB2183 | 877 | FDB2266 | VD 215 | FDB184 | VD 335 | FDB437 |
| 795 | FDB2145 | 885 | FDB2262 | VD 216 | FDB247 | VD 340 /340/2 | FDB497 |
| 796 | FDB2125 | | | VD 228 | FDB277 | VD 341 | FDB2016 |
| 797 | FDB2169 | VESRAH | Ferodo | VD 234 | FDB2014 | VD 342 | FDB313 |
| 798 | FDB2080 | VD 102 | FDB119 | VD 235 | FDB311 | VD 343 | FDB557 |
| 799 | FDB2193 | VD 106 | FDB119 | VD 236 | FDB337 | VD 344 | FDB574 |
| 800 | FDB2236 | VD 108 | FDB134 | VD 239 | FDB383 | VD 345/2 | FDB569 |
| 801 | FDB2188 | VD 112 | FDB182 | VD 239 | FDB475 | VD 346 | FDB384 |
| 802 | FDB2109 | VD 116 | FDB134 | VD 240 | FDB386 | VD 347 | FDB606 |
| 803 | FDB2127 | VD 117 | FDB183 | VD 241 | FDB411 | VD 348 | FDB607 |
| 804 | FDB2173 | VD 120 | FDB250 | VD 242 | FDB449 | VD 349 | FDB873 |
| 805 | FDB2166 | VD 123 | FDB244 | VD 244 | FDB2015 | VD 349 | FDB2144 |
| 806 | FDB2178 | VD 123 | FDB665 | VD 245 | FDB583 | VD 350 | FDB2058 |

BRAKE PADS X-REF

COMPETITORS TO FERODO

| VESRAH | Ferodo | VESRAH | Ferodo |
|---------------|---------|--------|---------|
| VD 351 | FDB2133 | VD 912 | FDB218 |
| VD 352 | FDB2048 | VD 915 | FDB185 |
| VD 353 | FDB2085 | VD 918 | FDB335 |
| VD 354 | FDB2164 | VD 919 | FDB352 |
| VD 354 | FDB2203 | VD 920 | FDB624 |
| VD 355 | FDB2178 | VD 920 | FDB694 |
| VD 355 | FDB2204 | VD 924 | FDB592 |
| VD 359 | FDB2221 | VD 925 | FDB2107 |
| VD 404 | FDB132 | VD 928 | FDB205 |
| VD 405 | FDB181 | VD 929 | FDB529 |
| VD 408 | FDB132 | VD 930 | FDB696 |
| VD 409 | FDB132 | VD 932 | FDB436 |
| VD 411 | FDB132 | VD 933 | FDB204 |
| VD 412 | FDB181 | VD 934 | FDB736 |
| VD 416 | FDB338 | VD 937 | FDB624 |
| VD 420 | FDB298 | VD 937 | FDB697 |
| VD 420 | FDB299 | VD 940 | FDB2055 |
| VD 421 | FDB298 | VD 941 | FDB2050 |
| VD 421 | FDB299 | VD 942 | FDB499 |
| VD 423 | FDB220 | VD 943 | FDB498 |
| VD 425 | FDB314 | VD 945 | FRP408 |
| VD 425 | FDB828 | VD 946 | FRP405 |
| VD 426 | FDB339 | VD 947 | FDB2018 |
| VD 427 | FDB481 | VD 947 | FDB2039 |
| VD 428 | FDB494 | VD 948 | FDB680 |
| VD 430 | FDB508 | VD 949 | FDB784 |
| VD 432 /432/2 | FDB659 | VD 949 | FDB2100 |
| VD 433 | FDB741 | VD 950 | FDB2054 |
| VD 434 | FDB2012 | VD 953 | FDB2005 |
| VD 435 | FDB2049 | VD 955 | FDB2037 |
| VD 436 | FDB2111 | VD 956 | FDB485 |
| VD 437 | FDB2036 | VD 957 | FDB2001 |
| VD 438 | FDB2080 | VD 958 | FDB2006 |
| VD 439 | FDB2124 | VD 959 | FDB2050 |
| VD 440 | FDB2110 | VD 963 | FDB2121 |
| VD 441 | FDB2188 | VD 965 | FDB2175 |
| VD 443 | FDB2158 | VD 973 | FDB2177 |
| VD 9003 | FDB2127 | VD 991 | FDB2183 |
| VD 9009JL | FDB2179 | VD 992 | FDB2176 |
| VD 9010JL | FDB2180 | VD 993 | FDB2145 |
| VD 9017 | FDB2105 | VD 996 | FDB2191 |
| VD 9022 | FDB2202 | VD 998 | FDB2198 |
| VD 9024 | FDB2236 | | |
| VD 9035 | FDB2251 | | |
| VD 904 | FDB88 | | |
| VD 906 | FRP213 | | |
| VD 906 | FDB342 | | |
| VD 907 | FDB108 | | |
| VD 907 | FDB148 | | |
| VD 908 | FDB333 | | |
| VD 909 | FDB334 | | |
| VD 910 | FDB155 | | |
| VD 911 | FDB207 | | |
| VD 911/2 | FRP416 | | |
| VD 911/2 | FDB2081 | | |
| VD 912 | FDB213 | | |

BRAKE SHOES X-REF

COMPETITORS TO FERODO

| EBC | Ferodo | EBC | Ferodo | EBC | Ferodo | EBC | Ferodo |
|-----|--------|-----|--------|---------|--------|---------|--------|
| 860 | FSB700 | 338 | FSB756 | 814 | FSB816 | 910 | FSB875 |
| 861 | FSB701 | 344 | FSB757 | 811 | FSB817 | 921 | FSB876 |
| 301 | FSB702 | 335 | FSB758 | 929 | FSB818 | 945 | FSB877 |
| 302 | FSB703 | 987 | FSB759 | 822 | FSB819 | 917/918 | FSB878 |
| 303 | FSB704 | 306 | FSB760 | 933 | FSB820 | 902 | FSB879 |
| 304 | FSB705 | 343 | FSB761 | 937 | FSB821 | 915/916 | FSB882 |
| 310 | FSB706 | 350 | FSB762 | 878 | FSB822 | 897 | FSB883 |
| 312 | FSB707 | 508 | FSB763 | 978 | FSB823 | 914 | FSB884 |
| 313 | FSB708 | 502 | FSB764 | 979 | FSB824 | 906 | FSB885 |
| 318 | FSB709 | 515 | FSB765 | 934 | FSB825 | 912 | FSB886 |
| 320 | FSB710 | 522 | FSB766 | 935 | FSB826 | 942 | FSB887 |
| 321 | FSB711 | 511 | FSB767 | 936 | FSB827 | 868 | FSB888 |
| 322 | FSB712 | 941 | FSB768 | 990 | FSB828 | 907 | FSB889 |
| 330 | FSB713 | 512 | FSB769 | 883 | FSB829 | 905 | FSB890 |
| 333 | FSB714 | 513 | FSB770 | 998 | FSB831 | 904 | FSB891 |
| 336 | FSB715 | 525 | FSB771 | 985 | FSB832 | 881 | FSB892 |
| 702 | FSB716 | 521 | FSB772 | 944 | FSB833 | 882 | FSB893 |
| 703 | FSB717 | 609 | FSB773 | 955 | FSB834 | 885 | FSB894 |
| 706 | FSB718 | 619 | FSB775 | 975 | FSB835 | 886 | FSB895 |
| 709 | FSB719 | 618 | FSB776 | 976 | FSB836 | 890 | FSB896 |
| 601 | FSB720 | 624 | FSB777 | 965 | FSB837 | 922 | FSB897 |
| 602 | FSB721 | 622 | FSB778 | 954 | FSB838 | 841 | FSB898 |
| 603 | FSB722 | 621 | FSB779 | 958 | FSB839 | 939 | FSB899 |
| 604 | FSB723 | 611 | FSB780 | 977 | FSB841 | 995 | FSB900 |
| 605 | FSB724 | 983 | FSB781 | 989 | FSB842 | 843 | FSB901 |
| 606 | FSB725 | 634 | FSB782 | 959 | FSB843 | 908 | FSB902 |
| 613 | FSB726 | 615 | FSB783 | 845 | FSB844 | 988 | FSB903 |
| 614 | FSB727 | 626 | FSB784 | 982 | FSB845 | 940 | FSB904 |
| 617 | FSB728 | 620 | FSB785 | 943 | FSB846 | 996 | FSB906 |
| 627 | FSB729 | 616 | FSB786 | 821 | FSB847 | 926 | FSB907 |
| 501 | FSB730 | 893 | FSB788 | 953 | FSB848 | 931 | FSB908 |
| 503 | FSB731 | 630 | FSB790 | 842 | FSB849 | 981 | FSB909 |
| 504 | FSB732 | 631 | FSB791 | 801 | FSB850 | 909 | FSB910 |
| 506 | FSB733 | 632 | FSB792 | 865 | FSB851 | 952 | FSB911 |
| 510 | FSB734 | 708 | FSB793 | 927 | FSB852 | 924 | FSB912 |
| 514 | FSB735 | 710 | FSB794 | 948 | FSB853 | 507 | FSB913 |
| 516 | FSB736 | 713 | FSB795 | 949 | FSB854 | 892 | FSB914 |
| 517 | FSB737 | 704 | FSB797 | 951 | FSB855 | 896 | FSB915 |
| 518 | FSB738 | 701 | FSB798 | 992 | FSB856 | 858 | FSB916 |
| 519 | FSB739 | 705 | FSB799 | 833 | FSB857 | 853 | FSB919 |
| 323 | FSB740 | 711 | FSB800 | 844 | FSB858 | 852 | FSB920 |
| 316 | FSB741 | 714 | FSB801 | 947 | FSB859 | 854 | FSB921 |
| 315 | FSB742 | 715 | FSB802 | 894 | FSB860 | 851 | FSB922 |
| 325 | FSB743 | 930 | FSB803 | 895 | FSB861 | 339 | FSB925 |
| 327 | FSB744 | 862 | FSB804 | 887 | FSB862 | 625 | FSB927 |
| 328 | FSB745 | 863 | FSB805 | 859 | FSB863 | 520 | FSB928 |
| 331 | FSB746 | 864 | FSB806 | 873 | FSB864 | 633 | FSB929 |
| 324 | FSB747 | 831 | FSB807 | 876 | FSB865 | 347 | FSB931 |
| 341 | FSB748 | 999 | FSB808 | 888 | FSB866 | 717 | FSB932 |
| 309 | FSB749 | 986 | FSB809 | 880 | FSB867 | 524 | FSB933 |
| 319 | FSB750 | 997 | FSB810 | 901 | FSB869 | 628 | FSB934 |
| 332 | FSB751 | 866 | FSB811 | 877 | FSB870 | 804 | FSB936 |
| 337 | FSB752 | 802 | FSB812 | 867 | FSB871 | 900 | FSB937 |
| 346 | FSB753 | 803 | FSB813 | 993/994 | FSB872 | 899 | FSB938 |
| 334 | FSB754 | 812 | FSB814 | 911 | FSB873 | 805 | FSB939 |
| 340 | FSB755 | 813 | FSB815 | 903 | FSB874 | 806 | FSB940 |

BRAKE SHOES X-REF

COMPETITORS TO FERODO

| EBC | Ferodo | LUCAS | Ferodo | NEWFREN | Ferodo | NEWFREN | Ferodo |
|--------|--------|--------|--------|----------|--------|----------|--------|
| 807 | FSB941 | MCS953 | FSB733 | .GF.1211 | FSB700 | .GF.1253 | FSB756 |
| 311 | FSB942 | MCS955 | FSB734 | .GF.1218 | FSB701 | .GF.1254 | FSB757 |
| 314 | FSB943 | MCS958 | FSB736 | .GF.1093 | FSB702 | .GF.1247 | FSB758 |
| 342 | FSB944 | MCS964 | FSB737 | .GF.1198 | FSB703 | .GF.0227 | FSB759 |
| 345 | FSB945 | MCS956 | FSB738 | .GF.1043 | FSB704 | .GF.1206 | FSB760 |
| 351 | FSB946 | MCS963 | FSB739 | .GF.1178 | FSB705 | .GF.1232 | FSB761 |
| 527 | FSB947 | MCS812 | FSB740 | .GF.1194 | FSB706 | .GF.1289 | FSB762 |
| 528 | FSB948 | MCS809 | FSB741 | .GF.1175 | FSB707 | .GF.1164 | FSB763 |
| 612 | FSB950 | MCS850 | FSB741 | .GF.1192 | FSB708 | .GF.1199 | FSB764 |
| 809 | FSB951 | MCS802 | FSB742 | .GF.1171 | FSB709 | .GF.1204 | FSB765 |
| 808 | FSB952 | MCS816 | FSB744 | .GF.1109 | FSB710 | .GF.1264 | FSB766 |
| 810 | FSB953 | MCS811 | FSB749 | .GF.1214 | FSB711 | .GF.1168 | FSB767 |
| 816 | FSB954 | MCS815 | FSB751 | .GF.1143 | FSB712 | .GF.0223 | FSB768 |
| 817 | FSB956 | MCS821 | FSB755 | .GF.1184 | FSB713 | .GF.1202 | FSB769 |
| 635 | FSB957 | MCS832 | FSB756 | .GF.1248 | FSB714 | .GF.1203 | FSB770 |
| 818 | FSB958 | MCS824 | FSB757 | .GF.1229 | FSB715 | .GF.1278 | FSB771 |
| 819 | FSB959 | MCS822 | FSB761 | .GF.1235 | FSB716 | .GF.1270 | FSB772 |
| 820 | FSB960 | MCS831 | FSB762 | .GF.1236 | FSB717 | .GF.1121 | FSB773 |
| 857 | FSB962 | MCS961 | FSB764 | .GF.1238 | FSB718 | .GF.1255 | FSB775 |
| 352 | FSB963 | MCS957 | FSB765 | .GF.1240 | FSB719 | .GF.1158 | FSB776 |
| 824 | FSB964 | MCS833 | FSB767 | .GF.1220 | FSB720 | .GF.1233 | FSB777 |
| 307 | FSB966 | MCS952 | FSB767 | .GF.1147 | FSB721 | .GF.1165 | FSB778 |
| 533 | FSB967 | MCS834 | FSB769 | .GF.1146 | FSB722 | .GF.1166 | FSB779 |
| | | MCS950 | FSB769 | .GF.1196 | FSB723 | .GF.1191 | FSB780 |
| | | MCS954 | FSB770 | .GF.1186 | FSB724 | .GF.0229 | FSB781 |
| LUCAS | Ferodo | MCS969 | FSB772 | .GF.1195 | FSB725 | .GF.1120 | FSB782 |
| MCS940 | FSB700 | MCS904 | FSB773 | .GF.1225 | FSB726 | .GF.1227 | FSB783 |
| MCS941 | FSB701 | MCS921 | FSB777 | .GF.1226 | FSB727 | .GF.1230 | FSB784 |
| MCS827 | FSB702 | MCS906 | FSB780 | .GF.1216 | FSB728 | .GF.1231 | FSB785 |
| MCS813 | FSB703 | MCS905 | FSB782 | .GF.1228 | FSB729 | .GF.1161 | FSB786 |
| MCS800 | FSB704 | MCS993 | FSB783 | .GF.1193 | FSB730 | .GF.1157 | FSB787 |
| MCS804 | FSB705 | MCS915 | FSB786 | .GF.1200 | FSB731 | .GF.0255 | FSB788 |
| MCS817 | FSB706 | MCS991 | FSB792 | .GF.1188 | FSB732 | .GF.1268 | FSB789 |
| MCS803 | FSB707 | MCS851 | FSB795 | .GF.1105 | FSB733 | .GF.1269 | FSB790 |
| MCS807 | FSB708 | MCS858 | FSB800 | .GF.1167 | FSB734 | .GF.1296 | FSB791 |
| MCS805 | FSB709 | MCS857 | FSB802 | .GF.1190 | FSB735 | .GF.1297 | FSB792 |
| MCS808 | FSB710 | MCS942 | FSB804 | .GF.1197 | FSB736 | .GF.1140 | FSB793 |
| MCS892 | FSB710 | MCS943 | FSB805 | .GF.1163 | FSB737 | .GF.1141 | FSB794 |
| MCS806 | FSB711 | MCS944 | FSB806 | .GF.1187 | FSB738 | .GF.1142 | FSB795 |
| MCS828 | FSB712 | MCS890 | FSB823 | .GF.1217 | FSB739 | .GF.0179 | FSB796 |
| MCS819 | FSB713 | MCS891 | FSB824 | .GF.1177 | FSB740 | .GF.1148 | FSB797 |
| MCS825 | FSB714 | MCS945 | FSB863 | .GF.1130 | FSB741 | .GF.1234 | FSB798 |
| MCS820 | FSB715 | MCS980 | FSB874 | .GF.1150 | FSB742 | .GF.1237 | FSB799 |
| MCS861 | FSB717 | MCS990 | FSB883 | .GF.1169 | FSB743 | .GF.1242 | FSB800 |
| MCS853 | FSB718 | MCS981 | FSB890 | .GF.1172 | FSB744 | .GF.1244 | FSB801 |
| MCS852 | FSB719 | MCS986 | FSB891 | .GF.1173 | FSB745 | .GF.1245 | FSB802 |
| MCS855 | FSB721 | MCS983 | FSB892 | .GF.1174 | FSB746 | .GF.0220 | FSB803 |
| MCS854 | FSB722 | MCS982 | FSB893 | .GF.1215 | FSB747 | .GF.1219 | FSB804 |
| MCS901 | FSB723 | MCS987 | FSB894 | .GF.1252 | FSB748 | .GF.1256 | FSB805 |
| MCS902 | FSB724 | MCS988 | FSB902 | .GF.1170 | FSB749 | .GF.1257 | FSB806 |
| MCS907 | FSB725 | MCS985 | FSB915 | .GF.1213 | FSB750 | .GF.1137 | FSB807 |
| MCS919 | FSB725 | MCS920 | FSB936 | .GF.1179 | FSB751 | .GF.1249 | FSB808 |
| MCS856 | FSB728 | MCS989 | FSB940 | .GF.1223 | FSB752 | .GF.1261 | FSB809 |
| MCS918 | FSB729 | MCS995 | FSB946 | .GF.1259 | FSB753 | .GF.1265 | FSB810 |
| MCS960 | FSB730 | MCS968 | FSB947 | .GF.1246 | FSB754 | .GF.1267 | FSB811 |
| MCS962 | FSB731 | MCS994 | FSB954 | .GF.1251 | FSB755 | .GF.1152 | FSB812 |
| MCS951 | FSB732 | | | | | | |

BRAKE SHOES X-REF

COMPETITORS TO FERODO

| NEWFREN | Ferodo | NEWFREN | Ferodo | NEWFREN | Ferodo | SBS | Ferodo |
|----------|--------|------------|--------|------------|--------|---------|--------|
| .GF.1160 | FSB813 | .GF.1262 | FSB871 | .GF.1273 | FSB928 | SBS2038 | FSB718 |
| .GF.1124 | FSB814 | .GF.0242/3 | FSB872 | .GF.1302 | FSB929 | SBS2060 | FSB719 |
| .GF.1126 | FSB815 | .GF.0127 | FSB873 | .GF.1276 | FSB931 | SBS2094 | FSB720 |
| .GF.1185 | FSB816 | .GF.0128 | FSB874 | .GF.1274 | FSB932 | SBS2014 | FSB721 |
| .GF.1159 | FSB817 | .GF.0087 | FSB875 | .GF.1291 | FSB933 | SBS2183 | FSB721 |
| .GF.0183 | FSB818 | .GF.0201 | FSB876 | .GF.1275 | FSB934 | SBS2015 | FSB722 |
| .GF.1044 | FSB819 | .GF.1151 | FSB877 | .GF.0258/9 | FSB935 | SBS2017 | FSB723 |
| .GF.1154 | FSB820 | .GF.0197/8 | FSB878 | .GF.1279 | FSB936 | SBS2016 | FSB724 |
| .GF.1176 | FSB821 | .GF.0160 | FSB879 | .GF.0260 | FSB937 | SBS2018 | FSB725 |
| .GF.1128 | FSB822 | .GF.0176 | FSB880 | .GF.0261 | FSB938 | SBS2111 | FSB725 |
| .GF.1145 | FSB823 | .GF.0177 | FSB881 | .GF.0262 | FSB939 | SBS2020 | FSB726 |
| .GF.1260 | FSB824 | .GF.0166/7 | FSB882 | .GF.0263 | FSB940 | SBS2101 | FSB727 |
| .GF.1153 | FSB825 | .GF.1300 | FSB883 | .GF.0264 | FSB941 | SBS2103 | FSB728 |
| .GF.1155 | FSB826 | .GF.0115 | FSB884 | .GF.1209 | FSB942 | SBS2112 | FSB730 |
| .GF.1156 | FSB827 | .GF.0130 | FSB885 | .GF.1210 | FSB943 | SBS2028 | FSB731 |
| .GF.1183 | FSB828 | .GF.0174 | FSB886 | .GF.1258 | FSB944 | SBS2032 | FSB732 |
| .GF.0247 | FSB829 | .GF.0224 | FSB887 | .GF.1263 | FSB945 | SBS2034 | FSB733 |
| .GF.1250 | FSB831 | .GF.0234 | FSB888 | .GF.1305 | FSB946 | SBS2037 | FSB734 |
| .GF.1241 | FSB832 | .GF.0190 | FSB889 | .GF.1303 | FSB947 | SBS2064 | FSB735 |
| .GF.1181 | FSB833 | .GF.0162 | FSB890 | .GF.1304 | FSB948 | SBS2066 | FSB736 |
| .GF.1182 | FSB834 | .GF.0159 | FSB891 | .GF.1224 | FSB950 | SBS2049 | FSB737 |
| .GF.1084 | FSB835 | .GF.0249 | FSB892 | .GF.0265 | FSB951 | SBS2050 | FSB738 |
| .GF.1088 | FSB836 | .GF.0250 | FSB893 | .GF.0266 | FSB952 | SBS2021 | FSB739 |
| .GF.0218 | FSB837 | .GF.0251 | FSB894 | .GF.0267 | FSB953 | SBS2029 | FSB740 |
| .GF.0214 | FSB838 | .GF.0252 | FSB895 | .GF.0268 | FSB954 | SBS2072 | FSB741 |
| .GF.0089 | FSB839 | .GF.0254 | FSB896 | .GF.1308 | FSB956 | SBS2024 | FSB742 |
| .GF.0149 | FSB840 | .GF.0097 | FSB897 | .GF.1309 | FSB957 | SBS2070 | FSB743 |
| .GF.0232 | FSB841 | .GF.0200 | FSB898 | .GF.1310 | FSB958 | SBS2075 | FSB743 |
| .GF.0150 | FSB842 | .GF.0221 | FSB899 | .GF.1311 | FSB959 | SBS2042 | FSB746 |
| .GF.0170 | FSB843 | .GF.0244 | FSB900 | .GF.1312 | FSB960 | SBS2031 | FSB747 |
| .GF.0219 | FSB844 | .GF.0204 | FSB901 | .GF.1314 | FSB962 | SBS2082 | FSB748 |
| .GF.0235 | FSB845 | .GF.0151 | FSB902 | .GF.1316 | FSB963 | SBS2030 | FSB751 |
| .GF.0225 | FSB846 | .GF.0228 | FSB903 | .GF.1317 | FSB964 | SBS2077 | FSB751 |
| .GF.0084 | FSB847 | .GF.0222 | FSB904 | .GF.0269 | FSB965 | SBS2048 | FSB753 |
| .GF.0226 | FSB848 | .GF.0097/A | FSB905 | .GF.1207 | FSB966 | SBS2194 | FSB754 |
| .GF.0213 | FSB849 | .GF.0245 | FSB906 | .GF.1318 | FSB967 | SBS2043 | FSB756 |
| .GF.1110 | FSB850 | .GF.0153 | FSB907 | | | SBS2047 | FSB757 |
| .GF.1266 | FSB851 | .GF.0210 | FSB908 | SBS | Ferodo | SBS2193 | FSB758 |
| .GF.0208 | FSB852 | .GF.0233 | FSB909 | SBS2139 | FSB700 | SBS2019 | FSB760 |
| .GF.0212 | FSB853 | .GF.0152 | FSB910 | SBS2140 | FSB701 | SBS2046 | FSB761 |
| .GF.1131 | FSB854 | .GF.0200/A | FSB911 | SBS2010 | FSB702 | SBS2189 | FSB762 |
| .GF.1133 | FSB855 | .GF.0215 | FSB912 | SBS2011 | FSB703 | SBS2036 | FSB763 |
| .GF.0236 | FSB856 | .GF.1162 | FSB913 | SBS2012 | FSB704 | SBS2182 | FSB764 |
| .GF.1135 | FSB857 | .GF.0256 | FSB914 | SBS2013 | FSB705 | SBS2065 | FSB765 |
| .GF.0203 | FSB858 | .GF.0257 | FSB915 | SBS2069 | FSB706 | SBS2192 | FSB766 |
| .GF.0209 | FSB859 | .GF.1075 | FSB916 | SBS2023 | FSB707 | SBS2035 | FSB767 |
| .GF.1283 | FSB860 | .GF.1076 | FSB917 | SBS2058 | FSB708 | SBS2063 | FSB769 |
| .GF.1284 | FSB861 | .GF.1081 | FSB918 | SBS2026 | FSB709 | SBS2113 | FSB770 |
| .GF.0253 | FSB862 | .GF.1090 | FSB919 | SBS2027 | FSB710 | SBS2191 | FSB771 |
| .GF.1294 | FSB863 | .GF.1091 | FSB920 | SBS2059 | FSB711 | SBS2115 | FSB772 |
| .GF.1180 | FSB864 | .GF.1092 | FSB921 | SBS2074 | FSB712 | SBS2097 | FSB773 |
| .GF.1271 | FSB865 | .GF.1104 | FSB922 | SBS2041 | FSB713 | SBS2104 | FSB776 |
| .GF.1272 | FSB866 | .GF.1111 | FSB923 | SBS2057 | FSB714 | SBS2181 | FSB777 |
| .GF.1277 | FSB867 | .GF.1112 | FSB924 | SBS2080 | FSB715 | SBS2108 | FSB778 |
| .GF.0024 | FSB869 | .GF.1212 | FSB925 | SBS2025 | FSB717 | SBS2107 | FSB779 |
| .GF.0246 | FSB870 | .GF.1201 | FSB927 | SBS2056 | FSB717 | SBS2099 | FSB780 |

BRAKE SHOES X-REF

COMPETITORS TO FERODO

| SBS | Ferodo |
|---------|--------|
| SBS2098 | FSB782 |
| SBS2022 | FSB783 |
| SBS2052 | FSB784 |
| SBS2102 | FSB786 |
| SBS2088 | FSB793 |
| SBS2197 | FSB794 |
| SBS2091 | FSB795 |
| SBS2039 | FSB797 |
| SBS2087 | FSB798 |
| SBS2040 | FSB799 |
| SBS2092 | FSB801 |
| SBS2093 | FSB802 |
| SBS2141 | FSB804 |
| SBS2117 | FSB812 |
| SBS2118 | FSB813 |
| SBS2120 | FSB814 |
| SBS2121 | FSB815 |
| SBS2122 | FSB816 |
| SBS2171 | FSB823 |
| SBS2172 | FSB824 |
| SBS2116 | FSB850 |
| SBS2143 | FSB863 |
| SBS2146 | FSB874 |
| SBS2188 | FSB883 |
| SBS2185 | FSB892 |
| SBS2184 | FSB893 |
| SBS2186 | FSB894 |
| SBS2187 | FSB895 |
| SBS2196 | FSB910 |
| SBS2033 | FSB913 |
| SBS2044 | FSB925 |
| SBS2051 | FSB927 |
| SBS2114 | FSB928 |
| SBS2085 | FSB931 |
| SBS2054 | FSB932 |
| SBS2178 | FSB933 |
| SBS2053 | FSB934 |
| SBS2195 | FSB938 |
| SBS2200 | FSB940 |
| SBS2071 | FSB943 |
| SBS2045 | FSB944 |
| SBS2198 | FSB946 |
| SBS2207 | FSB946 |
| SBS2199 | FSB947 |
| SBS2204 | FSB953 |
| SBS2205 | FSB954 |
| SBS2201 | FSB956 |
| SBS2202 | FSB957 |
| SBS2203 | FSB958 |
| VESRAH | Ferodo |
| VB134 | FSB702 |
| VB141 | FSB703 |
| VB101 | FSB704 |
| VB110 | FSB704 |
| VB126 | FSB705 |

| VESRAH | Ferodo |
|--------|--------|
| VB130 | FSB706 |
| VB125 | FSB707 |
| VB132 | FSB708 |
| VB136 | FSB709 |
| VB129 | FSB710 |
| VB133 | FSB711 |
| VB142 | FSB713 |
| VB159 | FSB713 |
| VB150 | FSB714 |
| VB416 | FSB717 |
| VB413 | FSB718 |
| VB412 | FSB719 |
| VB322 | FSB720 |
| VB302 | FSB721 |
| VB409 | FSB721 |
| VB410 | FSB721 |
| VB312 | FSB722 |
| VB406 | FSB722 |
| VB310 | FSB723 |
| VB309 | FSB724 |
| VB407 | FSB724 |
| VB308 | FSB725 |
| VB313 | FSB726 |
| VB314 | FSB727 |
| VB323 | FSB727 |
| VB311 | FSB728 |
| VB224 | FSB730 |
| VB229 | FSB731 |
| VB212 | FSB732 |
| VB223 | FSB733 |
| VB235 | FSB733 |
| VB208 | FSB734 |
| VB210 | FSB734 |
| VB228 | FSB734 |
| VB225 | FSB735 |
| VB231 | FSB736 |
| VB233 | FSB737 |
| VB140 | FSB740 |
| VB128 | FSB741 |
| VB127 | FSB742 |
| VB138 | FSB743 |
| VB149 | FSB744 |
| VB144 | FSB745 |
| VB143 | FSB746 |
| VB154 | FSB746 |
| VB137 | FSB747 |
| VB151 | FSB748 |
| VB139 | FSB749 |
| VB148 | FSB751 |
| VB158 | FSB755 |
| VB135 | FSB760 |
| VB146 | FSB761 |
| VB234 | FSB763 |
| VB226 | FSB764 |
| VB319 | FSB764 |
| VB230 | FSB765 |

| VESRAH | Ferodo |
|--------|--------|
| VB220 | FSB767 |
| VB227 | FSB769 |
| VB206 | FSB770 |
| VB305 | FSB773 |
| VB328 | FSB777 |
| VB315 | FSB779 |
| VB307 | FSB780 |
| VB321 | FSB784 |
| VB318 | FSB785 |
| VB316 | FSB786 |
| VB324 | FSB791 |
| VB325 | FSB792 |
| VB404 | FSB793 |
| VB419 | FSB794 |
| VB405 | FSB795 |
| VB408 | FSB797 |
| VB414 | FSB798 |
| VB411 | FSB799 |
| VB415 | FSB801 |
| VB417 | FSB802 |
| VB330 | FSB883 |
| VB219 | FSB913 |
| VB147 | FSB925 |
| VB124 | FSB942 |
| VB119 | FSB943 |
| VB152 | FSB945 |
| VB157 | FSB946 |
| VB239 | FSB947 |
| VB123 | FSB966 |