

INDEX

Page Number

New Water Pumps	ii
Discontinued Items	ii
Available Fan Clutch Items	ii
High Performance Water Pumps	iii
New GMB Water Pumps and Fan Clutches	iv
Common Water Pump Failures (Troubleshooting)	vi
New Water Pump Installation Instructions	vii
Fan Clutch Installation Instructions	vii
Alphabetical / Application Listing	1
Buyer's Guide / Numerical Listing	43
Water Pump Pictures	46
Interchange – Casting Numbers	50
Interchange – OEM Number to Our Number	51

MAKE/MODEL INDEX

MAKE	Part Code	Page No.	MAKE	Part Code	Page No.	MAKE	Part Code	Page No.
Acura	135	1	Hyundai	146	21	Mitsubishi	120/148	32
Audi	180	1	Infiniti	150	22	Nissan	150	33
BMW	115	3	Isuzu Truck	130/140	23	Oldsmobile	130	34
Buick	130	4	Jaguar	125	23	Plymouth	120	35
Cadillac	130	5	Jeep	120	24	Pontiac	130/170	35
Chevrolet	130	5	Kia	143/145/146	25	Porsche	180	36
Chrysler	120/147/148	10	Land Rover	125/144	25	Saab	130/160	37
Dodge	120/148	12	Lexus	170	26	Saturn	130	37
Eagle	120	14	Lincoln	125	27	Subaru	160	38
Ford	125/145	14	Mazda	125/145	27	Suzuki	165	39
GMC Truck	130	17	Mercedes Benz	147	28	Toyota	130/170	39
Honda	135/140	20	Mercury	125/145	31	Volkswagen	180	41
Hummer	130	21	Mini	148	32	Volvo	190	42

IMPORTANT NOTICE

The data listed herein is correct to the best of our knowledge and belief, having been compiled from reliable and official sources of information. However, we cannot assume any responsibility for possible errors.

New Part Numbers Introduced in this Catalog

New Part Numbers	Year	Make	Cyl.	Engine
115-3090	2006-92	BMW	L6	2.5L,2.8L,3.0L
115-3100	2008-02	BMW	V8	4.4L,4.8L
115-3110	2007-01	BMW	L6	3.2L
120-7170	2009-05	Chrysler, Dodge	V6	3.5L,4.0L
120-7180	2009-07	Chrysler, Dodge, Jeep	L4	2.0L,2.4L
120-7220	2006-04	Dodge	L5	2.7L
125-2430	2008-04	Mazda	R2	1.3L
125-2450	2007-04	Ford	V8	6.0L
125-9050	2007-05	Ford, Mercury	V6	3.0L
125-9060	2007	Ford, Lincoln	V6	3.5L
130-1920	2008-04	Chevrolet	L4	1.6L
130-2030	2007-06	Chevrolet, GMC	V8	6.6L
130-2040	2009-05	Buick, Chevrolet, Pontiac	V8	5.3L
130-9660	2009-06	Buick, Chevrolet, Pontiac, Saturn	V6	3.5L,3.9L
135-6980	2007-06	Honda	L4	1.8L
144-2040	2005-02	Land Rover	V6	2.5L
146-7310	2009-99	Hyundai, Kia	V6	2.5L,2.7L
147-2270	2004-98	Mercedes-Benz	L4	2.3L
147-9060	2005-03	Mercedes-Benz	L4	1.8L
147-9070	2006-05	Mercedes-Benz	L6	3.2L
170-3940	2009-03	Toyota	V6	4.0L
170-7370	2009-05	Lexus, Toyota	V6	3.5L

Discontinued Items

115-2095	Water Pump
115-2180	Water Pump
115-2230	Water Pump
120-4360	Water Pump
125-5890	Water Pump
125-9020	Water Pump
130-7341	Water Pump
135-2390	Water Pump
135-2430	Water Pump
140-2400	Water Pump
144-2003	Water Pump
145-2510	Water Pump
146-7320	Water Pump
165-2050	Water Pump
180-2250	Water Pump
180-9030	Water Pump

Available Fan Clutch Items

Fan Clutch	for	Water Pump
140-1192	for	Isuzu Amigo, Trooper, Pickup L4
150-1112	for	Nissan 1200 L4
150-1162	for	Nissan 240Z, 260Z, 280Z, 280ZX MAXIMA
170-1312	for	Toyota Corolla 1.6 L4
170-1322	for	Toyota Celica, Corona, Pickup L4
170-1402	for	Toyota Crown, MARK II L6
170-1542	for	Toyota Van L4



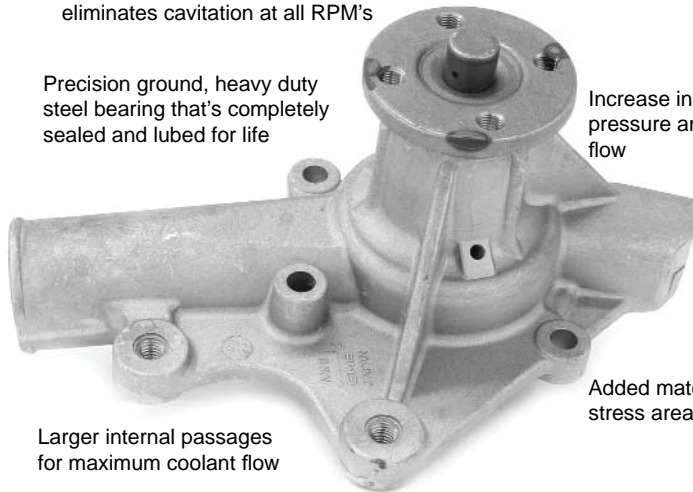
Performance Series



High performance impeller eliminates cavitation at all RPM's

Precision ground, heavy duty steel bearing that's completely sealed and lubed for life

Increase in pump pressure and water flow



Larger internal passages for maximum coolant flow

Added material in critical stress areas for long life

Water Pumps built to beat the heat

GMB *Performance Series Water Pumps* are designed and built to combat engine overheating associated with higher performance and load applications.

GMB High Performance Water Pumps feature a precision ground, heavy duty steel bearing that's completely sealed and lubed for life. A specially modified high performance impeller maintains maximum volumetric flow of coolant throughout the engine.

Additional features of GMB *Performance Series Water Pumps* are:

- Increase pump pressure and flow
- Eliminates steam pockets trapped inside the engine block
- Reduces engine temperature faster than standard water pumps

Incredibly efficient. Built to survive. Features every performance enthusiast can appreciate. GMB, the clear choice for true high performance water pumps.

For *Performance Series Water Pump* applications, refer to catalog under vehicle listing, then, using the chart below, cross reference the *Standard Pump* part number to the *Performance Pump* part number.

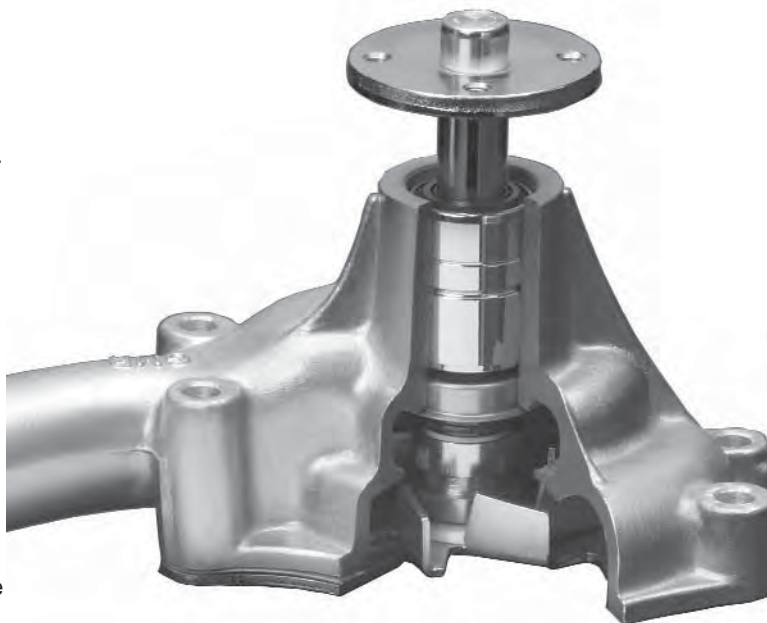
PERFORMANCE SERIES PUMP	STANDARD PUMP	PERFORMANCE SERIES PUMP	STANDARD PUMP	PERFORMANCE SERIES PUMP	STANDARD PUMP
* 110-1010P	110-1010	125-1270P	125-1270	130-1220P	130-1220
110-1030P	110-1030	* 125-1350P	125-1350	* 130-1250P	130-1250
110-1040P	110-1040	125-1370P	125-1370	130-1260P	130-1260
110-1050P	110-1050	125-1420P	125-1420	* 130-1270P	130-1270
110-1060P	110-1060	* 125-1440P	125-1440	130-1280P	130-1280
110-1070P	110-1070	125-1560P	125-1560	* 130-1310P	130-1310
110-1080P	110-1080	125-1570P	125-1570	130-1320P	130-1320
110-1090P	110-1090	125-1670P	125-1670	130-1350P	130-1350
120-1070P	120-1070	125-1700P	125-1700	* 130-1360P	130-1360
120-1200P	120-1200	125-1800P	125-1800	130-1560P	130-1560
* 120-1250P	120-1250	125-1820P	125-1820	* 130-1620P	130-1620
120-3020P	120-3020	125-1850P	125-1850	* 130-1690P	130-1690
120-3041P	120-3041	125-1920P	125-1920	* 130-1700P	130-1700
120-3071P	120-3071	125-1930P	125-1930	* 130-1820P	130-1820
125-1110P	125-1110	125-1940P	125-1940	* 130-1830P	130-1830
125-1230P	125-1230	130-1010P	130-1010	* 130-2981P	130-2981
125-1260P	125-1260	130-1070P	130-1070	* 130-2985P	130-2985

*CAST IRON WITH SPECIAL IMPELLER

New GMB Water Pumps & Fan Clutches

NEW VS. REBUILT WATER PUMPS

The most obvious reason for installing a new GMB water pump is the precision matched manufacturing of every component. GMB water pumps far exceed the quality and performance of the original equipment. That's because GMB engineers, working from OE manufacturer blueprints and sample parts, design GMB water pumps for optimum performance to exceed the life and performance of original equipment. GMB water pumps use superior alloy materials and state-of-the-art manufacturing techniques that guarantee unparalleled precision and superlative operation for the life of your vehicle. That's why, when you choose a GMB water pump, you can be sure it's the last one you'll ever buy for your vehicle. For the money, some people believe that a rebuilt factory water pump is a vehicle alternative to a new GMB replacement water pump. Not True! Think about it. A rebuilt water pump started life as a plain old, OEM pump. It's been rebuilt because it's worn out! In the rebuilding process, many of the old components considered still serviceable are reused. At best, it's a gamble.



Considering the time and expense of installing a replacement water pump, it just makes good sense to insure that it's the last time you'll ever have to do it. The no risk, GMB water pumps can't be beat.

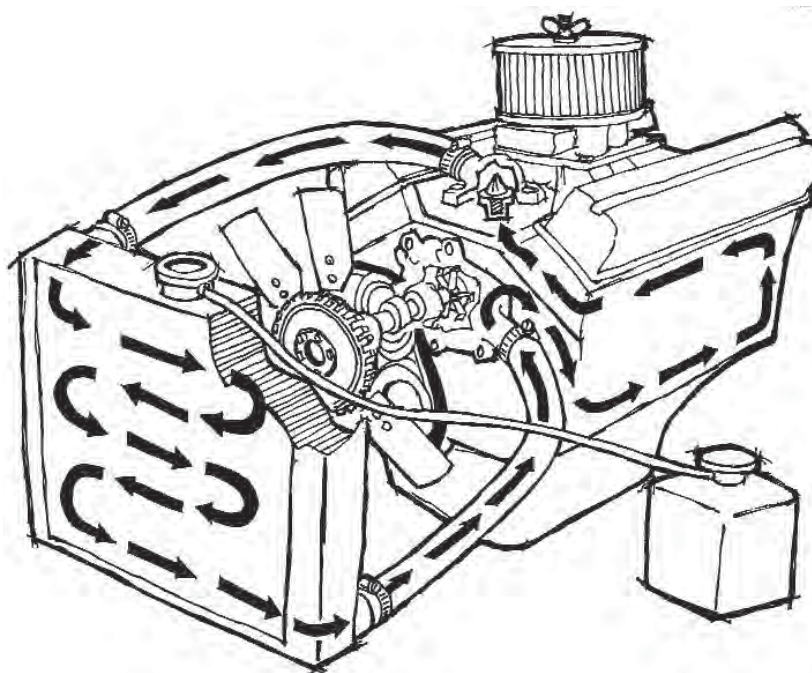
Cooling System Overview

Radiator

The radiator is responsible for transfer of heat from the circulating coolant to the air passing through it. Heated coolant flows into the top of the radiator from the engine. The coolant is passed through a series of tubes and fins that effectively dissipate the heat in the coolant.

Radiator Cap

Modern radiator caps are actually pressure valves that are responsible for increasing and regulating pressure in the coolant system. Increasing the coolant system pressure raises the boiling point of the coolant. For every additional pound of atmospheric pressure the coolant boiling point increases 3 deg. F.



How to tell if a water pump is defective

1. Check for shaft seal failure by carefully inspecting the water pump weep hole. When a water pump is new, some seepage is normal in the initial hours of operation as the seal seats. Other than that, any leakage that occurs is due to seal failure and the pump needs replacement. There may be tell tale trails of rust, calcium and coolant deposits on the water pump housing with the weep hole as the origin.

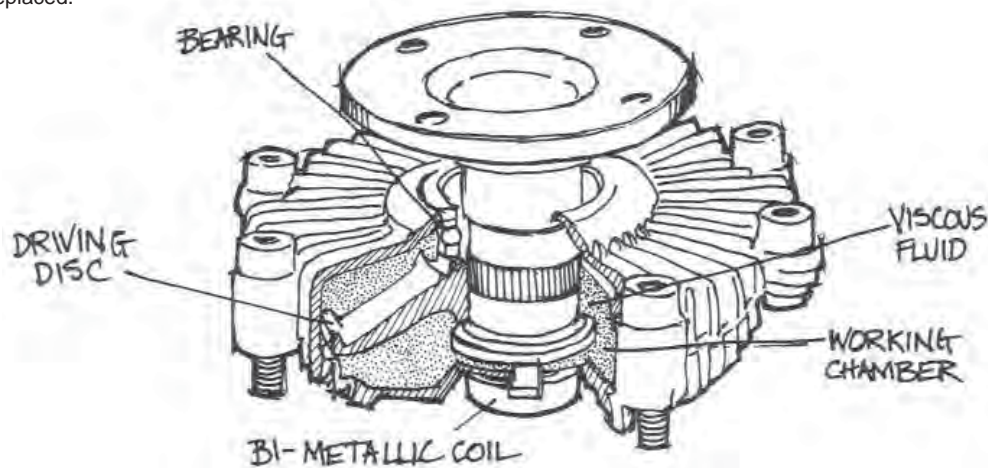
2. Detect a worn water pump bearing by checking for side-to-side play at the shaft. There should be no perceptible play as you apply hand pressure to the shaft. Accelerated bearing wear is characterized by screeching or rumbling noises coming from the water pump housing. If any of these conditions exist, the bearing is worn out and the pump should be replaced.

How to tell if a fan clutch is defective

1. Check for oil streaks (or dust collected on oil streaks) on the fan clutch. It's a sure sign that the internal fluid that provides the clutch action is leaking.

2. To check for a worn bearing, grasp the fan blade on either end, with the engine off, and check for lateral movement. If there is more than 1/4" of side-to-side movement, the bearing is worn and the unit needs replacement.

3. In checking for proper fan clutch operation, first run the engine until operating temperature is reached. Next, with the engine off, give the fan blade a gentle spin. If it rotates more than twice the clutch is worn and needs replacing. If fan rotation is rough or noisy, or the fan fails to turn, the unit is worn out and needs replacement.



Coolant

Coolant, flowing through the hot engine, transfers the heat to itself for dissipation in the radiator. In addition to providing improved performance over plain tap water, most leading anti-freeze products contain anti-rust and corrosion additives that prevent sediment build-up and premature cooling system component failure.

Coolant Recovery Tank

The coolant recovery tank serves as a reservoir. It receives coolant expelled from the cooling system through the pressure valve in the radiator cap. It holds the expelled coolant for reintroduction into the cooling system when needed. When additional coolant is needed in the system, it should be added to the recovery tank, not directly to the radiator.

Fan

The fan pulls cool air through the radiator to aid heat-transfer from the coolant.

Fan Clutch

The fan clutch is designed to keep the optimum amount of air flowing through the radiator. At slow vehicle speeds, the fan is

required to move enough air through the radiator to insure proper cooling. At highway speeds the airflow through the radiator is sufficient to provide proper cooling without the aid of the fan. The clutch lets the fan free wheel at highway speeds, reducing horsepower loss.

Belts

The belts are responsible for driving the water pump, as well as other accessories. Be sure they are in good shape and adjustment, not worn, cracked or slipping. Never over tighten belts. Over tightened belts put unnecessary side-load pressures on the water pump impeller shaft and bearings. Premature water pump failure is inevitable.

Hoses

Radiator hoses are responsible for carrying coolant to and from the engine from the radiator. They should be regularly checked for signs of advanced deterioration, such as bulging and cracking. Healthy hoses should be pliable. Not soft and spongy, or hard and brittle. Any sign of leakage could mean its time for replacement.

Thermostat

The thermostat is responsible for regulating the flow of coolant into the engine block. It keeps the engine block at its optimum operating temperature. When the engine is cold, the thermostat closes to restrict coolant flow and allow the engine to quickly reach a satisfactory operating temperature. As the engine heats up, the thermostat opens and allows more coolant to circulate. A sticky thermostat can stop or restrict coolant flow to the engine.

Water Pump

The water pump delivers a continuous flow of coolant through the radiator and through the engine. A paddle style impeller mounted inside the water pump housing, rotating on a bearing supported shaft, is responsible for moving the coolant. The impeller shaft is driven externally by a pulley/belt combination that's connected to the crankshaft pulley. Keeping the coolant clean and fresh and the belts properly tensioned is about all the maintenance the water pump requires.

Common Water Pump Failures and Their Causes

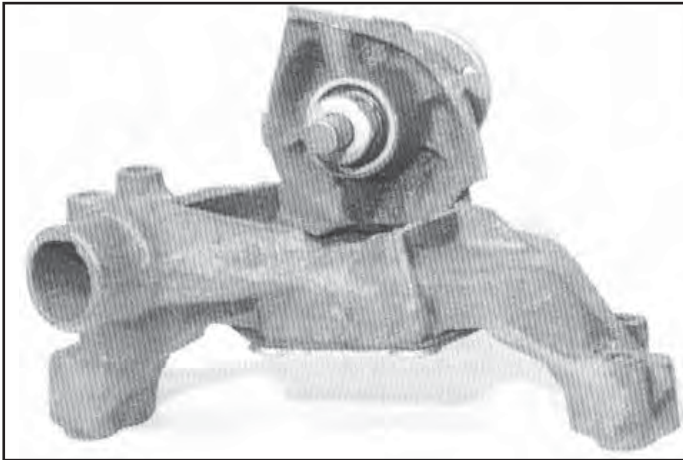


Figure 1

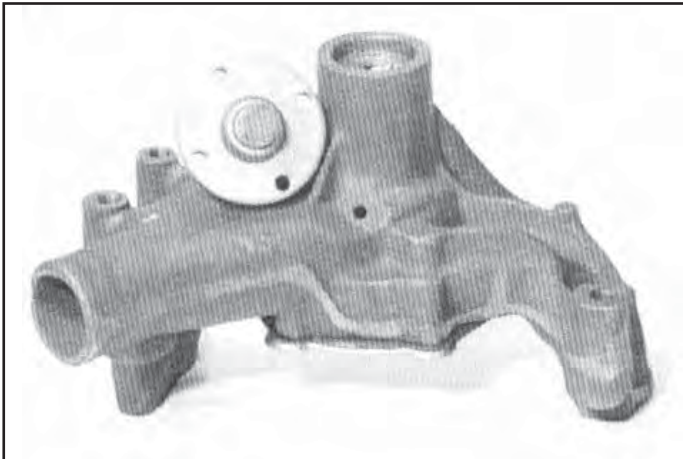


Figure 2

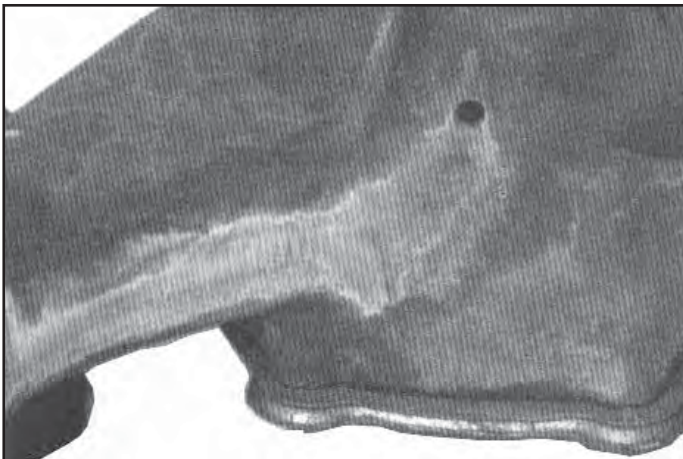


Figure 3

BROKEN WATER PUMP HOUSINGS AND SHAFTS COMMONLY CAUSED BY:

(FIGURES 1 & 2)

Excessive Vibration & Unbalance
due to:

- Bent, Cracked or Broken Fan
- Fan not squarely mounted on the shaft
- Cracked or Bent Pulleys due to improper handling or installation.

Belts Too Tight

- Over tightened belts cause over loads on the bearing, greatly reducing its operating life
- They also impose a powerful bending force on the shaft causing it to deflect substantially from true center rotation. The result is large unbalanced and early fracture

SEEPAGE FROM THE WEEP HOLE

(FIGURE 3)

Seepage from the weep hole is a sure sign of seal failure. The life of the seal can be greatly extended by performing regular maintenance on your cooling system. Periodic inspection of hoses and coolant recovery tank will assure coolant levels are correct and that no atmospheric contaminants that can cause oxidation and sludge build-up are present. Sludge build-up in the cooling system is a primary cause of seal failure as well as reduced cooling system efficiency.

NEW WATER PUMP INSTALLATION INSTRUCTIONS:

Heavy duty water pump designed and manufactured for maximum Performance featuring:

Precision ground steel heavy duty bearing sealed and lubed for life.

Unitized seal for maximum protection against leaking.

Vertical breather located under hub, replaces conventional weep hole on some water pumps.

To insure best results, follow these step-by-step instructions:

- 1** Flush cooling system of all sediment, rust & scale before removing old water pump.
- 2** Disconnect fan, fan clutch, hoses and fan belts.
- 3** Remove old water pump, clean impeller cavity in engine block & clean gasket surface
- 4** Tighten steel back plate bolts on water pump where applicable.
- 5** Coat new gaskets on both sides with sealer and position on pump or engine block.
- 6** Install new water pump. **DO NOT STRIKE SHAFT.** This can damage bearings. Tighten bolts evenly in crossing pattern.
- 7** Turn pumps shaft by hand for free rotation.
- 8** Reinstall hoses & belts. Be sure belt & pulley line up.
- 9** Fill radiator with fresh coolant and check for leaks.
- 10** Check fan blades. If bent, cracked or rivets are loose, replace entire fan. Do not try to straighten.
- 11** If equipped with fan clutch, check fan clutch for loss of oil, looseness or wobble. Replace if damaged.
- 12** Install fan clutch. Check that it sits flat on pump hub. Use lock washers & torque bolts evenly for wobble free operation.
- 13** Tighten fan belts to factory recommended tension. Use a commercial tension gauge or adjust belt movement from $\frac{1}{2}$ " to $\frac{3}{4}$ " as recommended.
- 14** Check fan clearance at blade tip between shroud and radiator.
- 15** Start engine and run until operating temperature is reached. Check for leaks and smooth operation.
- 16** Shut off engine, let cool, remove radiator cap and top off radiator coolant.

NEW FAN CLUTCH INSTALLATION INSTRUCTIONS:

Heavy duty water pump designed and manufactured for maximum Performance featuring:

- PROVIDES:**
- Increased Cooling
 - Increased Fuel Economy
 - Increased Horse Power

To insure best results, follow these step-by-step instructions:

- 1** Flush cooling system of all sediment, rust & scale.
- 2** Remove fan, fan clutch and fan belts. Check fan blade. If bent, cracked or rivets are loose, replace entire fan. Do not try to straighten.
- 3** Check water pump for leaks or wear. Replace if necessary.
- 4** Mount fan blade squarely on fan clutch and tighten to 15 lbs. of torque.
- 5** Install fan clutch. Check that it sits flat on water pump hub. Use lock washers and tighten to 15 lbs. of torque. Check for wobble free operation and clearance of blade tip between shroud and radiator.
- 6** Install fan belts. Be sure belt and pulley line up. Tighten fan belts to factory recommended tension. Use a commercial tension gauge or adjust belt movement from $\frac{1}{2}$ " to $\frac{3}{4}$ " as recommended.
- 7** Fill radiator with fresh coolant and check for leaks.
- 8** Start engine and run until operating temperature is reached. Check for smooth operation.
- 9** Shut off engine, let cool, remove radiator cap and top off radiator coolant.

THIS PAGE WAS INTENTIONALLY LEFT BLANK

							WATER PUMP		
YEAR	TYPE	LITER	C.C.	CID	VIN	DES'G	INSTALLATION ADVICE	STANDARD	PERFORMANCE
ACURA									
CL									
1999-97	V6	3.0	2997			J30A1		135-2380	---
2003-01	V6	3.2	3210			J32A1		135-2380	---
2003-01	V6	3.2	3210			J32A2		135-2380	---
MDX									
2006-03	V6	3.5	3471			J35A5		135-1530	---
2002-01	V6	3.5	3471			J35A3		135-2380	---
2008-07	V6	3.7	3664			J37A1		135-1530	---
NSX									
2005-91	V6	3.0	2977			C30A1		135-2085	---
2005-97	V6	3.2	3179			C32B1		135-2085	---
RL									
2008-05	V6	3.5	3471			J35A8		135-1530	---
2004-96	V6	3.5	3475			C35A1		135-2360	---
RSX									
2006-05	L4	2.0	1998			K20Z1		135-1510	---
2006-02	L4	2.0	1998			K20A3		135-1520	---
2004-02	L4	2.0	1998			K20A2		135-1510	---
TL									
2008-04	V6	3.2	3210			J32A3		135-1530	---
2003-99	V6	3.2	3210			J32A1		135-2380	---
2003-02	V6	3.2	3210			J32A2		135-2380	---
2008-07	V6	3.5	3471			J35A8		135-1530	---
TSX									
2005	L4	2.4	2354			K24A2	To Engine 2035525	135-1500	---
2004	L4	2.4	2354			K24A2		135-1500	---
AUDI									
90									
1995	V6	2.8	2771		A,K	AAH	(A, K) Fr. Ch. # 8CS025821	180-2120	---
1995	V6	2.8	2771		A,K	AFC	(A, K) Fr. Ch. # 8CS025821	180-2120	---
90 QUATTRO									
1995	V6	2.8	2771		A,K	AFC	(A, K) Fr. Ch. # 8CS025821	180-2120	---
1995	V6	2.8	2771		E	AFC	(E) Fr. Ch. # 8CS025821	180-2120	---
A4									
2006-03	L4	1.8	1781			AMB		180-2220	---
2004-02	L4	1.8	1781		C	AMB		180-2220	---
2001	L4	1.8	1781		C	AWM		180-2220	---
2001-00	V6	2.8	2771		H	ATQ		180-2120	---
1999-98	V6	2.8	2771		D	AHA		180-2120	---
1997-96	V6	2.8	2771		A	AFC	(A)	180-2120	---
1997	V6	2.8	2771		A	AHA	(A)	180-2120	---
2005	V6	3.0	2976			BGN		180-9010	---
2004-02	V6	3.0	2976		T	AVK		180-9010	---
A4 QUATTRO									
2005-04	L4	1.8	1781			AMB		180-2220	---
2004-02	L4	1.8	1781		C	AMB		180-2220	---
2001	L4	1.8	1781		C	AWM		180-2220	---
2001	L4	1.8	1781			AWM		180-2220	---
2001-00	V6	2.8	2771		H	ATQ		180-2120	---
1999-98	V6	2.8	2771		D	AHA		180-2120	---
1997-96	V6	2.8	2771		A	AFC	(A)	180-2120	---
2006-05	V6	3.0	2976			BGN		180-9010	---
2004-02	V6	3.0	2976		T	AVK		180-9010	---

							WATER PUMP		
YEAR	TYPE	LITER	C.C.	CID	VIN	DES'G	INSTALLATION ADVICE	STANDARD	PERFORMANCE
AUDI (Cont'd)									
A6									
2001-00	V6	2.8	2771		H	ATQ		180-2120	---
1999-98	V6	2.8	2771		A	AHA		180-2120	---
1998	V6	2.8	2771		A	AFC		180-2120	---
1997-96	V6	2.8	2771		A,C	AFC	(A, C)	180-2120	---
1995	V6	2.8	2771		A	AFC	(A) Fr. Ch. # 4ASO26715	180-2120	---
2004-02	V6	3.0	2976		T	AVK		180-9010	---
A6 QUATTRO									
2004-03	V6	2.7	2671		D	BEL		180-2240	---
2002-00	V6	2.7	2671		D	APB		180-2240	---
2001-00	V6	2.8	2771		H	ATQ		180-2120	---
1999	V6	2.8	2771		A	AHA		180-2120	---
1998	V6	2.8	2771			AFC		180-2120	---
1998	V6	2.8	2771			AHA		180-2120	---
1997-96	V6	2.8	2771		A,C	AFC	(A, C)	180-2120	---
1995	V6	2.8	2771		A	AFC	(A) Fr. Ch. # 4ASO26715	180-2120	---
2004-02	V6	3.0	2976		T	AVK		180-9010	---
2004-01	V8	4.2	4172		L	AWN		180-2250	---
2000	V8	4.2	4172		L	ART		180-2250	---
A8									
1999-97	V8	3.7	3697		F	AEW		180-2260	---
A8 QUATTRO									
2004	V8	4.2	4172			BFM		180-2260	---
2003-01	V8	4.2	4172		L	AUX		180-2250	---
2003-00	V8	4.2	4172		L	AKB		180-2250	---
1999-98	V8	4.2	4172		G	ABZ		180-2260	---
1997	V8	4.2	4172		G	ABZ	(G, L)	180-2260	---
ALLROAD QUATTRO									
2005	V6	2.7	2671			BEL		180-2240	---
2004-03	V6	2.7	2671		D	BEL		180-2240	---
2002	V6	2.7	2671		D	APB		180-2240	---
2001	V6	2.7	2671		P	APB		180-2240	---
CABRIOLET									
1998	V6	2.8	2771		A	AFC		180-2120	---
1997-95	V6	2.8	2771		A	AFC	(A, L) Fr. Ch. # 8GS001303	180-2120	---
1995	V6	2.8	2771		L	AFC	(A, L) Fr. Ch. # 8GS001303	180-2120	---
RS6									
2004-03	V8	4.2	4172			BCY		180-2250	---
S4									
2002-00	V6	2.7	2671		D	APB	(OE # 078 121 004 L)	180-2120	---
2002-00	V6	2.7	2671		D	APB	(OE # 078 121 006 A)	180-2240	---
S6									
2003-02	V8	4.2	4172		U	BBD		180-2250	---
S8									
2003	V8	4.2	4172			AYS		180-2250	---
2002	V8	4.2	4172		U	AYS		180-2250	---
2001	V8	4.2	4172		U			180-2250	---
TT									
2006-05	L4	1.8	1781			AWP		180-2220	---
2004-02	L4	1.8	1781		C	AWP		180-2220	---
2002	L4	1.8	1781		X	AWP		180-2220	---
2000	L4	1.8	1781		C	ATC		180-2220	---

WATER PUMP

YEAR	TYPE	LITER	C.C.	CID	VIN	DES'G	INSTALLATION ADVICE	STANDARD	PERFORMANCE
AUDI (Cont'd)									
TT QUATTRO									
2006-03	L4	1.8	1781			BEA		180-2220	---
2002	L4	1.8	1781			AWP	C,X	180-2220	---
2002	L4	1.8	1781			AMU	T	180-2220	---
2000	L4	1.8	1781			ATC	C	180-2220	---
2008	V6	3.2	3189	195		CBRA		180-9020	---
2006-04	V6	3.2	3189	195		BHE		180-9020	---
BMW									
323CI									
2000	L6	2.5	2494	152		M52		115-3090	---
323I									
2000-99	L6	2.5	2494	152		M52		115-3090	---
325CI									
2006-01	L6	2.5	2494	152		M54		115-3090	---
2003	L6	2.5	2494	152		M56		115-3090	---
325I									
2005-03	L6	2.5	2494	152		M56		115-3090	---
2005-01	L6	2.5	2494	152		M54		115-3090	---
1995-93	L6	2.5	2494	152		M50TU	325i, 325is, Exc. Convertible	115-3090	---
1993-92	L6	2.5	2494	152		M20	325i, 325is, Exc. Convertible	115-3090	---
1992	L6	2.5	2494	152		M50	325i, 325is, Exc. Convertible	115-3090	---
325IS									
1995-93	L6	2.5	2494	152		M50TU	325i, 325is, Exc. Convertible	115-3090	---
1992	L6	2.5	2494	152		M50	325i, 325is, Exc. Convertible	115-3090	---
325XI									
2005-01	L6	2.5	2494	152		M54		115-3090	---
328CI									
2000	L6	2.8	2793			M52		115-3090	---
328I									
2000-99	L6	2.8	2793			M52		115-3090	---
330CI									
2006-01	L6	3.0	2979			M54		115-3090	---
330I									
2005-01	L6	3.0	2979			M54		115-3090	---
330XI									
2005-01	L6	3.0	2979			M54		115-3090	---
525I									
2005-01	L6	2.5	2494	152		M54		115-3090	---
528I									
2000-99	L6	2.8	2793			M52TU		115-3090	---
528IT									
2000-99	L6	2.8	2793			M52TU		115-3090	---
530I									
2005-01	L6	3.0	2979			M54		115-3090	---
545I									
2005-04	V8	4.4	4398			N62		115-3100	---
645CI									
2005-04	V8	4.4	4398			N62		115-3100	---

										WATER PUMP	
YEAR	TYPE	LITER	C.C.	CID	VIN	DES'G	INSTALLATION ADVICE			STANDARD	PERFORMANCE
BMW (Cont'd)											
745I											
2005-02	V8	4.4	4398			N62				115-3100	---
745LI											
2005-02	V8	4.4	4398			N62				115-3100	---
ALPINA B7											
2008-07	V8	4.4	4398			N62B44				115-3100	---
X3											
2005-04	L6	2.5	2494	152		M54				115-3090	---
2006-04	L6	3.0	2979			M54				115-3090	---
X5											
2006-01	L6	3.0	2979			M54				115-3090	---
2006-04	V8	4.4	4398			N62				115-3100	---
2006-04	V8	4.8	4837			N62B48				115-3100	---
Z3											
2002-01	L6	2.5	2494	152		M54				115-3090	---
2000-99	L6	2.5	2494	152		M52				115-3090	---
2000-99	L6	2.8	2793			M52TU				115-3090	---
2002-01	L6	3.0	2979			M54				115-3090	---
2002-01	L6	3.2	3246			S54				115-3110	---
Z4											
2005-03	L6	2.5	2494	152		M54				115-3090	---
2005-03	L6	3.0	2979			M54				115-3090	---
2007-06	L6	3.2	3246			S54	To 01/07			115-3110	---
BUICK											
CENTURY											
1989-87	V6	2.8		173	W		(W)			130-1480	---
2005-00	V6	3.1		189	J					130-1480	---
1999-94	V6	3.1		189	M					130-1480	---
ENCLAVE											
2009	V6	3.6		217	D	LLT				130-5130	---
2008	V6	3.6		217	7					130-5130	---
LACROSSE											
2008-05	V6	3.6		217	7					130-5130	---
2009-07	V6	3.8		231	2					130-1780	---
2006	V6	3.8		231	2					130-7340	---
2005	V6	3.8		231	2					130-1780	---
2009-08	V8	5.3	5328	325	C					130-2040	---
LESABRE											
2005-96	V6	3.8		231	K					130-1780	---
LUCERNE											
2008-07	V6	3.8		231	2					130-1780	---
2006	V6	3.8		231	2					130-7340	---
2009	V6	3.9	3880	237	1					130-9660	---
2009	V6	3.9	3880	237	M	LGD				130-9660	---
PARK AVENUE											
2005-96	V6	3.8		231	1,K					130-1780	---
RAINIER											
2007-04	L6	4.2		256	S					130-7700	---
2006	V8	5.3		325	M					130-7340	---
2005	V8	5.3		323	M					130-7340	---
2004	V8	5.3		323	P					130-7340	---

							WATER PUMP		
YEAR	TYPE	LITER	C.C.	CID	VIN	DES'G	INSTALLATION ADVICE	STANDARD	PERFORMANCE
BUICK (Cont'd)									
REGAL									
1989-88	V6	2.8		173	W	(W)		130-1480	---
1996-94	V6	3.1		189	M	(M, T)		130-1480	---
1993-89	V6	3.1		189	T	(M, T)		130-1480	---
2004-97	V6	3.8		231	1,K			130-1780	---
1996	V6	3.8		231	K	(K)		130-1780	---
RENDEZVOUS									
2005-02	V6	3.4		207	E			130-1480	---
2007-06	V6	3.5		213	L			130-1480	---
2006-04	V6	3.6		217	7			130-5130	---
RIVIERA									
1999-98	V6	3.8		231	1			130-1780	---
1997-96	V6	3.8		231	1,K	(1, K)		130-1780	---
SKYLARK									
1998-94	V6	3.1		189	M			130-1480	---
TERRAZA									
2006-05	V6	3.5		213	L			130-1480	---
2007-06	V6	3.9	3880	237	1			130-9660	---
2007	V6	3.9	3880	237	W	LGD		130-9660	---
CADILLAC									
CIMARRON									
1988-87	V6	2.8		173	W	(W)		130-1480	---
CTS									
2007-05	V6	2.8	2792	170	T			130-5130	---
2009-08	V6	3.6		217	V	LLT		130-5130	---
2009-04	V6	3.6		217	7			130-5130	---
DEVILLE									
2005-96	V8	4.6		281	9,Y			130-1840	---
ELDORADO									
2002-98	V8	4.6		281	9,Y			130-1840	---
ESCALADE									
2005-02	V8	5.3		325	T			130-7340	---
2000-99	V8	5.7		350	R			130-1820	---
2006-02	V8	6.0		364	N			130-7340	---
SEVILLE									
2004-98	V8	4.6		281	Y			130-1840	---
2003-98	V8	4.6		281	9			130-1840	---
1997-95	V8	4.6		281	9,Y	(9, Y)		130-1840	---
SRX									
2009-04	V6	3.6		217	7			130-5130	---
STS									
2009-08	V6	3.6		217	V	LLT		130-5130	---
2007-05	V6	3.6		217	7			130-5130	---
CHEVROLET									
ASTRO									
2005-02	V6	4.3		262	X			130-1820	---
2001-98	V6	4.3		262	W			130-1820	---
1997-96	V6	4.3		262	W	(W)		130-1820	130-1820P

							WATER PUMP		
YEAR	TYPE	LITER	C.C.	CID	VIN	DES'G	INSTALLATION ADVICE	STANDARD	PERFORMANCE
CHEVROLET (Cont'd)									
AVALANCHE 1500									
2006	V8	5.3	5328	325	Z	L59		130-7340	---
2005	V8	5.3		323	Z			130-7340	---
2004-02	V8	5.3		323	T			130-7340	---
AVALANCHE 2500									
2006-02	V8	8.1		496	G			130-7260	---
AVEO									
2008-04	L4	1.6	1598	98	6			130-1920	---
AVEO5									
2008-07	L4	1.6	1598	98	6			130-1920	---
BERETTA									
1989-87	V6	2.8		173	W	(W)		130-1480	---
1996-94	V6	3.1		189	M	(M, T)		130-1480	---
1993	V6	3.1		189	T	(M, T)		130-1480	---
1992-90	V6	3.1		189	T	(T)		130-1480	---
BLAZER									
2005-03	V6	4.3		262	X			130-1820	---
2002-98	V6	4.3		262	W			130-1820	---
1997-96	V6	4.3		262	W	(W, X)		130-1820	130-1820P
C1500									
1998	V6	4.3		262	W			130-1820	---
1997-96	V6	4.3		262	W	(W)		130-1820	130-1820P
1999-98	V8	5.0		305	M			130-1820	---
1997-96	V8	5.0		305	M	(M)		130-1820	130-1820P
1999-98	V8	5.7		350	R			130-1820	---
1997-96	V8	5.7		350	R	(R)		130-1820	130-1820P
C1500 SUBURBAN									
1999-98	V8	5.7		350	R			130-1820	---
1997-96	V8	5.7		350	R	(R)		130-1820	130-1820P
C2500									
1998	V8	5.0		305	M			130-1820	---
1997-96	V8	5.0		305	M	(M)		130-1820	130-1820P
2000-98	V8	5.7		350	R			130-1820	---
1997-96	V8	5.7		350	R	(R)		130-1820	130-1820P
C2500 SUBURBAN									
1999-98	V8	5.7		350	R			130-1820	---
1997-96	V8	5.7		350	R	(R)		130-1820	130-1820P
C3500									
2000-98	V8	5.7		350	R			130-1820	---
1997-96	V8	5.7		350	R	(R)		130-1820	130-1820P
CAMARO									
2002-96	V6	3.8		231	K			130-1780	---
1995	V6	3.8		231	K	(K)		130-7290	---
2002-00	V8	5.7		350	G			130-7290	---
CAVALIER									
2005-02	L4	2.2	2198	134	F	L61		130-7350	---
2004-03	L4	2.2		134	6			130-7350	---
1989-87	V6	2.8		173	W	(W)		130-1480	---
1994-90	V6	3.1		189	T	(T)		130-1480	---
CELEBRITY									
1989-87	V6	2.8		173	W	(W)		130-1480	---
1990	V6	3.1		189	T	(T)		130-1480	---

							WATER PUMP		
YEAR	TYPE	LITER	C.C.	CID	VIN	DES'G	INSTALLATION ADVICE	STANDARD	PERFORMANCE
CHEVROLET (Cont'd)									
CLASSIC									
2005-04	L4	2.2	2198	134	F	L61		130-7350	---
COBALT									
2009-08	L4	2.0	1998	122	X			130-7350	---
2007-05	L4	2.0		122	P			130-7350	---
2009	L4	2.2	2198	134	H	LAP		130-7350	---
2008-05	L4	2.2	2198	134	F	L61		130-7350	---
2008-06	L4	2.4		145	B			130-7350	---
COLORADO									
2006-04	L4	2.8	2770	169	8			130-7700	---
2009-07	L4	2.9	2921	178	9			130-7700	---
2006-04	L5	3.5	3460	211	6			130-7700	---
2009-07	L5	3.7	3654	223	E			130-7700	---
CORSICA									
1989-87	V6	2.8		173	W		(W)	130-1480	---
1996-94	V6	3.1		189	M		(M, T)	130-1480	---
1993	V6	3.1		189	T		(M, T)	130-1480	---
1992-90	V6	3.1		189	T		(T)	130-1480	---
CORVETTE									
2004-01	V8	5.7		350	S			130-7290	---
2004-00	V8	5.7		350	G			130-7290	---
1998	V8	5.7		350	G			130-7290	---
1997	V8	5.7		350	G		(G, S)	130-7290	---
EQUINOX									
2009-08	V6	3.6		217	7			130-5130	---
EXPRESS 1500									
2006-03	V6	4.3		262	X			130-1820	---
2002-98	V6	4.3		262	W			130-1820	---
1997-96	V6	4.3		262	W		(W)	130-1820	130-1820P
2002-98	V8	5.0		305	M			130-1820	---
1997-96	V8	5.0		305	M		(M)	130-1820	130-1820P
2006	V8	5.3		325	T			130-7340	---
2005-03	V8	5.3		323	T			130-7340	---
2002-98	V8	5.7		350	R			130-1820	---
1997-96	V8	5.7		350	R		(R)	130-1820	130-1820P
EXPRESS 2500									
2005-03	V6	4.3		262	X			130-1820	---
2002-98	V6	4.3		262	W			130-1820	---
1997-96	V6	4.3		262	W		(W)	130-1820	130-1820P
2006-03	V8	4.8		294	V			130-7340	---
2002-98	V8	5.0		305	M			130-1820	---
1997-96	V8	5.0		305	M		(M)	130-1820	130-1820P
2005-03	V8	5.3		323	T			130-7340	---
2002-98	V8	5.7		350	R			130-1820	---
1997-96	V8	5.7		350	R		(R)	130-1820	130-1820P
2006-03	V8	6.0		364	U			130-7340	---
2007-06	V8	6.6		400	2			130-2030	---
EXPRESS 3500									
2006-05	V8	4.8		294	V			130-7340	---
2002-98	V8	5.7		350	R			130-1820	---
1997-96	V8	5.7		350	R		(R)	130-1820	130-1820P
2006-03	V8	6.0		364	U			130-7340	---
2007-06	V8	6.6		400	2			130-2030	---
G30									
1996	V8	5.7		350	K		(R)	130-1820	130-1820P

							WATER PUMP		
YEAR	TYPE	LITER	C.C.	CID	VIN	DES'G	INSTALLATION ADVICE	STANDARD	PERFORMANCE
CHEVROLET (Cont'd)									
HHR									
2009-08	L4	2.0	1998	122	X			130-7350	---
2009	L4	2.2	2189	134	B	LE8		130-7350	---
2008-07	L4	2.2	2198	134	D			130-7350	---
2006	L4	2.2	2189	134	D			130-7350	---
2009	L4	2.4		145	V	LE9		130-7350	---
2008-06	L4	2.4		145	P			130-7350	---
IMPALA									
2005-00	V6	3.4		207	E			130-1480	---
2009-06	V6	3.5	3490	213	K,N			130-9660	---
2005-04	V6	3.8		231	1			130-1780	---
2005-00	V6	3.8		231	K			130-1780	---
2009	V6	3.9	3880	237	M	LGD		130-9660	---
2008	V6	3.9	3880	237	3	LZG		130-9660	---
2007	V6	3.9	3880	237	R			130-9660	---
2006	V6	3.9	3880	237	1			130-9660	---
2009-06	V8	5.3	5328	325	C			130-2040	---
K1500									
1998	V6	4.3		262	W			130-1820	---
1997-96	V6	4.3		262	W		(W)	130-1820	130-1820P
1999-98	V8	5.0		305	M			130-1820	---
1997-96	V8	5.0		305	M		(M)	130-1820	130-1820P
1999-98	V8	5.7		350	R			130-1820	---
1997-96	V8	5.7		350	R		(R)	130-1820	130-1820P
K1500 SUBURBAN									
1999-98	V8	5.7		350	R			130-1820	---
1997-96	V8	5.7		350	R		(R)	130-1820	130-1820P
K2500									
1998	V8	5.0		305	M			130-1820	---
2000-98	V8	5.7		350	R			130-1820	---
1997-96	V8	5.7		350	R		(R)	130-1820	130-1820P
K2500 SUBURBAN									
1999-98	V8	5.7		350	R			130-1820	---
1997-96	V8	5.7		350	R		(R)	130-1820	130-1820P
K3500									
2000-98	V8	5.7		350	R			130-1820	---
1997-96	V8	5.7		350	R		(R)	130-1820	130-1820P
LUMINA									
2001-00	V6	3.1		189	J			130-1480	---
1999-98	V6	3.1		189	M			130-1480	---
1997-95	V6	3.1		189	M		(M, T)	130-1480	---
1994-90	V6	3.1		189	T		(M, T)	130-1480	---
1993	V6	3.1		189	W		FLEX; (W)	130-1480	---
1997-91	V6	3.4		207	X		(X)	130-1480	---
1999-98	V6	3.8		231	K			130-1780	---
LUMINA APV									
1995-90	V6	3.1		189	D		(D)	130-1480	---
1996	V6	3.4		207	E		(E)	130-1480	---
MALIBU									
2008-04	L4	2.2	2198	134	F	L61		130-7350	---
2009-08	L4	2.4		145	5,B			130-7350	---
2003-99	V6	3.1		189	J			130-1480	---
1999-97	V6	3.1		189	M			130-1480	---
2008-07	V6	3.5	3490	213	N			130-9660	---
2006-04	V6	3.5		213	8			130-1480	---
2009-08	V6	3.6		217	7			130-5130	---
2007-06	V6	3.9	3880	237	1			130-9660	---

WATER PUMP

YEAR	TYPE	LITER	C.C.	CID	VIN	DES'G	INSTALLATION ADVICE	STANDARD	PERFORMANCE
CHEVROLET (Cont'd)									
MONTE CARLO									
1999-95	V6	3.1		189	M			130-1480	---
2005-00	V6	3.4		207	E			130-1480	---
1997-95	V6	3.4		207	X		(X)	130-1480	---
2007-06	V6	3.5	3490	213	K,N			130-9660	---
2005-98	V6	3.8		231	K			130-1780	---
2005-04	V6	3.8		231	1			130-1780	---
2006	V6	3.9	3880	237	1			130-9660	---
2007-06	V8	5.3	5328	325	C			130-2040	---
P30									
1999-98	V6	4.3		262	W			130-1820	---
1997	V6	4.3		262	W		(W)	130-1820	130-1820P
1999-98	V8	5.7		350	R			130-1820	---
1997-96	V8	5.7		350	R		(R)	130-1820	130-1820P
S10									
2004-03	V6	4.3		262	X			130-1820	---
2002-98	V6	4.3		262	W			130-1820	---
1999-98	V6	4.3		262	X			130-1820	---
1997-96	V6	4.3		262	W,X		(W, X)	130-1820	130-1820P
SILVERADO 1500									
2007-02	V6	4.3		262	X			130-1820	---
2002-99	V6	4.3		262	W			130-1820	---
2006-99	V8	4.8		294	V			130-7340	---
2006	V8	5.3	5328	325	Z	L59		130-7340	---
2006	V8	5.3		325	B,T			130-7340	---
2005-99	V8	5.3		323	T			130-7340	---
2005-02	V8	5.3		323	Z			130-7340	---
2005	V8	5.3		323	B			130-7340	---
2006-03	V8	6.0		364	N			130-7340	---
SILVERADO 1500 HD									
2006-05	V8	6.0		364	U			130-7340	---
2003-01	V8	6.0		364	U			130-7340	---
SILVERADO 2500									
2000-99	V8	5.3		323	T			130-7340	---
2004-99	V8	6.0		364	U			130-7340	---
SILVERADO 2500 HD									
2006-01	V8	6.0		364	U			130-7340	---
2007-06	V8	6.6		400	D	LBZ		130-2030	---
2007	V8	6.6		400	6	LMM		130-2030	---
2006	V8	6.6		400	2			130-2030	---
2005-04	V8	6.6		400	2			130-5980	---
2004-01	V8	6.6		400	1			130-5980	---
2007-01	V8	8.1		496	G			130-7260	---
SILVERADO 3500									
2006-01	V8	6.0		364	U			130-7340	---
2007-06	V8	6.6		400	D	LBZ		130-2030	---
2006	V8	6.6		400	2			130-2030	---
2005	V8	6.6		400	2			130-5980	---
2004-01	V8	6.6		400	1			130-5980	---
2004	V8	6.6		403	2			130-5980	---
2007-01	V8	8.1		496	G			130-7260	---
SILVERADO 3500 HD									
2007	V8	6.6		400	6	LMM		130-2030	---
SSR									
2004	V8	5.3		325				130-7340	---
2003	V8	5.3		325	P			130-7340	---
2006-05	V8	6.0		364	H			130-7340	---

WATER PUMP

YEAR	TYPE	LITER	C.C.	CID	VIN	DES'G	INSTALLATION ADVICE	STANDARD	PERFORMANCE
CHEVROLET (Cont'd)									
SUBURBAN 1500									
2006	V8	5.3	5328	325	Z	L59		130-7340	---
2005-02	V8	5.3		323	Z			130-7340	---
2005-00	V8	5.3		323	T			130-7340	---
2006	V8	6.0		364	U			130-7340	---
SUBURBAN 2500									
2006-00	V8	6.0		364	U			130-7340	---
2006-01	V8	8.1		496	G			130-7260	---
TAHOE									
2006-00	V8	4.8		294	V			130-7340	---
2006	V8	5.3	5328	325	Z	L59		130-7340	---
2006	V8	5.3		325	T			130-7340	---
2005-02	V8	5.3		323	Z			130-7340	---
2005-00	V8	5.3		323	T			130-7340	---
2000-98	V8	5.7		350	R			130-1820	---
1997-96	V8	5.7		350	R	(R)		130-1820	130-1820P
TRAILBLAZER									
2009-02	L6	4.2		256	S			130-7700	---
2006	V8	5.3		325	M			130-7340	---
2005	V8	5.3		323	M			130-7340	---
2004-03	V8	5.3		325	P			130-7340	---
2006	V8	6.0		364	H			130-7340	---
TRAVERSE									
2009	V6	3.6		217	D	LLT		130-5130	---
UPLANDER									
2006-05	V6	3.5		213	L			130-1480	---
2008-07	V6	3.9	3880	237	W	LGD		130-9660	---
2008-06	V6	3.9	3880	237	1			130-9660	---
VENTURE									
2005-98	V6	3.4		207	E			130-1480	---
1997	V6	3.4		207	E	(E)		130-1480	---
CHRYSLER									
300									
2007	V6	2.7	2700	167	R	EER		120-4190	---
2009	V6	3.5	3497	215	V			120-7170	---
2008-05	V6	3.5	3497	215	G			120-7170	---
2007-05	V8	5.7		345	H			120-7150	---
2007-05	V8	6.1	6059	370	W			120-7150	---
300M									
2004-99	V6	3.5	3497	215	G			120-1350	---
2004-02	V6	3.5	3497	215	K			120-1350	---
ASPEN									
2009-07	V8	4.7		285	P			120-4350	---
2008-07	V8	4.7		285	N			120-4350	---
2007	V8	5.7		345	2			120-4370	---
CIRRUS									
2000	L4	2.0	1996	122	C			120-1300	---
2000	L4	2.4	2429	148	X			120-4220	---
1997	L4	2.4	2429	148	X	EDZ	(X) w/ Mechanical Tensioner	120-4220	---
1996	L4	2.4	2429	148	X	EDZ	w/ Mechanical Timing Belt Tensioner	120-4220	---
2000-99	V6	2.5	2497	152	H			148-1510	---
1998-95	V6	2.5	2497	152	H	EEB		148-1510	---

							WATER PUMP		
YEAR	TYPE	LITER	C.C.	CID	VIN	DES'G	INSTALLATION ADVICE	STANDARD	PERFORMANCE
CHRYSLER (Cont'd)									
CONCORDE									
2003	V6	2.7	2700	167	R			120-4190	---
2002-01	V6	2.7	2700	167	R	EER		120-4190	---
1998	V6	2.7	2700	167	R	EER		120-4190	---
2001-98	V6	3.2	3200	197	J	EGW		120-1350	---
2004-02	V6	3.5	3497	215	G,M			120-1350	---
CROSSFIRE									
2004	V6	3.2	3200	195	L			147-2250	---
LHS									
2001-99	V6	3.5	3497	215	G			120-1350	---
PACIFICA									
2006-05	V6	3.5	3497	215	4			120-7170	---
2008-07	V6	4.0	3952	241	X			120-7170	---
PROWLER									
2002-01	V6	3.5	3497	215	G			120-1350	---
PT CRUISER									
2009-07	L4	2.4	2429	148	8			120-4220	---
2009	L4	2.4	2429	148	9	EDZ		120-4220	---
2008-05	L4	2.4	2429	148	E			120-4220	---
2008-01	L4	2.4	2429	148	B			120-4220	---
2008	L4	2.4	2429	148	X	EDZ		120-4220	---
2007-05	L4	2.4	2429	148	S,X			120-4220	---
2007-03	L4	2.4	2429	148	G			120-4220	---
2005-04	L4	2.4	2429	148	8			120-4220	---
SEBRING									
1999	L4	2.0	1996	122	Y			120-1300	---
1998-96	L4	2.0	1996	122	Y	ECF		120-1300	---
1995	L4	2.0	1996	122	Y		(Y)	120-1300	---
2008	L4	2.4	2360	144	J	EDG		120-7180	---
2008	L4	2.4	2360	144	K			120-7180	---
2006-01	L4	2.4	2429	148	X			120-4220	---
2005-04	L4	2.4	2429	148	J			120-4220	---
2005-01	L4	2.4	2351		G			148-2330	---
1998	L4	2.4	2429	148	X	EDZ		120-4220	---
1997	L4	2.4	2429	148	X	EDZ	(X) Convertible	120-4220	---
2000-99	V6	2.5	2497	152	H,N		(OE # MD973025)	148-1510	---
2000	V6	2.5	2497	152	H		(OE # 4667 660)	120-1300	---
1998-96	V6	2.5	2497	152	H,N	EEB		148-1510	---
1995	V6	2.5	2497	152	N		(H, N)	148-1510	---
2007	V6	2.7	2700	167	R			120-4190	---
2004-03	V6	2.7	2700	167	T			120-4190	---
2004-02	V6	2.7	2700	167	R			120-4190	---
2001	V6	2.7	2700	167	U			120-4190	---
2005-01	V6	3.0	2972	181	H			148-1510	---
2009	V6	3.5	3497	215	V			120-7170	---
2008-07	V6	3.5	3497	215	M			120-7170	---
TOWN & COUNTRY									
2005-01	V6	3.3		201	R			120-4230	---
2003-01	V6	3.3		201	3			120-4230	---
2001	V6	3.3		201	G			120-4230	---
2005-01	V6	3.8		230	L			120-4230	---
2009-08	V6	4.0	3952	241	X			120-7170	---
VOYAGER									
2003-00	L4	2.4	2429	148	B			120-4220	---
2003-01	V6	3.3		201	3,R			120-4230	---

							WATER PUMP		
YEAR	TYPE	LITER	C.C.	CID	VIN	DES'G	INSTALLATION ADVICE	STANDARD	PERFORMANCE
DODGE									
AVENGER									
1999	L4	2.0	1996	122	Y			120-1300	---
1998-95	L4	2.0	1996	122	Y	ECF		120-1300	---
2008	L4	2.4	2360	144	J	EDG		120-7180	---
2008	L4	2.4	2360	144	K			120-7180	---
2000-99	V6	2.5	2497	152	N			148-1510	---
1998-95	V6	2.5	2497	152	N	EEB		148-1510	---
2009	V6	3.5	3497	215	V			120-7170	---
2008	V6	3.5	3497	215	M			120-7170	---
CARAVAN									
2007-97	L4	2.4	2429	148	B			120-4220	---
2005-01	V6	3.3		201	R			120-4230	---
2005	V6	3.3		201	E	EGV		120-4230	---
2004	V6	3.3		201	S			120-4230	---
2003-02	V6	3.3		201	3			120-4230	---
2001	V6	3.3		201	G	EGM		120-4230	---
CHALLENGER									
2009	V6	3.5	3497	215	V			120-7170	---
CHARGER									
2007	V6	2.7	2700	167	R	EER		120-4190	---
2009	V6	3.5	3497	215	V			120-7170	---
2008-06	V6	3.5	3497	215	G			120-7170	---
2007-06	V8	5.7		345	H			120-7150	---
2007-06	V8	6.1	6059	370	W			120-7150	---
D250									
1993-91	L6	5.9		359	C		DIESEL; (8, C)	120-3072	---
1991-89	L6	5.9		359	8		DIESEL; (8, C)	120-3072	---
D350									
1993-91	L6	5.9		359	C		DIESEL; (8, C)	120-3072	---
1991-89	L6	5.9		359	8		DIESEL; (8, C)	120-3072	---
DAKOTA									
2009-07	V6	3.7		226	K			120-4350	---
2005-04	V6	3.7		226	K			120-4350	---
2009	V8	4.7		285	P			120-4350	---
2007	V8	4.7		285	J,N,P			120-4350	---
2005-02	V8	4.7		285	N			120-4350	---
2005	V8	4.7		285	J			120-4350	---
2001-00	V8	4.7		287	N			120-4350	---
DURANGO									
2009-07	V6	3.7		226	K			120-4350	---
2005-04	V6	3.7		226	K			120-4350	---
2009	V8	4.7		285	P			120-4350	---
2008-07	V8	4.7		285	N			120-4350	---
2007	V8	4.7		285	P			120-4350	---
2005-02	V8	4.7		285	N			120-4350	---
2001-00	V8	4.7		287	N			120-4350	---
2007-06	V8	5.7		345	2			120-4370	---
2005-04	V8	5.7		345	D			120-4370	---
GRAND CARAVAN									
1997	L4	2.4	2429	148	B		(B)	120-4220	---
2005-01	V6	3.3		201	R			120-4230	---
2005	V6	3.3		201	E	EGV		120-4230	---
2003-01	V6	3.3		201	3			120-4230	---
2001	V6	3.3		201	G	EGM		120-4230	---
2005-01	V6	3.8		230	L			120-4230	---
2009-08	V6	4.0	3952	241	X			120-7170	---

WATER PUMP

YEAR	TYPE	LITER	C.C.	CID	VIN	DES'G	INSTALLATION ADVICE	STANDARD	PERFORMANCE
DODGE (Cont'd)									
INTREPID									
2003	V6	2.7	2700	167	R			120-4190	---
2002-01	V6	2.7	2700	167	R	EER		120-4190	---
2001-00	V6	2.7	2700	167	U			120-4190	---
1998	V6	2.7	2700	167	R	EER		120-4190	---
2001-98	V6	3.2	3200	197	J	EGW		120-1350	---
2004-02	V6	3.5	3497	215	M			120-1350	---
2004-01	V6	3.5	3497	215	G			120-1350	---
2002-00	V6	3.5	3497	215	V			120-1350	---
JOURNEY									
2009	V6	3.5	3497	215	V			120-7170	---
MAGNUM									
2007	V6	2.7	2700	167	T			120-4190	---
2008-05	V6	3.5	3497	215	V			120-7170	---
2007-05	V8	5.7		345	2			120-7150	---
2007-06	V8	6.1	6059	370	3			120-7150	---
NEON									
2005	L4	2.0	1996	122	C			120-1300	---
2001-99	L4	2.0	1996	122	C			120-1300	---
2001	L4	2.0	1996	122	F			120-1300	---
1999	L4	2.0	1996	122	Y			120-1300	---
1998	L4	2.0	1996	122	C	ECB		120-1300	---
1998	L4	2.0	1996	122	Y	ECC		120-1300	---
1997-95	L4	2.0	1996	122	C	ECB	(C, F, Y)	120-1300	---
1997-95	L4	2.0	1996	122	Y	ECC	(C, F, Y)	120-1300	---
1997	L4	2.0	1996	122	C		(C, F, Y)	120-1300	---
1996	L4	2.0	1996	122	Y		(C, F, Y)	120-1300	---
1995	L4	2.0	1997	122	Y		(C, F, Y)	120-1300	---
2005-04	L4	2.4	2429	148	S			120-4220	---
2003	L4	2.4	2429	148				120-4220	---
NITRO									
2009-07	V6	3.7		226	K			120-4350	---
2009	V6	4.0	3952	241	X			120-7170	---
2008-07	V6	4.0	3952	241	6			120-7170	---
RAM 1500									
2009-02	V6	3.7		226	K			120-4350	---
2009	V8	4.7		285	P			120-4350	---
2007-05	V8	4.7		285	N,P			120-4350	---
2004	V8	4.7		287	N,P			120-4350	---
2003-02	V8	4.7		287	N			120-4350	---
2008-06	V8	5.7		345	2	EZB		120-4370	---
2008-03	V8	5.7		345	D			120-4370	---
RAM 2500									
2009	L6	5.9		359	7		4WD	120-3072	---
2008-03	L6	5.9		359	C			120-3072	---
2004-03	L6	5.9		359	6			120-3072	---
1997	L6	5.9		359	D		DIESEL; (6, 7, C, D)	120-3072	---
1996-94	L6	5.9		359	C		DIESEL; (6, 7, C, D)	120-3072	---
2008-03	V8	5.7		345	D			120-4370	---
RAM 3500									
2009	L6	5.9		359	7		4WD	120-3072	---
2008-03	L6	5.9		359	C			120-3072	---
2004-03	L6	5.9		359	6			120-3072	---
1997	L6	5.9		359	D		DIESEL; (6, 7, C, D)	120-3072	---
1996-94	L6	5.9		359	C		DIESEL; (6, 7, C, D)	120-3072	---
2008-03	V8	5.7		345	D			120-4370	---
SPRINTER 2500									
2006-04	L5	2.7	2687	165	4			120-7220	---

WATER PUMPS

							WATER PUMP		
YEAR	TYPE	LITER	C.C.	CID	VIN	DES'G	INSTALLATION ADVICE	STANDARD	PERFORMANCE
DODGE (Cont'd)									
SPRINTER 3500									
2006-04	L5	2.7	2687	165	4			120-7220	---
STRATUS									
2000-99	L4	2.0	1996	122	C			120-1300	---
1998-95	L4	2.0	1996	122	C	ECB		120-1300	---
2006-99	L4	2.4	2429	148	X			120-4220	---
2005-04	L4	2.4	2429	148	J			120-4220	---
2005-01	L4	2.4	2351		G			148-2330	---
1998	L4	2.4	2429	148	X	EDZ		120-4220	---
1997	L4	2.4	2429	148	X	EDZ	(J, X) 4 Door; DOHC	120-4220	---
1996-95	L4	2.4	2429	148	X	EDZ	(X) w/ Mechanical Tensioner	120-4220	---
1995	L4	2.4	2429	148	X		(X) w/ Mechanical Tensioner	120-4220	---
2000-99	V6	2.5	2497	152	H			148-1510	---
1998-95	V6	2.5	2497	152	H	EEB		148-1510	---
2004-02	V6	2.7	2700	167	R			120-4190	---
2004	V6	2.7	2700	167	T			120-4190	---
2001	V6	2.7	2700	167	U			120-4190	---
2005-01	V6	3.0	2972	181	H			148-1510	---
W250									
1993-91	L6	5.9		359	C		DIESEL; (8, C)	120-3072	---
1991-89	L6	5.9		359	8		DIESEL; (8, C)	120-3072	---
W350									
1993-92	L6	5.9		359	C		DIESEL; (8, C)	120-3072	---
1991-89	L6	5.9		359	8		DIESEL; (8, C)	120-3072	---
EAGLE									
TALON									
1998	L4	2.0	1997	122	Y	ECF		120-1300	---
1998	L4	2.0	1997	122	Y			120-1300	---
1997-96	L4	2.0	1997	122	Y	ECF	(Y)	120-1300	---
1995	L4	2.0	1997	122	Y		(Y)	120-1300	---
FORD									
AEROSTAR									
1997-95	V6	3.0		182	U		(U)	125-1850	125-1850P
CONTOUR									
2000-98	L4	2.0	1989	121	3			125-2100	---
2000-98	L4	2.0	1989	121	Z			125-2100	---
2000-98	V6	2.5	2450	155	L			125-1910	---
2000	V6	2.5	2450	155	G			125-1910	---
1999	V6	2.5	2450	155	G			125-2100	---
1998	V6	2.5	2450	155	G			125-1910	---
1997-95	V6	2.5	2450	155	L		(L)	125-1910	---
CROWN VICTORIA									
2009-06	V8	4.6		281	V			125-5970	---
2008-03	V8	4.6		281	W			125-5970	---
2005-03	V8	4.6		281	9			125-5970	---
2002-99	V8	4.6		281	9,W		Police	125-5950	---
2002-01	V8	4.6		281	9,W		Exc.Police	125-5970	---
E SUPER DUTY									
2002-98	V10	6.8		415	S			125-5920	---
E-150									
2003-97	V6	4.2		256	2			125-2101	---
2008-03	V8	4.6		281	W			125-6050	---
2009-03	V8	5.4		330	L			125-6050	---

							WATER PUMP		
YEAR	TYPE	LITER	C.C.	CID	VIN	DES'G	INSTALLATION ADVICE	STANDARD	PERFORMANCE
FORD (Cont'd)									
E-250									
2003-97	V6	4.2		256	2			125-2101	---
2008-03	V8	4.6		281	W			125-6050	---
2009-03	V8	5.4		330	L			125-6050	---
2005-03	V8	5.4		330	M			125-6050	---
E-350									
2009-03	V8	5.4		330	L			125-6050	---
2005-03	V8	5.4		330	M			125-6050	---
2007-04	V8	6.0		363	P			125-2450	---
2006-97	V10	6.8		415	S			125-5920	---
E-450									
2009-06	V8	5.4		330	L			125-6050	---
2004-03	V8	5.4		330	L			125-6050	---
2007-04	V8	6.0		363	P			125-2450	---
2006-03	V10	6.8		415	S			125-5920	---
EDGE									
2007	V6	3.5	3496	213	C			125-9060	---
ESCAPE									
2004-01	L4	2.0	1989	122	B			125-2100	---
ESCAPE									
2008-06	L4	2.3		140	H			125-6000	---
2008-05	L4	2.3		140	Z			125-6000	---
2005	L4	2.3		140				125-6000	---
2009	L4	2.5	2488	152	3,7			125-6000	---
2003-01	V6	3.0		182	1		To 04/01/03	125-1910	---
ESCORT									
1996-91	L4	1.8		112	8		(8)	145-1350	---
2003-98	L4	2.0	1989	121	3			125-2100	---
EXCURSION									
2005-03	V8	5.4		330	L			125-6050	---
2005-04	V8	6.0		363	P			125-4130	---
2003	V8	6.0		363				125-4130	---
2002-00	V10	6.8		415	S			125-5920	---
EXPEDITION									
2004-03	V8	4.6		281	W			125-6050	---
1999	V8	4.6		281	W			125-6050	---
2009	V8	5.4		330	5			125-6050	---
2006-05	V8	5.4		330	5			125-6050	---
2004-03	V8	5.4		330	L			125-6050	---
EXPLORER									
2005-98	V6	4.0		245	E			125-2102	---
2005-01	V6	4.0		245	K			125-2102	---
1997	V6	4.0		245	E		GAS/FLEX; (E, K)	125-2102	---
2009-06	V8	4.6		281	8			125-5990	---
2005-02	V8	4.6		281	W			125-5990	---
EXPLORER SPORT TRAC									
2005-03	V6	4.0		245	K			125-2102	---
2005-01	V6	4.0		245	E			125-2102	---
2009-07	V8	4.6		281	8			125-5990	---
F-150									
2003-97	V6	4.2		256	2			125-2101	---
2009	V8	4.6		281	8			125-5990	---
2006-98	V8	4.6		281	W			125-6050	---
2003-02	V8	4.6		281	6			125-6050	---
1999-98	V8	4.6		281	6			125-6050	---
2006-04	V8	5.4		330	5			125-6050	---

							WATER PUMP		
YEAR	TYPE	LITER	C.C.	CID	VIN	DES'G	INSTALLATION ADVICE	STANDARD	PERFORMANCE
FORD (Cont'd)									
F-150 (Cont'd)									
2004-01	V8	5.4		330	3		From 11/10/00	125-6010	---
2003-98	V8	5.4		330	L,Z			125-6050	---
2003-00	V8	5.4		330	M			125-6050	---
1998	V8	5.4		330	M			125-6050	---
F-150 HERITAGE									
2004	V6	4.2		256	2			125-2101	---
2004	V8	4.6		281	W			125-6050	---
2004	V8	5.4		330	M,Z			125-6050	---
F-250 SUPER DUTY									
2009-05	V8	5.4		330	5			125-6050	---
2004-03	V8	5.4		330	L			125-6050	---
2007-05	V8	6.0		363	P			125-2450	---
2004	V8	6.0		363	P		From 09/22/03	125-2450	---
2004	V8	6.0		363	P		To 09/22/03	125-4130	---
2003	V8	6.0		363	P			125-4130	---
2004-99	V10	6.8		415	S			125-5920	---
F-350 SUPER DUTY									
2009-05	V8	5.4		330	5			125-6050	---
2004-03	V8	5.4		330	L			125-6050	---
2007-05	V8	6.0		363	P			125-2450	---
2004	V8	6.0		363	P		From 09/22/03	125-2450	---
2004	V8	6.0		363	P		To 09/22/03	125-4130	---
2003	V8	6.0		363	P			125-4130	---
2004-99	V10	6.8		415	S			125-5920	---
F-450 SUPER DUTY									
2007-05	V8	6.0		363	P			125-2450	---
2004	V8	6.0		363	P		From 09/22/03	125-2450	---
2004	V8	6.0		363	P		To 09/22/03	125-4130	---
2003	V8	6.0		363	P			125-4130	---
2004-99	V10	6.8		415	S			125-5920	---
F-550 SUPER DUTY									
2007-05	V8	6.0		363	P			125-2450	---
2004	V8	6.0		363	P		From 09/22/03	125-2450	---
2004	V8	6.0		363	P		To 09/22/03	125-4130	---
2003	V8	6.0		363	P			125-4130	---
2004-99	V10	6.8		415	S			125-5920	---
FIVE HUNDRED									
2007-06	V6	3.0		183	1			125-9050	---
2005	V6	3.0		183				125-9050	---
FOCUS									
2009-05	L4	2.0		121	N			125-6000	---
2004-02	L4	2.0	1989	122	5			125-2100	---
2004-00	L4	2.0	1989	121	3			125-2100	---
2004-00	L4	2.0	1989	122	P			125-5980	---
2007-03	L4	2.3		140	Z			125-6000	---
FREESTAR									
2007-04	V6	3.9		238	6			125-1970	---
2007-04	V6	4.2		256	2			125-1970	---
FREESTYLE									
2007-06	V6	3.0		183	1			125-9050	---
2005	V6	3.0		183				125-9050	---
FUSION									
2009-06	L4	2.3		140	Z			125-6000	---

							WATER PUMP		
YEAR	TYPE	LITER	C.C.	CID	VIN	DES'G	INSTALLATION ADVICE	STANDARD	PERFORMANCE
FORD (Cont'd)									
MUSTANG									
2004-98	V6	3.8		232	4			125-1940	---
1997-96	V6	3.8		232	4	(4)		125-1940	125-1940P
2005	V6	4.0		245				125-2102	---
2009-06	V8	4.6		281	H			125-5950	---
2005	V8	4.6		281				125-5950	---
2004-99	V8	4.6		281	X			125-5950	---
2004-03	V8	4.6		281	R			125-5950	---
2004-03	V8	4.6		281	Y			125-5970	---
2004-01	V8	4.6		281	X			125-5970	---
2001	V8	4.6		281	V			125-5950	---
1999	V8	4.6		281	V			125-5950	---
RANGER									
2009-01	L4	2.3		140	D			125-6000	---
2006	V6	3.0		182	U		To 08/08/05	125-1850	---
2005-01	V6	3.0		182	U			125-1850	---
2004-99	V6	3.0		182	V			125-1850	---
1998	V6	3.0		182	U			125-1850	---
1997-95	V6	3.0		182	U		GAS/FLEX: (U, V)	125-1850	125-1850P
2005-01	V6	4.0		245	E			125-2102	---
TAURUS									
2007-98	V6	3.0		182	U			125-1820	---
2006-98	V6	3.0		182	2			125-1820	---
2005-04	V6	3.0		182	S			125-1910	---
2003	V6	3.0		182	S		From 04/01/03	125-1910	---
2002-01	V6	3.0		182	S			125-1910	---
1998	V6	3.0		182	1			125-1820	---
1997-96	V6	3.0		182	1,2		FLEX: (1, 2)	125-1820	125-1820P
1997-96	V6	3.0		182	U		(U) OHV 12 Valve	125-1820	125-1820P
1997-96	V6	3.0		182	U		(U) SOHC	125-1820	125-1820P
1995	V6	3.0		182	1,U		GAS/FLEX: (1, U)	125-1820	125-1820P
THUNDERBIRD									
1997-96	V6	3.8		232	4	(4)		125-1940	125-1940P
2005-04	V8	3.9		242	A			125-6030	---
2002	V8	3.9		242	A			125-6030	---
WINDSTAR									
2000-98	V6	3.0		182	U			125-1820	---
1997-95	V6	3.0		182	U	(U)		125-1820	125-1820P
2003-96	V6	3.8		232	4			125-1970	---
GMC									
ACADIA									
2009	V6	3.6		217	D	LLT		130-5130	---
2008-07	V6	3.6		217	7			130-5130	---
C1500									
1998	V6	4.3		262	W			130-1820	---
1997-96	V6	4.3		262	W	(W)		130-1820	130-1820P
1999-98	V8	5.0		305	M			130-1820	---
1997-96	V8	5.0		305	M	(M)		130-1820	130-1820P
1999-98	V8	5.7		350	R			130-1820	---
1997-96	V8	5.7		350	R	(R)		130-1820	130-1820P
1992	V8	5.7		350	K	(K) 5.8 in. Hub Ht.		130-1820	130-1820P
C1500 SUBURBAN									
1999-98	V8	5.7		350	R			130-1820	---
1997-96	V8	5.7		350	R	(R)		130-1820	130-1820P

							WATER PUMP		
YEAR	TYPE	LITER	C.C.	CID	VIN	DES'G	INSTALLATION ADVICE	STANDARD	PERFORMANCE
GMC (Cont'd)									
C2500									
1998	V8	5.0		305	M			130-1820	---
1997-96	V8	5.0		305	M		(M)	130-1820	130-1820P
2000-98	V8	5.7		350	R			130-1820	---
1997-96	V8	5.7		350	R		(R)	130-1820	130-1820P
C2500 SUBURBAN									
1999-98	V8	5.7		350	R			130-1820	---
1997-96	V8	5.7		350	R		(R)	130-1820	130-1820P
C3500									
2000-98	V8	5.7		350	R			130-1820	---
1997-96	V8	5.7		350	R		(R)	130-1820	130-1820P
CANYON									
2006-04	L4	2.8	2770	169	8			130-7700	---
2009-07	L4	2.9	2921	178	9			130-7700	---
2006-04	L5	3.5	3460	211	6			130-7700	---
2009-07	L5	3.7	3654	223	E			130-7700	---
ENVOY									
2009-02	L6	4.2		256	S			130-7700	---
2006	V8	5.3		325	M			130-7340	---
2005	V8	5.3		323	M			130-7340	---
2004-03	V8	5.3		323	P			130-7340	---
JIMMY									
2001-98	V6	4.3		262	W			130-1820	---
1997-96	V6	4.3		262	W		(W)	130-1820	130-1820P
K1500									
1998	V6	4.3		262	W			130-1820	---
1997-96	V6	4.3		262	W		(W)	130-1820	130-1820P
1999-98	V8	5.0		305	M			130-1820	---
1997-96	V8	5.0		305	M		(M)	130-1820	130-1820P
1999-98	V8	5.7		350	R			130-1820	---
1997-96	V8	5.7		350	R		(R)	130-1820	130-1820P
K1500 SUBURBAN									
1999-98	V8	5.7		350	R			130-1820	---
1997-96	V8	5.7		350	R		(R)	130-1820	130-1820P
K2500									
1998	V8	5.0		305	M			130-1820	---
2000-98	V8	5.7		350	R			130-1820	---
1997-96	V8	5.7		350	R		(R)	130-1820	130-1820P
K2500 SUBURBAN									
1999-98	V8	5.7		350	R			130-1820	---
1997-96	V8	5.7		350	R		(R)	130-1820	130-1820P
K3500									
2000-98	V8	5.7		350	R			130-1820	---
1997-96	V8	5.7		350	R		(R)	130-1820	130-1820P
P3500									
1999-98	V6	4.3		262	W			130-1820	---
1997-96	V6	4.3		262	W		(W)	130-1820	130-1820P
1999-98	V8	5.7		350	R			130-1820	---
1997-96	V8	5.7		350	R		(R)	130-1820	130-1820P
SAFARI									
2005-02	V6	4.3		262	X			130-1820	---
2001-98	V6	4.3		262	W			130-1820	---
1997-96	V6	4.3		262	W		(W, X)	130-1820	130-1820P

WATER PUMP

YEAR	TYPE	LITER	C.C.	CID	VIN	DES'G	INSTALLATION ADVICE	STANDARD	PERFORMANCE
GMC (Cont'd)									
SAVANA 1500									
2006-03	V6	4.3		262	X			130-1820	---
2002-98	V6	4.3		262	W			130-1820	---
1997-96	V6	4.3		262	W		(W)	130-1820	130-1820P
2002-98	V8	5.0		305	M			130-1820	---
1997-96	V8	5.0		305	M		(M)	130-1820	130-1820P
2006	V8	5.3		325	T			130-7340	---
2005-03	V8	5.3		323	T			130-7340	---
2002-98	V8	5.7		350	R			130-1820	---
1997-96	V8	5.7		350	R		(R)	130-1820	130-1820P
SAVANA 2500									
2005-03	V6	4.3		262	X			130-1820	---
2002-98	V6	4.3		262	W			130-1820	---
2006-03	V8	4.8		294	V			130-7340	---
2002-98	V8	5.0		305	M			130-1820	---
1997-96	V8	5.0		305	M		(M)	130-1820	130-1820P
2005-03	V8	5.3		323	T			130-7340	---
2002-98	V8	5.7		350	R			130-1820	---
1997-96	V8	5.7		350	R		(R)	130-1820	130-1820P
2006-03	V8	6.0		364	U			130-7340	---
2007-06	V8	6.6		400	2			130-2030	---
SAVANA 3500									
2006-04	V8	4.8		294	V			130-7340	---
2002-98	V8	5.7		350	R			130-1820	---
1997-96	V8	5.7		350	R		(R)	130-1820	130-1820P
2006-03	V8	6.0		364	U			130-7340	---
2007-06	V8	6.6		400	2			130-2030	---
SIERRA 1500									
2007-02	V6	4.3		262	X			130-1820	---
2002-99	V6	4.3		262	W			130-1820	---
2006-99	V8	4.8		294	V			130-7340	---
2006	V8	5.3	5328	325	Z	L59		130-7340	---
2006	V8	5.3		325	B,T			130-7340	---
2005-99	V8	5.3		323	T			130-7340	---
2005-02	V8	5.3		323	Z			130-7340	---
2005	V8	5.3		323	B			130-7340	---
2006	V8	6.0		364	N			130-7340	---
SIERRA 1500 HD									
2006-05	V8	6.0		364	U			130-7340	---
2003-01	V8	6.0		364	U			130-7340	---
SIERRA 2500									
2000-99	V8	5.3		323	T			130-7340	---
2004-99	V8	6.0		364	U			130-7340	---
SIERRA 2500 HD									
2006-01	V8	6.0		364	U			130-7340	---
2007-06	V8	6.6		400	D	LBZ		130-2030	---
2007	V8	6.6		400	6	LMM		130-2030	---
2006	V8	6.6		400	2			130-2030	---
2005	V8	6.6		400	2			130-5980	---
2004-01	V8	6.6		400	1			130-5980	---
2004	V8	6.6		403	2			130-5980	---
2007-01	V8	8.1		496	G			130-7260	---
SIERRA 3500									
2006-01	V8	6.0		364	U			130-7340	---
2007-06	V8	6.6		400	D	LBZ		130-2030	---
2006	V8	6.6		400	2			130-2030	---
2005	V8	6.6		400	2			130-5980	---
2004-01	V8	6.6		400	1			130-5980	---
2004	V8	6.6		403	2			130-5980	---
2007-01	V8	8.1		496	G			130-7260	---

WATER PUMPS

							WATER PUMP		
YEAR	TYPE	LITER	C.C.	CID	VIN	DES'G	INSTALLATION ADVICE	STANDARD	PERFORMANCE
GMC (Cont'd)									
SIERRA 3500 HD									
2007	V8	6.6		400	6	LMM		130-2030	---
SIERRA C3									
2001	V8	6.0		364		U		130-7340	---
SIERRA DENALI									
2006-05	V8	6.0		364		N		130-7340	---
2004-02	V8	6.0		364		U		130-7340	---
SONOMA									
2004-03	V6	4.3		262		X		130-1820	---
2002-98	V6	4.3		262		W		130-1820	---
1999-98	V6	4.3		262		X		130-1820	---
1997-96	V6	4.3		262	W,X		(W, X)	130-1820	130-1820P
YUKON									
2006-00	V8	4.8		294		V		130-7340	---
2006-05	V8	5.3	5328	325		Z	L59	130-7340	---
2006	V8	5.3		325		T		130-7340	---
2005-00	V8	5.3		323		T		130-7340	---
2004-02	V8	5.3		323		Z		130-7340	---
2000-98	V8	5.7		350		R		130-1820	---
1997-96	V8	5.7		350		R	(R)	130-1820	130-1820P
2004-01	V8	6.0		364		U		130-7340	---
YUKON DENALI									
2006-05	V8	6.0		364		U		130-7340	---
YUKON DENALI XL									
2006-05	V8	6.0		364		U		130-7340	---
YUKON XL 1500									
2006	V8	5.3	5328	325		Z	L59	130-7340	---
2005-02	V8	5.3		323		Z		130-7340	---
2005-00	V8	5.3		323		T		130-7340	---
YUKON XL 2500									
2006-00	V8	6.0		364		U		130-7340	---
2006-01	V8	8.1		496		G		130-7260	---
HONDA									
ACCORD									
2007	L4	2.4	2354			K24A8	Exc. Japan Built Vehicle	135-1500	---
2006	L4	2.4	2354			K24A8		135-1500	---
2005-03	L4	2.4	2354			K24A4		135-1500	---
2007-06	V6	3.0	2997			J30A5		135-1530	---
2007-05	V6	3.0	2997			JNA1		135-1530	---
2005-03	V6	3.0	2977			J30A4		135-1530	---
2002-98	V6	3.0	2997			J30A1		135-2380	---
2009-08	V6	3.5	3471			J35Z2	Coupe	135-1530	---
2009-08	V6	3.5	3471			J35Z3	Coupe	135-1530	---
2008	V6	3.5	3471			J35Z3		135-1530	---
CIVIC									
2005	L4	1.7	1668			D17A1		135-2420	---
2005	L4	1.7	1668			D17A2		135-2420	---
2005	L4	1.7	1668			D17A6		135-2420	---
2005	L4	1.7	1668			D17A7		135-2420	---
2004-02	L4	1.7	1700			D17A1		135-2420	---
2004-02	L4	1.7	1700			D17A2		135-2420	---
2004-02	L4	1.7	1700			D17A6		135-2420	---
2004-02	L4	1.7	1700			D17A7		135-2420	---
2001	L4	1.7	1668			D17A1		135-2420	---
2001	L4	1.7	1668			D17A2		135-2420	---
2001	L4	1.7	1668			D17A6		135-2420	---

							WATER PUMP		
YEAR	TYPE	LITER	C.C.	CID	VIN	DES'G	INSTALLATION ADVICE	STANDARD	PERFORMANCE
HONDA (Cont'd)									
CIVIC (Cont'd)									
2001	L4	1.7	1668			D17A7		135-2420	---
2007-06	L4	1.8	1799			R18A1		135-6980	---
2007-06	L4	1.8	1799			R18A4		135-6980	---
2005-02	L4	2.0	1998			K20A3		135-1520	---
CR-V									
2009-07	L4	2.4	2354			K24Z1	Exc.Japan Built Vehicle	135-1500	---
2006-02	L4	2.4	2354			K24A1		135-1520	---
ELEMENT									
2009-07	L4	2.4	2354			K24A8		135-1500	---
2006-03	L4	2.4	2354			K24A4		135-1500	---
INSIGHT									
2006-00	L3	1.0	995	61		ECA1		135-2400	---
ODYSSEY									
2009-05	V6	3.5	3471			J35A6		135-1530	---
2009-05	V6	3.5	3471			J35A7		135-1530	---
2004-02	V6	3.5	3474			J35A4		135-2380	---
2001-99	V6	3.5	3474			J35A1		135-2380	---
PASSPORT									
2002-98	V6	3.2	3165			6VD1		140-1440	---
PILOT									
2009	V6	3.5	3471			J35Z4		135-1530	---
2008-06	V6	3.5	3471			J35A9		135-1530	---
2008-06	V6	3.5	3471			J35Z1		135-1530	---
2005	V6	3.5	3471			J35A6		135-1530	---
2004-03	V6	3.5	3475			J35A4		135-2380	---
RIDGELINE									
2009	V6	3.5	3471			J35Z5		135-1530	---
2008-06	V6	3.5	3471			J35A9		135-1530	---
S2000									
2003-00	L4	2.0	1997			F20C1		135-2410	---
2009-04	L4	2.2	2157			F22C1		135-2410	---
HUMMER									
H2									
2006-03	V8	6.0		364	U			130-7340	---
H3									
2006	L5	3.5	3460	211	6			130-7700	---
2009-07	L5	3.7	3654	223	E			130-7700	---
H3T									
2009	L5	3.7	3654	223	E			130-7700	---
HYUNDAI									
ACCENT									
1997-95	L4	1.5	1495		N		(N) DOHC	146-1230	---
2009-06	L4	1.6	1599		C			146-1230	---
2005-02	L4	1.6	1600		C			146-1230	---
2001	L4	1.6	1600		N			146-1230	---
ELANTRA									
1998	L4	1.8	1796		M	G4CN		146-2020	---
1997-96	L4	1.8	1795		M		(M)	146-2020	---
2006	L4	2.0	1975		D			146-2020	---
2005-04	L4	2.0	1975					146-2020	---

							WATER PUMP		
YEAR	TYPE	LITER	C.C.	CID	VIN	DES'G	INSTALLATION ADVICE	STANDARD	PERFORMANCE
HYUNDAI (Cont'd)									
ELANTRA (Cont'd)									
2003-00	L4	2.0	1975			G4CP		146-2020	---
1999	L4	2.0	1975		F	G4CP		146-2020	---
SANTA FE									
2004-01	L4	2.4	2351					146-1110	---
2006	V6	2.7	2656		D			146-7310	---
2005-01	V6	2.7	2656					146-7310	---
SONATA									
2005-04	L4	2.4	2351					146-1110	---
2003-99	L4	2.4	2351		S			146-1110	---
2001-99	V6	2.5	2493		V			146-7310	---
2005-02	V6	2.7	2656					146-7310	---
TIBURON									
1997	L4	1.8	1795		M	(M)		146-2020	---
2001-98	L4	2.0	1997		F	G4CP		146-2020	---
1997	L4	2.0	1975		F	(F)		146-2020	---
2008-06	V6	2.7	2656		F			146-7310	---
2005-03	V6	2.7	2656					146-7310	---
TUCSON									
2009-06	V6	2.7	2656		D			146-7310	---
2005	V6	2.7	2656					146-7310	---
XG300									
2001	V6	3.0	2972					146-1130	---
INFINITI									
FX35									
2006-03	V6	3.5	3498			VQ35DE		150-2320	---
FX45									
2008-06	V8	4.5	4494			VK45DE		150-9010	---
2005-03	V8	4.5	4500			VK45DE		150-9010	---
FX50									
2009	V8	5.0	5026			VK50VE		150-9010	---
G35									
2004-03	V6	3.5	3498			VQ35DE		150-2320	---
I30									
2001-00	V6	3.0	2988			VQ30DE		150-1510	---
1999-96	V6	3.0	2988		C	VQ30DE		150-1510	---
I35									
2004-02	V6	3.5	3498			VQ35DE		150-2320	---
M45									
2009-06	V8	4.5	4494			VK45DE		150-9010	---
Q45									
2006-05	V8	4.5	4494			VK45DE		150-9010	---
QX4									
2002-01	V6	3.5	3498			VQ35DE		150-1510	---
QX56									
2009-04	V8	5.6	5552			VK56DE		150-9010	---

							WATER PUMP		
YEAR	TYPE	LITER	C.C.	CID	VIN	DES'G	INSTALLATION ADVICE	STANDARD	PERFORMANCE
ISUZU									
AMIGO									
2000-99	V6	3.2	3165			6VD1		140-1440	---
1998	V6	3.2	3165		W			140-1440	---
ASCENDER									
2008-03	L6	4.2		256	S			130-7700	---
2006	V8	5.3		325	M			130-7340	---
2005	V8	5.3		323	M			130-7340	---
AXIOM									
2004	V6	3.5	3494		Y	6VE1		140-1440	---
2003	V6	3.5	3491		X	6VE1		140-1440	---
2002	V6	3.5	3475		X	6VE1		140-1440	---
HOMBRE									
2000	V6	4.3		262	W			130-1820	---
1999-98	V6	4.3	4294		X			130-1820	---
1997	V6	4.3	4294		X	(X)		130-1820	130-1820P
I-280									
2006	L4	2.8	2770	169	8			130-7700	---
I-290									
2008-07	L4	2.9	2921	178	9			130-7700	---
I-350									
2006	L5	3.5	3460	211	6			130-7700	---
I-370									
2008-07	L5	3.7	3654	223	E			130-7700	---
RODEO									
2004-01	V6	3.2	3165		W	6VD1		140-1440	---
2000-98	V6	3.2	3165			6VD1		140-1440	---
2004	V6	3.5	3494		Y	6VE1		140-1440	---
RODEO SPORT									
2003-01	V6	3.2	3165		W	6VD1		140-1440	---
TROOPER									
2002-01	V6	3.5	3475		X	6VE1		140-1440	---
2000-98	V6	3.5	3475			6VE1		140-1440	---
VEHICROSS									
2001	V6	3.5	3475		X	6VE1		140-1440	---
2000-99	V6	3.5	3475			6VE1		140-1440	---
JAGUAR									
S-TYPE									
2006-05	V6	3.0		183				125-6040	---
2004-03	V6	3.0		183	T			125-6040	---
2002-00	V8	4.0	3996	244	G		From Engine 0108130000	125-6030	---
2001-00	V8	4.0	3996	244	G		To Engine 0108122359	125-6030	---
2000	V8	4.0	3996	244	G			125-6030	---
2005	V8	4.2	4196					125-6030	---
2004	V8	4.2	4196				From Chassis/VIN N04834	125-6030	---
SUPER V8									
2005	V8	4.2	4196					125-6030	---
VANDEN PLAS									
2003	V8	4.0	3996	244	2,8			125-6030	---
2002-00	V8	4.0	3996	244	B,C			125-6030	---
1999-98	V8	4.0	3996	244				125-6030	---
2005-04	V8	4.2	4196					125-6030	---

							WATER PUMP		
YEAR	TYPE	LITER	C.C.	CID	VIN	DES'G	INSTALLATION ADVICE	STANDARD	PERFORMANCE
JAGUAR (Cont'd)									
XJ8									
2003	V8	4.0	3996	244	2			125-6030	---
2002-00	V8	4.0	3996	244	C			125-6030	---
1999	V8	4.0	3996	244	2			125-6030	---
1999	V8	4.0	3996	244				125-6030	---
1998	V8	4.0	3996	244	2	AJV8		125-6030	---
2005-04	V8	4.2	4196					125-6030	---
XJR									
2003	V8	4.0	3996	244	8			125-6030	---
2002-00	V8	4.0	3996	244	B			125-6030	---
1999-98	V8	4.0	3996	244				125-6030	---
2005-04	V8	4.2	4196					125-6030	---
XK8									
2002-00	V8	4.0	3996	244	C			125-6030	---
1999	V8	4.0	3996	244			Late	125-6030	---
1997	V8	4.0	3996	244	7	AJV8		125-6030	---
2005	V8	4.2	4196					125-6030	---
2004-03	V8	4.2	4196		C			125-6030	---
XKR									
2002-00	V8	4.0	3996	244	B			125-6030	---
2005	V8	4.2	4196					125-6030	---
2004-03	V8	4.2	4196		B			125-6030	---
JEEP									
COMMANDER									
2009-07	V6	3.7		226	K			120-4350	---
2009-07	V8	4.7		285	N			120-4350	---
2009	V8	4.7		285	P			120-4350	---
2007	V8	4.7		285	P			120-4350	---
2008-06	V8	5.7		345	2			120-7150	---
COMPASS									
2009	L4	2.0	1998	122	A	ECN		120-7180	---
2008-07	L4	2.0	1998	122	0	ECN		120-7180	---
2008	L4	2.4	2360	144	W			120-7180	---
GRAND CHEROKEE									
2004-99	L6	4.0		242	S			120-4340	---
2009-08	V6	3.7		226	K			120-4350	---
2005	V6	3.7		226	K			120-4350	---
2009	V8	4.7		285	P			120-4350	---
2008-07	V8	4.7		285	N			120-4350	---
2007	V8	4.7		285	P			120-4350	---
2005-02	V8	4.7		285	N			120-4350	---
2004-02	V8	4.7		285	J			120-4350	---
2001-99	V8	4.7		287	N			120-4350	---
2007-05	V8	5.7		345	2			120-7150	---
2007-06	V8	6.1	6059	370	3			120-7150	---
LIBERTY									
2005-02	L4	2.4		148	1			120-4220	---
2009-07	V6	3.7		226	K			120-4350	---
2005-02	V6	3.7		226	K			120-4350	---
PATRIOT									
2009	L4	2.0	1998	122	A	ECN		120-7180	---
2008-07	L4	2.0	1998	122	0	ECN		120-7180	---
2008	L4	2.4	2360	144	W			120-7180	---
WRANGLER									
2006-03	L4	2.4		148	1			120-4220	---
2004-00	L6	4.0		242	S			120-4340	---

							WATER PUMP		
YEAR	TYPE	LITER	C.C.	CID	VIN	DES'G	INSTALLATION ADVICE	STANDARD	PERFORMANCE
KIA									
OPTIMA									
2006-01	L4	2.4	2351		6			146-1110	---
2001	V6	2.5	2500					146-2040	---
2006-02	V6	2.7	2656		8			146-2040	---
RIO									
2002	L4	1.5	1493					145-1350	---
2009-08	L4	1.6	1599		3			146-1230	---
2007-06	L4	1.6	1599					146-1230	---
2005-03	L4	1.6	1594					145-1350	---
RIO5									
2009-08	L4	1.6	1599		3			146-1230	---
2007-06	L4	1.6	1599					146-1230	---
SEDONA									
2005	V6	3.5	3497					146-1130	---
2004-03	V6	3.5	3497		1			146-1130	---
2002	V6	3.5	3497					146-1130	---
SEPHIA									
2001-00	L4	1.8	1793		1	5BP		143-2001	---
1999	L4	1.8	1793			5BP		143-2001	---
1998	L4	1.8	1793		1			143-2001	---
1998	L4	1.8	1793		5			143-2001	---
SORENTO									
2006-03	V6	3.5	3497					146-1240	---
SPECTRA									
2004-00	L4	1.8	1793		1	5BP		143-2001	---
2006-04	L4	2.0	1975					146-2020	---
SPECTRA5									
2006	L4	2.0	1975					146-2020	---
SPORTAGE									
2006-05	L4	2.0	1975					146-2020	---
2009	V6	2.7	2656		3			146-7310	---
2008-07	V6	2.7	2656					146-7310	---
2006-05	V6	2.7	2656					146-2040	---
LAND ROVER									
DEFENDER 90									
1997	V8	4.0	3950		2	(2)		144-2001	---
DISCOVERY									
1995-94	V8	3.9	3950		2	(2) Fr. 11/94		144-2001	---
2002-01	V8	4.0	3950		2,5			144-2001	---
2000-99	V8	4.0	3950					144-2001	---
1998-96	V8	4.0	3950		2			144-2001	---
2004	V8	4.6	4554	278	9			144-2001	---
2003	V8	4.6	4554	278	6			144-2001	---
FREELANDER									
2005-02	V6	2.5	2500	153				144-2040	---
LR3									
2009-06	V8	4.4	4394		5			125-6030	---
2005	V8	4.4	4394					125-6030	---

							WATER PUMP		
YEAR	TYPE	LITER	C.C.	CID	VIN	DES'G	INSTALLATION ADVICE	STANDARD	PERFORMANCE
LAND ROVER (Cont'd)									
RANGE ROVER									
1995	V8	3.9	3950		2		(2) From Eng. # 36D25155B; Eng. Code 36D	144-2001	---
2000-99	V8	4.0	3950					144-2001	---
1998	V8	4.0	3950		2			144-2001	---
2009-06	V8	4.2	4196		3			125-6030	---
2009-06	V8	4.4	4394		5			125-6030	---
2002-01	V8	4.6	4554	278	4			144-2001	---
2000-99	V8	4.6	4554	278				144-2001	---
1998	V8	4.6	4554	278	4			144-2001	---
RANGE ROVER SPORT									
2009-06	V8	4.2	4196		3			125-6030	---
2009-06	V8	4.4	4394		5			125-6030	---
LEXUS									
ES300									
2003-99	V6	3.0	2995			1MZFE		170-1920	---
1998-96	V6	3.0	2959		F	1MZFE		170-1920	---
1995-94	V6	3.0	2995		G	1MZFE	(G)	170-1920	---
ES330									
2006-04	V6	3.3	3300	202		3MZFE		170-1920	---
ES350									
2009-07	V6	3.5	3456			2GRFE		170-7370	---
GS300									
2005-99	L6	3.0	2997			2JZGE		170-2380	---
1998	L6	3.0	2997		D	2JZGE		170-2380	---
GS400									
2000-99	V8	4.0	3969			1UZFE		170-1840	---
1998	V8	4.0	3969		H	1UZFE		170-1840	---
GS430									
2006-01	V8	4.3	4293			3UZFE		170-1840	---
GX470									
2006-03	V8	4.7	4663	285		2UZFE		170-1840	---
IS300									
2005-01	L6	3.0	2997			2JZGE		170-2380	---
LS400									
2000-99	V8	4.0	3969			1UZFE		170-1840	---
1998-96	V8	4.0	3969		H	1UZFE		170-1840	---
1995-90	V8	4.0	3967		U	1UZFE	(U)	170-1840	---
LS430									
2006-01	V8	4.3	4293			3UZFE		170-1840	---
LX470									
2006-98	V8	4.7	4663	285		2UZFE		170-1840	---
RX300									
2003-00	V6	3.0	2995			1MZFE		170-1920	---
1999	V6	3.0	2995		F	1MZFE		170-1920	---
RX330									
2006-04	V6	3.3	3300	202		3MZFE		170-1920	---
RX350									
2009-07	V6	3.5	3456			2GRFE		170-7370	---

							WATER PUMP		
YEAR	TYPE	LITER	C.C.	CID	VIN	DES'G	INSTALLATION ADVICE	STANDARD	PERFORMANCE
LEXUS (Cont'd)									
RX400H									
2008-06	V6	3.3	3300	202		3MZFE		170-1920	---
SC400									
2000-99	V8	4.0	3969			1UZFE		170-1840	---
1998-96	V8	4.0	3969		H	1UZFE		170-1840	---
1995-92	V8	4.0	3967		U	1UZFE	(U)	170-1840	---
SC430									
2006-02	V8	4.3	4293			3UZFE		170-1840	---
LINCOLN									
AVIATOR									
2005-03	V8	4.6		281	H			125-6050	---
LS									
2005-03	V6	3.0		182	S			125-6040	---
2002-00	V8	3.9		242	A			125-6030	---
MARK LT									
2006	V8	5.4		330	5			125-6050	---
MKX									
2007	V6	3.5	3496	213	C			125-9060	---
MKZ									
2007	V6	3.5	3496	213	T			125-9060	---
NAVIGATOR									
2009	V8	5.4		330	5			125-6050	---
2006-05	V8	5.4		330	5			125-6050	---
2004-01	V8	5.4		330	R			125-6050	---
2001-99	V8	5.4		330	A			125-6050	---
1999-98	V8	5.4		330	L			125-6050	---
TOWN CAR									
2009-06	V8	4.6		281	V			125-5970	---
2008-01	V8	4.6		281	W			125-5970	---
MAZDA									
3									
2006-04	L4	2.0	2000					125-6000	---
2006-04	L4	2.3	2260					125-6000	---
5									
2006	L4	2.3	2260					125-6000	---
6									
2006	L4	2.3	2260			MZR	To 02/01/06	125-6000	---
2005-03	L4	2.3	2260					125-6000	---
2009	L4	2.5	2488	152	A			125-6000	---
323									
1989-88	L4	1.6	1597				DOHC; Eng. Code B6E	145-1350	---
B2300									
2006-04	L4	2.3	2300		D			125-6000	---
B3000									
1999	V6	3.0		182	V			125-1850	---
1998	V6	3.0	2954		U			125-1850	---
1996-95	V6	3.0	2983		U		(U)	125-1850	125-1850P

							WATER PUMP		
YEAR	TYPE	LITER	C.C.	CID	VIN	DES'G	INSTALLATION ADVICE	STANDARD	PERFORMANCE
MAZDA (Cont'd)									
B4000									
2005-01	V6	4.0	4016			E		125-2102	---
MIATA									
1993-90	L4	1.6	1597				Eng. Code B6ZE	145-1350	---
2005-99	L4	1.8	1839					145-1390	---
1997-94	L4	1.8	1839				Eng. Code BPD	145-1390	---
MPV									
2001-00	V6	2.5	2497					125-1910	---
2006-02	V6	3.0		183				125-1910	---
MX-3									
1995-94	L4	1.6	1597				Eng. Code B6ZE	145-1390	---
MX-5 MIATA									
2006	L4	2.0	2000					125-6000	---
PROTEGE									
1995	L4	1.5	1489					145-1390	---
1998-96	L4	1.8	1839					145-1390	---
1994-90	L4	1.8	1839				DOHC; Eng. Code BPD	145-1350	---
RX-8									
2008-04	R2	1.3	1308					125-2430	---
TRIBUTE									
2004-01	L4	2.0	1991					125-2100	---
2006-05	L4	2.3		140	Z			125-6000	---
2008	V6	3.0		183	1			125-1910	---
2006	V6	3.0		183	1			125-1910	---
2005	V6	3.0		182	1			125-1910	---
2004	V6	3.0		183	1			125-1910	---
2003-01	V6	3.0	2954					125-1910	---
MERCEDES-BENZ									
C230									
2005-03	L4	1.8	1796					147-9060	---
2002	L4	2.3	2295			111.981		147-2270	---
C240									
2005-03	V6	2.6	2597			112.916		147-2250	---
2005-02	V6	2.6	2597			112.912		147-2250	---
2001	V6	2.6	2597					147-2250	---
C280									
2000-99	V6	2.8	2799			112.920		147-2250	---
1998	V6	2.8	2799					147-2250	---
C320									
2005	V6	3.2	3199					147-2250	---
2004-02	V6	3.2	3199			112.946		147-2250	---
2001	V6	3.2	3199					147-2250	---
C43 AMG									
2000-99	V8	4.3	4266			113.944		147-2250	---
1998	V8	4.3	4266					147-2250	---
C55 AMG									
2006	V8	5.5	5439	335		113.988		147-2220	---
2005	V8	5.5	5439	335				147-2220	---

WATER PUMP

YEAR	TYPE	LITER	C.C.	CID	VIN	DES'G	INSTALLATION ADVICE	STANDARD	PERFORMANCE
MERCEDES-BENZ (Cont'd)									
CL500									
2006	V8	5.0	4966			113.960		147-2250	---
2005	V8	5.0	4973					147-2250	---
2004-00	V8	5.0	4973			113.960		147-2250	---
CL55 AMG									
2006	V8	5.5	5439	335		113.991		147-2220	---
2005-01	V8	5.5	5439	335				147-2220	---
CLK320									
2005-04	V6	3.2	3199					147-2250	---
2003	V6	3.2	3199			112.940		147-2250	---
2003	V6	3.2	3199			112.955		147-2250	---
2002-98	V6	3.2	3199			112.940	From Engine 30 033141	147-2250	---
2002-98	V6	3.2	3199			112.940	To Engine 30 033140	147-2220	---
CLK430									
2003-99	V8	4.3	4266			113.943		147-2250	---
CLK500									
2006	V8	5.0	4966			113.968		147-2250	---
2005-03	V8	5.0	4973					147-2250	---
CLK55 AMG									
2006	V8	5.5	5439	335		113.987		147-2220	---
2005-01	V8	5.5	5439	335				147-2220	---
CLS500									
2006	V8	5.0	4966					147-2250	---
CLS55 AMG									
2006	V8	5.5	5439	335				147-2220	---
E320									
2006-05	L6	3.2	3222			648.961		147-9070	---
2005-04	V6	3.2	3199			112.954		147-2250	---
2005-03	V6	3.2	3199			112.949	From Chassis/VIN 033141	147-2250	---
2005-03	V6	3.2	3199			112.949	To Chassis/VIN 033140	147-2220	---
2003	V6	3.2	3199			112.941	From Chassis/VIN 033141	147-2250	---
2003	V6	3.2	3199			112.941	To Chassis/VIN 033140	147-2220	---
2002-99	V6	3.2	3199			112.941	From Chassis/VIN 30 033141	147-2250	---
2002-99	V6	3.2	3199			112.941	To Chassis/VIN 30 033140	147-2220	---
1998	V6	3.2	3199				From Chassis/VIN 30 033141	147-2250	---
1998	V6	3.2	3199				To Chassis/VIN 30 033140	147-2220	---
E430									
2002-98	V8	4.3	4266			113.940		147-2250	---
E500									
2006-04	V8	5.0	4966			113.969		147-2250	---
2006	V8	5.0	4966			113.967	(OE # 112 200 14 01)	147-2220	---
2006	V8	5.0	4966			113.967	(OE # 112 200 15 01)	147-2250	---
2005-03	V8	5.0	4973				(OE # 112 200 14 01)	147-2220	---
2005-03	V8	5.0	4973				(OE # 112 200 15 01)	147-2250	---
E55 AMG									
2006	V8	5.5	5439	335		113.990		147-2220	---
2005-04	V8	5.5	5439	335				147-2220	---
2003	V8	5.5	5439	335		113.990		147-2220	---
2002-99	V8	5.5	5439	335				147-2220	---

							WATER PUMP		
YEAR	TYPE	LITER	C.C.	CID	VIN	DES'G	INSTALLATION ADVICE	STANDARD	PERFORMANCE
MERCEDES-BENZ (Cont'd)									
G500									
2008-06	V8	5.0	4966			113.962	(w. Oil Cooler Fitting)	147-2220	---
2008-06	V8	5.0	4966			113.962	(Exc. Oil Cooler Fitting)	147-2250	---
2005	V8	5.0	4973				(w. Oil Cooler Fitting)	147-2220	---
2005	V8	5.0	4973				(Exc. Oil Cooler Fitting)	147-2250	---
2004-02	V8	5.0	4966				(w. Oil Cooler Fitting)	147-2220	---
2004-02	V8	5.0	4966				(Exc. Oil Cooler Fitting)	147-2250	---
G55 AMG									
2009-06	V8	5.5	5439	335		113.993		147-2220	---
2005-03	V8	5.5	5439	335				147-2220	---
ML320									
2003-99	V6	3.2	3199			112.942		147-2250	---
1998	V6	3.2	3199					147-2250	---
ML350									
2005-03	V6	3.7	3699					147-2250	---
ML430									
2001-99	V8	4.3	4266			113.942	(OE # 112 200 14 01)	147-2220	---
2001-99	V8	4.3	4266			113.942	(OE # 112 200 15 01)	147-2250	---
ML500									
2007	V8	5.0	4973			113.964		147-2220	---
2006	V8	5.0	4966					147-2220	---
2005-02	V8	5.0	4973					147-2220	---
ML55 AMG									
2003-00	V8	5.5	5439	335				147-2220	---
R500									
2007	V8	5.0	4973			113.971		147-2250	---
2006	V8	5.0	4966					147-2250	---
S350									
2006	V6	3.7	3724					147-2250	---
S430									
2006-04	V8	4.3	4266					147-2250	---
2006-03	V8	4.3	4266			113.948		147-2250	---
2003	V8	4.3	4266			113.941		147-2250	---
2002-00	V8	4.3	4266					147-2250	---
S500									
2006-03	V8	5.0	4966			113.966		147-2250	---
2006-00	V8	5.0	4966			113.960		147-2250	---
S55 AMG									
2006-03	V8	5.5	5439	335				147-2220	---
2002-01	V8	5.5	5439	335		113.986		147-2220	---
SL500									
2006	V8	5.0	4966			113.963		147-2250	---
2005-03	V8	5.0	4973					147-2250	---
2002-00	V8	5.0	4973			113.961		147-2250	---
SL55 AMG									
2008-07	V8	5.5	5439	335		113.995		147-2220	---
2006	V8	5.5	5439	335		113.992		147-2220	---
2005-03	V8	5.5	5439	335				147-2220	---
SLK230									
2004-01	L4	2.3	2295			111.983		147-2270	---
2000-99	L4	2.3	2295			111.973		147-2270	---
1998	L4	2.3	2295					147-2270	---

							WATER PUMP		
YEAR	TYPE	LITER	C.C.	CID	VIN	DES'G	INSTALLATION ADVICE	STANDARD	PERFORMANCE
MERCEDES-BENZ (Cont'd)									
SLK320									
2004	V6	3.2	3199					147-2250	---
2003-01	V6	3.2	3199				From Chassis/VIN 30 033141	147-2250	---
2003-01	V6	3.2	3199				To Chassis/VIN 30 033140	147-2220	---
MERCURY									
CAPRI									
1994-91	L4	1.6	1598	98	6,Z		(6, Z)	145-1350	---
COUGAR									
2002-99	L4	2.0	1989	121	3			125-2100	---
2002-99	V6	2.5	2450	155	L			125-1910	---
2001	V6	2.5	2450	155	G			125-1910	---
1997-96	V6	3.8		232	4		(4)	125-1940	125-1940P
GRAND MARQUIS									
2009-06	V8	4.6		281	V			125-5970	---
2008-01	V8	4.6		281	W			125-5970	---
MARAUDER									
2004	V8	4.6		281	V			125-5970	---
2003	V8	4.6		281				125-5970	---
MARINER									
2008-06	L4	2.3		140	H			125-6000	---
2008-05	L4	2.3		140	Z			125-6000	---
2009	L4	2.5	2488	152	3,7			125-6000	---
MILAN									
2009-06	L4	2.3		140	Z			125-6000	---
MONTEGO									
2007-06	V6	3.0		183	1			125-9050	---
2005	V6	3.0		183				125-9050	---
MONTEREY									
2007-04	V6	4.2		256	2			125-1970	---
MOUNTAINEER									
2005-04	V6	4.0		245	E			125-2102	---
2005-02	V6	4.0		245	K			125-2102	---
2002-98	V6	4.0		245	E			125-2102	---
2009-06	V8	4.6		281	8			125-5990	---
2005-02	V8	4.6		281	W			125-5990	---
MYSTIQUE									
2000-98	L4	2.0	1989	121	3			125-2100	---
2000-98	V6	2.5	2450	155	L			125-1910	---
1997-95	V6	2.5	2450	155	L		(L)	125-1910	---
SABLE									
2005-98	V6	3.0		182	U			125-1820	---
2005-04	V6	3.0		182	S			125-1910	---
2005-03	V6	3.0		182	2			125-1820	---
2003	V6	3.0		182	S		From 04/01/03	125-1910	---
2002-01	V6	3.0		182	S			125-1910	---
2001	V6	3.0		182	2			125-1820	---
1997-96	V6	3.0		182	U		(U) OHV, 12 Valve	125-1820	125-1820P
1995	V6	3.0		182	U		(U)	125-1820	125-1820P
TRACER									
1996-91	L4	1.8		112	8		(8)	145-1350	---

							WATER PUMP		
YEAR	TYPE	LITER	C.C.	CID	VIN	DES'G	INSTALLATION ADVICE	STANDARD	PERFORMANCE
MINI									
COOPER									
2008-02	L4	1.6	1600			W10B16A		148-1780	---
MITSUBISHI									
DIAMANTE									
2004-01	V6	3.5	3497	215	P	6G74		148-1510	---
2000-99	V6	3.5	3497	215		6G74		148-1510	---
1998-97	V6	3.5	3497	215	P	6G74		148-1510	---
ECLIPSE									
1999-98	L4	2.0	1997	122	Y	420A		120-1300	---
1997-96	L4	2.0	1997	122	Y	420A	(Y) Eng. Code A588	120-1300	---
1995	L4	2.0	1997	122	Y		(Y) Eng. Code A588	120-1300	---
2009-07	L4	2.4	2378		F	4G69		148-2330	---
2006	L4	2.4	2378		F	4G69		148-1780	---
2005-00	L4	2.4	2351		G	4G64		148-2330	---
2005-01	V6	3.0	2972	181	H	6G72		148-1510	---
2003	V6	3.0	2972	181				148-1510	---
2000	V6	3.0	2972	181	L			148-1510	---
2009-06	V6	3.8	3828	230	T			148-1510	---
ENDEAVOR									
2008-05	V6	3.8	3828	230	S	6G75		148-1510	---
2004	V6	3.8	3797	230				148-1510	---
GALANT									
2009-05	L4	2.4	2378		F	4G69	(OE # 1300A066)	148-2330	---
2006-05	L4	2.4	2378		F	4G69	(OE# MD979395)	148-1780	---
2004	L4	2.4	2351				(OE# MD979395)	148-1780	---
2004	L4	2.4	2351				(OE # 1300A066)	148-2330	---
2003-00	L4	2.4	2351		G	4G64		148-2330	---
1999	L4	2.4	2351			4G64		148-2330	---
2003	V6	3.0	2972	181	H			148-1510	---
2002	V6	3.0	2972	181	L			148-1510	---
2001	V6	3.0	2972	181	H			148-1510	---
2000	V6	3.0	2972	181	L			148-1510	---
1999	V6	3.0	2972	181				148-1510	---
2009-07	V6	3.8	3828	230	T	6G75		148-1510	---
2009	V6	3.8	3828	230	S	6G75		148-1510	---
2007-05	V6	3.8	3828	230	S	6G75		148-1510	---
2004	V6	3.8	3800					148-1510	---
LANCER									
2007-05	L4	2.0	1999		E	4G94		148-2280	---
2006	L4	2.0	1997	122	C	4G63	To 07/05	148-1780	---
2005	L4	2.0	1997	122	D	4G63		148-1780	---
2004-03	L4	2.0	2000					148-1780	---
2004-02	L4	2.0	2000					148-2280	---
2006-05	L4	2.4	2378		F	4G69	(OE# MD979395)	148-1780	---
2006-05	L4	2.4	2378		F	4G69	(OE # 1300A066)	148-2330	---
2004	L4	2.4	2400				(OE# MD979395)	148-1780	---
2004	L4	2.4	2400				(OE # 1300A066)	148-2330	---
MIRAGE									
2002-00	L4	1.8	1834	112	C	4G93		148-2280	---
1999	L4	1.8	1834	112		4G93		148-2280	---
1998-97	L4	1.8	1834	112	C	4G93		148-2280	---
MONTERO									
1996-95	V6	3.0	2972	181	H		(H) Eng. Code 6G72	148-1510	---
2002-01	V6	3.5	3497	215	R	6G74		148-1790	---
2000	V6	3.5	3497	215	R	6G74		148-1510	---
1999	V6	3.5	3497	215		6G74		148-1510	---
1998-97	V6	3.5	3497	215	R	6G74		148-1510	---
2006	V6	3.8	3828	230	S	6G75		148-1790	---
2005-03	V6	3.8	3797	230				148-1790	---

WATER PUMP

YEAR	TYPE	LITER	C.C.	CID	VIN	DES'G	INSTALLATION ADVICE	STANDARD	PERFORMANCE
mitsubishi (Cont'd)									
MONTERO SPORT									
2003-00	V6	3.0	2972	181	H	6G72		148-1510	---
1999	V6	3.0	2972	181		6G72		148-1510	---
1998-97	V6	3.0	2972	181	P	6G72		148-1510	---
2004-00	V6	3.5	3497	215	R	6G74		148-1510	---
1999	V6	3.5	3497	215		6G74		148-1510	---
OUTLANDER									
2006-05	L4	2.4	2378		F	4G69		148-1780	---
2004	L4	2.4	2351					148-1780	---
RAIDER									
2009-06	V6	3.7		226	K			120-4350	---
2007-06	V8	4.7		285	N			120-4350	---
NISSAN									
240SX									
1998	L4	2.4	2389		A	KA24DE		150-1400	---
1997-95	L4	2.4	2389		A	KA24DE	(A, H, M)	150-1400	---
1994-91	L4	2.4	2389		M	KA24DE	(A, H, M)	150-1400	---
1990-89	L4	2.4	2389		H	KA24E	(A, H, M)	150-1400	---
350Z									
2006-03	V6	3.5	3498			VQ35DE		150-2320	---
ALTIMA									
2008-02	L4	2.5	2500			QR25DE		150-2340	---
2005	V6	3.5	3498			VQ35DE	To 10/04	150-2320	---
2004-02	V6	3.5	3498			VQ35DE		150-2320	---
ARMADA									
2009-05	V8	5.6	5552			VK56DE		150-9010	---
D21									
1994-90	L4	2.4	2389		S	KA24E	(S)	150-1400	---
FRONTIER									
2004-98	L4	2.4	2389			KA24DE		150-1400	---
2006	V6	4.0	3954			VQ40DE	To 09/05	150-2320	---
2005	V6	4.0	3954			VQ40DE		150-2320	---
MAXIMA									
2001-99	V6	3.0	2988			VQ30DE		150-1510	---
1998-95	V6	3.0	2988		C	VQ30DE		150-1510	---
2006-04	V6	3.5	3498			VQ35DE		150-2320	---
2003	V6	3.5	3498			VQ35DE	From 01/03	150-2320	---
MURANO									
2006-03	V6	3.5	3498			VQ35DE		150-2320	---
PATHFINDER									
2004	V6	3.5	3498			VQ35DE		150-1510	---
2002-01	V6	3.5	3498			VQ35DE		150-1510	---
2006	V6	4.0	3954			VQ40DE	To 09/05	150-2320	---
2005	V6	4.0	3954			VQ40DE		150-2320	---
2009-08	V8	5.6	5552			VK56DE		150-9010	---
2004	V8	5.6	5552			VK56DE		150-9010	---
PICKUP									
1997-95	L4	2.4	2389		S	KA24E	(S)	150-1400	---
QUEST									
2005	V6	3.5	3498			VQ35DE	To 07/05	150-2320	---
2004	V6	3.5	3498			VQ35DE		150-2320	---

											WATER PUMP	
YEAR	TYPE	LITER	C.C.	CID	VIN	DES'G	INSTALLATION ADVICE				STANDARD	PERFORMANCE
NISSAN (Cont'd)												
SENTRA												
2006-02	L4	2.5	2500			QR25DE					150-2340	---
TITAN												
2009-04	V8	5.6	5552			VK56DE					150-9010	---
XTERRA												
2004-00	L4	2.4	2389			KA24DE					150-1400	---
2006	V6	4.0	3954			VQ40DE	To 09/05				150-2320	---
2005	V6	4.0	3954			VQ40DE					150-2320	---
OLDSMOBILE												
88												
1999-96	V6	3.8		231	K						130-1780	---
98												
1996	V6	3.8		231	K		(K)				130-1780	---
ACHIEVA												
1998-94	V6	3.1		189	M						130-1480	---
1996	V6	3.1		189	M	L82	(M)				130-1480	---
ALERO												
2004-02	L4	2.2	2198	134	F	L61					130-7350	---
2004-99	V6	3.4		207	E						130-1480	---
AURORA												
2003-01	V8	4.0		244	C						130-1840	---
1999-95	V8	4.0		244	C						130-1840	---
BRAVADA												
2004-02	L6	4.2		256	S						130-7700	---
2001-98	V6	4.3		262	W						130-1820	---
1997-96	V6	4.3		262	W		(W)				130-1820	130-1820P
CUTLASS												
1999-98	V6	3.1		189	M						130-1480	---
1999	V6	3.1		189	J						130-1480	---
1997	V6	3.1		189	M		(M)				130-1480	---
CUTLASS CIERA												
1989-87	V6	2.8		173	W		(W)				130-1480	---
1996-94	V6	3.1		189	M		(M)				130-1480	---
CUTLASS CRUISER												
1989-87	V6	2.8		173	W		(W)				130-1480	---
CUTLASS SUPREME												
1989-88	V6	2.8		173	W		(W)				130-1480	---
1997-94	V6	3.1		189	M		(M)				130-1480	---
1993-89	V6	3.1		189	T		(T)				130-1480	---
1993	V6	3.1		189	M		(T)				130-1480	---
1996-91	V6	3.4		207	X		(X)				130-1480	---
FIRENZA												
1987	V6	2.8		173	W		(W)				130-1480	---
INTRIGUE												
1999-98	V6	3.8		231	K						130-1780	---
LSS												
1999-96	V6	3.8		231	1,K						130-1780	---

							WATER PUMP		
YEAR	TYPE	LITER	C.C.	CID	VIN	DES'G	INSTALLATION ADVICE	STANDARD	PERFORMANCE
OLDSMOBILE (Cont'd)									
REGENCY									
1998-97	V6	3.8		231	K			130-1780	---
SILHOUETTE									
1994-90	V6	3.1		189	D		(D)	130-1480	---
2004-96	V6	3.4		207	E			130-1480	---
PLYMOUTH									
BREEZE									
2000-99	L4	2.0	1996	122	C			120-1300	---
1998-96	L4	2.0	1996	122	C	ECB		120-1300	---
2000-99	L4	2.4	2429	148	X			120-4220	---
1998	L4	2.4	2429	148	X	EDZ		120-4220	---
GRAND VOYAGER									
1997	L4	2.4	2429	148	B		(B)	120-4220	---
NEON									
2001-99	L4	2.0	1996	122	C			120-1300	---
1999	L4	2.0	1996	122	Y			120-1300	---
1998	L4	2.0	1996	122	C	ECB		120-1300	---
1998	L4	2.0	1996	122	Y	ECC		120-1300	---
1997-96	L4	2.0	1996	122	C	ECB	(C, Y)	120-1300	---
1997-96	L4	2.0	1996	122	Y	ECC	(C, Y)	120-1300	---
1995	L4	2.0	1996	122	C,Y		(C, Y)	120-1300	---
PROWLER									
2001-00	V6	3.5	3497	215	G			120-1350	---
1999	V6	3.5	3497	215				120-1350	---
VOYAGER									
2000-98	L4	2.4	2429	148	B			120-4220	---
1997	L4	2.4	2429	148	B		(B)	120-4220	---
PONTIAC									
6000									
1989-87	V6	2.8		173	W		(W)	130-1480	---
1991-88	V6	3.1		189	T		(T)	130-1480	---
AZTEK									
2005-01	V6	3.4		207	E			130-1480	---
BONNEVILLE									
2005-98	V6	3.8		231	K			130-1780	---
2003-98	V6	3.8		231	1			130-1780	---
1997-96	V6	3.8		231	1,K		(1, K)	130-1780	---
2005-04	V8	4.6		281	Y			130-1840	---
FIREBIRD									
2002-96	V6	3.8		231	K			130-1780	---
2002-98	V8	5.7		350	G			130-7290	---
G5									
2009	L4	2.2	2198	134	H	LAP		130-7350	---
2008-07	L4	2.2	2198	134	F	L61		130-7350	---
2008	L4	2.4		145	B			130-7350	---
2007	L4	2.4	2384	145	B			130-7350	---
G6									
2009-06	L4	2.4	2384	145	B			130-7350	---
2009-07	V6	3.5	3490	213	N			130-9660	---
2009	V6	3.5	3490	213	K			130-9660	---
2006	V6	3.5		214	8			130-1480	---
2005	V6	3.5		211	8			130-1480	---

							WATER PUMP		
YEAR	TYPE	LITER	C.C.	CID	VIN	DES'G	INSTALLATION ADVICE	STANDARD	PERFORMANCE
PONTIAC (Cont'd)									
G6 (Cont'd)									
2009-07	V6	3.6		217	7			130-5130	---
2009-06	V6	3.9	3880	237	1			130-9660	---
G8									
2009-08	V6	3.6		217	7			130-5130	---
GRAND AM									
2005-02	L4	2.2	2198	134	F	L61		130-7350	---
1998-94	V6	3.1		189	M			130-1480	---
2005-99	V6	3.4		207	E			130-1480	---
GRAND PRIX									
1989-88	V6	2.8		173	W		(W)	130-1480	---
2003-00	V6	3.1		189	J			130-1480	---
1999-98	V6	3.1		189	M			130-1480	---
1997-94	V6	3.1		189	M		(J, M, T, V)	130-1480	---
1993-89	V6	3.1		189	T		(J, M, T, V)	130-1480	---
1990-89	V6	3.1		189	V		(J, M, T, V)	130-1480	---
1996-91	V6	3.4		207	X		(X)	130-1480	---
2008-07	V6	3.8		231	2			130-1780	---
2007	V6	3.8		231	4			130-1780	---
2006	V6	3.8		231	2,4			130-7340	---
2005-04	V6	3.8		231	2,4			130-1780	---
2003-98	V6	3.8		231	1,K			130-1780	---
1997	V6	3.8		231	1,K		(1, 2, 4, K)	130-1780	---
2008-05	V8	5.3	5328	325	C			130-2040	---
GTO									
2004	V8	5.7		350				130-7290	---
2006-05	V8	6.0		364	U			130-7290	---
MONTANA									
2005-99	V6	3.4		207	E			130-1480	---
2006-05	V6	3.5		213	L			130-1480	---
2006	V6	3.9	3880	237	1			130-9660	---
SOLSTICE									
2009-07	L4	2.0	1998	122	X			130-7350	---
2009-06	L4	2.4	2384	145	B			130-7350	---
SUNBIRD									
1994-91	V6	3.1		189	T		(T)	130-1480	---
SUNFIRE									
2005-02	L4	2.2	2198	134	F	L61		130-7350	---
TORRENT									
2009-08	V6	3.6		217	7			130-5130	---
TRANS SPORT									
1995-90	V6	3.1		189	D		(D)	130-1480	---
1998-96	V6	3.4		207	E			130-1480	---
VIBE									
2008-03	L4	1.8	1794		8	1ZZFE		130-7360	---
2006-03	L4	1.8	1795		L	2ZZGE		170-2400	---
PORSCHE									
911									
2008-06	H6	3.6	3596					180-9030	---
2005	H6	3.6	3596				Cabrio (Body Code 997)	180-9030	---
2005	H6	3.6	3596				Coupe	180-9030	---
2008-05	H6	3.8	3824					180-9030	---

							WATER PUMP		
YEAR	TYPE	LITER	C.C.	CID	VIN	DES'G	INSTALLATION ADVICE	STANDARD	PERFORMANCE
PORSCHE (Cont'd)									
BOXSTER									
2008-05	H6	2.7	2687					180-9030	---
2006-05	H6	3.2	3179					180-9030	---
2008-07	H6	3.4	3387					180-9030	---
CAYMAN									
2008-07	H6	2.7	2687					180-9030	---
2008-06	H6	3.4	3387					180-9030	---
SAAB									
9-2X									
2005	H4	2.0	1994			EJ205		160-1150	---
2006	H4	2.5	2458			EJ255		160-1150	---
9-3									
2004-03	L4	2.0	1985			B207L		130-7350	---
2004-03	L4	2.0	1985			B207R		130-7350	---
2009-08	V6	2.8	2792	170	U	B284R		130-5130	---
2009-06	V6	2.8	2792	170	U	B284		130-5130	---
9-7X									
2009-05	L6	4.2		256	S			130-7700	---
2006	V8	5.3		325	M			130-7340	---
2005	V8	5.3		323	M			130-7340	---
SATURN									
AURA									
2009-08	L4	2.4		145	B			130-7350	---
2009-07	L4	2.4		145	5			130-7350	---
2008-07	V6	3.5	3490	213	N			130-9660	---
2009-07	V6	3.6		217	7			130-5130	---
ION									
2007-04	L4	2.0		122	P			130-7350	---
2004-03	L4	2.2	2198	134	F	L61		130-7350	---
ION-1									
2005	L4	2.2	2198	134	F	L61		130-7350	---
ION-2									
2007-05	L4	2.2	2198	134	F	L61		130-7350	---
ION-3									
2007-05	L4	2.2	2198	134	F	L61		130-7350	---
2007-06	L4	2.4	2384	145	B			130-7350	---
L SERIES									
2004	L4	2.2	2198	134	F	L61		130-7350	---
2002	L4	2.2	2198	134	F	L61		130-7350	---
LS SERIES									
2001-00	L4	2.2	2198	134	F	L61		130-7350	---
LW SERIES									
2002-00	L4	2.2	2198	134	F	L61		130-7350	---
OUTLOOK									
2009	V6	3.6		217	D	LLT		130-5130	---
2008-07	V6	3.6		217	7			130-5130	---
RELAY-1									
2007	V6	3.9	3880	237	1			130-9660	---
2007	V6	3.9	3880	237	W	LGD		130-9660	---

							WATER PUMP		
YEAR	TYPE	LITER	C.C.	CID	VIN	DES'G	INSTALLATION ADVICE	STANDARD	PERFORMANCE
SATURN (Cont'd)									
RELAY-2									
2006-05	V6	3.5		213	L			130-1480	---
2007	V6	3.9	3880	237	1			130-9660	---
2007	V6	3.9	3880	237	W	LGD		130-9660	---
RELAY-3									
2006-05	V6	3.5		213	L			130-1480	---
2007-06	V6	3.9	3880	237	1			130-9660	---
2007	V6	3.9	3880	237	W	LGD		130-9660	---
SKY									
2009-07	L4	2.0	1998	122	X			130-7350	---
2009-07	L4	2.4	2384	145	B			130-7350	---
VUE									
2007-06	L4	2.2	2198	134	D			130-7350	---
2005-02	L4	2.2		134				130-7350	---
2009-08	L4	2.4		145	P			130-7350	---
2009-07	L4	2.4		145	Z			130-7350	---
2009-08	V6	3.5	3490	213	N			130-9660	---
2009-08	V6	3.6		217	7			130-5130	---
2009	V6	3.6		217	B	LCS		130-5130	---
SUBARU									
B9 TRIBECA									
2007-06	H6	3.0	3000			EZ30D		160-2070	---
BAJA									
2006-04	H4	2.5	2458			EJ255		160-1150	---
2006-03	H4	2.5	2458			EJ253		160-1120	---
FORESTER									
2007-04	H4	2.5	2458			EJ255		160-1150	---
2005	H4	2.5	2458			EJ253	Auto Trans	160-2080	---
2005	H4	2.5	2458			EJ253	Manual Trans	160-1120	---
2004-03	H4	2.5	2458			EJ251	Auto Trans	160-2080	---
2004-03	H4	2.5	2458			EJ251	Manual Trans	160-1120	---
2002	H4	2.5	2458	6		EJ251	Auto Trans	160-2080	---
2002	H4	2.5	2458	6		EJ251	Manual Trans	160-1120	---
2001-00	H4	2.5	2458	6		EJ251		160-1120	---
1999	H4	2.5	2458			EJ253		160-1120	---
1998	H4	2.5	2458	6		EJ25D		160-1120	---
IMPREZA									
1997	H4	1.8	1781		2			160-1120	---
1995	H4	1.8	1781		2			160-1120	---
2005-02	H4	2.0	1994			EJ205		160-1150	---
2001-99	H4	2.2	2212	4		EJ222		160-1120	---
1999	H4	2.2	2212			EJ223		160-1120	---
1998	H4	2.2	2212	4		EJ22EZ		160-1120	---
2009-04	H4	2.5	2458			EJ257		160-1150	---
2007-06	H4	2.5	2458			EJ255		160-1150	---
2005	H4	2.5	2458			EJ253		160-1120	---
2004-01	H4	2.5	2458			EJ251		160-1120	---
2000	H4	2.5	2458	6		EJ251		160-1120	---
1999	H4	2.5	2458			EJ253		160-1120	---
1998	H4	2.5	2458	6		EJ25D		160-1120	---
LEGACY									
1999	H4	2.2	2212		4	EJ22E		160-1120	---
1998-97	H4	2.2	2212		4			160-1120	---
1998	H4	2.2	2212		3			160-1120	---
1995	H4	2.2	2212		6			160-1120	---
1993-91	H4	2.2	2212		6			160-1120	---
2009-05	H4	2.5	2458			EJ255		160-1150	---
2005-01	H4	2.5	2458			EJ253		160-1120	---

							WATER PUMP		
YEAR	TYPE	LITER	C.C.	CID	VIN	DES'G	INSTALLATION ADVICE	STANDARD	PERFORMANCE
SUBARU (Cont'd)									
LEGACY (Cont'd)									
2004	H4	2.5	2458			EJ259		160-1120	---
2000	H4	2.5	2458		6	EJ252		160-1120	---
2000	H4	2.5	2458			EJ251		160-1120	---
1999	H4	2.5	2458			EJ25D		160-1120	---
1998-97	H4	2.5	2458		6			160-1120	---
2009-08	H6	3.0	3000			EZ30D		160-2070	---
OUTBACK									
2009-05	H4	2.5	2458			EJ255		160-1150	---
2005-01	H4	2.5	2458			EJ253		160-1120	---
2004	H4	2.5	2458			EJ259		160-1120	---
2000	H4	2.5	2458		6	EJ252		160-1120	---
2000	H4	2.5	2458			EJ251		160-1120	---
2009-01	H6	3.0	3000			EZ30D		160-2070	---
SUZUKI									
AERIO									
2003-02	L4	2.0	2000					165-2001	---
2006-04	L4	2.3	2290					165-2001	---
ESTEEM									
2002-00	L4	1.8	1790		4			165-2001	---
1999	L4	1.8	1790					165-2001	---
GRAND VITARA									
2005-99	V6	2.5	2500					165-1200	---
2001	V6	2.7	2737					165-1200	---
SIDEKICK									
1998-96	L4	1.8	1840		2			165-2001	---
VITARA									
2003-99	L4	2.0	2000					165-2001	---
2004	V6	2.5	2500					165-1200	---
XL-7									
2006-05	V6	2.7	2737					165-1200	---
2004-02	V6	2.7	2700					165-1200	---
TOYOTA									
4RUNNER									
2002-99	V6	3.4	3378			5VZFE		170-1970	---
1998-96	V6	3.4	3378		N	5VZFE		170-1970	---
2009-03	V6	4.0	3956			1GRFE		170-3940	---
2006-03	V8	4.7	4663	285		2UZFE		170-1840	---
AVALON									
2004-99	V6	3.0	2995			1MZFE		170-1920	---
1998	V6	3.0	2995		F	1MZFE		170-1920	---
1997-96	V6	3.0	2995		F	1MZFE	(G)	170-1920	---
1995	V6	3.0	2995		G	1MZFE	(G)	170-1920	---
2009-05	V6	3.5	3456			2GRFE		170-7370	---
2008	V6	3.5	3456			2GRFE	From 07/07	170-7370	---
CAMRY									
2009-07	L4	2.4	2362			2AZFXE		170-2470	---
2009-02	L4	2.4	2362			2AZFE		170-2470	---
2006-99	V6	3.0	2995			1MZFE		170-1920	---
1998	V6	3.0	2995		F	1MZFE		170-1920	---
1997-96	V6	3.0	2995		F	1MZFE	(G)	170-1920	---
1995-94	V6	3.0	2995		G	1MZFE	(G)	170-1920	---
1995	V6	3.0	2959		G		(G) Eng. Code 1MZFE	170-1920	---
1994	V6	3.0	2959		G		(G)	170-1920	---

							WATER PUMP		
YEAR	TYPE	LITER	C.C.	CID	VIN	DES'G	INSTALLATION ADVICE	STANDARD	PERFORMANCE
TOYOTA (Cont'd)									
CAMRY (Cont'd)									
2006-05	V6	3.3	3300	202		3MZFE		170-1920	---
2004	V6	3.3	3300			3MZFE		170-1920	---
2009-07	V6	3.5	3456			2GRFE		170-7370	---
CELICA									
2005-02	L4	1.8	1794		R	1ZZFE		130-7360	---
2005-00	L4	1.8	1795			2ZZGE		170-2400	---
COROLLA									
2008-03	L4	1.8	1794		R	1ZZFE		130-7360	---
2006-05	L4	1.8	1795			2ZZGE		170-2400	---
2004	L4	1.8	1794		R	1ZZFE	Exc. Japan Built Vehicle (To 05/04)	130-7360	---
2002-98	L4	1.8	1794		R	1ZZFE		130-7360	---
2009	L4	2.4	2362			2AZFE		170-2470	---
ECHO									
2005-00	L4	1.5	1497			1NZFE		170-2101	---
FJ CRUISER									
2009-07	V6	4.0	3956			1GRFE		170-3940	---
HIGHLANDER									
2007-01	L4	2.4	2362			2AZFE		170-2470	---
2003-01	V6	3.0	2995			1MZFE		170-1920	---
2009-05	V6	3.3	3300	202		3MZFE		170-1920	---
2004	V6	3.3	3300			3MZFE		170-1920	---
2009-08	V6	3.5	3456			2GRFE		170-7370	---
LAND CRUISER									
2006-99	V8	4.7	4663	285		2UZFE		170-1840	---
1998	V8	4.7	4663	285	T	2UZFE		170-1840	---
MATRIX									
2008-07	L4	1.8	1794		R	1ZZFE		130-7360	---
2006-03	L4	1.8	1794		R	1ZZFE	AWD, FWD	130-7360	---
2006-03	L4	1.8	1795			2ZZGE		170-2400	---
2009	L4	2.4	2362			2AZFE		170-2470	---
MR2 SPYDER									
2005-02	L4	1.8	1794		R	1ZZFE		130-7360	---
PRIUS									
2008-01	L4	1.5	1497			1NZFXE		170-2101	---
RAV4									
2003-01	L4	2.0	1998			1AZFE		170-2470	---
2008-04	L4	2.4	2362			2AZFE		170-2470	---
2009-06	V6	3.5	3456			2GRFE		170-7370	---
SEQUOIA									
2006-01	V8	4.7	4663	285		2UZFE		170-1840	---
SIENNA									
2003-99	V6	3.0	2995			1MZFE		170-1920	---
1998	V6	3.0	2995		F	1MZFE		170-1920	---
2006-04	V6	3.3	3300	202		3MZFE		170-1920	---
2009-07	V6	3.5	3456			2GRFE		170-7370	---
SOLARA									
2008-02	L4	2.4	2362			2AZFE		170-2470	---
2003-99	V6	3.0	2995			1MZFE		170-1920	---
2008-05	V6	3.3	3300	202		3MZFE		170-1920	---
2004	V6	3.3	3300			3MZFE		170-1920	---

WATER PUMP

YEAR	TYPE	LITER	C.C.	CID	VIN	DES'G	INSTALLATION ADVICE	STANDARD	PERFORMANCE
TOYOTA (Cont'd)									
T100									
1998	V6	3.4	3378		N	5VZFE	2WD, RWD (Auto Trans)	170-2103	---
1998	V6	3.4	3378		N	5VZFE	2WD, RWD (Manual Trans)	170-1970	---
1998	V6	3.4	3378		N	5VZFE	4WD	170-1970	---
1997-96	V6	3.4	3378		N	5VZFE	(N, V) 2WD; w/ Auto Trans	170-2103	---
1997-96	V6	3.4	3378		N	5VZFE	(N, V) 2WD; w/ Manual Trans	170-1970	---
1997-96	V6	3.4	3378		N	5VZFE	(N, V) 4WD	170-1970	---
1995	V6	3.4	3378		V	5VZFE	(N, V) 2WD; w/ Auto Trans	170-2103	---
1995	V6	3.4	3378		V	5VZFE	(N, V) 2WD; w/ Manual Trans	170-1970	---
1995	V6	3.4	3378		V	5VZFE	(N, V) 4WD	170-1970	---
TACOMA									
2004-01	V6	3.4	3378			5VZFE		170-1970	---
2000-99	V6	3.4	3378			5VZFE	4WD	170-1970	---
2000-99	V6	3.4	3378			5VZFE	RWD (Auto Trans) (Column Shift)	170-2103	---
2000-99	V6	3.4	3378			5VZFE	RWD (Auto Trans) (Floor Shift)	170-1970	---
2000-99	V6	3.4	3378			5VZFE	RWD (Manual Trans)	170-1970	---
1999	V6	3.4	3378			5VZFE	2WD (Auto Trans) (Column Shift)	170-2103	---
1999	V6	3.4	3378			5VZFE	2WD (Auto Trans) (Floor Shift)	170-1970	---
1999	V6	3.4	3378			5VZFE	2WD (Manual Trans)	170-1970	---
1998	V6	3.4	3378		N	5VZFE	2WD, RWD (Auto Trans) (Column Shift)	170-2103	---
1998	V6	3.4	3378		N	5VZFE	2WD, RWD (Auto Trans) (Floor Shift)	170-1970	---
1998	V6	3.4	3378		N	5VZFE	2WD, RWD (Manual Trans)	170-1970	---
1998	V6	3.4	3378		N	5VZFE	4WD	170-1970	---
1997-96	V6	3.4	3378		N	5VZFE	2WD; w/ AT w/ Column Shift	170-2103	---
1997-96	V6	3.4	3378		N	5VZFE	2WD; w/ AT w/ Column Shift; w/ By-Pass Tube	170-1970	---
1997-96	V6	3.4	3378		N	5VZFE	2WD; w/ AT w/ Floor Shift; w/ By-Pass Tube	170-1970	---
1997-96	V6	3.4	3378		N	5VZFE	2WD; w/ MT; w/ By-Pass Tube	170-1970	---
1997-96	V6	3.4	3378		N	5VZFE	4WD; w/ By-Pass Tube	170-1970	---
1995	V6	3.4	3378		V	5VZFE	2WD; w/ AT w/ Column Shift	170-2103	---
1995	V6	3.4	3378		V	5VZFE	2WD; w/ AT w/ Column Shift; w/ By-Pass Tube	170-1970	---
1995	V6	3.4	3378		V	5VZFE	2WD; w/ AT w/ Floor Shift; w/ By-Pass Tube	170-1970	---
1995	V6	3.4	3378		V	5VZFE	2WD; w/ MT; w/ By-Pass Tube	170-1970	---
1995	V6	3.4	3378		V	5VZFE	4WD; w/ By-Pass Tube	170-1970	---
2009-05	V6	4.0	3956			1GRFE		170-3940	---
TUNDRA									
2004-03	V6	3.4	3378			5VZFE	RWD (Floor Shift)	170-2103	---
2004-00	V6	3.4	3378			5VZFE	RWD (Column Shift)	170-2103	---
2004-00	V6	3.4	3378			5VZFE	4WD	170-1970	---
2002-00	V6	3.4	3378			5VZFE	RWD (Floor Shift)	170-1970	---
2009-05	V6	4.0	3956			1GRFE		170-3940	---
VENZA									
2009	V6	3.5	3456			2GRFE		170-7370	---
YARIS									
2008-07	L4	1.5	1497			1NZFE		170-2101	---
VOLKSWAGEN									
BEETLE									
2005	L4	1.8	1781			BKF		180-2220	---
2004-02	L4	1.8	1781			AWP		180-2220	---
2004-01	L4	1.8	1781			AWV		180-2220	---
2001-99	L4	1.8	1781			APH		180-2220	---
2006-04	L4	1.9	1896	116		BEW		180-2200	---
2004-99	L4	1.9	1896	116		ALH		180-2200	---
1998	L4	1.9	1896	116	F	ALH		180-2200	---
2005-04	L4	2.0	1984			BEV		180-2220	---
2005-04	L4	2.0	1984			BGD		180-2220	---
2003-01	L4	2.0	1984			AVH		180-2220	---
2003	L4	2.0	1984			BDC		180-2220	---
2002-01	L4	2.0	1984			AZG		180-2220	---
2001-99	L4	2.0	1984			AEG		180-2220	---
1998	L4	2.0	1984		B	AEG		180-2220	---

WATER PUMPS

							WATER PUMP		
YEAR	TYPE	LITER	C.C.	CID	VIN	DES'G	INSTALLATION ADVICE	STANDARD	PERFORMANCE
VOLKSWAGEN (Cont'd)									
EOS									
2008-07	V6	3.2	3189	195		BUB		180-9020	---
EUROVAN									
2003	V6	2.8	2792			AXK		180-9020	---
2002	V6	2.8	2792			AXK	From Chassis/VIN 70-2-097 001	180-9020	---
GOLF									
2006-02	L4	1.8	1781			AWP		180-2220	---
2001-00	L4	1.8	1781			AWD		180-2220	---
2001-00	L4	1.8	1781			AWW		180-2220	---
2006-04	L4	1.9	1896	116		BEW		180-2200	---
2004-99	L4	1.9	1896	116		ALH		180-2200	---
2006-04	L4	2.0	1984			BEV		180-2220	---
2003-01	L4	2.0	1984			AVH		180-2220	---
2002	L4	2.0	1984			AZG		180-2220	---
2001-99	L4	2.0	1984			AEG		180-2220	---
2005-02	V6	2.8	2792			BDF		180-9020	---
2004	V6	3.2	3189			BJS		180-9020	---
JETTA									
2005-02	L4	1.8	1781			AWP		180-2220	---
2001-00	L4	1.8	1781			AWD		180-2220	---
2001-00	L4	1.8	1781			AWW		180-2220	---
2005-04	L4	1.9	1896	116		BEW		180-2200	---
2004-99	L4	1.9	1896	116		ALH		180-2200	---
2005-04	L4	2.0	1984			BBW		180-2220	---
2005-04	L4	2.0	1984			BEV		180-2220	---
2003-01	L4	2.0	1984			AVH		180-2220	---
2003-01	L4	2.0	1984			AZG		180-2220	---
2001-99	L4	2.0	1984			AEG		180-2220	---
2001	L4	2.0	1984		B	AEG		180-2220	---
2004-02	V6	2.8	2792			BDF		180-9020	---
PASSAT									
2005-01	L4	1.8	1781			AWM		180-2220	---
2001-00	L4	1.8	1781			AUG		180-2220	---
2005	L4	2.0	1967	120		BHW		180-2200	---
2004	L4	2.0	1967	120	E	BHW		180-2200	---
2005	V6	2.8	2771			ATQ		180-2120	---
2004-00	V6	2.8	2771		H	ATQ		180-2120	---
1999-98	V6	2.8	2771		D	AHA		180-2120	---
1999-98	V6	2.8	2771			AHA		180-2120	---
1999	V6	2.8	2771		A	AHA		180-2120	---
PHAETON									
2005	V8	4.2	4172			BGH		180-2260	---
2004	V8	4.2	4172					180-2260	---
R32									
2008	V6	3.2	3189	195		CBRA		180-9020	---
TOUAREG									
2006-05	V6	3.2	3189	195		BMX		180-9020	---
2005-04	V6	3.2	3200	195		BAA		180-9020	---
2005-04	V8	4.2	4172			AXQ		180-2260	---
VOLVO									
850									
1994	L5	2.3	2319		5	B5234FT	(5)	190-1070	---
1995	L5	2.4	2435		55	B5254S	(5)	190-1070	---
1994-93	L5	2.4	2435		55	B5254F	(5)	190-1070	---
XC90									
2004	L6	2.9	2917			B6294T		190-1070	---

Buyer's Guide / Numerical Listing

Part No.	Make	Year	Cyl.	Engine	Part No.	Make	Year	Cyl.	Engine
115-3090	BMW	2006-99	L6	2.5L	125-1910	FORD	2000-95	V6	2.5L
	BMW	1995-92	L6	2.5L		FORD	2005-01	V6	3.0L
	BMW	2000-99	L6	2.8L		MAZDA	2001-00	V6	2.5L
	BMW	2006-01	L6	3.0L		MAZDA	2008	V6	3.0L
115-3100	BMW	2008-02	V8	4.4L		MAZDA	2006-01	V6	3.0L
	BMW	2006-04	V8	4.8L		MERCURY	2002-95	V6	2.5L
115-3110	BMW	2007-06	L6	3.2L		MERCURY	2005-01	V6	3.0L
	BMW	2002-01	L6	3.2L	125-1940	FORD	2004-96	V6	3.8L
120-1300	CHRYSLER	2000-95	L4	2.0L		MERCURY	1997-96	V6	3.8L
	CHRYSLER	2000	V6	2.5L	125-1940P	PERFORMANCE			
	DODGE	2005	L4	2.0L	125-1970	FORD	2003-96	V6	3.8L
	DODGE	2001-95	L4	2.0L		FORD	2007-04	V6	3.9L
	EAGLE	1998-95	L4	2.0L		FORD	2007-04	V6	4.2L
	MITSUBISHI	1999-95	L4	2.0L		MERCURY	2007-04	V6	4.2L
	PLYMOUTH	2001-95	L4	2.0L	125-2100	FORD	2004-98	L4	2.0L
120-1350	CHRYSLER	2001-98	V6	3.2L		FORD	1999	V6	2.5L
	CHRYSLER	2004-99	V6	3.5L		MAZDA	2004-01	L4	2.0L
	DODGE	2001-98	V6	3.2L		MERCURY	2002-98	L4	2.0L
	DODGE	2004-00	V6	3.5L	125-2101	FORD	2004-97	V6	4.2L
	PLYMOUTH	2001-99	V6	3.5L	125-2102	FORD	2005-97	V6	4.0L
120-3072	DODGE	2009-03	L6	5.9L		MAZDA	2005-01	V6	4.0L
	DODGE	1997-89	L6	5.9L		MERCURY	2005-98	V6	4.0L
120-4190	CHRYSLER	2007	V6	2.7L	125-2430	MAZDA	2008-04	R2	1.3L
	CHRYSLER	2004-01	V6	2.7L	125-2450	FORD	2007-04	V8	6.0L
	CHRYSLER	1998	V6	2.7L	125-4130	FORD	2005-03	V8	6.0L
	DODGE	2007	V6	2.7L	125-5920	FORD	2006-97	V10	6.8L
	DODGE	2004-00	V6	2.7L	125-5950	FORD	2009-99	V8	4.6L
	DODGE	1998	V6	2.7L	125-5970	FORD	2009-01	V8	4.6L
120-4220	CHRYSLER	2009-00	L4	2.4L		LINCOLN	2009-01	V8	4.6L
	CHRYSLER	1998-96	L4	2.4L		MERCURY	2009-01	V8	4.6L
	DODGE	2007-95	L4	2.4L	125-5980	FORD	2004-00	L4	2.0L
	JEEP	2006-02	L4	2.4L	125-5990	FORD	2009-02	V8	4.6L
	PLYMOUTH	2000-97	L4	2.4L		MERCURY	2009-02	V8	4.6L
120-4230	CHRYSLER	2005-01	V6	3.3L	125-6000	FORD	2009-05	L4	2.0L
	CHRYSLER	2005-01	V6	3.8L		FORD	2009-01	L4	2.3L
	DODGE	2005-01	V6	3.3L		FORD	2009	L4	2.5L
	DODGE	2005-01	V6	3.8L		MAZDA	2006-04	L4	2.0L
120-4340	JEEP	2004-99	L6	4.0L		MAZDA	2006-03	L4	2.3L
120-4350	CHRYSLER	2009-07	V8	4.7L		MAZDA	2009	L4	2.5L
	DODGE	2009-02	V6	3.7L		MERCURY	2009-05	L4	2.3L
	DODGE	2009-00	V8	4.7L		MERCURY	2009	L4	2.5L
	JEEP	2009-07	V6	3.7L	125-6010	FORD	2004-01	V8	5.4L
	JEEP	2005-02	V6	3.7L	125-6030	FORD	2005-04	V8	3.9L
	JEEP	2009-07	V8	4.7L		FORD	2002	V8	3.9L
	JEEP	2005-99	V8	4.7L		JAGUAR	2003-97	V8	4.0L
	MITSUBISHI	2009-06	V6	3.7L		JAGUAR	2005-03	V8	4.2L
	MITSUBISHI	2007-06	V8	4.7L		LAND ROVER	2009-06	V8	4.2L
120-4370	CHRYSLER	2007	V8	5.7L		LAND ROVER	2009-05	V8	4.4L
	DODGE	2008-03	V8	5.7L		LINCOLN	2002-00	V8	3.9L
120-7150	CHRYSLER	2007-05	V8	5.7L	125-6040	JAGUAR	2006-03	V6	3.0L
	CHRYSLER	2007-05	V8	6.1L		LINCOLN	2005-03	V6	3.0L
	DODGE	2007-05	V8	5.7L	125-6050	FORD	2008-98	V8	4.6L
	DODGE	2007-06	V8	6.1L		FORD	2009-98	V8	5.4L
	JEEP	2008-05	V8	5.7L		LINCOLN	2005-03	V8	4.6L
	JEEP	2007-06	V8	6.1L		LINCOLN	2009	V8	5.4L
120-7170	CHRYSLER	2009-05	V6	3.5L		LINCOLN	2006-98	V8	5.4L
	CHRYSLER	2009-07	V6	4.0L	125-9050	FORD	2007-05	V6	3.0L
	DODGE	2009-05	V6	3.5L		MERCURY	2007-05	V6	3.0L
	DODGE	2009-07	V6	4.0L	125-9060	FORD	2007	V6	3.5L
120-7180	CHRYSLER	2008	L4	2.4L		LINCOLN	2007	V6	3.5L
	DODGE	2008	L4	2.4L	130-1480	BUICK	1989-87	V6	2.8L
	JEEP	2009-07	L4	2.0L		BUICK	2005-89	V6	3.1L
	JEEP	2008	L4	2.4L		BUICK	2005-02	V6	3.4L
120-7220	DODGE	2006-04	L5	2.7L		BUICK	2007-05	V6	3.5L
125-1820	FORD	2007-95	V6	3.0L		CADILLAC	1988-87	V6	2.8L
	MERCURY	2005-95	V6	3.0L		CHEVROLET	1989-87	V6	2.8L
125-1820P	PERFORMANCE					CHEVROLET	2003-90	V6	3.1L
125-1850	FORD	2006-95	V6	3.0L		CHEVROLET	2005-91	V6	3.4L
	MAZDA	1999-98	V6	3.0L		CHEVROLET	2006-04	V6	3.5L
	MAZDA	1996-95	V6	3.0L		OLDSMOBILE	1989-87	V6	2.8L
125-1850P	PERFORMANCE					OLDSMOBILE	1999-89	V6	3.1L

Buyer's Guide / Numerical Listing

Part No.	Make	Year	Cyl.	Engine	Part No.	Make	Year	Cyl.	Engine
130-1480	OLDSMOBILE	2004-91	V6	3.4L		PONTIAC	2005-02	L4	2.2L
(Cont'd)	PONTIAC	1989-87	V6	2.8L		PONTIAC	2009-06	L4	2.4L
	PONTIAC	2003-88	V6	3.1L		SAAB	2004-03	L4	2.0L
	PONTIAC	2005-91	V6	3.4L		SATURN	2009-04	L4	2.0L
	PONTIAC	2006-05	V6	3.5L		SATURN	2007-00	L4	2.2L
	SATURN	2006-05	V6	3.5L		SATURN	2009-06	L4	2.4L
130-1780	BUICK	2009-07	V6	3.8L	130-7360	PONTIAC	2008-03	L4	1.8L
	BUICK	2005-96	V6	3.8L		TOYOTA	2008-98	L4	1.8L
	CHEVROLET	2005-96	V6	3.8L	130-7700	BUICK	2007-04	L6	4.2L
	OLDSMOBILE	1999-96	V6	3.8L		CHEVROLET	2006-04	L4	2.8L
	PONTIAC	2008-07	V6	3.8L		CHEVROLET	2009-07	L4	2.9L
	PONTIAC	2005-96	V6	3.8L		CHEVROLET	2006-04	L5	3.5L
130-1820	CADILLAC	2000-99	V8	5.7L		CHEVROLET	2009-07	L5	3.7L
	CHEVROLET	2007-96	V6	4.3L		CHEVROLET	2009-02	L6	4.2L
	CHEVROLET	2002-96	V8	5.0L		GMC	2006-04	L4	2.8L
	CHEVROLET	2002-96	V8	5.7L		GMC	2009-07	L4	2.9L
	GMC	2007-96	V6	4.3L		GMC	2006-04	L5	3.5L
	GMC	2002-96	V8	5.0L		GMC	2009-07	L5	3.7L
	GMC	2002-96	V8	5.7L		GMC	2009-02	L6	4.2L
	GMC	1992	V8	5.7L		HUMMER	2006	L5	3.5L
	ISUZU	2000-97	V6	4.3L		HUMMER	2009-07	L5	3.7L
	OLDSMOBILE	2001-96	V6	4.3L		ISUZU	2006	L4	2.8L
130-1820P	PERFORMANCE					ISUZU	2008-07	L4	2.9L
130-1840	CADILLAC	2005-95	V8	4.6L		ISUZU	2006	L5	3.5L
	OLDSMOBILE	2003-01	V8	4.0L		ISUZU	2008-07	L5	3.7L
	OLDSMOBILE	1999-95	V8	4.0L		ISUZU	2008-03	L6	4.2L
	PONTIAC	2005-04	V8	4.6L		OLDSMOBILE	2004-02	L6	4.2L
130-1920	CHEVROLET	2008-04	L4	1.6L		SAAB	2009-05	L6	4.2L
130-2030	CHEVROLET	2007-06	V8	6.6L	130-9660	BUICK	2009	V6	3.9L
	GMC	2007-06	V8	6.6L		BUICK	2007-06	V6	3.9L
130-2040	BUICK	2009-08	V8	5.3L		CHEVROLET	2009-06	V6	3.5L
	CHEVROLET	2009-06	V8	5.3L		CHEVROLET	2009-06	V6	3.9L
	PONTIAC	2008-05	V8	5.3L		PONTIAC	2009-07	V6	3.5L
130-5130	BUICK	2009-04	V6	3.6L		PONTIAC	2009-06	V6	3.9L
	CADILLAC	2007-05	V6	2.8L		SATURN	2009-07	V6	3.5L
	CADILLAC	2009-04	V6	3.6L		SATURN	2007-06	V6	3.9L
	CHEVROLET	2009-08	V6	3.6L	135-1500	ACURA	2005-04	L4	2.4L
	GMC	2009-07	V6	3.6L		HONDA	2009-03	L4	2.4L
	PONTIAC	2009-07	V6	3.6L	135-1510	ACURA	2006-02	L4	2.0L
	SAAB	2009-06	V6	2.8L	135-1520	ACURA	2006-02	L4	2.0L
	SATURN	2009-07	V6	3.6L		HONDA	2005-02	L4	2.0L
130-5980	CHEVROLET	2005-01	V8	6.6L		HONDA	2006-02	L4	2.4L
	GMC	2005-01	V8	6.6L	135-1530	ACURA	2008-04	V6	3.2L
130-7260	CHEVROLET	2007-01	V8	8.1L		ACURA	2008-03	V6	3.5L
	GMC	2007-01	V8	8.1L		ACURA	2008-07	V6	3.7L
130-7290	CHEVROLET	1995	V6	3.8L		HONDA	2007-03	V6	3.0L
	CHEVROLET	2004-00	V8	5.7L		HONDA	2009-05	V6	3.5L
	CHEVROLET	1998-97	V8	5.7L	135-2085	ACURA	2005-91	V6	3.0L
	PONTIAC	2004	V8	5.7L		ACURA	2005-97	V6	3.2L
	PONTIAC	2002-98	V8	5.7L	135-2360	ACURA	2004-96	V6	3.5L
	PONTIAC	2006-05	V8	6.0L	135-2380	ACURA	1999-97	V6	3.0L
130-7340	BUICK	2006	V6	3.8L		ACURA	2003-99	V6	3.2L
	BUICK	2006-04	V8	5.3L		ACURA	2002-01	V6	3.5L
	CADILLAC	2005-02	V8	5.3L		HONDA	2002-98	V6	3.0L
	CADILLAC	2006-02	V8	6.0L		HONDA	2004-99	V6	3.5L
	CHEVROLET	2006-99	V8	4.8L	135-2400	HONDA	2006-00	L3	1.0L
	CHEVROLET	2006-99	V8	5.3L	135-2410	HONDA	2003-00	L4	2.0L
	CHEVROLET	2006-99	V8	6.0L		HONDA	2009-04	L4	2.2L
	GMC	2006-99	V8	4.8L	135-2420	HONDA	2005-01	L4	1.7L
	GMC	2006-99	V8	5.3L	135-6980	HONDA	2007-06	L4	1.8L
	GMC	2006-99	V8	6.0L	140-1440	HONDA	2002-98	V6	3.2L
	HUMMER	2006-03	V8	6.0L		ISUZU	2004-98	V6	3.2L
	ISUZU	2006-05	V8	5.3L		ISUZU	2004-98	V6	3.5L
	PONTIAC	2006	V6	3.8L	143-2001	KIA	2004-98	L4	1.8L
	SAAB	2006-05	V8	5.3L	144-2001	LAND ROVER	1995-94	V8	3.9L
130-7350	CHEVROLET	2009-05	L4	2.0L		LAND ROVER	2002-96	V8	4.0L
	CHEVROLET	2009-02	L4	2.2L		LAND ROVER	2004-98	V8	4.6L
	CHEVROLET	2009-06	L4	2.4L		LAND ROVER	2005-02	V6	2.5L
	OLDSMOBILE	2004-02	L4	2.2L	145-1350	FORD	1996-91	L4	1.8L
	PONTIAC	2009-07	L4	2.0L		KIA	2002	L4	1.5L
	PONTIAC	2009-07	L4	2.2L		KIA	2005-03	L4	1.6L

Buyer's Guide / Numerical Listing

Part No.	Make	Year	Cyl.	Engine	Part No.	Make	Year	Cyl.	Engine
145-1350	MAZDA	1993-88	L4	1.6L		SUBARU	1995	H4	2.2L
(Cont'd)	MAZDA	1994-90	L4	1.8L		SUBARU	1993-91	H4	2.2L
	MERCURY	1994-91	L4	1.6L		SUBARU	2006-97	H4	2.5L
	MERCURY	1996-91	L4	1.8L	160-1150	SAAB	2005	H4	2.0L
145-1390	MAZDA	1995	L4	1.5L		SAAB	2006	H4	2.5L
	MAZDA	1995-94	L4	1.6L		SUBARU	2005-02	H4	2.0L
	MAZDA	2005-94	L4	1.8L		SUBARU	2009-04	H4	2.5L
146-1110	HYUNDAI	2005-99	L4	2.4L	160-2070	SUBARU	2009-01	H6	3.0L
	KIA	2006-01	L4	2.4L	160-2080	SUBARU	2005-02	H4	2.5L
146-1130	HYUNDAI	2001	V6	3.0L	165-1200	SUZUKI	2005-99	V6	2.5L
	KIA	2005-02	V6	3.5L		SUZUKI	2006-01	V6	2.7L
146-1230	HYUNDAI	1997-95	L4	1.5L	165-2001	SUZUKI	2002-96	L4	1.8L
	HYUNDAI	2009-01	L4	1.6L		SUZUKI	2003-99	L4	2.0L
	KIA	2009-06	L4	1.6L		SUZUKI	2006-04	L4	2.3L
146-1240	KIA	2006-03	V6	3.5L	170-1840	LEXUS	2000-90	V8	4.0L
146-2020	HYUNDAI	1998-96	L4	1.8L		LEXUS	2006-01	V8	4.3L
	HYUNDAI	2006-97	L4	2.0L		LEXUS	2006-98	V8	4.7L
	KIA	2006-04	L4	2.0L		TOYOTA	2006-98	V8	4.7L
146-2040	KIA	2001	V6	2.5L	170-1920	LEXUS	2003-94	V6	3.0L
	KIA	2006-02	V6	2.7L		LEXUS	2008-04	V6	3.3L
146-7310	HYUNDAI	2001-99	V6	2.5L		TOYOTA	2006-94	V6	3.0L
	HYUNDAI	2009-01	V6	2.7L		TOYOTA	2009-04	V6	3.3L
	KIA	2009-07	V6	2.7L	170-1970	TOYOTA	2004-95	V6	3.4L
147-2220	MERCEDES-BENZ	2005-98	V6	3.2L	170-2101	TOYOTA	2008-00	L4	1.5L
	MERCEDES-BENZ	2001-99	V8	4.3L	170-2103	TOYOTA	2004-95	V6	3.4L
	MERCEDES-BENZ	2008-02	V8	5.0L	170-2380	LEXUS	2005-98	L6	3.0L
	MERCEDES-BENZ	2009-99	V8	5.5L	170-2400	PONTIAC	2006-03	L4	1.8L
147-2250	CHRYSLER	2004	V6	3.2L		TOYOTA	2006-00	L4	1.8L
	MERCEDES-BENZ	2005-01	V6	2.6L	170-2470	TOYOTA	2003-01	L4	2.0L
	MERCEDES-BENZ	2000-98	V6	2.8L		TOYOTA	2009-01	L4	2.4L
	MERCEDES-BENZ	2005-98	V6	3.2L	170-3940	TOYOTA	2009-03	V6	4.0L
	MERCEDES-BENZ	2006-03	V6	3.7L	170-7370	LEXUS	2009-07	V6	3.5L
	MERCEDES-BENZ	2006-98	V8	4.3L		TOYOTA	2009-05	V6	3.5L
	MERCEDES-BENZ	2008-00	V8	5.0L	180-2120	AUDI	2002-00	V6	2.7L
147-2270	MERCEDES-BENZ	2004-98	L4	2.3L		AUDI	2001-95	V6	2.8L
147-9060	MERCEDES-BENZ	2005-03	L4	1.8L		VOLKSWAGEN	2005-98	V6	2.8L
147-9070	MERCEDES-BENZ	2006-05	L6	3.2L	180-2200	VOLKSWAGEN	2006-98	L4	1.9L
148-1510	CHRYSLER	2000-95	V6	2.5L		VOLKSWAGEN	2005-04	L4	2.0L
	CHRYSLER	2005-01	V6	3.0L	180-2220	AUDI	2006-00	L4	1.8L
	DODGE	2000-95	V6	2.5L		VOLKSWAGEN	2006-99	L4	1.8L
	DODGE	2005-01	V6	3.0L		VOLKSWAGEN	2006-98	L4	2.0L
	MITSUBISHI	2005-95	V6	3.0L	180-2240	AUDI	2005-00	V6	2.7L
	MITSUBISHI	2004-97	V6	3.5L	180-2250	AUDI	2004-00	V8	4.2L
	MITSUBISHI	2009-04	V6	3.8L	180-2260	AUDI	1999-97	V8	3.7L
148-1780	MINI	2008-02	L4	1.6L		AUDI	2004	V8	4.2L
	MITSUBISHI	2006-03	L4	2.0L		AUDI	1999-97	V8	4.2L
	MITSUBISHI	2006-04	L4	2.4L		VOLKSWAGEN	2005-04	V8	4.2L
148-1790	MITSUBISHI	2002-01	V6	3.5L	180-9010	AUDI	2006-02	V6	3.0L
	MITSUBISHI	2006-03	V6	3.8L	180-9020	AUDI	2008	V6	3.2L
148-2280	MITSUBISHI	2002-97	L4	1.8L		AUDI	2006-04	V6	3.2L
	MITSUBISHI	2007-02	L4	2.0L		VOLKSWAGEN	2005-02	V6	2.8L
148-2330	CHRYSLER	2005-01	L4	2.4L		VOLKSWAGEN	2008-04	V6	3.2L
	DODGE	2005-01	L4	2.4L	180-9030	PORSCHE	2008-05	H6	2.7L
	MITSUBISHI	2009-99	L4	2.4L		PORSCHE	2006-05	H6	3.2L
150-1400	NISSAN	2004-89	L4	2.4L		PORSCHE	2008-06	H6	3.4L
150-1510	INFINITI	2001-96	V6	3.0L		PORSCHE	2008-05	H6	3.6L
	INFINITI	2002-01	V6	3.5L		PORSCHE	2008-05	H6	3.8L
	NISSAN	2001-95	V6	3.0L	190-1070	VOLVO	1994	L5	2.3L
	NISSAN	2004	V6	3.5L		VOLVO	1995-93	L5	2.4L
	NISSAN	2002-01	V6	3.5L		VOLVO	2004	L6	2.9L
150-2320	INFINITI	2006-02	V6	3.5L					
	NISSAN	2006-02	V6	3.5L					
	NISSAN	2006-05	V6	4.0L					
150-2340	NISSAN	2008-02	L4	2.5L					
150-9010	INFINITI	2009-03	V8	4.5L					
	INFINITI	2009	V8	5.0L					
	INFINITI	2009-04	V8	5.6L					
	NISSAN	2009-04	V8	5.6L					
160-1120	SUBARU	1997	H4	1.8L					
	SUBARU	1995	H4	1.8L					
	SUBARU	2001-97	H4	2.2L					

Water Pump Pictures



110-1040AL
1 Paper Gasket, 2 Spacers



120-1250
1 Paper Gasket, 2 Plugs



120-2907
1 Paper Gasket, 1 Plug



120-7180
1 Paper Gasket



120-7220
1 Paper Gasket, 4 Studs



120-7250
1 Metal Gasket, 1 Rubber Gasket



122-1370
1 Paper Gasket, 1 Small O - Ring



122-2020
1 Paper Gasket, 4 Studs



125-1230AL
1 Rubber spacer



125-2450
1 Rubber Gasket



125-3110
2 Different Paper Gasket



125-3150
1 Paper Gasket



125-3190
2 different paper gaskets



125-3200
2 different paper gaskets, 1 O - Ring



125-3210
1 Paper Gasket

Water Pump Pictures



125-3220
1 Rubber Gasket



125-9050
1 Metal Gasket, 1 Bolt, 1 Washer



125-9090
2 Paper Gaskets



130-1260AL
1 Paper Gasket, 1 Rubber Plug



130-1280AL
1 Paper Gasket



130-2030
2 Different Rubber Gaskets



130-2040
2 Metal Gaskets, 1 Paper Gasket, 1 O -ring



130-8020
1 Rubber Gasket, 4 Studs



130-9700
1 Paper Gasket



135-6920
1 Rubber Gasket



135-6980
1 Rubber Gasket



138-4730
1 Paper Gasket, 1 O - Ring



138-4740
1 Paper Gasket



146-7330
2 Rubber Gaskets



147-2270
1 Paper Gasket

Pictures

Water Pump Pictures



147-2280
2 Different Paper Gasket, 1 O-Ring



147-2290
1 Paper Gasket, 2 O - Rings



148-1400AH
1 Paper Gasket, 1 O - Ring



148-1550
1 Paper Gasket



148-1640
1 Paper Gasket



148-1660
1 Paper Gasket



150-1332
Fan Clutch



150-1700
1 Paper Gasket, 4 Studs



150-9030
1 Paper Gasket, 4 Studs



150-9040
1 Paper Gasket



158-2050
Water Pump Kit



160-2090
1 Paper Gasket, 1 Rubber Seal



165-1190
1 Paper Gasket



170-1160AH
1 Paper Gasket, 4 Studs



170-1600
No hardware, 4 Studs

Pictures

Water Pump Pictures



170-1770AH
3 O Rings, 1 Small Paper Gasket



170-7370
2 Steel Gaskets with back plate



170-7390
No Hardware



170-7400
1 Paper Gasket



170-7410
1 Paper Gasket



180-9070
1 O-ring



190-2140
1 Paper Gasket, 2 Different Seal



196-2090
1 Paper Gasket



196-2100
2 different paper gaskets, 1 O - Ring



196-2110
1 Paper Gasket

Water Pump Interchange List - Casting Numbers

Their No.	Our No.	Their No.	Our No.	Their No.	Our No.	Their No.	Our No.
Audi Casting		Plymouth Casting					
078-121-019B	180-2120	4667662	120-1300				
		4694309	120-4220				
Buick Casting		Pontiac Casting					
12564115	130-1780	12564115	130-1780				
14092225	130-1480	14092225	130-1480				
24504920	130-1780	24504920	130-1780				
Cadillac Casting							
14092225	130-1480						
Chevrolet Casting							
10238199	130-1820						
10492225	130-1480						
12557710	130-7290						
12564115	130-1780						
12564115	130-7290						
14092225	130-1480						
21472033	130-7290						
24504920	130-1780						
Chrysler Casting							
4667662	120-1300						
4694309	120-4220						
Dodge Casting							
1927-10	120-3072						
2338-10C	120-3072						
4667662	120-1300						
4694309	120-4220						
Eagle Casting							
4667662	120-1300						
Ford Casting							
97JM-8505A	125-2102						
F53E-8505AB	125-1910						
F7TE-AA	125-5920						
F7TZ-AA	125-5920						
RFF57E-8505CC	125-1850						
RFF58E-8505AC	125-1820						
RFF65E-8505AD	125-1940						
RFF68E-8505BA	125-1970						
RFF68E-8505BC	125-1970						
RFF75E-8505BA	125-1940						
RFF75E-8505EA	125-2101						
RFF78E-8505BA	125-1970						
RFFE65-8505EA	125-2101						
RFFE65-8505EA	125-2101						
GMC Casting							
10108457	130-1820						
10238199	130-1820						
Mazda Casting							
RFF57E-8505C	125-1850						
Mercury Casting							
F53E-8505AB	125-1910						
RFF58E-8505AC	125-1820						
RFF65E-8505AD	125-1940						
Mitsubishi Casting							
4667662	120-1300						
Oldsmobile Casting							
10238199	130-1820						
14092225	130-1480						
24504920	130-1780						

Water Pump Interchange List - OE Numbers

Their No.	Our No.	Their No.	Our No.	Their No.	Our No.	Their No.	Our No.
Acura		89017467	130-1840	4781 157AA	120-4230	YS4Z 8501-AA	125-5980
19200-P5A-004	135-2360	89018166	130-7340	4792 195	120-1350	YW7Z 8501-BB	125-5970
19200-P8A-A01	135-2380			4792 838AA	120-7150		
19200-P8A-A02	135-2380	Chevrolet		4792 968AD	120-7170	GMC	
19200-P8A-A02/3	135-2380	10048949	130-1480	4884 159AA	120-4220	12456113	130-7340
19200-P8A-A03	135-2380	10174858	130-1480	4892 225AA	120-4190	12458935	130-7340
19200-PNA-003	135-1520	12369537	130-7290	5010964AA/AB	120-3072	12522036	130-1820
19200-PR7-A02	135-2085	12371989	130-1480	5086 959AA	120-3072	12528917	130-1820
19200-PR7-A03	135-2085	12456113	130-7340	5138 057AA	120-7220	12532528	130-1820
19200-PRB-A01	135-1510	12458934	130-7290	5302 0873AB	120-4350	12566029	130-5130
19200-RBB-013	135-1500	12458935	130-7340	5302 0873AC	120-4350	12618472	130-5130
19200-RCA-A01	135-1530	12482903	130-1780	5302 1187AA	120-4350	12620226	130-2050
19200-RDM-A01	135-1530	12518295	130-1480	5302 1380AG	120-4370	24576952	130-7700
19200-RDM-A02	135-1530	12528917	130-1820	5302 1380AK	120-4370	88893906	130-7260
19200-RDV-J01	135-1530	12532528	130-1820	5302 1380AL	120-4370	89017439	130-7340
		12537829	130-1780	5302 2058AA	120-4350	89017693	130-7260
		12585226	130-7350	5302 2189AB	120-4350	89017748	130-1820
Audi		12591894	130-7350	5302 2189AC	120-4350	89017771	130-7260
022 121 011	180-9020	12618472	130-5130	MD973025	148-1510	89018166	130-7340
06A 121 011 L	180-2220	12620226	130-2050	MD976464	148-2330	97216136	130-5980
06A 121 011 T	180-2220	24439798	130-7350	MD976943	148-2330		
06A 121 011 TX	180-2220	24467301	130-7350	MD977705	148-1510		
06A 121 012 X	180-2220	24576952	130-7700	MD978743	148-1510		
06C 121 004 H	180-9010	88893906	130-7260			Honda	
06C 121 004 HX	180-9010	88894290	130-7340	Eagle		19200-P8A-A02	135-2380
077 121 004 F	180-2260	88894345	130-7290	4667 660	120-1300	19200-P8A-A03	135-2380
077 121 004 M	180-9120	89017269	130-1480			19200-PLM-A01	135-2420
077 121 004 N	180-2260	89017439	130-7340	Ford		19200-PNA-003	135-1520
077-121-004F/H	180-2260	89017456	130-7290	1F1Z 8501-AA	125-1820	19200-PNL-E01	135-1520
078 121 004 J	180-2120	89017693	130-7260	1L2Z 8501-BB	125-5990	19200-RAA-A01	135-1500
078 121 004 L	180-2120	89017748	130-1820	1L3Z 8501-BA	125-6010	19200-RAD-003	135-1500
078 121 004 Q	180-2120	89017757	130-9660	1S7Z 8501-AK	125-6000	19200-RCA-A01	135-1530
078 121 006	180-2120	89017771	130-7260	1W9Z 8501-AA	125-6030	19200-RDM-A01	135-1530
078 121 006 A	180-2240	89018166	130-7340	2S7Z 8501-BG	125-1910	19200-RDM-A02	135-1530
078-121-004H	180-2120	89060479	130-9660	3C3Z 8501-ABRM	125-4130	19200-RDV-J01	135-1530
078-121-004H/J	180-2120	96352650	130-1920	3F2Z 8501-BB	125-1970	19200-RNA-A01	135-6980
078-121-006/X	180-2120	97216136	130-5980	3L3Z 8501-CA	125-6050	19210-PCX-003	135-2410
				4S4Z 8501-AA	125-6000	19210-PHM-010	135-2400
				5F9Z 8501-BB	125-9050	8-97167-554-0	140-1440
BMW		Chrysler		5L2Z 8501-A	125-5990	Hummer	
11 51 7 524 552	115-3100	1300 A011	148-1510	5R3Z 8501-A	125-5950	12620226	130-2050
11 51 7 527 910	115-3090	4663 732	120-4190	5W7Z 8501-AA	125-5970	24576952	130-7700
11 51 7 586 781	115-3100	4667 660	120-1300	6U7Z 8501-A	125-1970	88894290	130-7340
11 51 7 831 908	115-3110	4694 307	120-4220	7T4Z 8501-B	125-9060	89017439	130-7340
		4694 307AB	120-4220	E9JY-8501B	145-1350	89018166	130-7340
Buick		4694 307AC	120-4220	F59Z 8501-A	125-1850	Hyundai	
10048949	130-1480	4694 307AE	120-4220	F5DZ-8501A	125-1820	25100-23001	146-2020
12371989	130-1480	4781 157AA	120-4230	F63Z-8501AA	125-1910	25100-23001/2	146-2020
12482903	130-1780	4792 195	120-1350	F65Z 8501-AC	125-2101	25100-23002	146-2020
12518295	130-1480	4792 838AA	120-7150	F68Z 8501-A	125-1970	25100-23003	146-2020
12537829	130-1780	4792 968AD	120-7170	F6DZ 8501-FA	125-1820	25100-23010	146-2020
12566029	130-5130	4884 159AA	120-4220	F6ZZ-8501A	125-1940	25100-23020	146-2020
12618472	130-5130	4892 225AA	120-4190	F77Z 8501-AD	125-2102	25100-23021	146-2020
24576952	130-7700	5097 159AA	147-2250	F7UZ 8501-DA	125-5920	25100-23530	146-2020
89017269	130-1480	5302 1380AL	120-4370	F7ZZ 8501-AA	125-1940	25100-26015	146-1230
89017439	130-7340	5302 2189AB	120-4350	F81Z 8501-DA	125-5920	25100-26900	146-1230
89017757	130-9660	5302 2189AC	120-4350	F85Z 8501-AA	125-2101	25100-26902	146-1230
89018166	130-7340	MD973025	148-1510	F8DZ 8501-AA	125-1820	25100-37202	146-7310
89018214	130-7340	MD976464	148-2330	F8RZ 8501-EN	125-2100	25100-38200	146-1110
89060462	130-1780	MD976943	148-2330	F8RZ 8501-NE	125-2100	25100-39010	146-1130
89060479	130-9660	MD977705	148-1510	F8ZZ 8501-AA	125-1940		
		MD978743	148-1510	XF1Z 8501-AA	125-1820	Infiniti	
Cadillac		Dodge		XF2Z 8501-AA	125-1970	21010-31U25/6/7	150-1510
7490007	130-1840	1300 A011	148-1510	XL5Z 8501-AA	125-1850	21010-31U26	150-1510
10048949	130-1480	4429404	120-3072	XR3Z 8501-AA	125-5950	21010-31U27	150-1510
12458935	130-7340	4663 732	120-4190	XS2Z 8501-BC	125-1910	21010-31U28	150-1510
12487361	130-1840	4667 660/AB/AE	120-1300	XS2Z 8501-CC	125-1910	21010-7S000	150-9010
12529993	130-1840	4694 307	120-4220	XS2Z 8501-EA	125-1910	21010-AL525	150-2320
12532528	130-1820	4694 307AB	120-4220	XW4Z 8501-AA	125-6030	21010-AL526	150-2320
12566029	130-5130	4694 307AC	120-4220	YC3Z 8501-AA	125-5920	21010-AL527	150-2320
12618472	130-5130	4694 307AE	120-4220	YR3Z 8501-AB	125-5950	21010-AR725	150-9100
88894344	130-1840						
89017439	130-7340						

Water Pump Interchange List - OE Numbers

Their No.	Our No.	Their No.	Our No.	Their No.	Our No.	Their No.	Our No.
Isuzu		Mazda		MD978743	148-1510	89017757	130-9660
8-12532-528-0	130-1820	1F22-15-010	125-2102	MD978764	148-1510	89018214	130-7340
8-24576-952-0	130-7700	1F70-15-010	125-6000	MD979169	148-1510	89060462	130-1780
8-89017-439-0	130-7340	8AB5-15-010	145-1350	MD979171	148-1790	89060479	130-9660
8-97167-554-0	140-1440	8AB8-15-010	145-1350	MD979313	148-1780	92149009	130-5130
		8ABB-15-010	145-1390	MD979395	148-1780		
Jaguar		8ABB-15-010A	145-1390	MO4667660	120-1300	Porsche	
AJ84817	125-6040	AJ03-15-010B	125-1910			997 106 011 02	180-9110
AJ88417	125-6030	AJ03-15-010G	125-1910	Nissan			
C2A1206	125-6030	AJY1-15-010	125-1910	21010-31U25/6/7	150-1510	Saab	
JLM20143	125-6030	GY01-15-010B	125-1910	21010-31U26	150-1510	12 56 6029	130-5130
JLM20579	125-6030	L327-15-100	125-6000	21010-31U27	150-1510	12 62 0226	130-2050
JLM20915	125-6030	LF01-15-100	125-6000	21010-31U28	150-1510	24 46 7301	130-7350
		LF52-15-100	125-6000	21010-31U85	150-1510	24 57 6952	130-7700
Jeep		LF94-15-100	125-9250	21010-40F25	150-1400	32 00 5906	160-1150
4694 307AB	120-4220	YF09-15-100	125-2100	21010-7S000	150-9010	89 01 8166	130-7340
4694 307AC	120-4220	ZZM7-15-010	125-1850	21010-7Y025	150-2320	92 14 9009	130-5130
4694 307AE	120-4220	ZZR1-15-010	125-1850	21010-86G00	150-1400		
4792 838AA	120-7150			21010-8J000	150-2340	Saturn	
5012 366AA	120-4340	Mercedes-Benz		21010-AL525	150-2320	12566029	130-5130
5012 366AB	120-4340	111 200 42 01	147-2270	21010-AL526	150-2320	12585226	130-7350
5012 366AC	120-4340	112 200 14 01	147-2220	21010-AL527	150-2320	12591894	130-7350
5302 0873AB	120-4350	112 200 15 01	147-2250	21010-F461A	150-2340	12618472	130-5130
5302 0873AC	120-4350	113 200 01 01	147-9050	21010-F462A	150-2340	24467301	130-7350
5302 1187AA	120-4350	271 200 02 01	147-9060			89017269	130-1480
5302 2189AB	120-4350	613 200 09 01	147-9070	Oldsmobile		89017757	130-9660
5302 2189AC	120-4350			10048949	130-1480	89060479	130-9660
		Mercury		12371989	130-1480		
Kia		1F1Z 8501-AA	125-1820	12482903	130-1780	Subaru	
OK247-15-010A	143-2001	1L2Z 8501-BB	125-5990	12487361	130-1840	21110 AA360	160-2070
OK247-15-010B	143-2001	2S7Z 8501-BG	125-1910	12518295	130-1480	21111 AA003	160-1120
25100-23021	146-2020	3F2Z 8501-BB	125-1970	12528917	130-1820	21111 AA007	160-1120
25100-26902	146-1230	4S4Z 8501-AA	125-6000	12529993	130-1840	21111 AA026	160-1150
25100-2X401	145-1350	5F9Z 8501-BB	125-9050	12532528	130-1820	21111 AA110	160-1120
25100-2Y010	143-2001	5L2Z 8501-A	125-5990	12537829	130-1780	21111 AA230	160-2080
25100-2Y011	143-2001	5W7Z 8501-AA	125-5970	12591894	130-7350	21111 AA240	160-1150
25100-37102	146-2040	6U7Z 8501-A	125-1970	24439798	130-7350		
25100-37201	146-2040	E9JY-8501B	145-1350	24467301	130-7350	Suzuki	
25100-37202	146-7310	F5DZ-8501A	125-1820	24576952	130-7700	17400-77810	165-2001
25100-38002	146-1110	F6DZ-8501-FA	125-1820	7490007	130-1840	17400-77812	165-2001
25100-38200	146-1110	F6ZZ-8501A	125-1940	89017269	130-1480	17400-85830	165-1200
25100-39010	146-1130	F77Z-8501-AD	125-2102	89017467	130-1840		
25100-39800	146-1240	F8AZ-8501AA	125-1820			Toyota	
25100-39802	146-1240	F8DZ-8501-AA	125-1820	Plymouth		16100-09070	170-1920
		F8RZ-8501-EN	125-2100	4667660	120-1300	16100-09170	130-7360
Land Rover		F8RZ-8501-NE	125-2100	4667 660	120-1300	16100-09440	170-7370
457 5902	125-6030	XF1Z-8501-AA	125-1820	4694 307	120-4220	16100-09470	170-3940
PEB 102240L	144-2040	XS2Z-8501-BC	125-1910	4694 307AB	120-4220	16100-0H010	170-2470
STC 4378	144-2001	XS2Z-8501-CC	125-1910	4792 195	120-1350	16100-28040	170-2470
STC 4434	144-2001	XS2Z-8501BC	125-1910			16100-28041	170-2470
STC1693	144-2001	YW7Z-8501-BB	125-5970	Pontiac		16100-29085	170-1920
				10048949	130-1480	16100-29145	170-2400
Lexus		Mini		10174858	130-1480	16100-29146	170-2400
16100-09440	170-7370	11 51 7 513 062	148-1780	12371989	130-1480	16100-29155	170-2101
16100-29085	170-1920			12458934	130-7290	16100-29156	170-2101
16100-50020/2	170-1840	Mitsubishi		12482903	130-1780	16100-29175	130-7360
16100-50022/30	170-1840	1300A011	148-1510	12518295	130-1480	16100-29415	130-7360
16100-59275	170-1840	1300A012	148-1510	12537829	130-1780	16100-39405	170-3940
16110-49155	170-2380	1300A066	148-2330	12566029	130-5130	16100-59275	170-1840
16110-49156	170-2380	5302 2058AA	120-4350	12585226	130-7350	16100-69395	170-1970
		5302 2189AB	120-4350	12591894	130-7350	16100-69395/6/7	170-1970
Lincoln		5302 2189AC	120-4350	12618472	130-5130	16100-69397	170-1970
2R8Z 8501-AE	125-6040	MO4667660	120-1300	24439798	130-7350	16100-69398-83	170-1970
3L3Z 8501-CA	125-6050	MD309756	148-2280	24467301	130-7350	16100-69398-83	170-2103
5W7Z 8501-AA	125-5970	MD973025	148-1510	88894344	130-1840	16100-69405	170-2103
7T4Z 8501-B	125-9060	MD973162	148-1510	88972167	130-7360	16100-69407	170-2103
XW4Z 8501-AA	125-6030	MD976464	148-2330	88972819	170-2400	16100-69408	170-2103
YW7Z 8501-BB	125-5970	MD976943	148-2330	88973887	130-7360	16100-69535	170-2103
		MD977503	148-1790	89017269	130-1480		
		MD977705	148-1510	89017456	130-7290		
		MD978741	148-1510	89017593	130-7290		